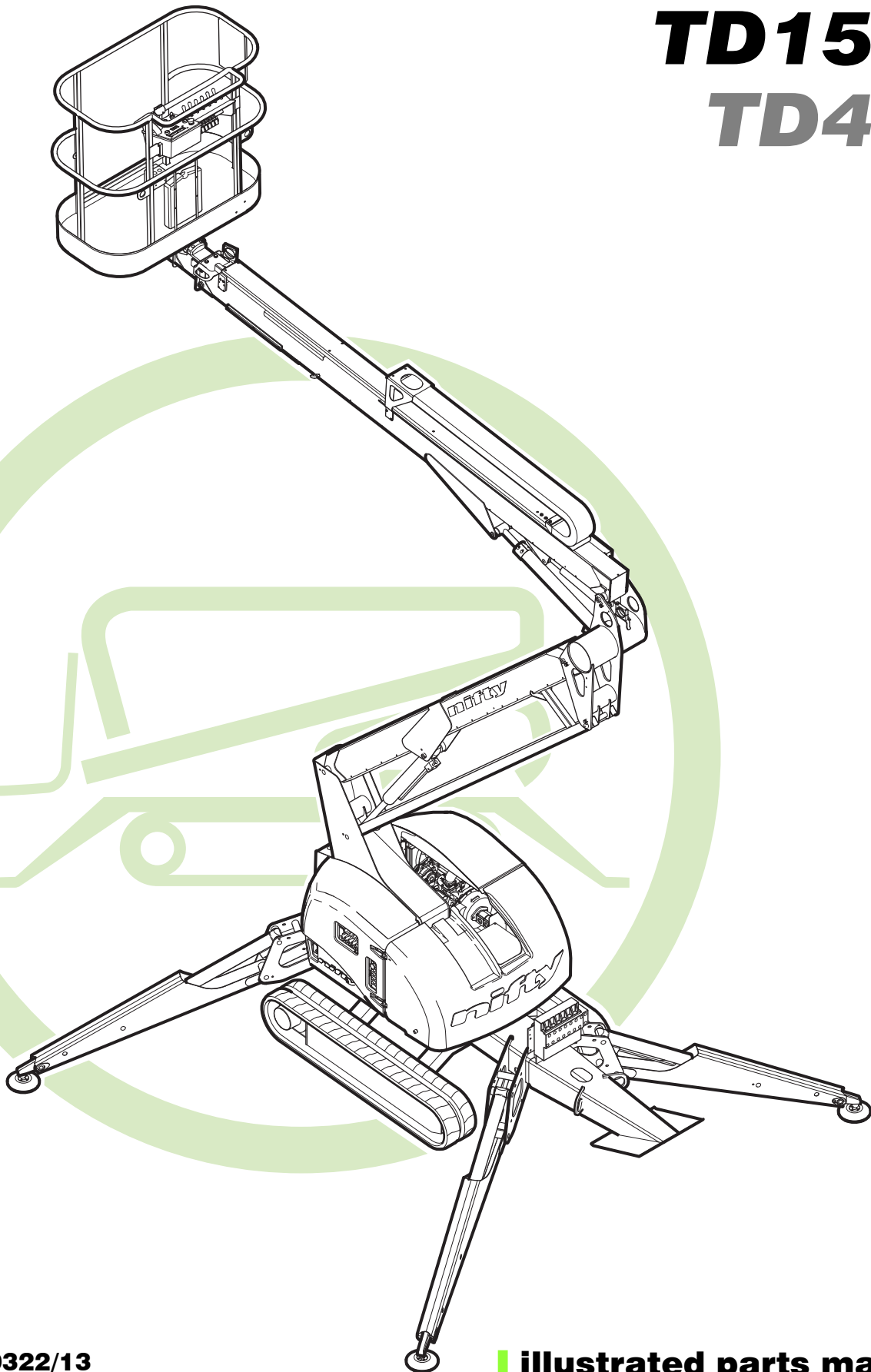




nifty

TD150T **TD42T**



niftylift.com

M50322/13



Issue 13
(June 2023)

illustrated parts manual

Manuel illustré de pièces détachées

Illustrierte Stückliste

Manual de piezas ilustrado

Please Note, at the time of going to press, all information, illustrations details and descriptions contained herein are valid. Niftylift reserves the right to change, alter, modify or improve its products without any obligation to install them on previously manufactured machines.

Readers of this manual requiring further information should contact us at:

Niftylift Ltd.
Fingle Drive
Stonebridge
Milton Keynes
MK13 OER
United Kingdom

Niftylift Inc.
1525 S.Buncombe Road
Greer
SC 29651
USA

Tel +44 (0)1908 857899
 Fax +44 (0)1908 227460

1 864 968 8881
 1 864 968 8836

Ordering of Parts

When ordering a replacement part for your Niftylift product, please state the following:

- Machine Model and Serial number Niftylift Part number
- Full description of the part Quantity required
- Purchase Order number Destination address

Machine Information

Model number Date of Purchase
 Serial number

Veuillez noter qu'au moment de la mise sous presse, l'ensemble des informations, illustrations, détails et descriptions, contenus dans le présent document, sont valides. Niftylift se réserve le droit de changer ou d'améliorer ses produits sans obligation de montage sur les anciennes machines.

Pour toutes informations supplémentaires, veuillez nous contacter à:

Niftylift Ltd.
Fingle Drive
Stonebridge
Milton Keynes
MK13 OER
United Kingdom

Niftylift Inc.
1525 S.Buncombe Road
Greer
SC 29651
USA

Tel +44 (0)1908 857899
 Fax +44 (0)1908 227460

1 864 968 8881
 1 864 968 8836

Commande de pièces

Lors de la commande de pièces de rechange pour votre machine Niftylift, veuillez indiquer ce qui suit:

- Modèle et numéro de série de la machine Référence de la pièce Niftylift
- Description complète de la pièce Quantité requise
- Numéro de commande Adresse de destination

Informations relatives à la machine

Numéro de modèle Date d'achat
 Numéro de série



Bitte nehmen Sie zur Kenntnis, dass alle hierin enthaltenen Informationen, Illustrationen und Beschreibungen zum Zeitpunkt des Drucks gültig sind. Niftylift behält sich das Recht vor, Produkte zu wechseln, ändern, modifizieren und zu verbessern, ohne verpflichtet zu sein, sie an früher gefertigten Maschinen zu installieren.

Wenn Leser dieser Anleitung weitere Informationen benötigen, wenden sie sich bitte an uns unter:

Niftylift Ltd.
Fingle Drive
Stonebridge
Milton Keynes
MK13 OER
Großbritannien

Niftylift Inc.
1525 S.Buncombe Road
Greer
SC 29651
USA

Tel +44 (0)1908 857899
 Fax +44 (0)1908 227460

1 864 968 8881
 1 864 968 8836

Bestellen von Ersatzteilen

Bei der Bestellung eines Ersatzteils für Ihr Produkt von Niftylift geben Sie bitte folgende Einzelheiten an:

- Maschinenmodell und Seriennummer Niftylift Art.-Nr.
- Ausführliche Beschreibung des Teils Erforderliche Menge
- Bestellnummer Bestimmungsadresse

Maschineninformationen

Modellnummer Kaufdatum.....
 Seriennummer.....

Por favor, observe que en el momento de pasar a imprenta, toda la información, ilustraciones y descripciones contenidas en el presente documento eran válidas. Niftylift se reserva el derecho de cambiar, alterar, modificar o mejorar sus productos, sin obligación alguna de instalar dichos cambios en máquinas fabricadas anteriormente.

Los usuarios de este manual que requieran más información, deberán ponerse en contacto con nosotros en:

Niftylift Ltd.
Fingle Drive
Stonebridge
Milton Keynes
MK13 OER
United Kingdom

Niftylift Inc.
1525 S.Buncombe Road
Greer
SC 29651
USA

Tel +44 (0)1908 857899
 Fax +44 (0)1908 227460

1 864 968 8881
 1 864 968 8836

Pedido de piezas

Al realizar el pedido de una pieza de recambio para su producto Niftylift, sírvase especificar lo siguiente:

- Modelo y número de serie de la máquina Número de pieza Niftylift
- Descripción completa de la pieza Cantidad requerida
- Número de orden de compra Dirección de destino

Información de la máquina

Número de modelo Fecha de compra.....
 Número de serie.....



Parts Order Form (make copies for use)

niftylift

Bon de commande de pièces (Faire des photocopies pour vos commandes ultérieures)

tel +44 (0)1908 857899

Bestellformular für Ersatzteile (bitte Kopien zur zukünftigen Verwendung machen)

fax +44 (0)1908 227460

Impreso de pedido de piezas (haga copias para el uso)

www.niftylift.com

name nom name nombre

date date datum fecha

address adresse adresse dirección

delivery address

adresse de livraison

lieferadresse

dirección de entrega

telephone téléphone tel.-Nr. teléfono

purchase order number

numéro de commande

bestellnummer

número de orden de compra

fax fax-Nr.

email e-mail

Part Number Référence pièce Art.-Nr. Número de pieza	description description beschreibung descripción	quantity quantité menge cantidad	price prix preis precio
P			
P			
P			
P			
P			
P			
P			
P			

Note: If items have decals/labels attached, these are **not included** (unless stated otherwise), they must be ordered separately using the part (P) number printed on the decal.

Remarque: si les composants sont dotés d'autocollants/étiquettes, ceux-ci **ne sont pas inclus** (sauf avis contraire). Ils doivent être commandés séparément en indiquant le numéro de référence (P) imprimé sur l'autocollant.

Anmerkung: Wenn an Gegenständen Klebbilder/Etiketten angebracht sind, sind diese (sofern nicht anders angegeben) **nicht enthalten** und müssen separat mit Hilfe der auf den Klebbildern abgedruckten Teilenummern (P) bestellt werden.

Nota: Si los artículos llevan acopladas calcomanías/etiquetas, éstas **no se incluirán** (a menos que se indique lo contrario); deberán pedirse por separado utilizando el número de pieza (P) impreso en la calcomanía.

Alternatively, details of your order can be emailed to **service@niftylift.com**

Alternativement, le détail de votre commande peut nous être envoyé par email à **service@niftylift.com**

Als Alternative können Sie Ihre Bestellung auch an **service@niftylift.com** senden

Alternativamente, los detalles de su pedido pueden enviarse por e-mail a **service@niftylift.com**

1	chassis
	page
1.1	Base assembly..... 1-2
1.2	Stabiliser assembly..... 1-4
1.3	Button box assembly 1-6
2	power tray
	page
2.1	Superstructure assembly..... 2-2
2.2	Diesel engine - Part 1..... 2-8
2.3	Diesel engine - Part 2..... 2-10
2.4	Slew assembly..... 2-12
2.5	Boom rest assembly 2-14
2.6	Control valve (4 spool) 2-16
2.7	Button box assembly 2-18
2.8	Control box assembly 2-20
2.9	Anderson connector 2-22
3	boom assemblies
	page
3.1	Boom 1 assembly..... 3-2
3.2	Telescopic boom assembly 3-6
3.3	Lift cylinder..... 3-8
3.4	Levelling cylinders 3-10
3.5	Telescope cylinder..... 3-12
3.6	Levelling valve..... 3-14
4	cage
	page
4.1	Cage assembly..... 4-2
4.2	Cage assembly (Fibreglass) 4-4
4.3	Cage weigh assembly 4-6
4.4	Control panel assembly 4-8
4.5	Control valve (5 spool) 4-10
5	labelling
	page
5.1	Label locations..... 5-2

Figures		page
1.1	Base assembly	1-3
1.2	Stabiliser assembly	1-5
1.3	Button box assembly	1-7
2.1	Superstructure assembly	2-3
2.2	Diesel engine - Part 1	2-9
2.3	Diesel engine - Part 2	2-11
2.4	Slew assembly	2-13
2.5	Boom rest assembly	2-15
2.6	Control valve (4 spool)	2-17
2.7	Button box assembly	2-19
2.8	Control box assembly	2-21
2.9	Anderson coonector	2-23
3.1	Boom 1 assembly.....	3-2
3.2	Telescopic boom assembly	3-6
3.3	Lift cylinder	3-8
3.4	Levelling cylinders.....	3-10
3.5	Telescope cylinder	3-12
3.6	Levelling valve	3-14
4.1	Cage assembly.....	4-3
4.2	Cage assembly (Fibreglass)	4-5
4.3	Cage weigh assembly.....	4-7
4.4	Control panel assembly	4-9
4.5	Control valve (5 spool)	4-11
5.1	Label locations	5-10
5.2	Labels (1-31).....	5-11
5.3	Labels (32-47)	5-12

table des matières
 inhaltsverzeichnis
 tabla del contenido



Issue Records

Chapter	Pages	Issue	Date	Comments/Changes
Introduction	8	13	06/2023	Thirteenth issue
1	8	4	06/2023	Revisions on page 1-1
2	24	10	06/2023	Revisions on page 2-1, 2-4, 2-5
3	16	4	06/2023	Revisions on page 3-1
4	12	5	06/2023	Revisions on page 4-1
5	12	3	06/2023	Revisions on page 5-1

* When ordering parts for machines other than the stated serial number, it is advisable to contact the Parts Department;

United Kingdom

Tel **+44 (0)1908 857899**
Fax **+44 (0)1908 227460**
Email **service@niftylift.com**

USA

1 864 968 8881
1 864 968 8836
niftyusa@niftylift.com

table des matières
inhaltsverzeichnis
tabla del contenido

contents

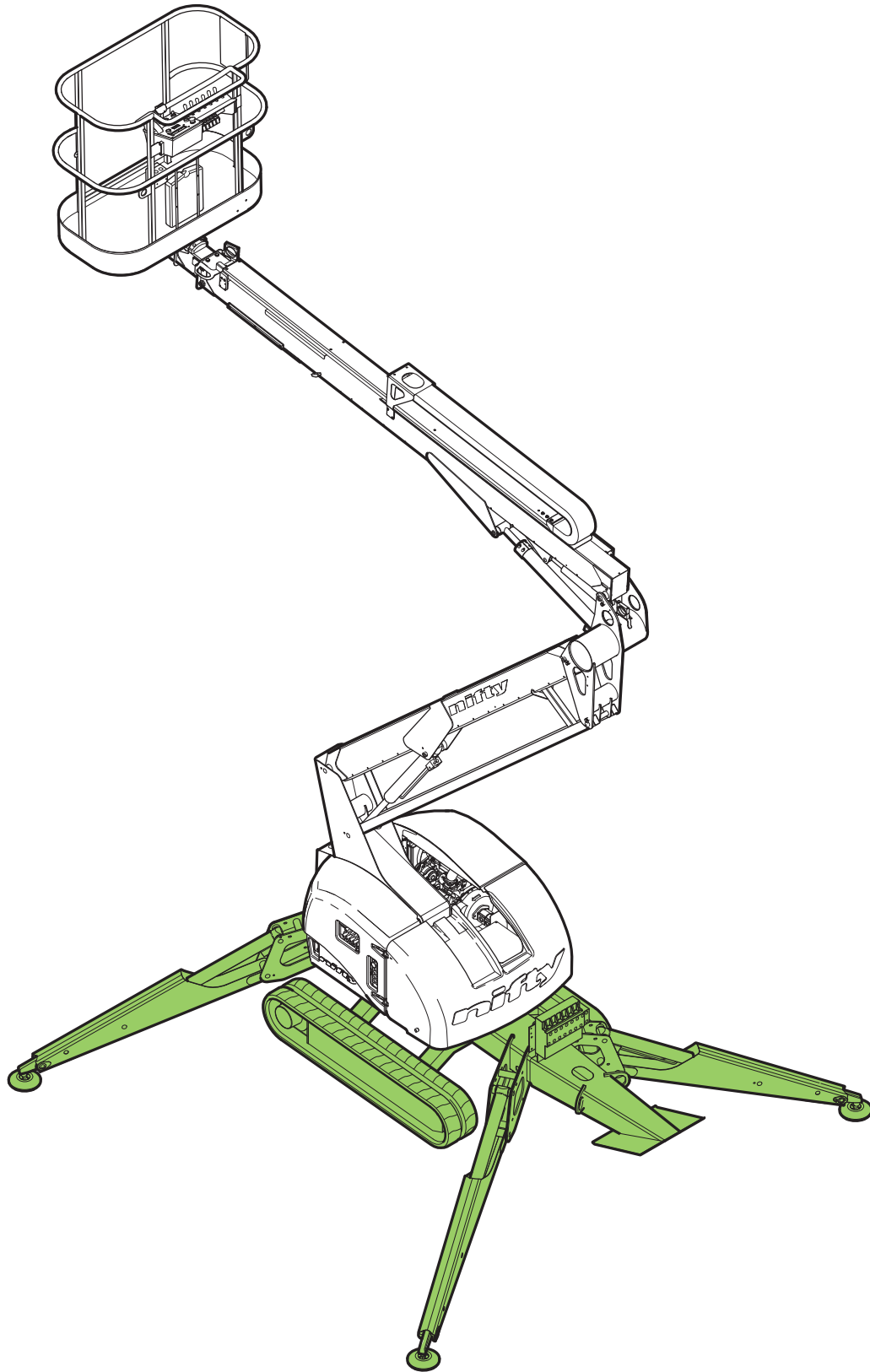
viii



nifty

TD150T (TD42T)

illustrated parts manual
Manuel illustré de pièces détachées
Illustrierte Stückliste
Manual de piezas ilustrado



1

chassis assembly

french
german
spanish



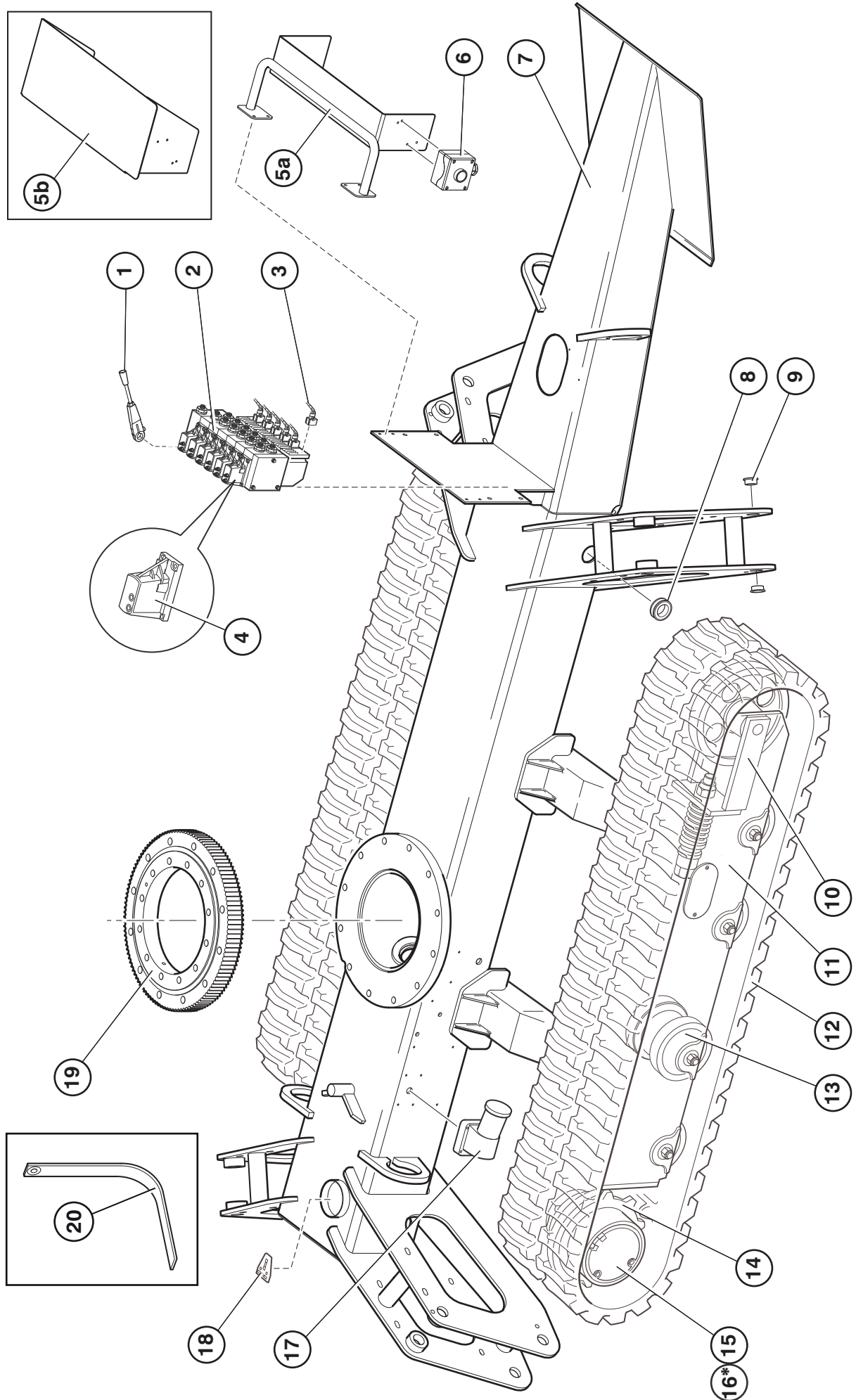
1.1 Base assembly

Item	Description				Part Number
1	Lever				P17935
2	Valve block				P19787
3	Amp connector				P16551
4	Lever Cap				P27221
5	Guard rail a) b) USA				P29308 P27797
6	Button box See "Button box assembly" on page 1-6				N/A
7	Base fabrication				P19417
8	Grommet				P11283
9	Bush				P12863
10	Idle roller				P17185
11	Track drive unit - Complete assembly				P19411
12	Rubber track				P24991
13	Lower roller				P17187
14	Sprocket wheel				P24989
15	Gearbox assembly				P24990
16 *	Seal kit for item 15				P20859
17	Socket inlet - 240v 110v				P10443
18	Spirit level				P10228
19	Slew gear wheel				P16817
20	Earth strap				P14430
21 *	Tensioner device valve Seal kit				P17186 P19367

* Not illustrated

french
german
spanish

chassis assembly



french
german
spanish

chassis assembly

Figure 1.1 Base Assembly

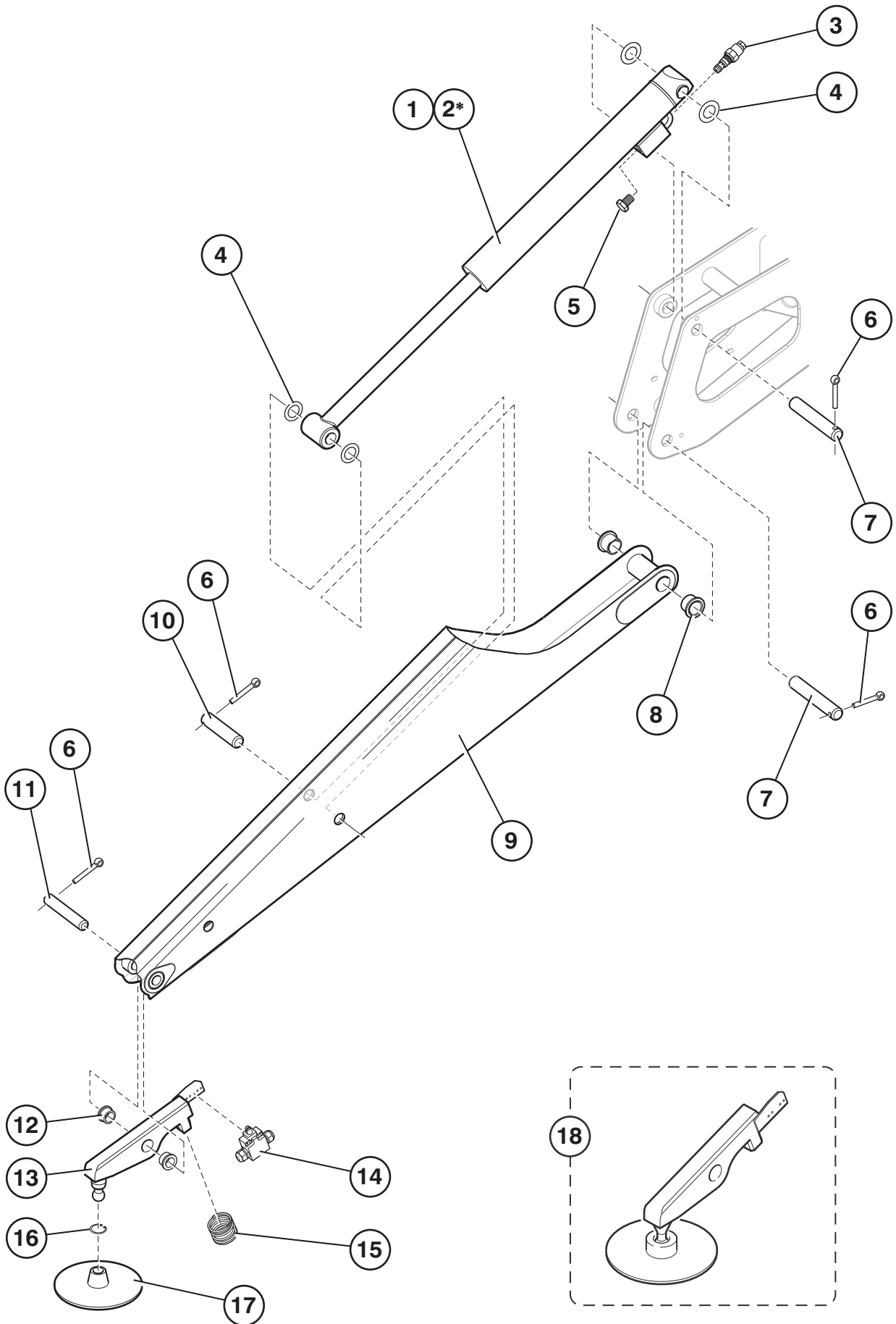
1.2 Stabiliser assembly

Item	Description				Part Number
1	Cylinder				P17389
2 *	Seal kit for item 1				P18466
3	Load valve				P11956
4	Plastic washer				P10511
5	Valve (cartridge)				P17317
6	Swing bolt				P15966
7	Pin - 175mm				P15953
8	Bush				P12651
9	Stabiliser				P17467
10	Pin - 130mm				P15639
11	Pin - 146mm				P12955
12	Bush				P12298
13	Rocker arm				P17346
14	Micro switch				P18937
15	Spring				P12297
16	Spring clip				P18113
17	Swivel foot				P17345
18	Rocker arm assy. (Includes items 13, 16 and 17)				P17463

* Not illustrated

french
german
spanish

chassis assembly



french
german
spanish

chassis assembly

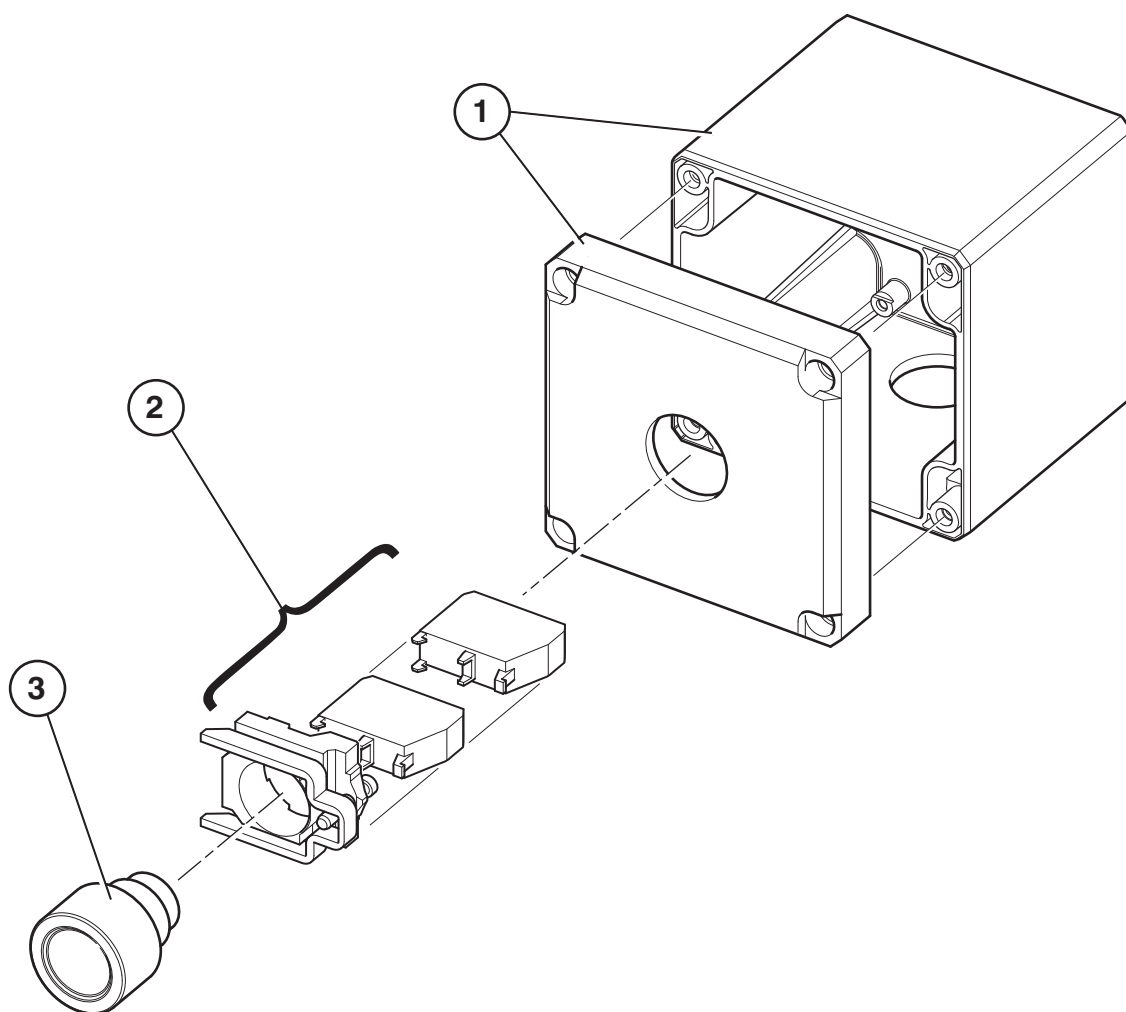
Figure 1.2 Stabiliser assembly

1.3 Button box assembly

Item	Description				Part Number
1	Button box - 1 hole				P28427
2	Base, switch Contact NO NC				P24322 P24323 P24324
3	Button - Green (Includes boot) Boot ONLY				P24329 P24332

french
german
spanish

chassis assembly



french
german
spanish

chassis assembly

1-7

Figure 1.3 Button box assembly



nifty

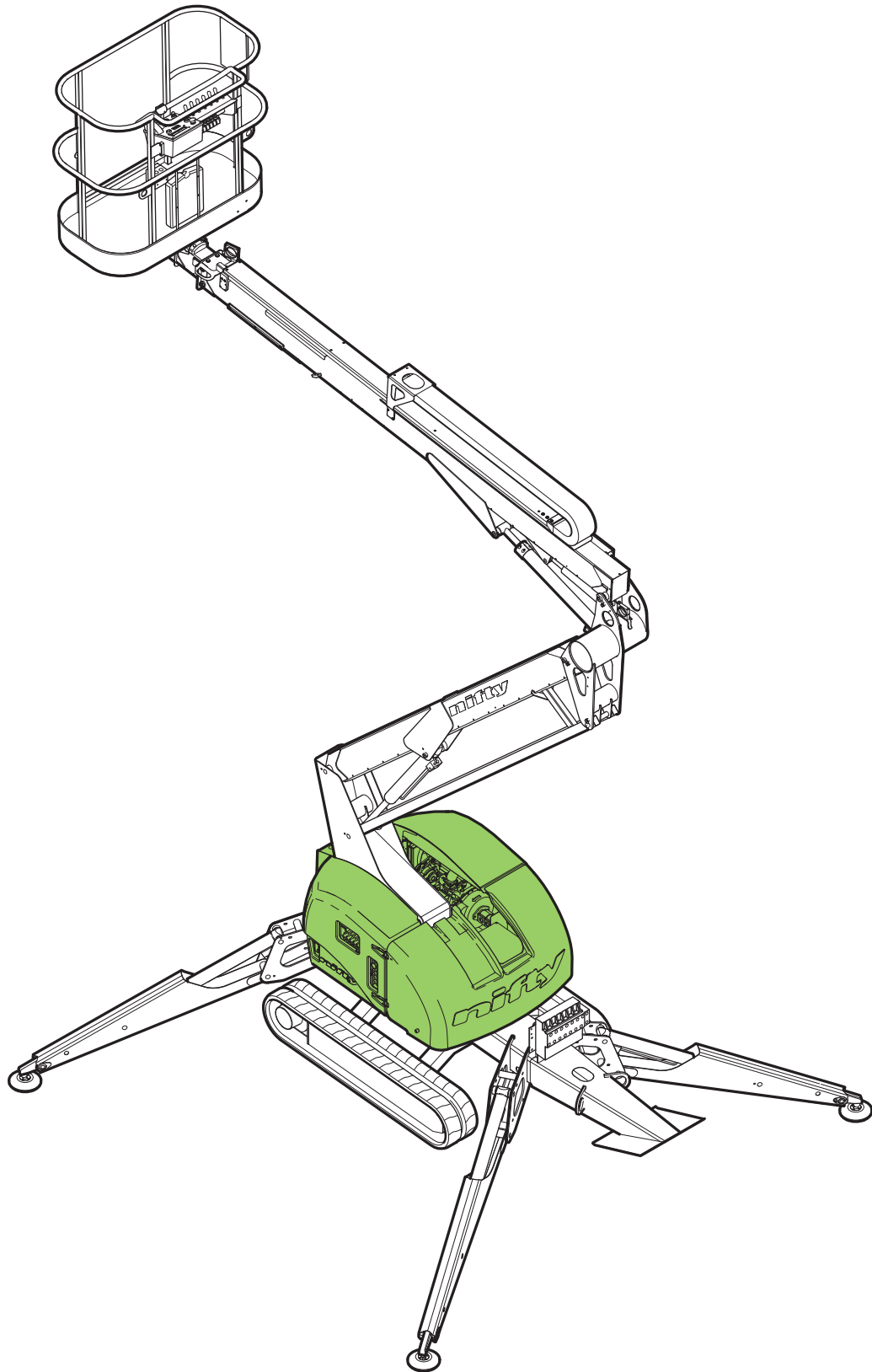
TD150T (TD42T)

illustrated parts manual

Manuel illustré de pièces détachées

Illustrierte Stückliste

Manual de piezas ilustrado



2



superstructure

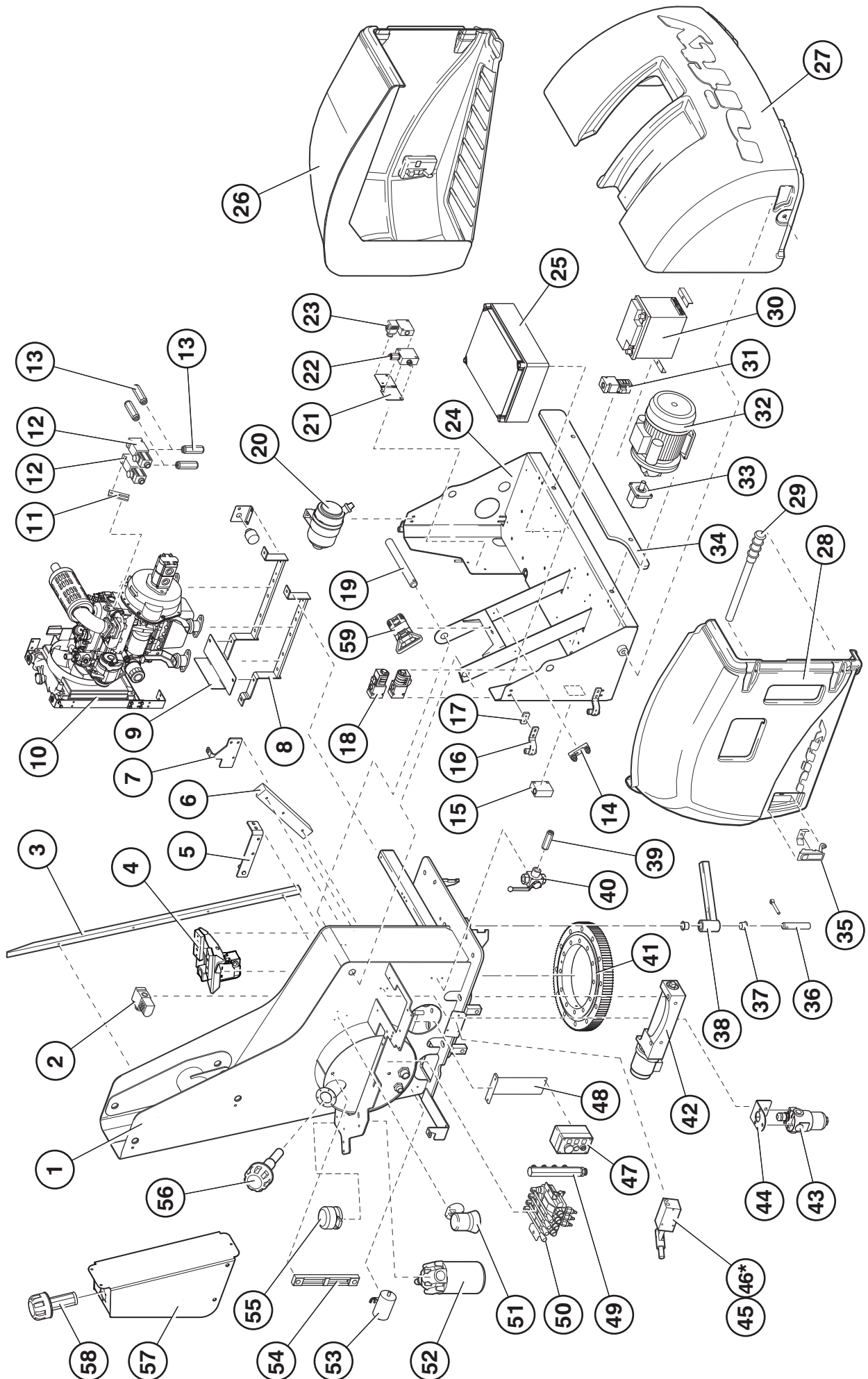
french
german
spanish

2.1 Superstructure assembly

Item	Description				Part Number
1	Boom 1				P29422
2	Wearstrip				P17716
3	Solenoid valve assy. Coil ONLY				P10132 P70354
4	Boom Rest Assy. <i>See "Boom rest assembly" on page 2-14</i>				N/A
5	Docking Plate				P18490
6	Wearstrip				P17725
7	Latch plate				P29426
8	Support bracket				P19530
9	Guard				P29325
10	Engine assembly <i>See "Diesel engine - Part 1" on page 2-8</i>				N/A
11	Strut				P30226
12	Solenoid valve				P26939
13	Non return valve 1/2 inch				P16203
14	Fuse - 125A Fuse holder				P12696 P24708
15	Shuttle valve				P17813
16	Lug - Battery canopy				P17810
17	Backplate				P25123
18	Solenoid valve Coil ONLY				P10132 P70354
19	Pin - 280mm				P17416
20	Element - Air filter				P17809
21	Support plate				P19173
22	Pressure reducing valve				P12577
23	Direction control valve				P17833
24	Battery tray				P29404

french
german
spanish

superstructure



french
german
spanish

superstructure

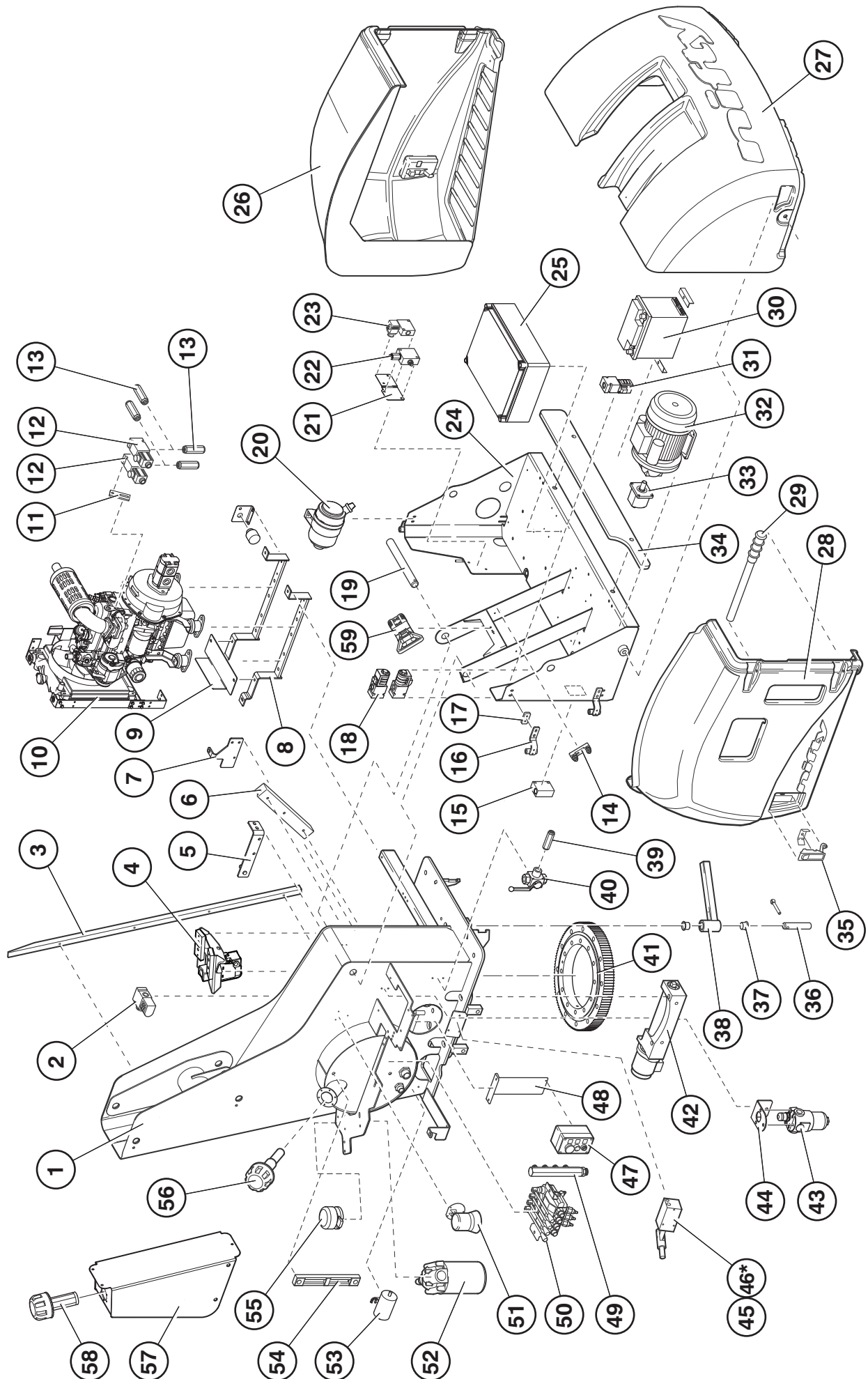
Figure 2.1 Superstructure Assembly

2.1 Continued

Item	Description				Part Number
25	Control box assy See "Control box assembly" on page 2-20				P16769
26	Canopy - Engine				P23102
27	Canopy - Front				P35655
28	Canopy - Control				P23101
29	Handle - Hand pump				P10624
30	Battery Battery clamp				P11975 P12295
31	Dump valve Coil ONLY				P26939 P27695
32	Power pack 110v 240v Run capacitor				P33650 P37282 P30749
33	Pump				P17316
34	Ballast plate X1 with Fibreglass cage WITHOUT Removeable Control Panel x4 with Fibreglass cage WITH Removeable Control Panel				P36071
35	Latch - Canopy				P17480
36	Pin - 120mm				P15687
37	Bush				P12250
38	Slew stop				P16941
39	Non-return valve 1/4"				P10107
40	Diverter valve Lever ONLY				P10702 P14397
41	Slew ring				P16817
42	Worm assembly See "Slew assembly" on page 2-12				P29150
43	Pressure filter Element ONLY Condition indicator				P28561 P28924 P24945

french
german
spanish

superstructure



french
german
spanish

superstructure



2-5

Figure 2.1 Superstructure assembly

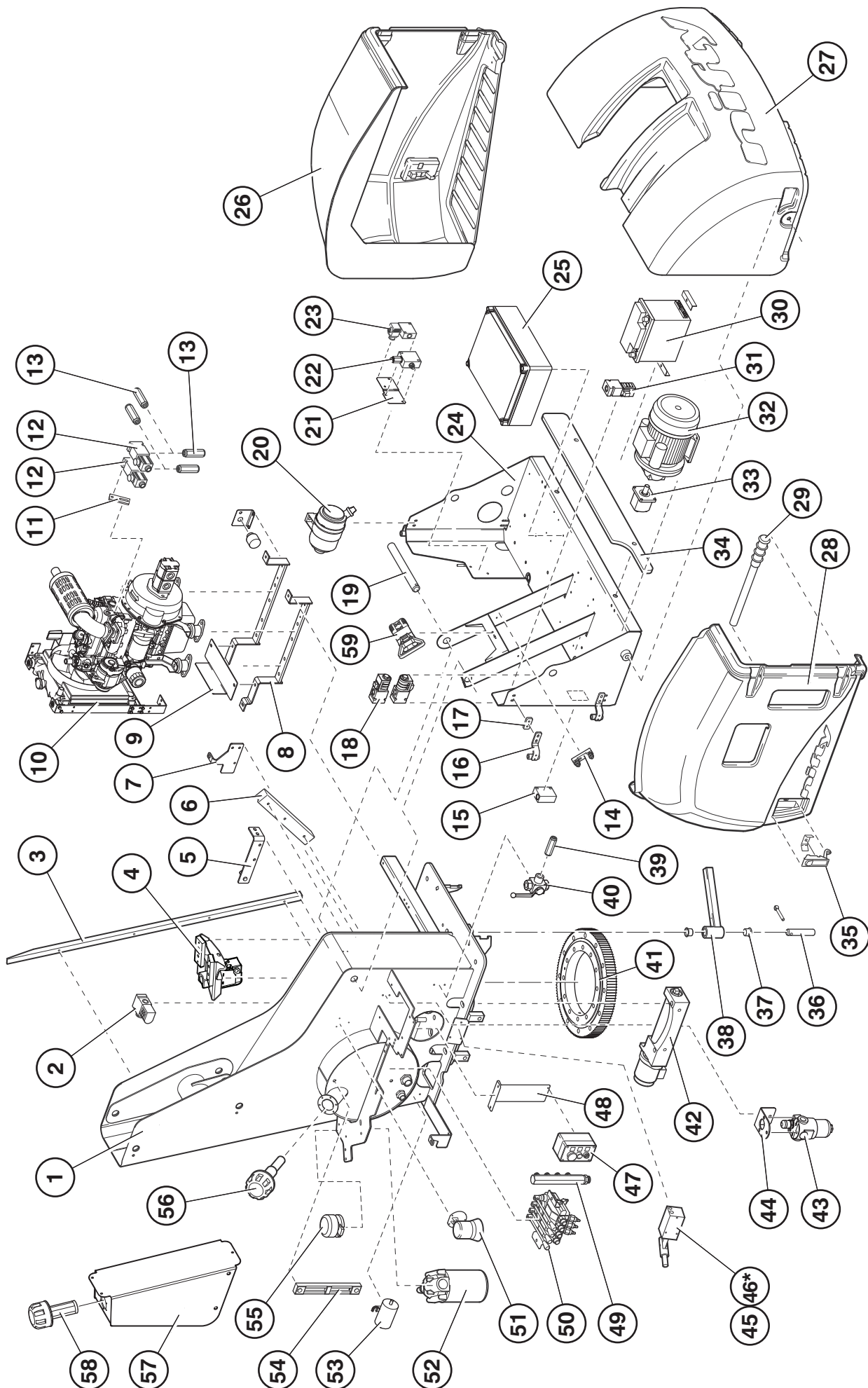
2.1 Continued

Item	Description				Part Number
44	Bracket				P26326
45	Hand pump				P22570
46*	Seal kit for item 45				P22605
47	Button box See "Button box assembly" on page 2-18				N/A
48	Plate - Button box				P35919
49	Multi-port fitting				P17337
50	Control valve See "Control valve (4 spool)" on page 2-16				P17844
51	Siren				P11113
52	Hydraulic oil filter & bowl assembly Cartridge ONLY				P12780 P13937
53	Fuel pump				P11797
54	Level gauge				P13252
55	Tilt sensor USA				P36454 P19841
56	Filler cap				P16464
57	Diesel tank				P20015
58	Filler breather				P13437
59	Anderson connector See "Anderson connector" on page 2-22				N/A

* Not illustrated

french
german
spanish

superstructure



french
german
spanish

superstructure



Figure 2.1 Superstructure assembly

2.2 Diesel engine - Part 1

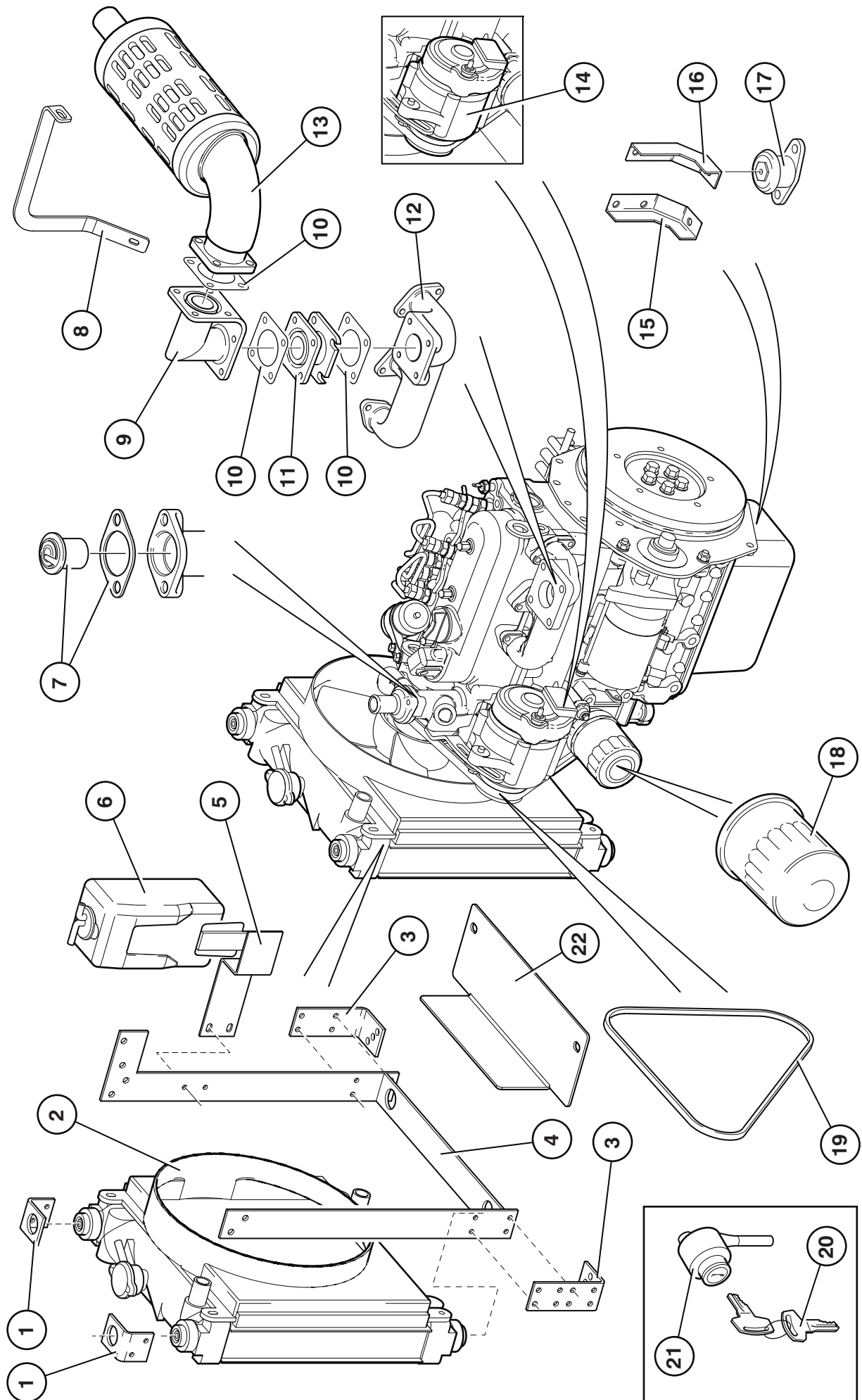
Item Description Part Number

Item	Description	Part Number
	Diesel engine - D722	P35897
1	Upper bracket	P19240
2	Radiator assembly	P19494
3	Lower bracket	P19242
4	Bracket - Radiator	P19239
5	Bracket - Bottle	P19247
6	Expansion bottle Filler cap ONLY	P19270 P24941
7	Thermostat and gasket	P14620
8	Support bracket	P25133
9	Diverter	P15720
10	Muffler gasket	P13282
11	Exhaust spacer	P22607
12	Exhaust manifold	P16694
13	Muffler assembly	P23919
14	Alternator	P26974
15	Bracket - Engine mount LH Rear, RH Front	P12185
16	Bracket - Engine mount RH Rear, LH Front	P12825
17	Engine mounting	P14484
18	Oil filter cartridge	P13285
19	V-belt	P13281
20	Starter key (Pair)	P11646
21	Starter switch assembly	P14428
22	Guard	P29325
23*	Fan assembly (5 blade)	P23327

* Not illustrated

french
german
spanish

superstructure



french
german
spanish

superstructure

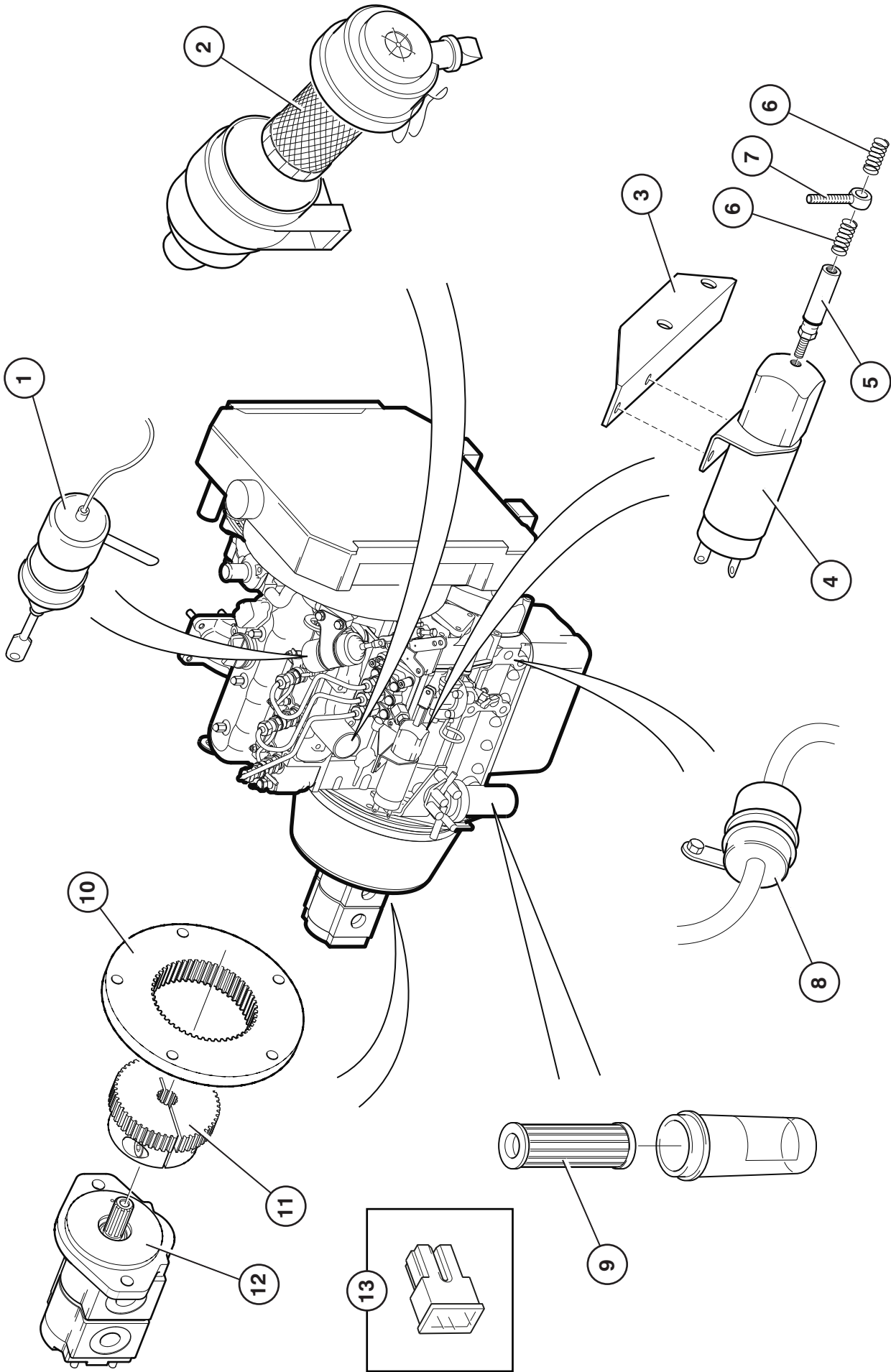
Figure 2.2 Diesel engine (1)

2.3 Diesel engine - Part 2

Item	Description				Part Number
1	Stop solenoid				P13371
2	Air filter				P17809
3	Bracket				P12571
4	Throttle solenoid				P12972
5	Swivel				P29536
6	Spring				P33081
7	Eye bolt				P33080
8	In-line fuel filter				P13324
9	Fuel filter				P13339
10	Drive flange				P20282
11	Drive hub				P20283
12	Pump assembly Seal Kit				P19154 P21150
13	Fuse - 50A				P34818

french
german
spanish

superstructure



french
german
spanish

superstructure

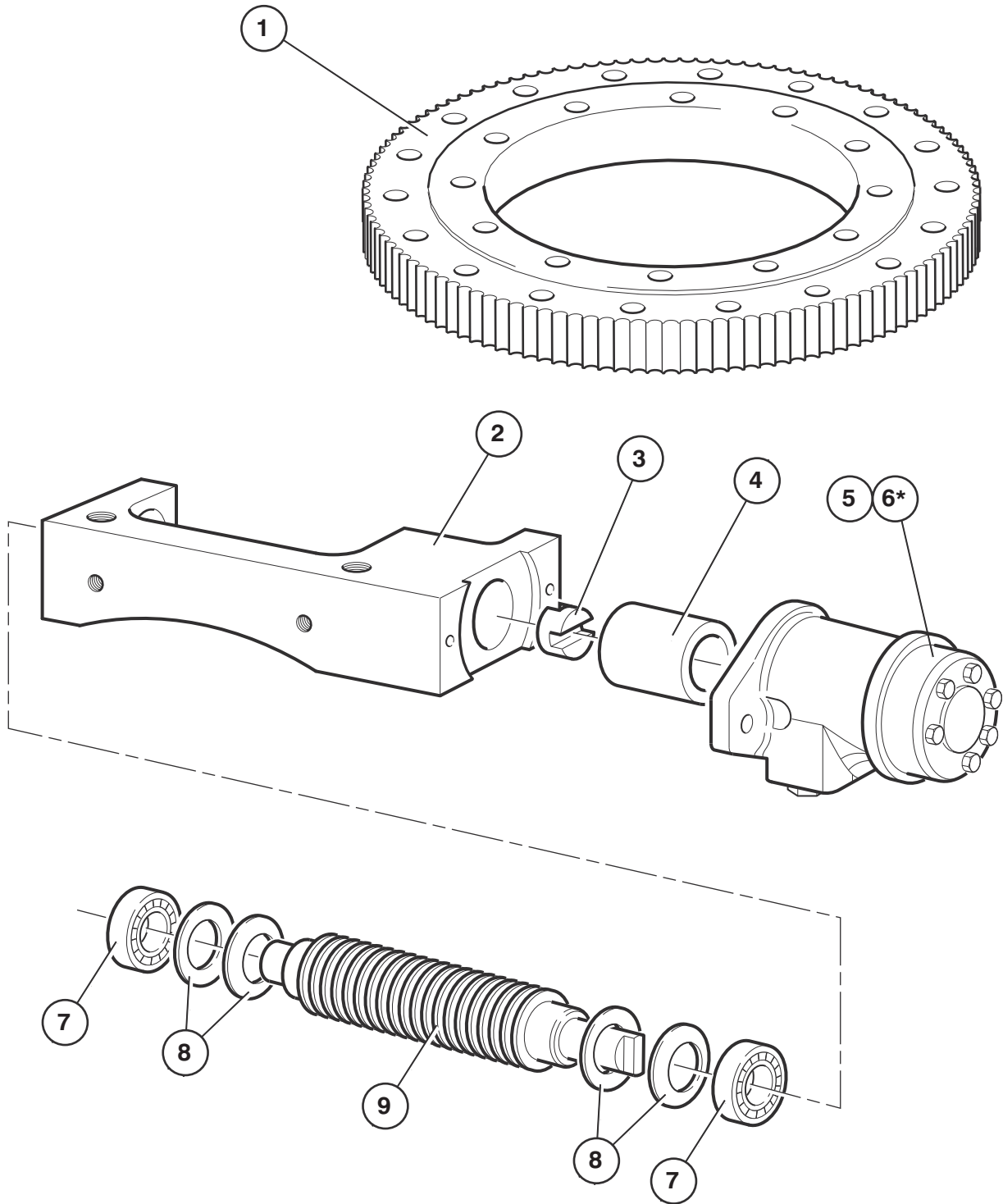
2.4 Slew assembly

Item	Description				Part Number
	Complete assembly (Items 2 to 9)				P29150
1	Slew ring				P16817
2	Worm bracket				P12681
3	Coupling				P12145
4	Spacer				P12143
5	Motor				P14306
6 *	Seal kit for item 5				P14377
7	Bearing				P12703
8	Belleville washer				P12150
9	Worm gear				P14502

* Not illustrated

french
german
spanish

superstructure



french
german
spanish

superstructure

2.5 Boom rest assembly

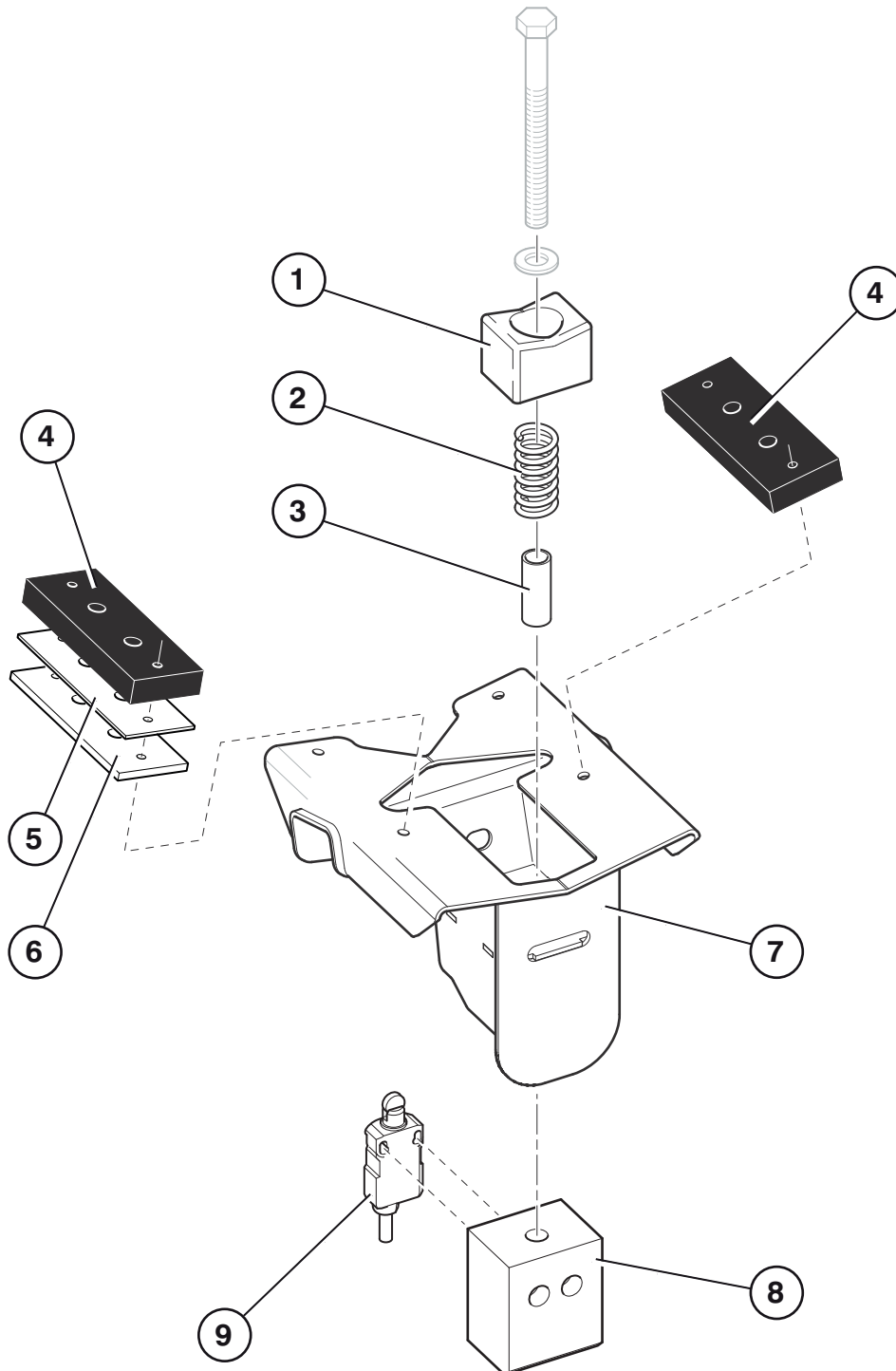
Item	Description				Part Number
1	Slider				P19077
2	Spring				P19051
3	Spacer				P19201
4	Rubber pad				P16883
5	Spacer - 2mm				P26726
6	Spacer - 4mm				P26727
7	Bracket				P19039
8	Block				P28751
9	Micro switch				P30387

french
german
spanish

superstructure



2-14



french
german
spanish

superstructure

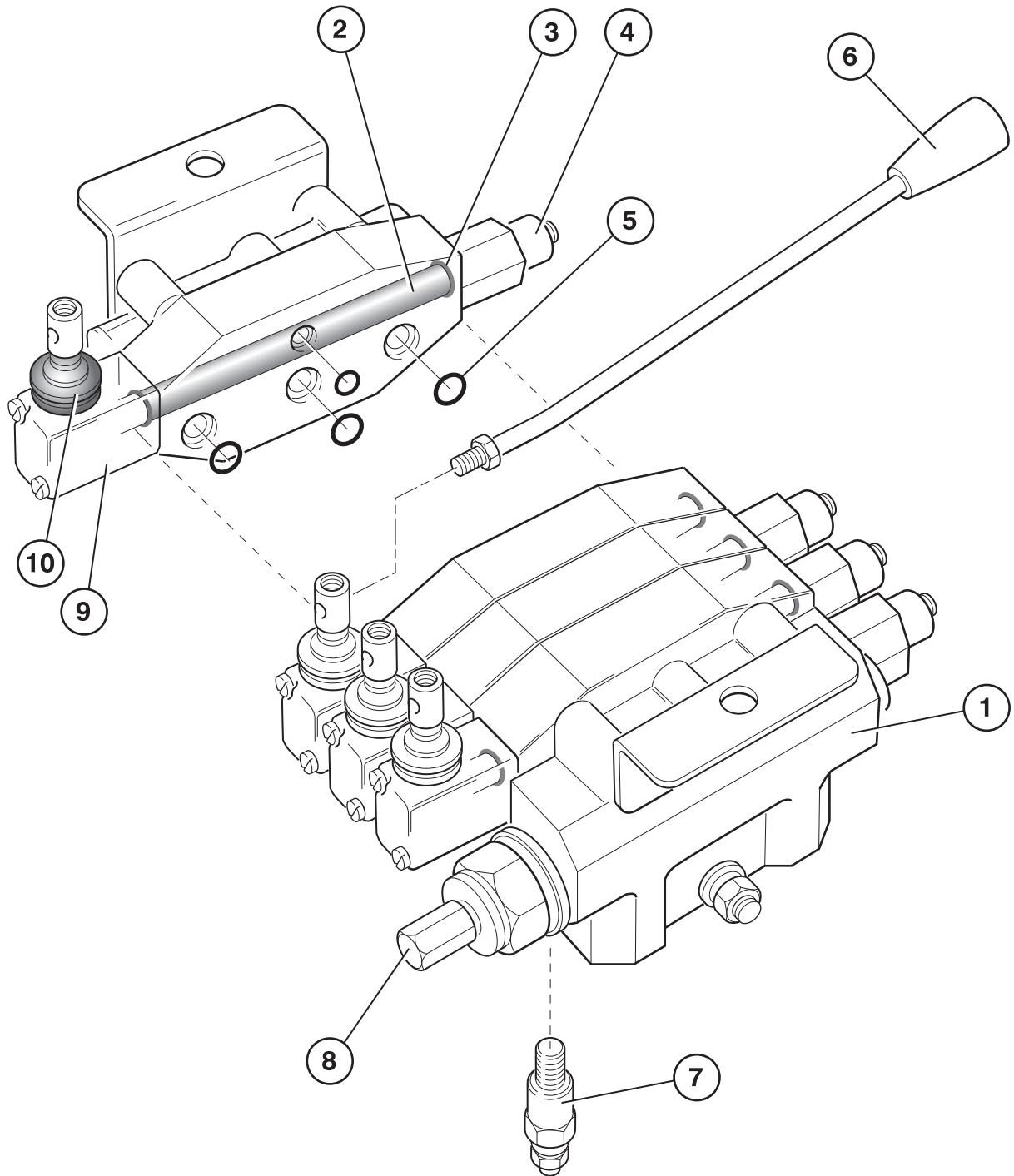
Figure 2.5 Boom rest assembly

2.6 Control valve (4 spool)

Item	Description				Part Number
1	Valve assembly - 4 spool				P17844
2	Spool AS AST				P15510 P15511
3	Valve seal kit				P10707
4	Spool return spring assembly				P16234
5	Interface seal kit				P10706
6	Lever (200mm)				P70336
7	Pressure relief valve				P15840
8	Pressure relief valve				P70335
9	Lever cap				P70338
10	Rubber boot				P12225

french
german
spanish

superstructure



french
german
spanish

superstructure

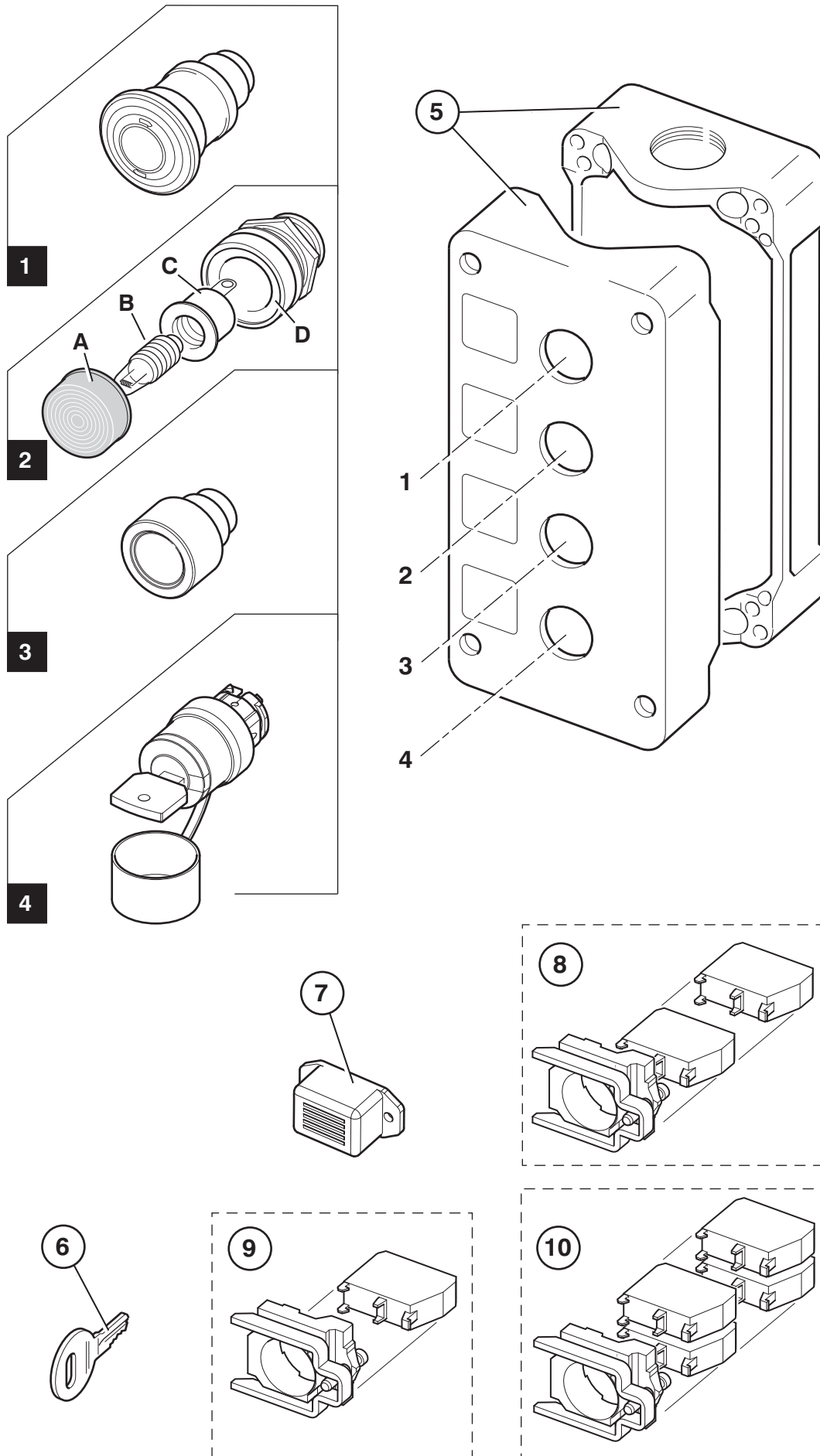
Figure 2.6 Control valve (4 spool)

2.7 Button box assembly

Item	Description				Part Number
1	E-stop button USA Only				P24317 P28564
2	(A) Pilot light lens (B) Bulb (C) Lamp holder (D) Lamp housing				P11295 P11791 P11790 P14276
3	Button - Green (Includes boot) Boot ONLY				P30711 P24332
4	Key switch - 455 key 2 position Rubber boot				P24337 P24321
5	Button box - 4 hole 80mm deep				P22416
6	Key - 455				P70187
7	Buzzer				P10341
8	Base, Switch Contact - NO Contact - NC (Used with item 3)				P24322 P24323 P24324
9	Base, Switch Contact - NC (Used with item 1)				P24322 P24324
10	Base, Switch Contact - NO Contact - NO Contact - NC Contact - NC (Used with item 4)				P24322 P24323 P24323 P24324 P24324

french
german
spanish

superstructure



french
german
spanish

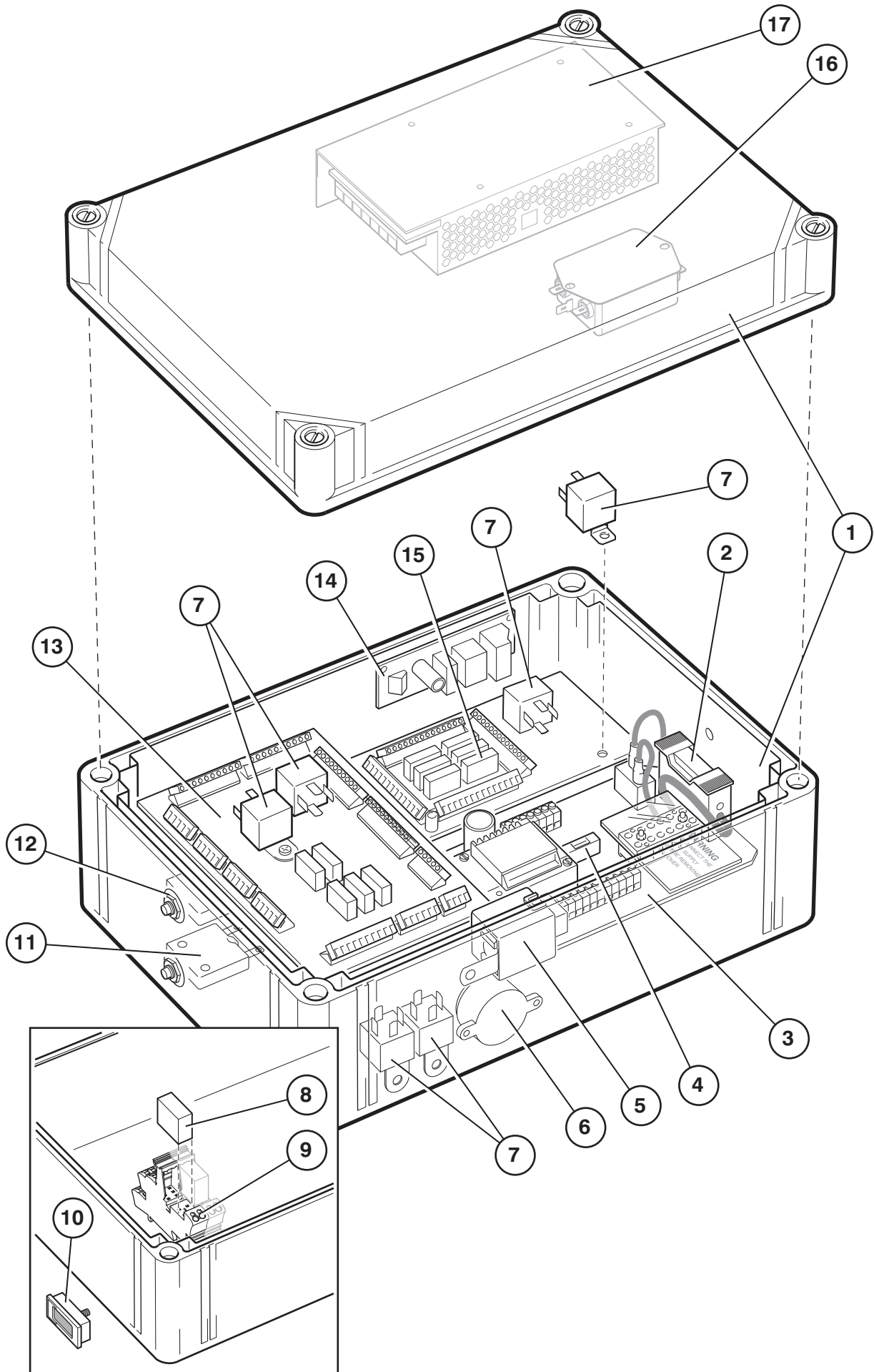
superstructure

2.8 Control box assembly

Item	Description				Part Number
	Complete assembly				P16769
1	ABS box				P12516
2	Fuse - 16A (240v) 25A (110v)				P11767 P14040
3	Circuit board assy 240v 110v				P10847 P14039
4	Fuse - 3.15A				P15504
5	Timer relay				P10664
6	Sounder				P11112
7	Relay				P10340
8	Safety Relay - 12v				P29783
9	Base, Relay				P25856
10	Hour meter (OPTIONAL)				P11410
11	Circuit breaker - 35A				P13529
12	Circuit breaker - 10A				P11719
13	PCB				P16559
14	PCB - Throttle				P14175
15	PCB				P14033
16	Power filter				P28807
17	Power Supply				P28806

french
german
spanish

superstructure



french
german
spanish

superstructure

Figure 2.8 Control box assembly

2.9 Anderson connector

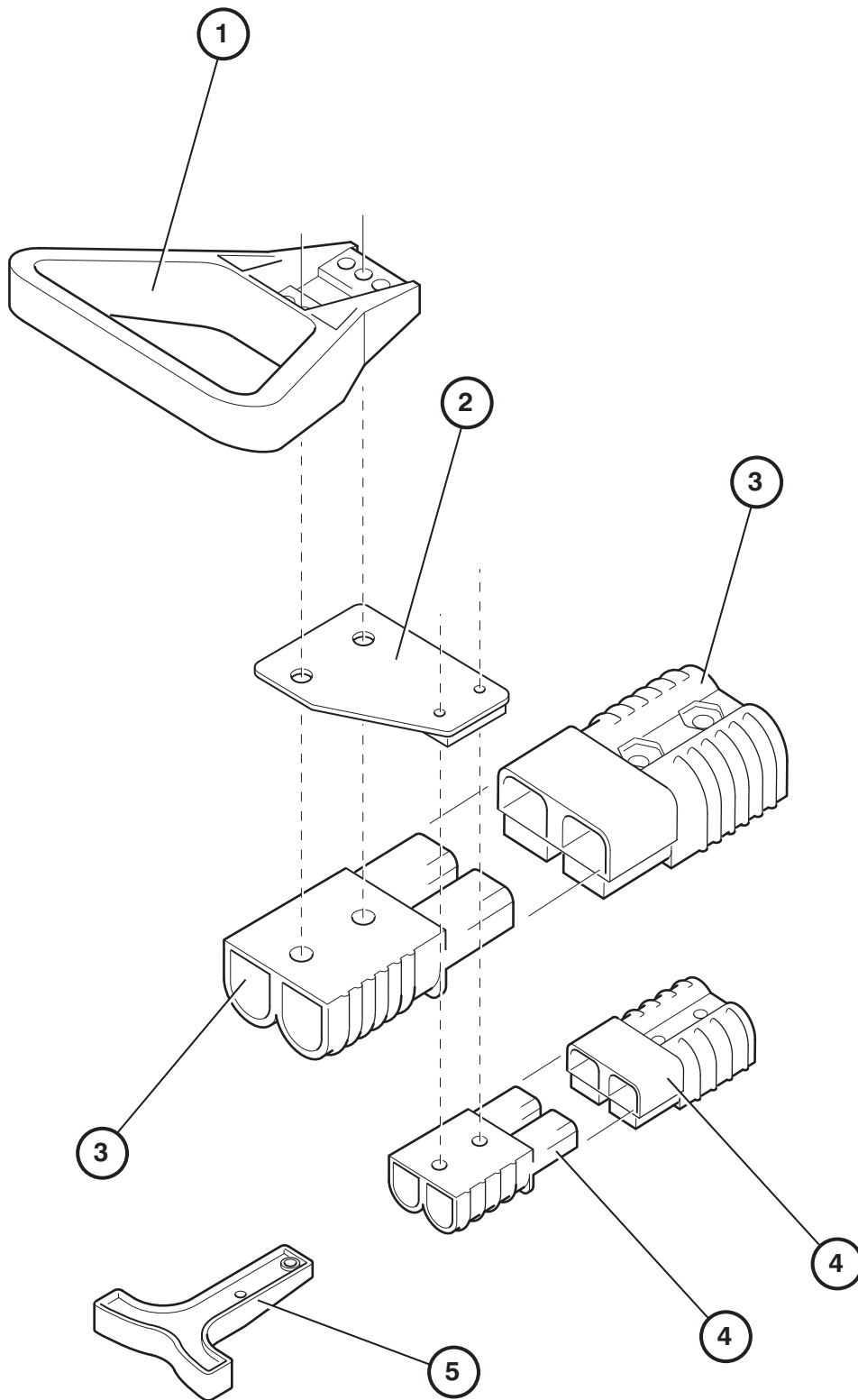
Item	Description				Part Number
1	Handle				P17084
2	Mounting plate				P15271
3	Connector				P17083
4	Connector - 12v				P17085
5	Handle - Anderson				P16942

french
german
spanish

superstructure



2-22



french
german
spanish

superstructure

Figure 2.9 Anderson connector

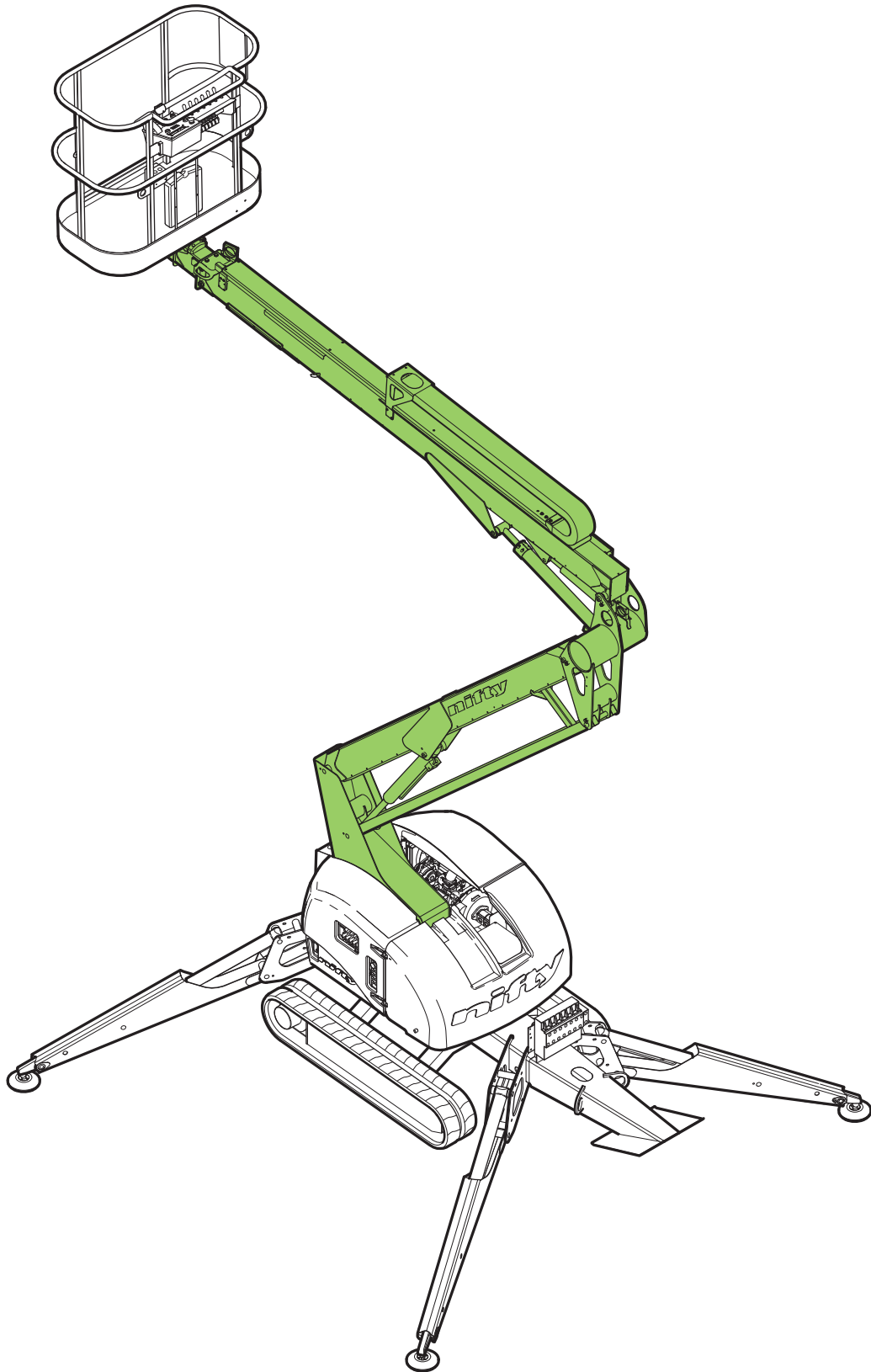


nifty



TD150T (TD42T)

illustrated parts manual
Manuel illustré de pièces détachées
Illustrierte Stückliste
Manual de piezas ilustrado



3

boom assemblies

french
german
spanish



3.1 Boom 1 assembly

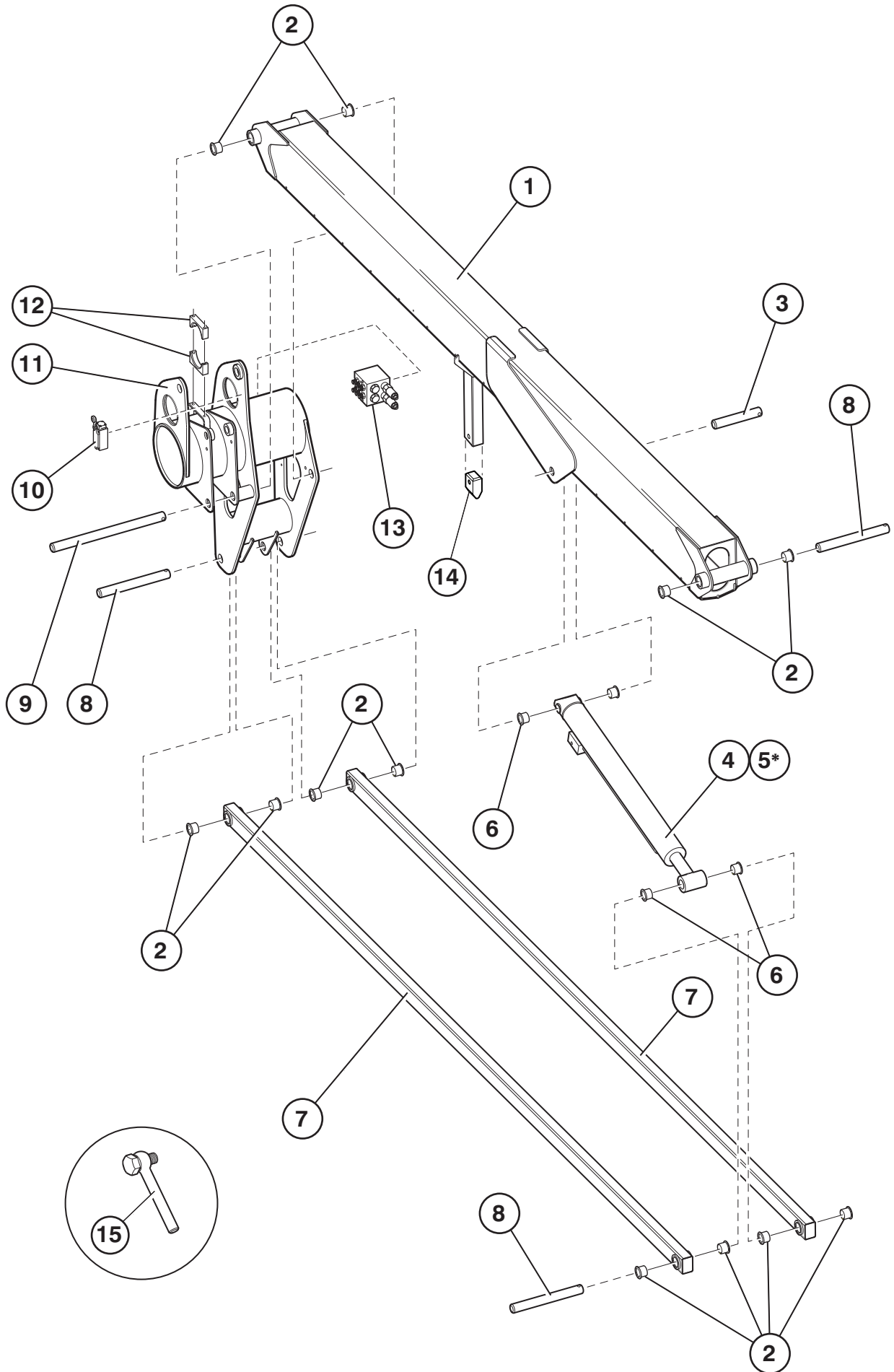
Item	Description				Part Number
1	Boom 1				P25147
2	Bush				P12651
3	Pin (Lift cylinder)				P15953
4	Lift cylinder See "Lift Cylinders" on page 3-8				P16963
5 *	Seal kit for item 4				P18466
6	Bush				P10032
7	Levelling rod				P24754
8	Pivot pin - 262mm				P17313
9	Pivot pin - 420mm				P17417
10	Microswitch (see note)				P19118
11	Knuckle				P16960
12	Hose clamp				P17991
13	Levelling valve See "Levelling valve" on page 3-14				P16100
14	Centring device				P18492
15	Swing bolt				P15966

* Not illustrated

Note: Item 10 fitted to Australian machine ONLY

french
german
spanish

boom assemblies



french
german
spanish

boom assemblies

Figure 3.1 Boom 1 Assembly

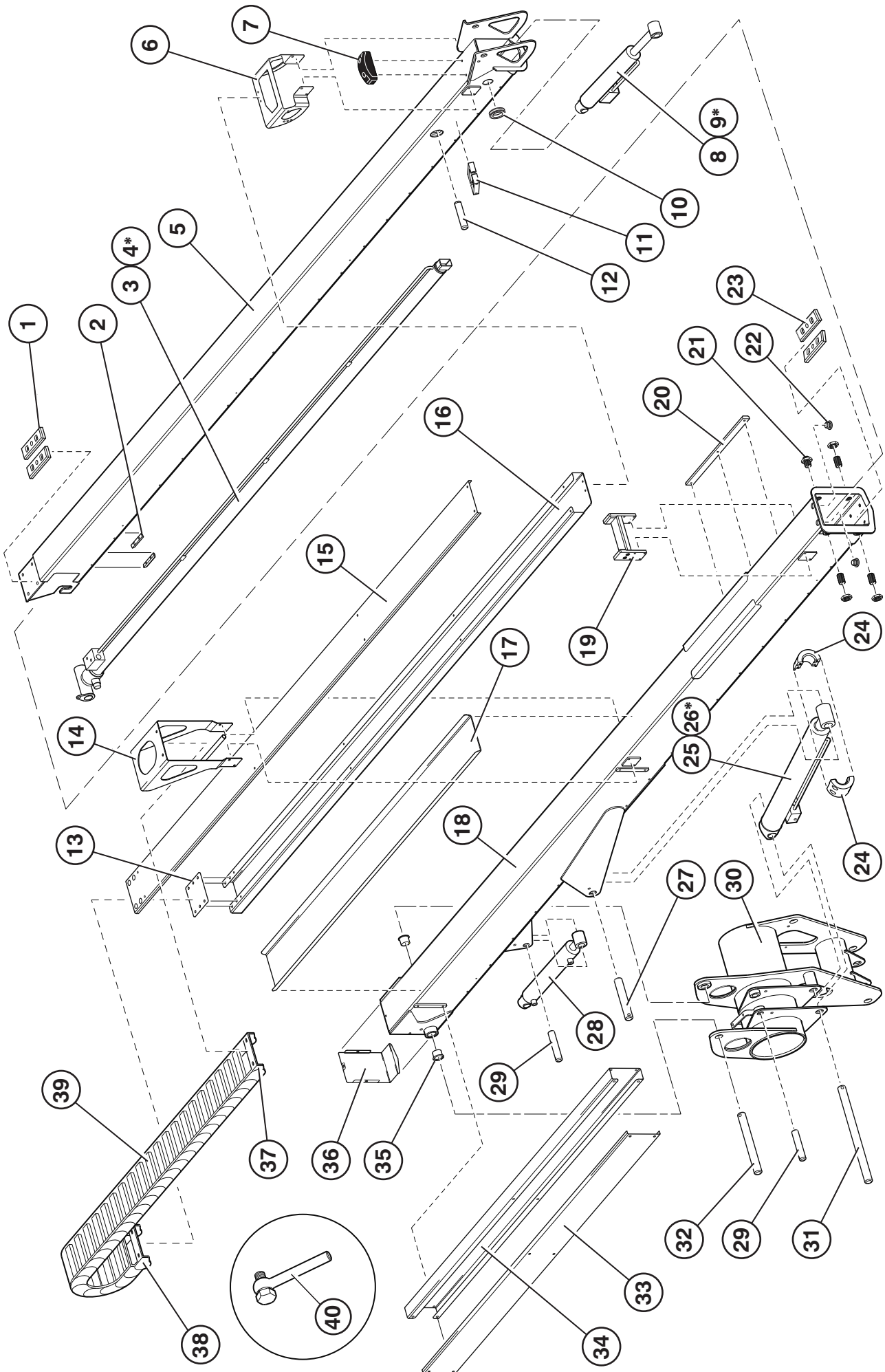
3.2 Telescopic boom assembly

Item Description Part Number

Item	Description	Part Number
1	Wear pad	P16176
2	Wear pad	P26185
3	Tele cylinder See "Telescope cylinder" on page 3-12	P16810
4 *	Seal kit for item 3	P18464
5	Section 0 - Inner	P16814
6	Bracket - Trunking	P18152
7	Boom rest	P10611
8	Levelling cylinder See "Levelling cylinders" on page 3-10	P22982
9 *	Seal kit for item 8	P18465
10	Grommet	P11283
11	Hose clamp	P17991
12	Pin - 113mm	P17418
13	Bracket	P17224
14	Bracket - Energy chain	P19209
15	Lid - Upper trunking	P17468
16	Trunking (Upper)	P17223
17	Channel - Energy chain	P18175
18	Section 1 - Outer	P16812
19	Wear pad - Trunking	P18144
20	Wear strip	P17725
21	Wear screw	P17778
22	Wear pad	P18391
23	Wear pad	P16176
24	Spacer (transit)	T00042
25	Lift cylinder See "Lift Cylinders" on page 3-8	P29885
26*	Seal kit for item 25	P18466

french
german
spanish

boom assemblies



french
german
spanish

boom assemblies

Figure 3.2 Telescopic boom assembly

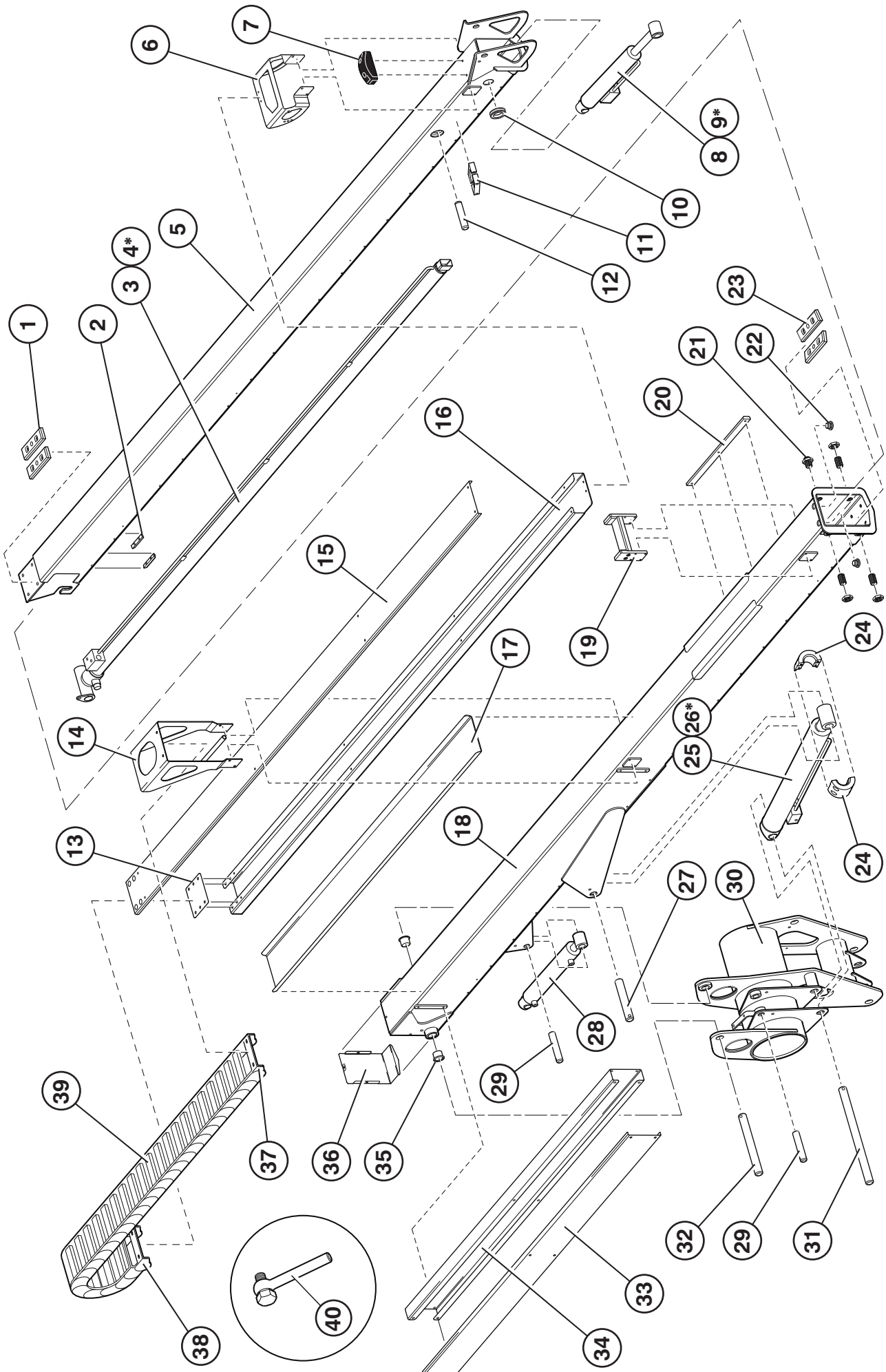
3.3 continued

Item Description Part Number

27	Pin (Lift cylinder)				P15953
28	Levelling cylinder (Side port) See "Levelling cylinders" on page 3-10				P17088
29	Pin - 127mm				P12952
30	Knuckle				P16960
31	Pivot pin - 420mm				P17417
32	Pivot pin - 262mm				P17313
33	Lid - Lower trunking				P17469
34	Trunking (Lower)				P17308
35	Bush				P12651
36	Cover - Section 1				P17780
37	Tracking end - Top bracket				P15244
38	Tracking end - Bottom bracket				P15894
39	Energy chain Single Link (Includes cross-bar) Cross-bar ONLY				P27390 P30737 P32788
40	Swing bolt				P15966

french
german
spanish

boom assemblies



french
german
spanish

boom assemblies

Figure 3.2 Telescopic boom assembly

3.3 Lift Cylinders

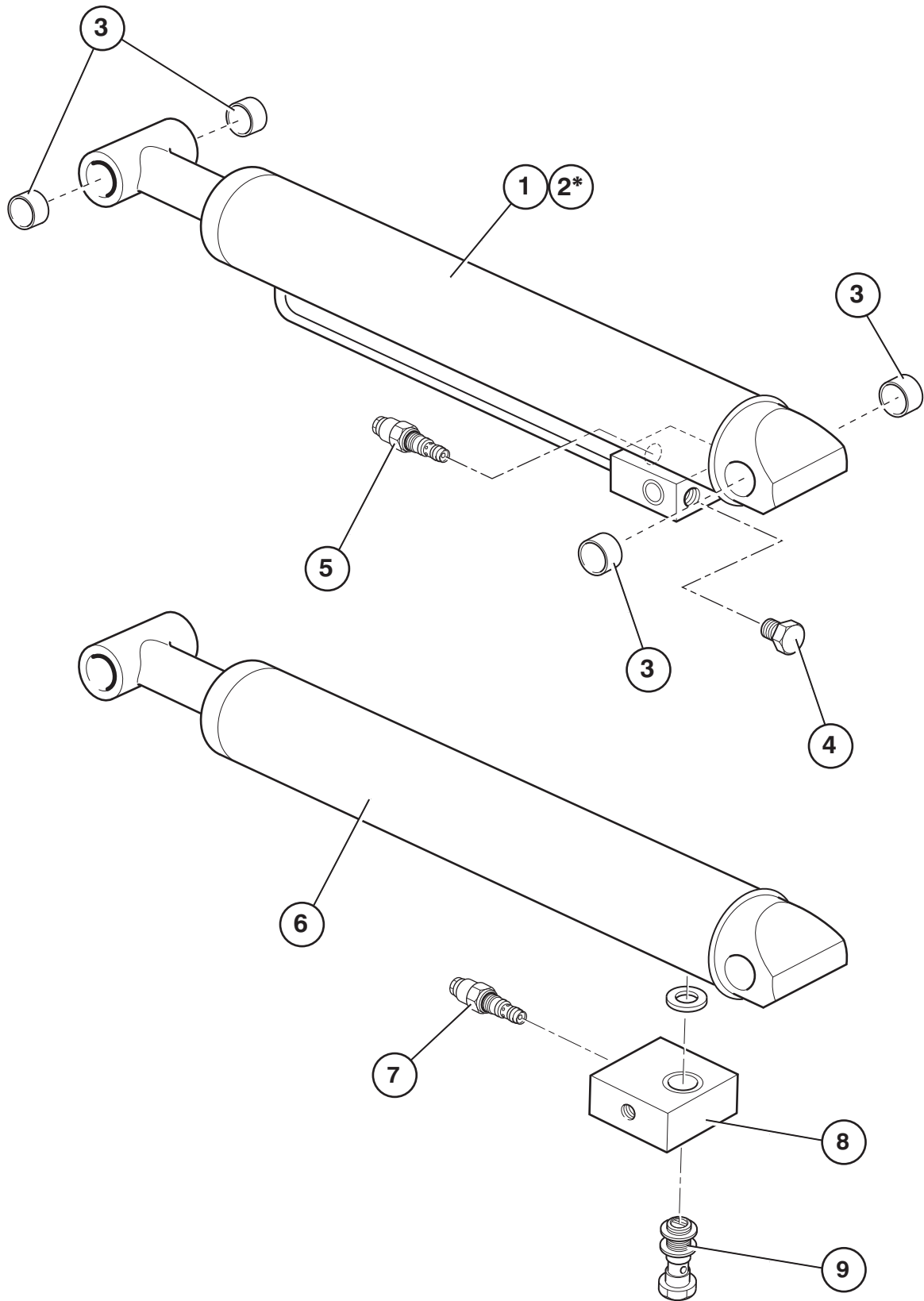
Item	Description				Part Number
1	Cylinder				P16963
2 *	Seal kit for item 1 & 6				P18466
3	Bush DU3025				P10509
4	Cavity plug				P18324
5	Load valve				P11956
6	Cylinder				P29885
7	Load valve (245 bar)				P31916
8	Check valve (Includes item 7)				P21052
9	Banjo bolt				P10625

* Not illustrated

french
german
spanish

boom assemblies

3-8



french
german
spanish

boom assemblies

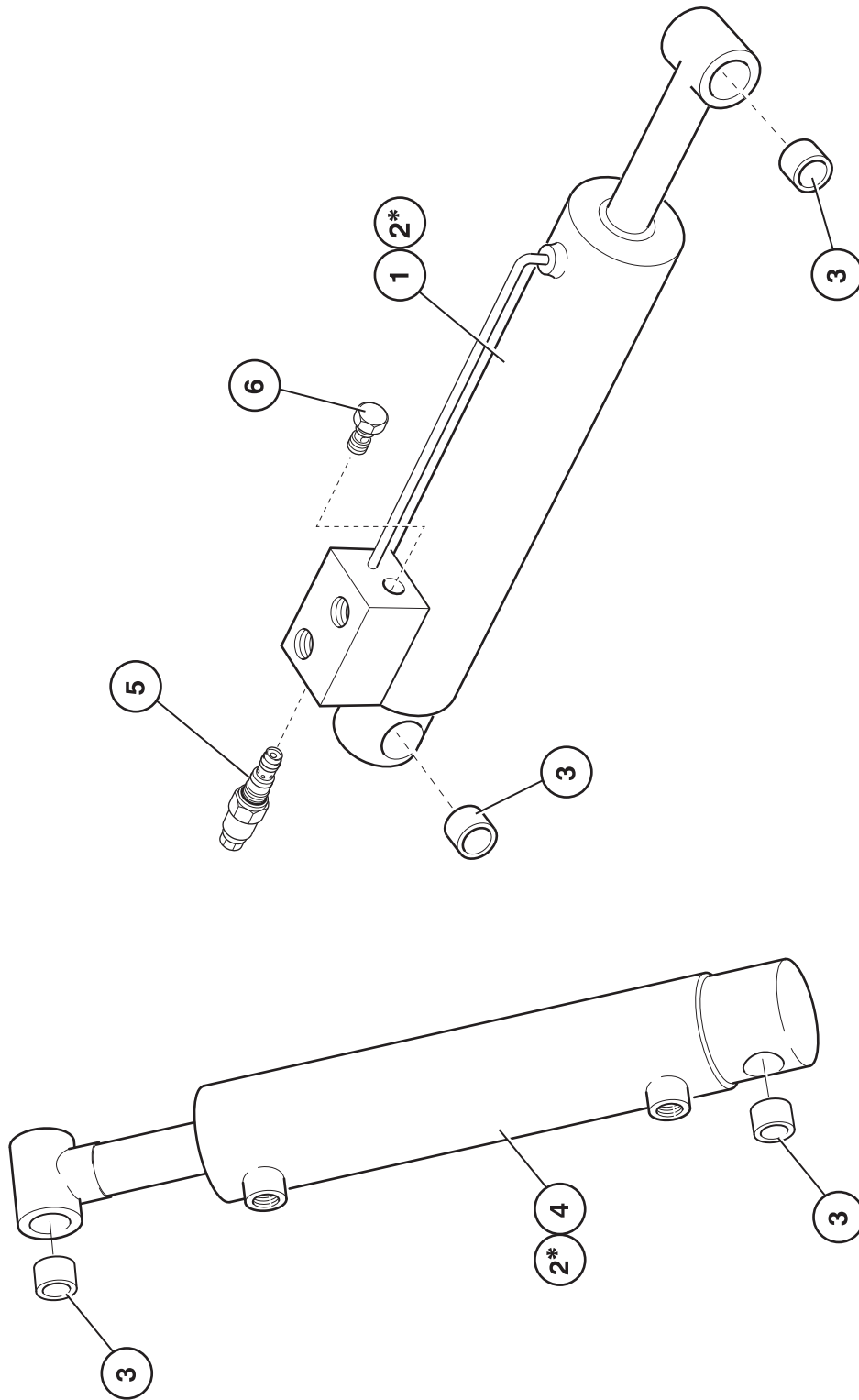
Figure 3.3 Lift Cylinders

3.4 Levelling cylinders

Item	Description				Part Number
1	Cylinder				P22982
2 *	Seal kit for items 1 and 4				P18465
3	Bush DU2520				P10032
4	Cylinder (Side port)				P17088
5	Load valve				P11956
6	Check valve cartridge				P17317

french
german
spanish

boom assemblies



french
german
spanish

boom assemblies

Figure 3.4 Levelling Cylinders

3.5 Telescope cylinder

Item Description Part Number

Item	Description	Part Number
1	Cylinder	P16810
2 *	Seal kit for item 1	P18464
3	Bush DU3025	P12651
4	Check valve cartridge	P17317
5	Load valve	P11956
6 *	Seal kit for item 5	P11958
7	Rubber pad	P18326

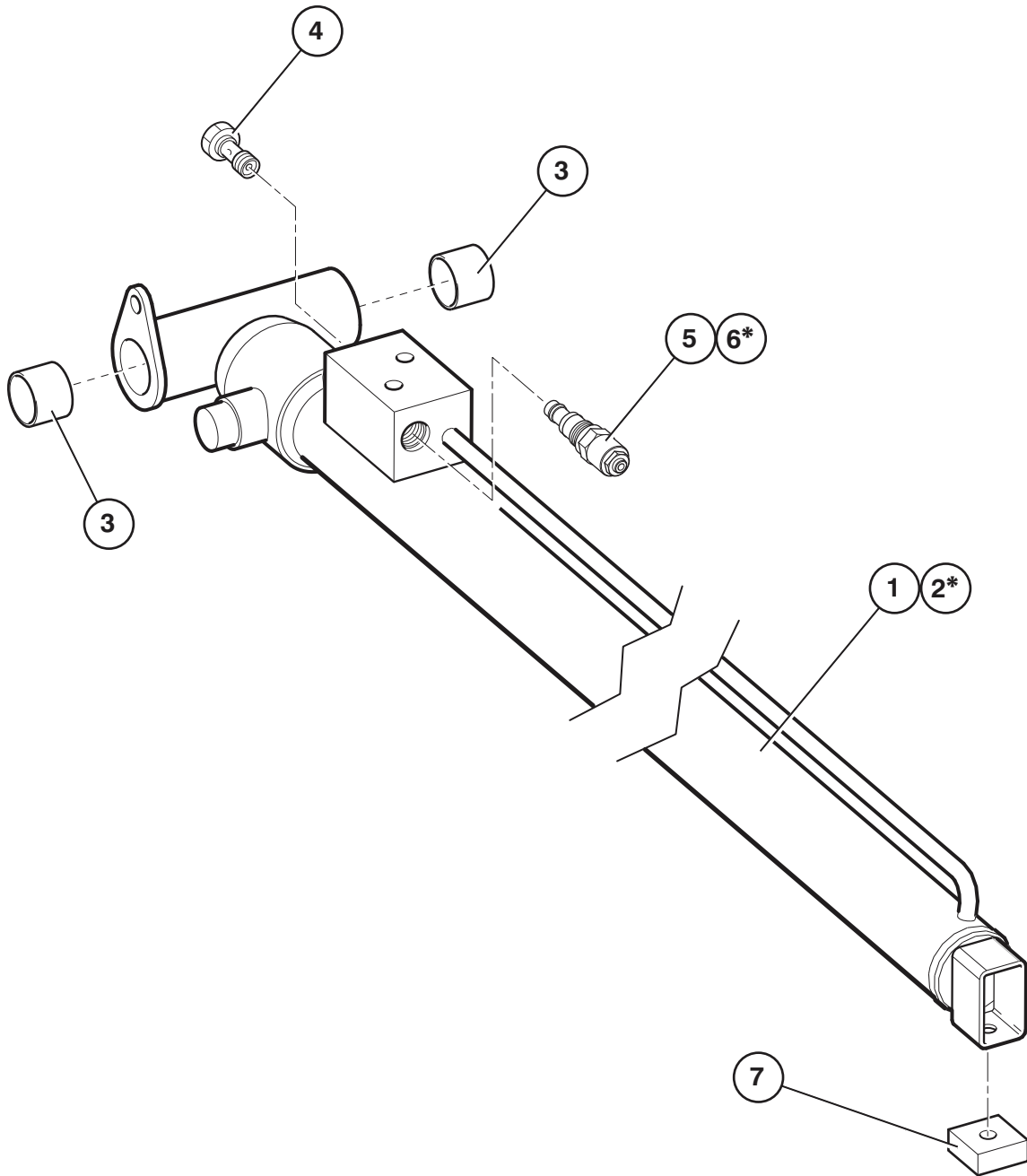
french
german
spanish

boom assemblies





3-12



french
german
spanish

boom assemblies

Figure 3.5 Telescope Cylinder

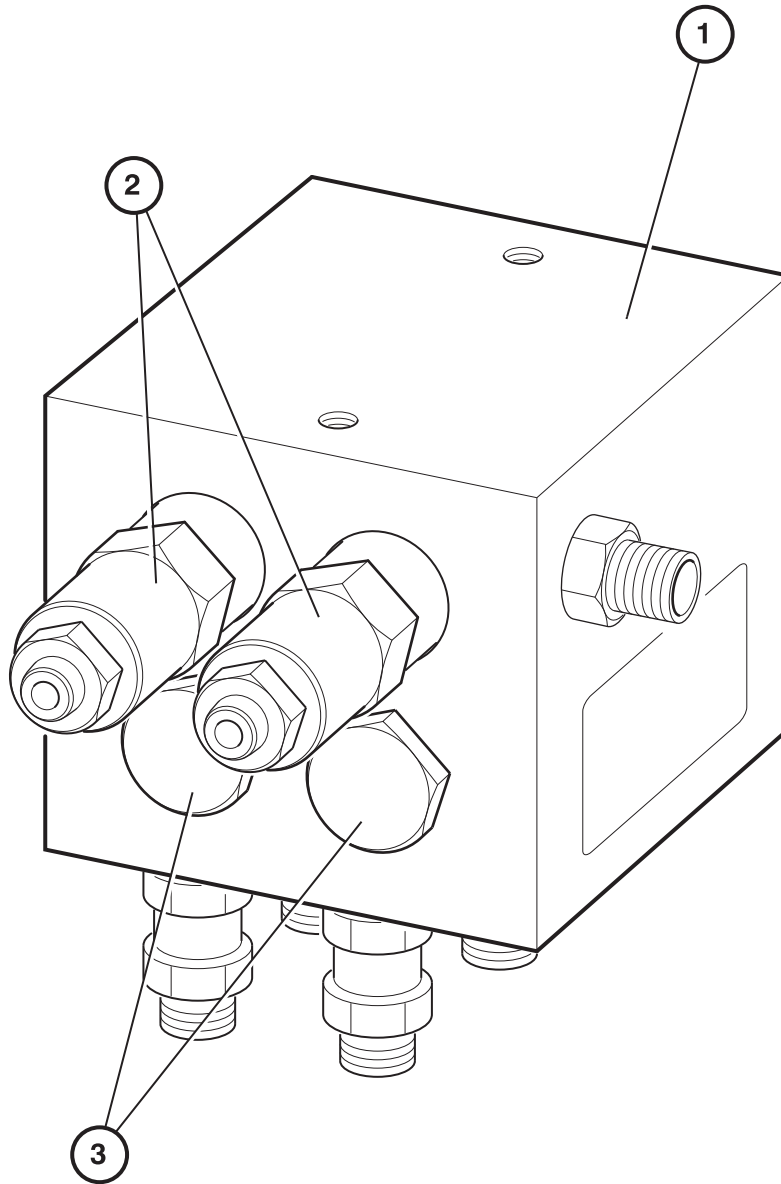
3.6 Levelling valve

Item	Description				Part Number
1	Levelling valve assembly				P16100
2	Relief valve (250 BAR)				P18253
3	Check valve				P17317

french
german
spanish


boom assemblies

3-14



french
german
spanish

boom assemblies

Figure 3.6 Levelling Valve



nifty

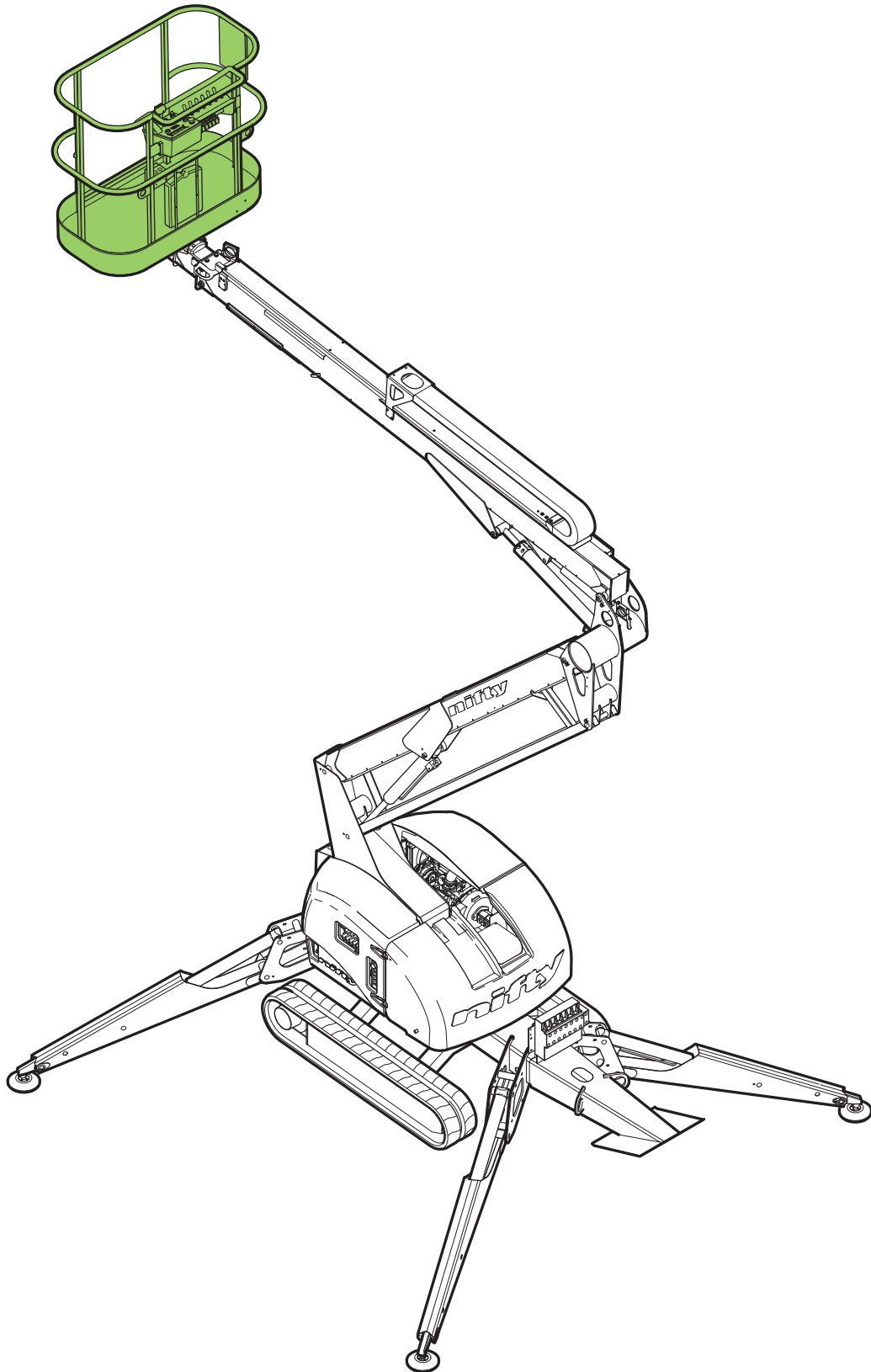
TD150T (TD42T)

illustrated parts manual

Manuel illustré de pièces détachées

Illustrierte Stückliste

Manual de piezas ilustrado



4



cage assembly

french
german
spanish

4.1 Cage assembly

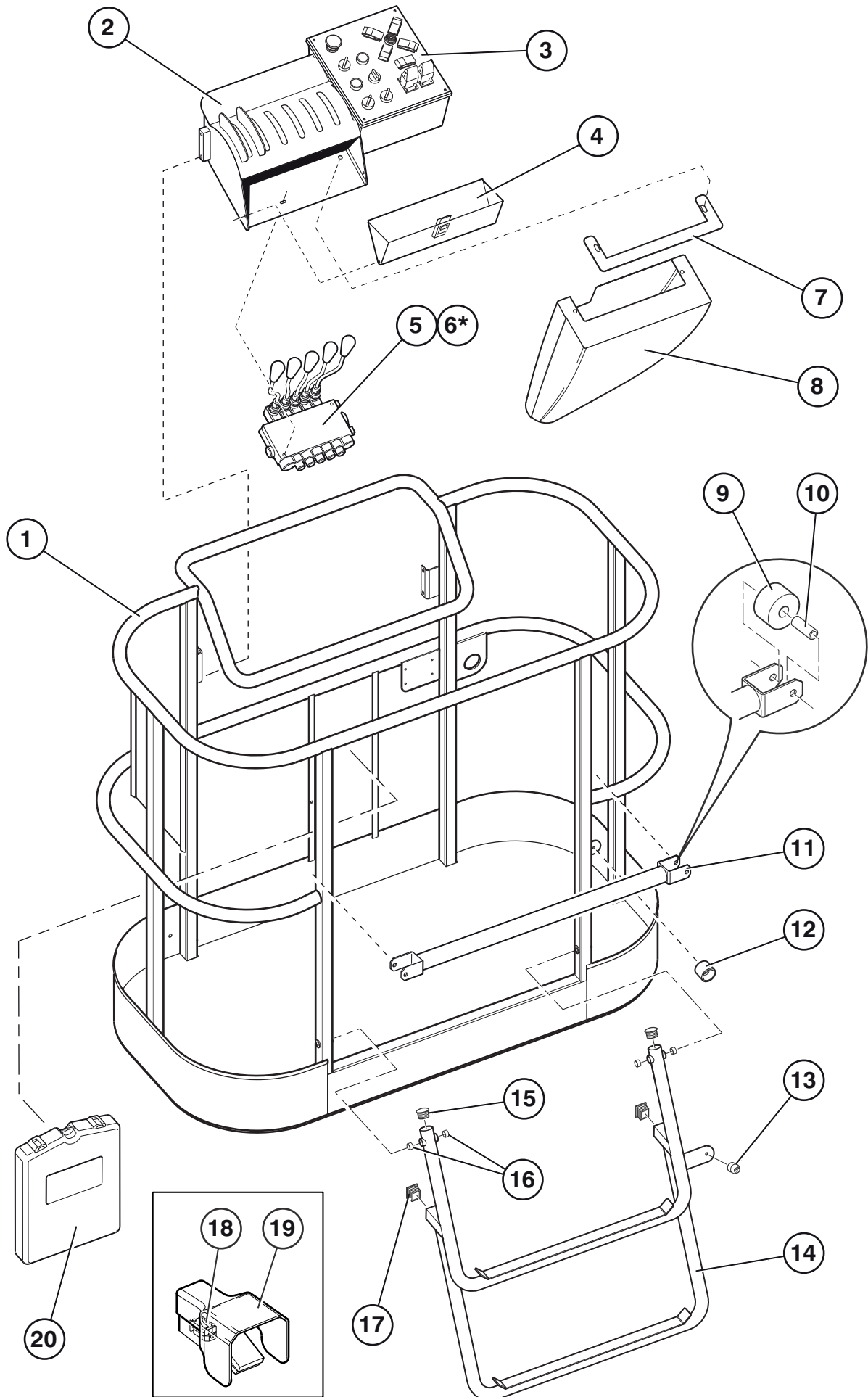
Item Description Part Number

1	Cage				P34055
2	Control console				P34533
3	Control panel assy. See "Control panel assembly" on page 4-8				N/A
4	Tool compartment Catch				P14286 P14489
5	Control valve See "Control valve (5 spool)" on page 4-10				P17843
6 *	Seal kit for item 5				P70337
7	Bracket				P29281
8	Cover - Hose burst				P26706
9	Nylon roller				P19973
10	Spacer				P18648
11	Cage gate				P13652
12	Latch - female				P13815
13	Latch - male				P13814
14	Cage steps				P23862
15	End cap				P13379
16	Bush				P10840
17	End cap				P10841
18	Electrical contact				P26751
19	Footswitch (OPTIONAL) Cover ONLY				P26601 P26752
20	Instruction manual box				P11618

* Not illustrated

french
german
spanish

cage assembly



french
german
spanish

cage assembly



Figure 4.1 Cage Assembly

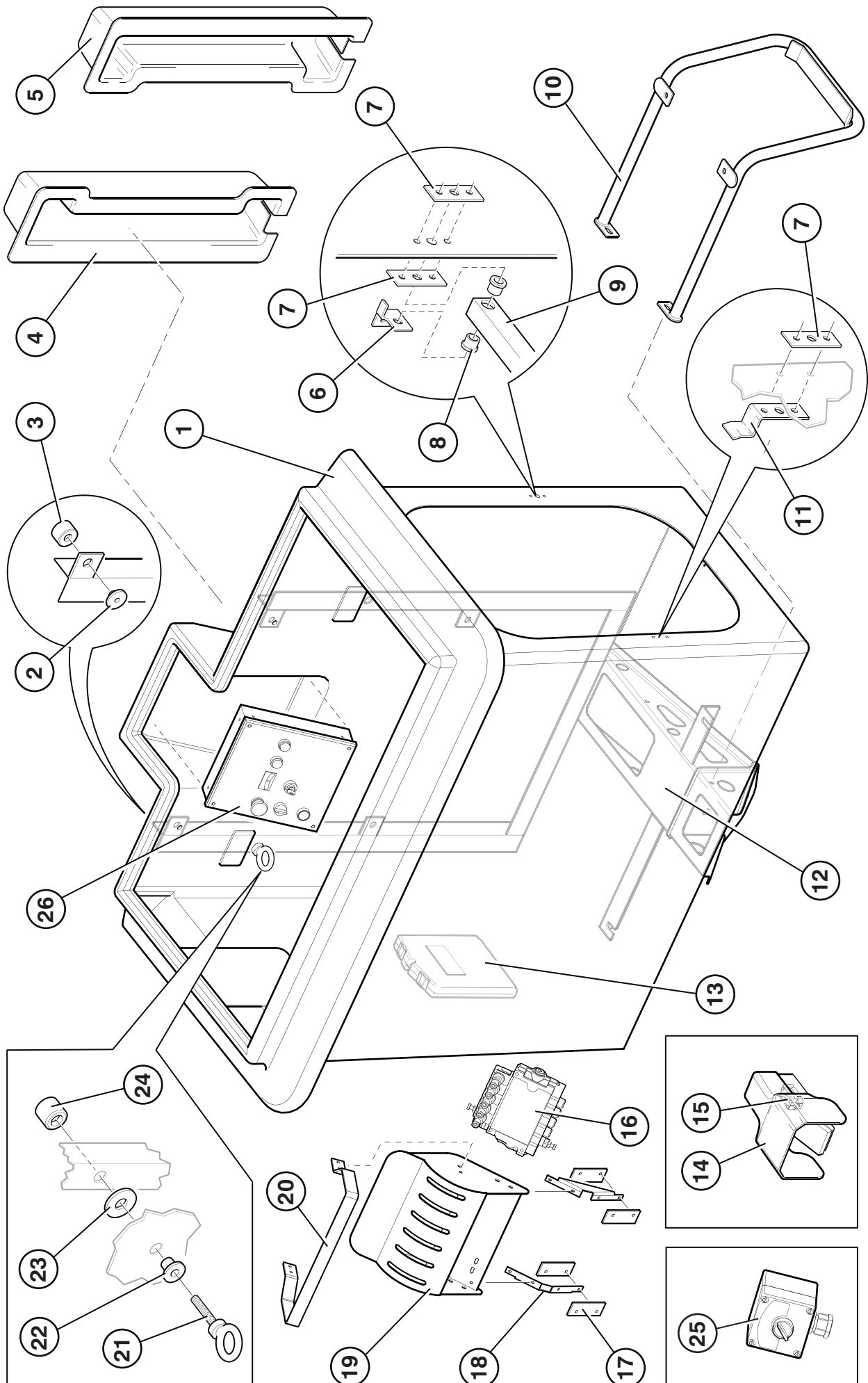
4.2 Cage assembly (Fibreglass)

Item Description Part Number

1	Cage RH entry				P35405
2	Bolt insulator				P11606
3	Insulator cup				P11607
4	Frame cover RH				P35404
5	Frame cover LH				P35403
6	Gate plate (angled)				P18661
7	Gate plate				P11063
8	Bush				P10840
9	Cage gate				P11061
10	Cage step				P22214
11	Gate rest plate (inner)				P11062
12	Cage mounting frame				P33560
13	Instruction manual box				P11618
14	Footswitch Cover ONLY				P26601 P26752
15	Electrical contact				P26751
16	Control valve See "Control valve (5 spool)" on page 4-10				P17843
17	Spreader plate				P22213
18	Bracket for item 19				P15052
19	Bracket, Control valve				P15028
20	Guard				P15187
21	Eye bolt (M16)				P28287
22	Bolt insulator				P11533
23	Insulator spacer				P11608
24	Insulator cup				P11534
25	Duty Select Assy. Box - 1 hole Selector switch Rubber boot Contact NO NC				P31917 P28575 P24326 P24319 P24323 P24324
26	Control box See "Control panel assembly" on page 4-8				N/A

french
german
spanish

cage assembly



french
german
spanish

cage assembly



Figure 4.2 Cage assembly (Fibreglass)

4.3 Cage weigh assembly

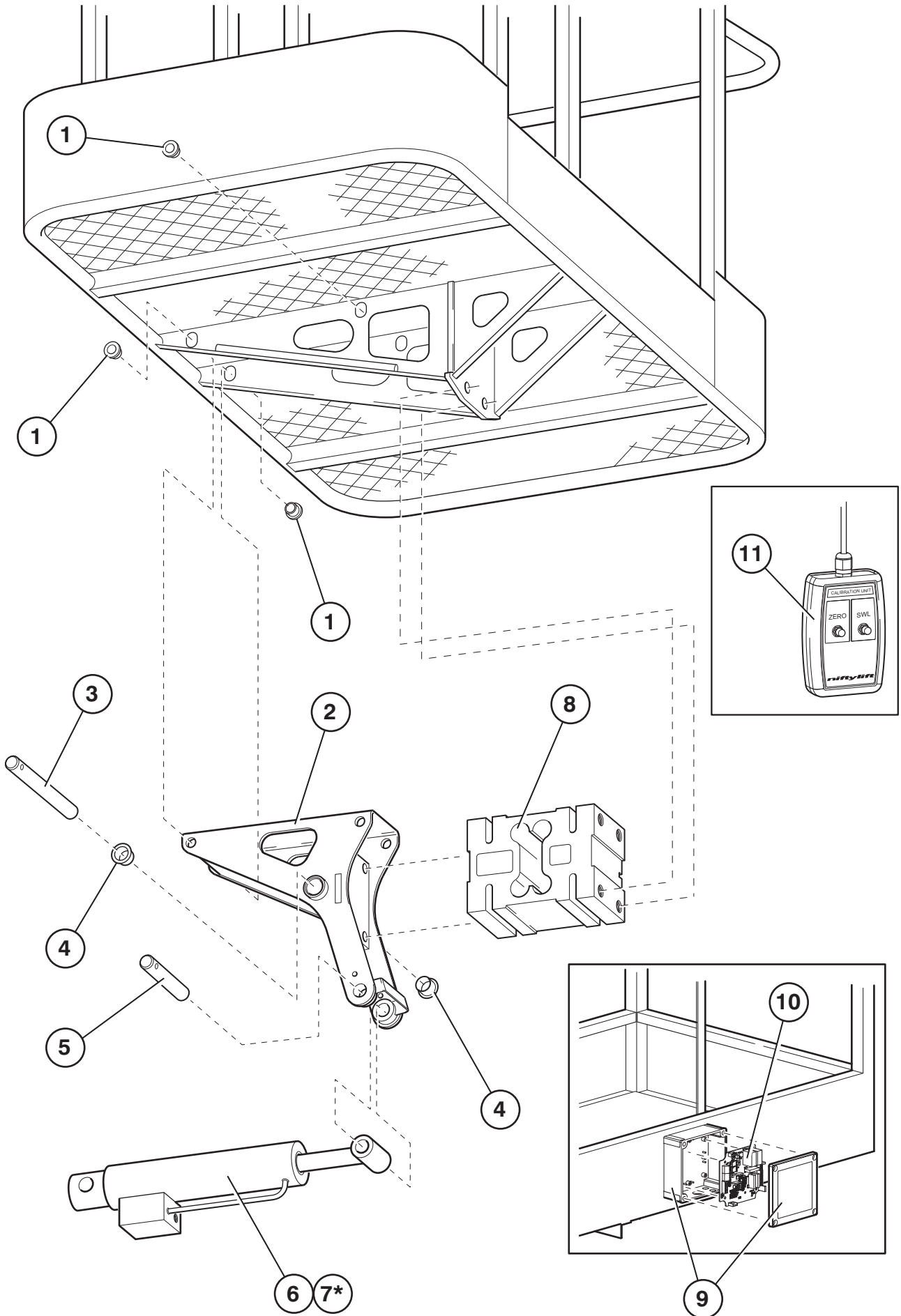
Item	Description				Part Number
1	Rubber grommet				P16983
2	Bracket				P16959
3	Pin - 158mm				P17424
4	Bush (Top hat)				P12250
5	Pin - 127mm				P12952
6	Levelling cylinder See "Levelling cylinders" on page 3-10				P22982
7 *	Seal kit for item 6				P18465
8	Load cell 1.1m cable 2.4m cable Dummy *				P18179 P29179 P23090
9	Box assembly (Includes item 10) Box ONLY Drain plug *				P25740 P25739 P23737
10	PCB - SiOPS and Cage Weigh				P33700
11	Calibration unit				T00237

* Not illustrated

french
german
spanish

cage assembly

4-6



french
german
spanish

cage assembly

Figure 4.3 Cage weigh assembly

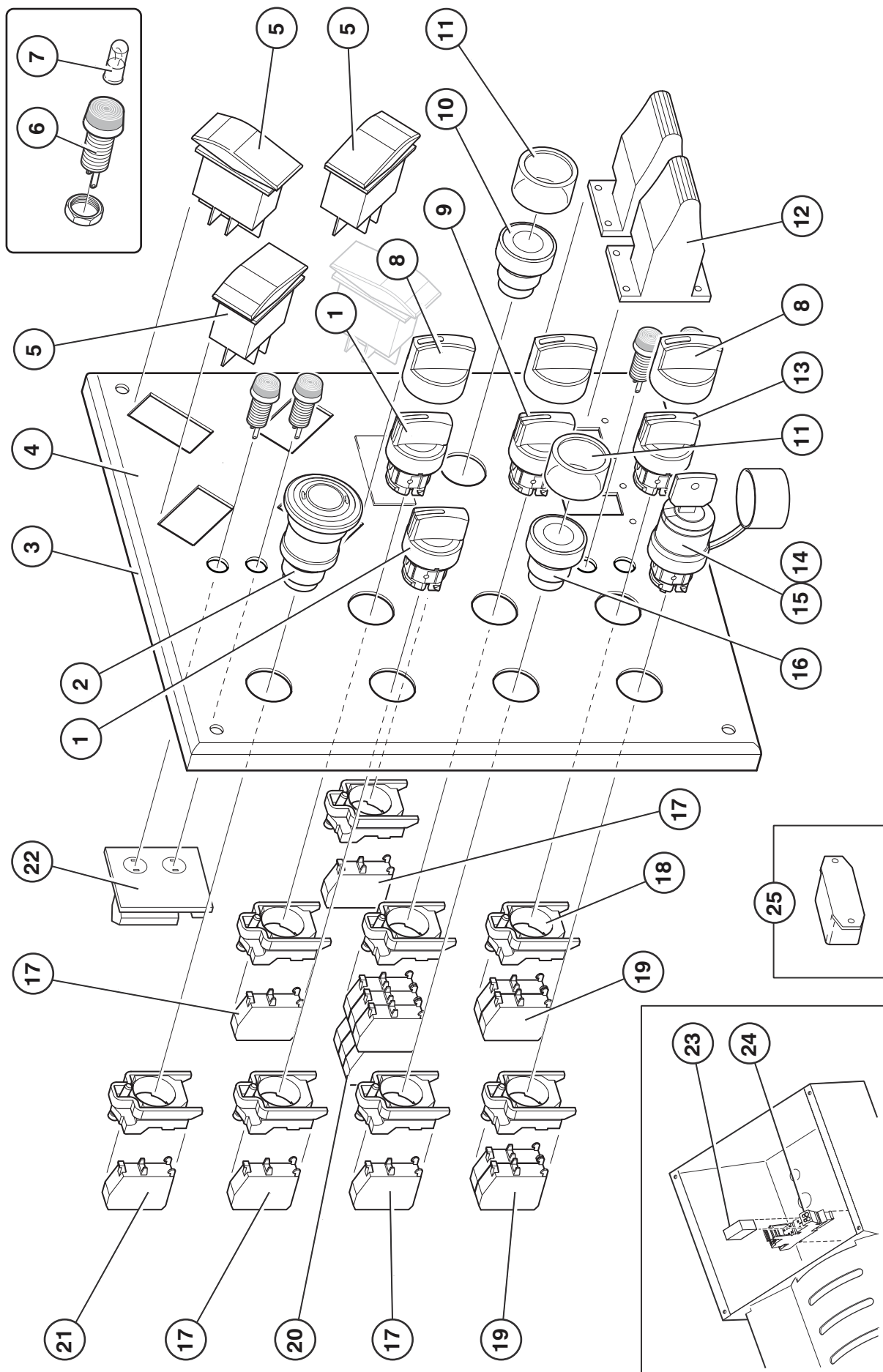
4.4 Control panel assembly

Item Description Part Number

Item	Description	Part Number
	Complete assembly USA	P16770 P34143
1	Selector switch	P24318
2	E-stop button USA Only	P24317 P28564
3	Lid - Cage control	P19196
4	Decal (Label)	P19926
5	Toggle switch	P11763
6	Lamp (Includes bulb)	P11408
7	Bulb	P11409
8	Boot, Selector	P24319
9	Selector switch	P24326
10	Button - Blue (Includes boot)	P24345
11	Rubber boot	P24332
12	Paddle switch	P12689
13	Selector switch	P24327
14	Key switch - 455 key 2 position	P24337
15	Rubber boot	P24321
16	Button - Green (Includes boot)	P30711
17	Contact - NO	P24323
18	Base, switch	P24322
19	Contact - NO NO	P24323 P24323
20	Contact - NO (x4) NC (x2)	P24323 P24324
21	Contact - NC	P24324
22	PCB (Includes item 6 (2 off))	P18276
23	Relay, Safety	P29783
24	Base, Relay	P25856
25	Buzzer	P10341

french
german
spanish

cage assembly



french
german
spanish

cage assembly

Figure 4.4 Control panel assembly

4.5 Control valve (5 spool)

Item	Description				Part Number
1	Control valve				P17843
2 *	Seal kit for item 1				P70337
3	Lever 4				P34534
4	Lever 1				P14077
5	Lever 2				P14078
6	Lever 3				P14079
7	Knob				P14488
8	Pressure relief valve				P70335
9	Lever cap and stroke restrictor				P16383
10	Rubber boot				P12225
11	Lever cap (complete)				P70338
12	Spool (AS)				P15510
13	Spring return assy.				P16234
14	Spring return assy and stroke restrictor				P16384

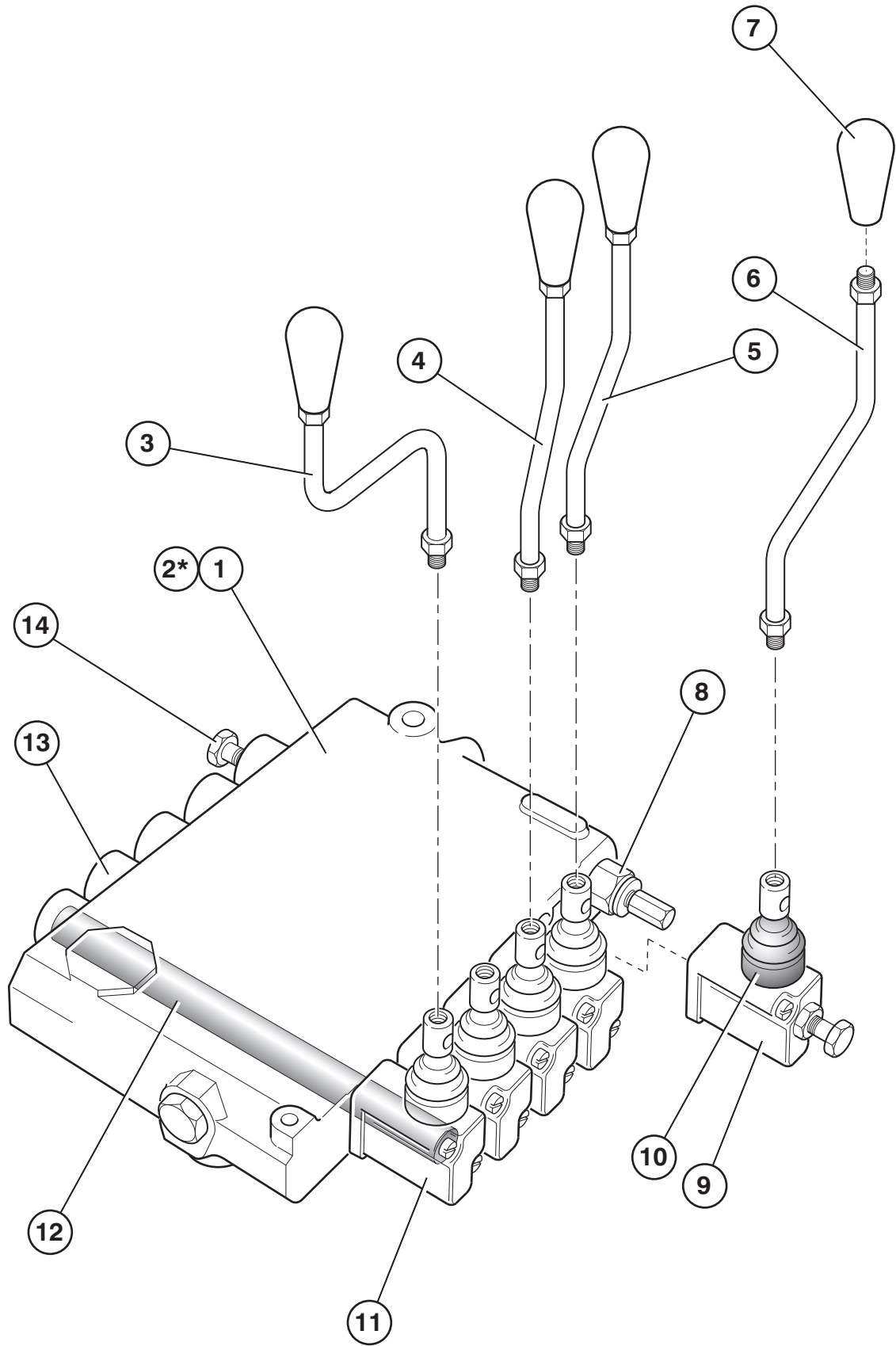
* Not illustrated

Note: Items 3, 4, 5 & 6 do not include item 7

french
german
spanish

cage assembly

4-10



french
german
spanish

cage assembly

Figure 4.5 Control valve (5 spool)

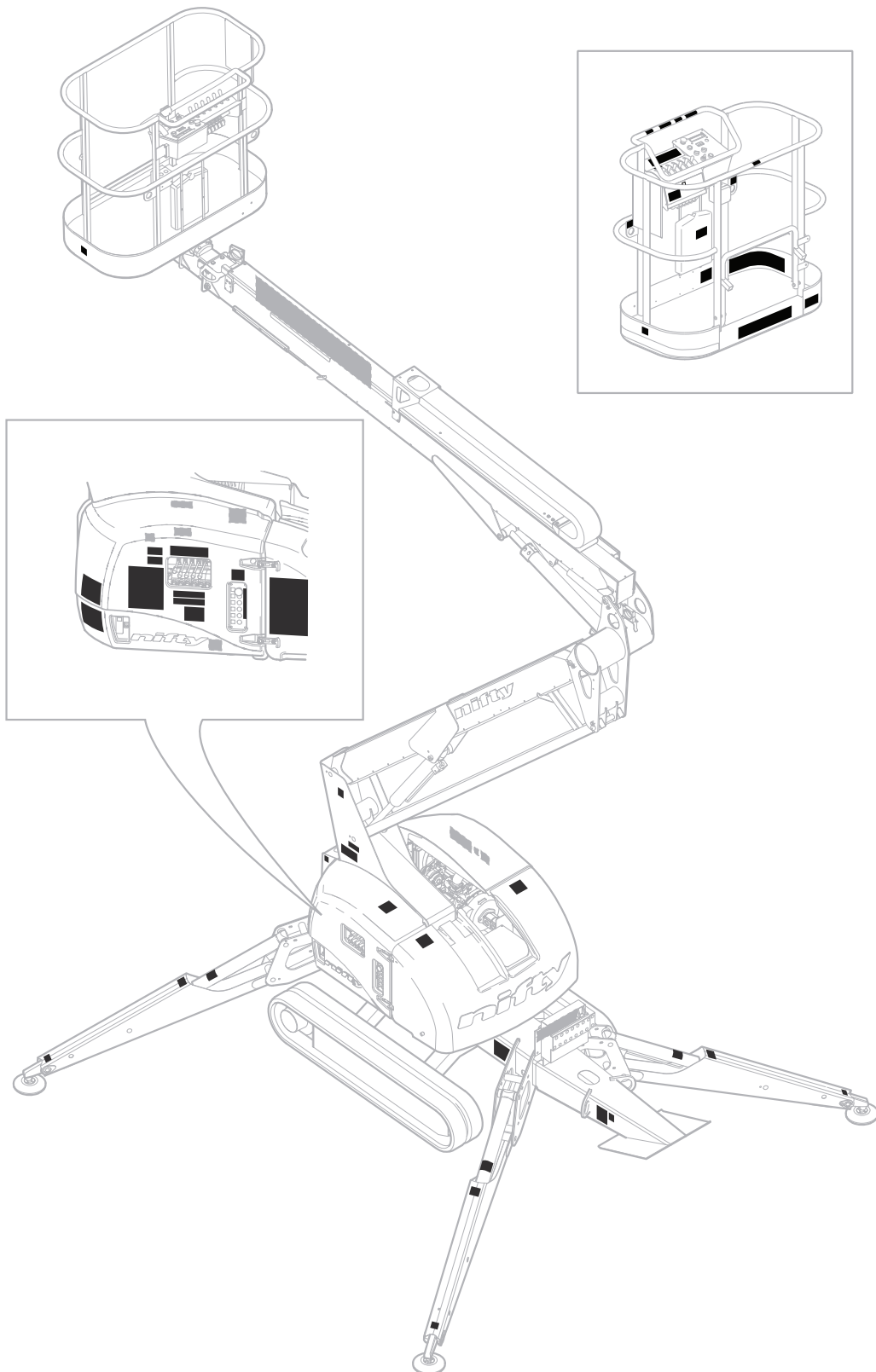


nifty

TD150T (TD42T)



illustrated parts manual
Manuel illustré de pièces détachées
Illustrierte Stückliste
Manual de piezas ilustrado



5



labelling
french
german
spanish

5.1 Label locations TD150T

Item	Description	Part Number
1	General warning - Text	P29380
	french	P29381
	german	P29382
	spanish	P29383
	dutch	P29385
	swedish	P29386
2	Cage levelling	P10853
	french	P10853
	german	P10853
	spanish	P10853
	dutch	P10853
	swedish	P10853
3	Control levers - Cage	P34313
	french	P34313
	german	P34313
	spanish	P34313
	dutch	P34313
	swedish	P34313
4	Head protection	P14921
	french	P14921
	german	P14921
	spanish	P14921
	dutch	P14921
	swedish	P14921
5	Tilt alarm	P18842
	french	P18843
	german	P18844
	spanish	P18845
	dutch	P18846
	swedish	P19637
6	If emergency stop disabled	P14864
	french	P14865
	german	P14866
	spanish	P14867
	dutch	P16628
	swedish	P19625

french
german
spanish

labeling



5-2

See Figure 5.1, Page 5-10

Item	Description	Part Number
7	Overload warning	P18848
	french	P18849
	german	P18850
	spanish	P18851
	dutch	P18852
	swedish	P19638
8	Cage Control Panel	P19926
	french	P19926
	german	P19926
	spanish	P19926
	dutch	P19926
	swedish	P19926
9	Cage gate warning	P18335
	french	P18335
	german	P18335
	spanish	P18335
	dutch	P18335
	swedish	P18335
10	Harness point	P32302
	french	P32302
	german	P32302
	spanish	P32302
	dutch	P32302
	swedish	P32302
11	Cage entry 400mm	P18192
	french	P18193
	german	P18194
	spanish	P18195
	dutch	P18196
	swedish	P19633
12	Warning - SWL 225kg	P17328
	french	P17328
	german	P17328
	spanish	P17328
	dutch	P17328
	swedish	P17328

 french
 german
 spanish

labelling

5.1 continued

Item	Description	Part Number
13	niftylift.com	P14390
	french	P14390
	german	P14390
	spanish	P14390
	dutch	P14390
	swedish	P14390

14	Footswitch	P14884
	french	P14885
	german	P13111
	spanish	P14887
	dutch	P16898
	swedish	P19626

15	Operating instructions	P14892
	french	P14892
	german	P14892
	spanish	P14892
	dutch	P14892
	swedish	P14892

16	Clunk Click	P19961
	french	P19961
	german	P19961
	spanish	P19961
	dutch	P19961
	swedish	P19961

17	Cage Tie-down Warning	P21404
	french	P21404
	german	P21404
	spanish	P21404
	dutch	P21404
	swedish	P21404

18	Nifty TD150T - grey	P33391
	french	P33391
	german	P33391
	spanish	P33391
	dutch	P33391
	swedish	P33391

See Figure 5.1, Page 5-10

Item	Description	Part Number
19	Noise warning - 108dB	P35895
	french	P35895
	german	P35895
	spanish	P35895
	dutch	P35895
	swedish	P35895
20	Rotating machinery (USA Only)	P15010
21	Warning - Hot Surfaces	P22314
	french	P22314
	german	P22314
	spanish	P22314
	dutch	P22314
	swedish	P22314
22	No step	P14785
	french	P14785
	german	P14785
	spanish	P14785
	dutch	P14785
	swedish	P14785
23	Drive recovery	P26435
	french	P26435
	german	P26435
	spanish	P26435
	dutch	P26435
	swedish	P26435
24	Crush hazard	P14782
	french	P14782
	german	P14782
	spanish	P14782
	dutch	P14782
	swedish	P14782

 french
 german
 spanish

labelling

5.1 continued

Item	Description	Part Number
25	Point load - 13.0 kN	P14965
	french	P14965
	german	P14965
	spanish	P14965
	dutch	P14965
	swedish	P14965

26	Machine plate (Blank)	P32187
	french	P32187
	german	P32187
	spanish	P32187
	dutch	P32187
	swedish	P32187

27	Outriggers Warning	P14841
	french	P14842
	german	P14843
	spanish	P14844
	dutch	P16262
	swedish	P19624

28	Manual descent	P17854
	french	P17855
	german	P17856
	spanish	P17859
	dutch	P17858
	swedish	P19632

29	Diesel	P14414
	french	P14414
	german	P14414
	spanish	P14414
	dutch	P14414
	swedish	P14414

30	Emergency Controls Location (60mm)	P31869
	french	P31869
	german	P31869
	spanish	P31869
	dutch	P31869
	swedish	P31869

See Figure 5.1, Page 5-10

Item	Description	Part Number
31	Emergency Controls Location	P33133
	french	P33133
	german	P33133
	spanish	P33133
	dutch	P33133
	swedish	P33133
32	General Notice	P21941
	french	P21942
	german	P21943
	spanish	P21944
	dutch	P21945
	swedish	P21947
33	Daily Safety Check List	P14908
	french	P14909
	german	P14910
	spanish	P14911
	dutch	P17318
	swedish	P19629
34	IPAF - Are you trained?	P22055
	french	P22055
	german	P22055
	spanish	P22055
	dutch	P22055
	swedish	P22055
35	Hydraulic Oil	P14415
	french	P14415
	german	P14415
	spanish	P14415
	dutch	P14415
	swedish	P14415
36	Oil fill warning	P18206
	french	P18207
	german	P18208
	spanish	P18209
	dutch	P18210
	swedish	P19635

 french
 german
 spanish

labelling

5.1 continued

Item	Description	Part Number
37	Pressurised Tank	P16365
	french	P17040
	german	P17039
	spanish	P17041
	dutch	P17038
	swedish	P19954

38	Control levers - Base	P14928
	french	P14928
	german	P14928
	spanish	P14928
	dutch	P14928
	swedish	P14928

39	Booms/Jacks changeover	P17571
	french	P17571
	german	P17571
	spanish	P17571
	dutch	P17571
	swedish	P17571

40	Base controls	4 hole	P17219					
		3 hole	P15881					
	french			P17219				
				P15881				
			german			P17219		
						P15881		
					spanish			P17219
								P15881
	dutch							P17219
								P15881
			swedish					P17219
								P15881

41	TM42T (USA Only) - grey	P19595
----	-------------------------	--------

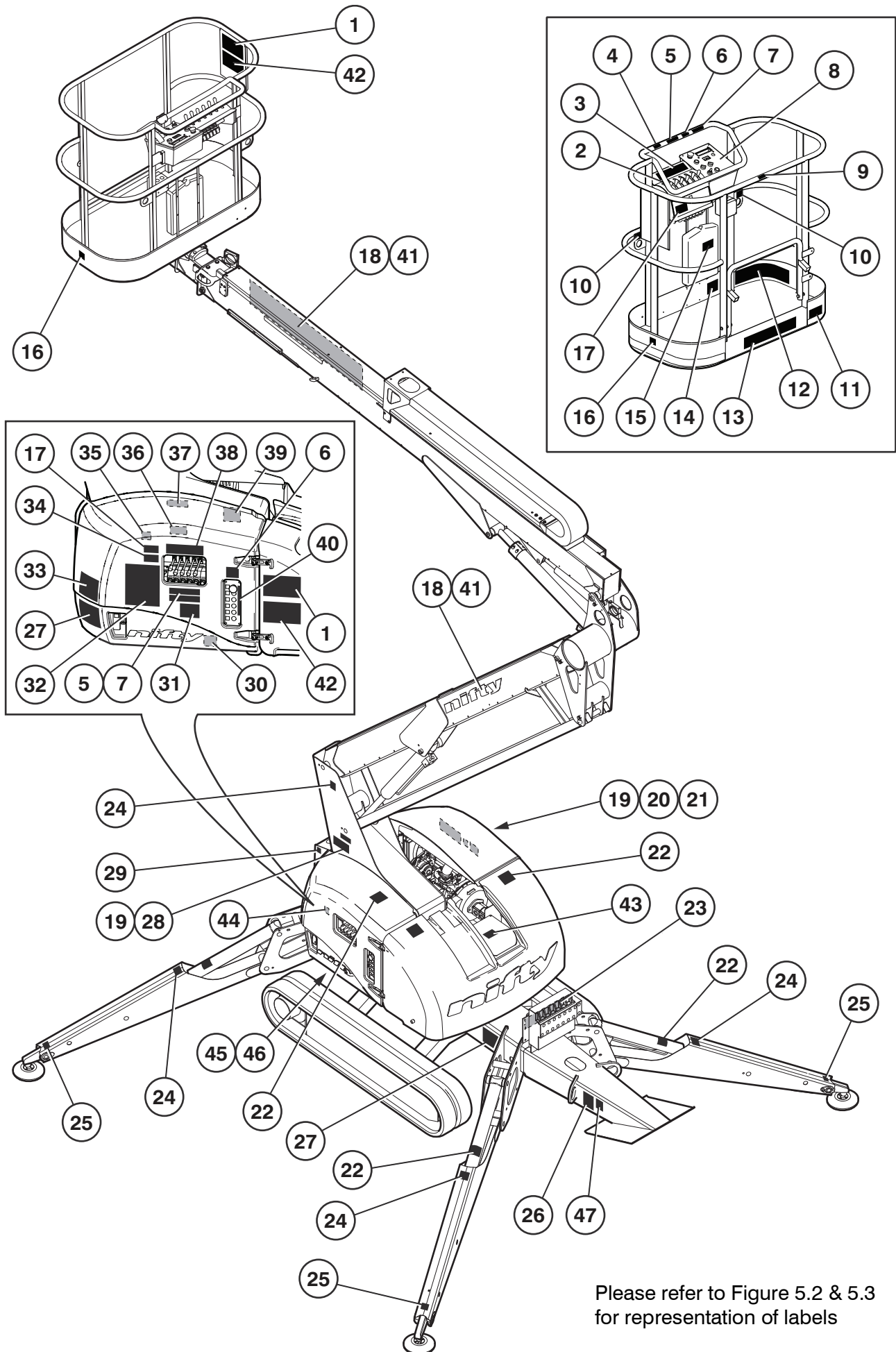
42	General Warning - icons	P29379
	french	P29379
	german	P29379
	spanish	P29379
	dutch	P29379
	swedish	P29379

See Figure 5.1, Page 5-10

Item	Description	Part Number	
43	Disconnect mains	P32248	
	french	P32248	
	german	P32248	
	spanish	P32248	
	dutch	P32248	
	swedish	P32248	
44	Oil fill level	P18252	
	french	P18252	
	german	P18252	
	spanish	P18252	
	dutch	P18252	
	swedish	P18252	
45	Mains power socket	P25891	
	french	P25891	
	german	P25891	
	spanish	P25891	
	dutch	P25891	
	swedish	P25891	
46	Power to cage socket	110V	P26426
		230V	P26862
	french	P26862	
	german	P26862	
	spanish	P26862	
	dutch	P26862	
swedish	P26862		
47	Annual inspection (USA Only)	P33474	

 french
 german
 spanish

labelling



Please refer to Figure 5.2 & 5.3 for representation of labels

Figure 5.1 Label locations TD150T (TD42T)

french
german
spanish

labelling


1 **DANGER**


DO NOT OPERATE THIS MACHINE unless you have been trained in its safe operation. Training includes complete knowledge of the safety and operating instructions contained in the Niftylift manuals, your employer's work rules, and applicable governmental regulations. Inspect the machine before use to ensure it is functioning properly and perform the safety checks listed in the operating manual. This machine must be inspected and serviced as the Niftylift manual requires.


STABILITY HAZARD: Setting up the machine out of horizontal level can render the machine unstable and cause injury or death. The machine must be on a smooth firm level surface or levelled using the stabilisers or outriggers (if fitted) before using the booms. All stabilisers or outriggers must be properly extended. The machine must be set up with the chassis horizontal. Do not remove, alter or disable any components that in any way affect safety or stability. These include but are not limited to engines, batteries and tyres. **IF IN ANY DOUBT CONTACT NIFTYLIFT IMMEDIATELY.**

ELECTROCUTION HAZARD: THIS MACHINE IS NOT INSULATED. Never position any part of the Niftylift within the minimum allowable safe approach distance of any electrical power line or similar conductor. The Niftylift operating manual references the appropriate legislation and the minimum safe approach distance for different voltages as defined by the relevant governing authority.

P23930/01

2 

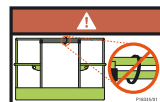
3 


4 

5 **DANGER**
IF TILT ALARM SOUNDS, DESCEND IMMEDIATELY AND CHECK OUTRIGGER/STABILISER SETTINGS.

6 **DANGER**
Death or serious injury may result if emergency stop switch is disabled, blocked or inoperable.

7 **DANGER**
IF OVERLOAD ALARM ACTIVATES, ALL FUNCTIONS WILL HALT. REMOVE EXCESS LOAD IMMEDIATELY IN A SAFE MANNER TO RESTORE FUNCTIONS.

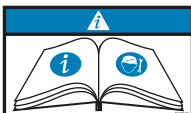
9 

10 


11 **WARNING**
To avoid personal injury, position the booms such that the platform floor is within 400mm (16in) of the ground when entering or exiting the platform.

12 **WARNING**
225KG (500lbs) MAX
80KG (177lbs) + 80KG (177lbs) + 65KG (144lbs)
12.5 m/s (28mph) MAX
400N (90lbs) MAX



14 **DANGER**
Death or serious injury may result if footswitch is disabled, blocked or inoperable.
POWER ON / POWER OFF


15 


16 **Clunk Click!**
Wear a full body harness with a short lanyard in boom type platforms.

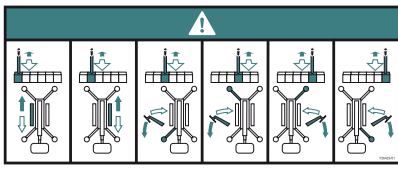
17 


19 **LWA 109dB**


20* **DANGER**
ROTATING AND ELECTRICAL MACHINE HAZARD -KEEP CLEAR- AVOID CONTACT - KEEP A SAFE DISTANCE AWAY OR DEATH OR SERIOUS INJURY MAY RESULT.
 

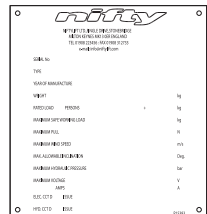
21 

22 

23 


24 **DANGER**
PELIGRO / ACHTUNG / GEWAAR



25 **13.0kN**



26 

27 **WARNING**
Serious injury may result if all four outriggers / stabilisers are not lowered onto a firm level surface and machine base made level ensuring each supporting foot is taking equal weight with the wheels clear of the ground.

28 **EMERGENCY HAND PUMP**
1) Operate & hold machine control lever as normal.
2) Use hand pump to move machine (located inside swing out canopy).
3) Release control lever to halt machine movement, the hydraulic system resets automatically.

29 


30 


31 In the event of an emergency or power failure, auxiliary / manual descent controls can be found inside this canopy, near or next to this symbol.


***TD42T (USA) ONLY**

french
german
spanish

labelling





5-11

issue 03
info@niftylift.com

Figure 5.2 Labels 1-31

32 **NOTICE**

READ THIS BEFORE OPERATING THIS MACHINE
THIS NOTICE DOES NOT REPLACE THE OPERATING MANUAL WHICH SHOULD BE READ BEFORE OPERATING THIS MACHINE FOR THE FIRST TIME

BEFORE USE
Refer to the operating manual located in the platform and perform the daily maintenance / check routine as required. Read all labels on the machine.

ACTIVATING THE MACHINE

1. Ensure that all Red Emergency Stops are out.
2. Turn the key switch at the ground control station to activate the platform or base control.
3. Ensure that the hydraulic selector valve is in the correct position for the chosen control station (if applicable).
4. To start the engine turn the engine selector to the 'Start' (M) position, the engine will fire.
5. To use battery power (if applicable): turn the platform selector to the 'Battery' (B) position.
6. Cold diesel engines: Push and hold the 'Slow' button (S) or turn the engine selector to 'Glow' (G) for 10 seconds (as applicable) then turn the selector to the 'Start' position and the engine will fire.

DRIVE AND STEER

1. Raise the fibrous (if applicable) to prevent damage to platform when climbing slopes and improve visibility.
2. Select the desired speed using the selector.
3. While activating the machine's driver/steer power function, (Green button/Footswitch/Duty Selector as applicable) operate the drive controls in accordance with the machine's operating manual.
4. Use the colour coded arrows on the platform controls and chassis to determine which direction the machine will travel.
5. For a controlled stop slowly return the joystick to the neutral position.
6. For a quick stop release the joystick. (WARNING: The machine will run-on a short distance)
7. To halt the machine in an emergency, press the emergency stop button. (WARNING: This may un-balance the operator).

OUTRIGGER OPERATION

1. Position the Niftyft on firm, level ground. Never work with base across or adjacent to any slope.
2. Position the Niftyft, booms in mid range of boom movement so that any overhead obstruction or possible hazards such as, but not limited to power cables, telephone lines, drains, manhole covers etc. are avoided.
3. If the load bearing capacity of the ground is in any doubt the machine must not be used.
4. Cord off area using appropriate cones, barriers and flags.
5. To deploy the outriggers refer to the decals at the outrigger control station.

ALWAYS LOWER BOOMS FULLY BEFORE ADJUSTING, RAISING, RETRACTING OR MOVING THE OUTRIGGERS IN ANY WAY.

BOOM OPERATION

1. Press and hold the green power button (or footswitch).
2. Slowly move the desired control according to the markings on the control panel.

EMERGENCY STOP
Pushing-in an emergency stop will stop all functions.

MANUAL DESCENT HAND PUMP
In the event that the controls fail, the booms & outriggers can be operated by using the hand pump near to the base controls.

AFTER USE

1. Return the machine to the stowed position.
2. Turn the key switch to the 'Off' position.
3. Remove all keys. Chock wheels (if applicable).

P21941.01

33 **WARNING**

DAILY SAFETY CHECK LIST

NEVER OPERATE A FAULTY MACHINE AS THIS MAY RESULT IN SERIOUS INJURY OR DEATH

1. Labels & Manuals: Check all labels, placards and Operating & Safety manual located in the box within the platform) are in place and legible.
2. Structure: Check there are no loose, missing, damaged or malfunctioning components including but not limited to: chassis, booms, platform, platform gate (free to close under gravity), all works, guards, covers, boom clamps, brakes, wheels, tyres and outriggers / stabilisers (if applicable). Ensure that platform is free from debris, grease or oil that could cause slipping or tripping hazards.
3. Warnings & Switches: Check there are no loose, missing, damaged or malfunctioning components including but not limited to: platform load sensor, tilt sensor and / or alarm horn, foot pedal, high engine and / or high drive limit switches, micro switches, lights and bezels.
4. Controls: Check all operating, emergency and manual descent controls function correctly - select an area free from obstructions and hazards, and exercise extreme caution.
5. Power Systems: Check batteries, engine oil and coolant (if applicable) for condition, cleanliness, electrical cables and wiring.
6. Hoses & Wiring: Check there is no damage to or leaks from hydraulic, fuel and air systems, connections and correct fluid levels.
7. Personal Protective Equipment: Check that full body safety harnesses, short lanyards, and hand hats are in good condition and fit for purpose.
8. More Information: Refer to Operating & Safety manual for further periodic checks & inspections.

P140804

35

ISO 22/32
P144120.001

36 **NOTICE**

BEFORE TOPPING UP HYDRAULIC OIL, ENSURE THAT MACHINE IS LEVEL, TELESCOPE IS FULLY RETRACTED, BOOMS ARE DOWN AND OUTRIGGERS ARE FULLY STOWED

37 **WARNING**

TANK MAY BE PRESSURISED - REMOVE CAP WITH CAUTION OPEN SLOWLY, WAIT UNTIL OIL HAS COOLED.

P2088001

38

P14320001

39

P12571.004

40

P1832.002

42

P20870.01

43

P32248.002

44

P1832.002

45

P25881.002

46

P26860.001

P26426.001

47* **WARNING**

ANNUAL INSPECTION

SERIAL No. _____

DATE	QUALIFIED PERSON	NEXT DUE DATE

As stated by ANS& and CSA standards this equipment requires an annual inspection. Annual Inspection should be performed no later than thirteen (13) months from the date of the prior annual inspection in addition to the regular recommended checks.

serviceteam@niftylift.com P32600

*TD42T (USA) ONLY

Figure 5.3 Labels 32-47

