

# Rammers



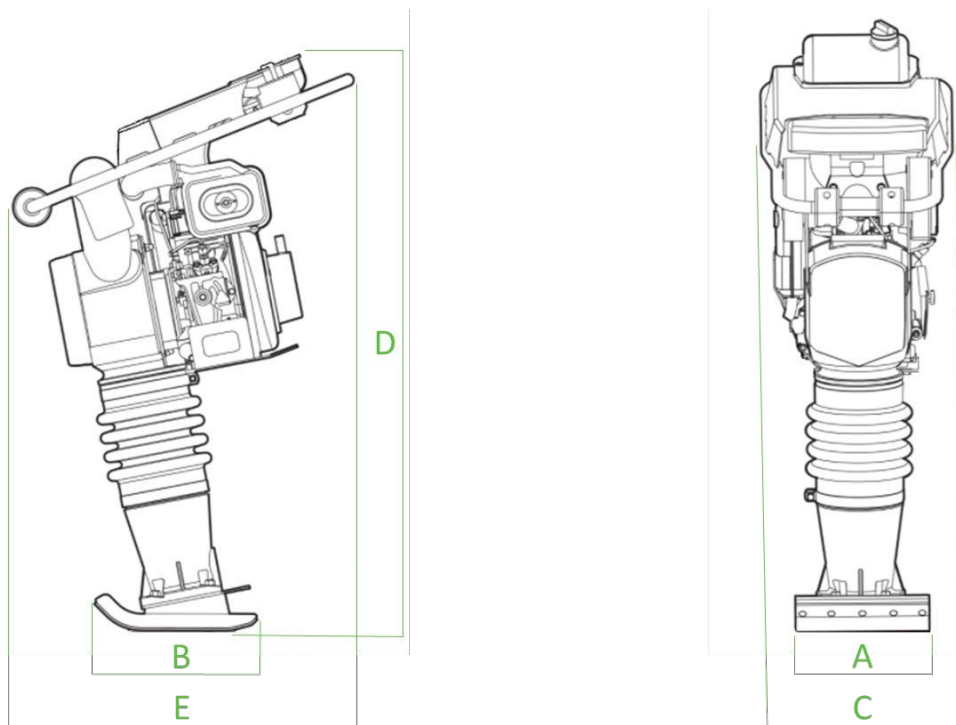
PR70H

## Rammer Technical Specifications

Weight	PR40H	PR60H	PR70H
Operating Weight	123 lb	149 lb	158 lb

Performance Data	PR40H	PR60H	PR70H
Blows per Minute Max	699 bpm	695 bpm	680 bpm
Shoe Jump Height	2.2 in	3.3 in	3.1 in
Impact Force	1215 lbf	2922 lbf	3147 lbf

Engine	PR40H	PR60H	PR70H
Engine Manufacturer	Honda	Honda	Honda
Engine Model	GXR120	GXR120	GXR120
Output Power	4 hp	3 hp	4 hp
Fuel Tank Capacity	.52 gal	.74 gal	.74 gal



Dimensions		PR40H	PR60H	PR70H
Shoe Width	A	11 in	11 in	11 in
Shoe Length	B	13 in	13 in	13 in
Overall Width	C	13.8 in	17 in	17 in
Overall Height	D	43.7 in	40 in	40 in
Overall Length	E	24.5 in	28.5 in	30 in