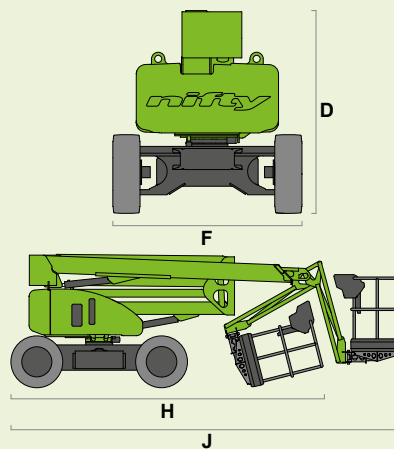
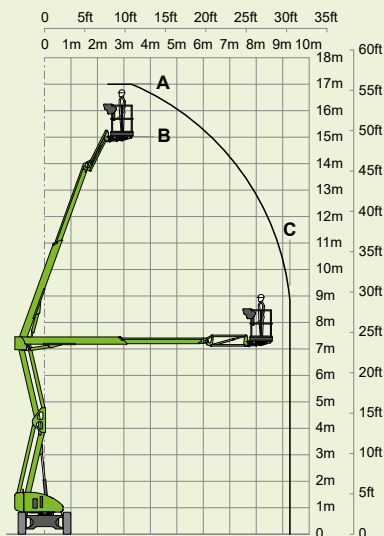


niftylift

SP50E




Niftylink®



SiOPS® **All-Electric**
toughcage **Niftylink®**

(A) 56ft 6in



(B) 50ft



(C) 31ft



500lbs



5ft 11in x 2ft 9in



150°



180°



(D) 6ft 11in



(F) 6ft 7in



(H) 15ft 9in



(J) 20ft 10in



3.7mph



12ft 2in



35%
19°



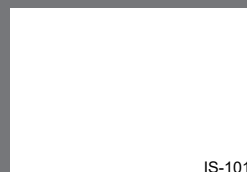
10960lbs



All-Electric



niftylift
1438 S. Buncombe Road,
Greer, SC - 29651
United States
1-800-643-8954
usasales@niftylift.com
www.niftylift.com



IS-101