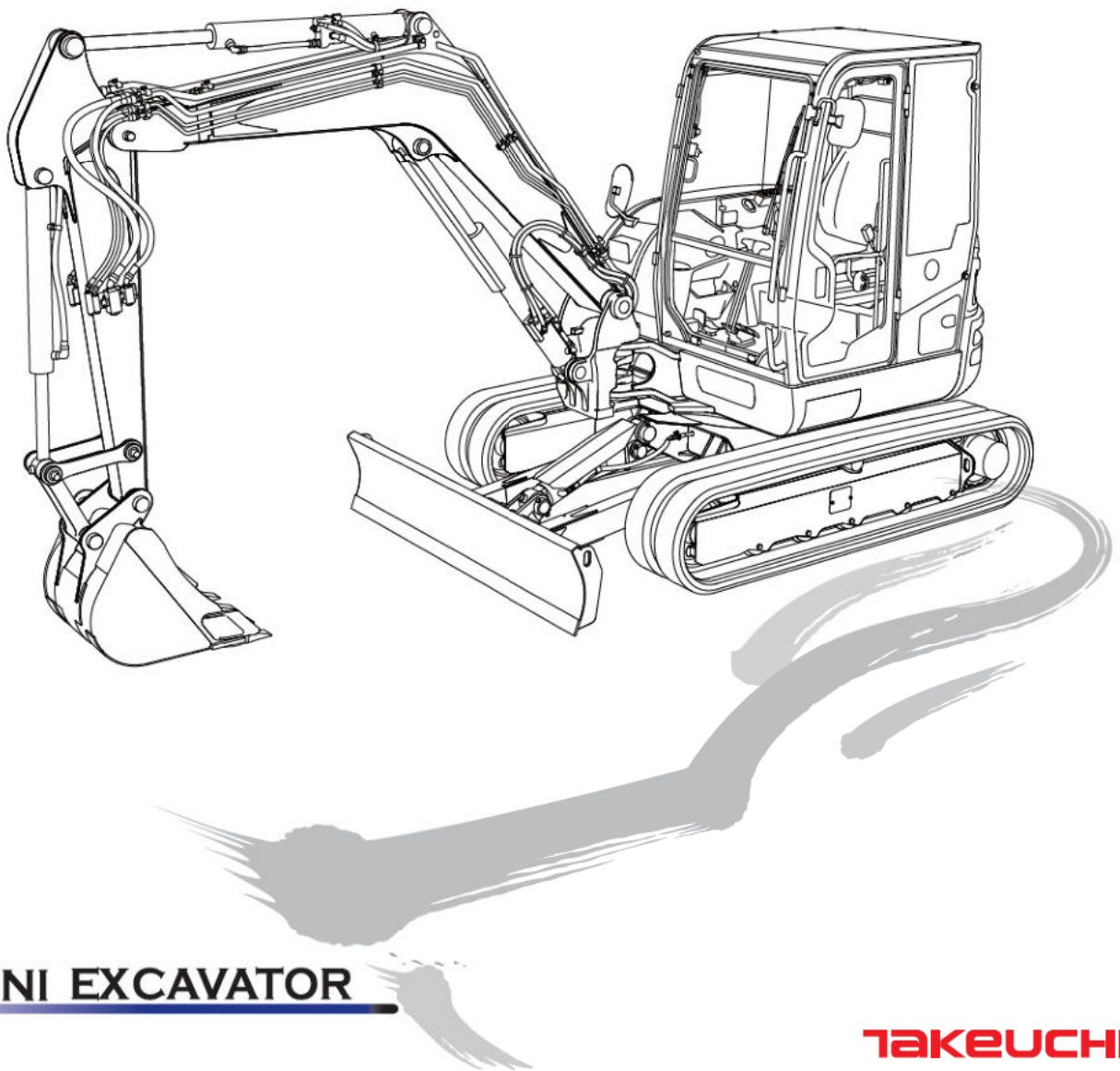


PARTS MANUAL

TB260

TB260 [P-TB260B-AM] Book No. BQ1Z002-5-0 S/N 126100003-



MINI EXCAVATOR

TAKEUCHI

UNDERCARRIAGE

LOWER FRAME 1
CENTER GUIDE (option) 3
CRAWLER BELT (rubber) 5
CRAWLER BELT (steel) 7
CRAWLER BELT (segment rubber crawler) 9
RUBBER PADS 11
CRAWLER GUIDE (for steel crawler) 13
CARRIER ROLLER 15
TRACK ROLLER 17
FRONT IDLER 19
TRACK ADJUSTER 21
TRAVEL DEVICE 23
SLEW BEARING 25
SWIVEL JOINT & ACCESSORIES 27
SWIVEL JOINT & ACCESSORIES (angle blade type) 29
DOZER BLADE 31
DOZER BLADE (angle blade type) 33
PIPING; LOWER 37
PIPING; LOWER (angle blade type) 39
PIPING; LOWER (with aux. line) 41

TURNTABLE & CONTROL LEVER

SLEWING DEVICE 43
TURNTABLE (cab) 45
TURNTABLE (canopy) 49
BOOM SWING 53
SWING STOPPER 55
TRAVEL LEVER & SWING PEDAL 57
TRAVEL LEVER & SWING PEDAL (with travel alarm) 61
DOZER BLADE LEVER 65
DOZER BLADE LEVER (angle blade type) (cab) 67
DOZER BLADE LEVER (angle blade type) (canopy) 69
OPERATION LEVER & STAND (L.H.) (cab) 71
OPERATION LEVER & STAND (R.H.) (cab) 75
OPERATION LEVER & STAND (L.H.) (canopy) (126100003-126100563) 77
OPERATION LEVER & STAND (L.H.) (canopy) (126100564-) 81
OPERATION LEVER & STAND (R.H.) (canopy) (126100003-126100563) 85
OPERATION LEVER & STAND (R.H.) (canopy) (126100564-) 87
PIPING; OPERATION LEVER 1 89
PIPING; OPERATION LEVER 2 91
PIPING; OPERATION LEVER (A-G pattern) (cab) 1 93
PIPING; OPERATION LEVER (A-G pattern) (cab) 2 97
PIPING; OPERATION LEVER (A-G pattern) (canopy) 1 99
PIPING; OPERATION LEVER (A-G pattern) (canopy) 2 103
PIPING; OPERATION LEVER (A-G pattern) (without shut-off valve) 1 105
PIPING; OPERATION LEVER (A-G pattern) (without shut-off valve) 2 109

ENGINE & ELECTRICAL SYSTEM

ENGINE & ACCESSORIES (1/3) (cab) 126100003-126100075) 1 111
ENGINE & ACCESSORIES (1/3) (cab; 126100003-126100075) 2 115
ENGINE & ACCESSORIES (1/3) (cab) (126100076-) 1 119
ENGINE & ACCESSORIES (1/3) (cab) (126100076-) 2 123
ENGINE & ACCESSORIES (2/3) (cab) 127
ENGINE & ACCESSORIES (1/3) (canopy) 1 131
ENGINE & ACCESSORIES (1/3) (canopy) 2 135
ENGINE & ACCESSORIES (2/3) (canopy) 139
ENGINE & ACCESSORIES (3/3) (air cleaner) 143
CONTROL BOX (R.H.) (cab) 145

CONTROL BOX (R.H.) (canopy)	147
CONTROL BOX (L.H.) (cab)	151
CONTROL BOX (L.H.) (canopy)	153
ELECTRICAL (with travel alarm) 1	155
ELECTRICAL (with travel alarm) 2	157
ELECTRICAL (with travel alarm) 3	159
ELECTRICAL (with travel alarm) 4	163
ELECTRICAL (canopy) 1	167
ELECTRICAL (canopy) 2	169
ELECTRICAL (canopy) 3	171
ELECTRICAL (canopy) 4	173
GPS DEVICE (cab)	175
GPS DEVICE (canopy)	177
BATTERY	179
CAB LIGHT	181
REAR LIGHT	183
WINDOW WASHER	185
RADIO	187

HYDRAULIC PIPING & TANK

GREASE PIPING	189
VALVE & ACCESSORIES (1/2) (3rd aux. line plug type) 1	191
VALVE & ACCESSORIES (1/2) (3rd aux. line plug type) 2	193
VALVE & ACCESSORIES (1/2) (3rd aux. line plug type & with auto tank) 1	197
VALVE & ACCESSORIES (1/2) (3rd aux. line plug type & with auto tank) 2	199
VALVE & ACCESSORIES (2/2) (3rd aux. line plug type)	203
VALVE & ACCESSORIES (1/2) (with 3rd aux. line) 1	207
VALVE & ACCESSORIES (1/2) (with 3rd aux. line) 2	209
VALVE & ACCESSORIES (2/2) (with 3rd aux. line)	213
VALVE & ACCESSORIES (1/2) (with 4th aux. line, auto tank & auto pressure release) 1	217
VALVE & ACCESSORIES (1/2) (with 4th aux. line, auto tank & auto pressure release) 2	219
VALVE & ACCESSORIES (2/2) (with 4th aux. line, auto tank & auto pressure release)	225
VALVE & ACCESSORIES (1/2) (with blade float) 1	229
VALVE & ACCESSORIES (1/2) (with blade float) 2	231
VALVE & ACCESSORIES (2/2) (with blade float)	235
VALVE & ACCESSORIES (1/2) (for angle blade) 1	239
VALVE & ACCESSORIES (1/2) (for angle blade) 2	241
VALVE & ACCESSORIES (2/2) (angle blade type)	245
VALVE & ACCESSORIES (1/2) (angle blade type) (without shut-off valve) 1	249
VALVE & ACCESSORIES (1/2) (angle blade type) (without shut-off valve) 2	251
VALVE & ACCESSORIES (2/2) (angle blade type) (without shut-off valve)	255
AUTO DECEL	259
ACCUMULATOR	261
PIPING; UPPER (3rd aux. line plug type) 1	263
PIPING; UPPER (3rd aux. line plug type) 2	265
PIPING; UPPER (3rd aux. line plug type) 3	267
PIPING; UPPER (3rd aux. line plug type & with auto tank) 1	269
PIPING; UPPER (3rd aux. line plug type & with auto tank) 2	271
PIPING; UPPER (3rd aux. line plug type & with auto tank) 3	273
PIPING; UPPER (with 3rd aux. line) 1	275
PIPING; UPPER (with 3rd aux. line) 2	277
PIPING; UPPER (with 3rd aux. line) 3	279
PIPING; UPPER (with 3rd aux. line) 4	281
PIPING; UPPER (with 4th aux. line, auto tank & auto pressure release) 1	283
PIPING; UPPER (with 4th aux. line, auto tank & auto pressure release) 2	285
PIPING; UPPER (with 4th aux. line, auto tank & auto pressure release) 3	287
PIPING; UPPER (with 4th aux. line, auto tank & auto pressure release) 4	289
PIPING; UPPER (with blade float) 1	291
PIPING; UPPER (with blade float) 2	293
PIPING; UPPER (with blade float) 3	295

PIPING; UPPER (with blade float) 4	297
PIPING; UPPER (angle blade type) 1	299
PIPING; UPPER (angle blade type) 2	301
PIPING; UPPER (angle blade type) 3	303
PIPING; UPPER (angle blade type) 4	305
PIPING; UPPER (angle blade type) (without shut-off valve) 1	307
PIPING; UPPER (angle blade type) (without shut-off valve) 2	309
PIPING; UPPER (angle blade type) (without shut-off valve) 3	311
PIPING; UPPER (angle blade type) (without shut-off valve) 4	313
PUMP DRIVE	315
HYDRAULIC TANK (1/2)	317
HYDRAULIC TANK (2/2)	319
FUEL TANK & FUEL PIPING (1/2) (126100003-126100031) 1	321
FUEL TANK & FUEL PIPING (1/2) (126100003-126100031) 2	323
FUEL TANK & FUEL PIPING (2/2) (126100003-126100031)	327
FUEL TANK & FUEL PIPING (1/2) (126100032-) 1	329
FUEL TANK & FUEL PIPING (1/2) (126100032-) 2	331
FUEL TANK & FUEL PIPING (2/2) (126100032-126100940)	335
FUEL TANK & FUEL PIPING (2/2) (126100941-)	337
FUEL TANK & FUEL PIPING (1/3) (with fuel supply pump) 1	339
FUEL TANK & FUEL PIPING (1/3) (with fuel supply pump) 2	343
FUEL TANK & FUEL PIPING (2/3) (with fuel supply pump) (126100003-126100940)	347
FUEL TANK & FUEL PIPING (2/3) (with fuel supply pump) (126100941-)	349
FUEL TANK & FUEL PIPING (3/3) (with fuel supply pump)	351

COVER & CAB

COVER (1/3) (cab)	353
COVER (2/3) (cab) (engine hood)	357
COVER (1/3) (canopy)	361
COVER (2/3) (canopy) (engine hood)	365
COVER (3/3) (side cover)	369
FLOOR FRAME (1/2) (cab) (126100003-126100081)	371
FLOOR FRAME (2/2) (cab) (126100003-126100081)	375
FLOOR FRAME (1/2) (cab) (126100082-)	377
FLOOR FRAME (2/2) (cab) (126100082-)	381
FLOOR FRAME (1/2) (canopy) (126100003-126100097)	383
FLOOR FRAME (2/2) (canopy) (126100003-126100097)	387
FLOOR FRAME (1/2) (canopy) (126100098-)	389
FLOOR FRAME (2/2) (canopy) (126100098-)	393
FLOOR MAT (cab)	395
FLOOR MAT (cab) (with foot switch)	397
FLOOR MAT (canopy)	399
SEAT (1/2) (cab)	401
SEAT (1/2) (canopy)	403
SEAT (2/2) (cab) (126100003-126101887)	405
SEAT (2/2) (canopy) (126100003-126101926)	407
SEAT (2/2) (cab) (126101888-)	409
SEAT (2/2) (canopy) (126101927-)	415
CAB MOUNT	421
CAB (1/4) 1	423
CAB (1/4) 2	427
CAB (1/4) 3	429
CAB (1/4) 4	431
CAB (2/4) (door)	435
CAB (3/4) (front sash) (126100003-126100061)	437
CAB (3/4) (front sash) (126100062-)	439
CAB (4/4) (side sash)	441
CAB INTERIOR 1	443
CAB INTERIOR 2	447
CAB INTERIOR (with auto tank switch) 1	451

CAB INTERIOR (with auto tank switch) 2	455
SWITCH	459
CANOPY	461
FRONT GUARD	465
RAIN GUARD	467
FRONT STAY	469
REAR STAY	471
ROOF GUARD	473
AIR CONDITIONER (1/4) (compressor)	475
AIR CONDITIONER (2/4) (condenser)	477
AIR CONDITIONER (3/4) (air-conditioner unit-1) 1	479
AIR CONDITIONER (3/4) (air-conditioner unit-1) 2	481
AIR CONDITIONER (4/4) (air-conditioner unit-2)	483

HOE ATTACHMENT

BOOM (1/4) (with shut-off valve + 2nd aux. line)	485
BOOM (2/4) (with shut-off valve + 2nd aux. line)	489
BOOM (1/4) (with boom shut-off valve + 2nd aux. line)	491
BOOM (2/4) (with boom shut-off valve + 2nd aux. line)	495
BOOM (1/4) (with shut-off valve + 3rd aux. line)	497
BOOM (2/4) (with shut-off valve + 3rd aux. line)	501
BOOM (1/4) (with shut-off valve + 4th aux. line)	503
BOOM (2/4) (with shut-off valve + 4th aux. line)	507
BOOM (3/4) (boom cylinder) (with shut-off valve)	509
BOOM (4/4) (arm cylinder) (with shut-off valve)	511
BOOM (4/4) (arm cylinder)	513
ARM (1/2) (for U.S.) (long arm) (with 2nd aux. line)	515
ARM (2/2) (for U.S.) (long arm) (with 2nd aux. line)	519

DECAL & TOOL

DECAL (cab) (English, for U.S.) 1	521
DECAL (cab) (English, for U.S.) 2	525
DECAL (canopy) (English, for U.S.) 1	529
DECAL (canopy) (English, for U.S.) 2	533
DECAL (foot switch)	537
DECAL (grip button) (cab)	539
DECAL (grip button) (canopy)	541
DECAL (breaker)	543
DECAL (selector valve) (cab)	545
DECAL (selector valve) (canopy)	547
DECAL (selector valve) (A-B pattern)	549
DECAL (angle blade) (cab)	551
DECAL (angle blade) (canopy)	553
TOOL & ACCESSORIES	555
PAINTED COLOR (cab)	557
PAINTED COLOR (cab) (for Sunbelt Rentals)	559
PAINTED COLOR (canopy)	561
PAINTED COLOR (canopy) (for Sunbelt Rentals)	563
MAINTENANCE TOOL KIT	565
GRIP PATTERN CHANGE KIT	567

HYDRAULIC DEVICE

SWIVEL JOINT	569
SWIVEL JOINT (angle blade type)	571
CONTROL VALVE	573
CONTROL VALVE (with 3rd aux. line)	575
BLOCK ASSY; No. 1	577
BLOCK ASSY; No. 2	579
BLOCK ASSY; No. 3	581
BLOCK ASSY; No. 5	583

BLOCK ASSY; No. 6	585
BLOCK ASSY; No. 7	587
BLOCK ASSY; No. 8	589
BLOCK ASSY; No. 9	591
BLOCK ASSY; No. 10	593
BLOCK ASSY; No. 10 (with 3rd aux. line)	595
BLOCK ASSY; No. 11 (angle blade type)	597
BLOCK ASSY; No. 11 (with 3rd aux. line)	599
BLOCK ASSY; No. 12 (angle blade type)	601
BLOCK ASSY; No. 12 (with 3rd aux. line)	603
BLOCK ASSY; No. 13 (with 3rd aux. line)	605
BLOCK ASSY; No. 14	607
PILOT VALVE (R.H.) (3-switch type)	609
PILOT VALVE (R.H.) (4-switch type)	611
PILOT VALVE (L.H.) (3-switch type)	613
HANDLE (3-switch type)	615
HANDLE (4-switch type)	617
SOLENOID VALVE; 1 BLOCK (with auto pressure release)	619
SOLENOID VALVE; 1 BLOCK (with auto tank)	621
SOLENOID VALVE; 1 BLOCK	623
SOLENOID VALVE; 1 BLOCK (with 3rd aux. line)	625
SOLENOID VALVE; 1 BLOCK (with 4th aux. line)	627
SOLENOID VALVE; 2 BLOCKS (for angle blade)	629
SOLENOID VALVE; 4 BLOCKS	631
REMOTE CONTROL VALVE (travel)	633
REMOTE CONTROL VALVE (swing)	635
REMOTE CONTROL VALVE (dozer blade)	637
REMOTE CONTROL VALVE (angle blade)	639
SELECTOR VALVE (A-G pattern)	641
SHUT-OFF VALVE (boom) (126100003-126102002)	643
SHUT-OFF VALVE (boom) (126102003-)	645
SHUT-OFF VALVE (arm) (126100003-126101991)	647
SHUT-OFF VALVE (arm) (126101992-)	649
BOOM CYLINDER	651
ARM CYLINDER	653
BUCKET CYLINDER	655
SWING CYLINDER	657
DOZER BLADE CYLINDER	659
ANGLE BLADE CYLINDER	661
TRAVEL MOTOR (1/3) (reduction sec.) (126100003-126101286)	663
TRAVEL MOTOR (2/3) (motor sec.) (126100003-126101286)	665
TRAVEL MOTOR (3/3) (valve sec.) (126100003-126101286)	667
TRAVEL MOTOR (1/3) (reduction sec.) (126101287-)	669
TRAVEL MOTOR (2/3) (motor sec.) (126101287-)	671
TRAVEL MOTOR (3/3) (valve sec.) (126101287-)	673
SLEW MOTOR (1/2) (reduction sec.)	675
SLEW MOTOR (2/2) (motor sec.)	677
HYDRAULIC PUMP (1/3) 1	681
HYDRAULIC PUMP (2/3) 2	683
HYDRAULIC PUMP (3/3) 3	685

ENGINE - YANMAR 4TNV86CT-PTB (CAB) S/N 126100003-

CYLINDER BLOCK ASSY

Fig.1 CYLINDER BLOCK	689
----------------------	-----

GEAR HOUSING

Fig.2 GEAR HOUSING	691
--------------------	-----

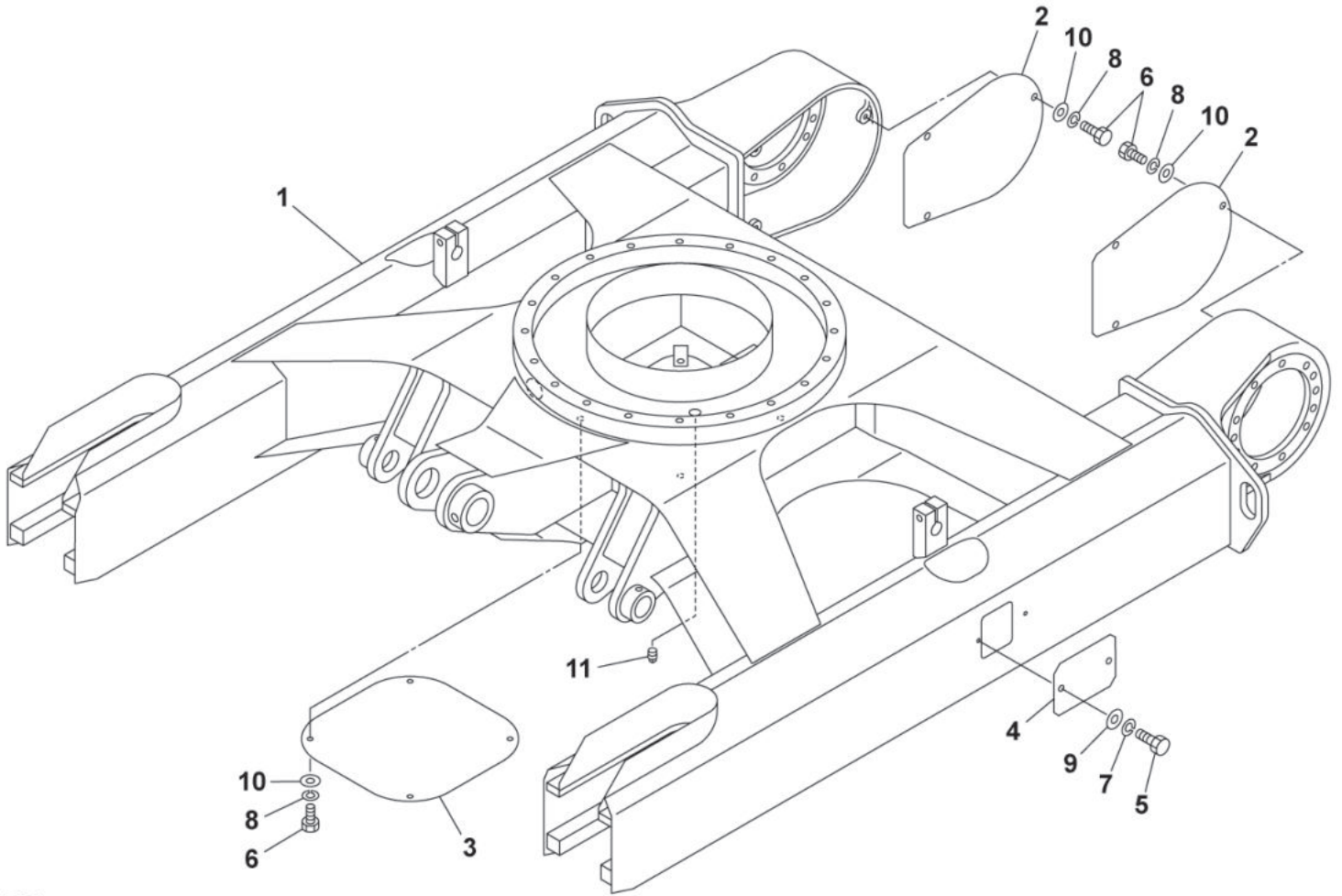
FLYWHEEL HOUSING & OIL SUMP

Fig.3 FLYWHEEL HOUSING & OIL SUMP	693
CYLINDER HEAD & BONNET	
Fig.4 CYLINDER HEAD & BONNET	695
SUCTION MANIFOLD	
Fig.5 SUCTION MANIFOLD	699
EXHAUST MANIFOLD	
Fig.6 EXHAUST MANIFOLD	701
DIESEL PARTICULATE FILTER (DPF)	
Fig.7 DIESEL PARTICULATE FILTER (DPF)	705
DPF CLEANING PROGRAM REV 021418	709
DPF CLEANING ORDER FORM - REV 021418	711
CAMSHAFT & DRIVING GEAR	
Fig.8 CAMSHAFT & DRIVING GEAR	712
TURBINE	
Fig.9 TURBINE	715
CRANKSHAFT & PISTON	
Fig.10 CRANKSHAFT & PISTON	717
LUBE OIL SYSTEM	
Fig.11 LUB.OIL SYSTEM	719
LUB OIL PIPE	
Fig.12 LUB.OIL PIPE	721
COOLING WATER SYSTEM	
Fig.13 COOLING WATER SYSTEM	723
FUEL SUPPLY PUMP	
Fig.14 FUEL SUPPLY PUMP	727
FUEL INJECTION VALVE	
Fig.15 FUEL INJECTION VALVE	729
FUEL PIPE	
Fig.16 FUEL PIPE	731
STARTING MOTOR	
Fig.17 STARTING MOTOR	733
GENERATOR	
Fig.18 GENERATOR	735
ELECTRONIC CONTROL UNIT (ECU)	
Fig.19 ELECTRONIC CONTROL UNIT (ECU)	739
ELECTRIC PARTS	
Fig.20 ELECTRIC PARTS	741
GASKET SET	
Fig.21 GASKET SET	743

CYLINDER BLOCK ASSY	
Fig.1 CYLINDER BLOCK	747
GEAR HOUSING	
Fig.2 GEAR HOUSING	749
FLYWHEEL HOUSING & OIL SUMP	
Fig.3 FLYWHEEL HOUSING & OIL SUMP	751
CYLINDER HEAD & BONNET	
Fig.4 CYLINDER HEAD & BONNET	753
SUCTION MANIFOLD	
Fig.5 SUCTION MANIFOLD	757
EXHAUST MANIFOLD	
Fig.6 EXHAUST MANIFOLD	759
DIESEL PARTICULATE FILTER (DPF)	
Fig.7 DIESEL PARTICULATE FILTER (DPF)	763
DPF CLEANING PROGRAM REV 021418	767
DPF CLEANING ORDER FORM - REV 021418	769
CAMSHAFT & DRIVING GEAR	
Fig.8 CAMSHAFT & DRIVING GEAR	770
TURBINE	
Fig.9 TURBINE	773
CRANKSHAFT & PISTON	
Fig.10 CRANKSHAFT & PISTON	775
LUBE OIL SYSTEM	
Fig.11 LUB.OIL SYSTEM	777
LUB OIL PIPE	
Fig.12 LUB.OIL PIPE	779
COOLING WATER SYSTEM	
Fig.13 COOLING WATER SYSTEM	781
FUEL SUPPLY PUMP	
Fig.14 FUEL SUPPLY PUMP	785
FUEL INJECTION VALVE	
Fig.15 FUEL INJECTION VALVE	787
FUEL LINE	
Fig.16 FUEL PIPE	789
STARTING MOTOR	
Fig.17 STARTING MOTOR	791
GENERATOR	
Fig.18 GENERATOR	793
ELECTRONIC CONTROL UNIT (ECU)	
Fig.19 ELECTRONIC CONTROL UNIT (ECU)	795

ELECTRIC PARTS	
Fig.20 ELECTRIC PARTS	797
GASKET SET	
Fig.21 GASKET SET	799
KITS, ATTACHMENTS & QUICK REFERENCE	
BLOCK HEATERS	803
BUCKETS-BLADES-ATTACHMENTS (TB260)	805
EXCAVATOR ATTACHMENT MOUNT QUICK REFERENCE GUIDE	807
QUICK COUPLER (TB260)	808
RECOMMENDED STOCK LIST (TB260)	811
TAKEUCHI FLEET MANAGEMENT COMPONENT GUIDE	814
TFM-FUSE DETAIL 11-18-16	821
THUMBS (TB260)	827
Appendix A:Pages Index	829
Appendix B:Parts Index	832

UNDERCARRIAGE LOWER FRAME

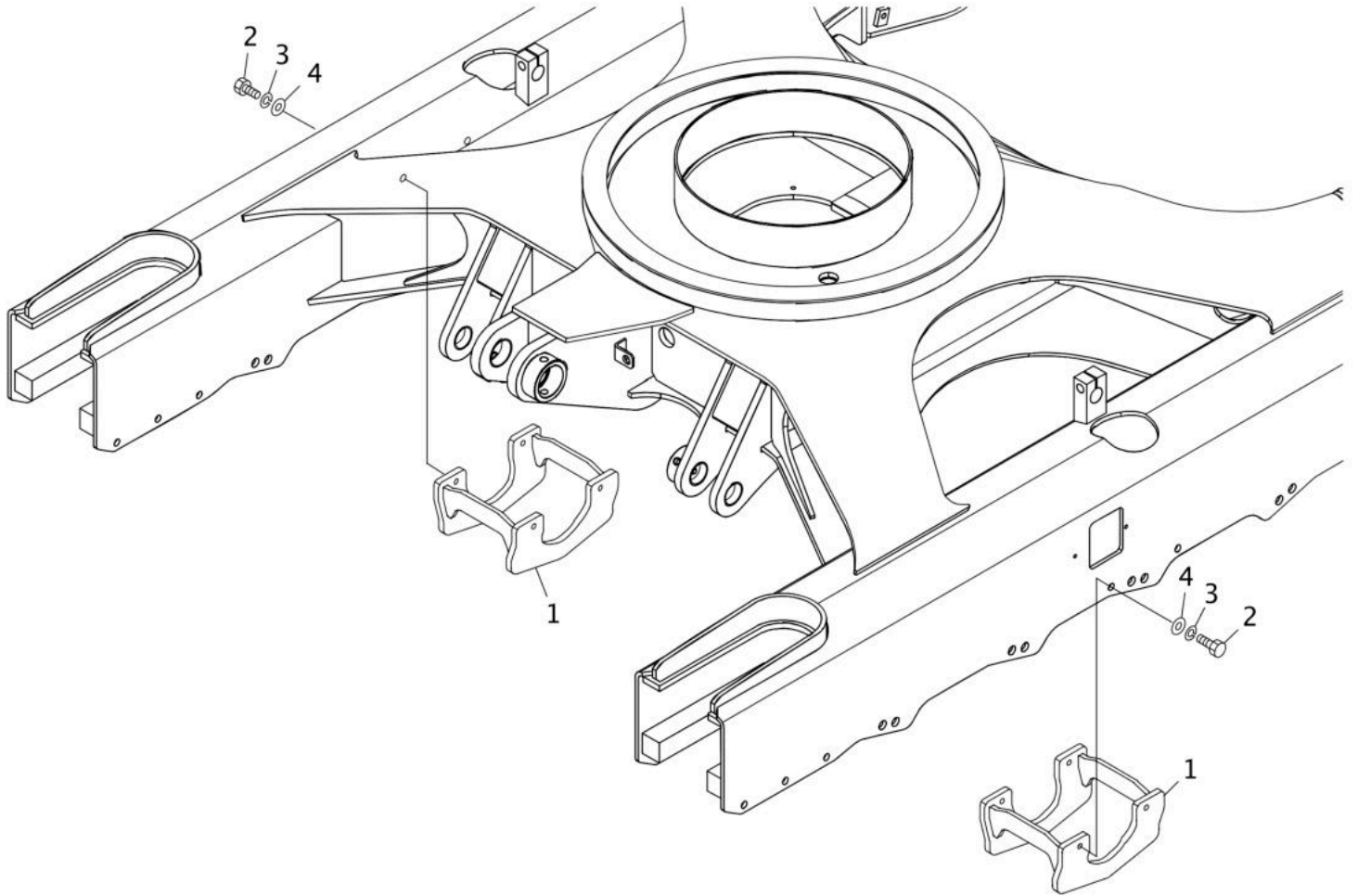


K7A010

S-free

Item	Part No.	Name	Qty	Uom	Remarks	SERIAL NUMBER
Not Shown	PNNA	FRAME ASSY, lower		EA		
1	X*****	FRAME	1	EA		
2	0391013002	COVER	2	EA		
3	0391004003	COVER	1	EA		
4	0561017400	COVER	2	EA		
5	1100090816	BOLT	4	EA		
6	1100051020	BOLT (10TM10 X 20 P/1.5)	10	EA		
7	1140020008	WASHER, spring	4	EA		
8	1140020010	WASHER, spring	10	EA		
9	1141110008	WASHER	4	EA		
10	1141110010	WASHER, plain	10	EA		
11	1508710010	PLUG	1	EA		

UNDERCARRIAGE CENTER GUIDE (option)

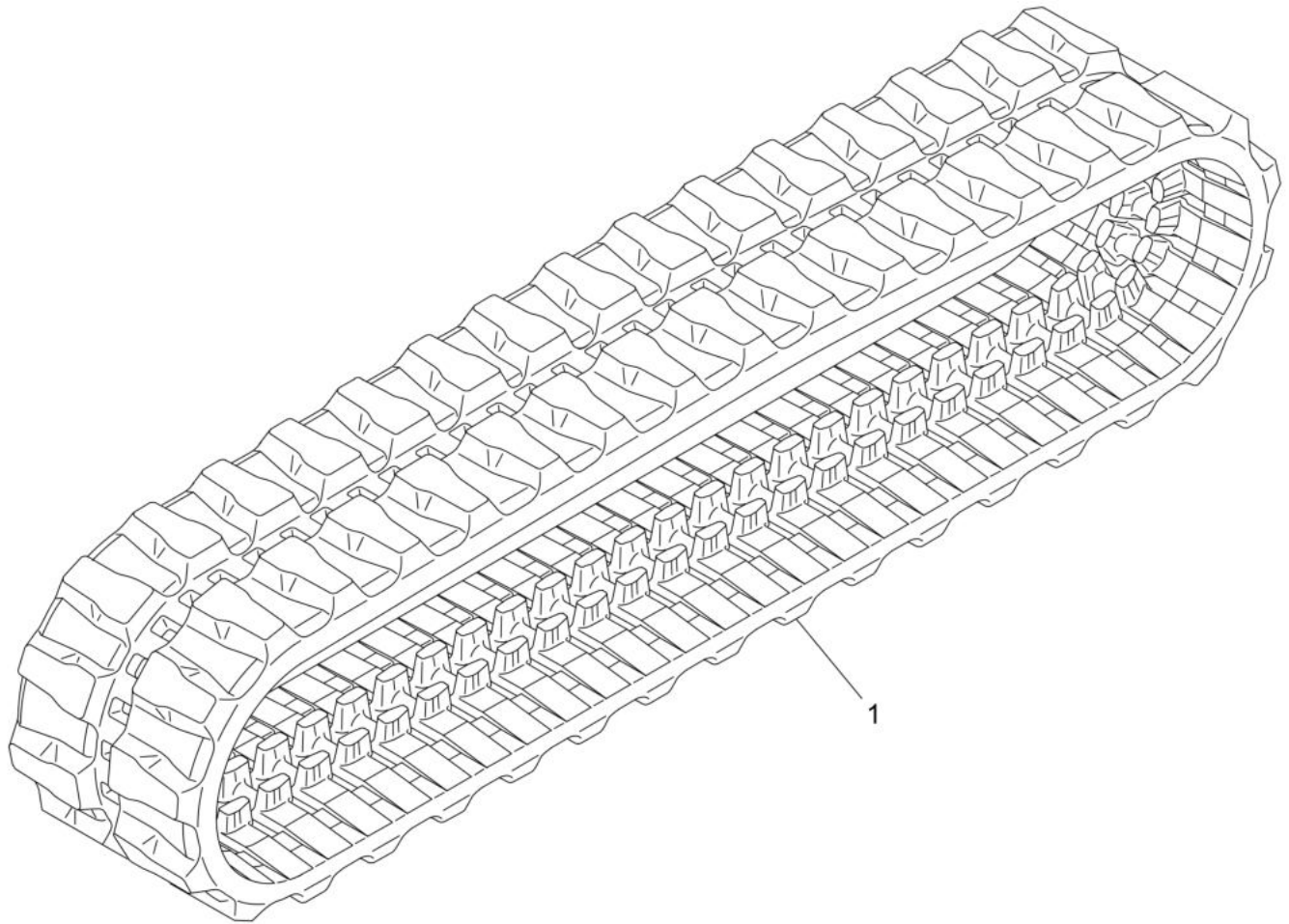


Q0A150

S=1/1

Item	Part No.	Name	Qty	Uom	Remarks	SERIAL NUMBER
Not Shown	PNNA	GUIDE ASSY, center		EA		
1	0551700012	GUIDE	2	EA		
2	1101051230	BOLT (10TM12 X 30 P/1.5)	8	EA		
3	1140020012	WASHER, spring (12MM)	8	EA		
4	1141110012	WASHER	8	EA		

UNDERCARRIAGE CRAWLER BELT (rubber)

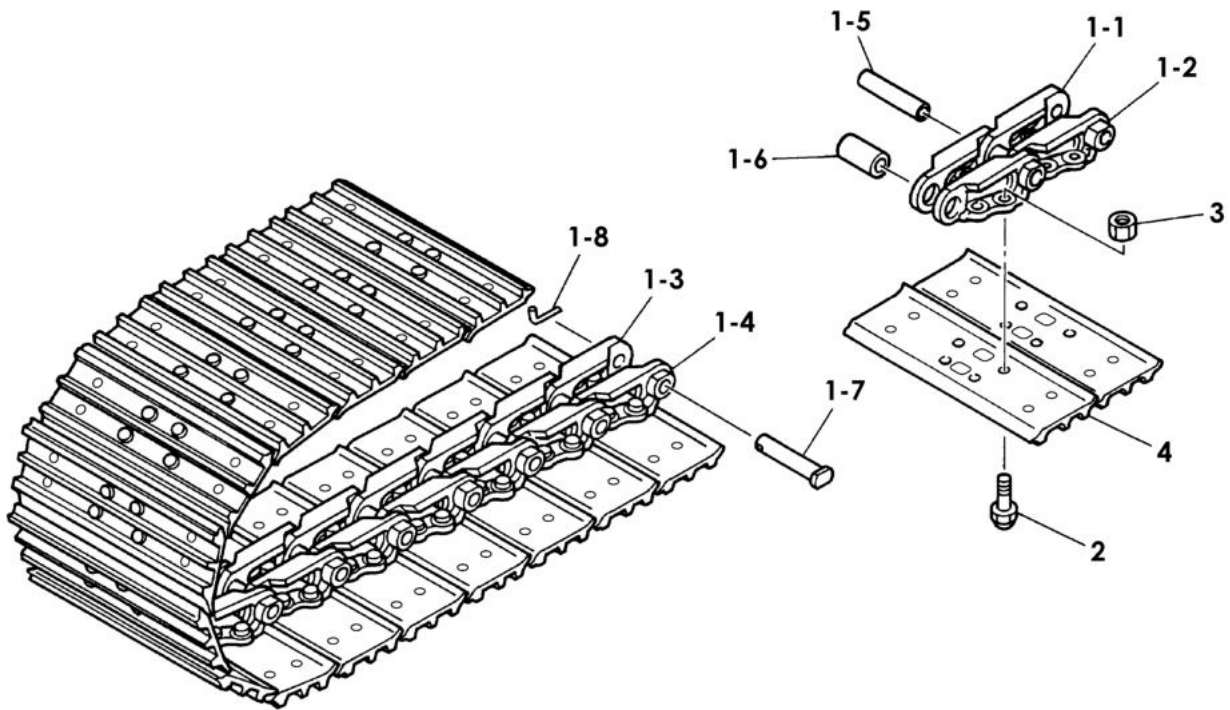


N3A050

S=free

Item	Part No.	Name	Qty	Uom	Remarks	SERIAL NUMBER
-	PNNA	BELT ASSY, rubber crawler		EA		
1	1914091210	TRACK, rubber (CHECK MODELS)	2	EA	FOR MODELS: TB260	126100003~126101649
1	1914091230	BELT, rubber crawler	2	EA		126101650~

UNDERCARRIAGE CRAWLER BELT (steel)

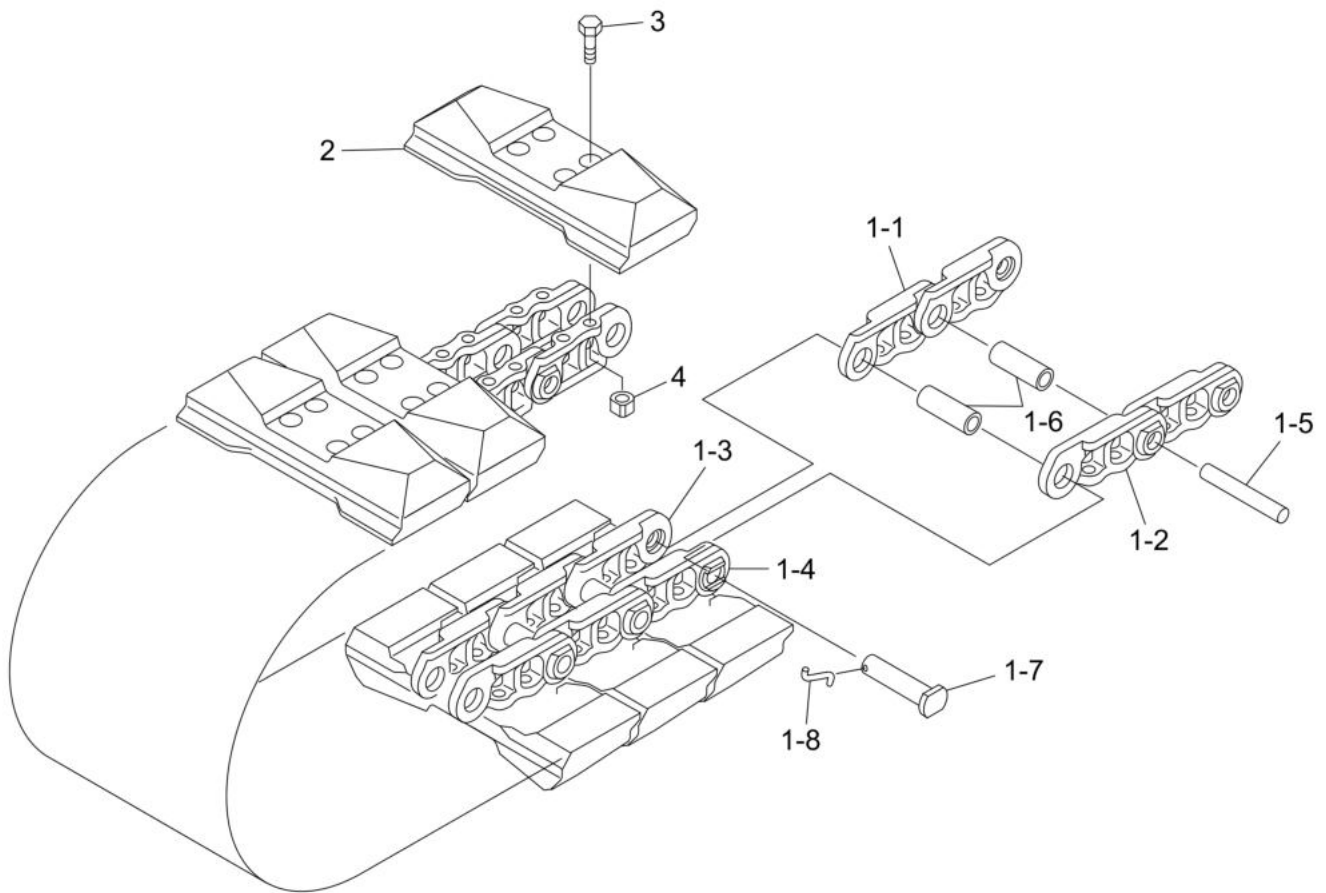


Q0A120

S=free

Item	Part No.	Name	Qty	Uom	Remarks	SERIAL NUMBER
-	0551100002	BELT ASSY, steel crawler		EA		
0-1	1914309000	TRACK, steel (400MM)	2	EA	FOR MODELS: TB260, **OFFSET BOLT PATTERN**	
1	1914309098	LINK ASSY	1	EA		
1-1	1914309001	LINK, track (R.H.)	39	EA		
1-2	1914309002	LINK, track (L.H.)	39	EA		
1-3	1914309003	LINK, master (R.H.)	1	EA		
1-4	1914309004	LINK, master (L.H.)	1	EA		
1-5	1914309005	PIN, track	39	EA		
1-6	1914309006	BUSH, track	40	EA		
1-7	1914309007	PIN, master	1	EA		
1-8	1914309008	PIN, clamping	1	EA		
2	1914309012	BOLT (CRAWLER BELT)	160	EA		
3	1914309013	NUT (STEEL CRAWLER BELT)	160	EA		
4	1914309014	PLATE, shoe	40	EA	400wide	

UNDERCARRIAGE CRAWLER BELT (segment rubber crawler)

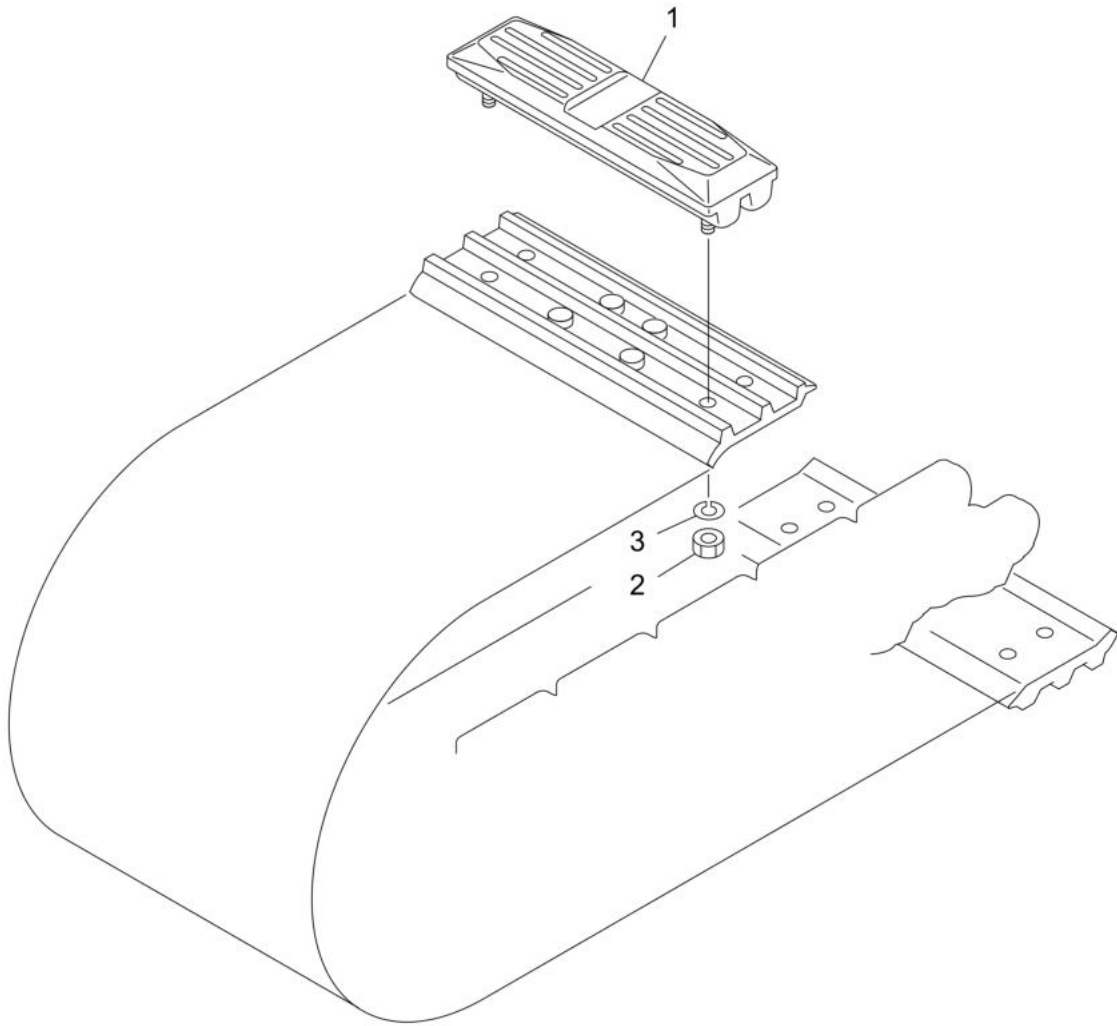


Q1A040

S=FREE

Item	Part No.	Name	Qty	Uom	Remarks	SERIAL NUMBER
-	PNNA	BELT ASSY, segment rubber crawler		EA		
0-1	*****	BELT, segment rubber crawler	2	EA		
1	1914309098	LINK ASSY	1	EA		
1-1	1914309001	LINK, track (R.H.)	39	EA		
1-2	1914309002	LINK, track (L.H.)	39	EA		
1-3	1914309003	LINK, master (R.H.)	1	EA		
1-4	1914309004	LINK, master (L.H.)	1	EA		
1-5	1914309005	PIN, track	39	EA		
1-6	1914309006	BUSH, track	40	EA		
1-7	1914309007	PIN, master	1	EA		
1-8	1914309008	PIN, clamping	1	EA		
2	1914401300	PAD, rubber (SEGMENTED/450MM)	40	EA	FOR MODELS: TB260	
3	1914306009	BOLT	160	EA		
4	1914306010	NUT	160	EA		

UNDERCARRIAGE RUBBER PADS

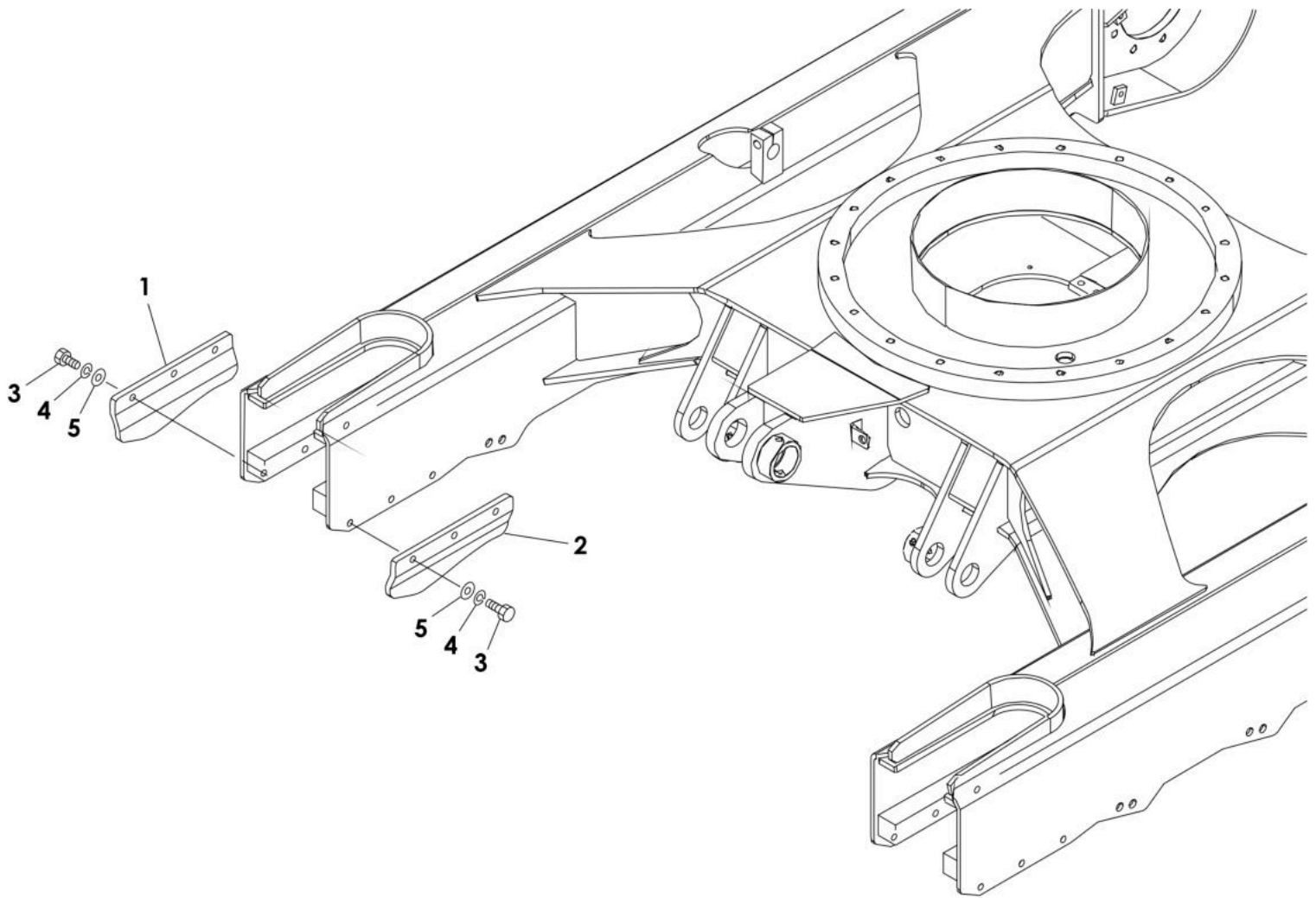


Q0A140

S=free

Item	Part No.	Name	Qty	Uom	Remarks	SERIAL NUMBER
-	PNNA	PAD ASSY, rubber		EA		
1	1914400500	PAD, rubber (BOLT-ON TRACK/400MM)	80	EA	FOR MODELS: TB145,TB53FR,TB153FR,TB250,TB260	
2	1130050012	NUT (8TM12 P/1.75)	4	EA		
3	1140020012	WASHER, spring (12MM)	4	EA		

UNDERCARRIAGE CRAWLER GUIDE (for steel crawler)

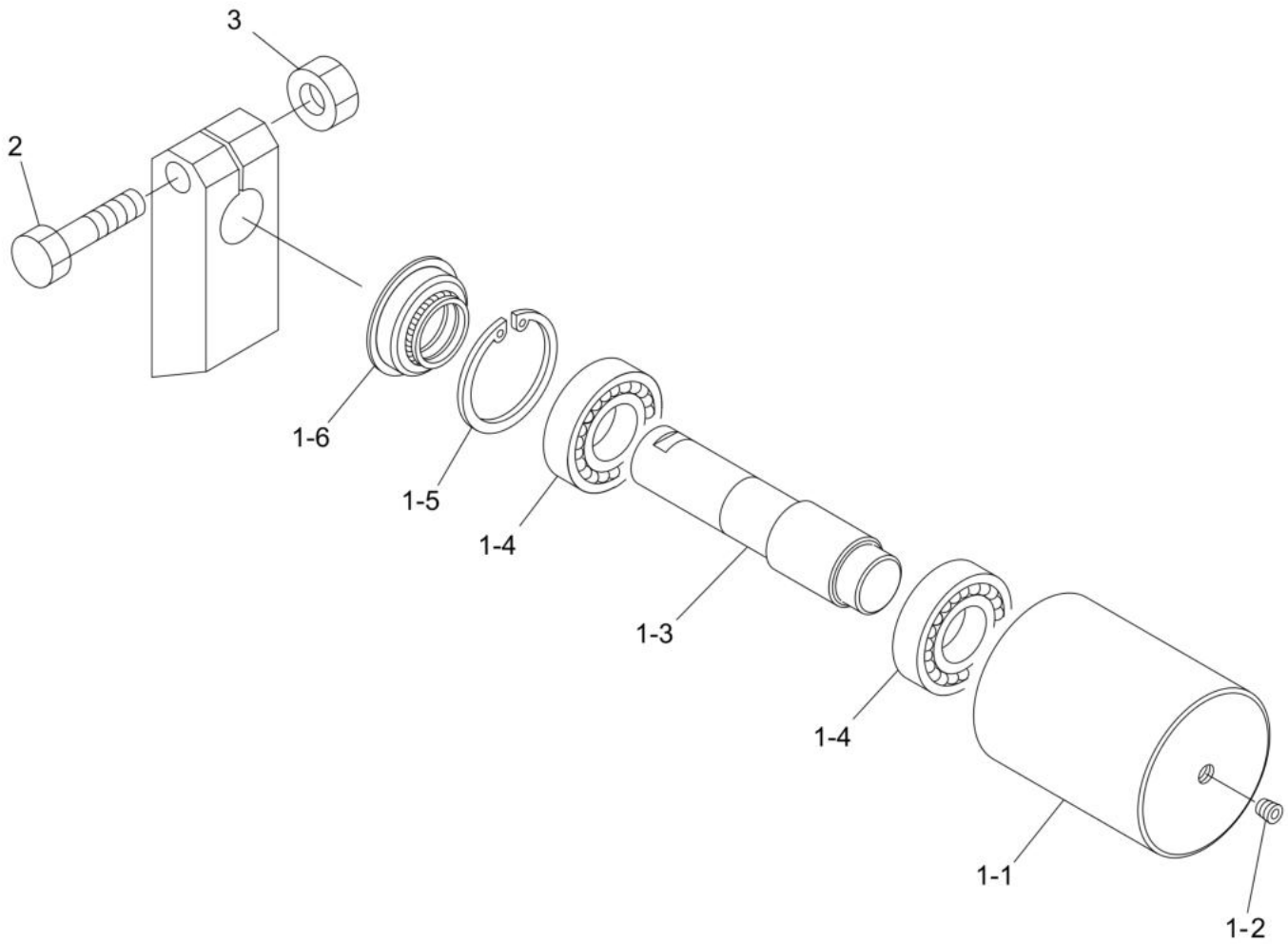


Q0A130

S=1/12

Item	Part No.	Name	Qty	Uom	Remarks	SERIAL NUMBER
Not Shown	PNNA	GUIDE ASSY, crawler		EA		
1	0551700009	PLATE (R.H.)	2	EA		
2	0551700010	PLATE (L.H.)	2	EA		
3	1101051230	BOLT (10TM12 X 30 P/1.5)	12	EA		
4	1140020012	WASHER, spring (12MM)	12	EA		
5	1141110012	WASHER	12	EA		

UNDERCARRIAGE CARRIER ROLLER

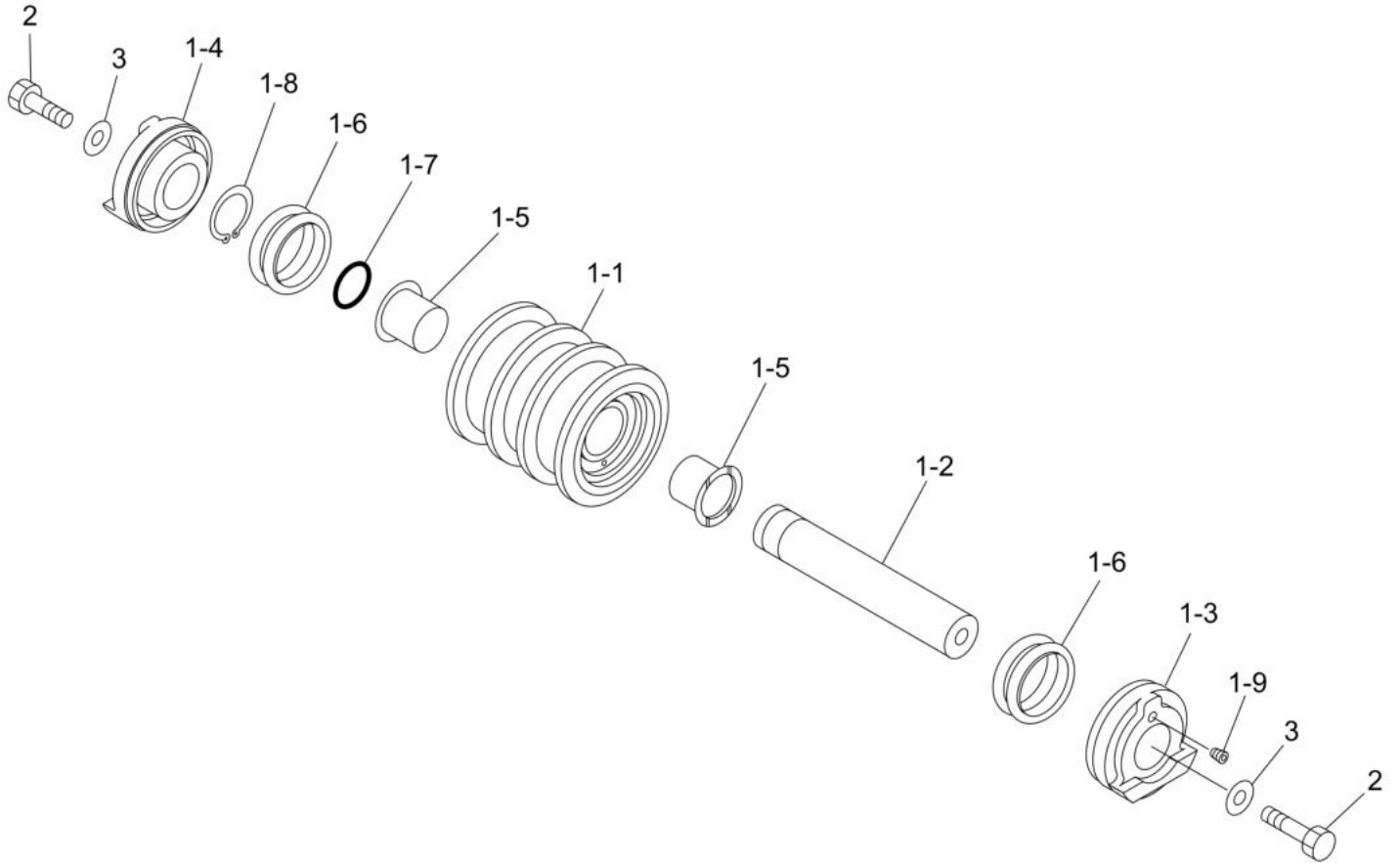


Q0A030

S=1/FREE

Item	Part No.	Name	Qty	Uom	Remarks	SERIAL NUMBER
-	PNNA	ROLLER ASSY, carrier		EA		
1	0551200700	ROLLER ASSY, carrier	2	EA		
1-1	0551200701	ROLLER	1	EA		
1-2	0551200702	PLUG	1	EA		
1-3	0551200703	SHAFT	1	EA		
1-4	0551200704	BEARING	2	EA		
1-5	0551200705	RING, snap	1	EA		
1-6	1431203062	SEAL, oil	1	EA		
2	1101041670	BOLT (10TM16 X 70 P/1.5)	2	EA		
3	1130550016	NUT (8TM16 P/1.5)	2	EA		

UNDERCARRIAGE TRACK ROLLER

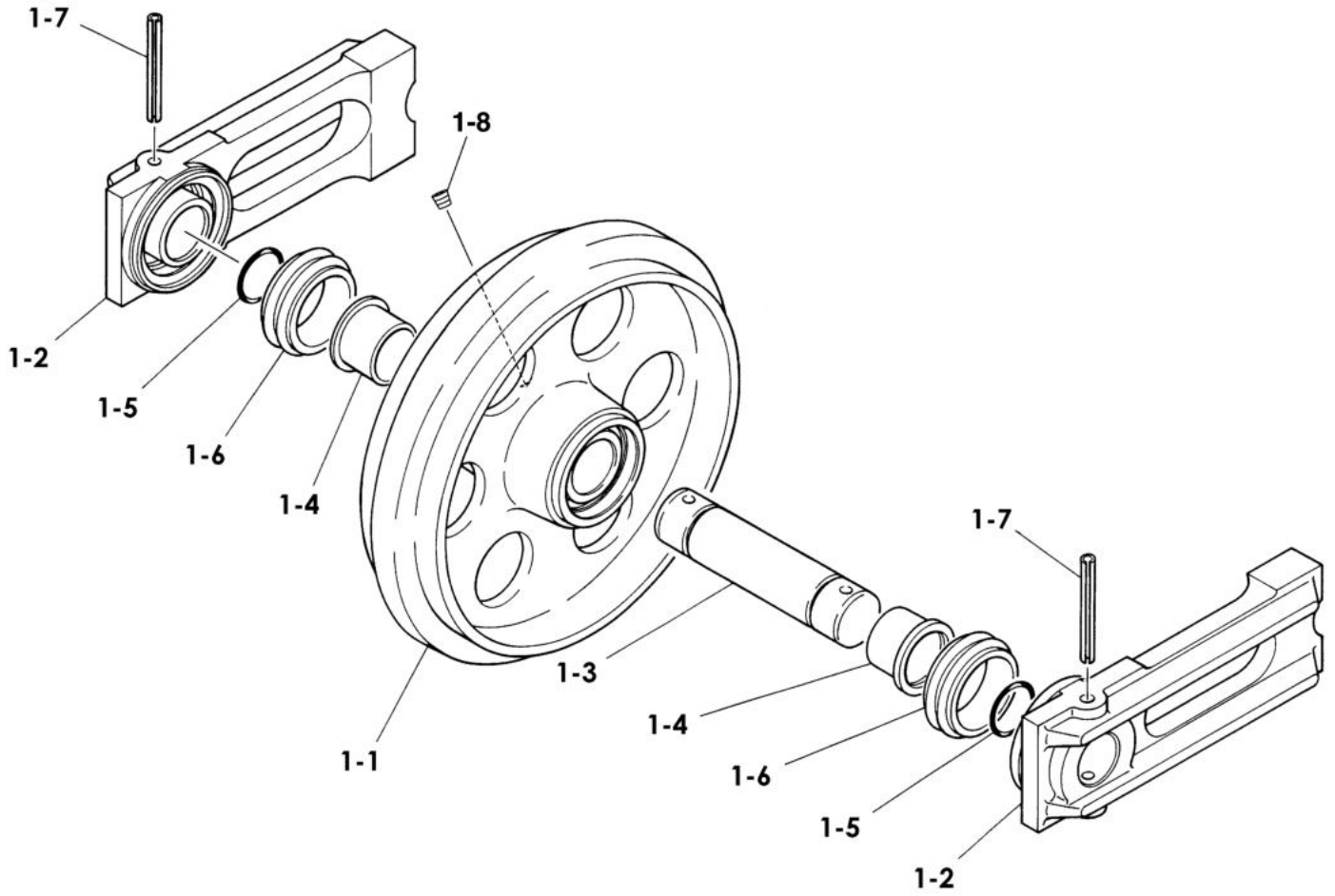


Q0A040

S=FREE

Item	Part No.	Name	Qty	Uom	Remarks	SERIAL NUMBER
-	PNNA	ROLLER ASSY, track (rubber)		EA		
-	PNNA	ROLLER ASSY, track (steel)		EA		
1	0551300900	ROLLER ASSY, track	10	EA		
1-1	0551300901	ROLLER	1	EA		
1-2	0551300902	SHAFT	1	EA		
1-3	0551300903	COVER (L.H.)	1	EA		
1-4	0551300904	COVER (R.H.)	1	EA		
1-5	0551300905	BUSHING	2	EA		
1-6	0551300906	SEAL, floating	2	EA		
1-7	1420100350	O-RING	2	EA		
1-8	0551300908	RING, snap	1	EA		
1-9	0551300909	PLUG	1	EA		
2	1101041650	BOLT	20	EA		
3	1141550016	WASHER (HEAT M16)	20	EA		

UNDERCARRIAGE FRONT IDLER

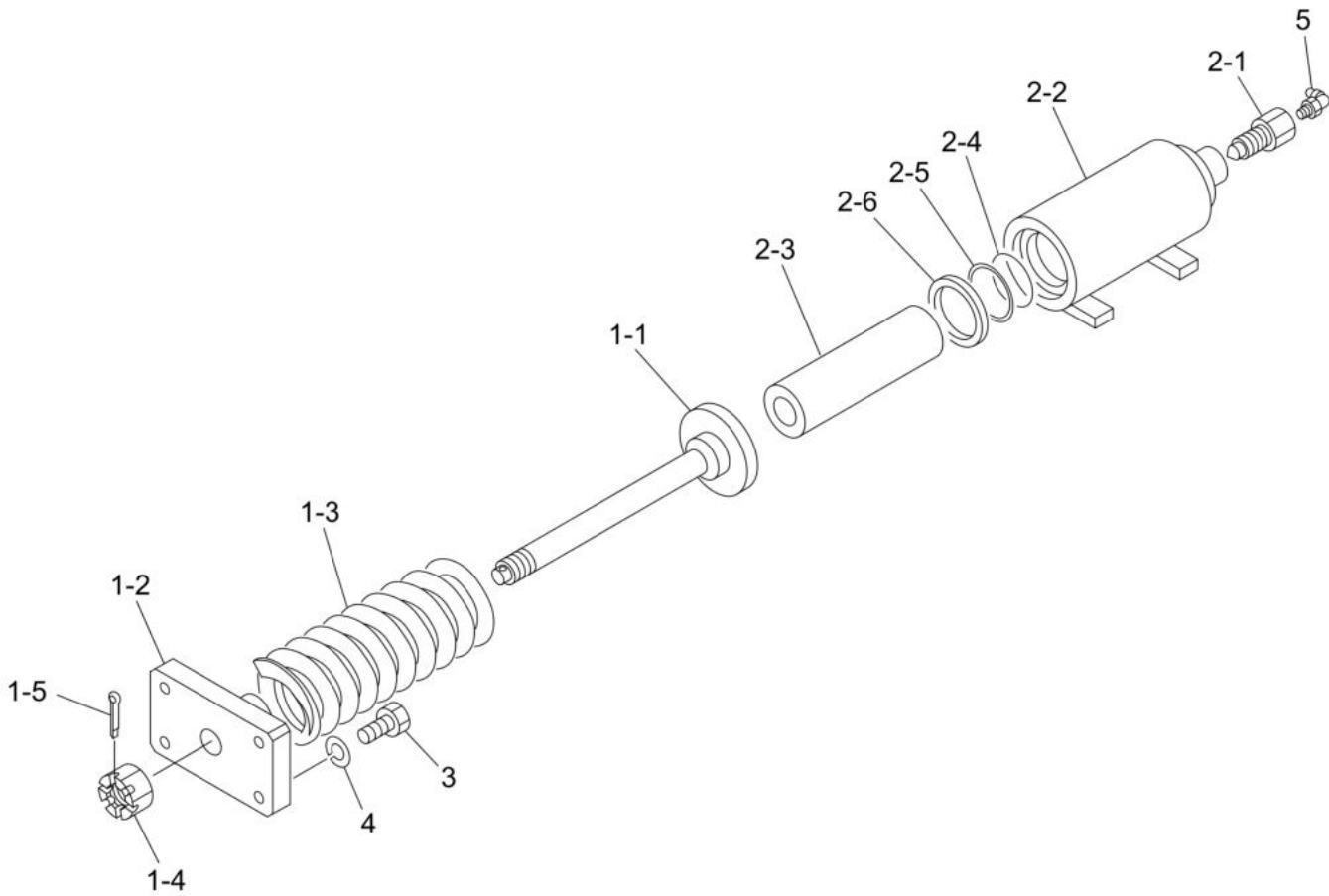


Q0A050

S=FREE

Item	Part No.	Name	Qty	Uom	Remarks	SERIAL NUMBER
-	PNNA	IDLER ASSY, front (rubber)		EA		
-	PNNA	IDLER ASSY, front (steel)		EA		
1	0551401100	IDLER, front	2	EA		
1-1	0551401101	IDLER	1	EA		
1-2	0551401102	BLOCK	2	EA		
1-3	0551401103	SHAFT	1	EA		
1-4	0551401104	BUSHING	2	EA		
1-5	1420100400	O-RING	2	EA		
1-6	0551401106	SEAL, floating	2	EA		
1-7	0551401107	PIN, spring	2	EA		
1-8	0551200702	PLUG	1	EA		

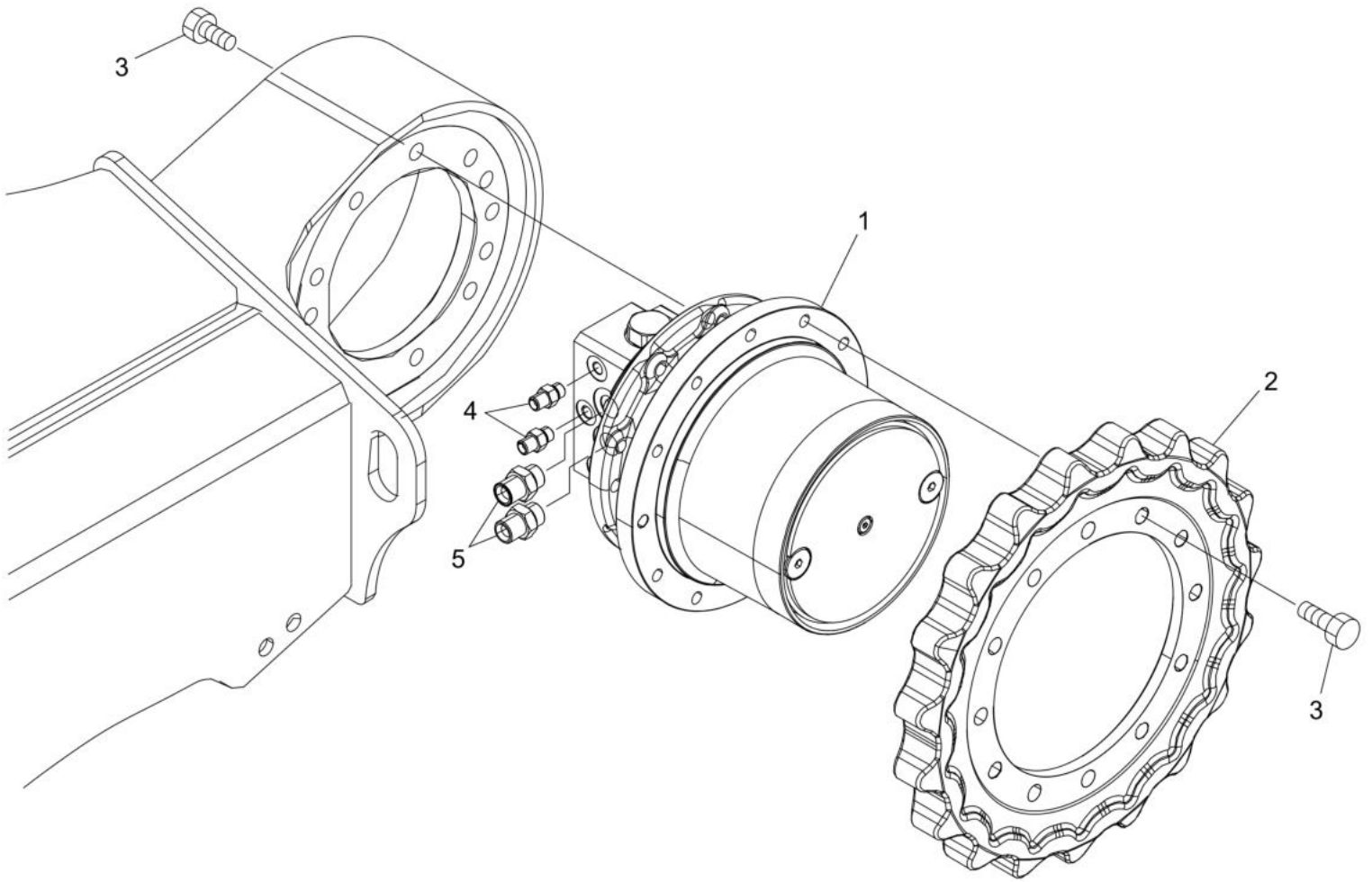
UNDERCARRIAGE TRACK ADJUSTER



Q0A060

S=FREE

Item	Part No.	Name	Qty	Uom	Remarks	SERIAL NUMBER
-	PNNA	SPRING ASSY		EA		
1	0551501500	SPRING ASSY	2	EA		
1-1	0551501501	ROD	1	EA		
1-2	0551501502	PLATE	1	EA		
1-3	0551501503	SPRING	1	EA		
1-4	0551501504	NUT	1	EA		
1-5	0551501505	PIN, split	1	EA		
2	0551501600	CYLINDER ASSY (TRACK ADJUSTER)	2	EA		
2-1	0551501601	VALVE, check	1	EA		
2-2	0551501602	CYLINDER, grease	1	EA		
2-3	0551501603	PISTON	1	EA		
2-4	1422010600	O-RING	1	EA		
2-5	1421020600	RING, back-up	1	EA		
2-6	1411510600	SEAL	1	EA		
3	1101041245	BOLT	8	EA		
4	1140020012	WASHER, spring (12MM)	8	EA		
5	1560001900	FITTING, grease (90 DEGREE)	2	EA		

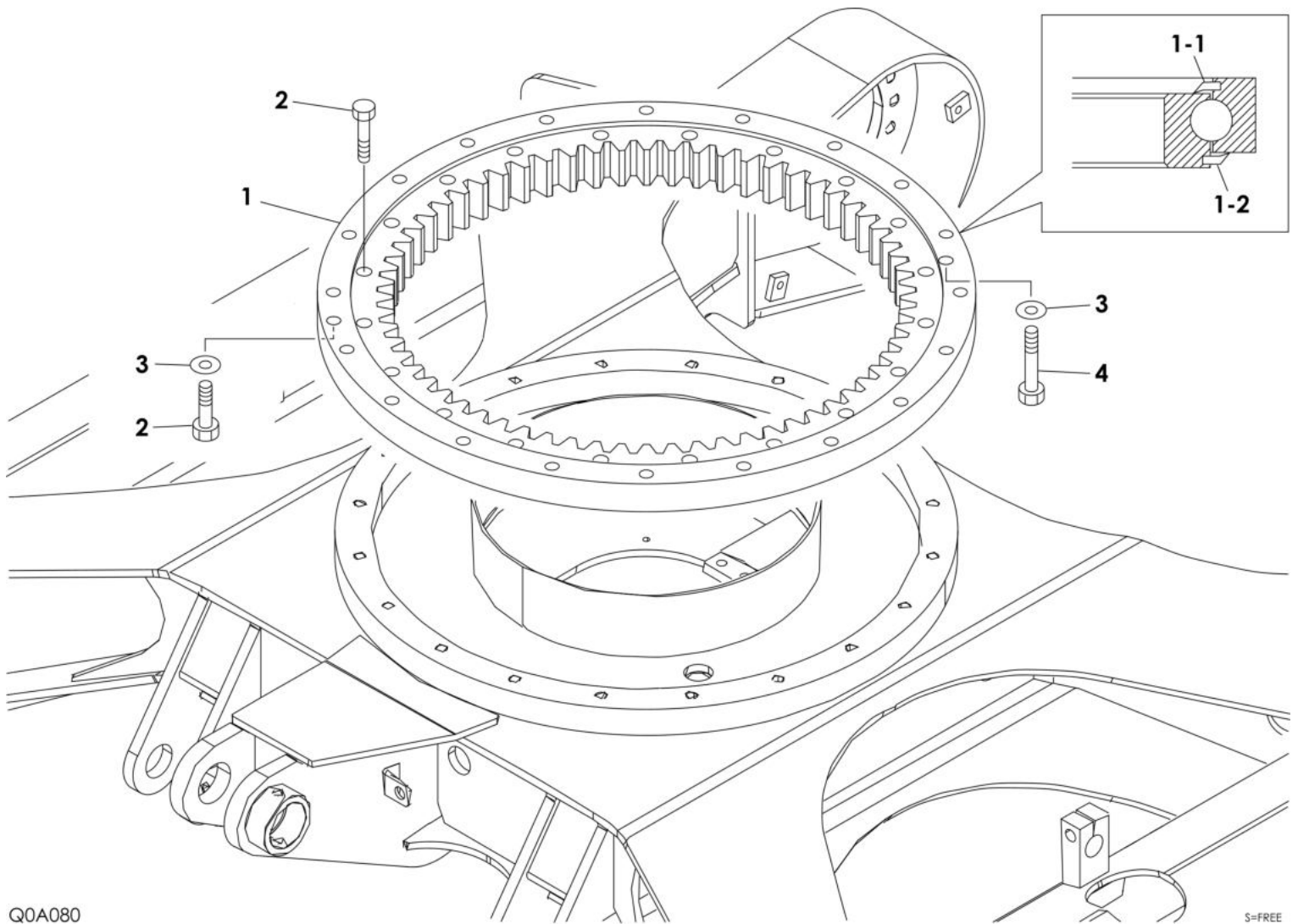


Q0A070

S=1/6

Item	Part No.	Name	Qty	Uom	Remarks	SERIAL NUMBER
-	PNNA	MOTOR ASSY, travel		EA		
1	1903133300	MOTOR, travel	2	EA		126101287~126101691
1	1903132400	MOTOR, travel	2	EA		126101692~
2	0551600120	SPROCKET	2	EA		
3	1100051435	BOLT (10TM14 X 35 P/2.0)	48	EA		
4	1515600200	ADAPTOR	4	EA		
4	1420010110	O-RING	1	EA		
5	1515600202	ADAPTOR	4	EA		
5	1420010180	O-RING	1	EA		

UNDERCARRIAGE SLEW BEARING

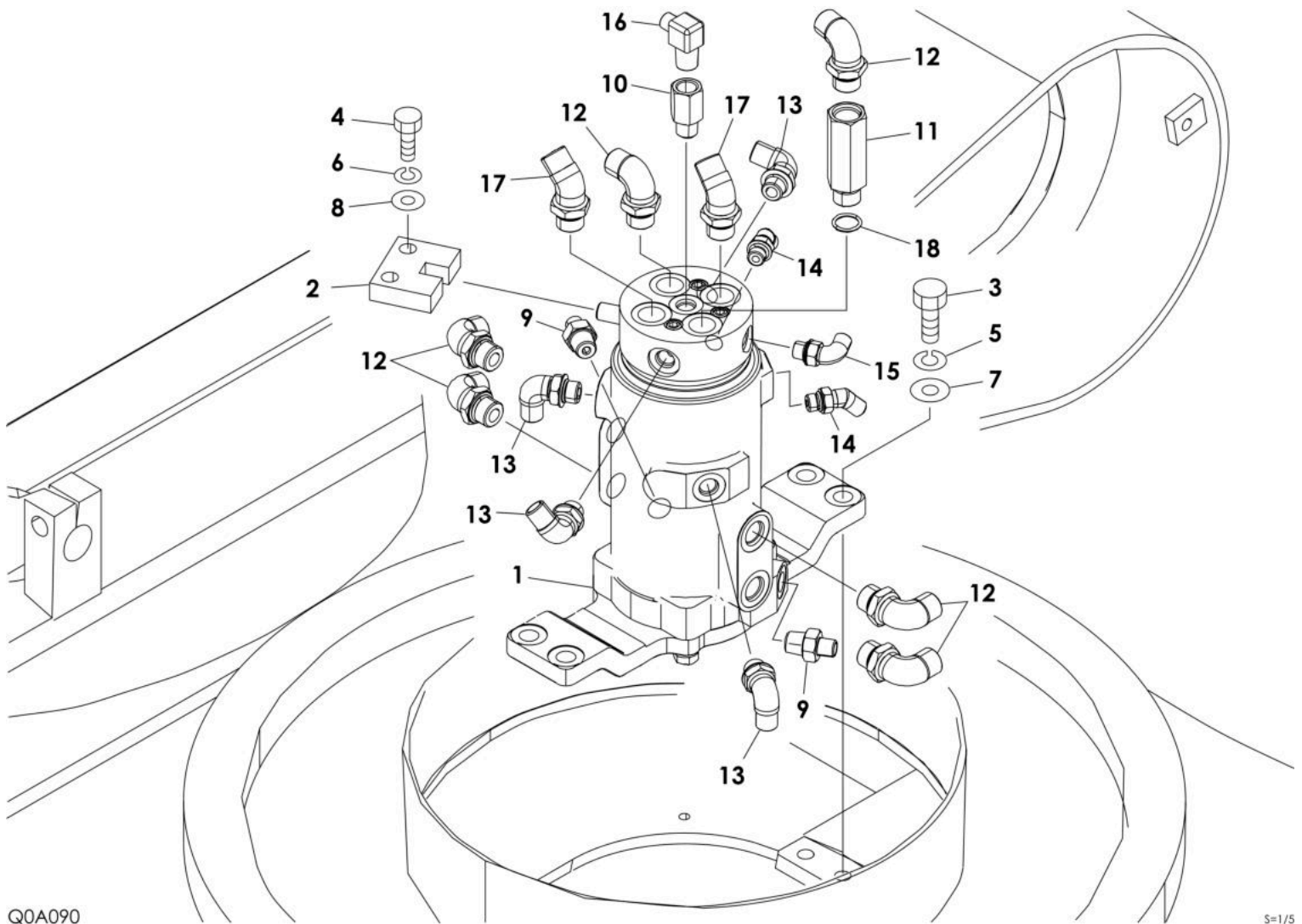


Q0A080

S=FREE

Item	Part No.	Name	Qty	Uom	Remarks	SERIAL NUMBER
-	PNNA	BEARING ASSY, slew		EA		
1	1913005650	BEARING	1	EA		
1-1	1913005658	SEAL	1	EA		
1-2	1913005659	SEAL	1	EA		
2	1101051680	BOLT	39	EA		
3	1141550016	WASHER (HEAT M16)	20	EA		
4	0392000100	BOLT	1	EA		

UNDERCARRIAGE SWIVEL JOINT & ACCESSORIES

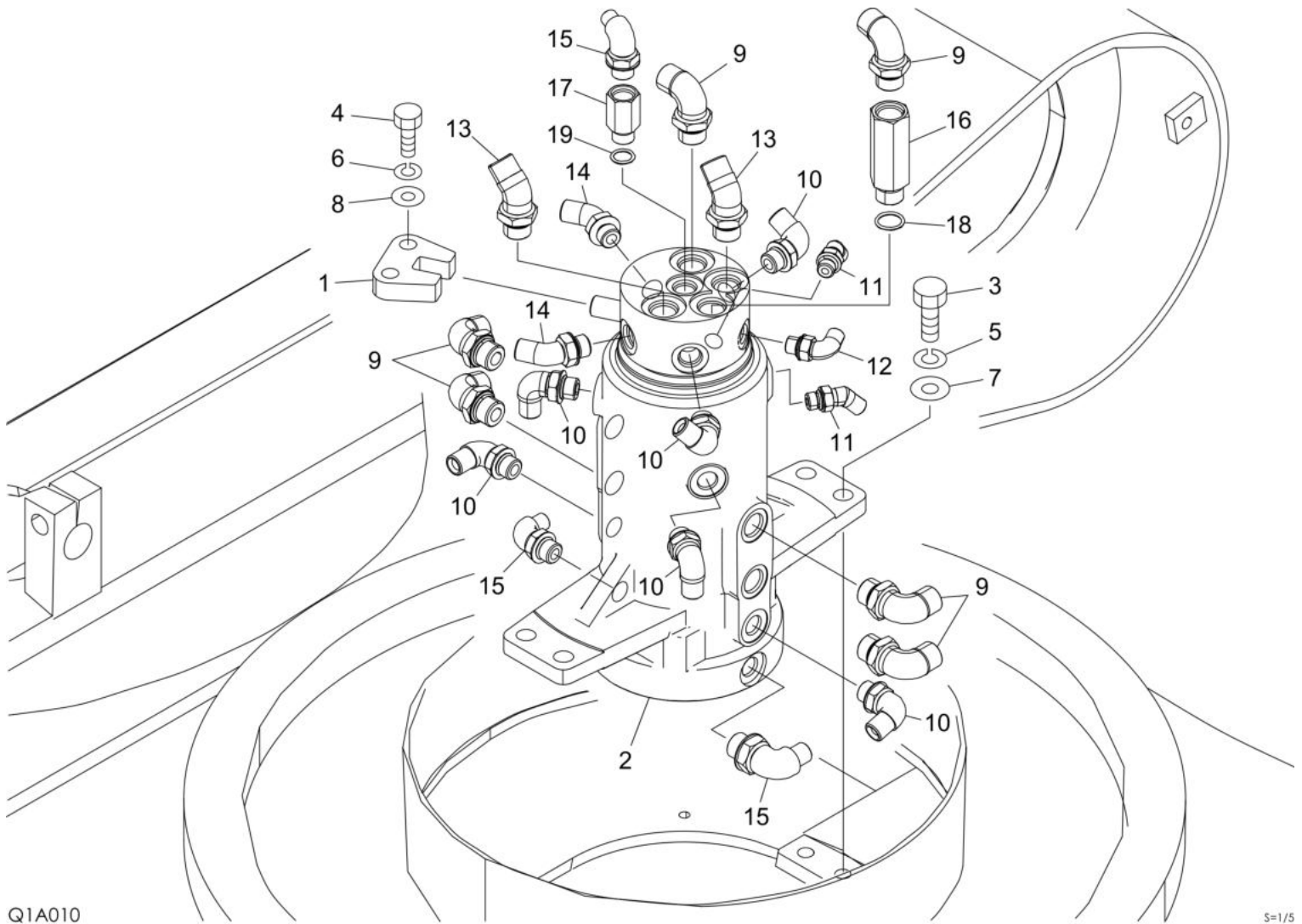


Q0A090

S=1/5

Item	Part No.	Name	Qty	Uom	Remarks	SERIAL NUMBER
Not Shown	PNNA	JOINT ASSY, swivel		EA		
1	1904006300	JOINT, swivel	1	EA		
2	0442100100	STOPPER	1	EA		
3	1101041440	BOLT	4	EA		
4	1101051240	BOLT (10TM12 X 40 P/1.5)	2	EA		
5	1140020014	WASHER, spring	4	EA		
6	1140020012	WASHER, spring (12MM)	2	EA		
7	1141110014	WASHER, plain (M14)	4	EA		
8	1141110012	WASHER	2	EA		
9	0007203057	NIPPLE	2	EA		
10	0007210028	BUSHING	1	EA		
11	0007213038	BUSHING	1	EA		
12	1515012042	ELBOW	6	EA		
12	1420010180	O-RING	1	EA		
13	1515010041	ELBOW	4	EA		
13	1420010140	O-RING	1	EA		
14	1515100110	ELBOW	2	EA		
14	1420010110	O-RING	1	EA		
15	1515012040	ELBOW	1	EA		
15	1420010110	O-RING	1	EA		
16	1511150203	ADAPTOR	1	EA		
17	1515102112	ELBOW	2	EA		
18	1420010180	O-RING	1	EA		

UNDERCARRIAGE SWIVEL JOINT & ACCESSORIES (angle blade type)

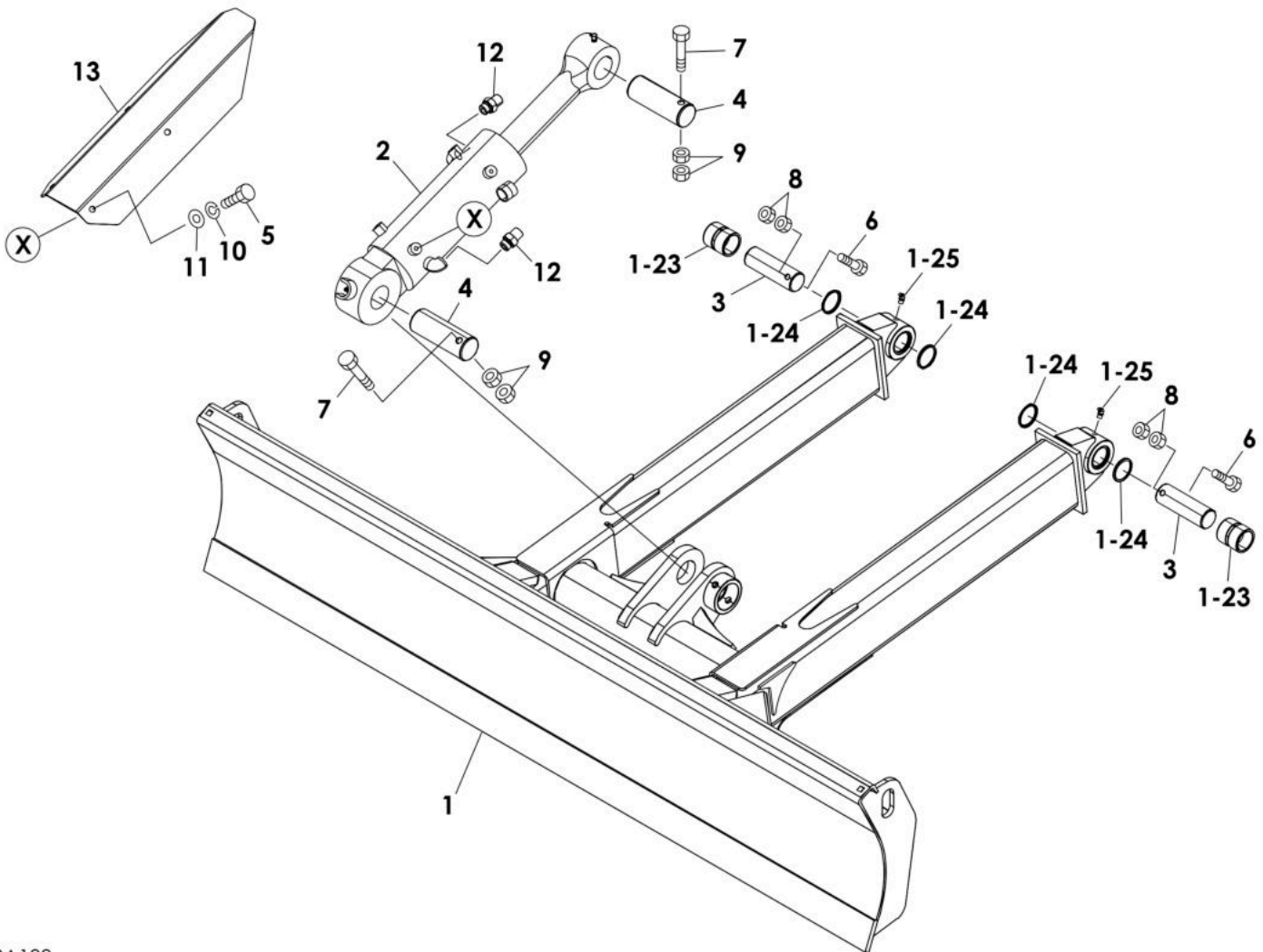


Q1A010

S=1/5

Item	Part No.	Name	Qty	Uom	Remarks	SERIAL NUMBER
-	PNNA	JOINT ASSY, swivel		EA		
1	0552100110	PLATE	1	EA		
2	1904009500	JOINT, swivel	1	EA		
3	1101041440	BOLT	4	EA		
4	1101051240	BOLT (10TM12 X 40 P/1.5)	2	EA		
5	1140020014	WASHER, spring	4	EA		
6	1140020012	WASHER, spring (12MM)	2	EA		
7	1141110014	WASHER, plain (M14)	4	EA		
8	1141110012	WASHER	2	EA		
9	1515012042	ELBOW	6	EA		
9	1420010180	O-RING	1	EA		
10	1515010041	ELBOW	6	EA		
10	1420010140	O-RING	1	EA		
11	1515100110	ELBOW	2	EA		
11	1420010110	O-RING	1	EA		
12	1515012040	ELBOW	1	EA		
12	1420010110	O-RING	1	EA		
13	1515102112	ELBOW	2	EA		
14	1515102111	ELBOW	2	EA		
14	1420010140	O-RING	1	EA		
15	1515010050	ELBOW	3	EA		
15	1420010140	O-RING	1	EA		
16	0007213038	BUSHING	1	EA		
17	0007213016	BUSHING	1	EA		
18	1420010180	O-RING	1	EA		
19	1420010140	O-RING	1	EA		

UNDERCARRIAGE DOZER BLADE

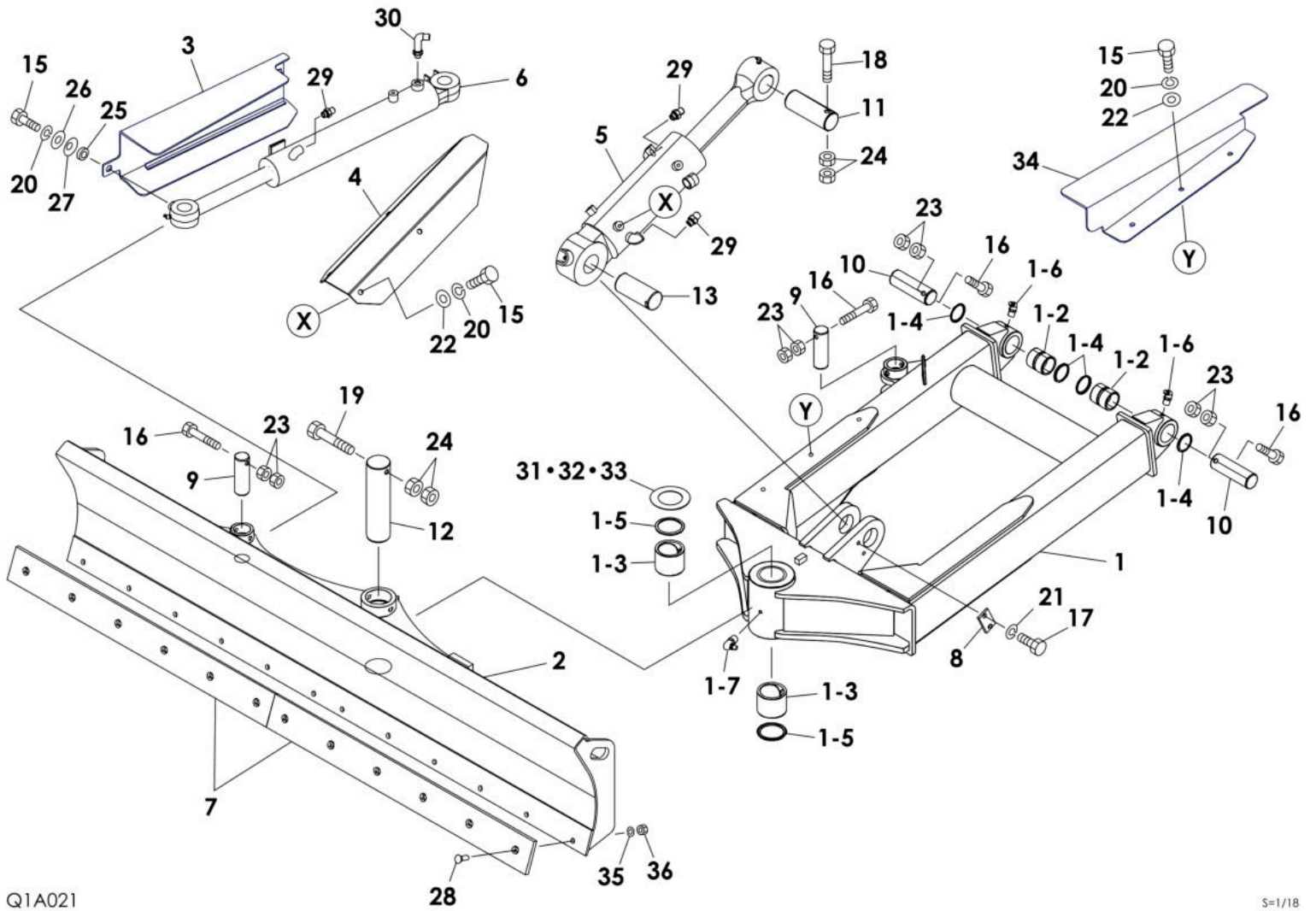


Q0A100

S=1/15

Item	Part No.	Name	Qty	Uom	Remarks	SERIAL NUMBER
Not Shown	PNNA	BLADE ASSY, dozer		EA		
1	0556300100	BLADE	1	EA		
1-23	0002200014	BUSHING (45x55x60)	2	EA		
1-24	1432200045	SEAL, dust	4	EA		
1-25	1560001675	FITTING, grease (67.5 DEGREE)	2	EA		
2	1900113200	CYLINDER, dozer blade	1	EA		
3	0001614009	PIN	2	EA		
4	0001616001	PIN	2	EA		
5	1100051020	BOLT (10TM10 X 20 P/1.5)	4	EA		
6	1100051090	BOLT (10 X 90)	2	EA		
7	1103141205	BOLT	2	EA		
8	1130240010	NUT	4	EA		
9	1130050012	NUT (8TM12 P/1.75)	4	EA		
10	1140020010	WASHER, spring	4	EA		
11	1141110010	WASHER, plain	4	EA		
12	1515600201	ADAPTOR	2	EA		
12	1420010140	O-RING	1	EA		
13	0556300050	COVER	1	EA		

UNDERCARRIAGE DOZER BLADE (angle blade type)



Q1A021

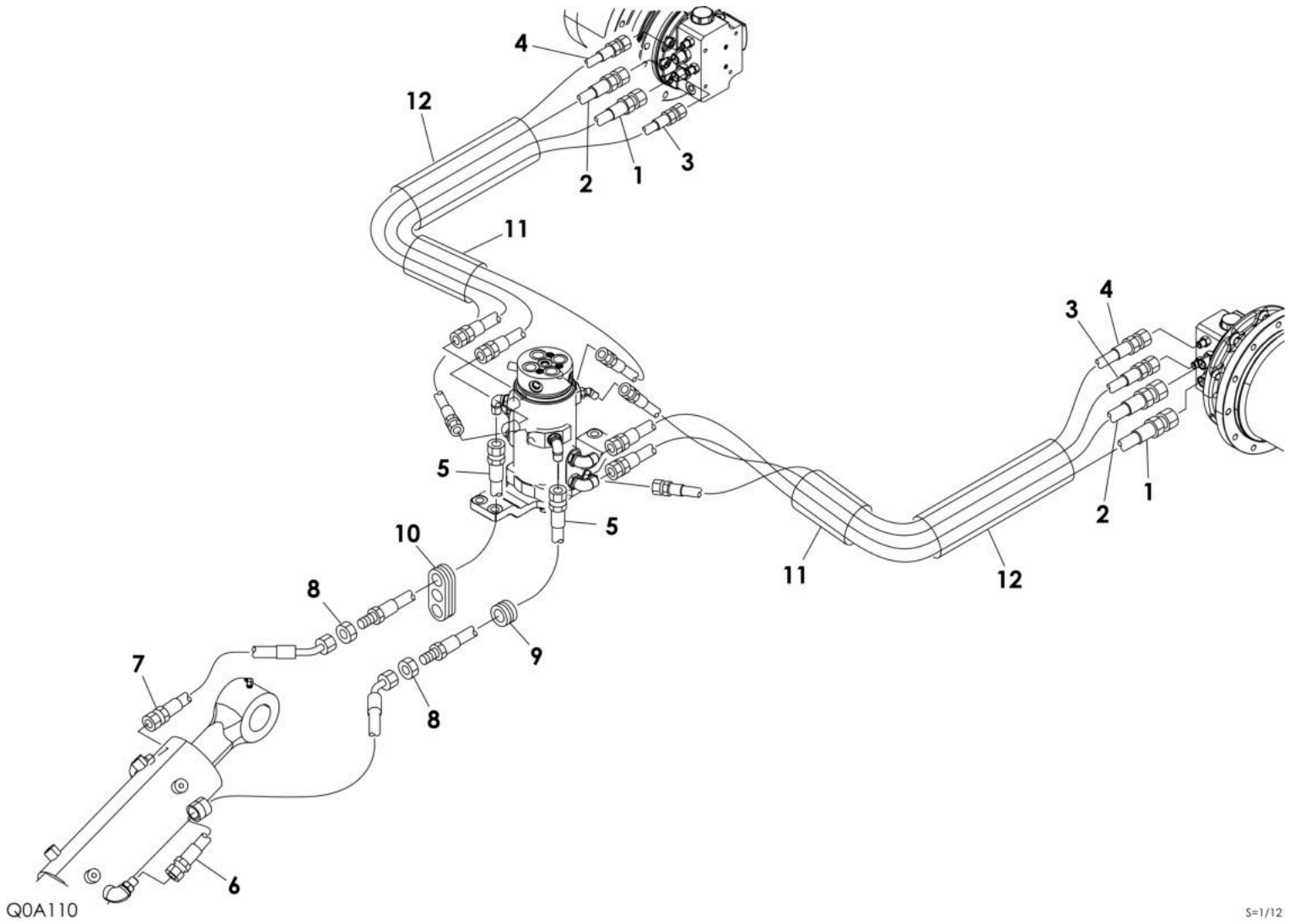
S=1/18

Item	Part No.	Name	Qty	Uom	Remarks	SERIAL NUMBER
Not Shown	PNNA	BLADE ASSY, dozer		EA		
1	0556300048	ARM, dozer blade	1	EA		
1-2	0002200014	BUSHING (45x55x60)	2	EA		
1-3	0002400038	BUSHING (65X80X65)	2	EA		
1-4	1432200045	SEAL, dust	4	EA		
1-5	1432200065	SEAL, dust	2	EA		
1-6	1560001675	FITTING, grease (67.5 DEGREE)	2	EA		
1-7	1560001900	FITTING, grease (90 DEGREE)	1	EA		
2	0556300049	BLADE	1	EA		
3	0556300061	COVER	1	EA		
4	0556300050	COVER	1	EA		
5	1900113200	CYLINDER, dozer blade	1	EA		
6	1900113300	CYLINDER ASSY	1	EA		
7	0556300005	EDGE	2	EA		
8	0433105700	PLATE	1	EA		
9	0001613012	PIN	2	EA		
10	0001614009	PIN	2	EA		
11	0001616001	PIN	1	EA		
12	0001618004	PIN	1	EA		
13	0001900168	PIN	1	EA		
15	1100051020	BOLT (10TM10 X 20 P/1.5)	8	EA		
16	1100051090	BOLT (10 X 90)	4	EA		
17	1101051225	BOLT	2	EA		
18	1103141205	BOLT	1	EA		
19	1100141220	BOLT	1	EA		
20	1140020010	WASHER, spring	8	EA		
21	1140020012	WASHER, spring (12MM)	2	EA		
22	1141110010	WASHER, plain	7	EA		
23	1130240010	NUT	8	EA		
24	1130050012	NUT (8TM12 P/1.75)	4	EA		
25	0003600308	COLLAR	1	EA		
26	0003610002	WASHER	1	EA		
27	1225120018	WASHER, conical	1	EA		
28	1112340832	BOLT	12	EA		
29	1515600201	ADAPTOR	3	EA		
29	1420010140	O-RING	1	EA		
30	1515012511	ELBOW	1	EA		
30	1420010140	O-RING	1	EA		

This page intentionally left blank

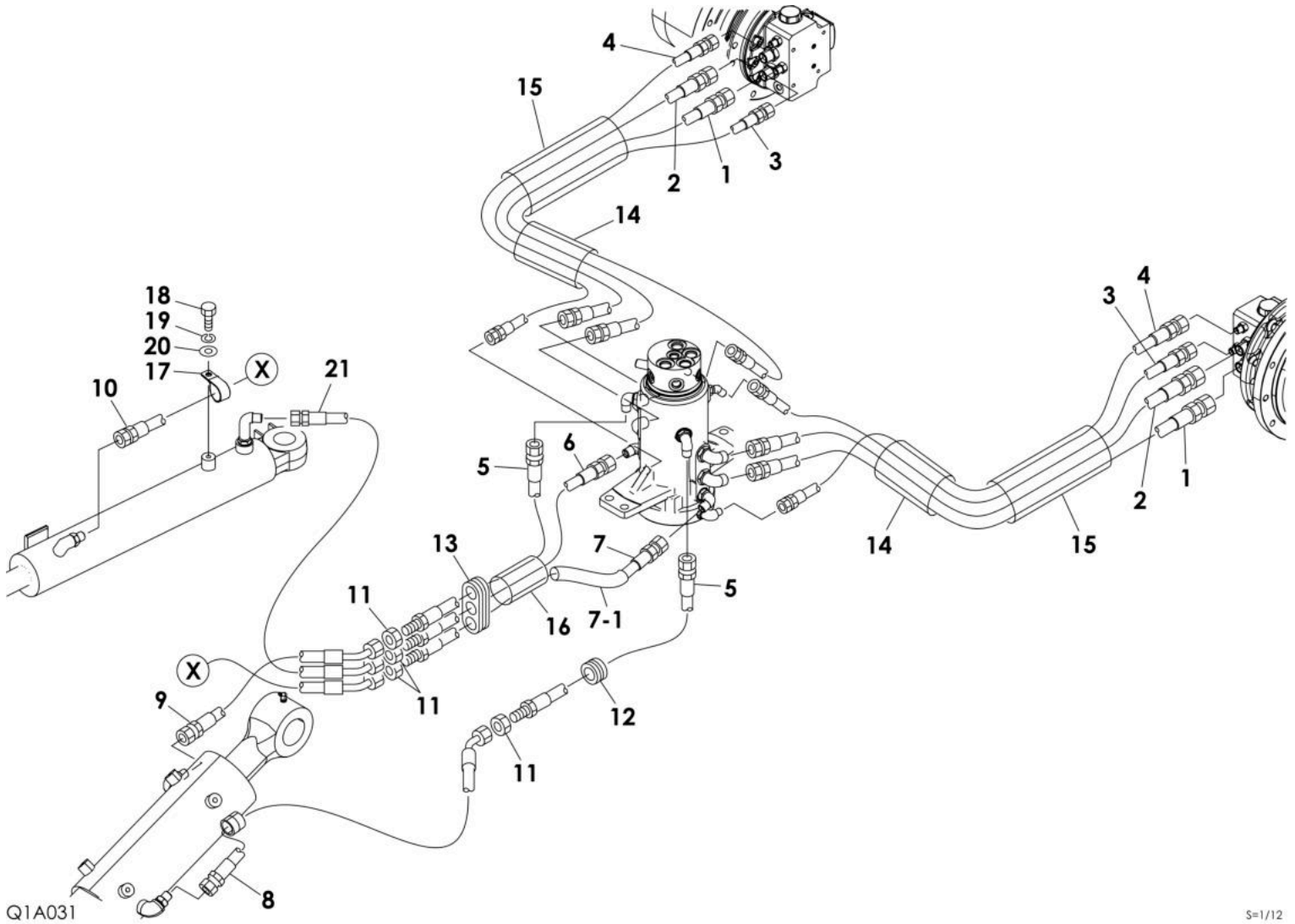
Item	Part No.	Name	Qty	Uom	Remarks	SERIAL NUMBER
31	0003600214	SHIM	1	EA	t=0.2mm	
32	0003600215	SHIM	1	EA	t=0.5mm	
33	0003600251	SHIM	1	EA	t=1.0mm	
34	0556300063	COVER	1	EA		
35	1140210008	WASHER, spring	12	EA		
36	1132940819	NUT	12	EA		

UNDERCARRIAGE PIPING; LOWER



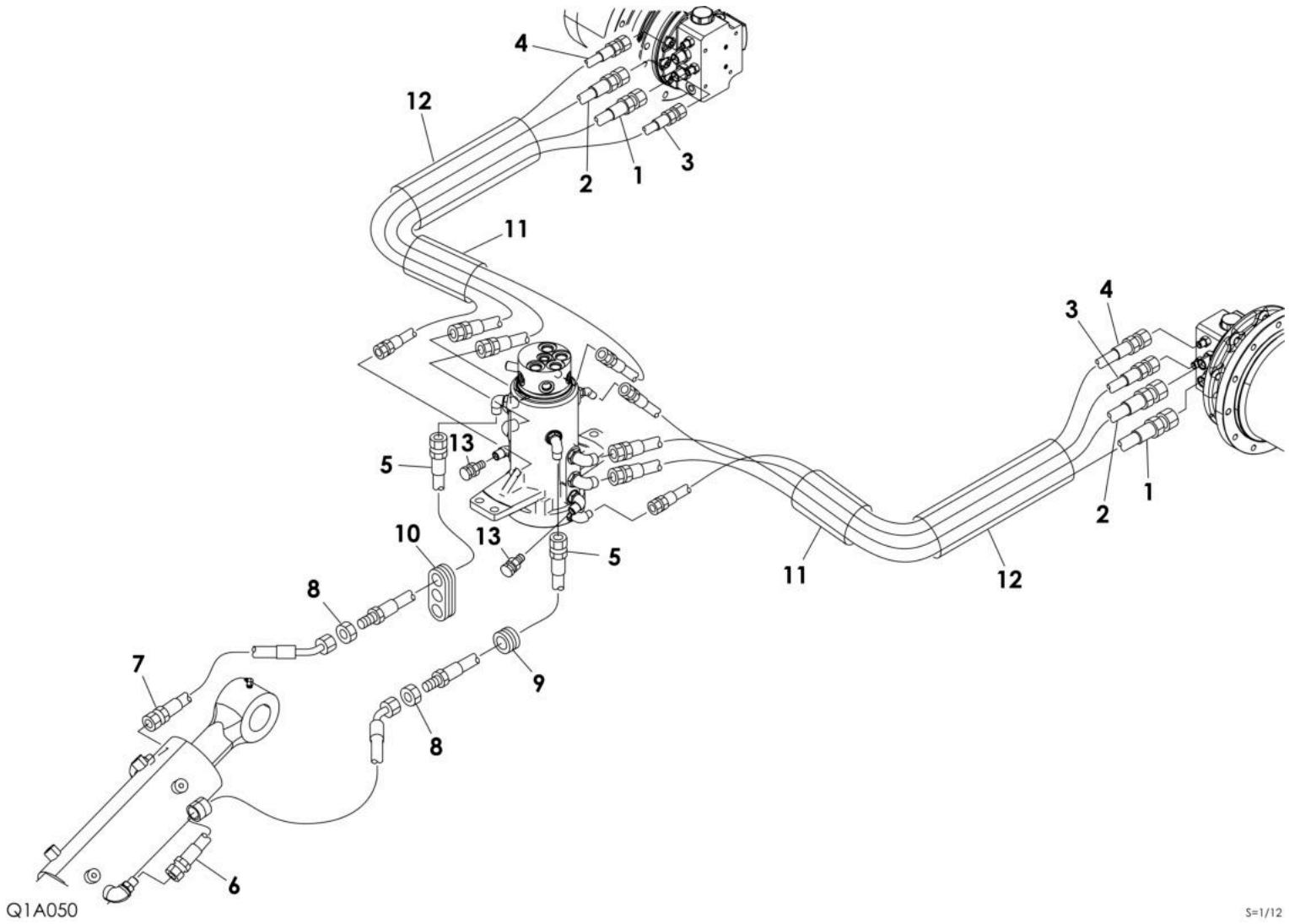
Item	Part No.	Name	Qty	Uom	Remarks	SERIAL NUMBER
Not Shown	PNNA	PIPING ASSY, lower		EA		
1	1804540128	HOSE ASSY	2	EA		
2	0557200007	HOSE	2	EA	18045-40128	
3	0557200008	HOSE ASSY	2	EA	18010-22130	
4	1801022124	HOSE ASSY	2	EA		
5	0557200009	HOSE	2	EA		
6	1801627084	HOSE ASSY	1	EA		
7	1801627058	HOSE ASSY	1	EA		
8	0007200154	NUT	2	EA		
9	0437200100	GUARD	1	EA		
10	0097022400	GUARD	1	EA		
11	1531350000	HOSE (SOLD BY THE METER)	2	EA	sold by the meter	
12	1531350000	HOSE (SOLD BY THE METER)	2	EA	sold by the meter	

UNDERCARRIAGE PIPING; LOWER (angle blade type)



Item	Part No.	Name	Qty	Uom	Remarks	SERIAL NUMBER
Not Shown	PNNA	PIPING ASSY, lower		EA		
1	1804540128	HOSE ASSY	2	EA		
2	0557200007	HOSE	2	EA	18045-40128	
3	0557200008	HOSE ASSY	2	EA	18010-22130	
4	1801022124	HOSE ASSY	2	EA		
5	0557200009	HOSE	2	EA		
6	0557200012	HOSE ASSY	1	EA		
7	0557200013	HOSE ASSY	1	EA		
7-1	1532215000	TUBE (SOLD BY THE METER)	1	EA	sold by the meter	
8	1801627084	HOSE ASSY	1	EA		
9	1801627058	HOSE ASSY	1	EA		
10	0557200016	HOSE ASSY	1	EA		
11	0007200154	NUT	4	EA		
12	0437200100	GUARD	1	EA		
13	0097022400	GUARD	1	EA		
14	1531350000	HOSE (SOLD BY THE METER)	2	EA	sold by the meter	
15	1531350000	HOSE (SOLD BY THE METER)	2	EA	sold by the meter	
16	1531345014	PROTECTOR	1	EA	sold by the meter	
17	0007300003	CLAMP	1	EA		
18	1100051016	BOLT	1	EA		
19	1140020010	WASHER, spring	1	EA		
20	1141110010	WASHER, plain	1	EA		
21	0557200017	HOSE ASSY	1	EA		

UNDERCARRIAGE PIPING; LOWER (with aux. line)

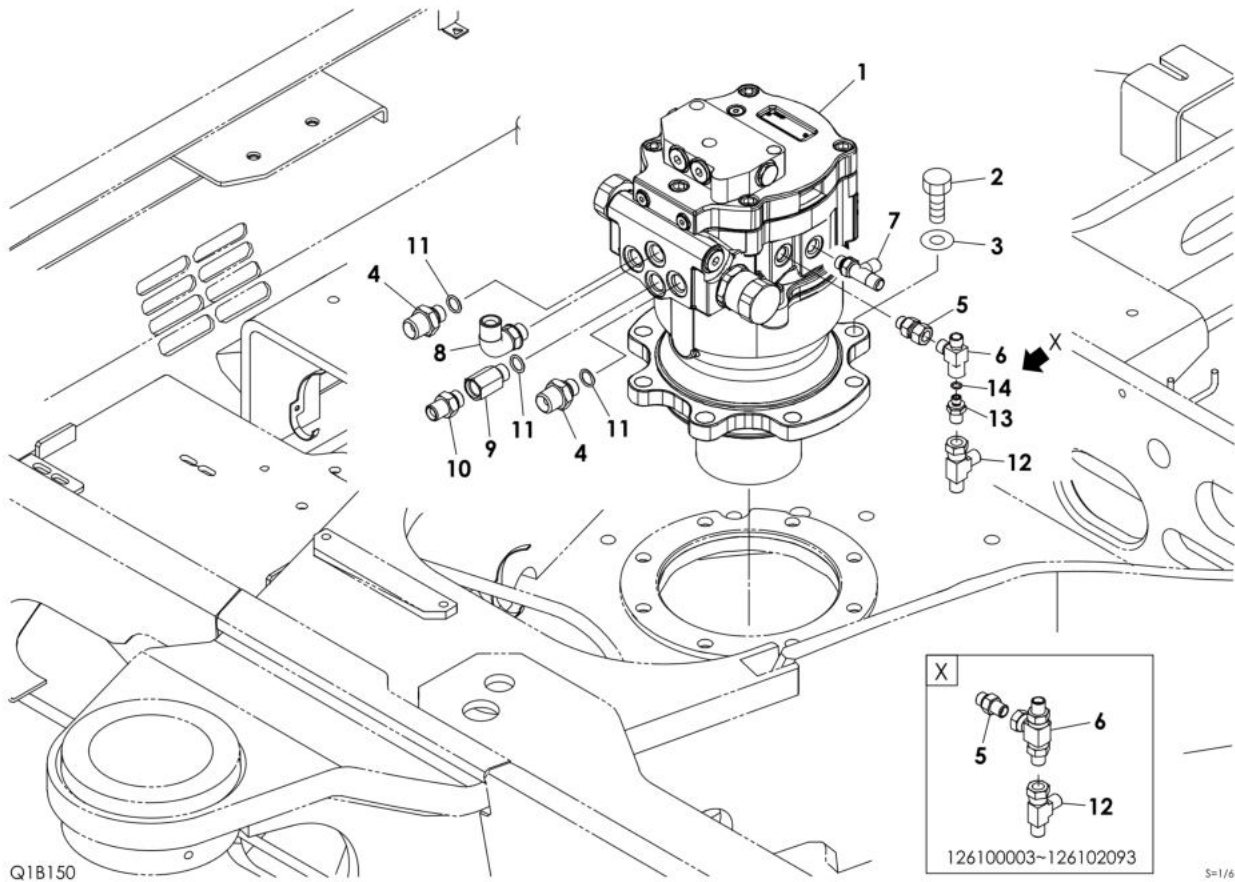


S=1/12

Item	Part No.	Name	Qty	Uom	Remarks	SERIAL NUMBER
Not Shown	PNNA	PIPING ASSY, lower		EA		
1	1804540128	HOSE ASSY	2	EA		
2	0557200007	HOSE	2	EA	18045-40128	
3	0557200008	HOSE ASSY	2	EA	18010-22130	
4	1801022124	HOSE ASSY	2	EA		
5	0557200009	HOSE	2	EA		
6	1801627084	HOSE ASSY	1	EA		
7	1801627058	HOSE ASSY	1	EA		
8	0007200154	NUT	2	EA		
9	0437200100	GUARD	1	EA		
10	0097022400	GUARD	1	EA		
11	1531350000	HOSE (SOLD BY THE METER)	2	EA	sold by the meter	
12	1531350000	HOSE (SOLD BY THE METER)	2	EA	sold by the meter	
13	1513900003	PLUG	2	EA		

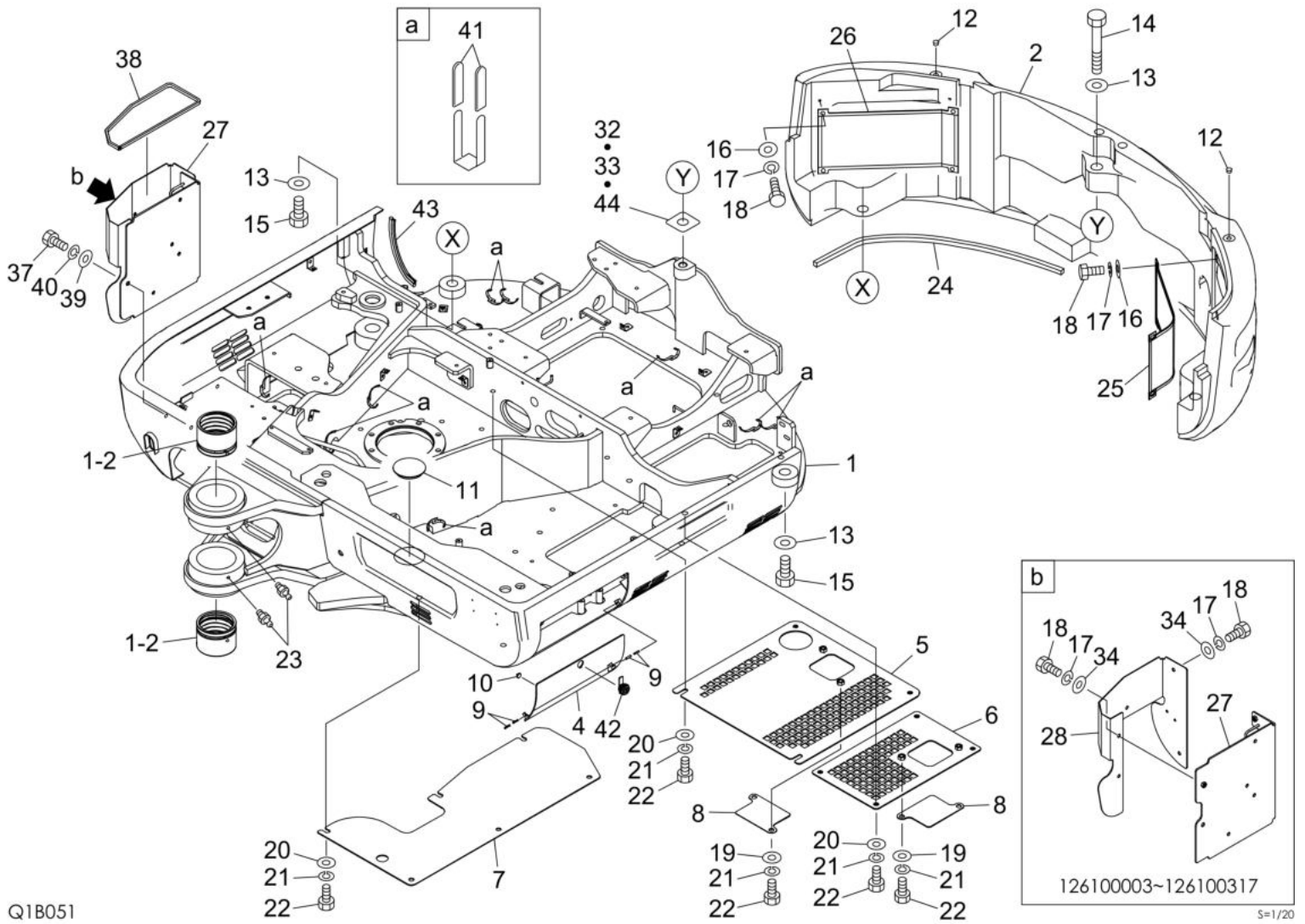
TURNTABLE & CONTROL LEVER SLEWING DEVICE

SET "a" is interchangeable with SET "A"

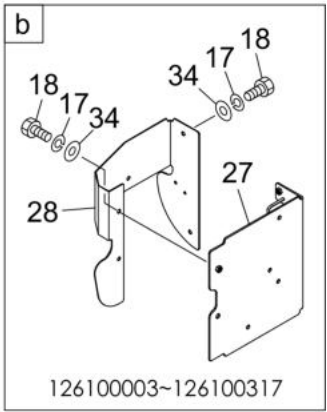


Item	Part No.	Name	Qty	Uom	Remarks	SERIAL NUMBER
-	PNNA	DEVICE ASSY, slewing (with shut-off valve)		EA		
-	PNNA	DEVICE ASSY, slewing (with boom shut-off valve)		EA		
1	1903130500	MOTOR, slew	1	EA		
2	1101041640	BOLT	8	EA		
3	1141550016	WASHER (HEAT M16)	8	EA		
4	0007203063	ADAPTOR	2	EA		
5	*****	ADAPTOR	1	EA	a	126100003~126102093
5	1420010110	O-RING	1	EA		126100003~126102093
5	1511410002	ADAPTOR	1	EA	A	126102094~
5	1420010110	O-RING	1	EA		126102094~
6	*****	VALVE, shuttle	1	EA	a	126100003~126102093
6	1901768700	VALVE, shuttle	1	EA	A	126102094~
7	1512370011	TEE	1	EA		
7	1420010110	O-RING	1	EA		
8	1515010131	ELBOW	1	EA		
8	1420010140	O-RING	1	EA		
9	0007213016	BUSHING	1	EA		
10	1515600201	ADAPTOR	1	EA		
10	1420010140	O-RING	1	EA		
11	1420010140	O-RING	3	EA		
12	1513390015	TEE (with boom+arm shut-off valve)	1	EA	with shut-off valve	
13	0007203059	NIPPLE	1	EA	A	126102094~
14	1420010080	O-RING	1	EA	A	126102094~

TURNTABLE & CONTROL LEVER TURNTABLE (cab)



Q1B051



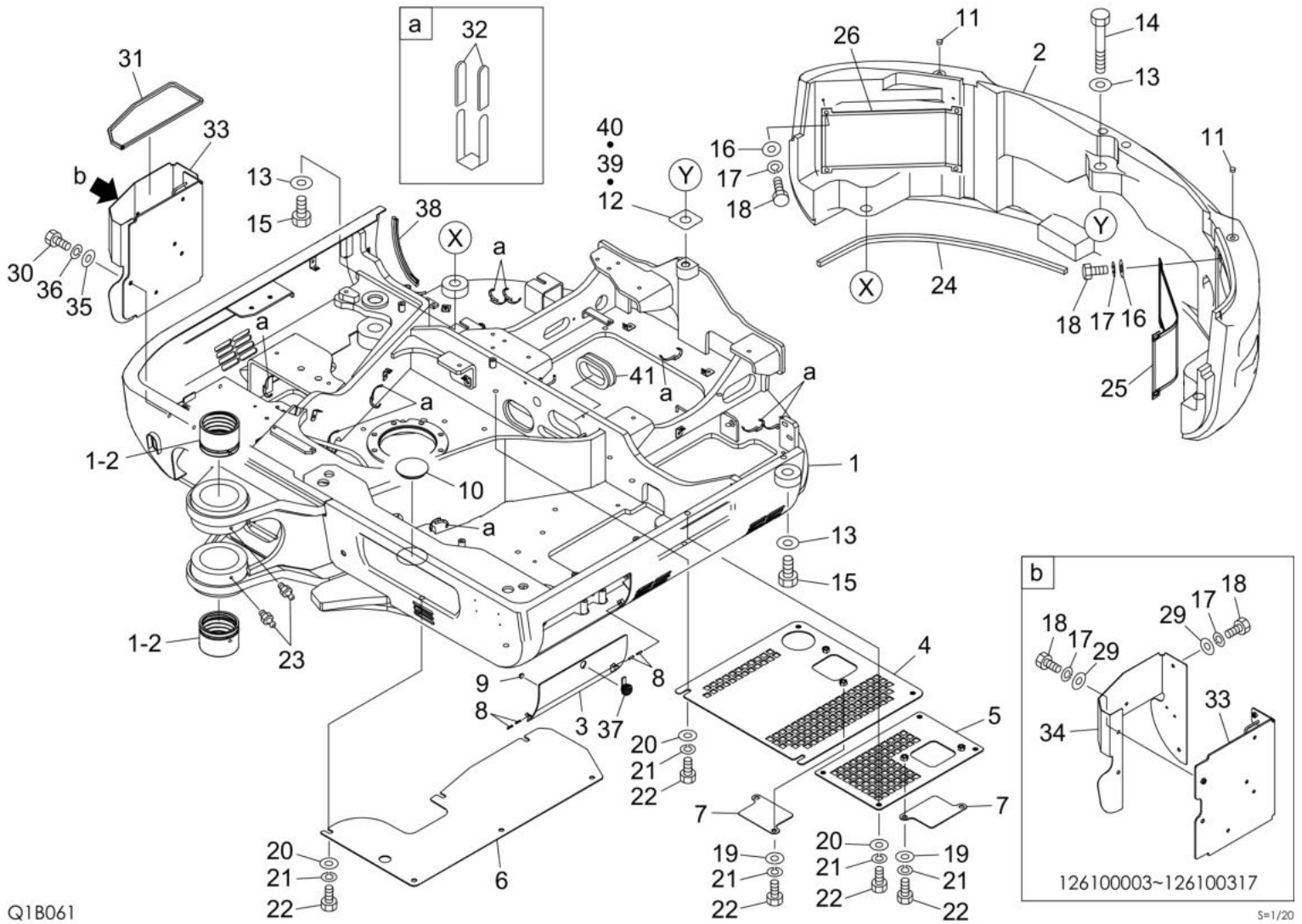
S=1/20

Item	Part No.	Name	Qty	Uom	Remarks	SERIAL NUMBER
-	PNNA	TURNTABLE ASSY		EA		
1	*****	TURNTABLE	1	EA		
1-2	0553003093	BUSHING	2	EA		
2	0553000013	COUNTERWEIGHT	1	EA		
4	0553000006	COVER ASSY	1	EA		
5	0553000020	COVER ASSY	1	EA		
6	0553000022	COVER	1	EA		
7	0553000063	COVER	1	EA		
8	0553000017	COVER	2	EA		
9	1213000420	PIN, spring	4	EA		
10	1652515000	CUSHING, rubber	2	EA		
11	1652030012	GROMMET	1	EA		
12	1652533021	CAP	2	EA		
13	0003600235	WASHER	3	EA		
14	1101342420	BOLT	1	EA		
15	1101242470	BOLT	2	EA		
16	0003608252	WASHER	8	EA		
17	1140020008	WASHER, spring	8	EA		
18	1100050820	BOLT (10TM8 X 20 P/1.25)	8	EA		
19	1141110012	WASHER	4	EA		
20	0003600024	WASHER (12.5/30 T/3)	14	EA		
21	1140020012	WASHER, spring (12MM)	18	EA		
22	1101051225	BOLT	18	EA		
23	1560001000	FITTING, grease	2	EA		
24	1654349080	SPONGE	1	EA	sold by the meter	126100003~126101099
24	0553000124	SPONGE	1	EA		126101100~
25	0553000052	NET ASSY	1	EA		
26	0553000056	NET ASSY	1	EA		
27	0553000084	PLATE	1	EA		126100003~126100317
27	0553000118	BOX, tool	1	EA		126100318~
28	0553000086	PLATE ASSY	1	EA		126100003~126100317
32	0003600306	SHIM	1	EA	t=1.2mm	
33	0003600305	SHIM	1	EA	t=2.3mm	
34	1141110008	WASHER	3	EA		126100003~126100317
37	1100051025	BOLT (10TM10 X 25 P/1.5)	3	EA		
38	1653916089	TRIM	1	EA	sold by the meter	
39	1141110010	WASHER, plain	3	EA		
40	1140020010	WASHER, spring	3	EA		

This page intentionally left blank

Item	Part No.	Name	Qty	Uom	Remarks	SERIAL NUMBER
41	0872433150	TUBE	48	EA		
42	1653601395	LOCK ASSY (DOESNT INCLUDE KEYS #1700100019)	1	EA		
43	1654349020	SPONGE	1	EA	sold by the meter	126100003~126101099
43	0553000123	SPONGE	1	EA		126101100~
44	0003600307	SHIM	1	EA	t=2.0mm	

TURNTABLE & CONTROL LEVER TURNTABLE (canopy)



Q1B061

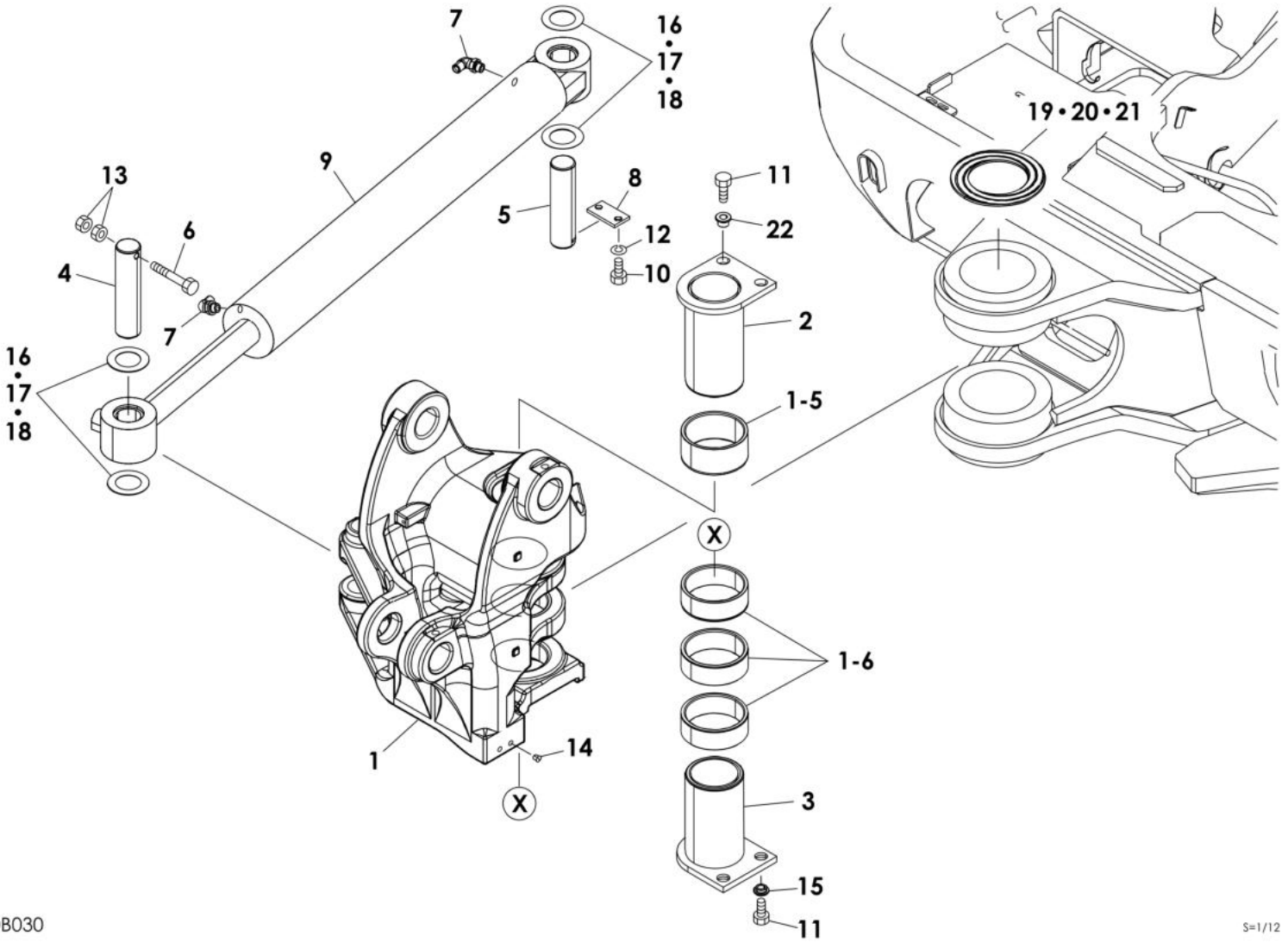
S=1/20

Item	Part No.	Name	Qty	Uom	Remarks	SERIAL NUMBER
-	PNNA	TURNTABLE ASSY		EA		
1	*****	TURNTABLE	1	EA		
1-2	0553003093	BUSHING	2	EA		
2	0553000012	COUNTERWEIGHT	1	EA		
3	0553000006	COVER ASSY	1	EA		
4	0553000020	COVER ASSY	1	EA		
5	0553000022	COVER	1	EA		
6	0553000063	COVER	1	EA		
7	0553000017	COVER	2	EA		
8	1213000420	PIN, spring	4	EA		
9	1652515000	CUSHING, rubber	2	EA		
10	1652030012	GROMMET	1	EA		
11	1652533021	CAP	2	EA		
12	0003600307	SHIM	1	EA	t=2.0mm	
13	0003600235	WASHER	3	EA		
14	1101342420	BOLT	1	EA		
15	1101242470	BOLT	2	EA		
16	0003608252	WASHER	8	EA		
17	1140020008	WASHER, spring	11	EA		
18	1100050820	BOLT (10TM8 X 20 P/1.25)	11	EA		
19	1141110012	WASHER	4	EA		
20	0003600024	WASHER (12.5/30 T/3)	14	EA		
21	1140020012	WASHER, spring (12MM)	18	EA		
22	1101051225	BOLT	18	EA		
23	1560001000	FITTING, grease	2	EA		
24	1654349080	SPONGE	1	EA	sold by the meter	126100003~126101099
24	0553000124	SPONGE	1	EA		126101100~
25	0553000052	NET ASSY	1	EA		
26	0553000056	NET ASSY	1	EA		
29	1141110008	WASHER	3	EA		126100003~126100317
30	1100051025	BOLT (10TM10 X 25 P/1.5)	3	EA		
31	1653916089	TRIM	1	EA	sold by the meter	
32	0872433150	TUBE	48	EA		
33	0553000084	PLATE	1	EA		126100003~126100317
33	0553000118	BOX, tool	1	EA		126100318~
34	0553000086	PLATE ASSY	1	EA		126100003~126100317
35	1141110010	WASHER, plain	3	EA		
36	1140020010	WASHER, spring	3	EA		

This page intentionally left blank

Item	Part No.	Name	Qty	Uom	Remarks	SERIAL NUMBER
37	1653601395	LOCK ASSY (DOESNT INCLUDE KEYS #1700100019)	1	EA		
38	1654349020	SPONGE	1	EA	sold by the meter	126100003~126101099
38	0553000123	SPONGE	1	EA		126101100~
39	0003600305	SHIM	1	EA	t=2.3mm	
40	0003600306	SHIM	1	EA	t=1.2mm	
41	0553000115	GROMMET	1	EA		

TURNTABLE & CONTROL LEVER BOOM SWING

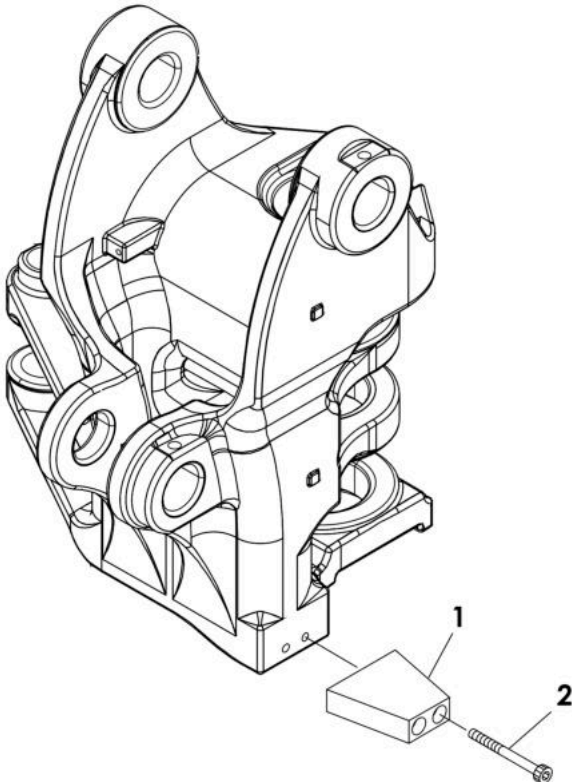


Q0B030

S=1/12

Item	Part No.	Name	Qty	Uom	Remarks	SERIAL NUMBER
Not Shown	PNNA	SWING ASSY, boom		EA		
1	0553100300	LINK	1	EA		
1-5	0393113155	BUSHING	1	EA		
1-6	0553100130	BUSHING	3	EA		
2	0553100006	PIN	1	EA		
3	0553100220	PIN	1	EA		
4	0001614190	PIN	1	EA		
5	0001694012	PIN	1	EA		
6	1103041085	BOLT (10.9 ZINC COATED M10 X 90MM)	1	EA		
7	1515010041	ELBOW	2	EA		
7	1420010140	O-RING	1	EA		
8	0433105700	PLATE	1	EA		
9	1900113100	CYLINDER, swing	1	EA		
10	1101041220	BOLT	2	EA		
11	1101051230	BOLT (10TM12 X 30 P/1.5)	4	EA		
12	1140020012	WASHER, spring (12MM)	2	EA		
13	1130240010	NUT	2	EA		
14	1652533018	CAP	2	EA		
15	0003900081	WASHER	2	EA		
16	0456008600	SHIM	1	EA	t=1.0mm	
17	0003600056	SHIM (t=0.5mm)	AR	EA	T=0.5MM	
18	0003600055	SHIM (t=0.2mm)	AR	EA	t=0.2mm	
19	0393114021	WASHER	1	EA		
20	0393114022	WASHER	1	EA		
21	0393114023	WASHER	1	EA		
22	0003900092	WASHER	2	EA		

TURNTABLE & CONTROL LEVER SWING STOPPER

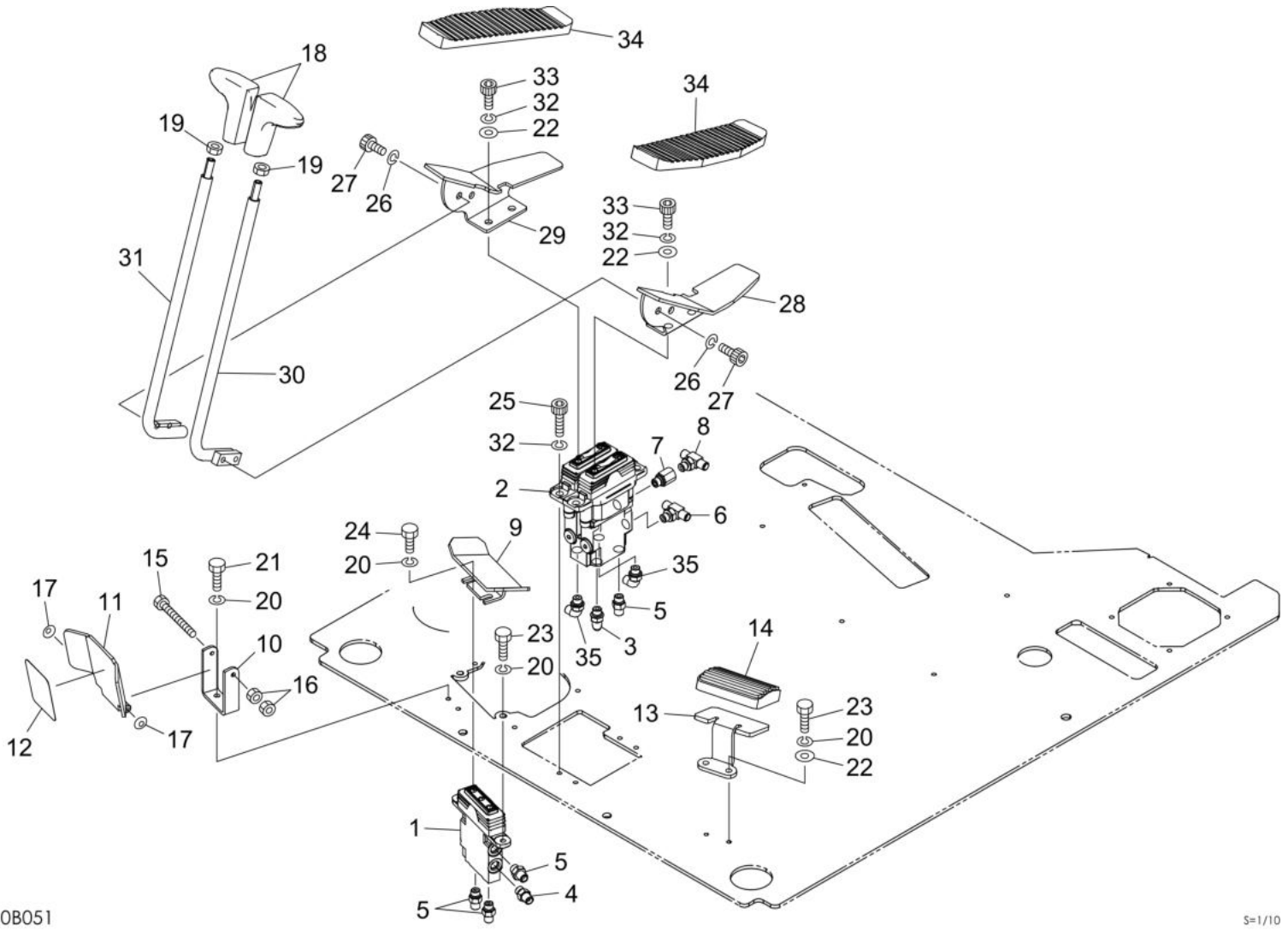


Q0B040

S=1/8

Item	Part No.	Name	Qty	Uom	Remarks	SERIAL NUMBER
Not Shown	PNNA	STOPPER ASSY, swing		EA		
1	0563900100	PLATE	1	EA		
2	1111141200	SCREW, cap	2	EA		

TURNTABLE & CONTROL LEVER TRAVEL LEVER & SWING PEDAL



Q0B051

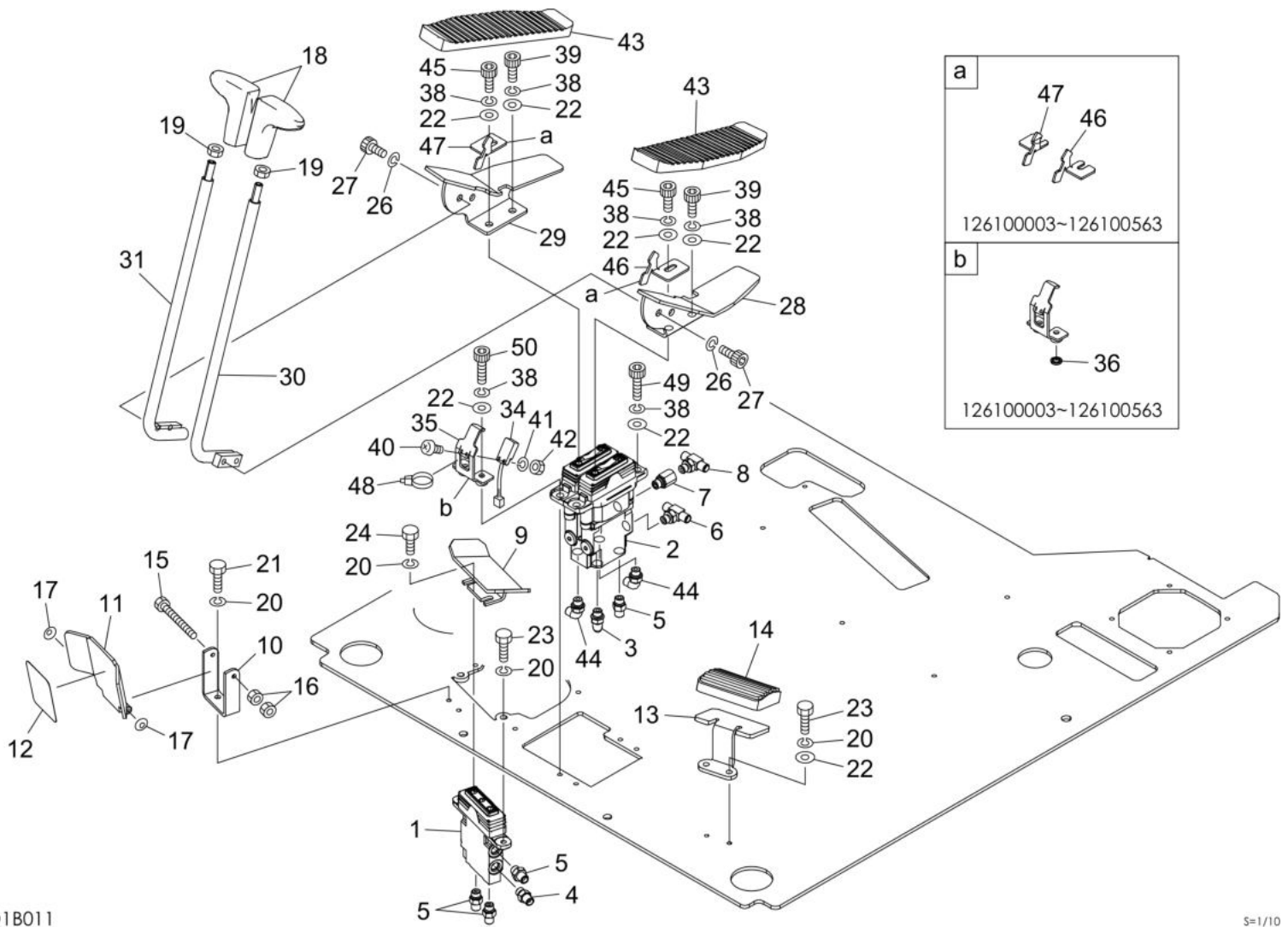
S=1/10

Item	Part No.	Name	Qty	Uom	Remarks	SERIAL NUMBER
-	PNNA	LEVER ASSY, control		EA		
1	1901735000	VALVE, remote control	1	EA		
2	1901750500	VALVE	1	EA		
3	1515102110	ELBOW	1	EA		
3	1420010110	O-RING	1	EA		
4	1512370008	ADAPTOR (with filter)	1	EA		
4	1420010110	O-RING	1	EA		
5	1515600200	ADAPTOR	4	EA		
5	1420010110	O-RING	1	EA		
6	1512370002	TEE (with filter)	1	EA		
6	1420010110	O-RING	1	EA		
7	1513250202	BUSHING	1	EA		
7	1420010110	O-RING	1	EA		
8	1512370010	ADAPTOR	1	EA		
8	1420010110	O-RING	1	EA		
9	0563228060	PEDAL	1	EA		
10	0563231710	PLATE	1	EA		
11	0333234260	COVER	1	EA		
12	0333241250	SHEET	1	EA		
13	0563219700	REST, foot	1	EA		
14	0563218500	COVER	1	EA		
15	1100040680	BOLT	1	EA		
16	1130040006	NUT	2	EA		
17	1225110006	WASHER, conical	2	EA		
18	1650205400	GRIP	2	EA		
19	1131040012	NUT	2	EA		
20	1140020008	WASHER, spring	8	EA		
21	1100050825	BOLT (10TM8 X 25 P/1.25)	2	EA		
22	1141110008	WASHER	10	EA		
23	1100050820	BOLT (10TM8 X 20 P/1.25)	4	EA		
24	1100050814	BOLT (10TM8 X 14 P/1.25)	2	EA		
25	1110050830	BOLT (10T8 X 30 P/1.25)	4	EA		
26	1140420010	WASHER, spring	4	EA		
27	1110041016	BOLT, socket (10TM10 X 16 P/1.5)	4	EA		
28	0563200002	PEDAL (L.H.)	1	EA		
29	0563200004	PEDAL (R.H.)	1	EA		
30	0563230860	LEVER (L.H.)	1	EA		
31	0563230850	LEVER (R.H.)	1	EA		

This page intentionally left blank

Item	Part No.	Name	Qty	Uom	Remarks	SERIAL NUMBER
32	1140420008	WASHER, spring	8	EA		
33	1110090816	SCREW, cap	4	EA		
34	0563226200	COVER	2	EA		
35	1515012040	ELBOW	2	EA		
35	1420010110	O-RING	1	EA		

TURNTABLE & CONTROL LEVER TRAVEL LEVER & SWING PEDAL (with travel alarm)



Q1B011

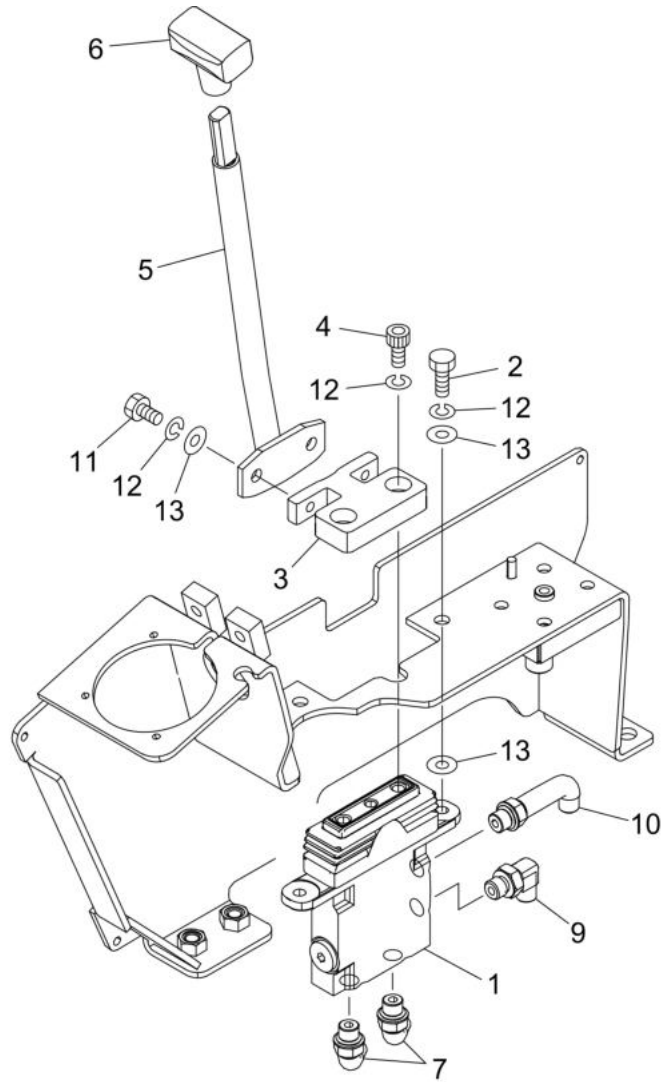
S=1/10

Item	Part No.	Name	Qty	Uom	Remarks	SERIAL NUMBER
-	PNNA	LEVER ASSY, control		EA		
1	1901735000	VALVE, remote control	1	EA		
2	1901750500	VALVE	1	EA		
3	1515102110	ELBOW	1	EA		
3	1420010110	O-RING	1	EA		
4	1512370008	ADAPTOR (with filter)	1	EA		
4	1420010110	O-RING	1	EA		
5	1515600200	ADAPTOR	4	EA		
5	1420010110	O-RING	1	EA		
6	1512370002	TEE (with filter)	1	EA		
6	1420010110	O-RING	1	EA		
7	1513250202	BUSHING	1	EA		
7	1420010110	O-RING	1	EA		
8	1512370010	ADAPTOR	1	EA		
8	1420010110	O-RING	1	EA		
9	0563228060	PEDAL	1	EA		
10	0563231710	PLATE	1	EA		
11	0333234260	COVER	1	EA		
12	0333241250	SHEET	1	EA		
13	0563219700	REST, foot	1	EA		
14	0563218500	COVER	1	EA		
15	1100040680	BOLT	1	EA		
16	1130040006	NUT	2	EA		
17	1225110006	WASHER, conical	2	EA		
18	1650205400	GRIP	2	EA		
19	1131040012	NUT	2	EA		
20	1140020008	WASHER, spring	8	EA		
21	1100050825	BOLT (10TM8 X 25 P/1.25)	2	EA		
22	1141110008	WASHER	10	EA		
23	1100050820	BOLT (10TM8 X 20 P/1.25)	4	EA		
24	1100050814	BOLT (10TM8 X 14 P/1.25)	2	EA		
26	1140420010	WASHER, spring	4	EA		
27	1110041016	BOLT, socket (10TM10 X 16 P/1.5)	4	EA		
28	0563200002	PEDAL (L.H.)	1	EA		
29	0563200004	PEDAL (R.H.)	1	EA		
30	0563230860	LEVER (L.H.)	1	EA		
31	0563230850	LEVER (R.H.)	1	EA		
34	1700009010	SWITCH, proximity	1	EA		

This page intentionally left blank

Item	Part No.	Name	Qty	Uom	Remarks	SERIAL NUMBER
35	055320007	COVER	1	EA		
36	0003600244	COLLAR	2	EA		126100003~126100563
38	1140420008	WASHER, spring	8	EA		
39	1110090816	SCREW, cap	2	EA		
40	1120530314	SCREW	2	EA		
41	1140020003	WASHER, spring	2	EA		
42	1130030003	NUT	2	EA		
43	0563226200	COVER	2	EA		
44	1515012040	ELBOW	2	EA		
44	1420010110	O-RING	1	EA		
45	1100050625	BOLT (10TM6 X 25 P/1.00)	2	EA		
46	0553200015	PLATE	1	EA		126100003~126100563
46	0373200004	PLATE (L.H.)	1	EA		126100564~
47	0553200016	PLATE	1	EA		126100003~126100563
47	0373200005	PLATE (R.H.)	1	EA		126100564~
48	1652201004	BAND	1	EA		
49	1110050830	BOLT (10T8 X 30 P/1.25)	2	EA		
50	1110050840	BOLT	2	EA		

TURNTABLE & CONTROL LEVER DOZER BLADE LEVER

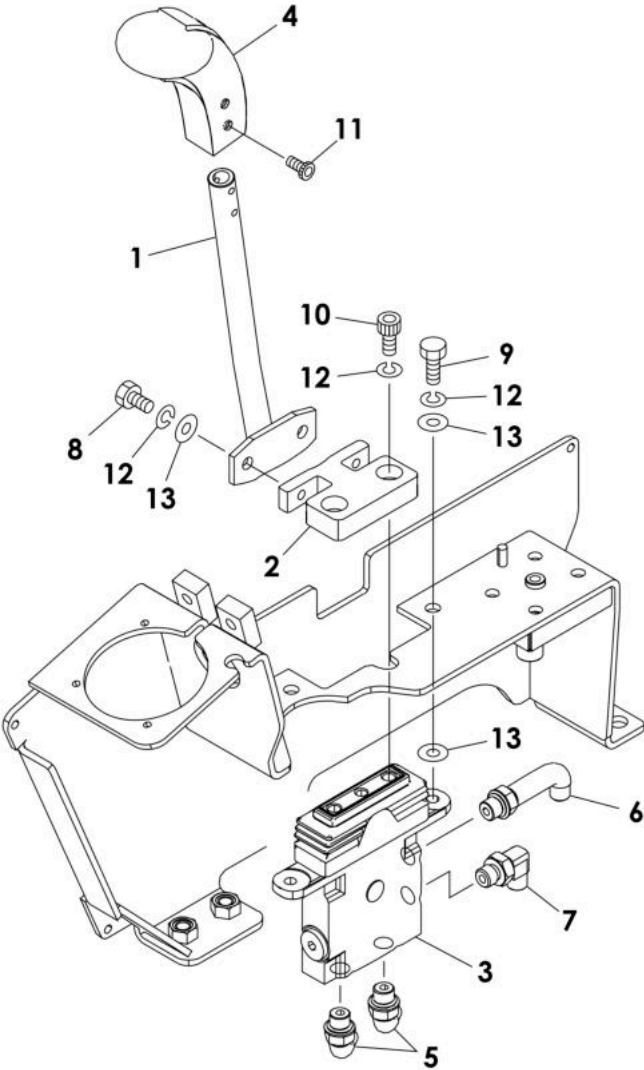


Q0B060

S=1/5

Item	Part No.	Name	Qty	Uom	Remarks	SERIAL NUMBER
-	PNNA	LEVER ASSY, blade		EA		
1	1901745400	VALVE ASSY, remote control	1	EA		
2	1100050820	BOLT (10TM8 X 20 P/1.25)	2	EA		
3	0563313620	PLATE	1	EA		
4	1110090816	SCREW, cap	2	EA		
5	0553300006	LEVER	1	EA		
6	1650200510	GRIP	1	EA		
7	1515012040	ELBOW	2	EA		
7	1420010110	O-RING	1	EA		
9	1512375004	ELBOW (with filter)	1	EA		
9	1420010110	O-RING	1	EA		
10	1515012510	ELBOW	1	EA		
10	1420010110	O-RING	1	EA		
11	1100090816	BOLT	2	EA		
12	1140020008	WASHER, spring	6	EA		
13	1141110008	WASHER	6	EA		

TURNTABLE & CONTROL LEVER DOZER BLADE LEVER (angle blade type) (cab)

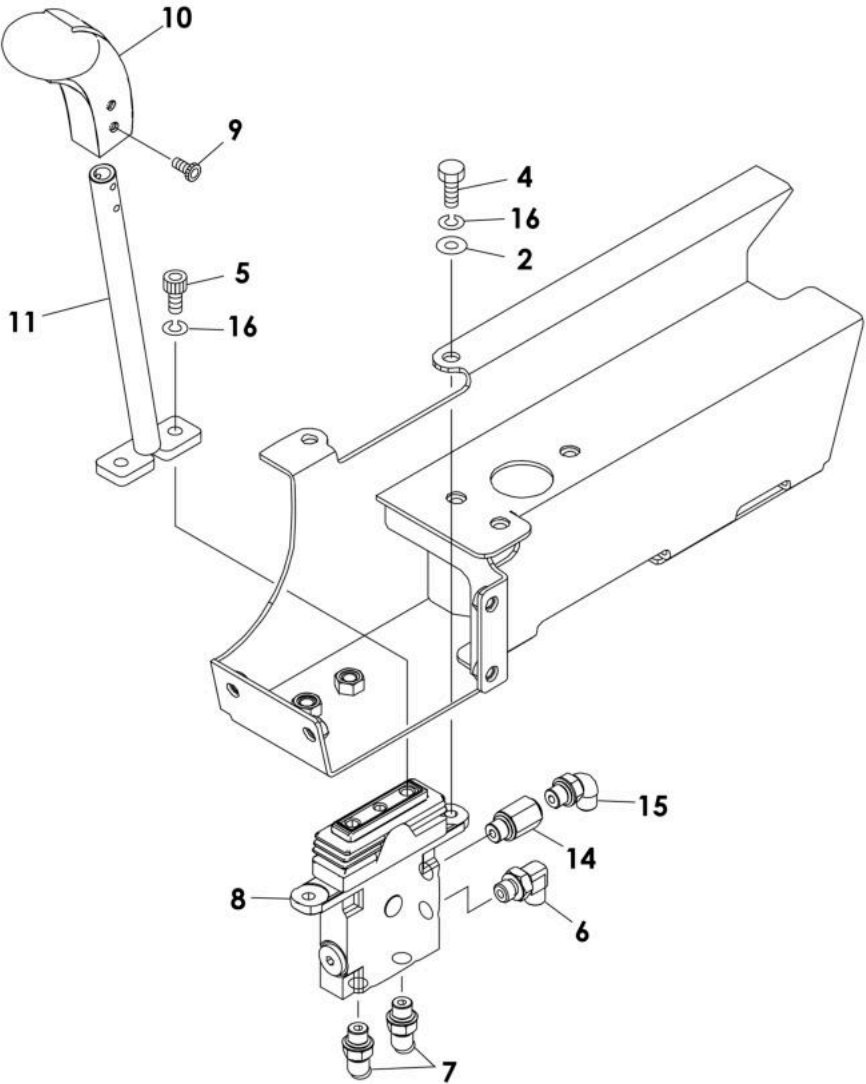


Q1B020

S=1/5

Item	Part No.	Name	Qty	Uom	Remarks	SERIAL NUMBER
Not Shown	PNNA	LEVER ASSY, blade		EA		
1	0563314110	LEVER	1	EA		
2	0563313620	PLATE	1	EA		
3	1901764100	VALVE	1	EA		
4	1650204850	GRIP	1	EA		
5	1515012040	ELBOW	2	EA		
5	1420010110	O-RING	1	EA		
6	1515012510	ELBOW	1	EA		
6	1420010110	O-RING	1	EA		
7	1512375004	ELBOW (with filter)	1	EA		
7	1420010110	O-RING	1	EA		
8	1100090816	BOLT	2	EA		
9	1100050820	BOLT (10TM8 X 20 P/1.25)	2	EA		
10	1110090816	SCREW, cap	2	EA		
11	1111850610	SCREW, cap	2	EA		
12	1140020008	WASHER, spring	6	EA		
13	1141110008	WASHER	6	EA		

TURNTABLE & CONTROL LEVER DOZER BLADE LEVER (angle blade type) (canopy)

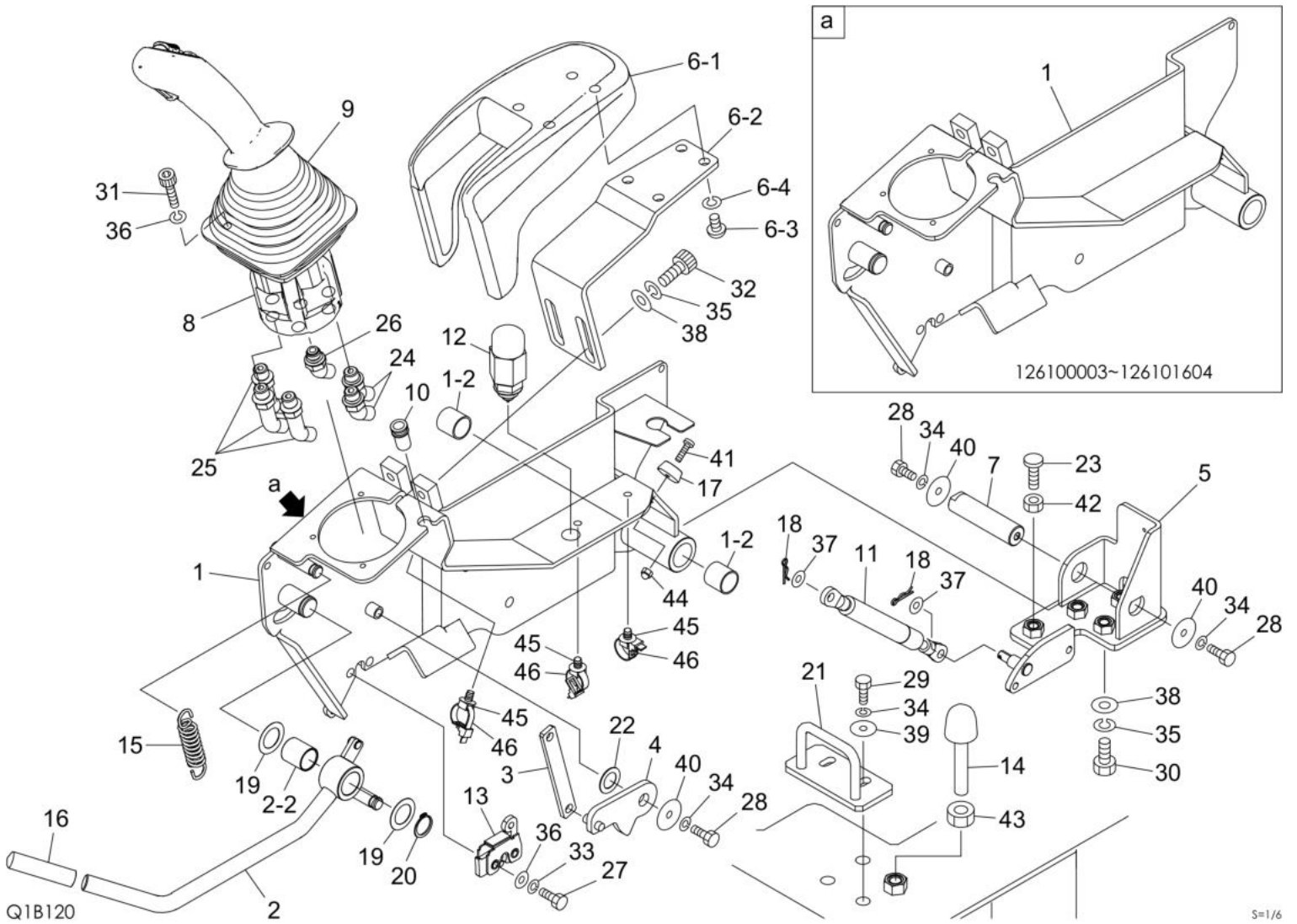


Q1B070

S=1/5

Item	Part No.	Name	Qty	Uom	Remarks	SERIAL NUMBER
Not Shown	PNNA	LEVER ASSY, blade		EA		
2	0003608252	WASHER	2	EA		
4	1100050820	BOLT (10TM8 X 20 P/1.25)	2	EA		
5	1110090816	SCREW, cap	2	EA		
6	1512375004	ELBOW (with filter)	1	EA		
6	1420010110	O-RING	1	EA		
7	1515102110	ELBOW	2	EA		
7	1420010110	O-RING	1	EA		
8	1901764100	VALVE	1	EA		
9	1111850610	SCREW, cap	2	EA		
10	1650204850	GRIP	1	EA		
11	0553300020	LEVER	1	EA		
14	1513250202	BUSHING	1	EA		
14	1420010110	O-RING	1	EA		
15	1515012040	ELBOW	1	EA		
15	1420010110	O-RING	1	EA		
16	1140020008	WASHER, spring	4	EA		

TURNTABLE & CONTROL LEVER OPERATION LEVER & STAND (L.H.) (cab)

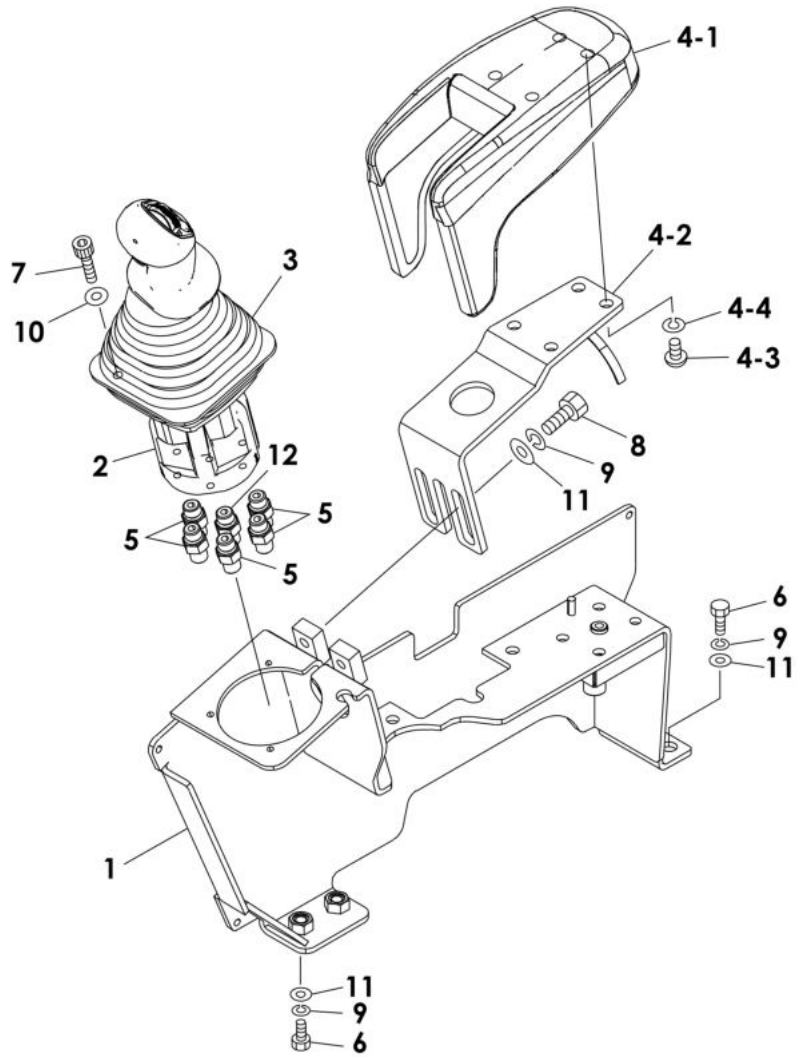


Item	Part No.	Name	Qty	Uom	Remarks	SERIAL NUMBER
-	PNNA	VALVE ASSY (L.H.)		EA		
1	0565129430	BRACKET (L.H.)	1	EA		126100003~126101604
1	0565100092	BRACKET (L.H.)	1	EA		126101605~
1-2	1333002015	BUSHING (20X23X15)	2	EA		
2	0565129340	LEVER	1	EA		
2-2	1333002025	BUSHING	1	EA		
3	0565128550	PLATE	1	EA		
4	0565128560	PLATE	1	EA		
5	0565129380	BRACKET	1	EA		
6	*****	REST ASSY, arm	1	EA		
6-1	0565128840	REST, arm	1	EA		
6-2	0565129311	PLATE (L.H.)	1	EA		
6-3	1120530812	SCREW, cap	4	EA		
6-4	1140020008	WASHER, spring	4	EA		
7	0565128610	SHAFT	1	EA		
8	1901758100	VALVE ASSY, pilot (L.H.)	1	EA		
9	0375109110	BOOT	1	EA		
10	1700100092	GROMMET	1	EA		
11	1653900057	SPRING, gas	1	EA		
12	1700000033	SWITCH, safety	1	EA		
13	1654011330	LOCK	1	EA		
14	1651101225	STOPPER	1	EA		
15	0007000070	SPRING (TL SERIES)	1	EA		
16	1650202300	CAP	1	EA		
17	1652102410	RUBBER	1	EA		
18	1214000008	PIN, snap	2	EA		
19	0093208300	WASHER	2	EA		
20	1220000020	RING, retaining	1	EA		
21	0563422890	STRIKER	1	EA		
22	0083252100	WASHER, thrust	1	EA		
23	0335120970	BOLT	1	EA		
24	1515102110	ELBOW	2	EA		
24	1420010110	O-RING	1	EA		
25	1515102540	FITTING	3	EA		
26	1512370012	ADAPTOR, elbow (with filter)	1	EA		
26	1420010110	O-RING	1	EA		
27	1100040630	BOLT (10TM6 X 30 P/1.0)	2	EA		
28	1100090816	BOLT	3	EA		

This page intentionally left blank

Item	Part No.	Name	Qty	Uom	Remarks	SERIAL NUMBER
29	1100050825	BOLT (10TM8 X 25 P/1.25)	2	EA		
30	1100051030	BOLT	3	EA		
31	1110040625	BOLT, socket (10TM6 X 25 P/1.0)	3	EA		
32	1110051025	SCREW, cap (10TM10 X 25 P/1.5)	2	EA		
33	1140020006	WASHER, spring	2	EA		
34	1140020008	WASHER, spring	5	EA		
35	1140020010	WASHER, spring	5	EA		
36	1141110006	WASHER	5	EA		
37	1141110008	WASHER	2	EA		
38	1141110010	WASHER, plain	5	EA		
39	0003608252	WASHER	2	EA		
40	0003609003	WASHER (9/30 T/3.2)	3	EA		
41	1150120412	SCREW	1	EA		
42	1130240010	NUT	1	EA		
43	1130050012	NUT (8TM12 P/1.75)	1	EA		
44	1134230004	NUT	1	EA		
45	1652201010	MOUNT	3	EA		126101605~
46	1652231100	BAND	3	EA		126101605~

TURNTABLE & CONTROL LEVER OPERATION LEVER & STAND (R.H.) (cab)

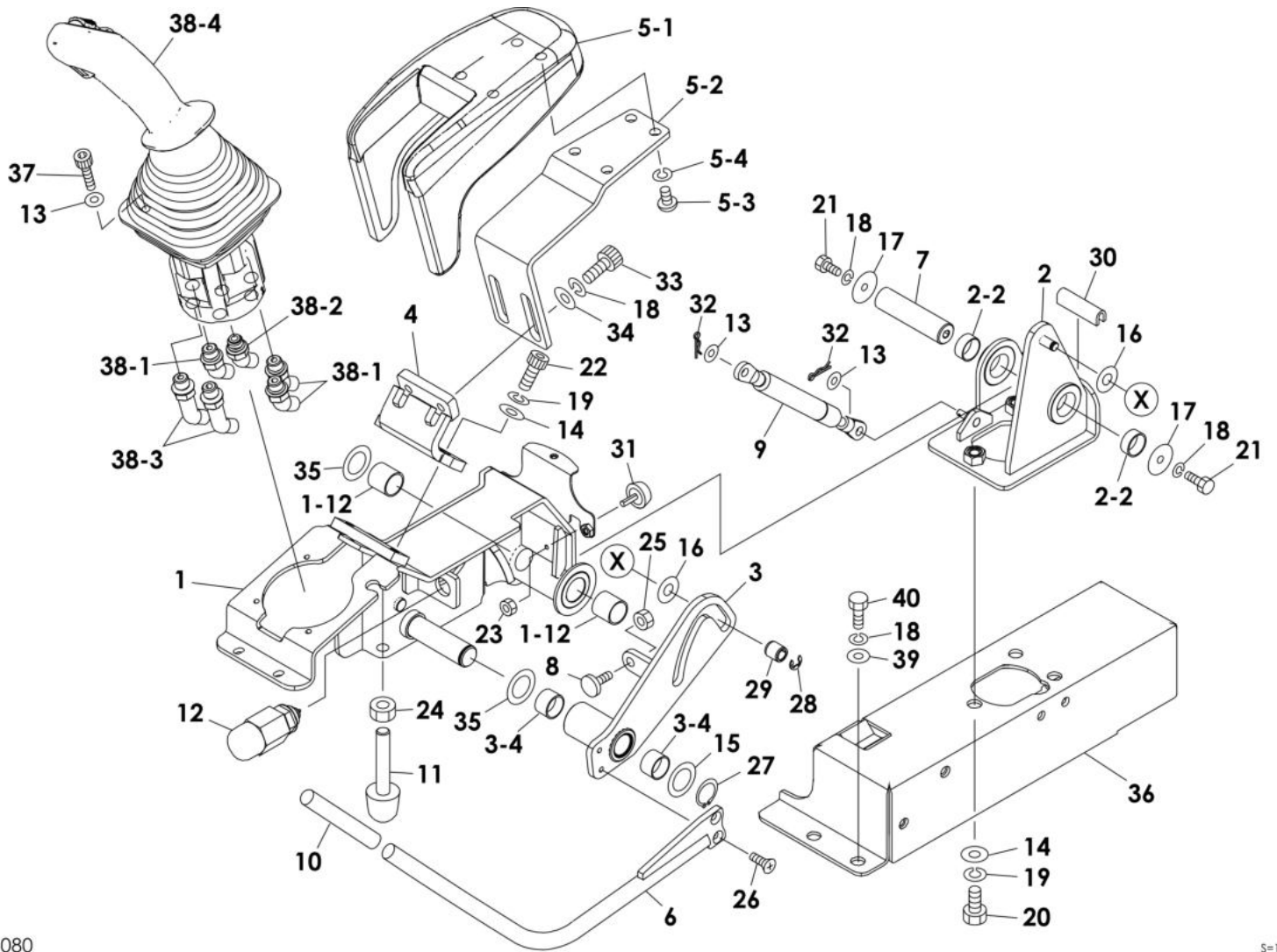


Q0B081

5=1/6

Item	Part No.	Name	Qty	Uom	Remarks	SERIAL NUMBER
Not Shown	PNNA	VALVE ASSY (R.H.) (3 switch)		EA		
Not Shown	PNNA	VALVE ASSY (R.H.) (4 switch)		EA		
1	0555100006	BRACKET (R.H.)	1	EA		
2	1901758000	VALVE ASSY, pilot (R.H.)	1	EA	3 switch	
2	1901759000	VALVE ASSY, pilot (R.H.)	1	EA	4 switch	
3	0375109110	BOOT	1	EA		
4	0565128850	REST ASSY, arm (R.H.)	1	EA		
4-1	0565128840	REST, arm	1	EA		
4-2	0565127750	PLATE (R.H.)	1	EA		
4-3	1120530812	SCREW, cap	4	EA		
4-4	1140020008	WASHER, spring	4	EA		
5	1515600200	ADAPTOR	5	EA		
5	1420010110	O-RING	1	EA		
6	1100051035	BOLT (10TM10 X 35 P/1.5)	4	EA		
7	1110040625	BOLT, socket (10TM6 X 25 P/1.0)	3	EA		
8	1110051025	SCREW, cap (10TM10 X 25 P/1.5)	2	EA		
9	1140020010	WASHER, spring	6	EA		
10	1141110006	WASHER	3	EA		
11	1141110010	WASHER, plain	6	EA		
12	1512370008	ADAPTOR (with filter)	1	EA		
12	1420010110	O-RING	1	EA		

TURNTABLE & CONTROL LEVER OPERATION LEVER & STAND (L.H.) (canopy) (126100003-126100563)



Q1B080

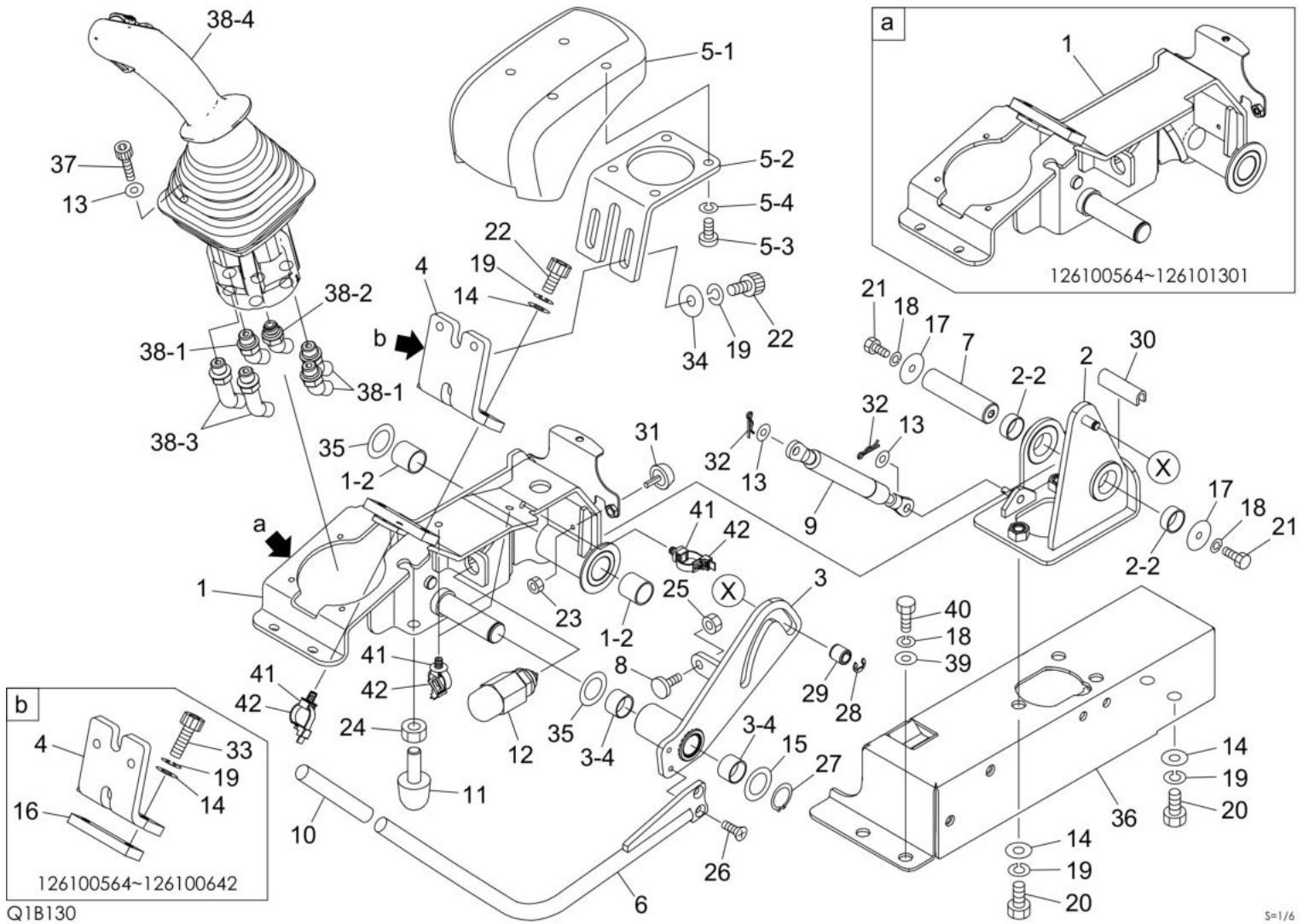
S=1/6

Item	Part No.	Name	Qty	Uom	Remarks	SERIAL NUMBER
-	PNNA	VALVE ASSY (L.H.)		EA		
1	0335100053	BRACKET ASSY (L.H.)	1	EA		
1-12	1333002015	BUSHING (20X23X15)	2	EA		
2	0375100021	BRACKET ASSY (L.H.)	1	EA		
2-2	1333002010	BUSHING	2	EA		
3	0335100027	PLATE	1	EA		
3-4	1333002015	BUSHING (20X23X15)	2	EA		
4	0555100036	PLATE	1	EA		
5	*****	REST ASSY, arm	1	EA		
5-1	0565128840	REST, arm	1	EA		
5-2	0565129311	PLATE (L.H.)	1	EA		
5-3	1120530812	SCREW, cap	4	EA		
5-4	1140020008	WASHER, spring	4	EA		
6	0335100031	LEVER	1	EA		
7	0375100025	PIN	1	EA		
8	0335120970	BOLT	1	EA		
9	1653900080	SPRING, gas	1	EA		
10	1650202300	CAP	1	EA		
11	1651101225	STOPPER	1	EA		
12	1700000033	SWITCH, safety	1	EA		
13	1141110006	WASHER	5	EA		
14	1141110010	WASHER, plain	5	EA		
15	1141110020	WASHER	1	EA		
16	1141110012	WASHER	1	EA		
17	0003609003	WASHER (9/30 T/3.2)	2	EA		
18	1140020008	WASHER, spring	8	EA		
19	1140020010	WASHER, spring	5	EA		
20	1100051030	BOLT	3	EA		
21	1110090816	SCREW, cap	2	EA		
22	1110051025	SCREW, cap (10TM10 X 25 P/1.5)	2	EA		
23	1130030005	NUT	1	EA		
24	1130050012	NUT (8TM12 P/1.75)	1	EA		
25	1132712010	NUT (M10 P/1.5)	1	EA		
26	1120800610	SCREW	2	EA		
27	1220000020	RING, retaining	1	EA		
28	1224000006	RING, retaining (E-RING 6MM)	1	EA		
29	1314000812	BEARING	1	EA		
30	1654629005	TRIM	1	EA	sold by the meter	

This page intentionally left blank

Item	Part No.	Name	Qty	Uom	Remarks	SERIAL NUMBER
31	1652515100	CUSHION, rubber	1	EA		
32	1214000006	PIN, snap	2	EA		
33	1110050820	SCREW, cap (10TM8 X 20 P/1.25)	2	EA		
34	0003608252	WASHER	2	EA		
35	0093208300	WASHER	2	EA		
36	0555100018	PLATE	1	EA		
37	1110040625	BOLT, socket (10TM6 X 25 P/1.0)	3	EA		
38	*****	VALVE ASSY (L.H.)	1	EA		
38-1	1515102110	ELBOW	3	EA		
38-1	1420010110	O-RING	1	EA		
38-2	1512370012	ADAPTOR, elbow (with filter)	1	EA		
38-2	1420010110	O-RING	1	EA		
38-3	1515102540	FITTING	2	EA		
38-4	1901758100	VALVE ASSY, pilot (L.H.)	1	EA		
39	1141110008	WASHER	4	EA		
40	1100050820	BOLT (10TM8 X 20 P/1.25)	4	EA		

TURNTABLE & CONTROL LEVER OPERATION LEVER & STAND (L.H.) (canopy) (126100564-)

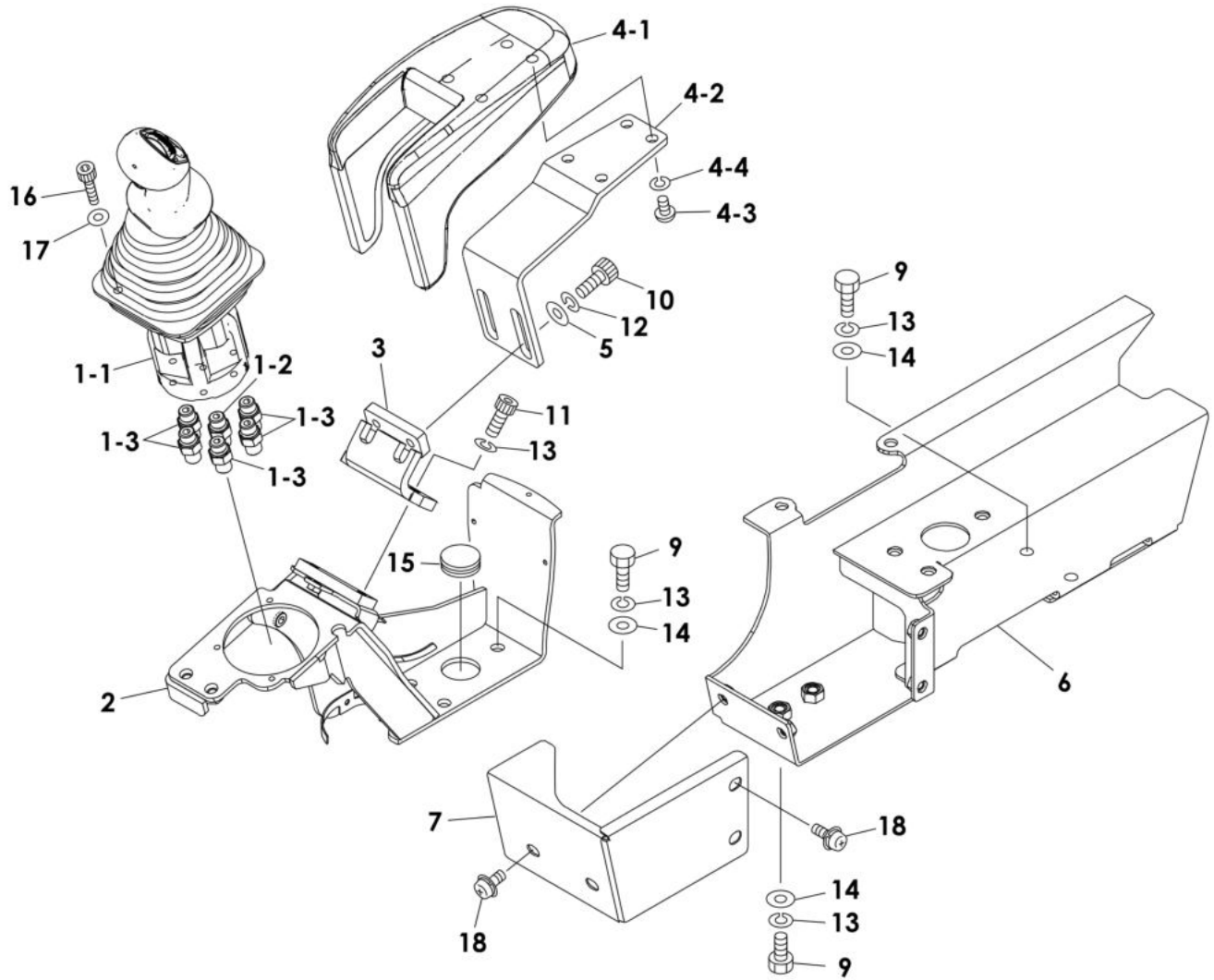


Item	Part No.	Name	Qty	Uom	Remarks	SERIAL NUMBER
-	PNNA	VALVE ASSY (L.H.)		EA		
1	0335100053	BRACKET ASSY (L.H.)	1	EA		126100564~126101301
1	0375100083	BRACKET ASSY (L.H.)	1	EA		126101302~
1-2	1333002015	BUSHING (20X23X15)	2	EA		
2	0375100021	BRACKET ASSY (L.H.)	1	EA		
2-2	1333002010	BUSHING	2	EA		
3	0335100027	PLATE	1	EA		
3-4	1333002015	BUSHING (20X23X15)	2	EA		
4	0375100072	PLATE	1	EA	A	126100564~126100642
4	0375100077	PLATE	1	EA	a	126100643~
5	*****	REST ASSY, ARM (LH)	1	EA		
5-1	0375100064	REST ASSY, arm (L.H.)	1	EA		
5-2	0375100069	PLATE	1	EA		
5-3	1120530812	SCREW, cap	4	EA		
5-4	1140020008	WASHER, spring	4	EA		
6	0335100031	LEVER	1	EA		
7	0375100025	PIN	1	EA		
8	0335120970	BOLT	1	EA		
9	1653900080	SPRING, gas	1	EA		
10	1650202300	CAP	1	EA		
11	1651101225	STOPPER	1	EA		
12	1700000033	SWITCH, safety	1	EA		
13	1141110006	WASHER	5	EA		
14	1141110010	WASHER, plain	7	EA		
15	1141110020	WASHER	1	EA		
16	0375100076	PLATE	1	EA	A	126100564~126100642
17	0003609003	WASHER (9/30 T/3.2)	2	EA		
18	1140020008	WASHER, spring	4	EA		
19	1140020010	WASHER, spring	9	EA		
20	1100051020	BOLT (10TM10 X 20 P/1.5)	5	EA		
21	1110090816	SCREW, cap	2	EA		
22	1110051020	BOLT, socket (10TM10 X 20 P/1.5)	4	EA	set parts; a	126100564~126100642, 126100643~
23	1130030005	NUT	1	EA		
24	1130050012	NUT (8TM12 P/1.75)	1	EA		
25	1132712010	NUT (M10 P/1.5)	1	EA		
26	1120800614	SCREW	2	EA		
27	1220000020	RING, retaining	1	EA		
28	1224000006	RING, retaining (E-RING 6MM)	1	EA		

This page intentionally left blank

Item	Part No.	Name	Qty	Uom	Remarks	SERIAL NUMBER
29	1314000812	BEARING	1	EA		
30	1654629005	TRIM	1	EA	sold by the meter	
31	1652515100	CUSHION, rubber	1	EA		
32	1214000006	PIN, snap	2	EA		
33	1110051030	SCREW, cap (10TM10 X 30 P/1.5)	2	EA		126100564~126100642
34	0003600025	WASHER	2	EA		
35	0093208300	WASHER	2	EA		
36	0555100018	PLATE	1	EA		
37	1110040625	BOLT, socket (10TM6 X 25 P/1.0)	3	EA		
38	*****	VALVE ASSY (LH)	1	EA		
38-1	1515102110	ELBOW	3	EA		
38-1	1420010110	O-RING	1	EA		
38-2	1512370012	ADAPTOR, elbow (with filter)	1	EA		
38-2	1420010110	O-RING	1	EA		
38-3	1515102540	FITTING	2	EA		
38-4	1901758100	VALVE ASSY, pilot (L.H.)	1	EA		
39	1141110008	WASHER	2	EA		
40	1100050820	BOLT (10TM8 X 20 P/1.25)	2	EA		
41	1652201010	MOUNT	4	EA		126101302~
42	1652231100	BAND	4	EA		126101302~
-	PNNA	SET "A" is interchangeable with SET "a"		EA		

TURNTABLE & CONTROL LEVER OPERATION LEVER & STAND (R.H.) (canopy) (126100003-126100563)

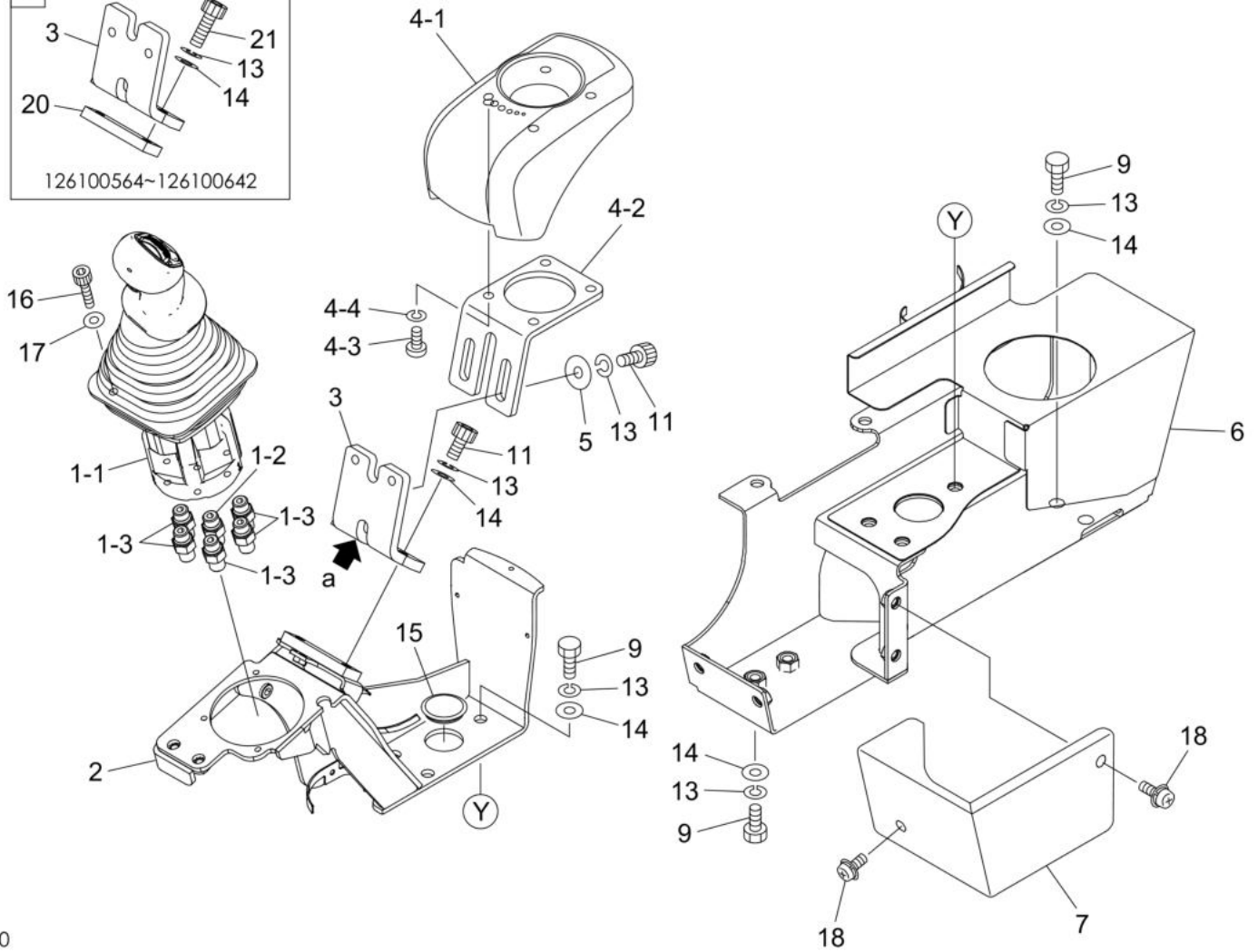
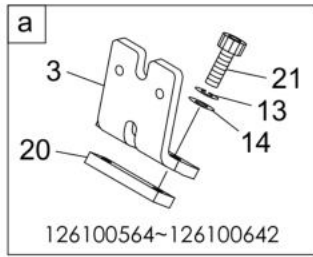


Q1B090

5=1/6

Item	Part No.	Name	Qty	Uom	Remarks	SERIAL NUMBER
Not Shown	PNNA	VALVE ASSY (R.H.)	1	EA		
1	*****	VALVE ASSY (RH)	1	EA		
1-1	1901758000	VALVE ASSY, pilot (R.H.)	1	EA		
1-2	1512370008	ADAPTOR (with filter)	1	EA		
1-2	1420010110	O-RING	1	EA		
1-3	1515600200	ADAPTOR	5	EA		
1-3	1420010110	O-RING	1	EA		
2	0375100008	BRACKET (R.H.)	1	EA		
3	0555100036	PLATE	1	EA		
4	0565128850	REST ASSY, arm (R.H.)	1	EA		
4-1	0565128840	REST, arm	1	EA		
4-2	0565127750	PLATE (R.H.)	1	EA		
4-3	1120530812	SCREW, cap	4	EA		
4-4	1140020008	WASHER, spring	4	EA		
5	0003608252	WASHER	2	EA		
6	0555100025	BRACKET	1	EA		
7	0555100028	BRACKET	1	EA		
9	1100051025	BOLT (10TM10 X 25 P/1.5)	7	EA		
10	1110050820	SCREW, cap (10TM8 X 20 P/1.25)	2	EA		
11	1110051025	SCREW, cap (10TM10 X 25 P/1.5)	2	EA		
12	1140020008	WASHER, spring	2	EA		
13	1140020010	WASHER, spring	9	EA		
14	1141110010	WASHER, plain	7	EA		
15	1652060031	BUSHING	1	EA		
16	1110040625	BOLT, socket (10TM6 X 25 P/1.0)	3	EA		
17	1141110006	WASHER	3	EA		
18	1150420816	SCREW, sems	4	EA		

TURNTABLE & CONTROL LEVER OPERATION LEVER & STAND (R.H.) (canopy) (126100564-)

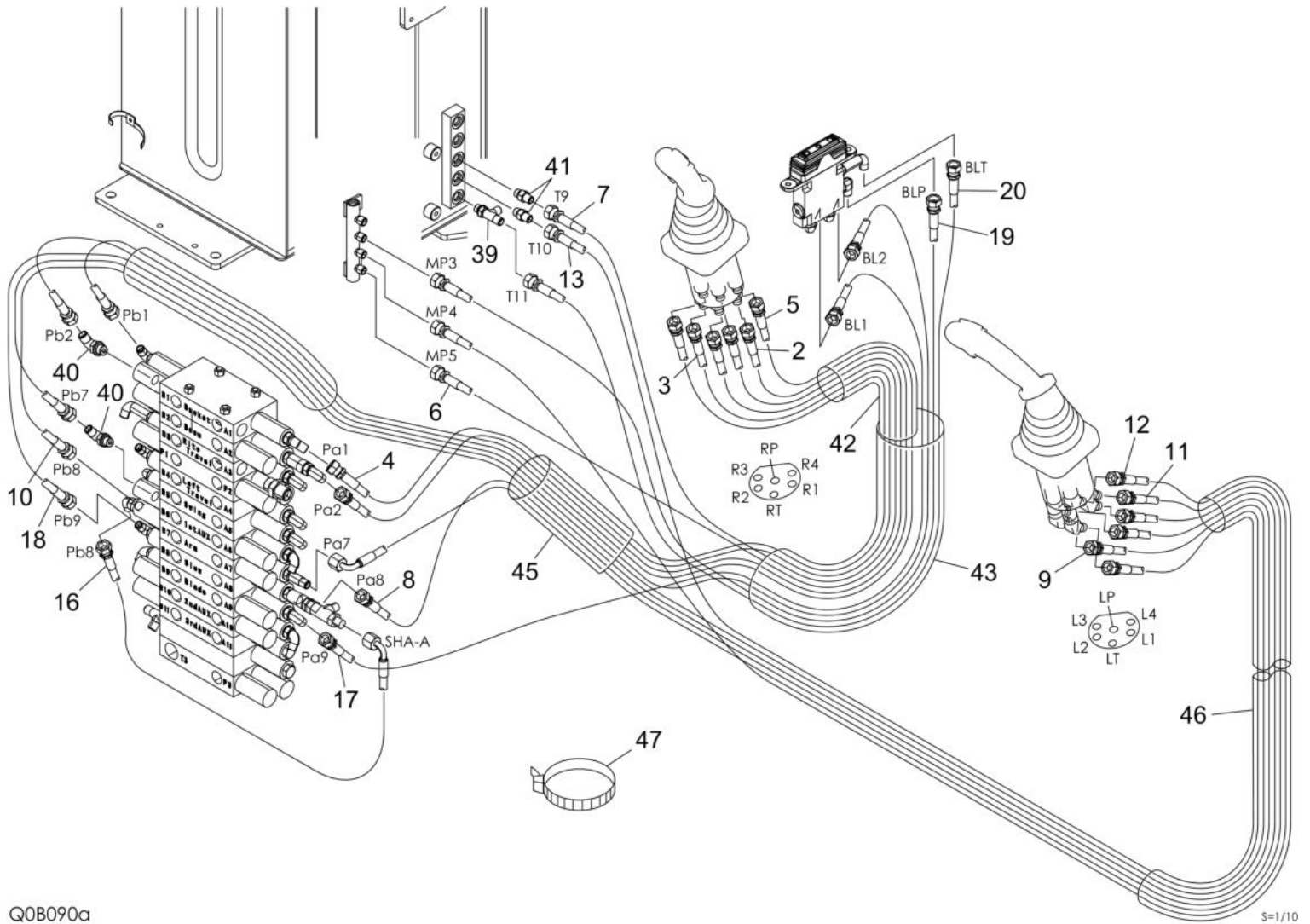


Q1B140

S=1/6

Item	Part No.	Name	Qty	Uom	Remarks	SERIAL NUMBER
-	PNNA	VALVE ASSY (R.H.)		EA		
1		VALVE ASSY (R.H.)	1	EA		
1-1	1901758000	VALVE ASSY, pilot (R.H.)	1	EA		
1-2	1512370008	ADAPTOR (with filter)	1	EA		
1-2	1420010110	O-RING	1	EA		
1-3	1515600200	ADAPTOR	5	EA		
1-3	1420010110	O-RING	1	EA		
2	0375100008	BRACKET (R.H.)	1	EA		
3	0375100072	PLATE	1	EA	A	126100564~126100642
3	0375100077	PLATE	1	EA	a	126100643~
4	*****	REST ASSY, arm (R.H.)		EA		
4-1	0375100071	REST, arm (R.H.)	1	EA		
4-2	0375100069	PLATE	1	EA		
4-3	1120530814	SCREW	2	EA		
4-4	1140020008	WASHER, spring	2	EA		
5	0003600025	WASHER	2	EA		
6	0375100045	BRACKET	1	EA		
7	0555100028	BRACKET	1	EA		
9	1100051025	BOLT (10TM10 X 25 P/1.5)	7	EA		
11	1110051020	BOLT, socket (10TM10 X 20 P/1.5)	4	EA	set parts, a	126100564~126100642, 126100643~
13	1140020010	WASHER, spring	11	EA		
14	1141110010	WASHER, plain	9	EA		
15	1652060031	BUSHING	1	EA		
16	1110040625	BOLT, socket (10TM6 X 25 P/1.0)	3	EA		
17	1141110006	WASHER	3	EA		
18	1150420816	SCREW, sems	2	EA		
20	0375100076	PLATE	1	EA	A	126100564~126100642
21	1110051035	SCREW, cap	2	EA		126100564~126100642
-	PNNA	SET "A" is interchangeable with SET "a"		EA		

TURNTABLE & CONTROL LEVER PIPING; OPERATION LEVEL 1

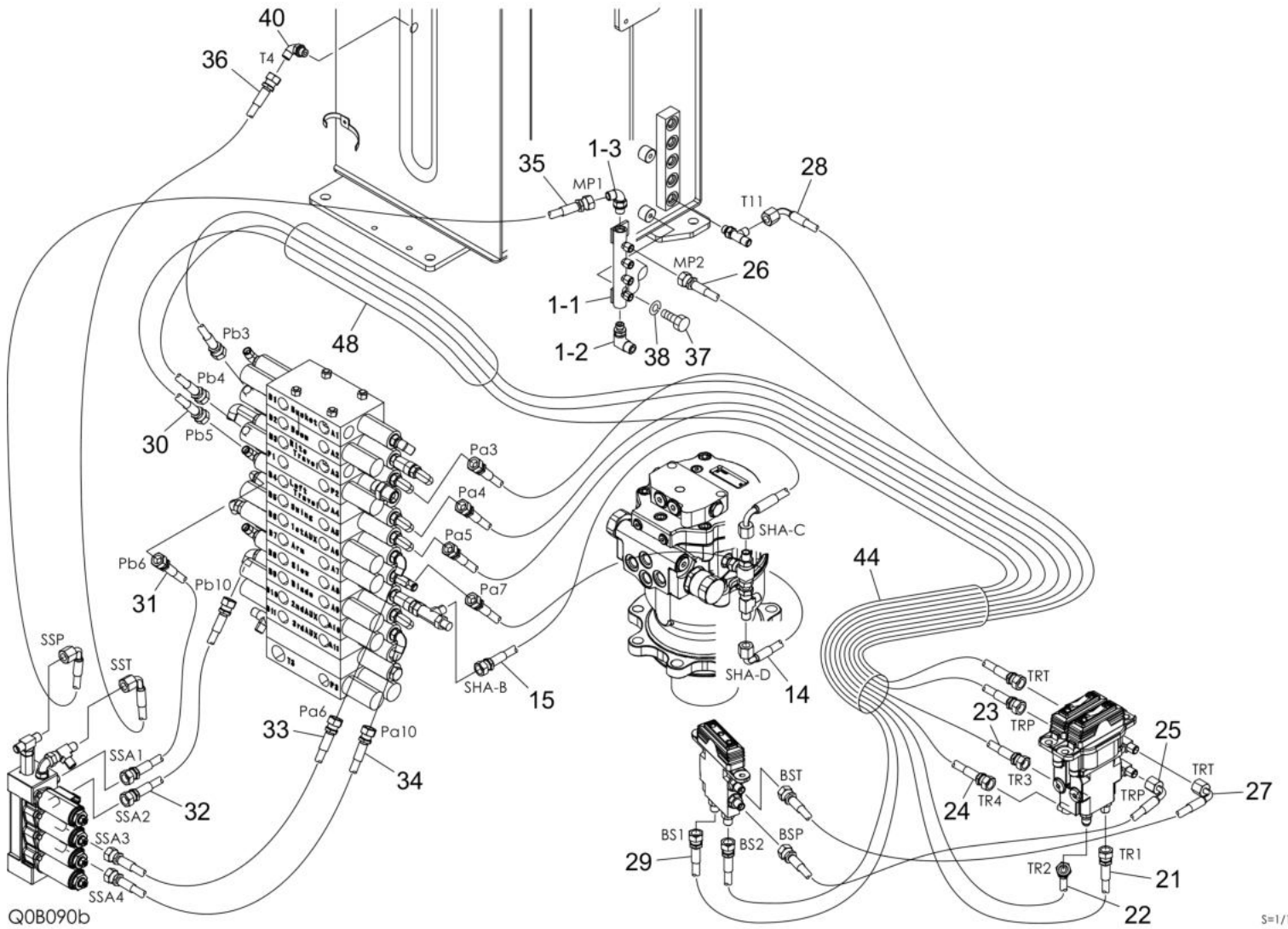


Q0B090a

S=1/10

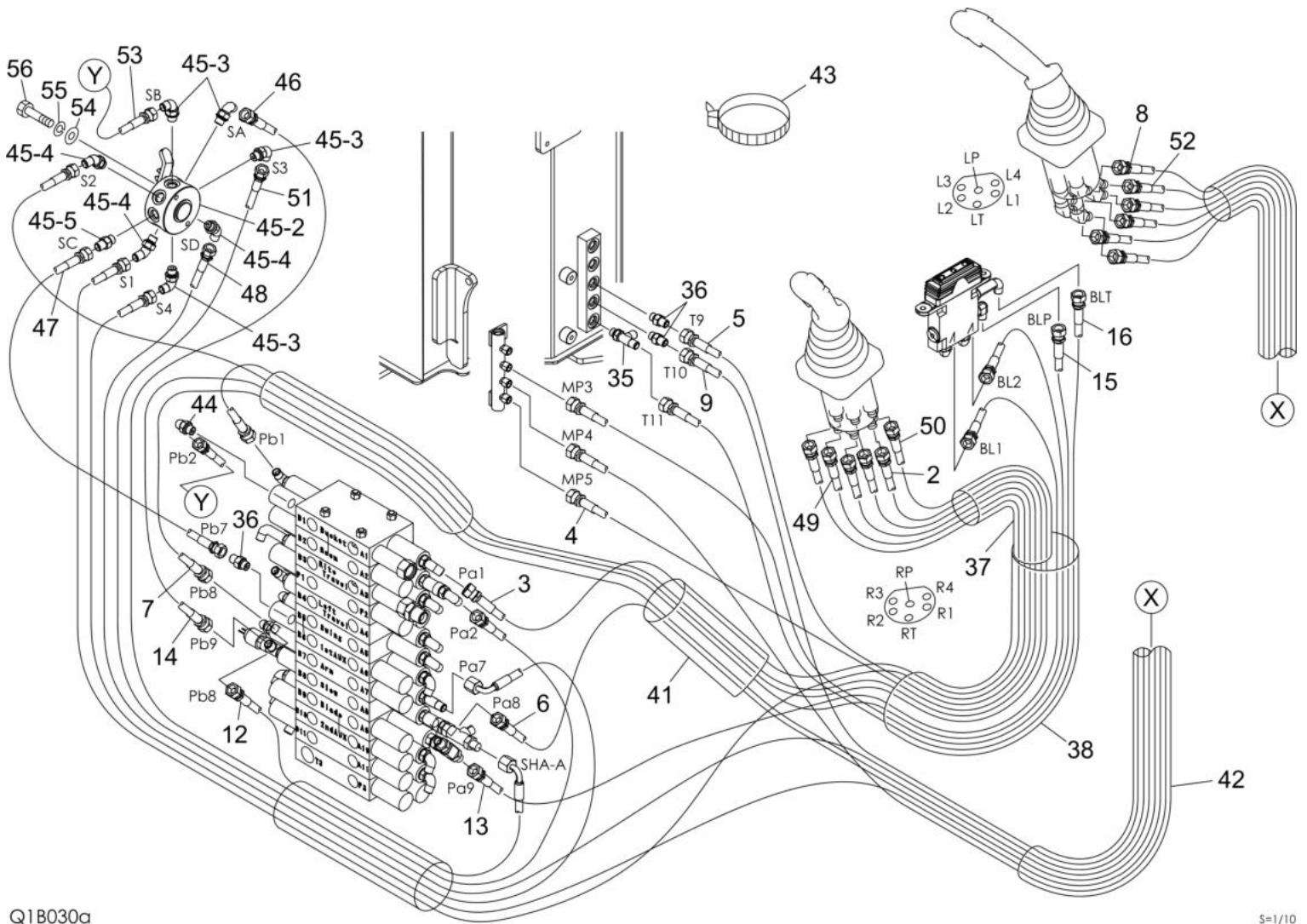
Item	Part No.	Name	Qty	Uom	Remarks	SERIAL NUMBER
-	PNNA	PIPING ASSY		EA		
2	0557102010	HOSE	1	EA	19348-22200	
3	0557102020	HOSE ASSY	1	EA	19348-22144	
4	0557102030	HOSE	1	EA	19348-22146	
5	0557102040	HOSE ASSY	1	EA	19348-22200	
6	0557102050	HOSE	1	EA	19348-22096	
7	0557102060	HOSE	1	EA	19348-22096	
8	0557102070	HOSE	1	EA	19348-22200	
9	0557102080	HOSE	1	EA	19348-22285	
10	0557102090	HOSE	1	EA	19348-22290	
11	0557102110	HOSE	1	EA	19348-52195	
12	0557102120	HOSE	1	EA	19348-22168	
13	0557102130	HOSE	1	EA	19348-22168	
16	0557102160	HOSE	1	EA	19348-52086	
17	0557102180	HOSE	1	EA	19348-22098	
18	0557102190	HOSE	1	EA	19348-22190	
19	0557102210	HOSE	1	EA	19348-22064	
20	0557102220	HOSE	1	EA	19348-22068	
39	1512370011	TEE	1	EA		
39	1420010110	O-RING	1	EA		
40	1515012040	ELBOW	3	EA		
40	1420010110	O-RING	1	EA		
41	1515600200	ADAPTOR	2	EA		
41	1420010110	O-RING	1	EA		
42	1531645000	PROTECTOR (SOLD BY THE METER)	1	EA	sold by the meter	
43	1531650030	PROTECTOR	1	EA	sold by the meter	
45	1531360024	PROTECTOR	1	EA	sold by the meter	
46	1531645000	PROTECTOR (SOLD BY THE METER)	1	EA	sold by the meter	
47	1652201007	BAND	11	EA		

TURNTABLE & CONTROL LEVER PIPING; OPERATION LEVEL 2



Item	Part No.	Name	Qty	Uom	Remarks	SERIAL NUMBER
1	*****	MANIFOLD ASSY	1	EA		
1-1	0557100003	MANIFOLD	1	EA		
1-2	1515010130	ELBOW	1	EA		
1-2	1420010110	O-RING	1	EA		
1-3	1515012040	ELBOW	1	EA		
14	0557102140	HOSE	1	EA	19348-52072	
15	0557102150	HOSE	1	EA	19348-52056	
21	0557102230	HOSE	1	EA	19348-22200	
22	0557102240	HOSE	1	EA	19348-22240	
23	0557102250	HOSE	1	EA	19348-22195	
24	0557102260	HOSE	1	EA	19348-22245	
25	0557102270	HOSE	1	EA	19348-52040	
26	0557102280	HOSE	1	EA	19348-22138	
27	0557102290	HOSE	1	EA	19348-52040	
28	0557102310	HOSE	1	EA	19348-52146	
29	0557102320	HOSE	1	EA	19348-22180	
30	0557102330	HOSE	1	EA	19348-22240	
31	0557102340	HOSE	1	EA	19348-22047	
32	0557102350	HOSE	1	EA	19348-22024	
33	0557102360	HOSE	1	EA	19348-22058	
34	0557102370	HOSE	1	EA	19348-22048	
35	0557102380	HOSE	1	EA	19348-52110	
36	0557102390	HOSE	1	EA	19348-52060	
37	1110090816	SCREW, cap	2	EA		
38	1140420008	WASHER, spring	2	EA		
40	1515012040	ELBOW	3	EA		
40	1420010110	O-RING	1	EA		
44	1531650043	PROTECTOR	1	EA	sold by the meter	
48	1531350040	PROTECTOR	1	EA	sold by the meter	

TURNTABLE & CONTROL LEVER PIPING; OPERATION LEVER (A-G pattern) (cab) 1



Q1B030a

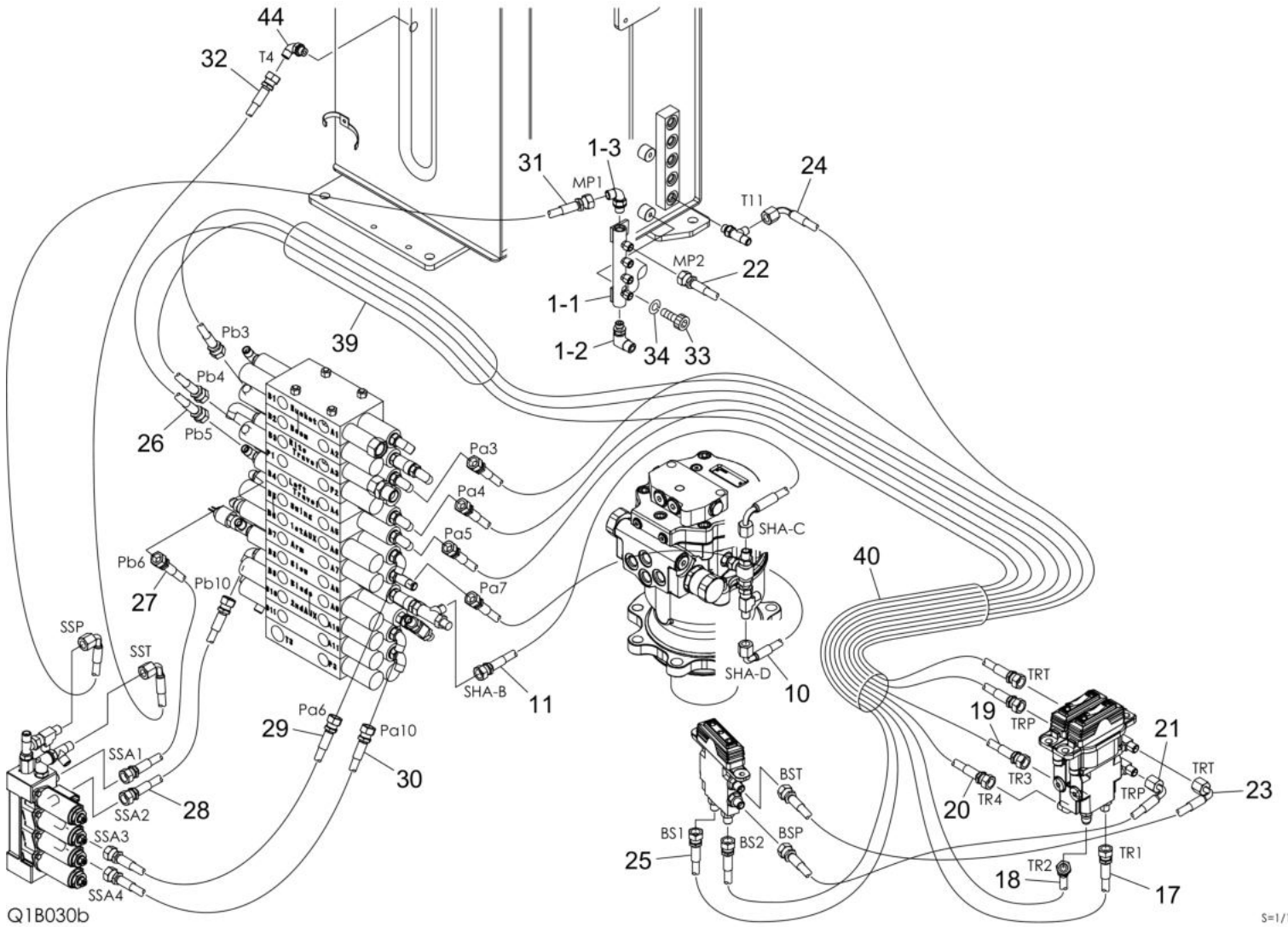
S=1/10

Item	Part No.	Name	Qty	Uom	Remarks	SERIAL NUMBER
-	PNNA	PIPING ASSY		EA		
1	*****	MANIFOLD ASSY	1	EA		
2	0557102010	HOSE	1	EA	19348-22200	
3	0557102030	HOSE	1	EA	19348-22146	
4	0557102050	HOSE	1	EA	19348-22096	
5	0557102060	HOSE	1	EA	19348-22096	
6	0557102070	HOSE	1	EA	19348-22195	
7	0557102090	HOSE	1	EA	19348-22280	
8	0557102120	HOSE	1	EA	19348-22160	
9	0557102130	HOSE	1	EA	19348-22160	
12	0557102160	HOSE	1	EA	19348-52082	
13	0557102180	HOSE	1	EA	19348-22094	
14	0557102190	HOSE	1	EA	19348-22190	
15	0557102210	HOSE	1	EA	19348-22064	
16	0557102220	HOSE	1	EA	19348-22068	
35	1512370011	TEE	1	EA		
35	1420010110	O-RING	1	EA		
36	1515600200	ADAPTOR	3	EA		
36	1420010110	O-RING	1	EA		
37	1531645000	PROTECTOR (SOLD BY THE METER)	1	EA	sold by the meter	
38	1531650030	PROTECTOR	1	EA	sold by the meter	
41	1531360024	PROTECTOR	1	EA	sold by the meter	
42	1531645000	PROTECTOR (SOLD BY THE METER)	1	EA	sold by the meter	
43	1652201007	BAND	11	EA		
44	1515012040	ELBOW	2	EA		
44	1420010110	O-RING	1	EA		
45	*****	VALVE, SELECTOR ASSY	1	EA		
45-2	1901730500	VALVE, selector	1	EA		
45-3	1515012040	ELBOW	4	EA		
45-3	1420010110	O-RING	1	EA		
45-4	151502110	ELBOW	3	EA		
45-4	1420010110	O-RING	1	EA		
45-5	1515600200	ADAPTOR	1	EA		
45-5	1420010110	O-RING	1	EA		
46	0557103060	HOSE	1	EA	19348-22140	
47	0557103080	HOSE	1	EA	19348-22020	
48	0557103090	HOSE	1	EA	19348-52114	
49	0557103020	HOSE	1	EA	19348-22195	

This page intentionally left blank

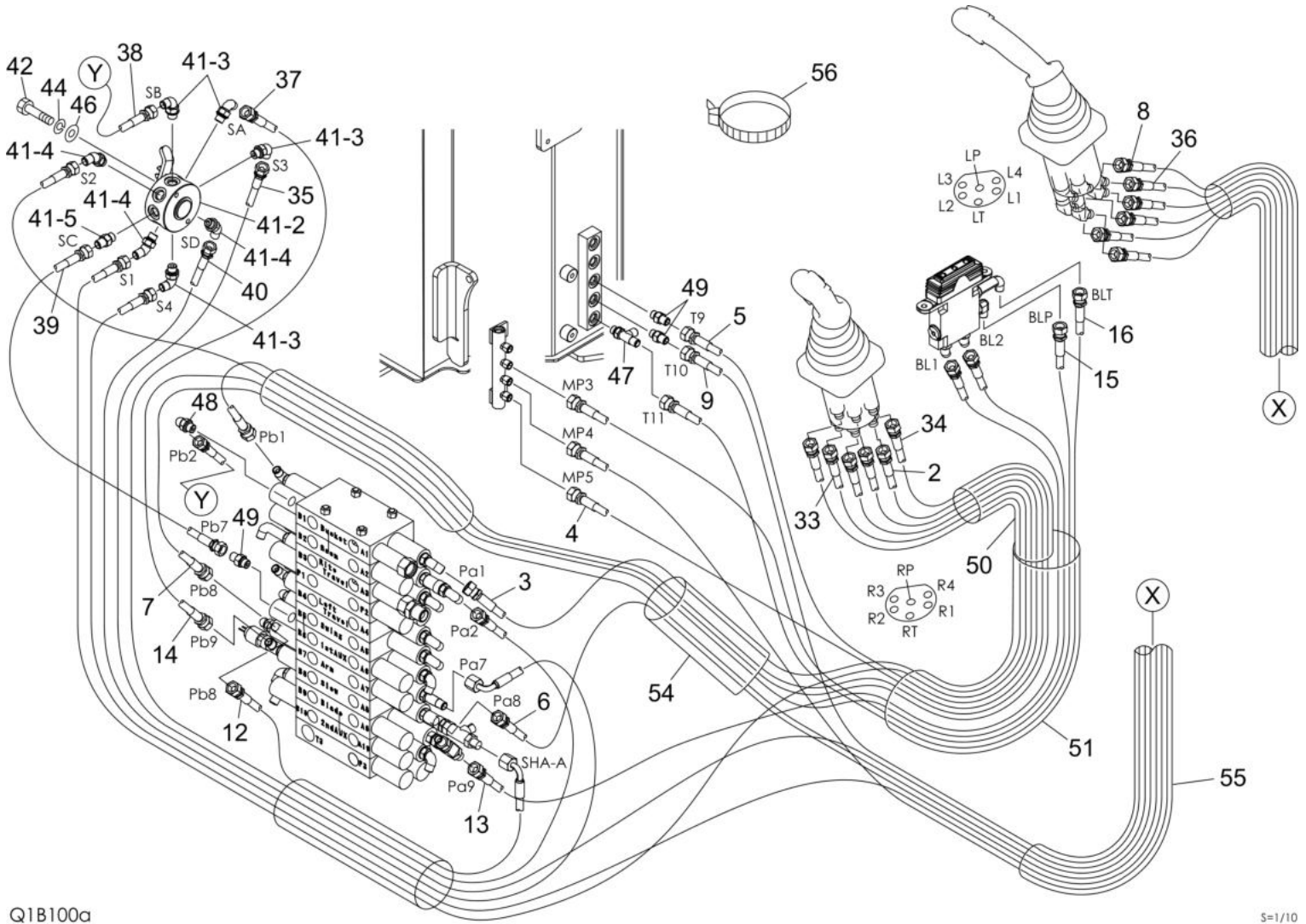
Item	Part No.	Name	Qty	Uom	Remarks	SERIAL NUMBER
50	0557103030	HOSE	1	EA	19348-22235	
51	0557103040	HOSE	1	EA	19348-22270	
52	0557103050	HOSE	1	EA	19348-22250	
53	0557103070	HOSE	1	EA	19348-22030	
54	1141110006	WASHER	2	EA		
55	1140020006	WASHER, spring	2	EA		
56	1100040650	BOLT	2	EA		

TURNTABLE & CONTROL LEVER PIPING; OPERATION LEVER (A-G pattern) (cab) 2



Item	Part No.	Name	Qty	Uom	Remarks	SERIAL NUMBER
-	PNNA	PIPING ASSY		EA		
1	*****	MANIFOLD ASSY	1	EA		
1-1	0557100003	MANIFOLD	1	EA		
1-2	1515010130	ELBOW	1	EA		
1-2	1420010110	O-RING	1	EA		
1-3	1515012040	ELBOW	1	EA		
10	0557102140	HOSE	1	EA	19348-52072	
11	0557102150	HOSE	1	EA	19348-52056	
17	0557102230	HOSE	1	EA	19348-22200	
18	0557102240	HOSE	1	EA	19348-22240	
19	0557102250	HOSE	1	EA	19348-22215	
20	0557102260	HOSE	1	EA	19348-22245	
21	0557102270	HOSE	1	EA	19348-52040	
22	0557102280	HOSE	1	EA	19348-22138	
23	0557102290	HOSE	1	EA	19348-52040	
24	0557102310	HOSE	1	EA	19348-52146	
25	0557102320	HOSE	1	EA	19348-22180	
26	0557102330	HOSE	1	EA	19348-22240	
27	0557102340	HOSE	1	EA	19348-22050	
28	0557102350	HOSE	1	EA	19348-22024	
29	0557102360	HOSE	1	EA	19348-22058	
30	0557102370	HOSE	1	EA	19348-22048	
31	0557102380	HOSE	1	EA	19348-52110	
32	0557102390	HOSE	1	EA	19348-52060	
33	1110090816	SCREW, cap	2	EA		
34	1140420008	WASHER, spring	2	EA		
39	1531350040	PROTECTOR	1	EA	sold by the meter	
40	1531650043	PROTECTOR	1	EA	sold by the meter	
44	1515012040	ELBOW	2	EA		
44	1420010110	O-RING	1	EA		

TURNTABLE & CONTROL LEVER PIPING; OPERATION LEVER (A-G pattern) (canopy) 1



Q1B100a

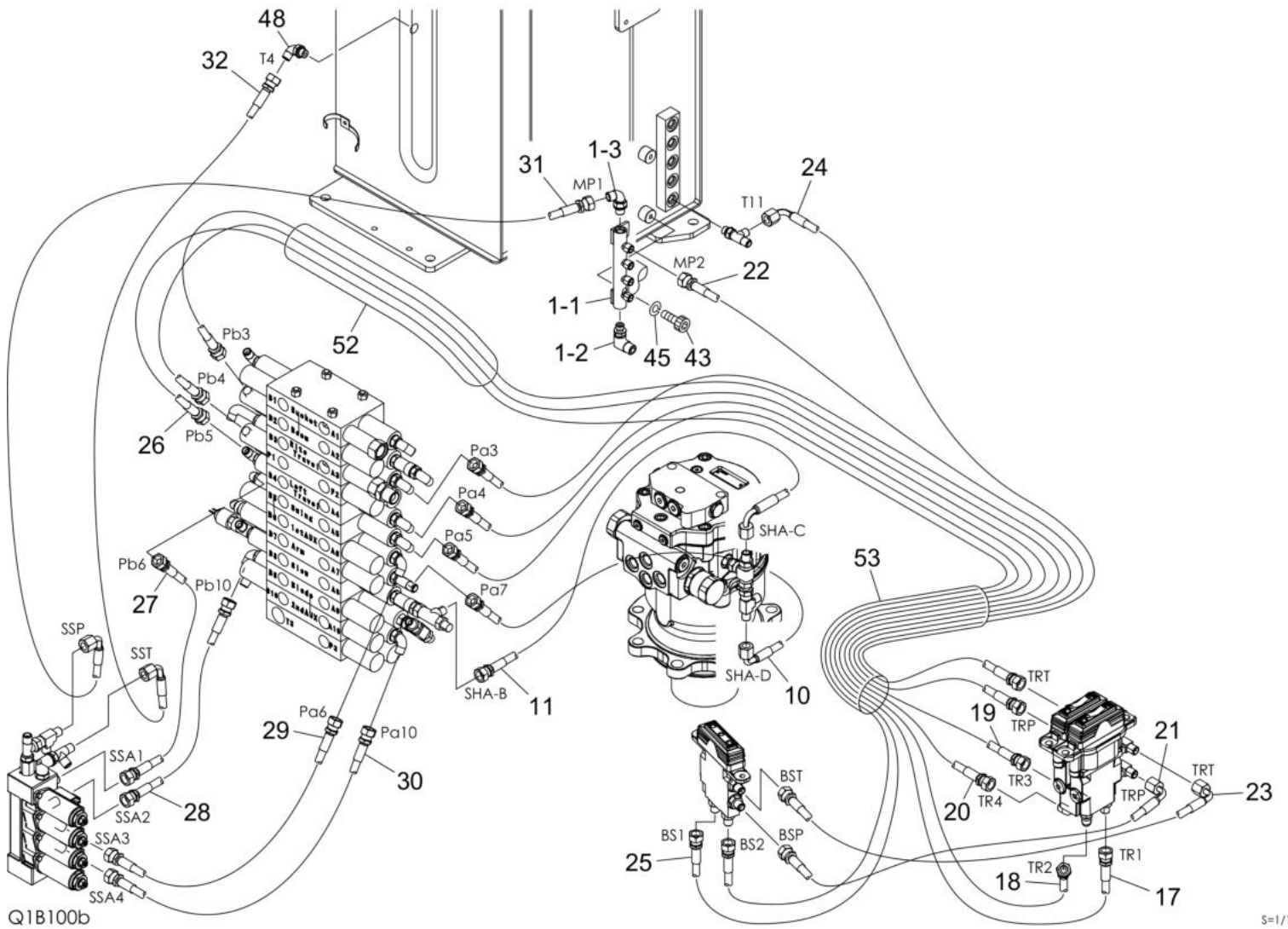
S=1/10

Item	Part No.	Name	Qty	Uom	Remarks	SERIAL NUMBER
-	PNNA	PIPING ASSY		EA		
1	*****	MANIFOLD ASSY	1	EA		
2	0557102010	HOSE	1	EA	19348-22200	
3	0557102030	HOSE	1	EA	19348-22146	
4	0557102050	HOSE	1	EA	19348-22096	
5	0557102060	HOSE	1	EA	19348-22096	
6	0557100011	HOSE ASSY	1	EA	19348-22207	
7	0557100013	HOSE ASSY	1	EA	19348-22296	
8	0557100015	HOSE ASSY	1	EA	19348-22175	
9	0557100016	HOSE ASSY	1	EA	19348-22175	
12	0557102160	HOSE	1	EA	19348-52086	
13	0557102180	HOSE	1	EA	19348-22098	
14	0557102190	HOSE	1	EA	19348-22190	
15	0557102210	HOSE	1	EA	19348-22064	
16	0557102220	HOSE	1	EA	19348-22068	
33	0557103020	HOSE	1	EA	19348-22195	
34	0557103030	HOSE	1	EA	19348-22235	
35	0557100012	HOSE ASSY	1	EA	19348-22277	
36	0557100014	HOSE ASSY	1	EA	19348-22256	
37	0557103060	HOSE	1	EA	19348-22140	
38	0557103070	HOSE	1	EA	19348-22030	
39	0557103080	HOSE	1	EA	19348-22020	
40	0557103090	HOSE	1	EA	19348-52114	
41	*****	VALVE, SELECTOR ASSY	1	EA		
41-2	1901730500	VALVE, selector	1	EA		
41-3	1515012040	ELBOW	4	EA		
41-3	1420010110	O-RING	1	EA		
41-4	1515012110	ELBOW	3	EA		
41-4	1420010110	O-RING	1	EA		
41-5	1515600200	ADAPTOR	1	EA		
41-5	1420010110	O-RING	1	EA		
42	1100040650	BOLT	2	EA		
44	1140020006	WASHER, spring	2	EA		
46	1141110006	WASHER	2	EA		
47	1512370011	TEE	1	EA		
47	1420010110	O-RING	1	EA		
48	1515012040	ELBOW	2	EA		
48	1420010110	O-RING	1	EA		

This page intentionally left blank

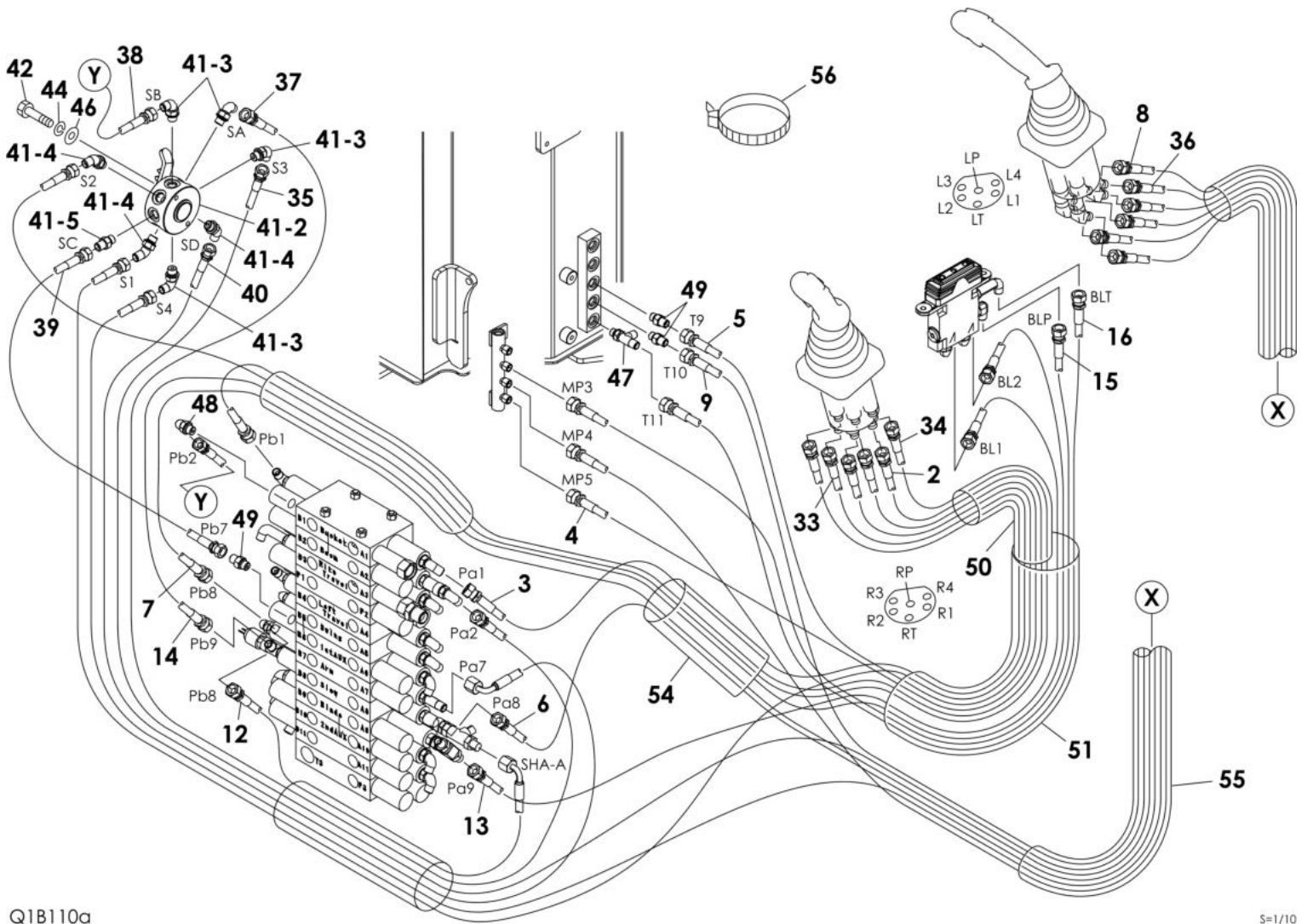
Item	Part No.	Name	Qty	Uom	Remarks	SERIAL NUMBER
49	1515600200	ADAPTOR	3	EA		
49	1420010110	O-RING	1	EA		
50	1531645000	PROTECTOR (SOLD BY THE METER)	1	EA	sold by the meter	
51	1531650030	PROTECTOR	1	EA	sold by the meter	
54	1531360024	PROTECTOR	1	EA	sold by the meter	
55	1531645075	PROTECTOR	1	EA	sold by the meter	
56	1652201007	BAND	11	EA		

TURNTABLE & CONTROL LEVER PIPING; OPERATION LEVER (A-G pattern) (canopy) 2



Item	Part No.	Name	Qty	Uom	Remarks	SERIAL NUMBER
-	PNNA	PIPING ASSY		EA		
1	*****	MANIFOLD ASSY	1	EA		
1-1	0557100003	MANIFOLD	1	EA		
1-2	1515010130	ELBOW	1	EA		
1-2	1420010110	O-RING	1	EA		
1-3	1515012040	ELBOW	1	EA		
4	0557102050	HOSE	1	EA	19348-22096	
8	0557100015	HOSE ASSY	1	EA	19348-22175	
10	0557102140	HOSE	1	EA	19348-52072	
11	0557102150	HOSE	1	EA	19348-52056	
17	0557102230	HOSE	1	EA	19348-22200	
18	0557102240	HOSE	1	EA	19348-22240	
19	0557102250	HOSE	1	EA	19348-22195	
20	0557102260	HOSE	1	EA	19348-22245	
21	0557102270	HOSE	1	EA	19348-52040	
22	0557102280	HOSE	1	EA	19348-22138	
23	0557102290	HOSE	1	EA	19348-52040	
24	0557102310	HOSE	1	EA	19348-52146	
25	0557102320	HOSE	1	EA	19348-22180	
26	0557102330	HOSE	1	EA	19348-22240	
27	0557102340	HOSE	1	EA	19348-22047	
28	0557102350	HOSE	1	EA	19348-22024	
29	0557102360	HOSE	1	EA	19348-22058	
30	0557102370	HOSE	1	EA	19348-22048	
31	0557102380	HOSE	1	EA	19348-52110	
32	0557102390	HOSE	1	EA	19348-52060	
43	1110090816	SCREW, cap	2	EA		
45	1140420008	WASHER, spring	2	EA		
48	1515012040	ELBOW	2	EA		
48	1420010110	O-RING	1	EA		
52	1531350040	PROTECTOR	1	EA	sold by the meter	
53	1531650043	PROTECTOR	1	EA	sold by the meter	

TURNTABLE & CONTROL LEVER PIPING; OPERATION LEVER (A-G pattern) (without shut-off valve) 1



Q1B110a

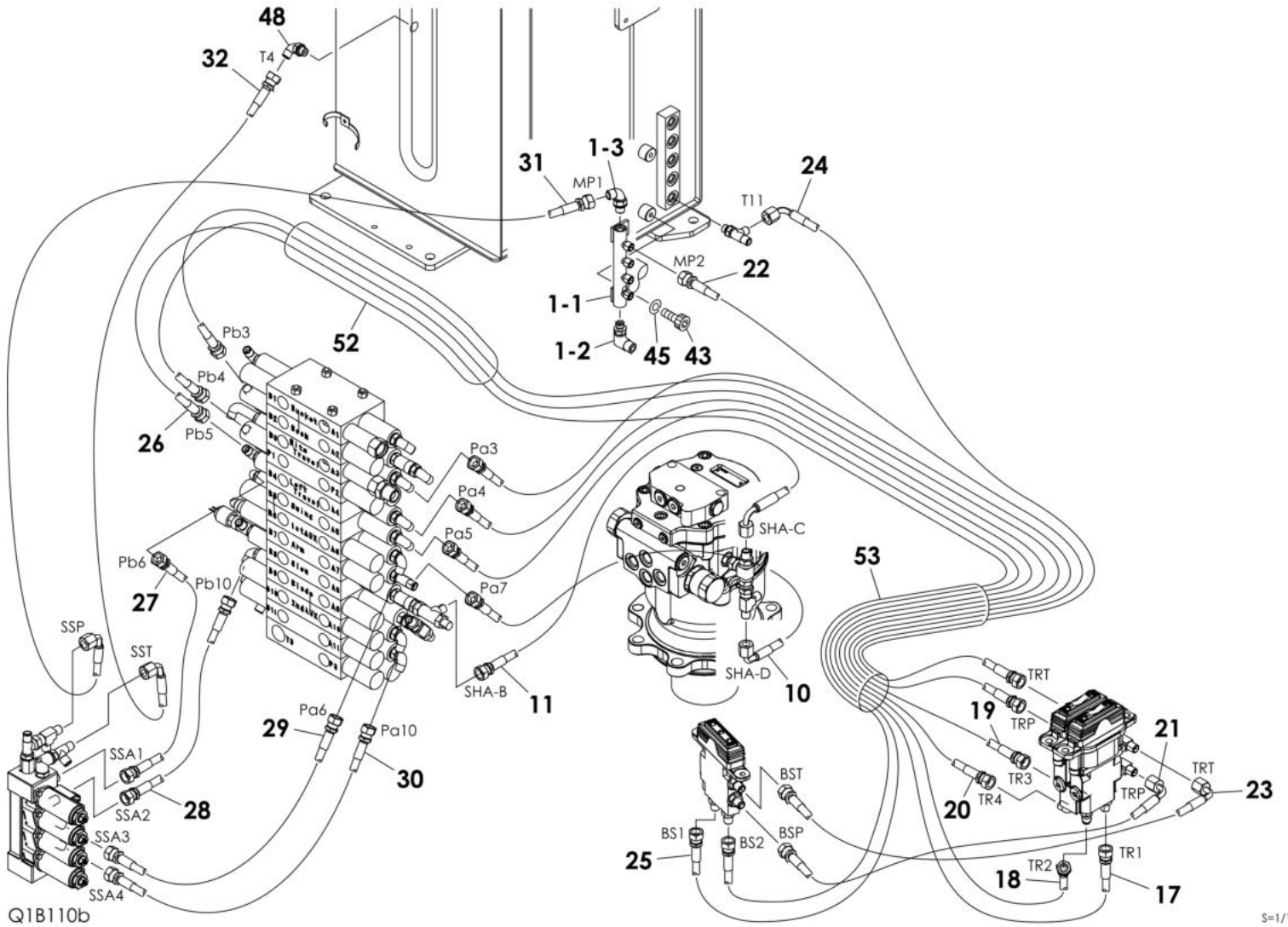
S=1/10

Item	Part No.	Name	Qty	Uom	Remarks	SERIAL NUMBER
Not Shown	PNNA	PIPING ASSY		EA		
1	*****	MANIFOLD ASSY	1	EA		
2	0557102010	HOSE	1	EA	19348-22200	
3	0557102030	HOSE	1	EA	19348-22146	
4	0557102050	HOSE	1	EA	19348-22096	
5	0557102060	HOSE	1	EA	19348-22096	
6	0557102070	HOSE	1	EA	19348-22200	
7	0557102090	HOSE	1	EA	19348-22290	
8	0557102120	HOSE	1	EA	19348-22168	
9	0557102130	HOSE	1	EA	19348-22168	
12	0557102160	HOSE	1	EA	19348-52086	
13	0557102180	HOSE	1	EA	19348-22098	
14	0557102190	HOSE	1	EA	19348-22190	
15	0557102210	HOSE	1	EA	19348-22064	
16	0557102220	HOSE	1	EA	19348-22068	
33	0557103020	HOSE	1	EA	19348-22195	
34	0557103030	HOSE	1	EA	19348-22235	
35	0557103040	HOSE	1	EA	19348-22270	
36	0557103050	HOSE	1	EA	19348-22250	
37	0557103060	HOSE	1	EA	19348-22140	
38	0557103070	HOSE	1	EA	19348-22030	
39	0557103080	HOSE	1	EA	19348-22020	
40	0557103090	HOSE	1	EA	19348-52114	
41	*****	VALVE, SELECTOR ASSY	1	EA		
41-2	1901730500	VALVE, selector	1	EA		
41-3	1515012040	ELBOW	4	EA		
41-3	1420010110	O-RING	1	EA		
41-4	1515012110	ELBOW	3	EA		
41-4	1420010110	O-RING	1	EA		
42	1100040650	BOLT	2	EA		
44	1140020006	WASHER, spring	2	EA		
46	1141110006	WASHER	2	EA		
47	1512370011	TEE	1	EA		
47	1420010110	O-RING	1	EA		
48	1515012040	ELBOW	2	EA		
48	1420010110	O-RING	1	EA		
49	1515600200	ADAPTOR	3	EA		
49	1420010110	O-RING	1	EA		

This page intentionally left blank

Item	Part No.	Name	Qty	Uom	Remarks	SERIAL NUMBER
50	1531645000	PROTECTOR (SOLD BY THE METER)	1	EA	sold by the meter	
51	1531650030	PROTECTOR	1	EA	sold by the meter	
54	1531360000	PROTECTOR (SOLD BY THE METER)	1	EA	sold by the meter, SOLD BY THE METER	
55	1531645000	PROTECTOR (SOLD BY THE METER)	1	EA	sold by the meter	
56	1652201007	BAND	11	EA		

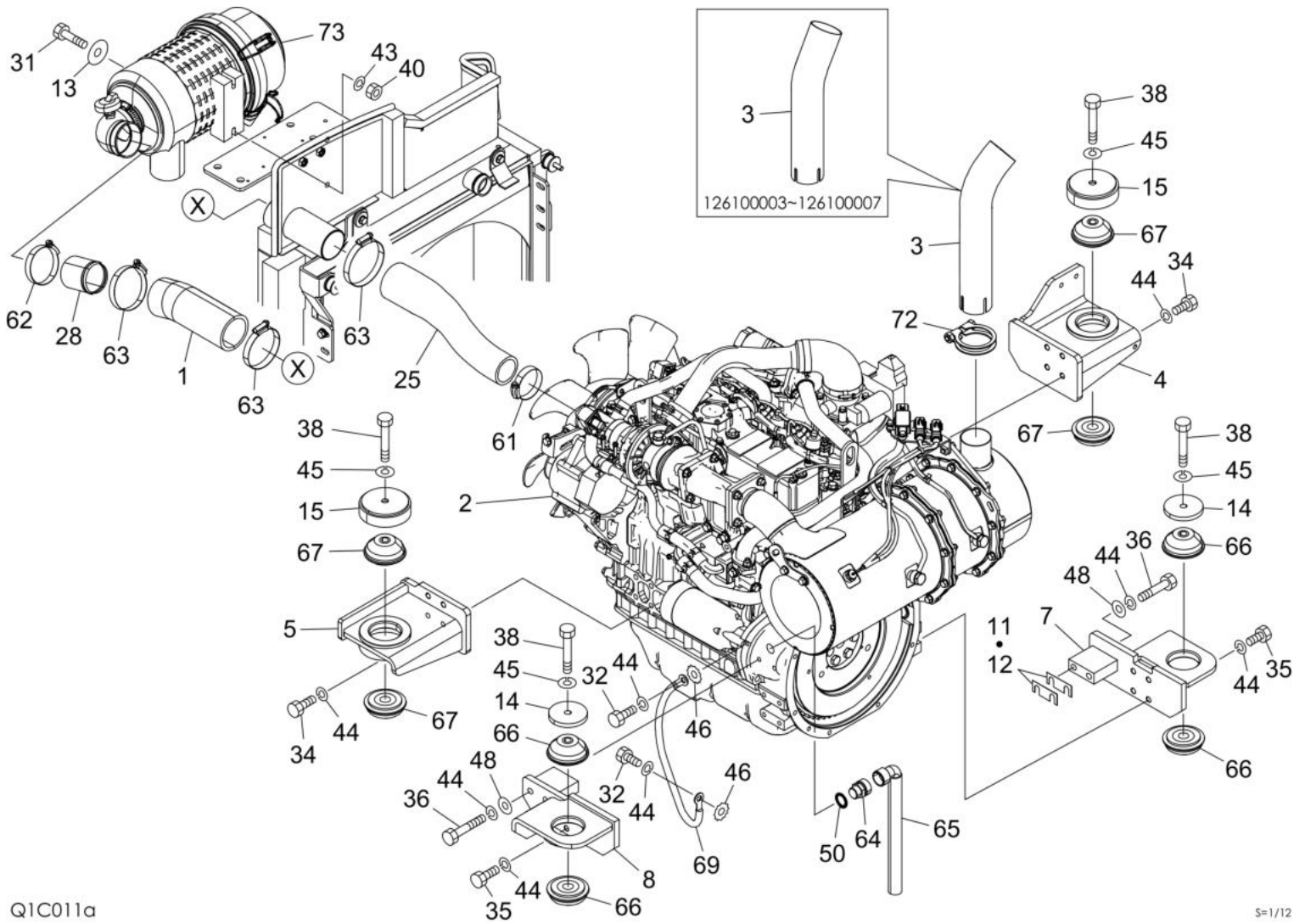
TURNTABLE & CONTROL LEVER PIPING; OPERATION LEVER (A-G pattern) (without shut-off valve) 2



Q1B110b

S=1/10

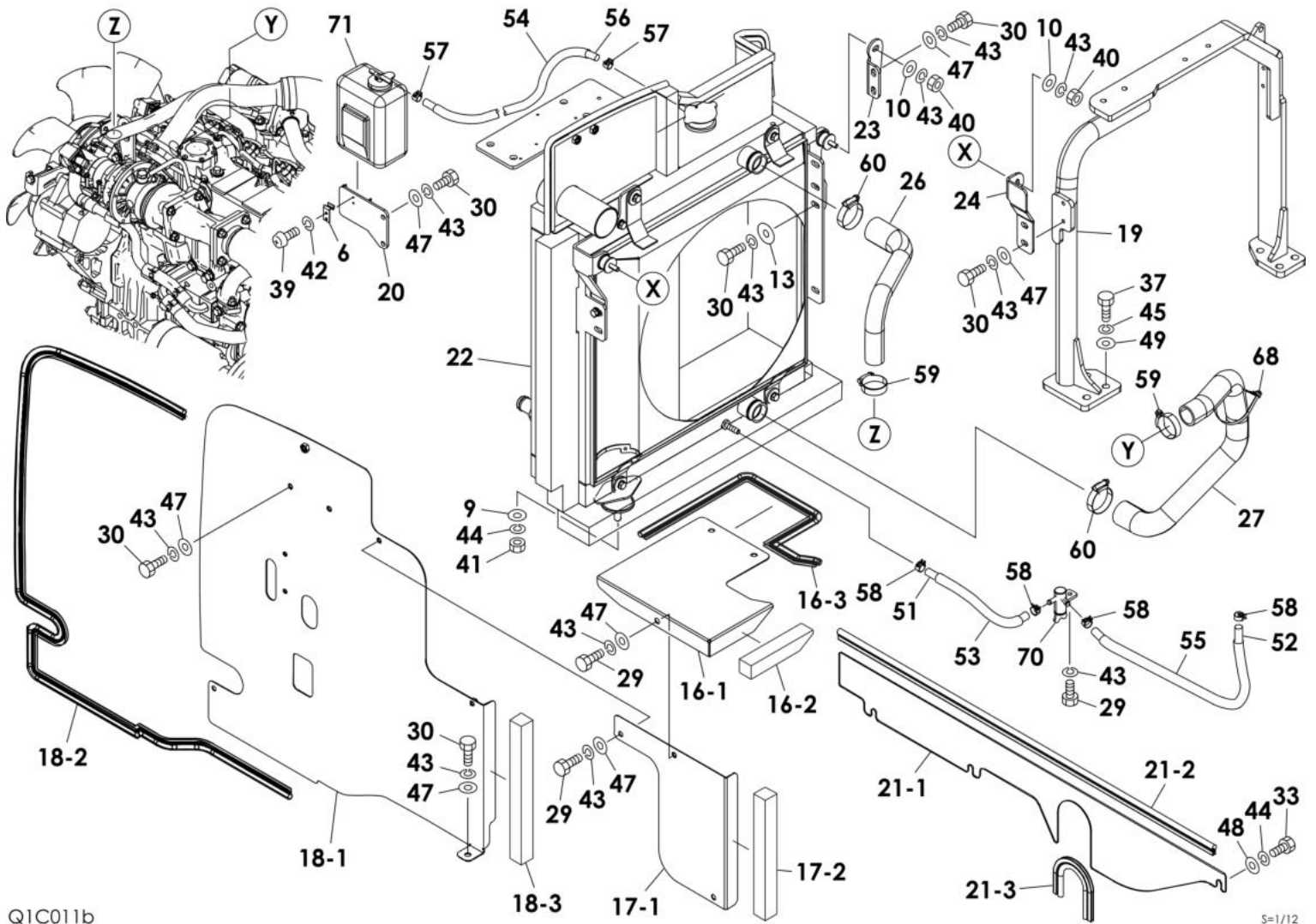
Item	Part No.	Name	Qty	Uom	Remarks	SERIAL NUMBER
1	*****	MANIFOLD ASSY	1	EA		
1-1	0557100003	MANIFOLD	1	EA		
1-2	1515010130	ELBOW	1	EA		
1-2	1420010110	O-RING	1	EA		
1-3	1515012040	ELBOW	1	EA		
10	0557102140	HOSE	1	EA	19348-52072	
11	0557102150	HOSE	1	EA	19348-52056	
17	0557102230	HOSE	1	EA	19348-22200	
18	0557102240	HOSE	1	EA	19348-22240	
19	0557102250	HOSE	1	EA	19348-22195	
20	0557102260	HOSE	1	EA	19348-22245	
21	0557102270	HOSE	1	EA	19348-52040	
22	0557102280	HOSE	1	EA	19348-22138	
23	0557102290	HOSE	1	EA	19348-52040	
24	0557102310	HOSE	1	EA	19348-52146	
25	0557102320	HOSE	1	EA	19348-22180	
26	0557102330	HOSE	1	EA	19348-22240	
27	0557102340	HOSE	1	EA	19348-22047	
28	0557102350	HOSE	1	EA	19348-22024	
29	0557102360	HOSE	1	EA	19348-22058	
30	0557102370	HOSE	1	EA	19348-22048	
31	0557102380	HOSE	1	EA	19348-52110	
32	0557102390	HOSE	1	EA	19348-52060	
43	1110090816	SCREW, cap	2	EA		
45	1140420008	WASHER, spring	2	EA		
48	1515012040	ELBOW	2	EA		
48	1420010110	O-RING	1	EA		
52	1531350000	HOSE (SOLD BY THE METER)	1	EA	sold by the meter	
53	1531650043	PROTECTOR	1	EA	sold by the meter	



Item	Part No.	Name	Qty	Uom	Remarks	SERIAL NUMBER
-	PNNA	ENGINE ASSY		EA		
1	0554002003	HOSE	1	EA		
2	1910385001	ENGINE CANOPY (4TNV86CT-PTB1) (TB260)	1	EA	4TNV86CT-PTB	
3	0554003005	PIPE	1	EA	A	126100003~126100007
3	0554000196	PIPE, exhaust	1	EA	a	126100008~
4	0554002010	FOOT, engine (F.R.)	1	EA		
5	0554002020	FOOT, engine (F.L)	1	EA		
7	0554000155	FOOT, engine (R.R)	1	EA		
8	0554000157	FOOT, engine (R.L)	1	EA		
11	0003600240	SHIM	1	EA	t=0.2mm	
12	0003600241	SHIM	1	EA	t=0.5mm	
13	0003608252	WASHER	4	EA		
14	0394021028	WASHER	2	EA		
15	0394021050	STOPPER	2	EA		
25	0554000154	HOSE, radiator (UPPER)	1	EA		
28	0664001230	JOINT	1	EA		
31	1100050835	BOLT (10TM8 X 35 P/1.25)	2	EA		
32	1100051016	BOLT	2	EA		
34	1100051025	BOLT (10TM10 X 25 P/1.5)	8	EA		
35	1100051030	BOLT	8	EA		
36	1100051090	BOLT (10 X 90)	4	EA		
38	1101141200	BOLT	4	EA		
40	1130140008	NUT (polycarbonate type)	4	EA		
43	1140020008	WASHER, spring	22	EA		
44	1140020010	WASHER, spring	27	EA		
45	1140020012	WASHER, spring (12MM)	10	EA		
46	1140330010	WASHER, spring	2	EA		
48	1141110010	WASHER, plain	7	EA		
50	1432122302	WASHER	1	EA		
61	1533700061	CLIP	1	EA		
62	1533700071	CLAMP	1	EA		
63	1533700081	BAND	3	EA		
64	1554502250	PLUG	1	EA		
65	1554512601	TUBE (OIL DRAIN PLUG)	1	EA		
66	1651030015	RUBBER, cushion	4	EA		
67	1651030016	RUBBER, cushion	4	EA		
69	1702430400	CABLE, earth	1	EA		
72	Y129640-13590	CLAMP ASSY, silencer	1	EA	19101-97027	

This page intentionally left blank

Item	Part No.	Name	Qty	Uom	Remarks	SERIAL NUMBER
73	1911260900	CLEANER ASSY, air	1	EA	see page (3/3)	
*1	0558200094	HOOD ASSY, engine	1	EA	a	
-	PNNA	"A" is interchangeable with SET "a"		EA		



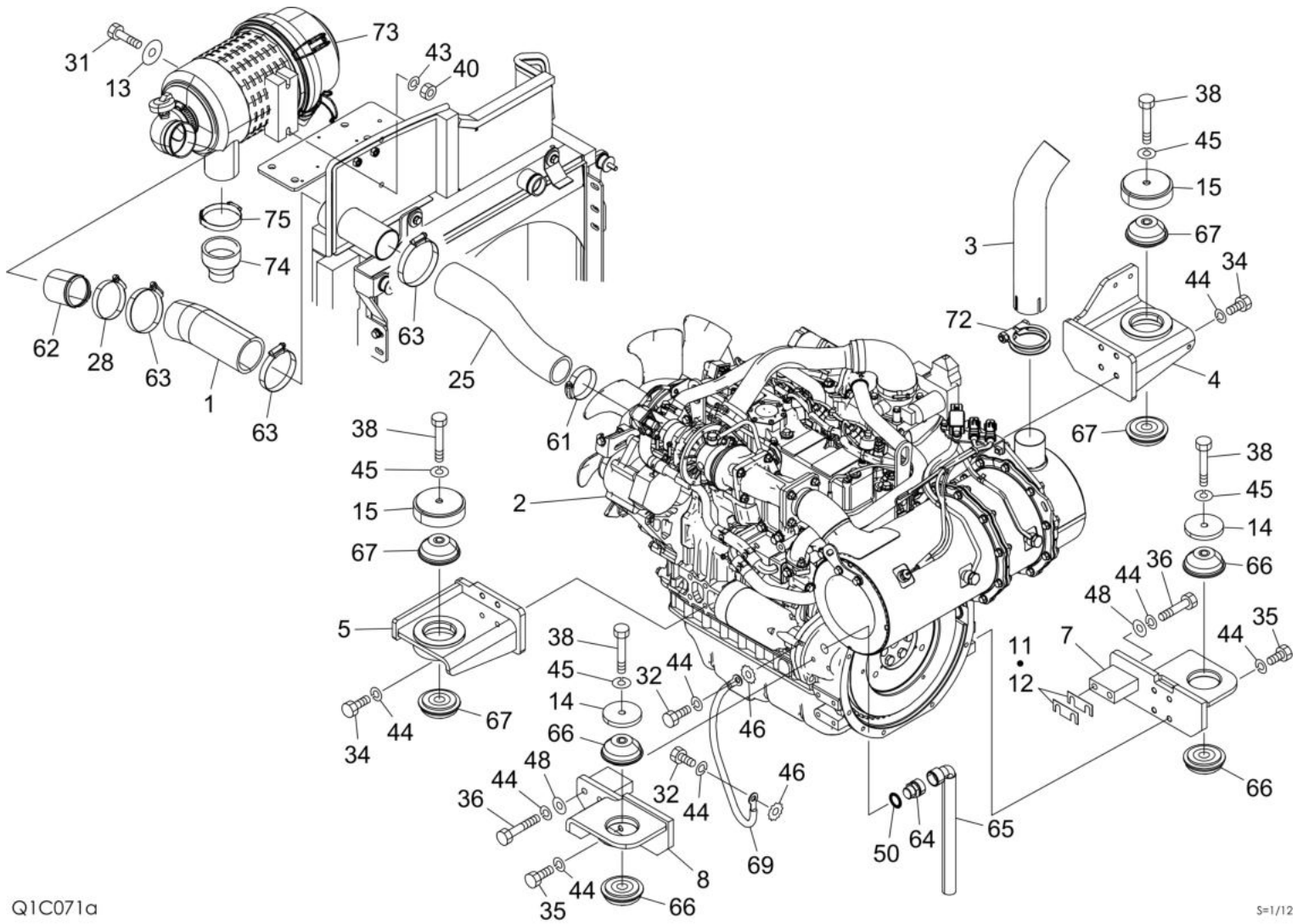
Q1C011b

S=1/12

Item	Part No.	Name	Qty	Uom	Remarks	SERIAL NUMBER
6	0564026340	PLATE	1	EA		
9	0003600020	WASHER	2	EA		
10	0003600079	WASHER	2	EA		
13	0003608252	WASHER	4	EA		
16	*****	null	1	EA		
16-1	0554000103	PLATE	1	EA		
16-2	1654341016	SPONGE	1	EA	sold by the meter	126100003~126100031
16-2	0554000223	SPONGE	1	EA		126100032~
16-3	1654606066	TRIM	1	EA	sold by the meter	
17	*****	null	1	EA		
17-1	0554000105	PLATE	1	EA		
17-2	1654341027	SPONGE (SOLD BY THE METER)	1	EA	sold by the meter	126100003~126100031
17-2	0554000224	SPONGE	1	EA		126100032~
18	*****	null	1	EA		
18-1	0554000108	PLATE	1	EA		126100003~126100007
18-1	0554000185	PLATE	1	EA		126100008~
18-2	1654606196	TRIM	1	EA	sold by the meter	
18-3	1654341031	SPONGE	1	EA	sold by the meter	126100003~126100031
18-3	0554000225	SPONGE	1	EA		126100032~
19	0554000118	BRACKET	1	EA		
20	0554000128	BRACKET	1	EA		
21	*****	null	1	EA		
21-1	0554000136	PLATE	1	EA		
21-2	1654606097	TRIM	1	EA	sold by the meter	
21-3	1654606000	SEAL (SOLD BY THE METER)	1	EA	sold by the meter	
22	*****	RADIATOR ASSY	1	EA	see page (2/3)	
23	0554000135	PLATE	1	EA		
24	0554000139	PLATE	1	EA		
26	0554002001	HOSE, radiator (UPPER)	1	EA		
27	0554000345	HOSE, radiator (LOWER)	1	EA		
29	1100090816	BOLT	6	EA		
30	1100050820	BOLT (10TM8 X 20 P/1.25)	12	EA		
33	1100051020	BOLT (10TM10 X 20 P/1.5)	3	EA		
37	1100051235	BOLT (10TM12 X 35 P/1.75)	6	EA		
39	1120530406	SCREW	2	EA		
40	1130140008	NUT (polycarbonate type)	4	EA		
41	1130240010	NUT	2	EA		
42	1140020004	WASHER, spring	2	EA		

This page intentionally left blank

Item	Part No.	Name	Qty	Uom	Remarks	SERIAL NUMBER
43	1140020008	WASHER, spring	22	EA		
44	1140020010	WASHER, spring	27	EA		
45	1140020012	WASHER, spring (12MM)	10	EA		
47	1141110008	WASHER	15	EA		
48	1141110010	WASHER, plain	7	EA		
49	1141110012	WASHER	6	EA		
51	1530808100	HOSE (SOLD BY THE METER)	1	EA	sold by the meter	
52	1530808100	HOSE (SOLD BY THE METER)	1	EA	sold by the meter	
53	1531115000	HOSE, vinyl (SOLD BY THE METER)	1	EA	sold by the meter	
54	1531115000	HOSE, vinyl (SOLD BY THE METER)	1	EA	sold by the meter	
55	1531115058	PROTECTOR (SOLD BY THE METER)	1	EA	sold by the meter	
56	1531407000	HOSE (SOLD BY THE METER)	1	EA	sold by the meter	
57	1533120010	BAND	2	EA		
58	1533120512	BAND	4	EA		
59	1533700045	BAND, hose	2	EA		
60	1533700051	BAND	2	EA		
68	1652231250	BAND (1st aux. Proportion)	1	EA		
70	Y129150-49100	VALVE, drain	1	EA	Y129150-49100	
71	Y121267-44510	TANK, sub	1	EA	Y129466-44510	



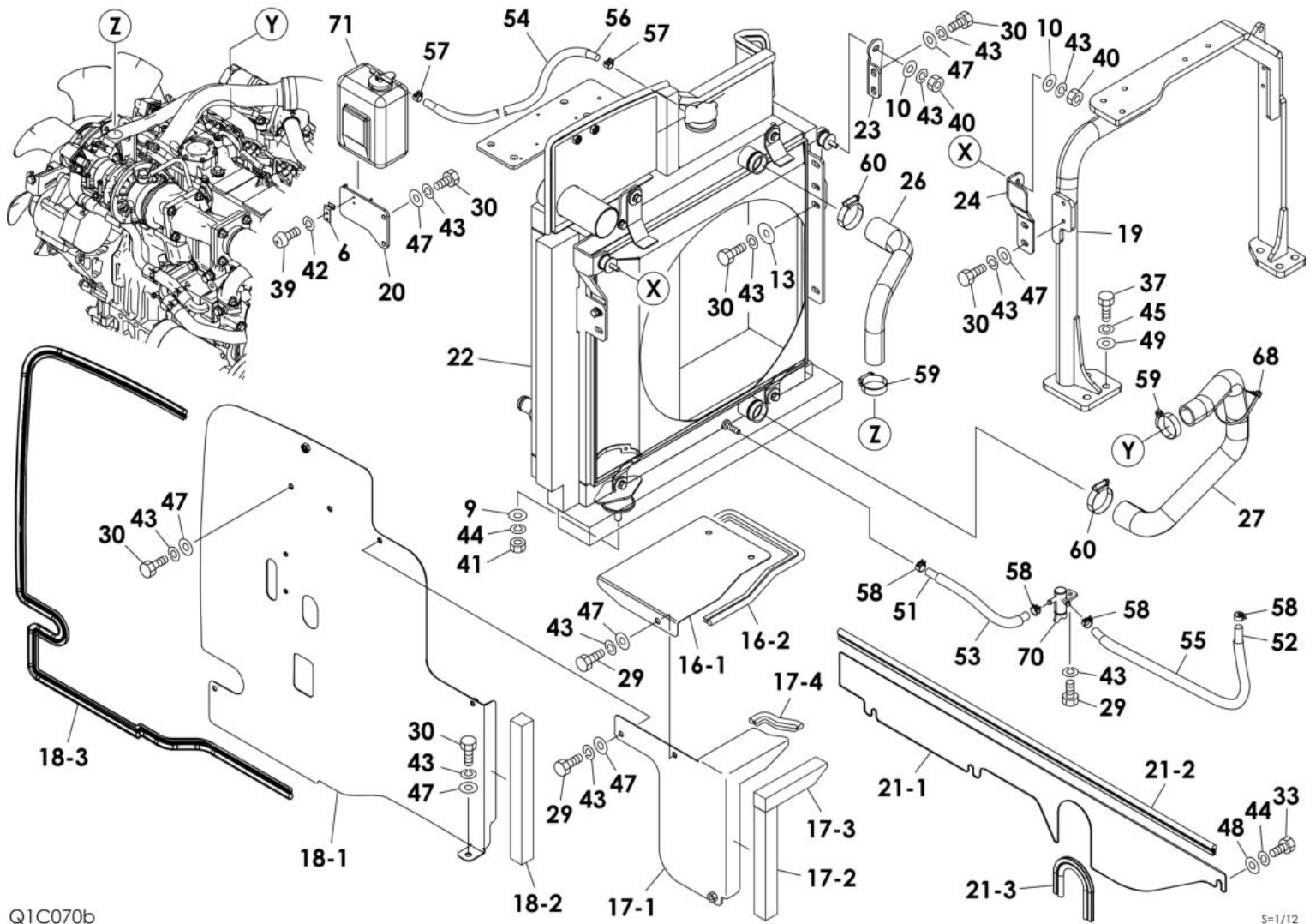
Q1C071a

S=1/12

Item	Part No.	Name	Qty	Uom	Remarks	SERIAL NUMBER
-	PNNA	ENGINE ASSY		EA		
1	0554002003	HOSE	1	EA		
2	1910385001	ENGINE CANOPY (4TNV86CT-PTB1) (TB260)	1	EA	4TNV86CT-PTB	
3	0554000196	PIPE, exhaust	1	EA		
4	0554002010	FOOT, engine (F.R.)	1	EA		
5	0554002020	FOOT, engine (F.L)	1	EA		
7	0554000155	FOOT, engine (R.R)	1	EA		
8	0554000157	FOOT, engine (R.L)	1	EA		
11	0003600240	SHIM	1	EA	t=0.2mm	
12	0003600241	SHIM	1	EA	t=0.5mm	
13	0003608252	WASHER	4	EA		
14	0394021028	WASHER	2	EA		
15	0394021050	STOPPER	2	EA		
25	0554000154	HOSE, radiator (UPPER)	1	EA		
28	0664001230	JOINT	1	EA		
31	1100050835	BOLT (10TM8 X 35 P/1.25)	2	EA		
32	1100051016	BOLT	2	EA		
34	1100051025	BOLT (10TM10 X 25 P/1.5)	8	EA		
35	1100051030	BOLT	8	EA		
36	1100051090	BOLT (10 X 90)	4	EA		
38	1101141200	BOLT	4	EA		
40	1130140008	NUT (polycarbonate type)	4	EA		
43	1140020008	WASHER, spring	22	EA		
44	1140020010	WASHER, spring	27	EA		
45	1140020012	WASHER, spring (12MM)	10	EA		
46	1140330010	WASHER, spring	2	EA		
48	1141110010	WASHER, plain	7	EA		
50	1432122302	WASHER	1	EA		
61	1533700061	CLIP	1	EA		
62	1533700071	CLAMP	1	EA		
63	1533700081	BAND	3	EA		
64	1554502250	PLUG	1	EA		
65	1554512601	TUBE (OIL DRAIN PLUG)	1	EA		
66	1651030015	RUBBER, cushion	4	EA		
67	1651030016	RUBBER, cushion	4	EA		
69	1702430400	CABLE, earth	1	EA		
72	Y129640-13590	CLAMP ASSY, silencer	1	EA	19101-97027	
73	1911260900	CLEANER ASSY, air	1	EA	see page (3/3)	

This page intentionally left blank

Item	Part No.	Name	Qty	Uom	Remarks	SERIAL NUMBER
74	0554000281	HOSE	1	EA		126101108~
75	1533701075	BAND	1	EA		126101108~



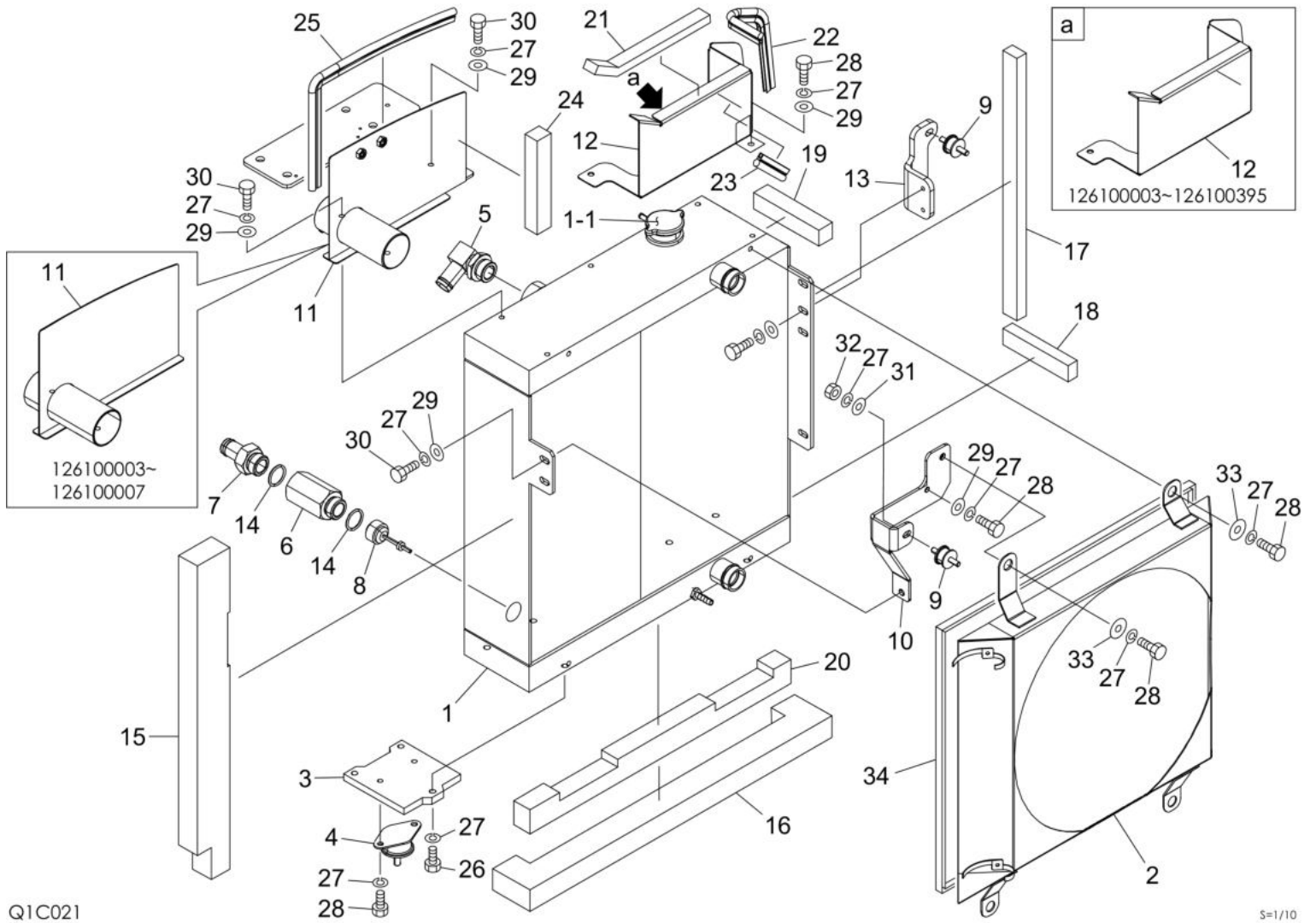
Q1C070b

S=1/12

Item	Part No.	Name	Qty	Uom	Remarks	SERIAL NUMBER
6	0564026340	PLATE	1	EA		
9	0003600020	WASHER	2	EA		
10	0003600079	WASHER	2	EA		
13	0003608252	WASHER	4	EA		
16	*****	PLATE ASSY	1	EA		
16-1	0554000251	PLATE	1	EA		
16-2	1654606000	SEAL (SOLD BY THE METER)	1	EA	sold by the meter	
17	*****	PLATE ASSY	1	EA		
17-1	0554000257	PLATE	1	EA		
17-2	0554000265	SPONGE	1	EA		
17-3	0554000266	SPONGE	1	EA		
18	*****	PLATE ASSY	1	EA		
18-1	0554000254	PLATE	1	EA		
18-2	1654341031	SPONGE	1	EA	sold by the meter	
18-3	1654606000	SEAL (SOLD BY THE METER)	1	EA	sold by the meter	
19	0554000203	BRACKET	1	EA		
20	0554000128	BRACKET	1	EA		
21	*****	PLATE ASSY	1	EA		
21-1	0554000136	PLATE	1	EA		
21-2	1654606097	TRIM	1	EA	sold by the meter	
21-3	1654606000	SEAL (SOLD BY THE METER)	1	EA	sold by the meter	
22	*****	RADIATOR ASSY	1	EA	see page (2/3)	
23	0554000135	PLATE	1	EA		
24	0554000139	PLATE	1	EA		
26	0554002001	HOSE, radiator (UPPER)	1	EA		
27	0554000345	HOSE, radiator (LOWER)	1	EA		
29	1100090816	BOLT	6	EA		
30	1100050820	BOLT (10TM8 X 20 P/1.25)	12	EA		
33	1100051020	BOLT (10TM10 X 20 P/1.5)	3	EA		
37	1100051235	BOLT (10TM12 X 35 P/1.75)	6	EA		
39	1120530406	SCREW	2	EA		
40	1130140008	NUT (polycarbonate type)	4	EA		
41	1130240010	NUT	2	EA		
42	1140020004	WASHER, spring	2	EA		
43	1140020008	WASHER, spring	22	EA		
44	1140020010	WASHER, spring	27	EA		
45	1140020012	WASHER, spring (12MM)	10	EA		
47	1141110008	WASHER	15	EA		

This page intentionally left blank

Item	Part No.	Name	Qty	Uom	Remarks	SERIAL NUMBER
48	1141110010	WASHER, plain	7	EA		
49	1141110012	WASHER	6	EA		
51	1530808100	HOSE (SOLD BY THE METER)	1	EA	sold by the meter	
52	1530808100	HOSE (SOLD BY THE METER)	1	EA	sold by the meter	
53	1531115000	HOSE, vinyl (SOLD BY THE METER)	1	EA	sold by the meter	
54	1531115000	HOSE, vinyl (SOLD BY THE METER)	1	EA	sold by the meter	
55	1531115058	PROTECTOR (SOLD BY THE METER)	1	EA	sold by the meter	
56	1531407000	HOSE (SOLD BY THE METER)	1	EA	sold by the meter	
57	1533120010	BAND	2	EA		
58	1533120512	BAND	4	EA		
59	1533700045	BAND, hose	2	EA		
60	1533700051	BAND	2	EA		
68	1652231250	BAND (1st aux. Proportion)	1	EA		
70	Y129150-49100	VALVE, drain	1	EA	Y129150-49100	
71	Y121267-44510	TANK, sub	1	EA	Y129466-44510	



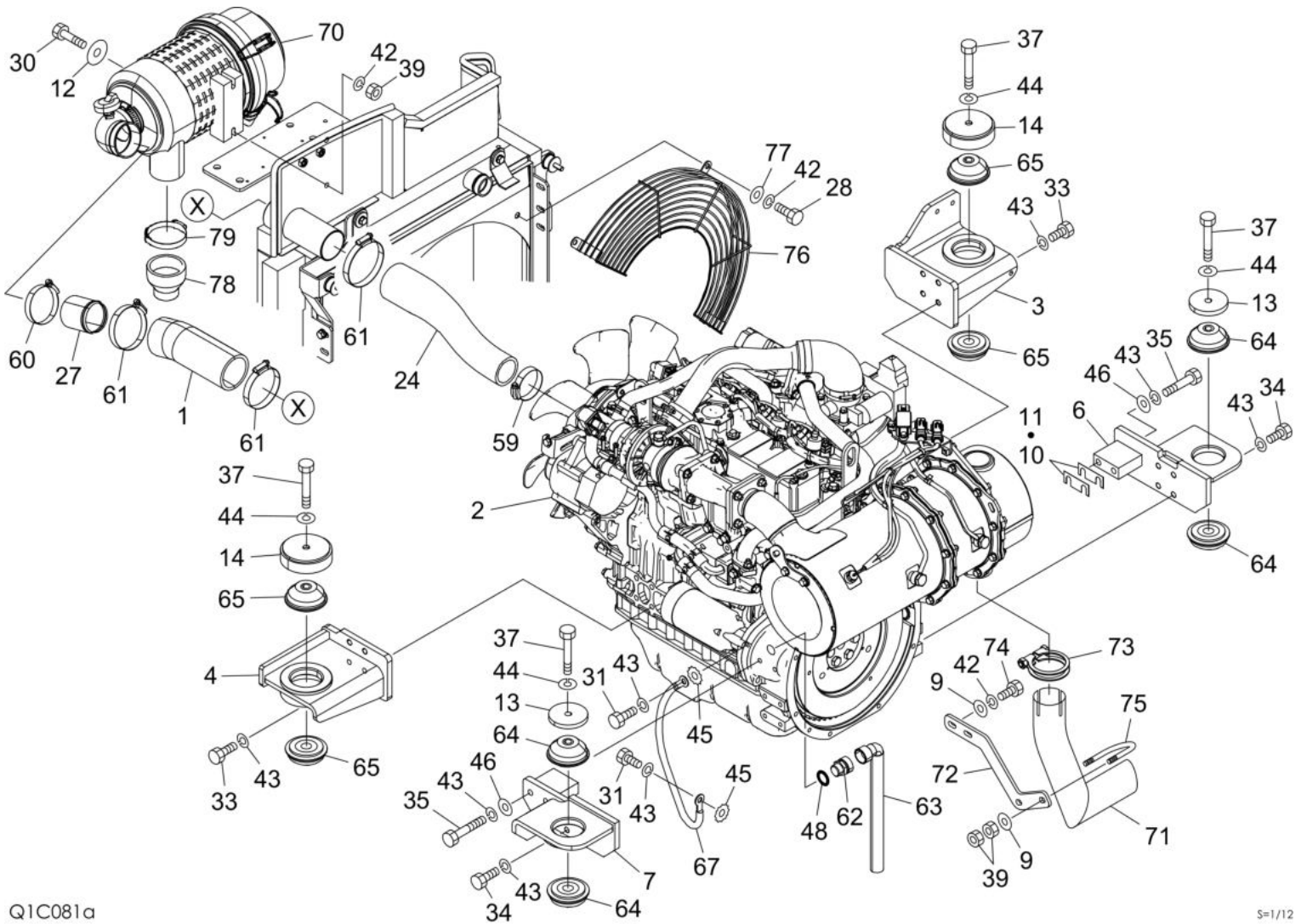
Q1C021

S=1/10

Item	Part No.	Name	Qty	Uom	Remarks	SERIAL NUMBER
0-1	*****	RADIATOR ASSY		EA		
1	1911300940	RADIATOR	1	EA		
1-1	1911300851	CAP, radiator	1	EA		
2	0554000137	SHROUD	1	EA		
3	0394026070	PLATE	2	EA		
4	1651024007	RUBBER, cushion	2	EA		
5	1513350027	ELBOW	1	EA		
5	1420010290	O-RING	1	EA		
6	0007213083	BUSHING	1	EA		
7	0007224015	ADAPTOR	1	EA		
8	1540140815	VALVE, check	1	EA		
9	1651014003	RUBBER, cushion	2	EA		
10	0554000141	BRACKET	1	EA		
11	0554000112	PLATE	1	EA		126100003~126100007
11	0554000172	PLATE	1	EA		126100008~
12	0554000115	PLATE	1	EA		126100003~126100395
12	0554000284	PLATE	1	EA		126100396~
13	0554000134	PLATE	1	EA		
14	1420010290	O-RING	2	EA		
15	0554002006	SPONGE	1	EA		
16	0554003006	SPONGE	1	EA		
17	1654342049	SPONGE	1	EA	sold by the meter	126100003~126101099
17	0554000316	SPONGE	1	EA		126101100~
18	1654342014	SPONGE	1	EA	sold by the meter	
19	1654341014	SPONGE	1	EA	sold by the meter	
20	0394032691	SPONGE	1	EA		
21	1654343025	SPONGE	1	EA	sold by the meter	
22	1654606000	SEAL (SOLD BY THE METER)	1	EA	sold by the meter	
23	1654606000	SEAL (SOLD BY THE METER)	1	EA	sold by the meter	
24	1654345017	SPONGE	1	EA	sold by the meter	
25	1654606000	SEAL (SOLD BY THE METER)	1	EA	sold by the meter	
26	1100050825	BOLT (10TM8 X 25 P/1.25)	6	EA		
27	1140020008	WASHER, spring	23	EA		
28	1100090816	BOLT	11	EA		
29	1141110008	WASHER	7	EA		
30	1100050820	BOLT (10TM8 X 20 P/1.25)	4	EA		
31	0003600079	WASHER	2	EA		
32	1130140008	NUT (polycarbonate type)	2	EA		

This page intentionally left blank

Item	Part No.	Name	Qty	Uom	Remarks	SERIAL NUMBER
33	0003609003	WASHER (9/30 T/3.2)	4	EA		
34	1654606195	TRIM	1	EA	sold by the meter	



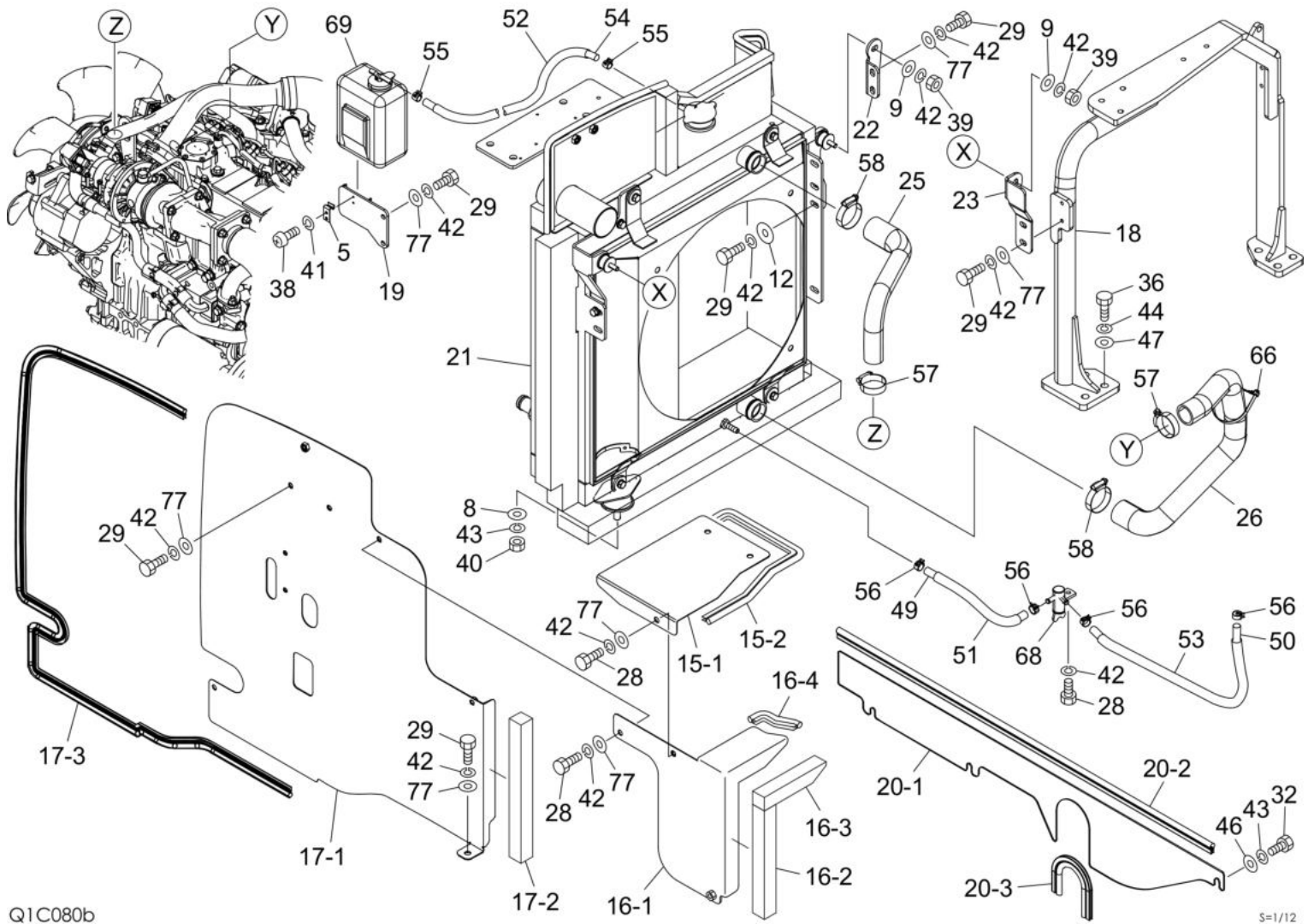
Q1C081a

S=1/12

Item	Part No.	Name	Qty	Uom	Remarks	SERIAL NUMBER
-	PNNA	ENGINE ASSY		EA		
1	0554002003	HOSE	1	EA		
2	1910385001	ENGINE CANOPY (4TNV86CT-PTB1) (TB260)	1	EA	4TNV86CT-PTB1	
3	0554002010	FOOT, engine (F.R.)	1	EA		
4	0554002020	FOOT, engine (F.L)	1	EA		
6	0554000155	FOOT, engine (R.R)	1	EA		
7	0554000157	FOOT, engine (R.L)	1	EA		
9	0003600079	WASHER	6	EA		
10	0003600240	SHIM	1	EA	t=0.2mm	
11	0003600241	SHIM	1	EA	t=0.5mm	
12	0003608252	WASHER	4	EA		
13	0394021028	WASHER	2	EA		
14	0394021050	STOPPER	2	EA		
24	0554000154	HOSE, radiator (UPPER)	1	EA		
27	0664001230	JOINT	1	EA		
28	1100090816	BOLT	9	EA		
30	1100050835	BOLT (10TM8 X 35 P/1.25)	2	EA		
31	1100051016	BOLT	2	EA		
33	1100051025	BOLT (10TM10 X 25 P/1.5)	8	EA		
34	1100051030	BOLT	8	EA		
35	1100051090	BOLT (10 X 90)	4	EA		
37	1101141200	BOLT	4	EA		
39	1130140008	NUT (polycarbonate type)	8	EA		
42	1140020008	WASHER, spring	27	EA		
43	1140020010	WASHER, spring	27	EA		
44	1140020012	WASHER, spring (12MM)	10	EA		
45	1140330010	WASHER, spring	2	EA		
46	1141110010	WASHER, plain	7	EA		
48	1432122302	WASHER	1	EA		
59	1533700061	CLIP	1	EA		
60	1533700071	CLAMP	1	EA		
61	1533700081	BAND	3	EA		
62	1554502250	PLUG	1	EA		
63	1554512601	TUBE (OIL DRAIN PLUG)	1	EA		
64	1651030015	RUBBER, cushion	4	EA		
65	1651030016	RUBBER, cushion	4	EA		
67	1702430400	CABLE, earth	1	EA		
70	1911260900	CLEANER ASSY, air	1	EA	see page (3/3)	

This page intentionally left blank

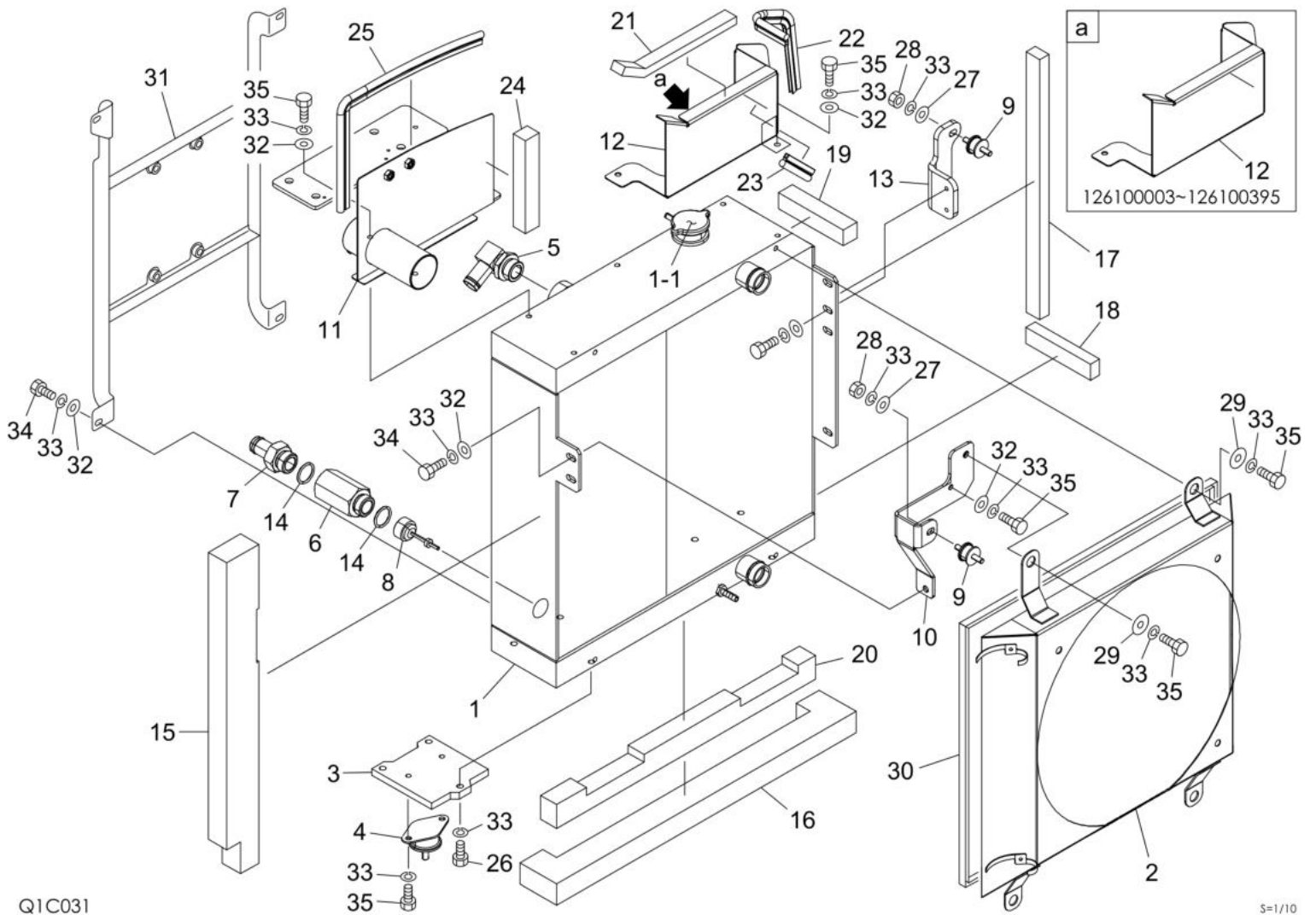
Item	Part No.	Name	Qty	Uom	Remarks	SERIAL NUMBER
71	0554000247	PIPE	1	EA		
72	0554000215	BRACKET	1	EA		
73	Y129640-13590	CLAMP ASSY, silencer	1	EA	19101-97027	
74	1100050825	BOLT (10TM8 X 25 P/1.25)	2	EA		
75	1533201020	BOLT	1	EA		
76	0554000227	GUARD, fan	1	EA		
77	1141110008	WASHER	18	EA		
78	0554000281	HOSE	1	EA		126101108~
79	1533701075	BAND	1	EA		126101108~



Item	Part No.	Name	Qty	Uom	Remarks	SERIAL NUMBER
5	0564026340	PLATE	1	EA		
8	0003600020	WASHER	2	EA		
9	0003600079	WASHER	6	EA		
12	0003608252	WASHER	4	EA		
15	*****	PLATE ASSY	1	EA		
15-1	0554000251	PLATE	1	EA		
15-2	1654606069	TRIM	1	EA	sold by the meter	
16	*****	PLATE ASSY	1	EA		
16-1	0554000257	PLATE	1	EA		
16-2	0554000265	SPONGE	1	EA		
16-3	0554000266	SPONGE	1	EA		
16-4	1654606000	SEAL (SOLD BY THE METER)	1	EA	sold by the meter	
17	*****	PLATE ASSY	1	EA		
17-1	0554000254	PLATE	1	EA		
17-2	1654341031	SPONGE	1	EA	sold by the meter	
17-3	1654606000	SEAL (SOLD BY THE METER)	1	EA	sold by the meter	
18	0554000203	BRACKET	1	EA		126100003~126100097
18	0554000261	BRACKET	1	EA		126100098~
19	0554000128	BRACKET	1	EA		
20	*****	PLATE ASSY	1	EA		
20-1	0554000136	PLATE	1	EA		
20-2	1654606097	TRIM	1	EA	sold by the meter	
20-3	1654606000	SEAL (SOLD BY THE METER)	1	EA	sold by the meter	
21	*****	RADIATOR ASSY	1	EA	see page (2/3)	
22	0554000135	PLATE	1	EA		
23	0554000139	PLATE	1	EA		
25	0554002001	HOSE, radiator (UPPER)	1	EA		
26	0554000345	HOSE, radiator (LOWER)	1	EA		
28	1100090816	BOLT	9	EA		
29	1100050820	BOLT (10TM8 X 20 P/1.25)	12	EA		
32	1100051020	BOLT (10TM10 X 20 P/1.5)	3	EA		
36	1100051235	BOLT (10TM12 X 35 P/1.75)	6	EA		
38	1120530406	SCREW	2	EA		
39	1130140008	NUT (polycarbonate type)	8	EA		
40	1130240010	NUT	2	EA		
41	1140020004	WASHER, spring	2	EA		
42	1140020008	WASHER, spring	27	EA		
43	1140020010	WASHER, spring	27	EA		

This page intentionally left blank

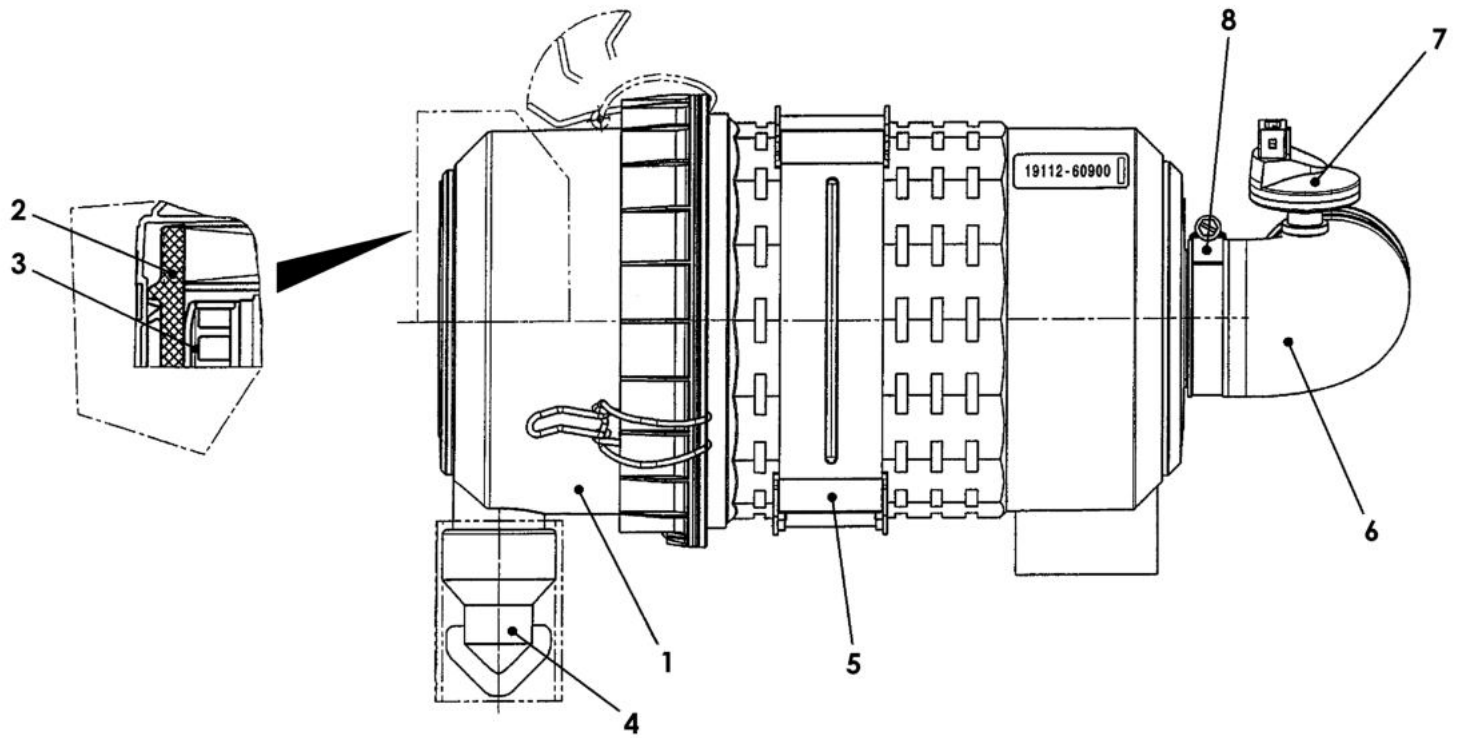
Item	Part No.	Name	Qty	Uom	Remarks	SERIAL NUMBER
44	1140020012	WASHER, spring (12MM)	10	EA		
46	1141110010	WASHER, plain	7	EA		
47	1141110012	WASHER	6	EA		
49	1530808100	HOSE (SOLD BY THE METER)	1	EA	sold by the meter	
50	1530808100	HOSE (SOLD BY THE METER)	1	EA	sold by the meter	
51	1531118022	PROTECTOR	1	EA	sold by the meter	
52	1531115050	PROTECTOR	1	EA	sold by the meter	
53	1531118058	PROTECTOR	1	EA	sold by the meter	
54	1531407000	HOSE (SOLD BY THE METER)	1	EA	sold by the meter	
55	1533120010	BAND	2	EA		
56	1533120512	BAND	4	EA		
57	1533700045	BAND, hose	2	EA		
58	1533700051	BAND	2	EA		
66	1652231250	BAND (1st aux. Proportion)	1	EA		126100003~126100097
68	Y129150-49100	VALVE, drain	1	EA	19100-78037	
69	Y129466-44510	TANK, sub	1	EA	19101-46020	
77	1141110008	WASHER	18	EA		



Item	Part No.	Name	Qty	Uom	Remarks	SERIAL NUMBER
0-1	*****	RADIATOR ASSY		EA		
1	1911300940	RADIATOR	1	EA		
1-1	1911300851	CAP, radiator	1	EA		
2	0554000243	SHROUD	1	EA		
3	0394026070	PLATE	2	EA		
4	1651024007	RUBBER, cushion	2	EA		
5	1513350027	ELBOW	1	EA		
5	1420010290	O-RING	1	EA		
6	0007213083	BUSHING	1	EA		
7	0007224015	ADAPTOR	1	EA		
8	1540140815	VALVE, check	1	EA		
9	1651014003	RUBBER, cushion	2	EA		
10	0554000141	BRACKET	1	EA		
11	0554000172	PLATE	1	EA		
12	0554000115	PLATE	1	EA		126100003~126100395
12	0554000284	PLATE	1	EA		126100396~
13	0554000134	PLATE	1	EA		
14	1420010290	O-RING	2	EA		
15	0554002006	SPONGE	1	EA		
16	0554003006	SPONGE	1	EA		
17	1654342049	SPONGE	1	EA	sold by the meter	126100003~126101099
17	0554000316	SPONGE	1	EA		126101100~
18	1654342014	SPONGE	1	EA	sold by the meter	
19	1654341014	SPONGE	1	EA	sold by the meter	
20	0394032691	SPONGE	1	EA		
21	1654343025	SPONGE	1	EA	sold by the meter	
22	1654606000	SEAL (SOLD BY THE METER)	1	EA	sold by the meter	
23	1654606000	SEAL (SOLD BY THE METER)	1	EA	sold by the meter	
24	1654345017	SPONGE	1	EA	sold by the meter	
25	1654606000	SEAL (SOLD BY THE METER)	1	EA	sold by the meter	
26	1100050825	BOLT (10TM8 X 25 P/1.25)	6	EA		
27	0003600079	WASHER	2	EA		
28	1130140008	NUT (polycarbonate type)	2	EA		
29	0003609003	WASHER (9/30 T/3.2)	4	EA		
30	1654606195	TRIM	1	EA	sold by the meter	
31	0554000239	BRACKET	1	EA		
32	1141110008	WASHER	11	EA		
33	1140020008	WASHER, spring	27	EA		

This page intentionally left blank

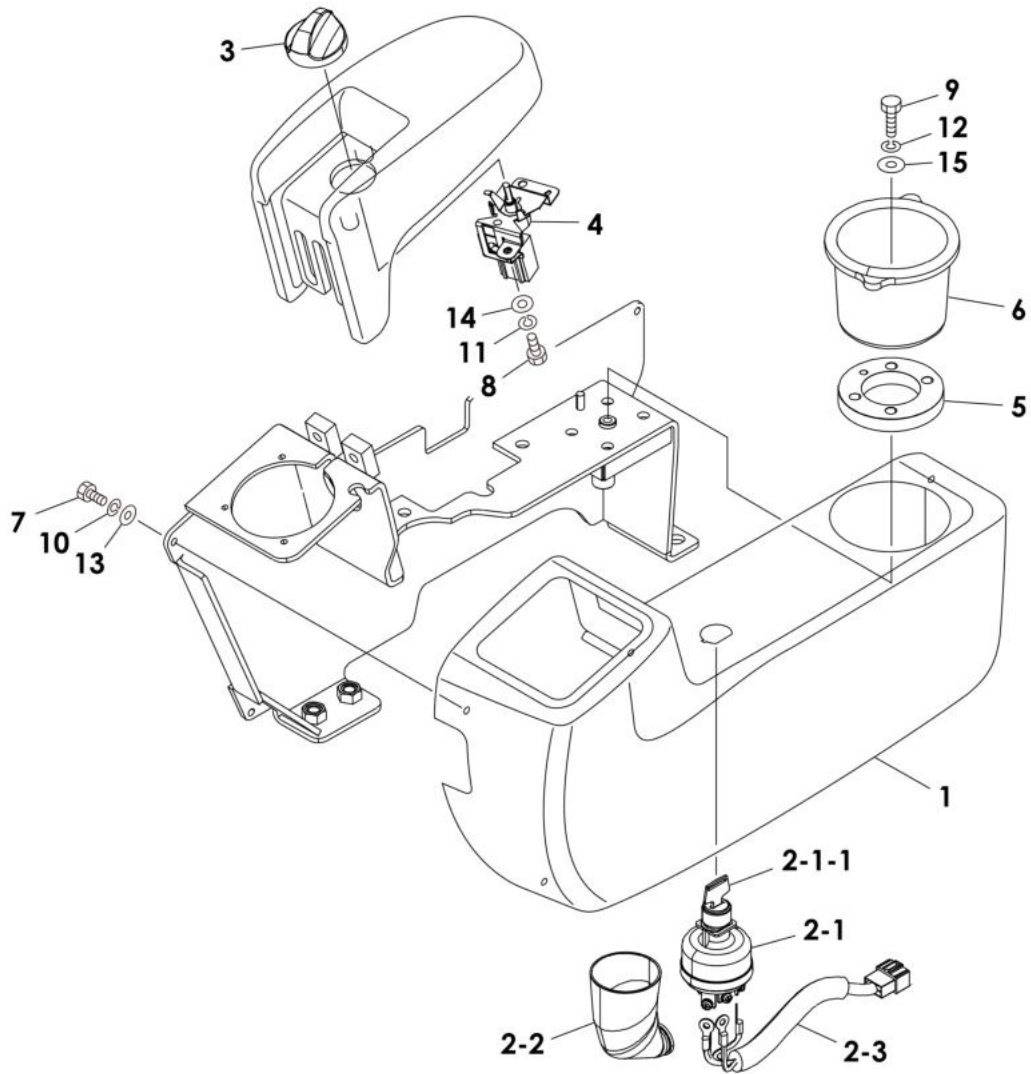
Item	Part No.	Name	Qty	Uom	Remarks	SERIAL NUMBER
34	1100050820	BOLT (10TM8 X 20 P/1.25)	5	EA		
35	1100090816	BOLT	14	EA		



Q0C030

S=free

Item	Part No.	Name	Qty	Uom	Remarks	SERIAL NUMBER
0-2	1911260900	CLEANER ASSY, air	1	EA		
1	1911260901	COVER (HOUSING BOTTOM)	1	EA		
2	1911112001	FILTER, air (OUTER)	1	EA	SEE # AFY129939-12621 FOR AFTERMARKET	
3	1911112002	FILTER, air (INNER)	1	EA	SEE #AFY129939-12630 FOR AFTERMARKET	
4	0664006355	VALVE, dust	1	EA		
5	0664006357	BRACKET	1	EA		
6	1911260906	MANIFOLD	1	EA		
7	1911260305	SWITCH, service	1	EA		
8	1911260908	CLAMP	1	EA		

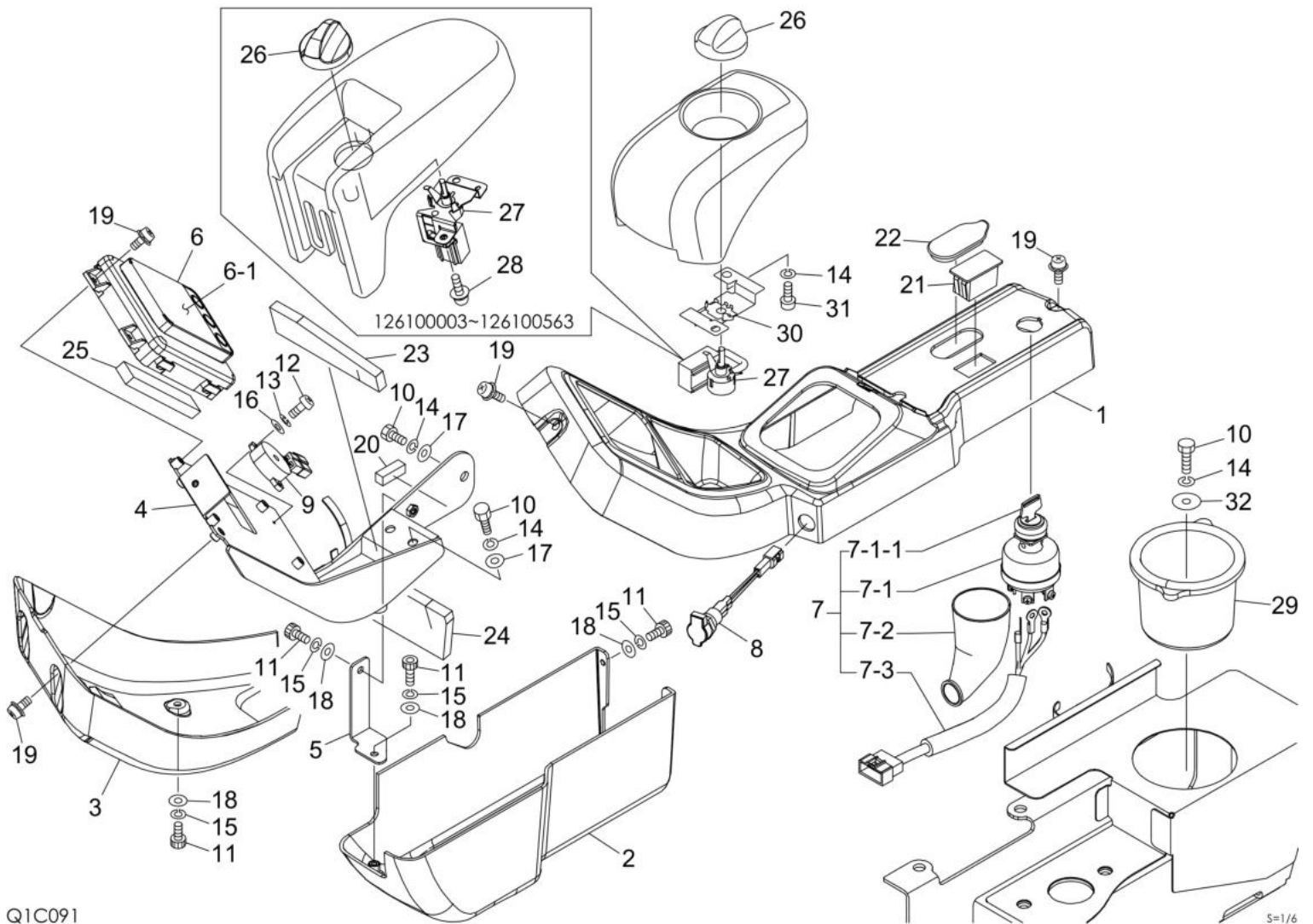


Q0C080

S=1/6

Item	Part No.	Name	Qty	Uom	Remarks	SERIAL NUMBER
-	PNNA	BOX ASSY, control (R.H.)		EA		
1	0565127530	COVER (R.H.)	1	EA		
2	*****	SWITCH ASSY, starter	1	EA		
2-1	1700100098	SWITCH, starter (KEY)	1	EA		
2-1-1	1700100019	KEY (QTY 2 = 1 KEYS)**KEYS ONLY**	1	EA		
2-1-1	1700100166	KEY (RED)	1	EA	with TSS	
2-1-1	1700100167	KEY (BLACK)	1	EA	with TSS	
2-2	0870431821	COVER	1	EA		
2-3	0574300530	HARNES, wiring	1	EA		
3	1700000059	KNOB	1	EA		
4	1700000060	RESISTOR ASSY	1	EA		
5	0378606131	SPONGE	1	EA		
6	0578601010	HOLDER	1	EA		
7	1100040514	BOLT	4	EA		
8	1100050620	BOLT (10TM6 X 20 P/1.0)	2	EA		
9	1100090816	BOLT	1	EA		
10	1140020005	WASHER, spring	4	EA		
11	1140020006	WASHER, spring	2	EA		
12	1140020008	WASHER, spring	1	EA		
13	1141110005	WASHER, flat (ZINC) (5MM)	4	EA		
14	1141110006	WASHER	2	EA		
15	0003608003	WASHER (8/30 T/2.3)	1	EA		

ENGINE & ELECTRICAL SYSTEM CONTROL BOX (R.H.) (canopy)

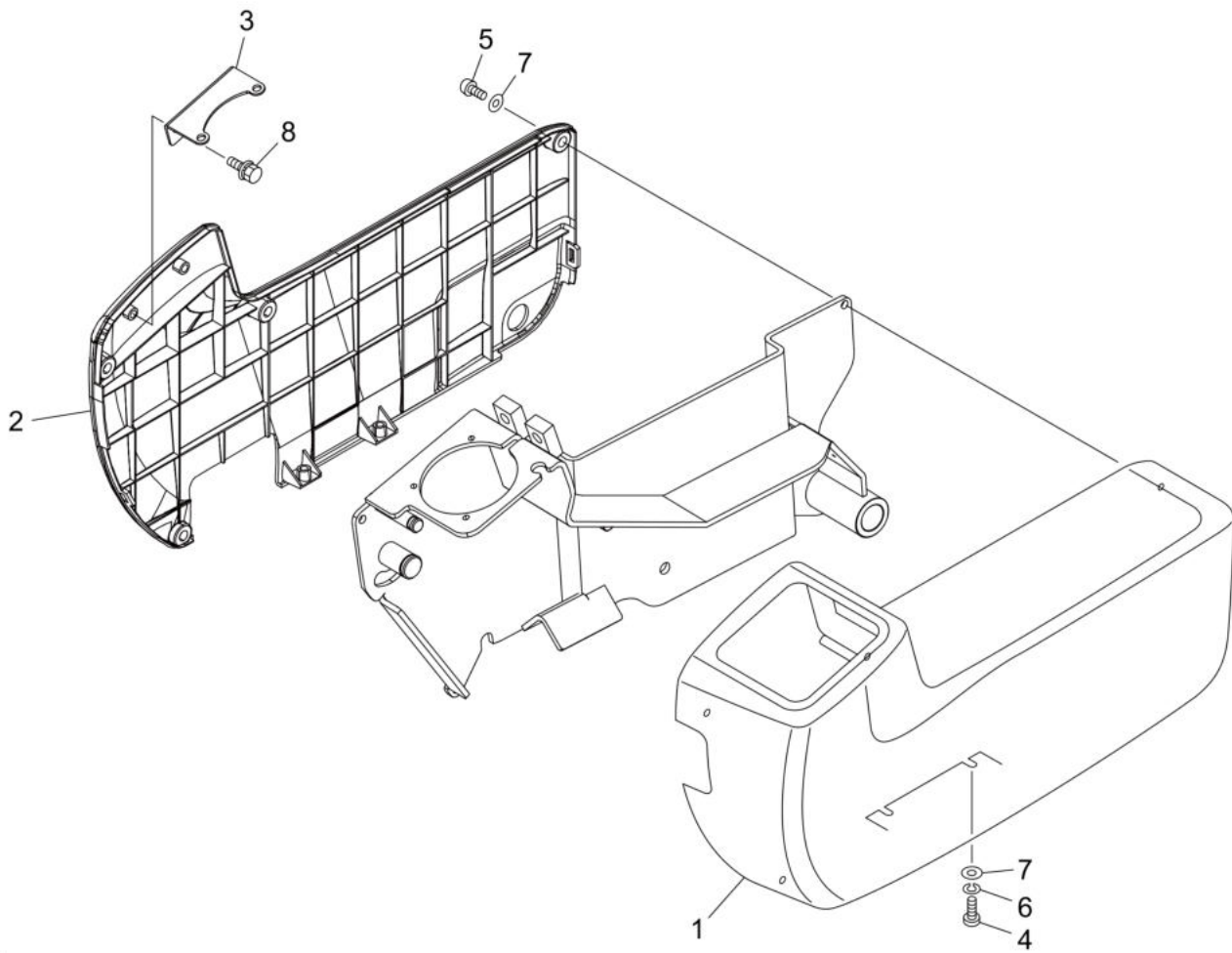


Item	Part No.	Name	Qty	Uom	Remarks	SERIAL NUMBER
-	PNNA	BOX ASSY, control (R.H.)		EA		
1	0334300019	COVER (R.H.)	1	EA		
2	0334300020	COVER (R.H.)	1	EA		
3	0334300022	COVER (R.H.)	1	EA		
4	0334300024	BRACKET	1	EA		
5	0334300031	PLATE	1	EA		
6	1730140995	DISPLAY	1	EA		
6-1	1730140992	CASE	1	EA		
7	*****	SWITCH ASSY, starter	1	EA		
7-1	1700100072	SWITCH, starter (KEY)	1	EA		
7-1-1	1700100019	KEY (QTY 2 = 1 KEYS)**KEYS ONLY**	1	EA		
7-2	0870431821	COVER	1	EA		
7-3	0334340191	HARNESS	1	EA		
8	0394203100	SOCKET	1	EA		
9	0573300610	BUZZER	1	EA		
10	1100090816	BOLT	4	EA		
11	1110090512	SCREW, cap	5	EA		
12	1120530314	SCREW	2	EA		
13	1140020003	WASHER, spring	2	EA		
14	1140020008	WASHER, spring	6	EA		
15	1140020005	WASHER, spring	5	EA		
16	1141110003	WASHER	2	EA		
17	1141110008	WASHER	3	EA		
18	1141110005	WASHER, flat (ZINC) (5MM)	5	EA		
19	1150420514	SCREW, sems	9	EA		
20	1654319000	SPONGE (SOLD BY THE METER)	1	EA	sold by the meter	
21	1700008129	PLUG	1	EA		
22	0554300005	GROMMET	1	EA		
23	0334300040	SPONGE	1	EA		
24	0334300039	SPONGE	1	EA		
25	0334300037	SPONGE	1	EA		
26	1700000059	KNOB	1	EA		
27	1700000060	RESISTOR ASSY	1	EA		126100003~126100563
27	1700000066	RESISTOR ASSY	1	EA		126100564~
28	1150420614	SCREW, sems	2	EA		126100003~126100563
29	0578601010	HOLDER	1	EA		126100564~
30	0375100054	BRACKET	1	EA		126100564~
31	1120530816	SCREW	2	EA		126100564~

This page intentionally left blank

Item	Part No.	Name	Qty	Uom	Remarks	SERIAL NUMBER
32	0003608003	WASHER (8/30 T/2.3)	1	EA		126100564~

ENGINE & ELECTRICAL SYSTEM CONTROL BOX (L.H.) (cab)

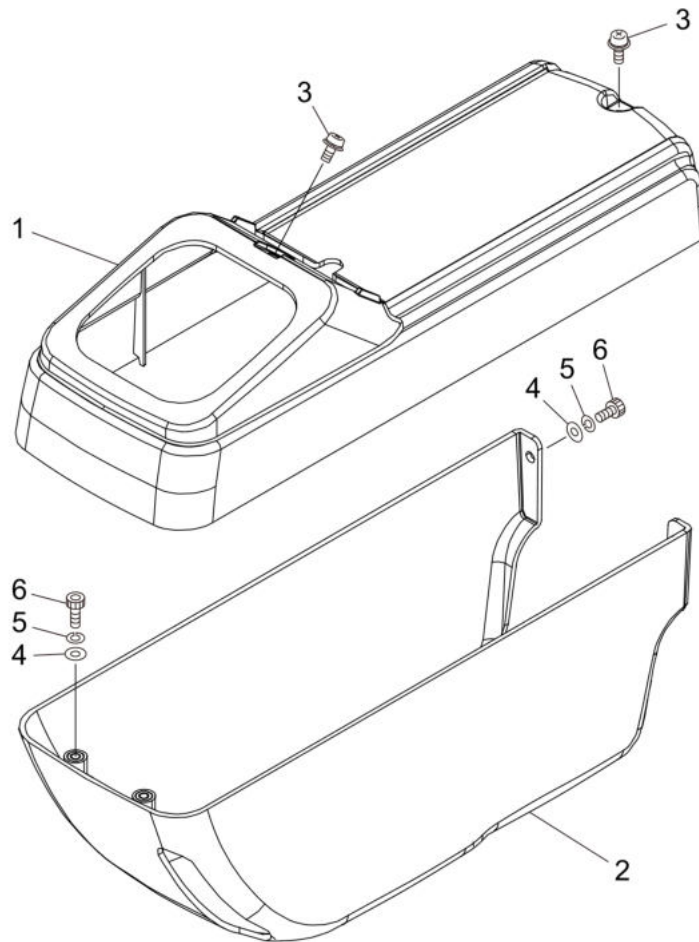


Q0C090

S=1/6

Item	Part No.	Name	Qty	Uom	Remarks	SERIAL NUMBER
-	PNNA	BOX ASSY, control (L.H.)		EA		
1	0565127510	COVER (L.H.)	1	EA		
2	0565127520	COVER	1	EA		
3	0565127522	PLATE	1	EA		
4	1120530512	SCREW (PHILIPS 4.8 ZINC M5 BY 12MM)	2	EA		
5	1120630516	SCREW, flat (4TM5 X 16 P/0.8)	4	EA		
6	1140020005	WASHER, spring	2	EA		
7	1141110005	WASHER, flat (ZINC) (5MM)	6	EA		
8	1150420520	BOLT, sems	2	EA		

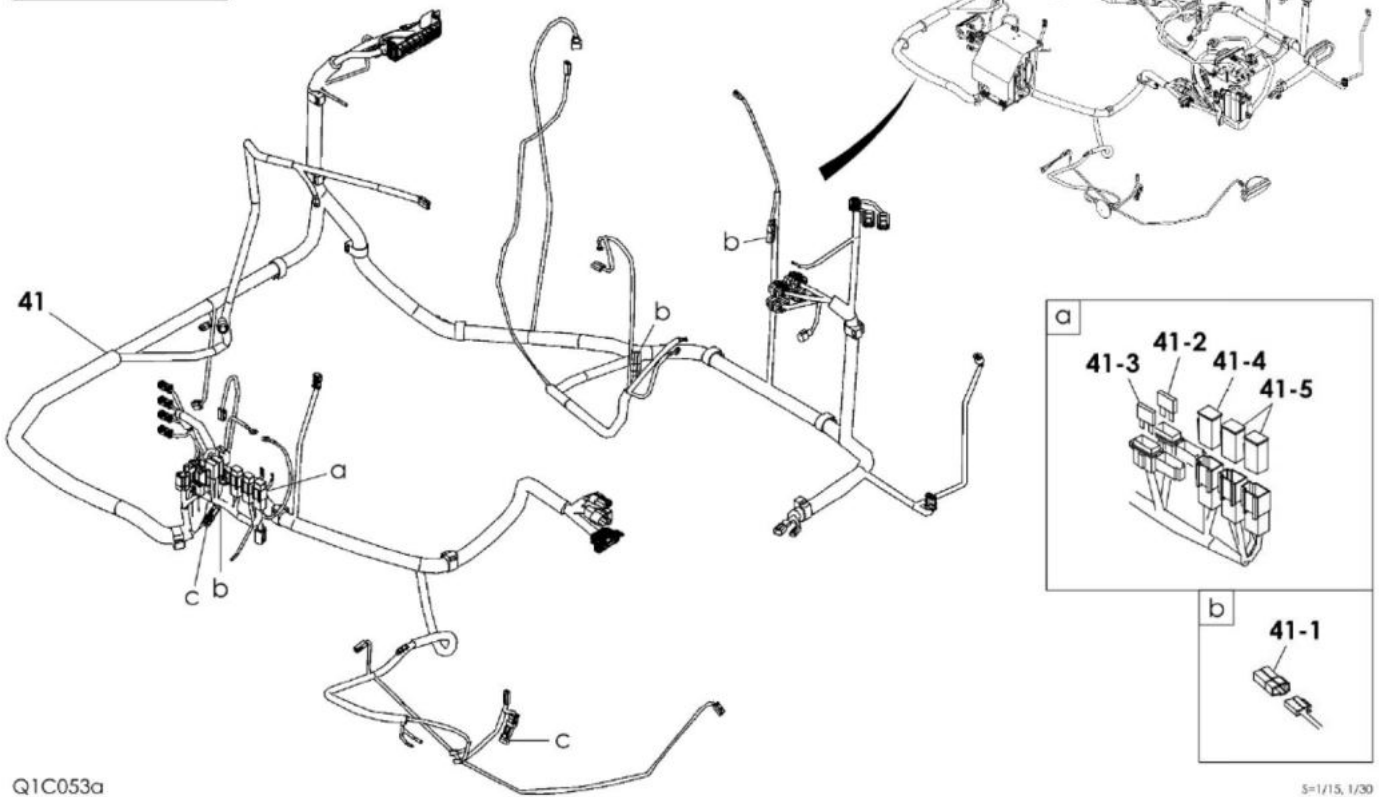
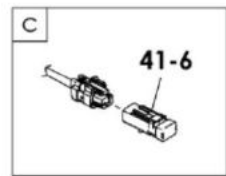
ENGINE & ELECTRICAL SYSTEM CONTROL BOX (L.H.) (canopy)



Q1C100

S=1/4

Item	Part No.	Name	Qty	Uom	Remarks	SERIAL NUMBER
-	PNNA	BOX ASSY, control (L.H.)		EA		
1	0334300016	COVER (L.H.)	1	EA		
2	0334300017	COVER (L.H.)	1	EA		
3	1150420514	SCREW, sems	2	EA		
4	1141110005	WASHER, flat (ZINC) (5MM)	4	EA		
5	1140020005	WASHER, spring	4	EA		
6	1110090512	SCREW, cap	4	EA		



Q1C053a

S=1/15, 1/30

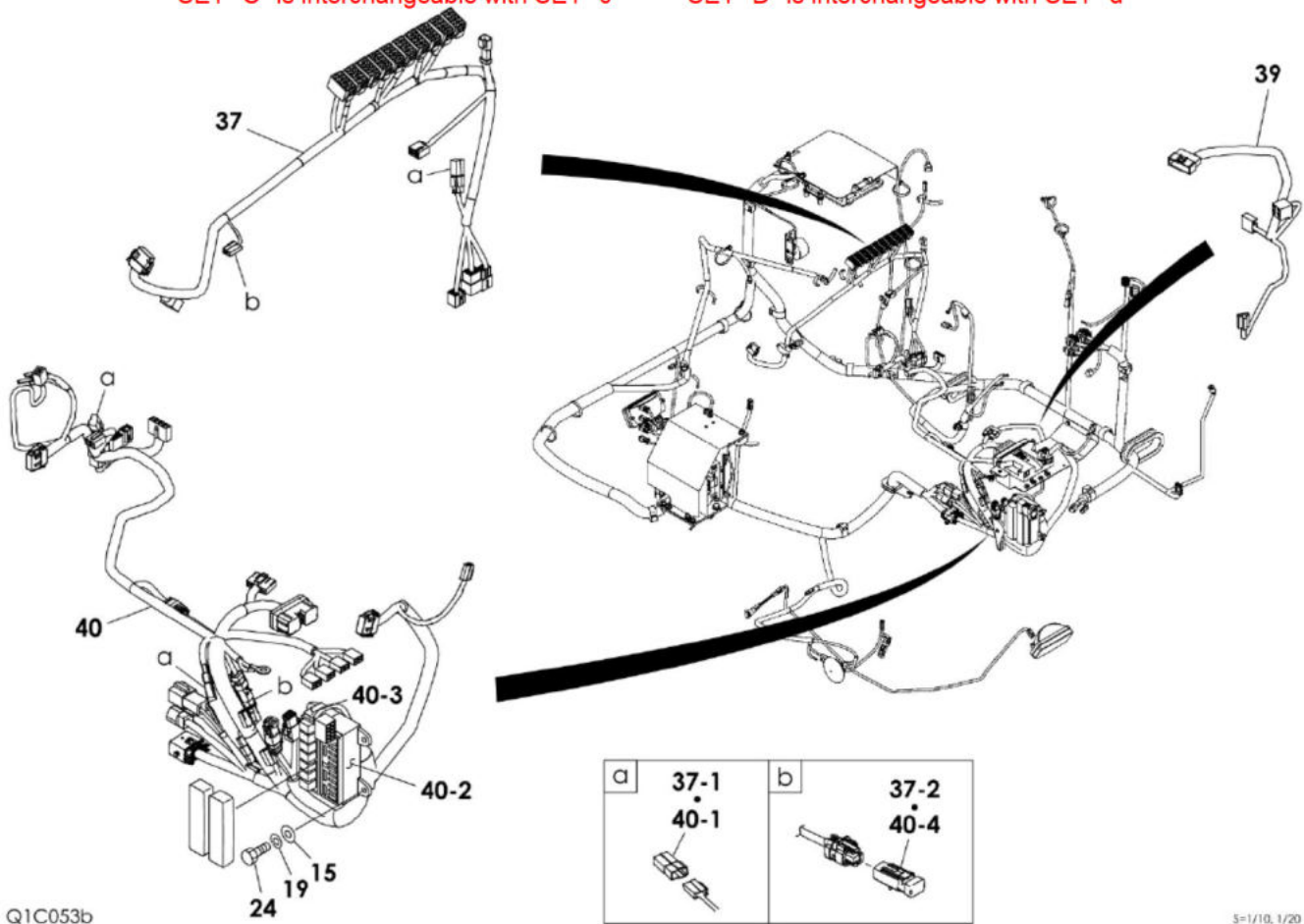
Item	Part No.	Name	Qty	Uom	Remarks	SERIAL NUMBER
-	PNNA	ELECTRICAL ASSY		EA		
41	0554200061	HARNESS ASSY, wiring	1	EA		
41-1	1730500008	DIODE (3A YELLOW)	3	EA		
41-2	1701310020	FUSE (20A)	1	EA	20A	
41-3	1701310025	FUSE (25A)	1	EA	25A	
41-4	1701330045	LINK, fusible (45A)	1	EA	45A	
41-5	1701330075	LINK, fusible (75A)	2	EA	75A	
41-6	1903900244	RESISTOR	2	EA		

"A" is interchangeable with SET "a"

"B" is interchangeable with SET "b"

SET "C" is interchangeable with SET "c"

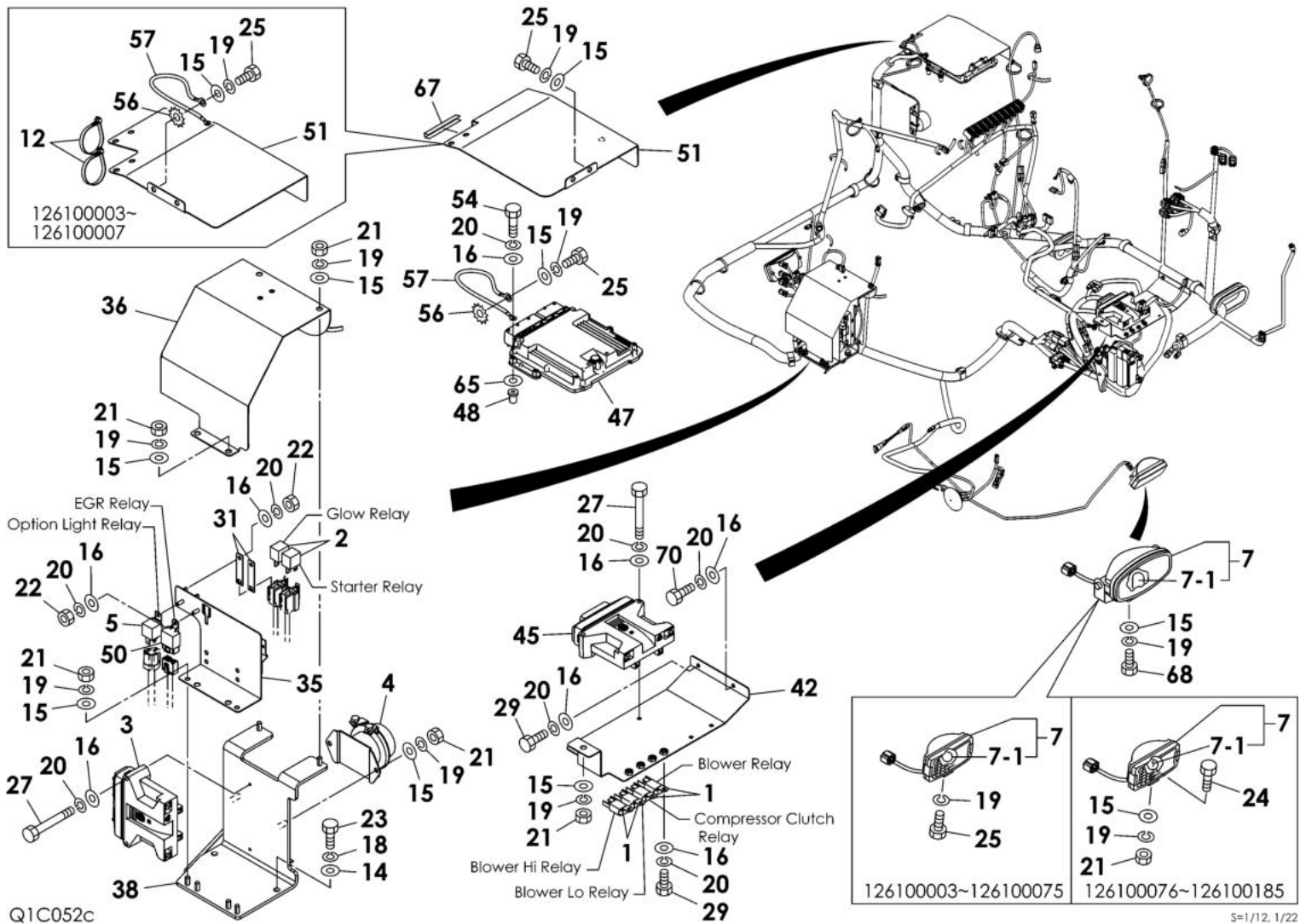
SET "D" is interchangeable with SET "d"



Q1C053b

3=1/10, 1/20

Item	Part No.	Name	Qty	Uom	Remarks	SERIAL NUMBER
15	1141110008	WASHER	22	EA		
19	1140020008	WASHER, spring	23	EA		
24	1100050820	BOLT (10TM8 X 20 P/1.25)	4	EA		
37	0554200057	HARNESS ASSY, wiring	1	EA	not service, C	126100003~126101461
37	0554200104	HARNESS ASSY, wiring	1	EA	not service, D	126101462~126102031
37	0554200139	HARNESS ASSY, wiring	1	EA	c,d	126102032~
37-1	1730500008	DIODE (3A YELLOW)	1	EA		
37-2	1903900244	RESISTOR	1	EA		
39	0554200046	HARNESS ASSY, wiring	1	EA		
40	0554200063	HARNESS ASSY, wiring	1	EA		126100003~126101461
40	0554200117	HARNESS ASSY, wiring	1	EA		126101462~126101973; 126101974~
40-1	1730500008	DIODE (3A YELLOW)	2	EA		
40-2	*****	BOX, fuse	1	EA		
40-2	1701310005	FUSE (5A)	2	EA		
40-2	1701310010	FUSE (10A)	5	EA		
40-2	1701310015	FUSE (15A)	1	EA		
40-2	1701310020	FUSE (20A)	2	EA		
40-2	1701310025	FUSE (25A)	4	EA		
40-2	1701310030	FUSE (30A)	1	EA		
40-3	*****	BOX, relay	1	EA		
40-3	1711900160	RELAY	5	EA		
40-4	1903900244	RESISTOR	1	EA		
*1	1700008260	SWITCH (light)	1	EA	C,D	126100003~126102031
*1	1700008262	SWITCH	1	EA	c,d	126102032~
*1	1700008200	SWITCH (wiper)	1	EA	C,D	126100003~126102031
*1	1700008263	SWITCH	1	EA	c,d	126102032~



Item	Part No.	Name	Qty	Uom	Remarks	SERIAL NUMBER
-	PNNA	ELECTRICAL ASSY		EA		
1	1911513026	RELAY	4	EA		
2	Y129927-77920	RELAY, starter	2	EA	19102-45125	
3	1730143341	CONTROLLER, sub	1	EA		126102094~
4	1711900179	RELAY, battery	1	EA		
5	1711900161	RELAY	1	EA		
7	1703009000	LAMP	2	EA	not service, B	126100076~126100185
7	1703009200	LAMP ASSY	2	EA	IF REPLACING PART # 1703068000 ORDER BOLT #1101040816, a,b	126100186~
7-1	1703068001	BULB	1	EA		126100003~126100075
7-1	1703009001	BULB	1	EA		126100076~126100185
7-1	1703009405	BULB	1	EA		126100186~
12	1652231250	BAND (1st aux. Proportion)	8	EA		
14	1141110010	WASHER, plain	5	EA		
15	1141110008	WASHER	22	EA		
16	1141110006	WASHER	23	EA		
18	1140020010	WASHER, spring	5	EA		
19	1140020008	WASHER, spring	23	EA		
20	1140020006	WASHER, spring	23	EA		
21	1130140008	NUT (polycarbonate type)	10	EA		
22	1130040006	NUT	4	EA		
23	1100051016	BOLT	2	EA		
24	1100050820	BOLT (10TM8 X 20 P/1.25)	4	EA		
25	1100090816	BOLT	6	EA		
27	1100040660	BOLT	4	EA		
29	1100050612	BOLT (10TM6 X 12 P/1.0)	7	EA		
31	0694205350	BRACKET	2	EA		
35	0554204027	BRACKET	1	EA		
36	0554200058	COVER	1	EA		
38	0554200060	BRACKET	1	EA		
42	0554200042	BRACKET	1	EA		
45	0554200025	CONTROLLER, main	1	EA	not service	126100003~126102093
45	0354200020	CONTROLLER, main	1	EA		126102094~
47	Y129A00-75910	ECU ASSY, service (YANMAR)	1	EA	19103-02135	
48	1652520006	NUT	4	EA		
50	Y198461-52950	RELAY, main (ORDER # 0564251020 FOR HARNESS)	1	EA	19102-45135	126100003~126100701
51	0554200059	PLATE	1	EA		126100003~126100007
51	0554200067	PLATE	1	EA		126100008~

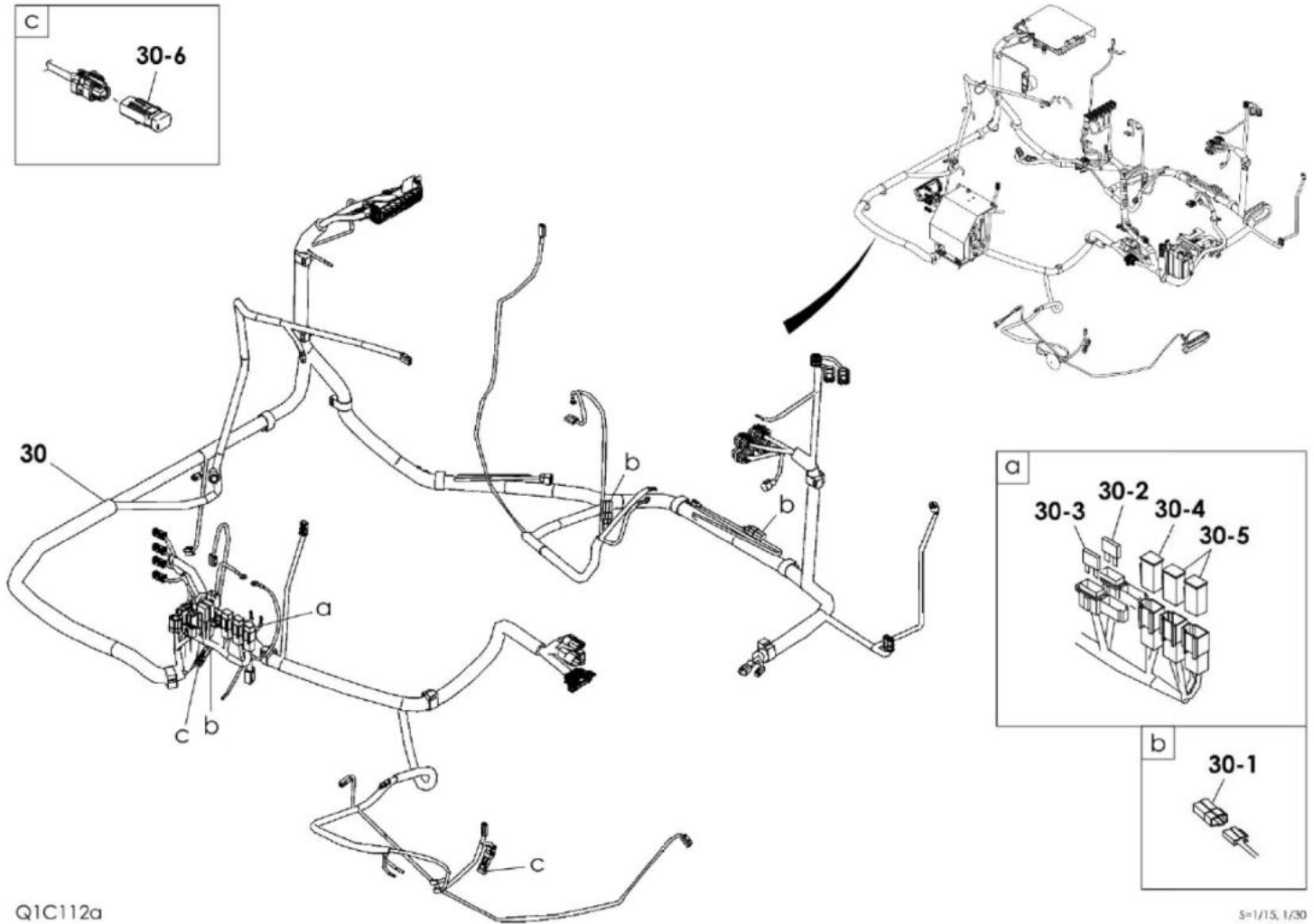
This page intentionally left blank

Item	Part No.	Name	Qty	Uom	Remarks	SERIAL NUMBER
54	1100040640	BOLT	4	EA		
56	1140330008	WASHER	2	EA		
57	0554200064	HARNES, wiring	1	EA		
65	0003606202	WASHER	4	EA		
67	1653916010	TRIM	1	EA	sold by the meter	
68	1101040816	SCREW	2	EA	a,b	126100186~
70	1100050616	BOLT (10TM6 X 16 P/1.0)	3	EA		
-	PNNA	a" is interchangeable with SET "A".		EA		
-	PNNA	B" is interchangeable with SET "b".		EA		

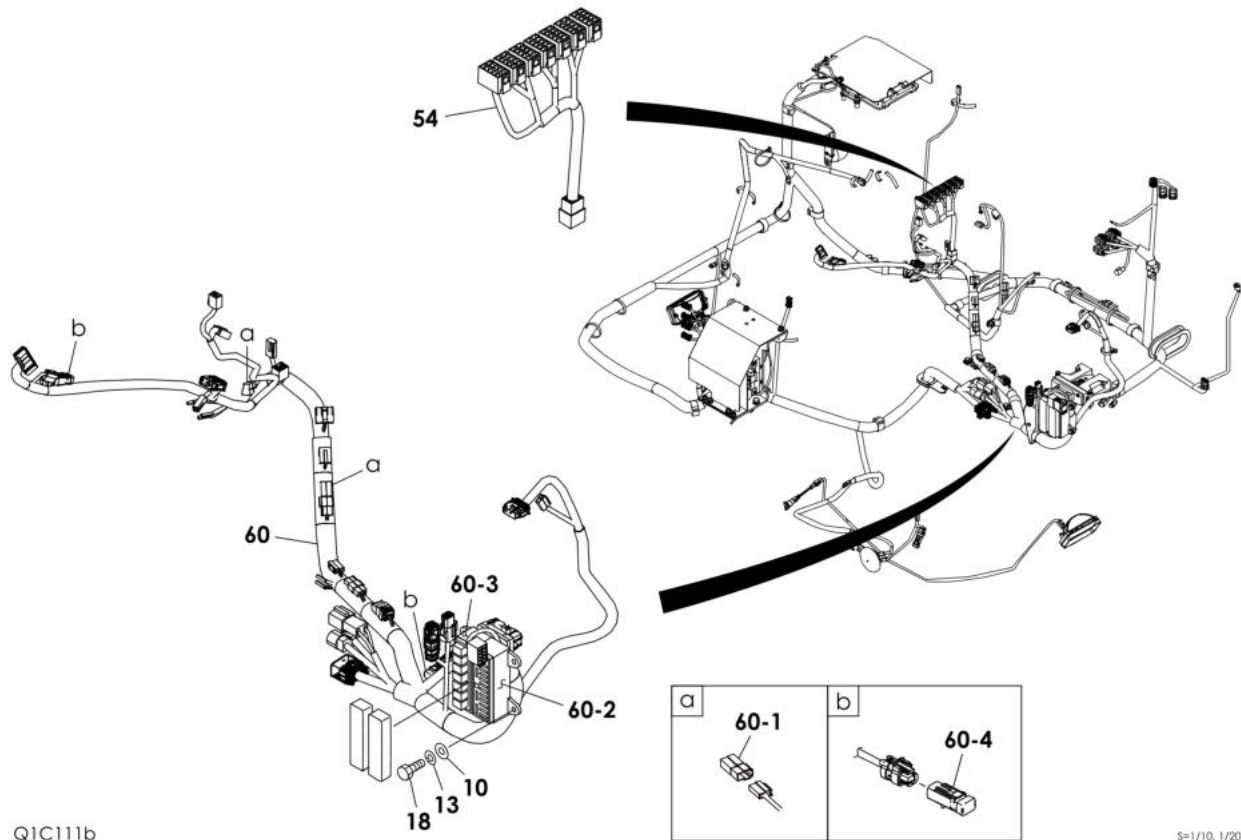
Item	Part No.	Name	Qty	Uom	Remarks	SERIAL NUMBER
6	1703500712	HORN	1	EA		126100003~126100521
6	1703500714	HORN	1	EA		126100522~
8	1654629005	TRIM	1	EA	sold by the meter	
10	1654606000	SEAL (SOLD BY THE METER)	2	EA	sold by the meter	
12	1652231250	BAND (1st aux. Proportion)	8	EA		
13	1150420310	SCREW, sems	2	EA		
14	1141110010	WASHER, plain	5	EA		
15	1141110008	WASHER	22	EA		
16	1141110006	WASHER	23	EA		
17	1140330010	WASHER, spring	2	EA		
18	1140020010	WASHER, spring	5	EA		
19	1140020008	WASHER, spring	23	EA		
20	1140020006	WASHER, spring	23	EA		
21	1130140008	NUT (polycarbonate type)	10	EA		
25	1100090816	BOLT	6	EA		
26	1100050814	BOLT (10TM8 X 14 P/1.25)	1	EA		
28	1100050620	BOLT (10TM6 X 20 P/1.0)	1	EA		
29	1100050612	BOLT (10TM6 X 12 P/1.0)	7	EA		
30	0872433150	TUBE	18	EA		
32	0573300610	BUZZER	1	EA		
33	0563053250	GROMMET	1	EA		
34	0557003830	GUARD	1	EA		
43	0554200039	PLATE	1	EA		
44	0554200068	PLATE	1	EA		
46	0394203100	SOCKET	1	EA		
49	1652900210	CLAMP	1	EA		
52	1703700013	BUZZER	1	EA		
53	1700008272	SWITCH, engine stop	1	EA		
55	1711900127	CLAMP	1	EA		
56	1140330008	WASHER	2	EA		
58	1711900076	CLAMP	1	EA		
59	1100041014	BOLT	2	EA		
60	1130240010	NUT	1	EA		
61	1652231140	BAND	2	EA		126100003~126101973
61	1652231140	BAND	3	EA		126101974~
62	1141110003	WASHER	2	EA		
64	1652900006	CLAMP	1	EA		126100008~
66	1711900105	CLAMP	1	EA		

This page intentionally left blank

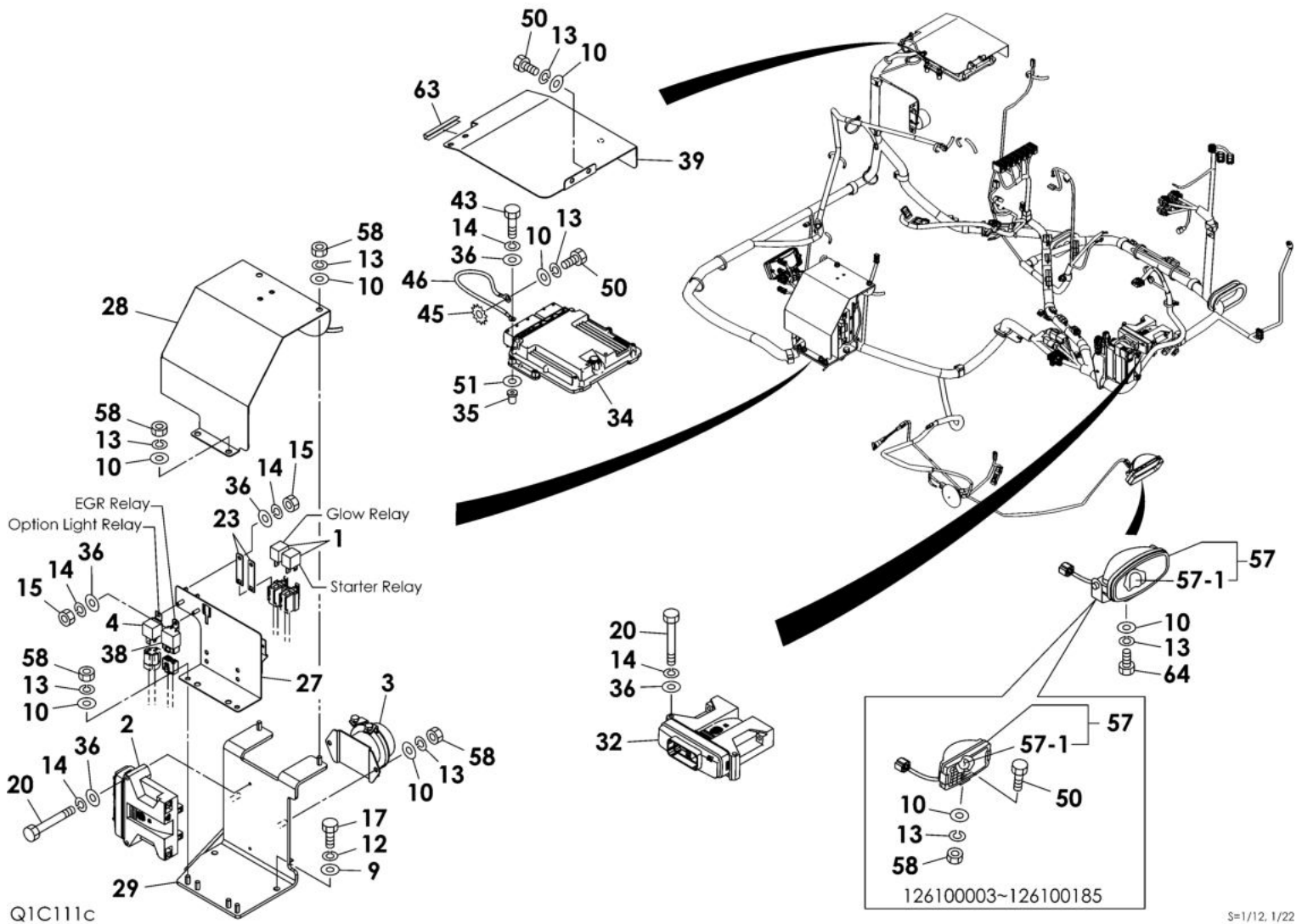
Item	Part No.	Name	Qty	Uom	Remarks	SERIAL NUMBER
70	1100050616	BOLT (10TM6 X 16 P/1.0)	3	EA		
*1	1700008260	SWITCH (light)	1	EA	C,D	126100003~126102031
*1	1700008262	SWITCH	1	EA	c,d	126102032~
*1	1700008200	SWITCH (wiper)	1	EA	c,d	126100003~126102031
*1	1700008263	SWITCH	1	EA	c,d	126102032~



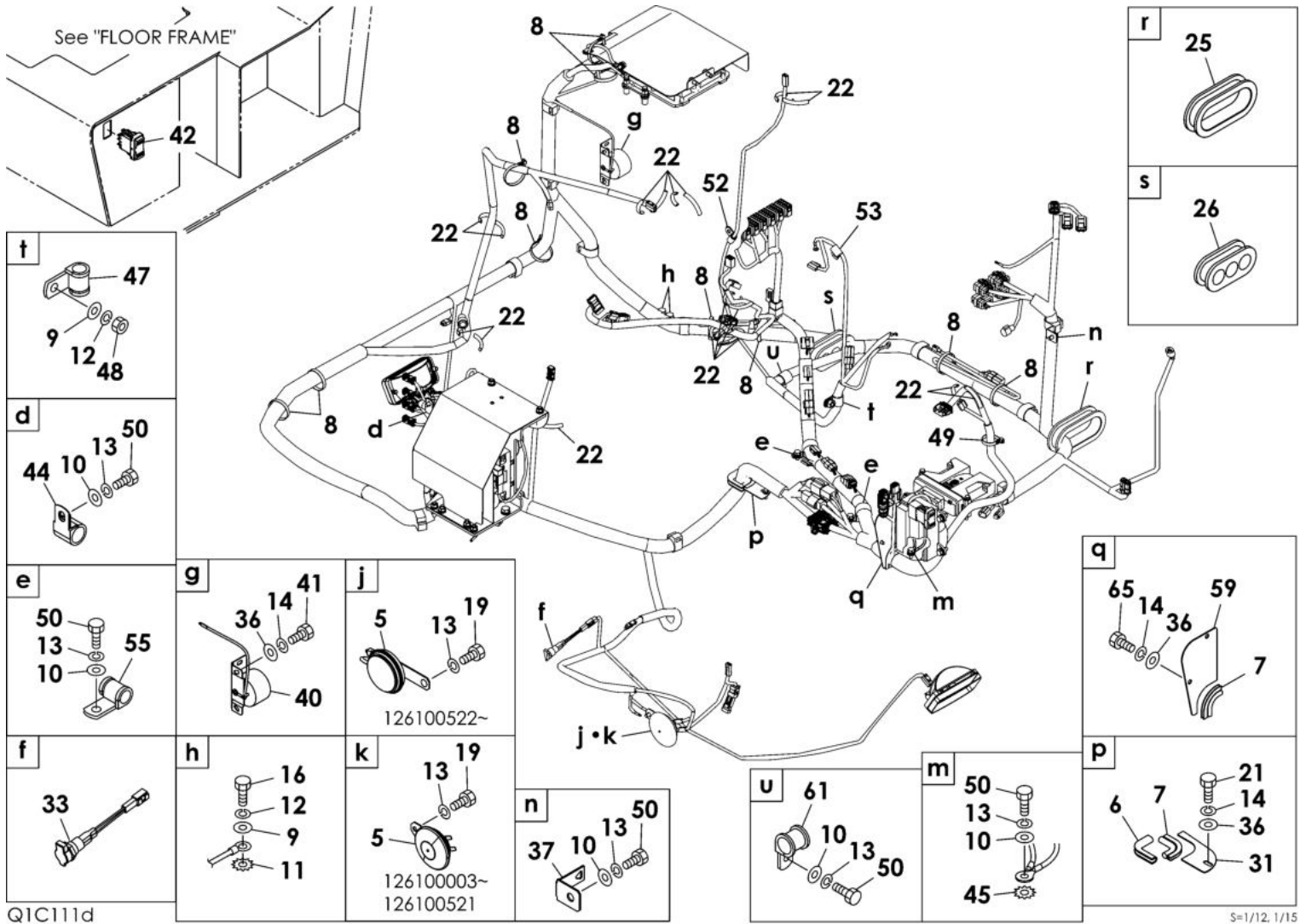
Item	Part No.	Name	Qty	Uom	Remarks	SERIAL NUMBER
-	PNNA	ELECTRICAL ASSY		EA		
30	0554200061	HARNES ASSY, wiring	1	EA		
30-1	1730500008	DIODE (3A YELLOW)	3	EA		
30-2	1701310020	FUSE (20A)	1	EA	20A	
30-3	1701310025	FUSE (25A)	1	EA	25A	
30-4	1701330045	LINK, fusible (45A)	1	EA	45A	
30-5	1701330075	LINK, fusible (75A)	2	EA	75A	
30-6	1903900244	RESISTOR	2	EA		



Item	Part No.	Name	Qty	Uom	Remarks	SERIAL NUMBER
10	1141110008	WASHER	23	EA		
13	1140020008	WASHER, spring	24	EA		
18	1100050820	BOLT (10TM8 X 20 P/1.25)	4	EA		
54	0374200006	HARNES ASSY, wiring	1	EA		
60	0554200065	HARNES, wiring	1	EA		126100003~126101301
60	0554200097	HARNES ASSY, wiring	1	EA		126101302~
60-1	1730500008	DIODE (3A YELLOW)	2	EA		
60-2	*****	BOX, fuse	1	EA		
60-2	1701310005	FUSE (5A)	2	EA		
60-2	1701310010	FUSE (10A)	3	EA		
60-2	1701310015	FUSE (15A)	2	EA		
60-2	1701310020	FUSE (20A)	1	EA		
60-2	1701310025	FUSE (25A)	3	EA		
60-3	*****	BOX, relay	1	EA		
60-3	1711900160	RELAY	4	EA		
60-4	1903900244	RESISTOR	2	EA		



Item	Part No.	Name	Qty	Uom	Remarks	SERIAL NUMBER
1	Y129927-77920	RELAY, starter	2	EA	19102-45125	
2	1730143341	CONTROLLER, sub	1	EA		126102094~
3	1711900179	RELAY, battery	1	EA		
4	1711900161	RELAY	1	EA		
9	1141110010	WASHER, plain	5	EA		
10	1141110008	WASHER	23	EA		
12	1140020010	WASHER, spring	5	EA		
13	1140020008	WASHER, spring	24	EA		
14	1140020006	WASHER, spring	17	EA		
15	1130040006	NUT	4	EA		
17	1100051016	BOLT	2	EA		
20	1100040660	BOLT	4	EA		
23	0694205350	BRACKET	2	EA		
27	0554204027	BRACKET	1	EA		
28	0554200058	COVER	1	EA		
29	0554200060	BRACKET	1	EA		
32	0554200025	CONTROLLER, main	1	EA	not service	126100003~126102093
32	0354200020	CONTROLLER, main	1	EA		126102094~
34	Y129A00-75910	ECU ASSY, service (YANMAR)	1	EA	19103-02135	
35	1652520006	NUT	4	EA		
36	1141110006	WASHER	17	EA		
38	Y198461-52950	RELAY, main (ORDER # 0564251020 FOR HARNESS)	1	EA	19102-45135	126100003~126100701
39	0554200067	PLATE	1	EA		
43	1100040640	BOLT	4	EA		
45	1140330008	WASHER	2	EA		
46	0554200064	HARNESS, wiring	1	EA		
50	1100090816	BOLT	9	EA		
51	0003606202	WASHER	4	EA		126100008~
57	1703009000	LAMP	2	EA	not service, A	126100003~126100185
57	1703009200	LAMP ASSY	2	EA	a, IF REPLACING PART # 1703068000 ORDER BOLT #1101040816	126100186~
57-1	1703009001	BULB	1	EA		126100003~126100185
57-1	1703009405	BULB	1	EA		126100186~
58	1130140008	NUT (polycarbonate type)	8	EA		
63	1653916010	TRIM	1	EA	sold by the meter	
64	1101040816	SCREW	2	EA	a	126100186~
-	PNNA	"A" is interchangeable with SET "a"		EA		

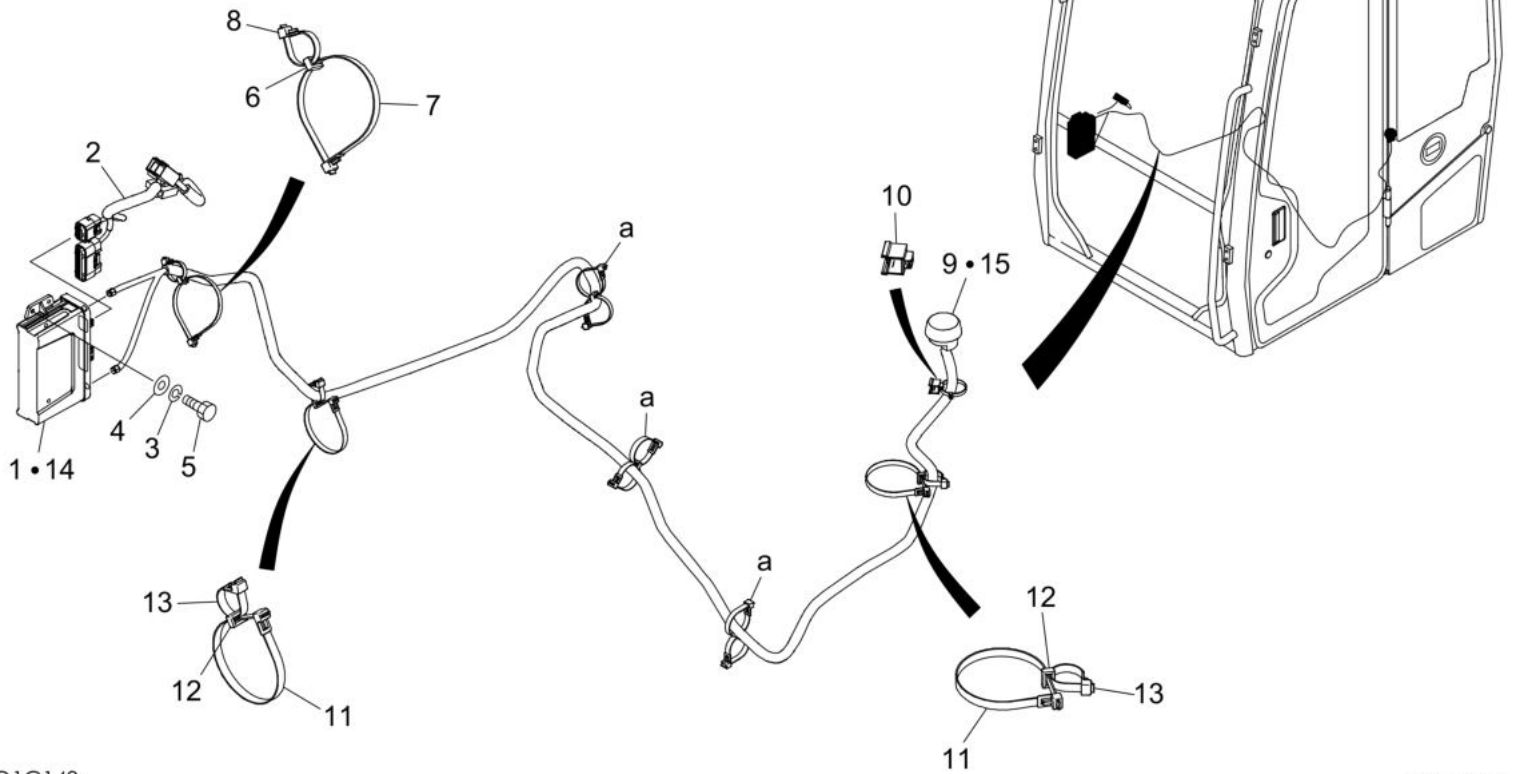
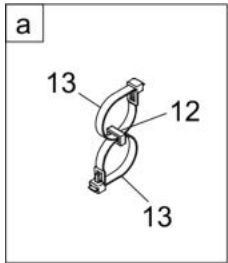


QIC111d

S=1/12, 1/15

Item	Part No.	Name	Qty	Uom	Remarks	SERIAL NUMBER
5	1703500712	HORN	1	EA		126100003~126100521
5	1703500714	HORN	1	EA		126100522~
6	1654629005	TRIM	1	EA	sold by the meter	
7	1654606000	SEAL (SOLD BY THE METER)	2	EA	sold by the meter	
8	1652231250	BAND (1st aux. Proportion)	10	EA		
9	1141110010	WASHER, plain	5	EA		
10	1141110008	WASHER	23	EA		
11	1140330010	WASHER, spring	2	EA		
12	1140020010	WASHER, spring	5	EA		
13	1140020008	WASHER, spring	24	EA		
14	1140020006	WASHER, spring	17	EA		
16	1100041014	BOLT	2	EA		
19	1100050814	BOLT (10TM8 X 14 P/1.25)	1	EA		
21	1100050620	BOLT (10TM6 X 20 P/1.0)	1	EA		
22	0872433150	TUBE	20	EA		
25	0563053250	GROMMET	1	EA		
26	0554200080	GUARD	1	EA		
31	0554200039	PLATE	1	EA		
33	0394203100	SOCKET	1	EA		
36	1141110006	WASHER	17	EA		
37	1652900210	CLAMP	1	EA		
40	1703700013	BUZZER	1	EA		
41	1100050612	BOLT (10TM6 X 12 P/1.0)	2	EA		
42	1700008272	SWITCH, engine stop	1	EA		
44	1711900127	CLAMP	1	EA		
45	1140330008	WASHER	2	EA		
47	1711900076	CLAMP	1	EA		
48	1130240010	NUT	1	EA		
49	1652231140	BAND	1	EA		
50	1100090816	BOLT	9	EA		
52	1652900006	CLAMP	1	EA		
53	1711900105	CLAMP	1	EA		
55	1711900072	CLAMP	2	EA		
59	0554200068	PLATE	1	EA		
61	1711900071	CLAMP	1	EA		
65	1100050616	BOLT (10TM6 X 16 P/1.0)	2	EA		

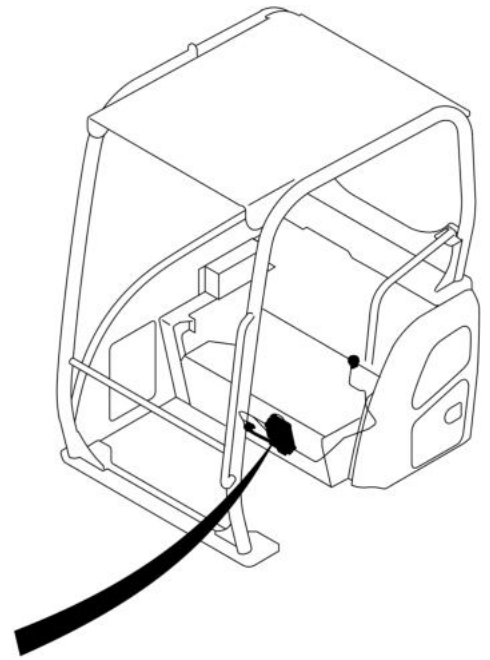
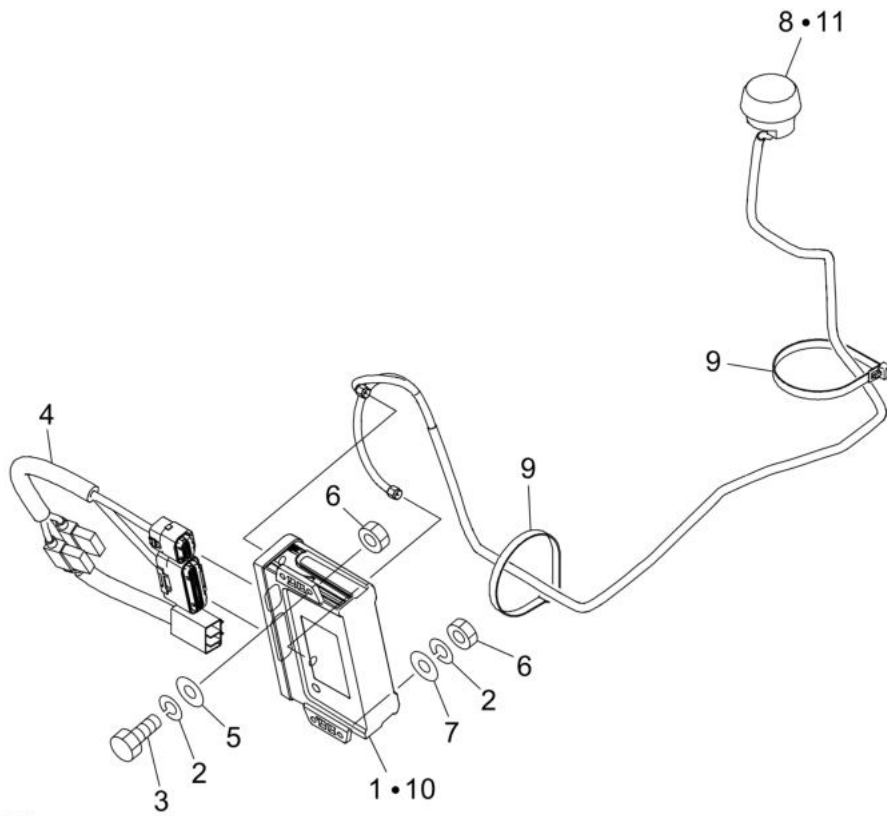
ENGINE & ELECTRICAL SYSTEM GPS DEVICE (cab)



Q1C140

S=1/6.1/10.1/30

Item	Part No.	Name	Qty	Uom	Remarks	SERIAL NUMBER
-	PNNA	GPS ASSY		EA		
0-1	*****	GPS SUB ASSY	1	EA		
1	1730143423	CONTROLLER	1	EA		
2	0664200089	HARNESS, wiring	1	EA		
3	1140020005	WASHER, spring	4	EA		
4	1141110005	WASHER, flat (ZINC) (5MM)	4	EA		
5	1100040516	BOLT	4	EA		
6	1652200010	RING	1	EA		
7	1652231250	BAND (1st aux. Proportion)	1	EA		
8	1652231140	BAND	1	EA		
0-2	*****	GPS ANTENNA ASSY	1	EA		
9	1730143430	ANTENNA (DOME)	1	EA		
10	1652201021	CLIP	1	EA		
11	1652231250	BAND (1st aux. Proportion)	2	EA		
12	1652200010	RING	5	EA		
0-3	1730143920	ZTR KIT, Yanmar	1	EA		
13	1652231140	BAND	8	EA		
14	1730143423	CONTROLLER	1	EA		
15	1730143430	ANTENNA (DOME)	1	EA		

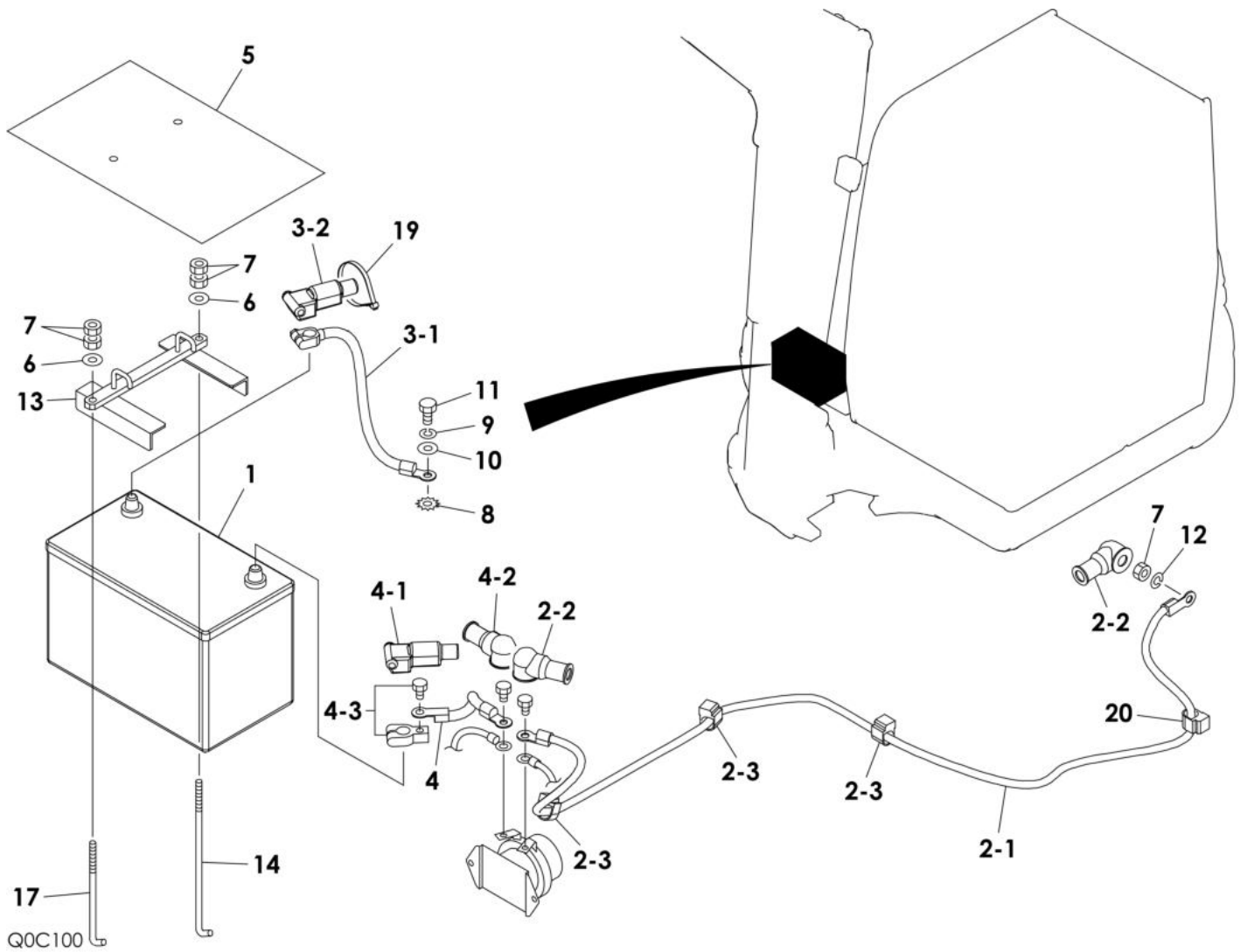


Q1C150

S=1/6.1/30

Item	Part No.	Name	Qty	Uom	Remarks	SERIAL NUMBER
-	PNNA	GPS ASSY		EA		
0-1	*****	GPS SUB ASSY	1	EA		
1	1730143423	CONTROLLER	1	EA		
2	1140020005	WASHER, spring	4	EA		
3	1100040516	BOLT	2	EA		
4	0664200089	HARNES, wiring	1	EA		
5	0003600110	WASHER	2	EA		
6	1130030005	NUT	4	EA		
7	1141110005	WASHER, flat (ZINC) (5MM)	2	EA		
0-2	*****	GPS ANTENNA ASSY	1	EA		
8	1730143430	ANTENNA (DOME)	1	EA		
9	1652231250	BAND (1st aux. Proportion)	2	EA		
0-3	1730143920	ZTR KIT, Yanmar	1	EA		
10	1730143423	CONTROLLER	1	EA		
11	1730143430	ANTENNA (DOME)	1	EA		

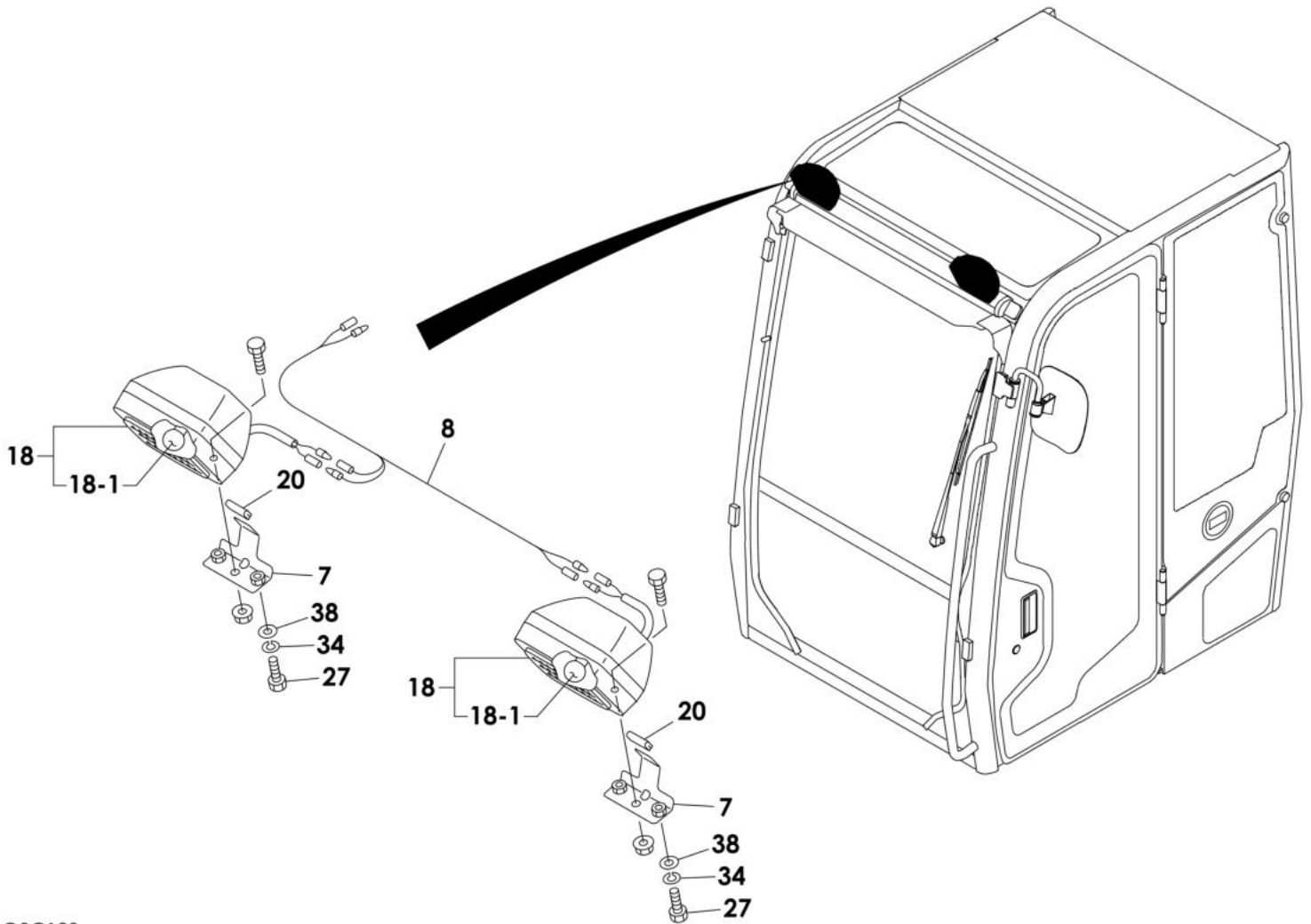
ENGINE & ELECTRICAL SYSTEM BATTERY



S=1/9, 1/30

Item	Part No.	Name	Qty	Uom	Remarks	SERIAL NUMBER
Not Shown	PNNA	BATTERY ASSY		EA		
1	1702051531	BATTERY - NO LONGER AVAILABLE	1	EA		
2	0554400015	CABLE ASSY, battery	1	EA		
2-1	1531325000	PROTECTOR (SOLD BY THE METER)	1	EA		
2-2	1702901283	CAP	2	EA		
2-3	1652900513	CLAMP	3	EA		
3	0554400014	CABLE ASSY, earth	1	EA		
3-1	1702260035	CABLE, earth	1	EA		
3-2	1702920002	COVER (black)	1	EA		
4	0554401050	CABLE ASSY, battery	1	EA		
4-1	1702920060	COVER (red)	1	EA		
4-2	1702901283	CAP	1	EA		
4-3	1702330000	TERMINAL	1	EA		
5	0554400009	COVER	1	EA		
6	1141110008	WASHER	2	EA		
7	1130140008	NUT (polycarbonate type)	5	EA		
8	1140330010	WASHER, spring	1	EA		
9	1140020010	WASHER, spring	1	EA		
10	1141110010	WASHER, plain	1	EA		
11	1100051016	BOLT	1	EA		
12	1140020008	WASHER, spring	1	EA		
13	0554400005	CLAMP	1	EA		
14	1702108260	BOLT	1	EA		
17	1702108160	BOLT	1	EA		
19	1652231140	BAND	1	EA		
20	1652900513	CLAMP	1	EA		

ENGINE & ELECTRICAL SYSTEM CAB LIGHT

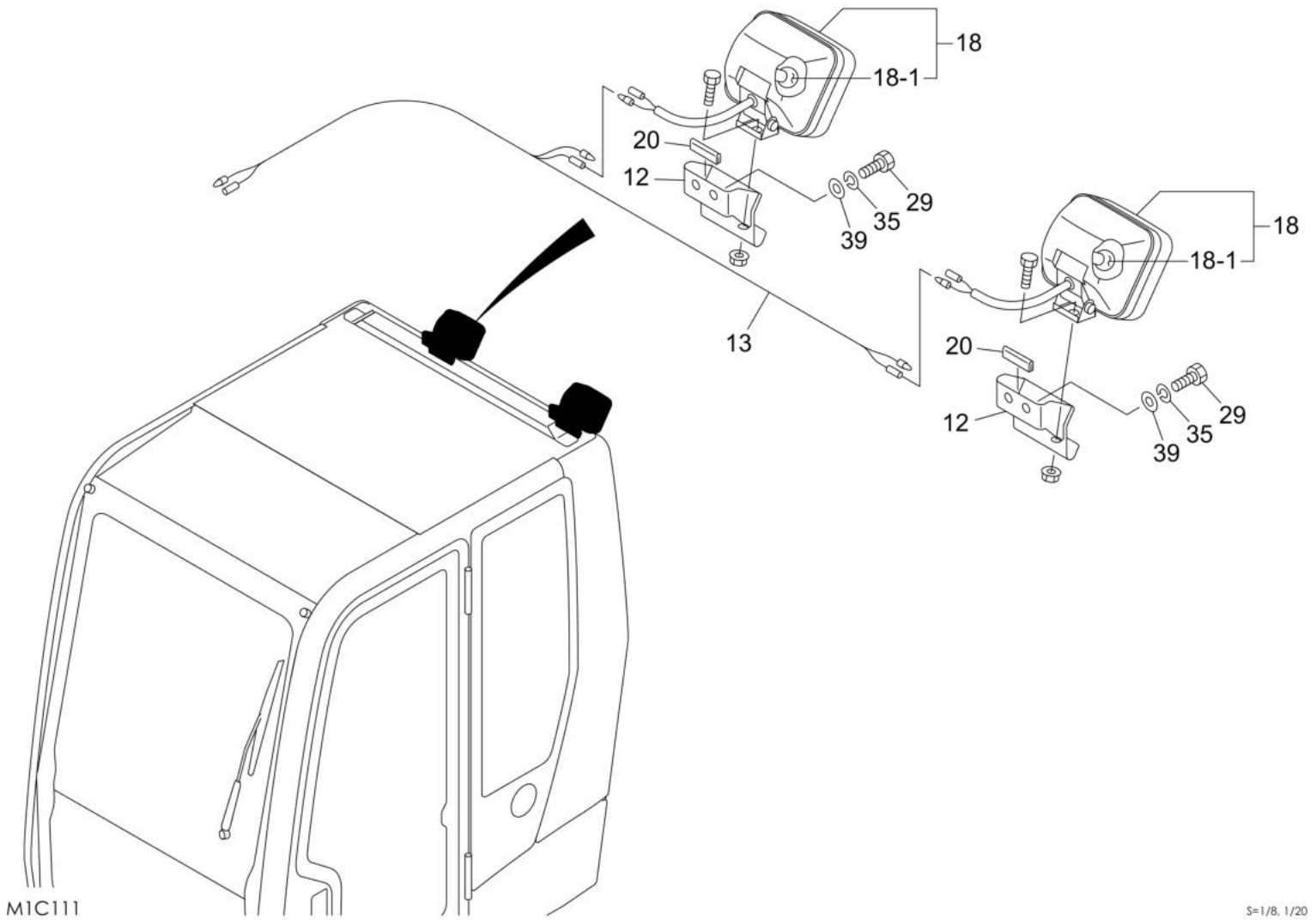


Q0C120

S=1/8, 1/20

Item	Part No.	Name	Qty	Uom	Remarks	SERIAL NUMBER
Not Shown	PNNA	LIGHT ASSY, cab (12V)		EA		
7	0568662610	BRACKET	2	EA		
8	0568662620	HARNESS	1	EA		
18	1703002700	LAMP ASSY (BOOM/REAR)	2	EA	12V	
18-1	1703002700	LAMP ASSY (BOOM/REAR)	1	EA		
20	1654628003	TRIM	2	EA	sold by the meter	
27	1100050820	BOLT (10TM8 X 20 P/1.25)	4	EA		
34	1140020008	WASHER, spring	4	EA		
38	1141110008	WASHER	4	EA		

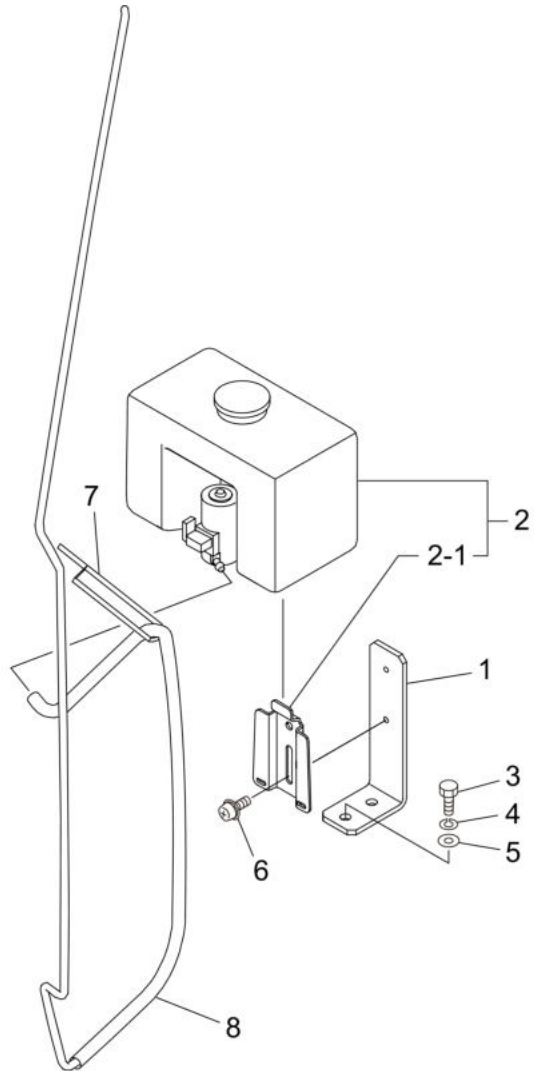
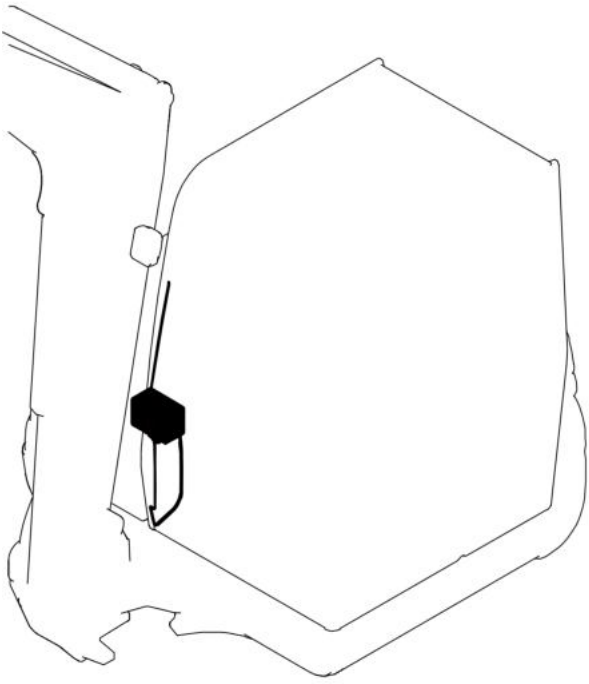
ENGINE & ELECTRICAL SYSTEM REAR LIGHT



MIC111

S=1/8, 1/20

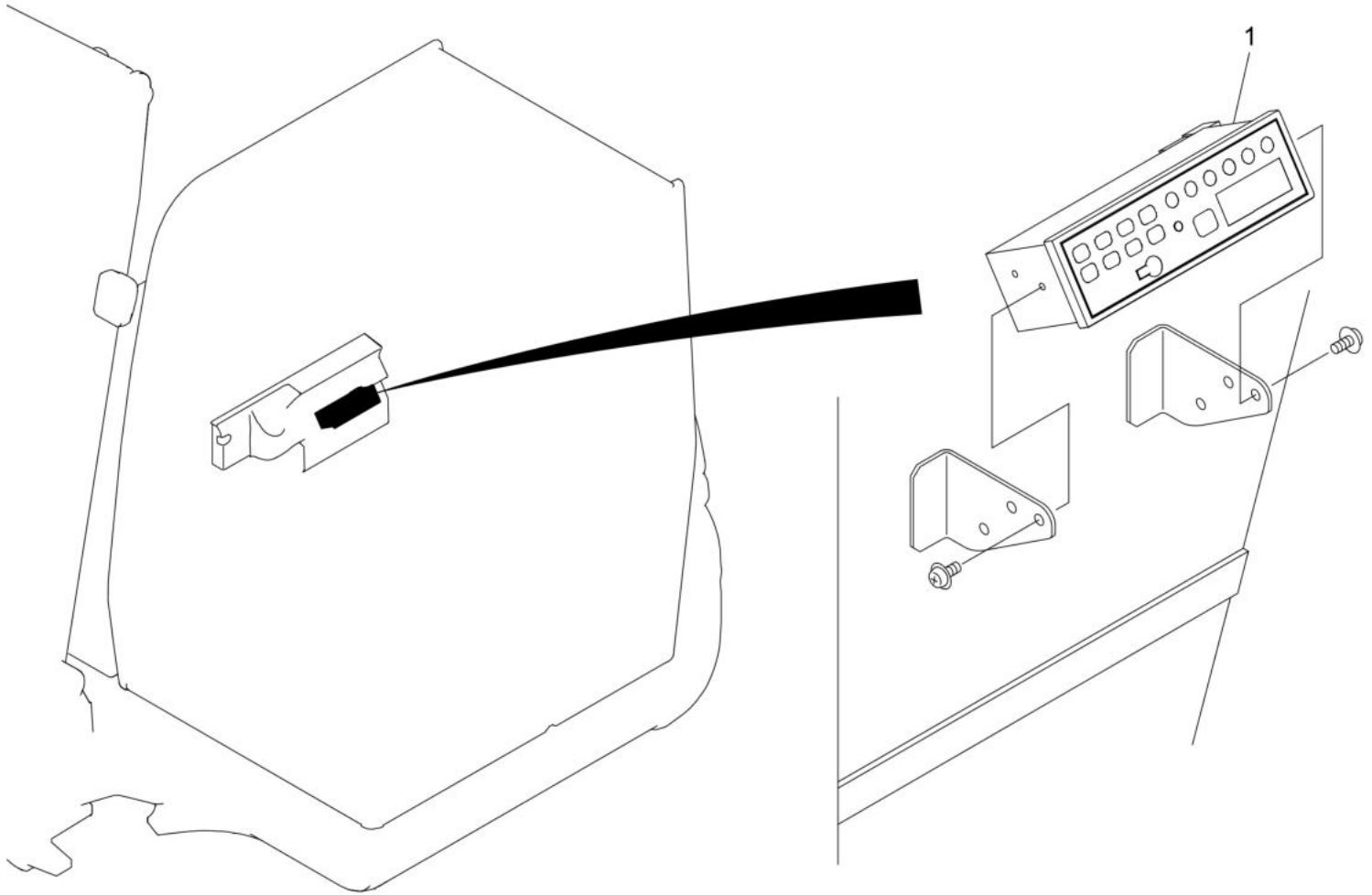
Item	Part No.	Name	Qty	Uom	Remarks	SERIAL NUMBER
-	PNNA	LIGHT ASSY, rear (12V)		EA		
12	0568662810	BRACKET	2	EA		
13	0568662820	HARNESS	1	EA		
18	1703005500	LAMP ASSY (BOOM/REAR)	2	EA	12V	
18-1	1703005506	BULB	1	EA		
20	1654628003	TRIM	2	EA	sold by the meter	
29	1100051025	BOLT (10TM10 X 25 P/1.5)	4	EA		
35	1140020010	WASHER, spring	4	EA		
39	1141110010	WASHER, plain	4	EA		



Q0C071

S=1/6, 1/30

Item	Part No.	Name	Qty	Uom	Remarks	SERIAL NUMBER
-	PNNA	WASHER ASSY, window		EA		
1	0558900003	BRACKET	1	EA		
2	1711910290	TANK (SEE #1711910290TO FOR REDUCED PRICE)	1	EA		
2-1	1711910291	BRACKET	1	EA		
3	1100050820	BOLT (10TM8 X 20 P/1.25)	2	EA		
4	1140020008	WASHER, spring	2	EA		
5	1141110008	WASHER	2	EA		
6	1150410612	BOLT, sems	2	EA		
7	1652231140	BAND	1	EA		
8	1703210760	PROTECTOR	1	EA	sold by the meter	

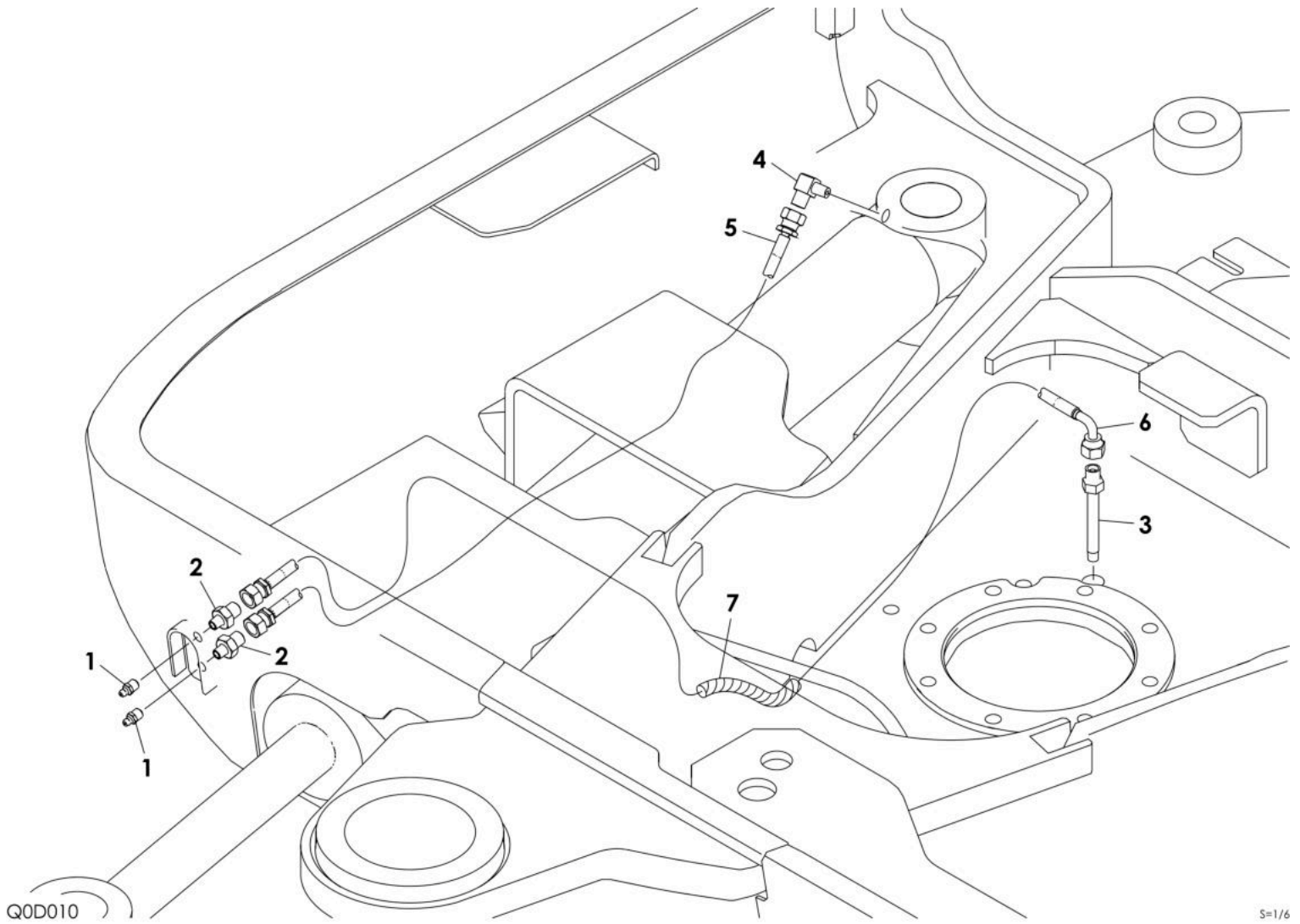


Q0C110

S=1/4, 1/20

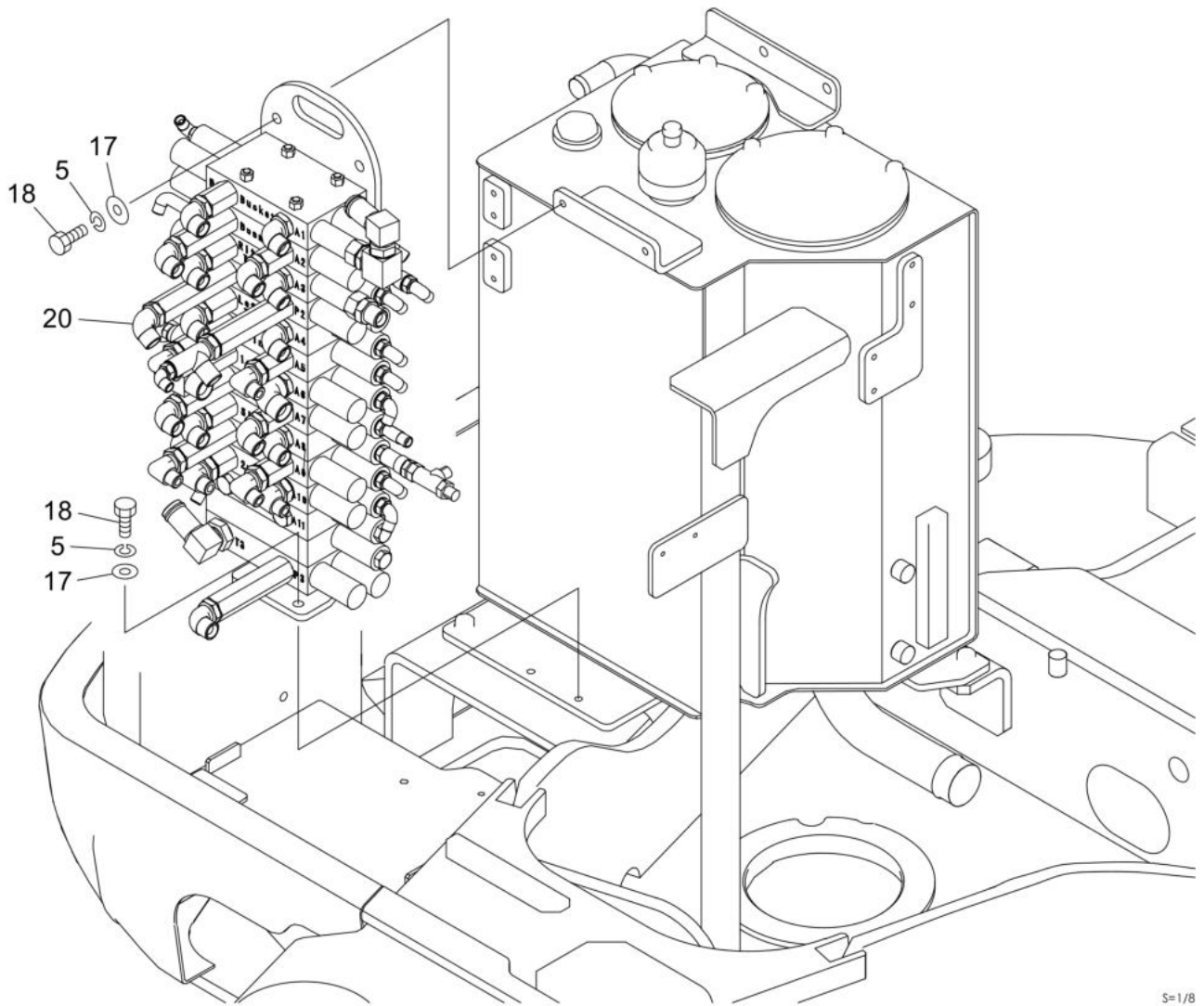
Item	Part No.	Name	Qty	Uom	Remarks	SERIAL NUMBER
-	PNNA	RADIO ASSY (for America)		EA		
1	1705004820	RADIO AM/FM (FOR U.S)	1	EA	for America	

HYDRAULIC PIPING & TANK GREASE PIPING



Item	Part No.	Name	Qty	Uom	Remarks	SERIAL NUMBER
Not Shown	PNNA	PIPING ASSY, grease		EA		
1	1560001000	FITTING, grease	2	EA		
2	0007203048	ADAPTOR	2	EA		
3	0552400002	FITTING	1	EA		
4	1511150201	ELBOW	1	EA		
5	1934722095	HOSE ASSY	1	EA		
6	1934752145	HOSE ASSY	1	EA		
7	1532212020	PROTECTOR	1	EA	sold by the meter	

HYDRAULIC PIPING & TANK VALVE & ACCESSORIES (1/2) (3rd aux. line plug type) 1

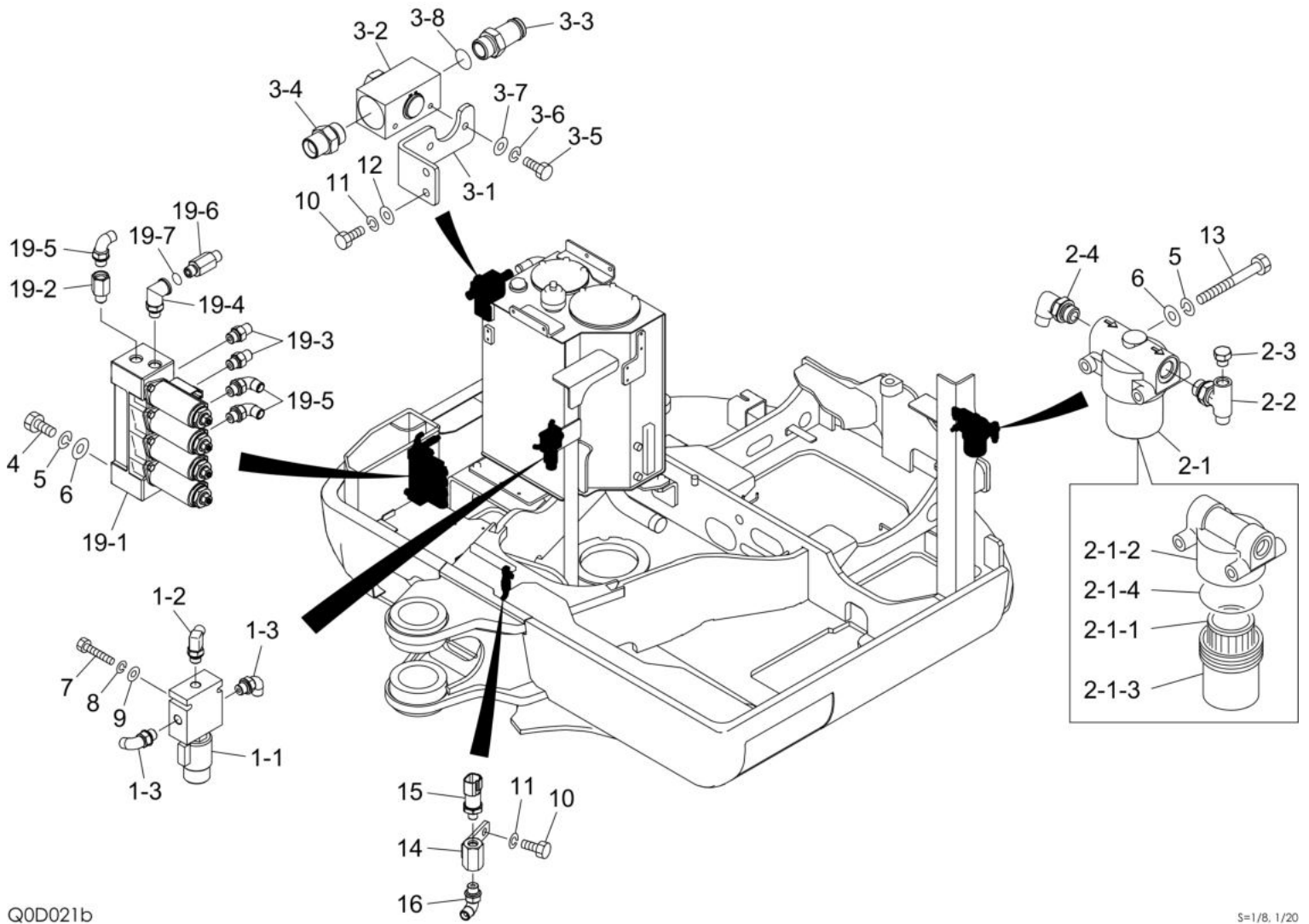


Q0D021a

S=1/8

Item	Part No.	Name	Qty	Uom	Remarks	SERIAL NUMBER
-	PNNA	VALVE ASSY, control		EA		
5	1140020010	WASHER, spring	8	EA		
17	0003600025	WASHER	4	EA		
18	1100051025	BOLT (10TM10 X 25 P/1.5)	4	EA		
20	*****	VALVE SUB ASSY, control	1	EA	see page (2/2)	

HYDRAULIC PIPING & TANK VALVE & ACCESSORIES (1/2) (3rd aux. line plug type) 2



Q0D021b

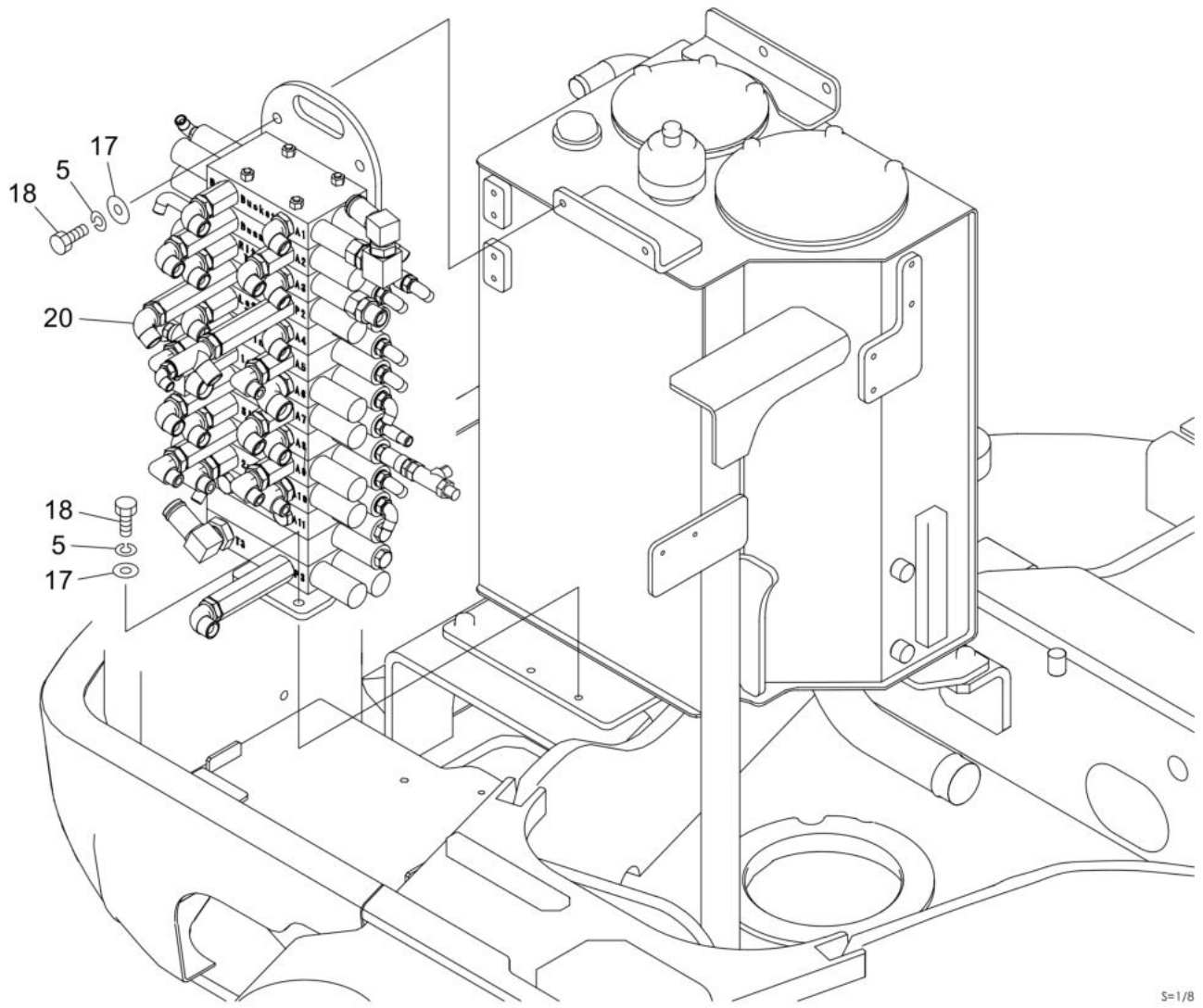
S=1/8, 1/20

Item	Part No.	Name	Qty	Uom	Remarks	SERIAL NUMBER
-	PNNA	VALVE ASSY, control		EA		
1	*****	VALVE ASSY, solenoid	1	EA		
1-1	1901764200	VALVE ASSY, solenoid	1	EA		
1-2	0575002030	ELBOW	1	EA		
1-2	1420010110	O-RING	1	EA		
1-3	1515012040	ELBOW	2	EA		
1-3	1420010110	O-RING	1	EA		
2	*****	FILTER ASSY	1	EA		
2-1	1551200600	FILTER	1	EA		
2-1-1	1551200601	ELEMENT	1	EA		
2-1-2	1551200602	COVER, head	1	EA		
2-1-3	1551200603	CASE	1	EA		
2-1-4	1551200604	O-RING	1	EA		
2-2	1512350003	ELBOW	1	EA		
2-2	1420010180	O-RING	1	EA		
2-3	1501750002	PLUG (FOR O-RING USE # 1420010110)	1	EA		
2-3	1420010110	O-RING	1	EA		
2-4	1515010051	ELBOW	1	EA		
2-4	1420010180	O-RING	1	EA		
3	*****	VALVE ASSY, stop	1	EA		
3-1	0555002370	BRACKET	1	EA		
3-2	1901723700	VALVE, stop	1	EA		
3-3	0007223005	NIPPLE	1	EA		
3-4	1515600203	ADAPTOR	1	EA		
3-4	1420010240	O-RING	1	EA		
3-5	1100050820	BOLT (10TM8 X 20 P/1.25)	2	EA		
3-6	1140020008	WASHER, spring	2	EA		
3-7	1141110008	WASHER	2	EA		
3-8	1420010240	O-RING	1	EA		
4	1100051020	BOLT (10TM10 X 20 P/1.5)	2	EA		
5	1140020010	WASHER, spring	8	EA		
6	1141110010	WASHER, plain	4	EA		
7	1100040640	BOLT	2	EA		
8	1140020006	WASHER, spring	2	EA		
9	1141110006	WASHER	2	EA		
10	1100090816	BOLT	4	EA		
11	1140020008	WASHER, spring	4	EA		
12	1141110008	WASHER	2	EA		

This page intentionally left blank

Item	Part No.	Name	Qty	Uom	Remarks	SERIAL NUMBER
13	1100141000	BOLT	2	EA		
14	0565068210	BUSHING	1	EA		
15	1700100126	TRANSMITTER, pressure	1	EA		
16	1515012040	ELBOW	1	EA		
16	1420010110	O-RING	1	EA		
19	*****	VALVE ASSY, solenoid	1	EA		
19-1	1901762400	SOLENOID	1	EA		
19-2	1513370046	BUSHING (with filter)	1	EA		
19-2	1420010110	O-RING	1	EA		
19-3	1515600200	ADAPTOR	2	EA		
19-3	1420010110	O-RING	1	EA		
19-4	1513300022	ELBOW	1	EA		
19-4	1420010110	O-RING	1	EA		
19-5	1515012040	ELBOW	3	EA		
19-5	1420010110	O-RING	1	EA		
19-6	0007203034	ADAPTOR	1	EA		
19-7	1420010110	O-RING	1	EA		

HYDRAULIC PIPING & TANK VALVE & ACCESSORIES (1/2) (3rd aux. line plug type & with auto tank) 1

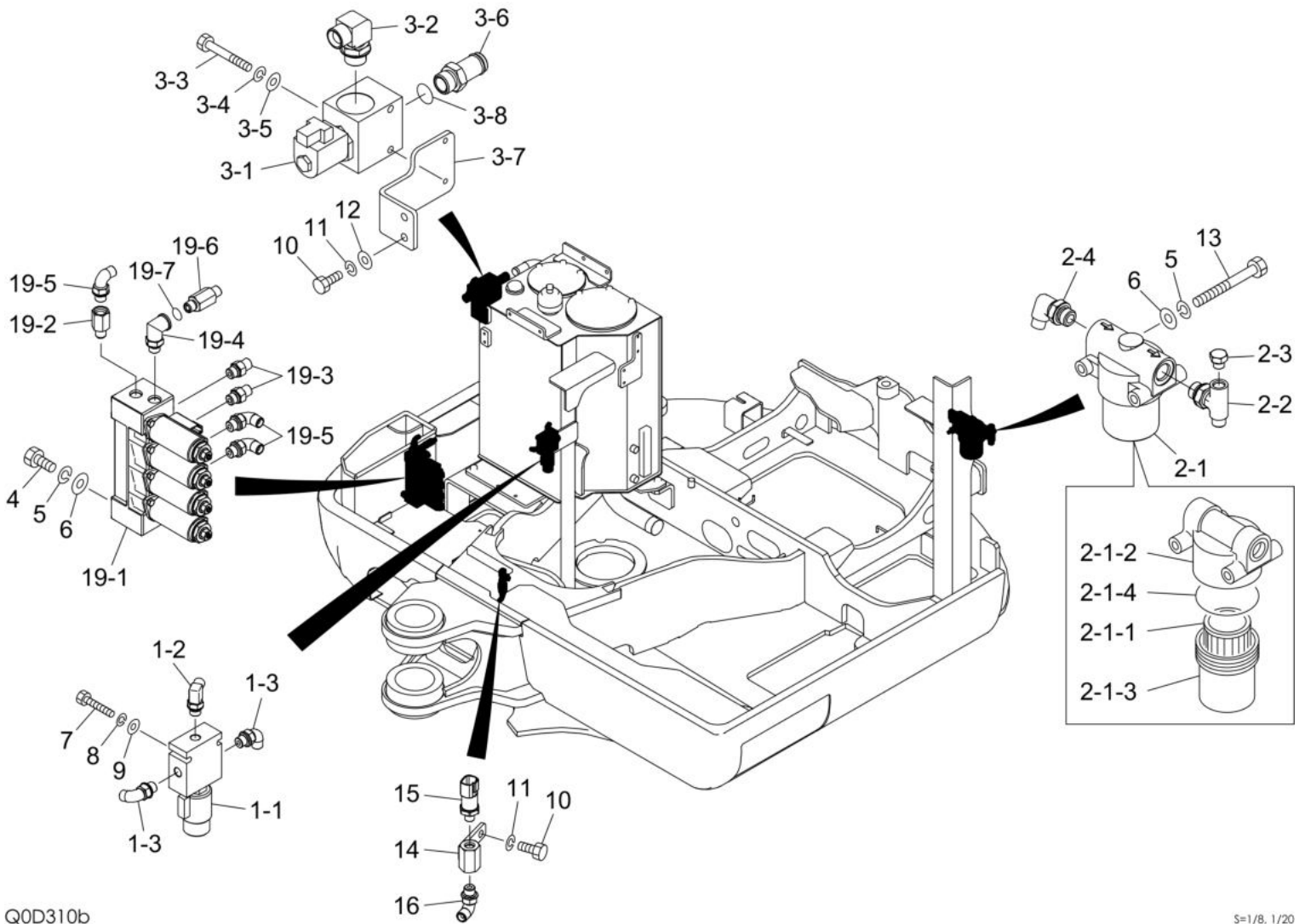


Q0D021a

S=1/8

Item	Part No.	Name	Qty	Uom	Remarks	SERIAL NUMBER
-	PNNA	VALVE ASSY, control		EA		
5	1140020010	WASHER, spring	8	EA		
17	0003600025	WASHER	4	EA		
18	1100051025	BOLT (10TM10 X 25 P/1.5)	4	EA		
20	*****	VALVE SUB ASSY, control	1	EA	see page (2/2)	

HYDRAULIC PIPING & TANK VALVE & ACCESSORIES (1/2) (3rd aux. line plug type & with auto tank) 2



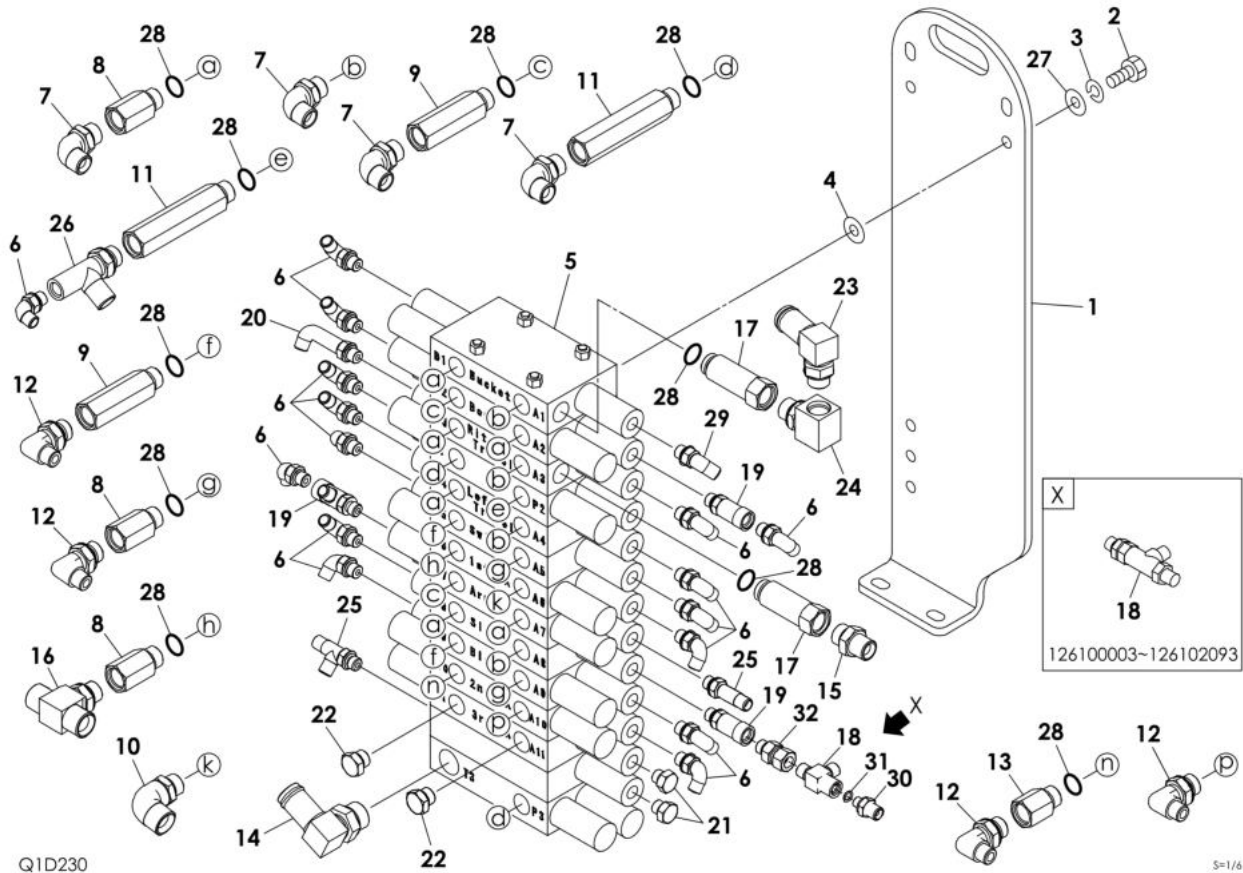
Item	Part No.	Name	Qty	Uom	Remarks	SERIAL NUMBER
-	PNNA	VALVE ASSY, control		EA		
1	*****	VALVE ASSY, solenoid	1	EA		
1-1	1901764200	VALVE ASSY, solenoid	1	EA		
1-2	0575002030	ELBOW	1	EA		
1-2	1420010110	O-RING	1	EA		
1-3	1515012040	ELBOW	2	EA		
1-3	1420010110	O-RING	1	EA		
2	*****	FILTER ASSY	1	EA		
2-1	1551200600	FILTER	1	EA		
2-1-1	1551200601	ELEMENT	1	EA		
2-1-2	1551200602	COVER, head	1	EA		
2-1-3	1551200603	CASE	1	EA		
2-1-4	1551200604	O-RING	1	EA		
2-2	1512350003	ELBOW	1	EA		
2-2	1420010180	O-RING	1	EA		
2-3	1501750002	PLUG (FOR O-RING USE # 1420010110)	1	EA		
2-3	1420010110	O-RING	1	EA		
2-4	1515010051	ELBOW	1	EA		
2-4	1420010180	O-RING	1	EA		
3	*****	VALVE ASSY, stop	1	EA		
3-1	1901763700	VALVE ASSY, solenoid	1	EA		
3-2	1515010043	ELBOW	1	EA		
3-2	1420010240	O-RING	1	EA		
3-3	1100050870	BOLT (10TM8 X 70 P/1.25)	2	EA		
3-4	1140020008	WASHER, spring	2	EA		
3-5	1141110008	WASHER	2	EA		
3-6	0007223005	NIPPLE	1	EA		
3-7	0555002270	BRACKET	1	EA		
3-8	1420010240	O-RING	1	EA		
4	1100051020	BOLT (10TM10 X 20 P/1.5)	2	EA		
5	1140020010	WASHER, spring	8	EA		
6	1141110010	WASHER, plain	4	EA		
7	1100040640	BOLT	2	EA		
8	1140020006	WASHER, spring	2	EA		
9	1141110006	WASHER	2	EA		
10	1100090816	BOLT	4	EA		
11	1140020008	WASHER, spring	4	EA		
12	1141110008	WASHER	2	EA		

This page intentionally left blank

Item	Part No.	Name	Qty	Uom	Remarks	SERIAL NUMBER
13	1100141000	BOLT	2	EA		
14	0565068210	BUSHING	1	EA		
15	1700100126	TRANSMITTER, pressure	1	EA		
16	1515012040	ELBOW	1	EA		
16	1420010110	O-RING	1	EA		
19	*****	VALVE ASSY, solenoid	1	EA		
19-1	1901762400	SOLENOID	1	EA		
19-2	1513370046	BUSHING (with filter)	1	EA		
19-2	1420010110	O-RING	1	EA		
19-3	1515600200	ADAPTOR	2	EA		
19-3	1420010110	O-RING	1	EA		
19-4	1513300022	ELBOW	1	EA		
19-4	1420010110	O-RING	1	EA		
19-5	1515012040	ELBOW	3	EA		
19-5	1420010110	O-RING	1	EA		
19-6	0007203034	ADAPTOR	1	EA		
19-7	1420010110	O-RING	1	EA		

HYDRAULIC PIPING & TANK VALVE & ACCESSORIES (2/2) (3rd aux. line plug type)

NOTE: "a" is interchangeable with SET "A"

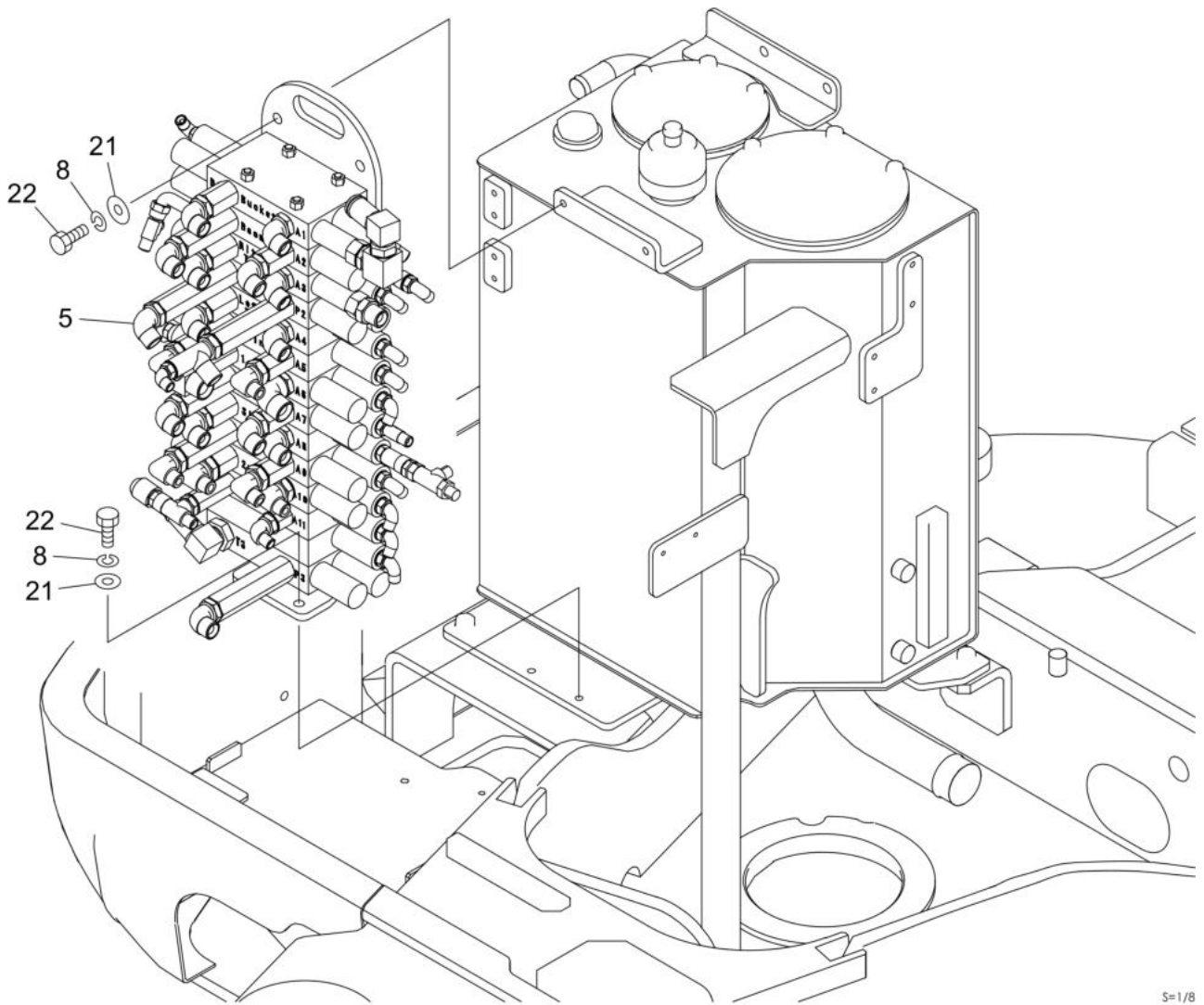


Item	Part No.	Name	Qty	Uom	Remarks	SERIAL NUMBER
0-1	*****	VALVE SUB ASSY, control	1	EA		
1	0555002220	BRACKET	1	EA		
2	1100051025	BOLT (10TM10 X 25 P/1.5)	3	EA		
3	1140020010	WASHER, spring	3	EA		
4	1141550010	WASHER	3	EA		
5	1901051700	VALVE, control	1	EA		
6	1515012040	ELBOW	16	EA		
6	1420010110	O-RING	1	EA		
7	1515012042	ELBOW	14	EA		
7	1420010180	O-RING	1	EA		
8	0007213011	BUSHING	9	EA		
9	0007213013	ADAPTOR	4	EA		
10	1515010132	ELBOW	1	EA		
10	1420010180	O-RING	1	EA		
11	0007213025	ADAPTOR	3	EA		
12	1515010051	ELBOW	6	EA		
12	1420010180	O-RING	1	EA		
13	0007213010	BUSHING (CONNECTOR)	1	EA		
14	1513350005	CONNECTOR	1	EA		
14	1420010240	O-RING	1	EA		
15	1515600202	ADAPTOR	1	EA		
15	1420010180	O-RING	1	EA		
16	1512374016	TEE	1	EA		
16	1420010180	O-RING	1	EA		
17	0007213073	BUSHING	2	EA		
18	*****	VALVE, shuttle	1	EA	a	126100003~126102093
18	1420010110	O-RING	1	EA		126100003~126102093
18	1901768700	VALVE, shuttle	1	EA	A	126102094~
19	1512340001	ELBOW	3	EA		
19	1420010110	O-RING	1	EA		
20	1515012510	ELBOW	1	EA		
20	1420010110	O-RING	1	EA		
21	1501750002	PLUG (FOR O-RING USE # 1420010110)	2	EA		
21	1420010110	O-RING	1	EA		
22	1501750003	PLUG	2	EA		
22	1420010140	O-RING	1	EA		
23	1513350006	ADAPTOR	1	EA		
23	1420010180	O-RING	1	EA		

This page intentionally left blank

Item	Part No.	Name	Qty	Uom	Remarks	SERIAL NUMBER
24	1513300016	ELBOW	1	EA		
24	1420010180	O-RING	1	EA		
25	1512370011	TEE	2	EA		
25	1420010110	O-RING	1	EA		
26	1512340004	ADAPTOR, elbow	1	EA		
26	1420010180	O-RING	1	EA		
27	1141110010	WASHER, plain	1	EA		
28	1420010180	O-RING	19	EA		
29	1515102110	ELBOW	1	EA		
29	1420010110	O-RING	1	EA		
30	0007203059	NIPPLE	1	EA	A	126102094~
31	1420010080	O-RING	1	EA	A	126102094~
32	1511410002	ADAPTOR	1	EA	A	126102094~
32	1420010110	O-RING	1	EA		126102094~

HYDRAULIC PIPING & TANK VALVE & ACCESSORIES (1/2) (with 3rd aux. line) 1

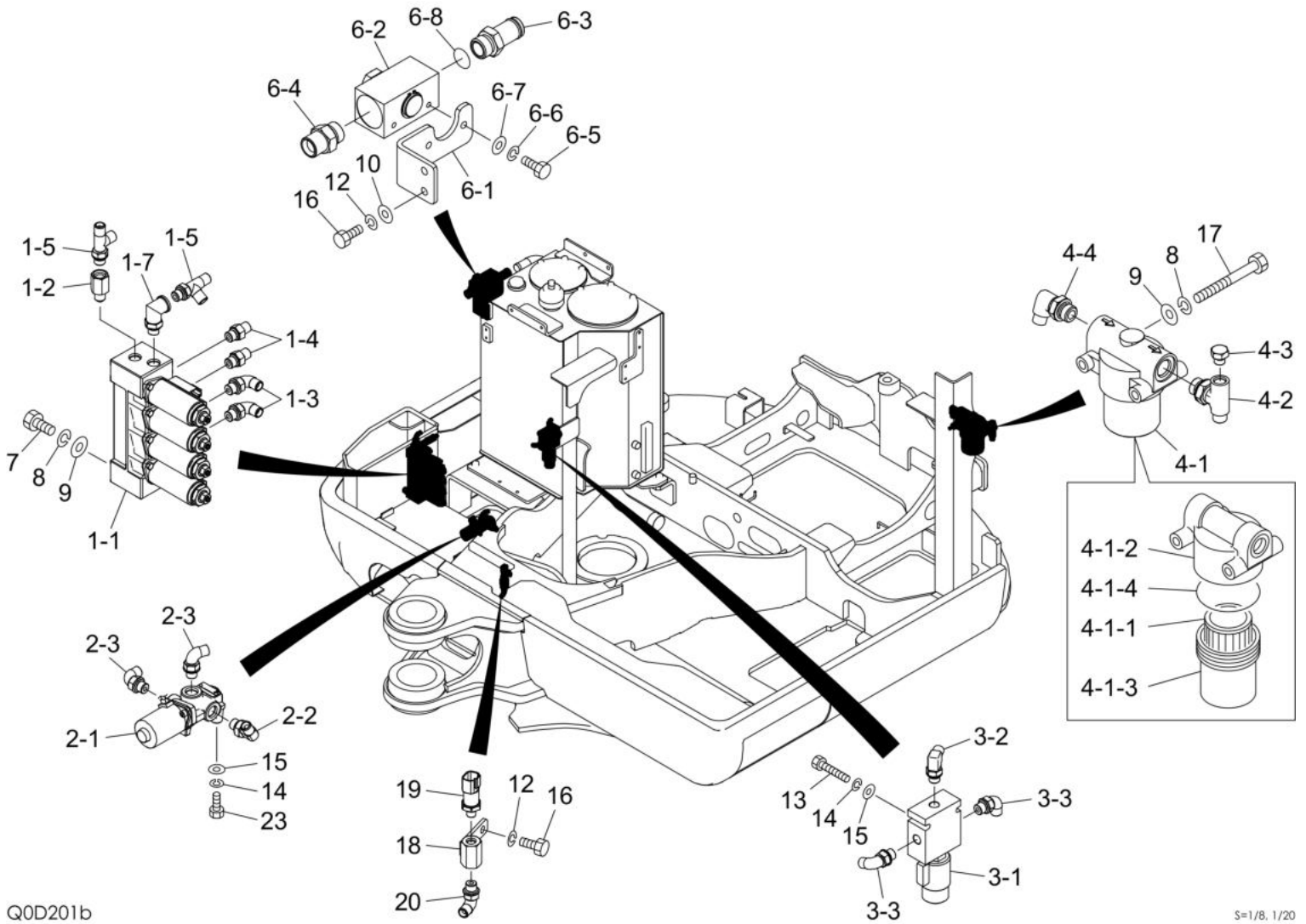


Q0D201a

S=1/8

Item	Part No.	Name	Qty	Uom	Remarks	SERIAL NUMBER
-	PNNA	VALVE ASSY, control		EA		
5	*****	VALVE SUB ASSY, control	1	EA	see page (2/2)	
8	1140020010	WASHER, spring	8	EA		
21	0003600025	WASHER	4	EA		
22	1100051025	BOLT (10TM10 X 25 P/1.5)	4	EA		

HYDRAULIC PIPING & TANK VALVE & ACCESSORIES (1/2) (with 3rd aux. line) 2



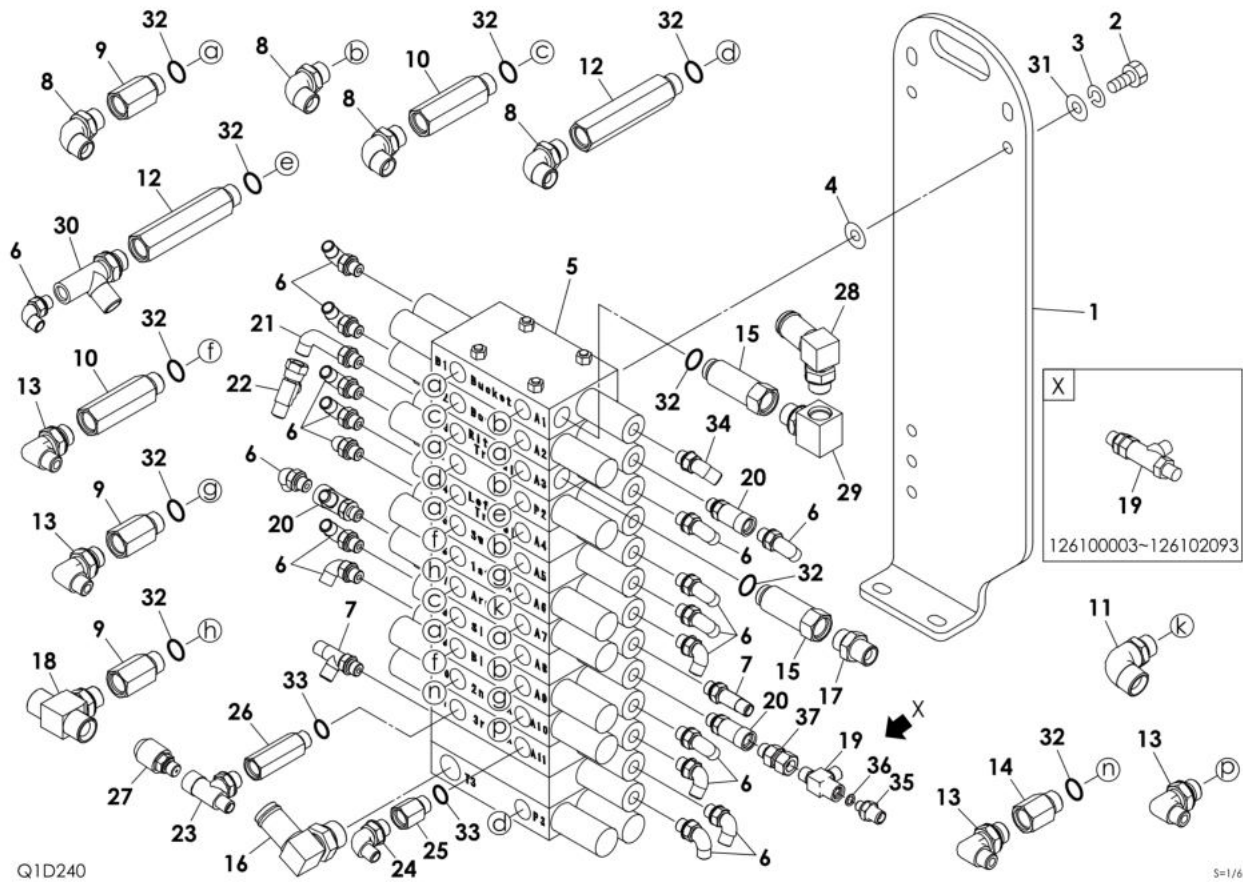
Item	Part No.	Name	Qty	Uom	Remarks	SERIAL NUMBER
Not Shown	-	TB180FR THUMB		EA		
1	*****	VALVE ASSY, solenoid	1	EA		
1-1	1901762400	SOLENOID	1	EA		
1-2	1513370046	BUSHING (with filter)	1	EA		
1-2	1420010110	O-RING	1	EA		
1-3	1515012040	ELBOW	2	EA		
1-3	1420010110	O-RING	1	EA		
1-4	1515600200	ADAPTOR	2	EA		
1-4	1420010110	O-RING	1	EA		
1-5	1512370011	TEE	2	EA		
1-5	1420010110	O-RING	1	EA		
1-7	1513300022	ELBOW	1	EA		
1-7	1420010110	O-RING	1	EA		
2	*****	VALVE ASSY, solenoid	1	EA		
2-1	1901756100	VALVE ASSY, solenoid	1	EA		
2-2	1512375004	ELBOW (with filter)	1	EA		
2-2	1420010110	O-RING	1	EA		
2-3	1515012040	ELBOW	2	EA		
2-3	1420010110	O-RING	1	EA		
3	*****	VALVE ASSY, solenoid	1	EA		
3-1	1901764200	VALVE ASSY, solenoid	1	EA		
3-2	0575002030	ELBOW	1	EA		
3-2	1420010110	O-RING	1	EA		
3-3	1515012040	ELBOW	2	EA		
3-3	1420010110	O-RING	1	EA		
4	*****	FILTER ASSY	1	EA		
4-1	1551200600	FILTER	1	EA		
4-1-1	1551200601	ELEMENT	1	EA		
4-1-2	1551200602	COVER, head	1	EA		
4-1-3	1551200603	CASE	1	EA		
4-1-4	1551200604	O-RING	1	EA		
4-2	1512350003	ELBOW	1	EA		
4-2	1420010180	O-RING	1	EA		
4-3	1501750002	PLUG (FOR O-RING USE # 1420010110)	1	EA		
4-3	1420010110	O-RING	1	EA		
4-4	1515010051	ELBOW	1	EA		
4-4	1420010180	O-RING	1	EA		
6	*****	VALVE ASSY, stop	1	EA		

This page intentionally left blank

Item	Part No.	Name	Qty	Uom	Remarks	SERIAL NUMBER
6-1	0555002370	BRACKET	1	EA		
6-2	1901723700	VALVE, stop	1	EA		
6-3	0007223005	NIPPLE	1	EA		
6-4	1515600203	ADAPTOR	1	EA		
6-4	1420010240	O-RING	1	EA		
6-5	1100050820	BOLT (10TM8 X 20 P/1.25)	2	EA		
6-6	1140020008	WASHER, spring	2	EA		
6-7	1141110008	WASHER	2	EA		
6-8	1420010240	O-RING	1	EA		
7	1100051020	BOLT (10TM10 X 20 P/1.5)	2	EA		
8	1140020010	WASHER, spring	8	EA		
9	1141110010	WASHER, plain	4	EA		
10	1141110008	WASHER	2	EA		
12	1140020008	WASHER, spring	4	EA		
13	1100040640	BOLT	2	EA		
14	1140020006	WASHER, spring	4	EA		
15	1141110006	WASHER	4	EA		
16	1100090816	BOLT	4	EA		
17	1100141000	BOLT	2	EA		
18	0565068210	BUSHING	1	EA		
19	1700100126	TRANSMITTER, pressure	1	EA		
20	1515012040	ELBOW	1	EA		
20	1420010110	O-RING	1	EA		
23	1100050620	BOLT (10TM6 X 20 P/1.0)	2	EA		

HYDRAULIC PIPING & TANK VALVE & ACCESSORIES (2/2) (with 3rd aux. line)

NOTE: "a" is interchangeable with SET "A"

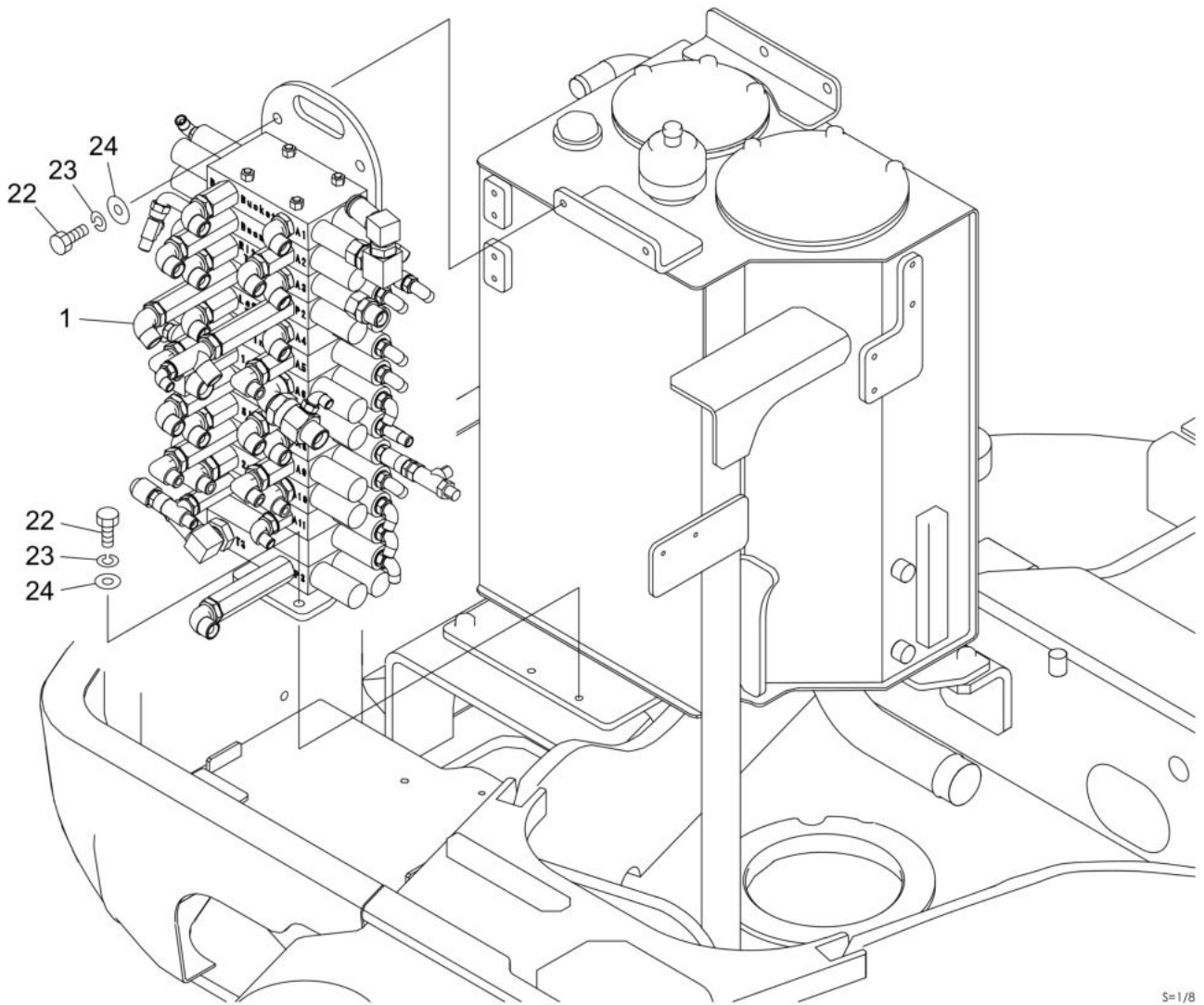


Item	Part No.	Name	Qty	Uom	Remarks	SERIAL NUMBER
0-1	*****	VALVE SUB ASSY, control	1	EA		
1	0555002220	BRACKET	1	EA		
2	1100051025	BOLT (10TM10 X 25 P/1.5)	3	EA		
3	1140020010	WASHER, spring	3	EA		
4	1141550010	WASHER	3	EA		
5	1901051700	VALVE, control	1	EA		
6	1515012040	ELBOW	18	EA		
6	1420010110	O-RING	1	EA		
7	1512370011	TEE	2	EA		
7	1420010110	O-RING	1	EA		
8	1515012042	ELBOW	14	EA		
8	1420010180	O-RING	1	EA		
9	0007213011	BUSHING	9	EA		
10	0007213013	ADAPTOR	4	EA		
11	1515010132	ELBOW	1	EA		
11	1420010180	O-RING	1	EA		
12	0007213025	ADAPTOR	3	EA		
13	1515010051	ELBOW	6	EA		
13	1420010180	O-RING	1	EA		
14	0007213010	BUSHING (CONNECTOR)	1	EA		
15	0007213073	BUSHING	2	EA		
16	1513350005	CONNECTOR	1	EA		
16	1420010240	O-RING	1	EA		
17	1515600202	ADAPTOR	1	EA		
17	1420010180	O-RING	1	EA		
18	1512374016	TEE	1	EA		
18	1420010180	O-RING	1	EA		
19	*****	VALVE, shuttle	1	EA	a	126100003~126102093
19	1420010110	O-RING	1	EA		126100003~126102093
19	1901768700	VALVE, shuttle	1	EA	A	126102094~
20	1512340001	ELBOW	3	EA		
20	1420010110	O-RING	1	EA		
21	1515012510	ELBOW	1	EA		
21	1420010110	O-RING	1	EA		
22	1513390015	TEE (with boom+arm shut-off valve)	1	EA		
23	1513390046	TEE	1	EA		
23	1420010140	O-RING	1	EA		
24	1515010050	ELBOW	1	EA		

This page intentionally left blank

Item	Part No.	Name	Qty	Uom	Remarks	SERIAL NUMBER
24	1420010140	O-RING	1	EA		
25	0007213023	ADAPTOR (CAN USE IN TB014/TB016)	1	EA		
25	1420010140	O-RING	1	EA		
26	0007213014	BUSHING	1	EA		
27	1700100065	SWITCH, pressure	1	EA		
27	1420010110	O-RING	1	EA		
28	1513350006	ADAPTOR	1	EA		
28	1420010180	O-RING	1	EA		
29	1513300016	ELBOW	1	EA		
29	1420010180	O-RING	1	EA		
30	1512340004	ADAPTOR, elbow	1	EA		
30	1420010180	O-RING	1	EA		
31	1141110010	WASHER, plain	3	EA		
32	1420010180	O-RING	19	EA		
33	1420010140	O-RING	2	EA		
34	1515102110	ELBOW	1	EA		
34	1420010110	O-RING	1	EA		
35	0007203059	NIPPLE	1	EA	A	126102094~
36	1420010080	O-RING	1	EA	A	126102094~
37	1511410002	ADAPTOR	1	EA	A	126102094~
37	1420010110	O-RING	1	EA		126102094~

HYDRAULIC PIPING & TANK VALVE & ACCESSORIES (1/2) (with 4th aux. line, auto tank & auto pressure release) 1

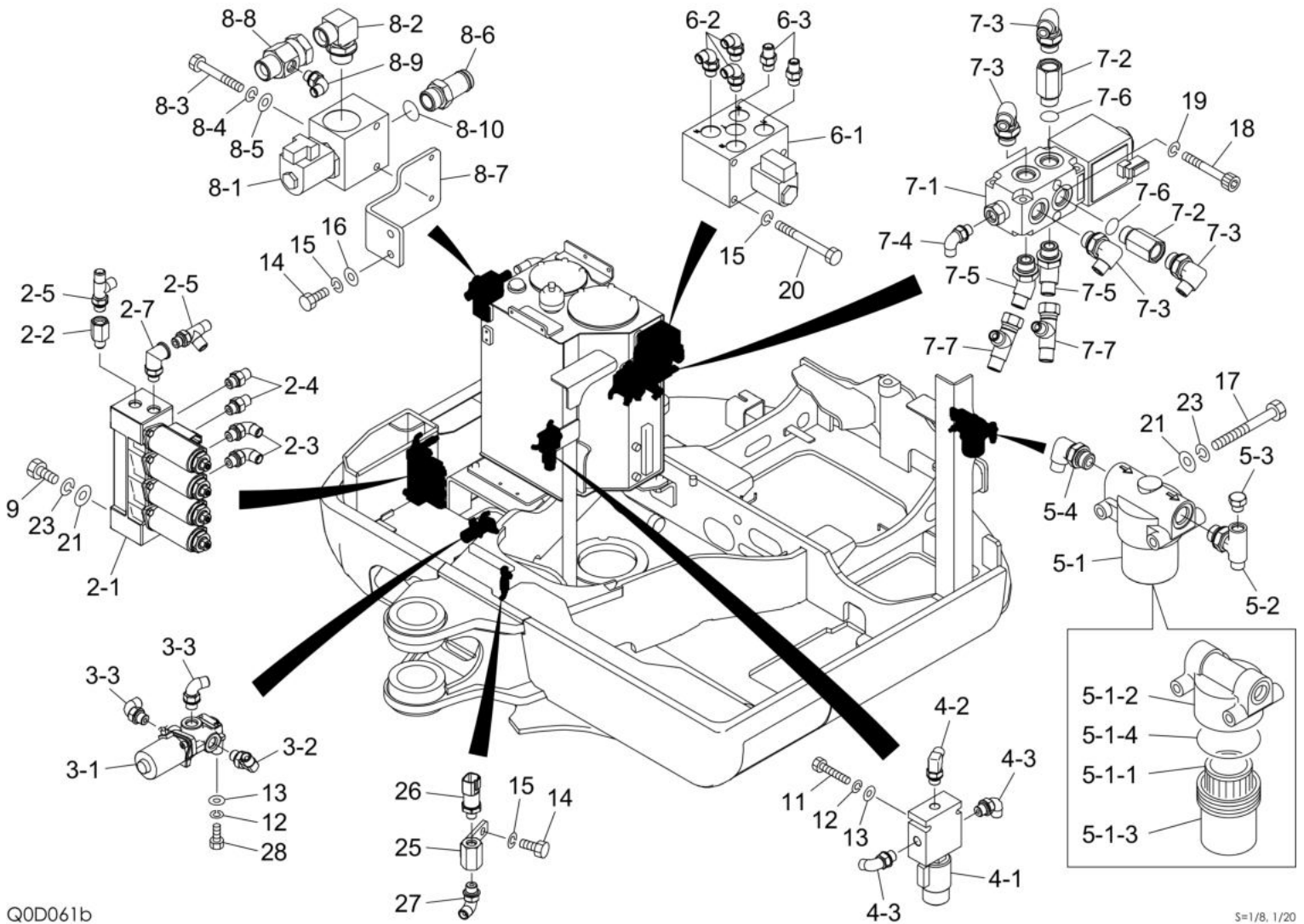


Q0D061a

S=1/8

Item	Part No.	Name	Qty	Uom	Remarks	SERIAL NUMBER
-	PNNA	VALVE ASSY, control		EA		
1	*****	VALVE SUB ASSY, control	1	EA	see page (2/2)	
22	1100051025	BOLT (10TM10 X 25 P/1.5)	4	EA		
23	1140020010	WASHER, spring	8	EA		
24	0003600025	WASHER	4	EA		

HYDRAULIC PIPING & TANK VALVE & ACCESSORIES (1/2) (with 4th aux. line, auto tank & auto pressure release) 2



Item	Part No.	Name	Qty	Uom	Remarks	SERIAL NUMBER
2	*****	VALVE ASSY, solenoid	1	EA		
2-1	1901762400	SOLENOID	1	EA		
2-2	1513370046	BUSHING (with filter)	1	EA		
2-2	1420010110	O-RING	1	EA		
2-3	1515012040	ELBOW	2	EA		
2-3	1420010110	O-RING	1	EA		
2-4	1515600200	ADAPTOR	2	EA		
2-4	1420010110	O-RING	1	EA		
2-5	1512370011	TEE	2	EA		
2-5	1420010110	O-RING	1	EA		
2-7	1513300022	ELBOW	1	EA		
2-7	1420010110	O-RING	1	EA		
3	*****	VALVE ASSY, solenoid	1	EA		
3-1	1901756100	VALVE ASSY, solenoid	1	EA		
3-2	1512375004	ELBOW (with filter)	1	EA		
3-2	1420010110	O-RING	1	EA		
3-3	1515012040	ELBOW	2	EA		
3-3	1420010110	O-RING	1	EA		
4	*****	VALVE ASSY, solenoid	1	EA		
4-1	1901764200	VALVE ASSY, solenoid	1	EA		
4-2	0575002030	ELBOW	1	EA		
4-2	1420010110	O-RING	1	EA		
4-3	1515012040	ELBOW	2	EA		
4-3	1420010110	O-RING	1	EA		
5	*****	FILTER ASSY	1	EA		
5-1	1551200600	FILTER	1	EA		
5-1-1	1551200601	ELEMENT	1	EA		
5-1-2	1551200602	COVER, head	1	EA		
5-1-3	1551200603	CASE	1	EA		
5-1-4	1551200604	O-RING	1	EA		
5-2	1512350003	ELBOW	1	EA		
5-2	1420010180	O-RING	1	EA		
5-3	1501750002	PLUG (FOR O-RING USE # 1420010110)	1	EA		
5-3	1420010110	O-RING	1	EA		
5-4	1515010051	ELBOW	1	EA		
5-4	1420010180	O-RING	1	EA		
6	*****	VALVE ASSY, solenoid	1	EA		
6-1	1901762100	VALVE ASSY, solenoid	1	EA		

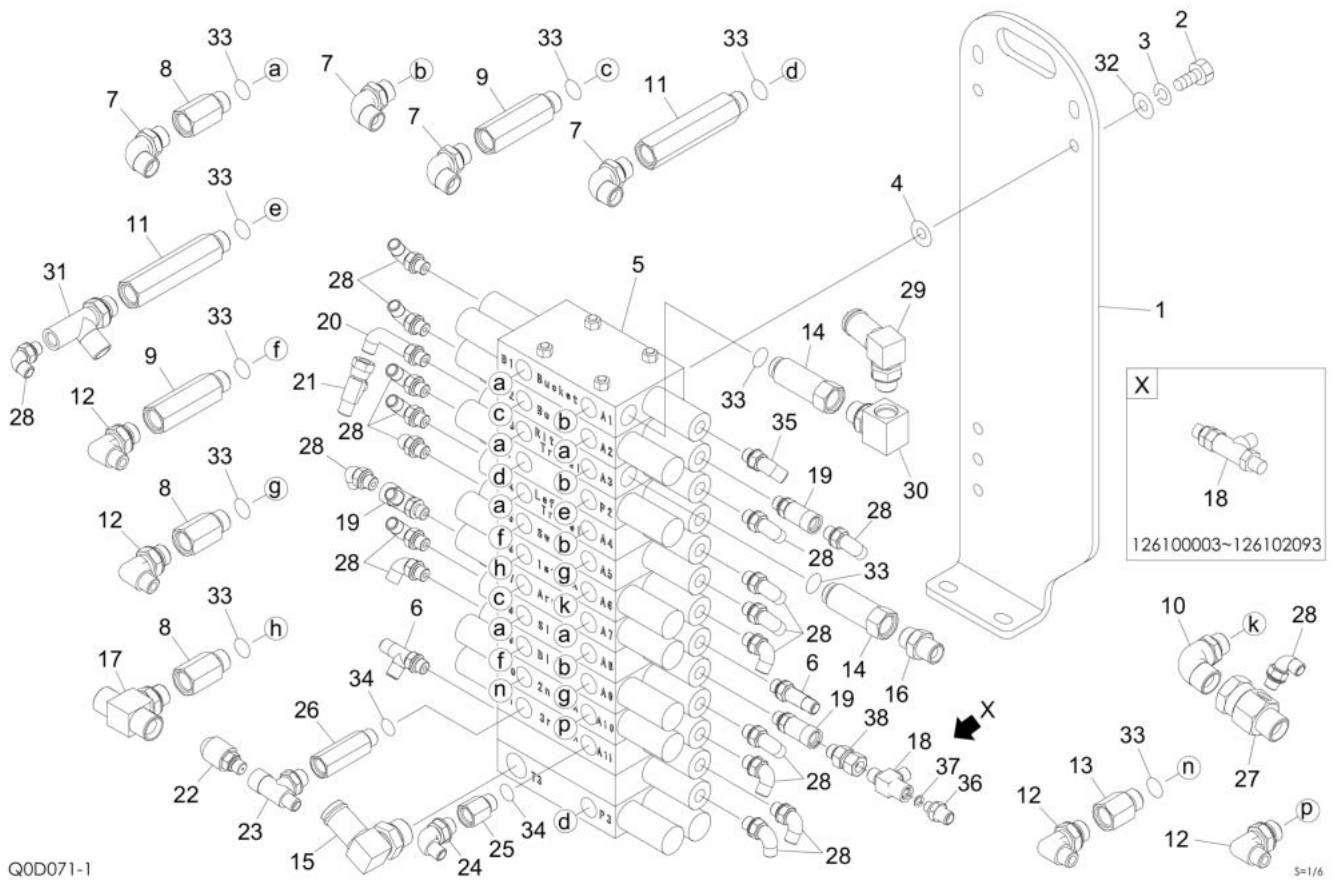
This page intentionally left blank

Item	Part No.	Name	Qty	Uom	Remarks	SERIAL NUMBER
6-2	1515012040	ELBOW	3	EA		
6-2	1420010110	O-RING	1	EA		
6-3	1515600200	ADAPTOR	2	EA		
6-3	1420010110	O-RING	1	EA		
7	*****	VALVE ASSY, solenoid	1	EA		
7-1	1901749100	VALVE, solenoid	1	EA		
7-2	0007213011	BUSHING	2	EA		
7-3	1515010051	ELBOW	4	EA		
7-3	1420010180	O-RING	1	EA		
7-4	1515012040	ELBOW	1	EA		
7-4	1420010110	O-RING	1	EA		
7-5	1515100047	ELBOW	2	EA		
7-5	1420010180	O-RING	1	EA		
7-6	1420010180	O-RING	2	EA		
7-7	1513390043	TEE	2	EA		
8	*****	VALVE ASSY, stop	1	EA		
8-1	1901763700	VALVE ASSY, solenoid	1	EA		
8-2	1515010043	ELBOW	1	EA		
8-2	1420010240	O-RING	1	EA		
8-3	1100050870	BOLT (10TM8 X 70 P/1.25)	2	EA		
8-4	1140020008	WASHER, spring	2	EA		
8-5	1141110008	WASHER	2	EA		
8-6	0007223005	NIPPLE	1	EA		
8-7	0555002270	BRACKET	1	EA		
8-8	0007990091	ADAPTOR	1	EA		
8-9	1515012040	ELBOW	1	EA		
8-9	1420010110	O-RING	1	EA		
8-10	1420010240	O-RING	1	EA		
9	1100051020	BOLT (10TM10 X 20 P/1.5)	2	EA		
11	1100040640	BOLT	2	EA		
12	1140020006	WASHER, spring	4	EA		
13	1141110006	WASHER	4	EA		
14	1100090816	BOLT	4	EA		
15	1140020008	WASHER, spring	6	EA		
16	1141110008	WASHER	2	EA		
17	1100141000	BOLT	2	EA		
18	1110040870	SCREW, cap	2	EA		
19	1140420008	WASHER, spring	2	EA		

This page intentionally left blank

Item	Part No.	Name	Qty	Uom	Remarks	SERIAL NUMBER
20	1100040890	BOLT	2	EA		
21	1141110010	WASHER, plain	4	EA		
23	1140020010	WASHER, spring	8	EA		
25	0565068210	BUSHING	1	EA		
26	1700100126	TRANSMITTER, pressure	1	EA		
27	1515012040	ELBOW	1	EA		
27	1420010110	O-RING	1	EA		
28	1100050620	BOLT (10TM6 X 20 P/1.0)	2	EA		

HYDRAULIC PIPING & TANK VALVE & ACCESSORIES (2/2) (with 4th aux. line, auto tank & auto pressure release)



Q0D071-1

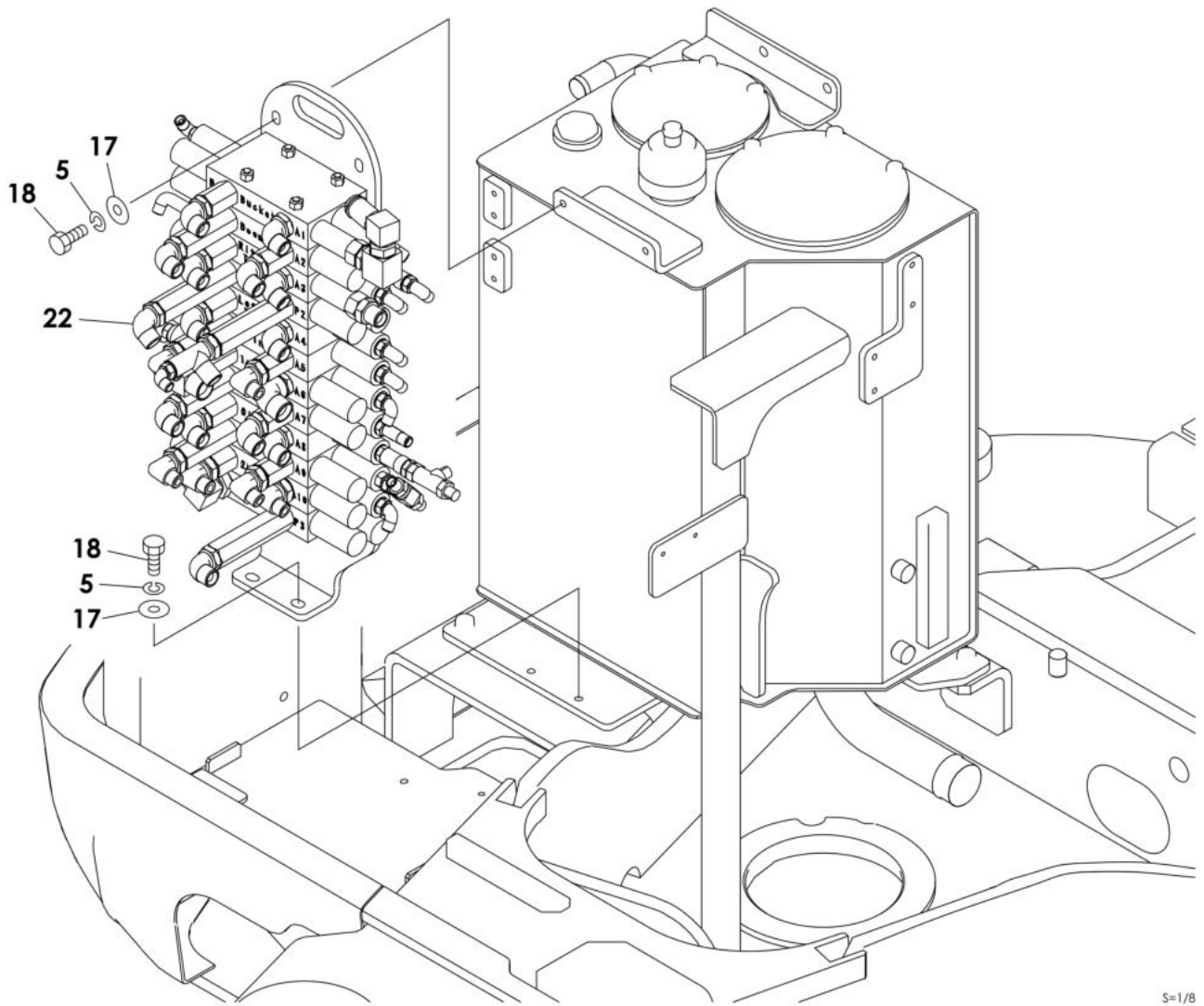
S=1/6

Item	Part No.	Name	Qty	Uom	Remarks	SERIAL NUMBER
0-1	*****	VALVE SUB ASSY, control	1	EA		
1	0555002220	BRACKET	1	EA		
2	1100051025	BOLT (10TM10 X 25 P/1.5)	3	EA		
3	1140020010	WASHER, spring	3	EA		
4	1141550010	WASHER	3	EA		
5	1901051700	VALVE, control	1	EA		
6	1512370011	TEE	2	EA		
6	1420010110	O-RING	1	EA		
7	1515012042	ELBOW	14	EA		
7	1420010180	O-RING	1	EA		
8	0007213011	BUSHING	9	EA		
9	0007213013	ADAPTOR	4	EA		
10	1515010132	ELBOW	1	EA		
10	1420010180	O-RING	1	EA		
11	0007213025	ADAPTOR	3	EA		
12	1515010051	ELBOW	6	EA		
12	1420010180	O-RING	1	EA		
13	0007213010	BUSHING (CONNECTOR)	1	EA		
14	0007213073	BUSHING	2	EA		
15	1513350005	CONNECTOR	1	EA		
15	1420010240	O-RING	1	EA		
16	1515600202	ADAPTOR	1	EA		
16	1420010180	O-RING	1	EA		
17	1512374016	TEE	1	EA		
17	1420010180	O-RING	1	EA		
18	*****	VALVE, shuttle	1	EA	a	126100003~126102093
18	1420010110	O-RING	1	EA		126100003~126102093
18	1901768700	VALVE, shuttle	1	EA	A	126102094~
19	1512340001	ELBOW	3	EA		
19	1420010110	O-RING	1	EA		
20	1515012510	ELBOW	1	EA		
20	1420010110	O-RING	1	EA		
21	1513390015	TEE (with boom+arm shut-off valve)	1	EA		
22	1700100065	SWITCH, pressure	1	EA		
22	1420010110	O-RING	1	EA		
23	1513390046	TEE	1	EA		
23	1420010140	O-RING	1	EA		
24	1515010050	ELBOW	1	EA		

This page intentionally left blank

Item	Part No.	Name	Qty	Uom	Remarks	SERIAL NUMBER
24	1420010140	O-RING	1	EA		
25	0007213023	ADAPTOR (CAN USE IN TB014/TB016)	1	EA		
25	1420010140	O-RING	1	EA		
26	0007213014	BUSHING	1	EA		
27	0007990091	ADAPTOR	1	EA		
28	1515012040	ELBOW	19	EA		
28	1420010110	O-RING	1	EA		
29	1513350006	ADAPTOR	1	EA		
29	1420010180	O-RING	1	EA		
30	1513300016	ELBOW	1	EA		
30	1420010180	O-RING	1	EA		
31	1512340004	ADAPTOR, elbow	1	EA		
31	1420010180	O-RING	1	EA		
32	1141110010	WASHER, plain	3	EA		
33	1420010180	O-RING	19	EA		
34	1420010140	O-RING	2	EA		
35	1515102110	ELBOW	1	EA		
35	1420010110	O-RING	1	EA		
36	0007203059	NIPPLE	1	EA	A	126102094~
37	1420010080	O-RING	1	EA	A	126102094~
38	1511410002	ADAPTOR	1	EA	A	126102094~
38	1420010110	O-RING	1	EA		126102094~
-	PNNA	a" is interchangeable with SET"A".		EA		

HYDRAULIC PIPING & TANK VALVE & ACCESSORIES (1/2) (with blade float) 1

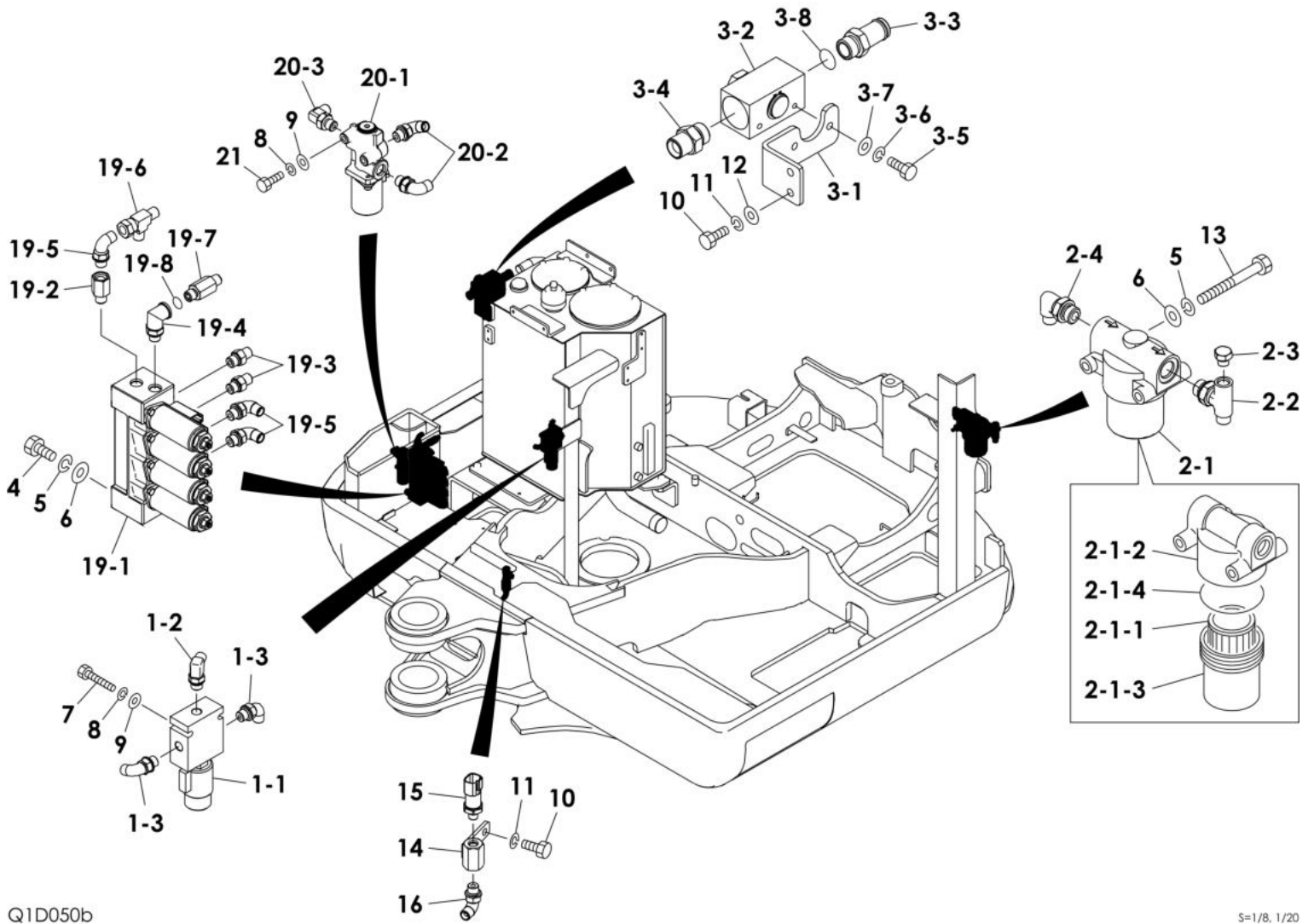


Q1D051a

S=1/8

Item	Part No.	Name	Qty	Uom	Remarks	SERIAL NUMBER
Not Shown	PNNA	VALVE ASSY, control		EA		
1	*****	VALVE ASSY, solenoid	1	EA		
5	1140020010	WASHER, spring	8	EA		
17	0003600025	WASHER	4	EA		
18	1100051025	BOLT (10TM10 X 25 P/1.5)	4	EA		
22	*****	VALVE SUB ASSY, control	1	EA	see page (2/2)	

HYDRAULIC PIPING & TANK VALVE & ACCESSORIES (1/2) (with blade float) 2



Q1D050b

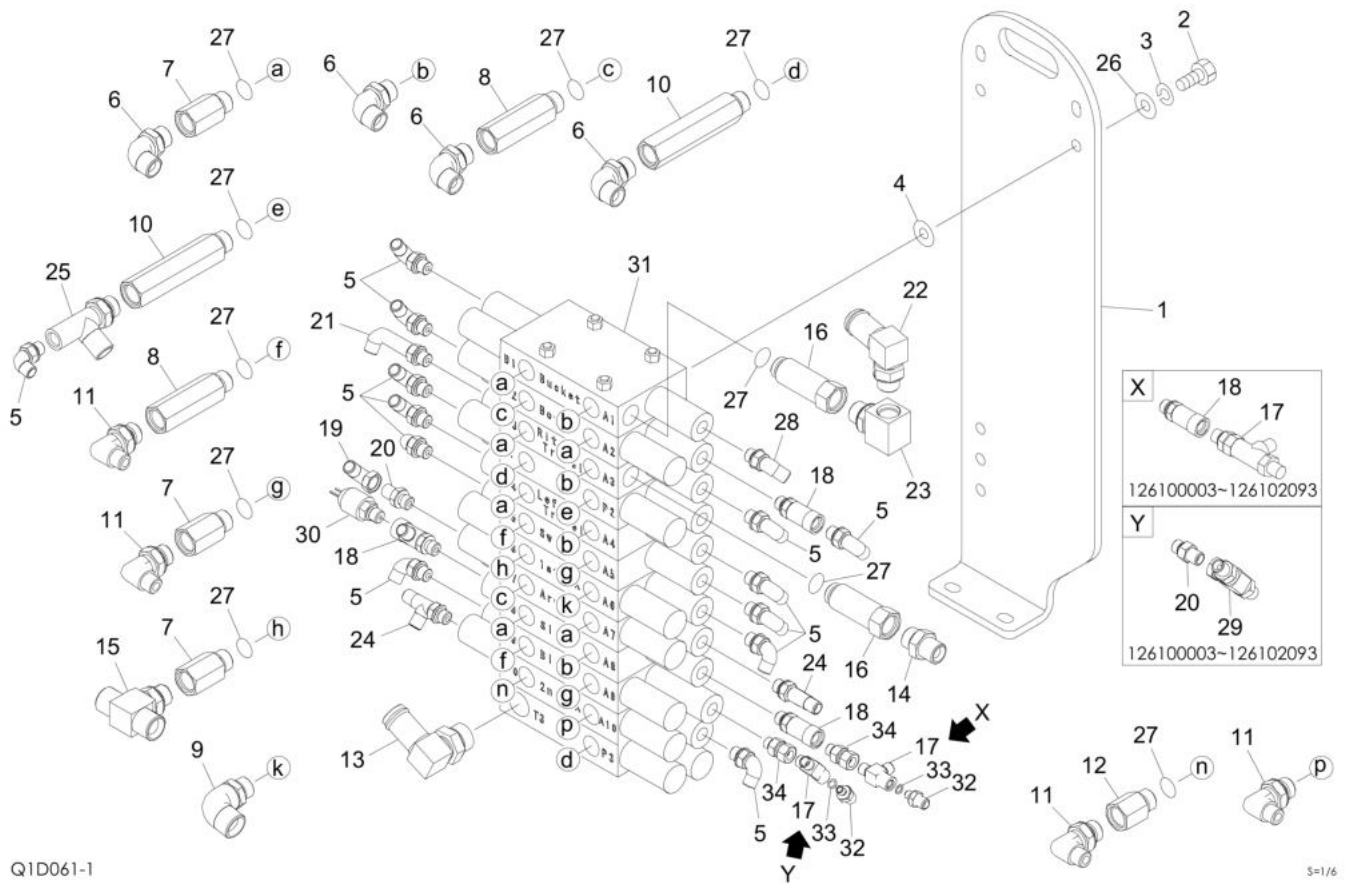
S=1/8, 1/20

Item	Part No.	Name	Qty	Uom	Remarks	SERIAL NUMBER
1	*****	VALVE ASSY, SOLENOID	1	EA		
1-1	1901764200	VALVE ASSY, solenoid	1	EA		
1-2	0575002030	ELBOW	1	EA		
1-2	1420010110	O-RING	1	EA		
1-3	1515012040	ELBOW	2	EA		
1-3	1420010110	O-RING	1	EA		
2	*****	FILTER ASSY	1	EA		
2-1	1551200600	FILTER	1	EA		
2-1-1	1551200601	ELEMENT	1	EA		
2-1-2	1551200602	COVER, head	1	EA		
2-1-3	1551200603	CASE	1	EA		
2-1-4	1551200604	O-RING	1	EA		
2-2	1512350003	ELBOW	1	EA		
2-2	1420010180	O-RING	1	EA		
2-3	1501750002	PLUG (FOR O-RING USE # 1420010110)	1	EA		
2-3	1420010110	O-RING	1	EA		
2-4	1515010051	ELBOW	1	EA		
2-4	1420010180	O-RING	1	EA		
3	*****	VALVE ASSY, STOP	1	EA		
3-1	0555002370	BRACKET	1	EA		
3-2	1901723700	VALVE, stop	1	EA		
3-3	0007223005	NIPPLE	1	EA		
3-4	1515600203	ADAPTOR	1	EA		
3-4	1420010240	O-RING	1	EA		
3-5	1100050820	BOLT (10TM8 X 20 P/1.25)	2	EA		
3-6	1140020008	WASHER, spring	2	EA		
3-7	1141110008	WASHER	2	EA		
3-8	1420010240	O-RING	1	EA		
4	1100051020	BOLT (10TM10 X 20 P/1.5)	2	EA		
5	1140020010	WASHER, spring	8	EA		
6	1141110010	WASHER, plain	6	EA		
7	1100040640	BOLT	2	EA		
8	1140020006	WASHER, spring	4	EA		
9	1141110006	WASHER	4	EA		
10	1100090816	BOLT	4	EA		
11	1140020008	WASHER, spring	4	EA		
12	1141110008	WASHER	2	EA		
13	1100141000	BOLT	2	EA		

This page intentionally left blank

Item	Part No.	Name	Qty	Uom	Remarks	SERIAL NUMBER
14	0565068210	BUSHING	1	EA		
15	1700100126	TRANSMITTER, pressure	1	EA		
16	1515012040	ELBOW	1	EA		
16	1420010110	O-RING	1	EA		
19	*****	VALVE ASSY, SOLENOID	1	EA		
19-1	1901762400	SOLENOID	1	EA		
19-2	1513370046	BUSHING (with filter)	1	EA		
19-2	1420010110	O-RING	1	EA		
19-3	1515600200	ADAPTOR	2	EA		
19-3	1420010110	O-RING	1	EA		
19-4	1513300022	ELBOW	1	EA		
19-4	1420010110	O-RING	1	EA		
19-5	1515012040	ELBOW	3	EA		
19-5	1420010110	O-RING	1	EA		
19-6	1513390015	TEE (with boom+arm shut-off valve)	1	EA		
19-7	0007203034	ADAPTOR	1	EA		
19-8	1420010110	O-RING	1	EA		
20	*****	VALVE ASSY, SOLENOID	1	EA		
20-1	1901756100	VALVE ASSY, solenoid	1	EA		
20-2	1515012040	ELBOW	2	EA		
20-2	1420010110	O-RING	1	EA		
20-3	1512375004	ELBOW (with filter)	1	EA		
20-3	1420010110	O-RING	1	EA		
21	1100050616	BOLT (10TM6 X 16 P/1.0)	2	EA		

HYDRAULIC PIPING & TANK VALVE & ACCESSORIES (2/2) (with blade float)



Q1D061-1

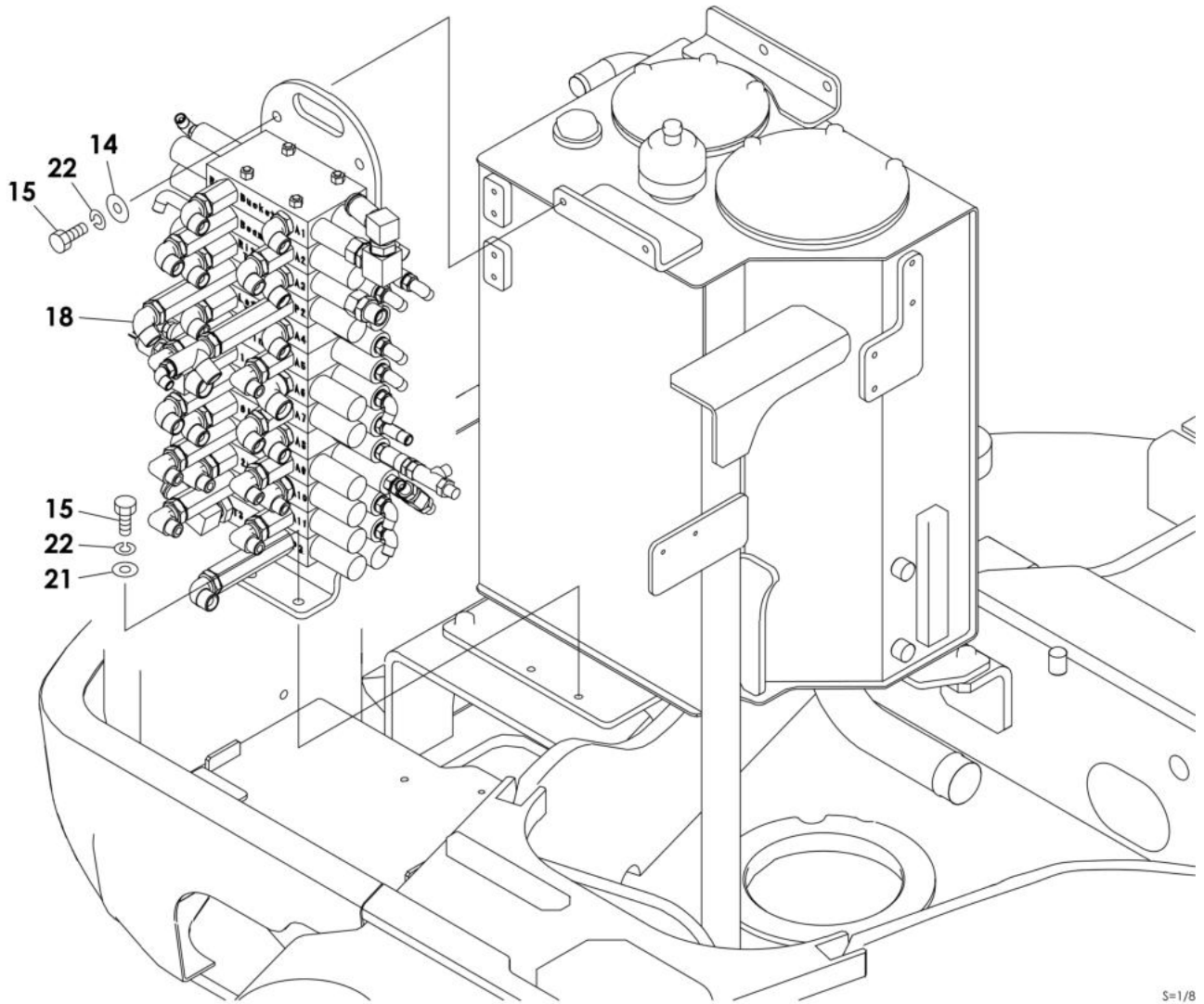
5=1/6

Item	Part No.	Name	Qty	Uom	Remarks	SERIAL NUMBER
0-1	*****	VALVE SUB ASSY, control	1	EA		
1	0555002220	BRACKET	1	EA		
2	1100051025	BOLT (10TM10 X 25 P/1.5)	3	EA		
3	1140020010	WASHER, spring	3	EA		
4	1141550010	WASHER	3	EA		
5	1515012040	ELBOW	13	EA		
5	1420010110	O-RING	1	EA		
6	1515012042	ELBOW	14	EA		
6	1420010180	O-RING	1	EA		
7	0007213011	BUSHING	9	EA		
7	1420010180	O-RING	1	EA		
8	0007213013	ADAPTOR	4	EA		
9	1515010132	ELBOW	1	EA		
9	1420010180	O-RING	1	EA		
10	0007213025	ADAPTOR	3	EA		
10	1420010180	O-RING	1	EA		
11	1515010051	ELBOW	6	EA		
11	1420010180	O-RING	1	EA		
12	0007213010	BUSHING (CONNECTOR)	1	EA		
12	1420010180	O-RING	1	EA		
13	1513350005	CONNECTOR	1	EA		
13	1420010240	O-RING	1	EA		
14	1515600202	ADAPTOR	1	EA		
14	1420010180	O-RING	1	EA		
15	1512374016	TEE	1	EA		
15	1420010180	O-RING	1	EA		
16	0007213073	BUSHING	2	EA		
17	*****	VALVE, shuttle	1	EA	a	126100003~126102093
17	1420010110	O-RING	1	EA		126100003~126102093
17	1901768700	VALVE, shuttle	2	EA	A, A,B	126102094~
18	1512340001	ELBOW	3	EA		
18	1420010110	O-RING	1	EA		
19	1513390038	TEE	1	EA		
19	1420010110	O-RING	1	EA		
20	1515600200	ADAPTOR	2	EA	b	126100003~126102093
20	1515600200	ADAPTOR	1	EA		126102094~
20	1420010110	O-RING	1	EA		
21	1515012510	ELBOW	1	EA		

This page intentionally left blank

Item	Part No.	Name	Qty	Uom	Remarks	SERIAL NUMBER
21	1420010110	O-RING	1	EA		
22	1513350006	ADAPTOR	1	EA		
22	1420010180	O-RING	1	EA		
23	1513300016	ELBOW	1	EA		
23	1420010180	O-RING	1	EA		
24	1512370011	TEE	2	EA		
24	1420010110	O-RING	1	EA		
25	1512340004	ADAPTOR, elbow	1	EA		
25	1420010180	O-RING	1	EA		
26	1141110010	WASHER, plain	3	EA		
27	1420010180	O-RING	19	EA		
28	1515102110	ELBOW	1	EA		
28	1420010110	O-RING	1	EA		
29	*****	VALVE, shuttle	1	EA	b	126100003~126102093
30	1700100041	SWITCH, pressure	1	EA		
30	1420010110	O-RING	1	EA		
31	1901051800	VALVE, control	1	EA		
32	0007203059	NIPPLE	2	EA	A, A,B	126102094~
33	1420010080	O-RING	2	EA	A,B	126102094~
34	1511410002	ADAPTOR	2	EA	A,B	126102094~
34	1420010110	O-RING	1	EA		126102094~
-	PNNA	a" is interchangeable with SET "A".		EA		
-	PNNA	SET "B" is interchangeable with SET "b".		EA		

HYDRAULIC PIPING & TANK VALVE & ACCESSORIES (1/2) (for angle blade) 1

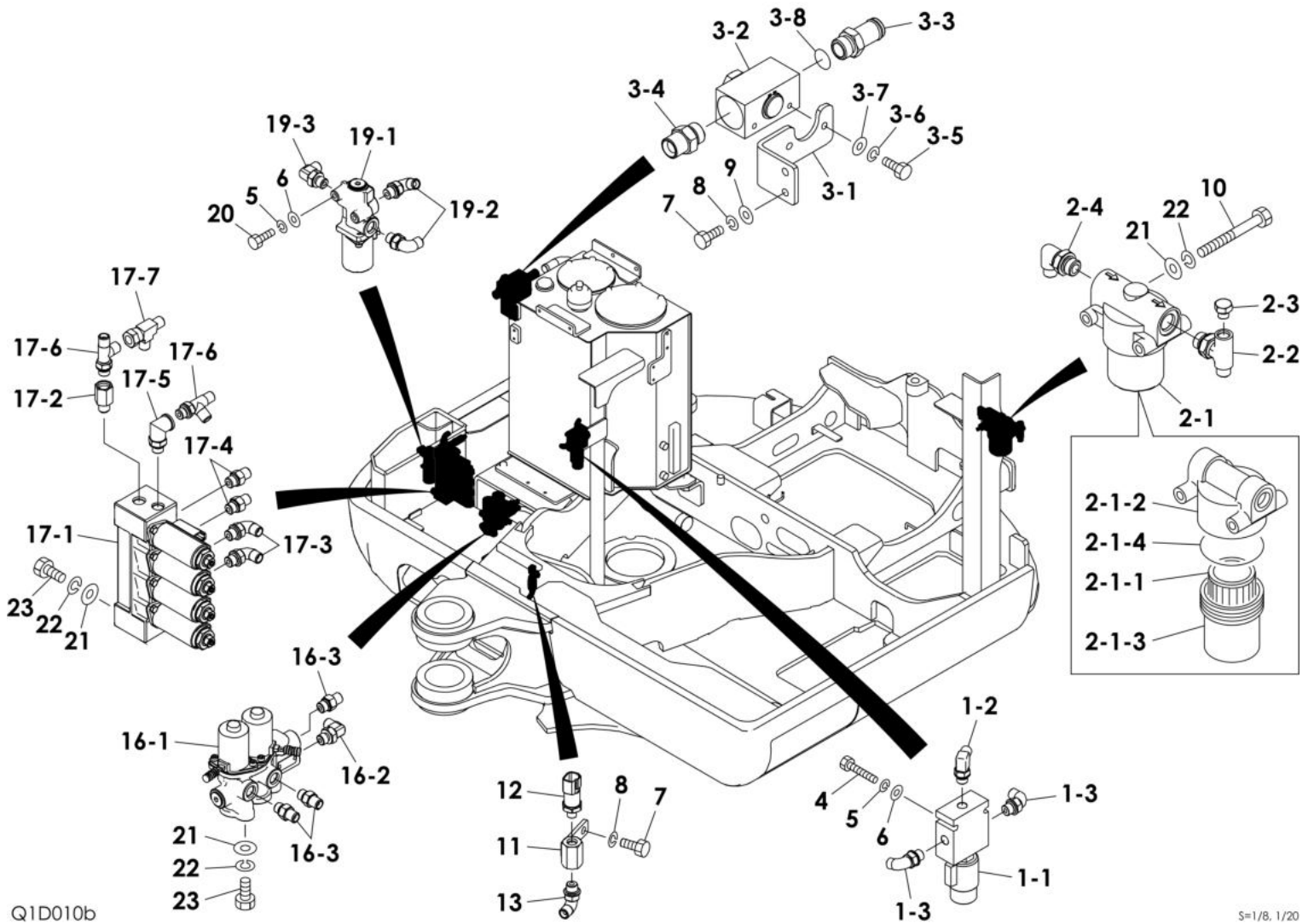


Q1D010a

S=1/8

Item	Part No.	Name	Qty	Uom	Remarks	SERIAL NUMBER
Not Shown	PNNA	VALVE ASSY, control		EA		
14	0003600025	WASHER	2	EA		
15	1100051025	BOLT (10TM10 X 25 P/1.5)	4	EA		
18	*****	VALVE SUB ASSY, control	1	EA	SEE PAGE 2 OF 2	
21	1141110010	WASHER, plain	8	EA		
22	1140020010	WASHER, spring	10	EA		

HYDRAULIC PIPING & TANK VALVE & ACCESSORIES (1/2) (for angle blade) 2

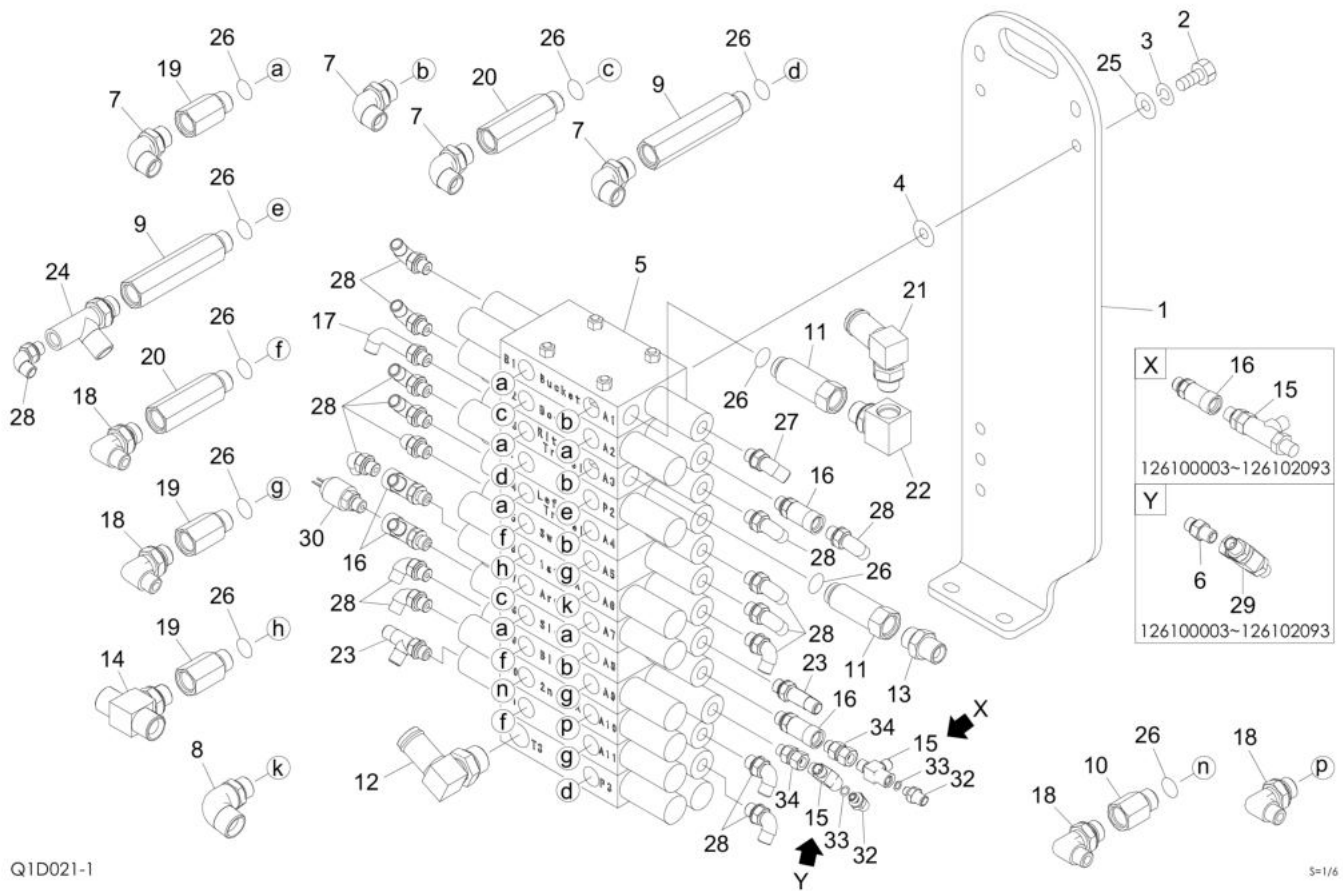


Item	Part No.	Name	Qty	Uom	Remarks	SERIAL NUMBER
1	*****	VALVE ASSY, SOLENOID	1	EA		
1-1	1901764200	VALVE ASSY, solenoid	1	EA		
1-2	0575002030	ELBOW	1	EA		
1-2	1420010110	O-RING	1	EA		
1-3	1515012040	ELBOW	2	EA		
1-3	1420010110	O-RING	1	EA		
2	*****	FILTER ASSY	1	EA		
2-1	1551200600	FILTER	1	EA		
2-1-1	1551200601	ELEMENT	1	EA		
2-1-2	1551200602	COVER, head	1	EA		
2-1-3	1551200603	CASE	1	EA		
2-1-4	1551200604	O-RING	1	EA		
2-2	1512350003	ELBOW	1	EA		
2-2	1420010180	O-RING	1	EA		
2-3	1501750002	PLUG (FOR O-RING USE # 1420010110)	1	EA		
2-3	1420010110	O-RING	1	EA		
2-4	1515010051	ELBOW	1	EA		
2-4	1420010180	O-RING	1	EA		
3	*****	VALVE ASSY, STOP	1	EA		
3-1	0555002370	BRACKET	1	EA		
3-2	1901723700	VALVE, stop	1	EA		
3-3	0007223005	NIPPLE	1	EA		
3-4	1515600203	ADAPTOR	1	EA		
3-4	1420010240	O-RING	1	EA		
3-5	1100050820	BOLT (10TM8 X 20 P/1.25)	2	EA		
3-6	1140020008	WASHER, spring	2	EA		
3-7	1141110008	WASHER	2	EA		
3-8	1420010240	O-RING	1	EA		
4	1100040640	BOLT	2	EA		
5	1140020006	WASHER, spring	4	EA		
6	1141110006	WASHER	4	EA		
7	1100090816	BOLT	4	EA		
8	1140020008	WASHER, spring	4	EA		
9	1141110008	WASHER	2	EA		
10	1100141000	BOLT	2	EA		
11	0565068210	BUSHING	1	EA		
12	1700100126	TRANSMITTER, pressure	1	EA		
13	1515012040	ELBOW	1	EA		

This page intentionally left blank

Item	Part No.	Name	Qty	Uom	Remarks	SERIAL NUMBER
13	1420010110	O-RING	1	EA		
16	*****	VALVE ASSY, SOLENOID	1	EA		
16-1	1901751000	VALVE ASSY, solenoid	1	EA		
16-2	1512375004	ELBOW (with filter)	1	EA		
16-2	1420010110	O-RING	1	EA		
16-3	1515600200	ADAPTOR	1	EA		
16-3	1420010110	O-RING	1	EA		
17	*****	VALVE ASSY, SOLENOID	1	EA		
17-1	1901762400	SOLENOID	1	EA		
17-2	1513370046	BUSHING (with filter)	1	EA		
17-2	1420010110	O-RING	1	EA		
17-3	1515012040	ELBOW	2	EA		
17-3	1420010110	O-RING	1	EA		
17-4	1515600200	ADAPTOR	2	EA		
17-4	1420010110	O-RING	1	EA		
17-5	1513300022	ELBOW	1	EA		
17-5	1420010110	O-RING	1	EA		
17-6	1512370011	TEE	2	EA		
17-6	1420010110	O-RING	1	EA		
17-7	1513390015	TEE (with boom+arm shut-off valve)	1	EA		
19	*****	VALVE ASSY, SOLENOID	1	EA		
19-1	1901756100	VALVE ASSY, solenoid	1	EA		
19-2	1515012040	ELBOW	2	EA		
19-2	1420010110	O-RING	1	EA		
19-3	1512375004	ELBOW (with filter)	1	EA		
19-3	1420010110	O-RING	1	EA		
20	1100050616	BOLT (10TM6 X 16 P/1.0)	2	EA		
21	1141110010	WASHER, plain	8	EA		
22	1140020010	WASHER, spring	10	EA		
23	1100051020	BOLT (10TM10 X 20 P/1.5)	4	EA		

HYDRAULIC PIPING & TANK VALVE & ACCESSORIES (2/2) (angle blade type)



Q1D021-1

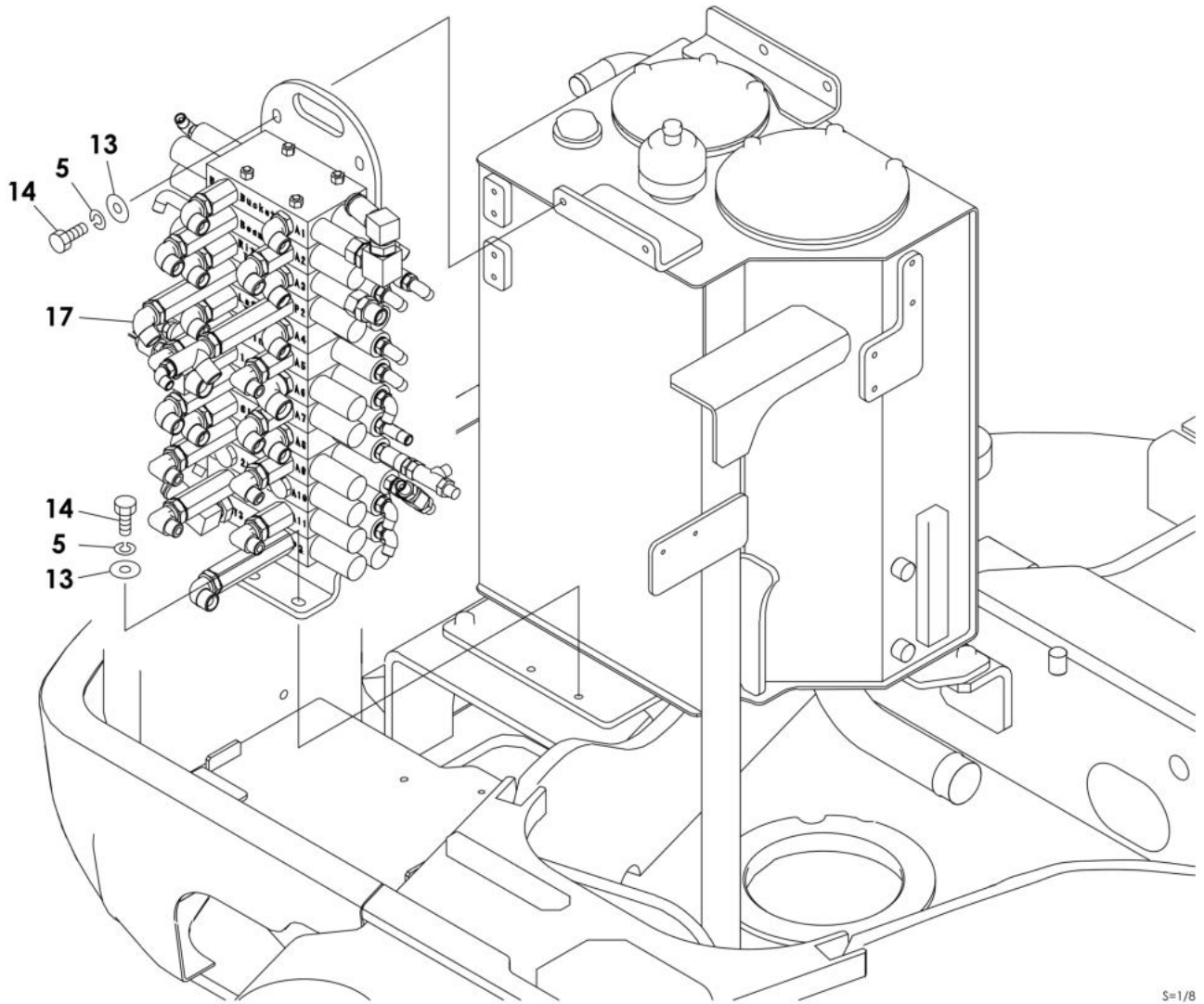
S=1/6

Item	Part No.	Name	Qty	Uom	Remarks	SERIAL NUMBER
0-1	*****	VALVE SUB ASSY, control	1	EA		
1	0555002220	BRACKET	1	EA		
2	1100051025	BOLT (10TM10 X 25 P/1.5)	3	EA		
3	1140020010	WASHER, spring	3	EA		
4	1141550010	WASHER	3	EA		
5	1901051900	VALVE, control (ANGLE BLADE)	1	EA		
6	1515600200	ADAPTOR	2	EA	b	126100003~126102093
6	1515600200	ADAPTOR	1	EA		126102094~
6	1420010110	O-RING	1	EA		
7	1515012042	ELBOW	14	EA		
7	1420010180	O-RING	1	EA		
8	1515010132	ELBOW	1	EA		
8	1420010180	O-RING	1	EA		
9	0007213025	ADAPTOR	3	EA		
9	1420010180	O-RING	1	EA		
10	0007213010	BUSHING (CONNECTOR)	1	EA		
10	1420010180	O-RING	1	EA		
11	0007213073	BUSHING	2	EA		
12	1513350005	CONNECTOR	1	EA		
12	1420010240	O-RING	1	EA		
13	1515600202	ADAPTOR	1	EA		
13	1420010180	O-RING	1	EA		
14	1512374016	TEE	1	EA		
14	1420010180	O-RING	1	EA		
15	*****	VALVE, shuttle	1	EA	a	126100003~126102093
15	1420010110	O-RING	1	EA		126100003~126102093
15	1901768700	VALVE, shuttle	2	EA	A, A,B	126102094~
16	1512340001	ELBOW	4	EA		
16	1420010110	O-RING	1	EA		
17	1515012510	ELBOW	1	EA		
17	1420010110	O-RING	1	EA		
18	1515010051	ELBOW	8	EA		
18	1420010180	O-RING	1	EA		
19	0007213011	BUSHING	10	EA		
19	1420010180	O-RING	1	EA		
20	0007213013	ADAPTOR	5	EA		
21	1513350006	ADAPTOR	1	EA		
21	1420010180	O-RING	1	EA		

This page intentionally left blank

Item	Part No.	Name	Qty	Uom	Remarks	SERIAL NUMBER
22	1513300016	ELBOW	1	EA		
22	1420010180	O-RING	1	EA		
23	1512370011	TEE	2	EA		
23	1420010110	O-RING	1	EA		
24	1512340004	ADAPTOR, elbow	1	EA		
24	1420010180	O-RING	1	EA		
25	1141110010	WASHER, plain	3	EA		
26	1420010180	O-RING	21	EA		
27	1515102110	ELBOW	1	EA		
27	1420010110	O-RING	1	EA		
28	1515012040	ELBOW	16	EA		
28	1420010110	O-RING	1	EA		
29	*****	VALVE, shuttle	1	EA	b	126100003~126102093
30	1700100041	SWITCH, pressure	1	EA		
30	1420010110	O-RING	1	EA		
32	0007203059	NIPPLE	2	EA	A, A,B	126102094~
33	1420010080	O-RING	2	EA	A,B	126102094~
34	1511410002	ADAPTOR	2	EA	A,B	126102094~
34	1420010110	O-RING	1	EA		126102094~
-	PNNA	a" is interchangeable with SET "A".		EA		
-	PNNA	SET "B" is interchangeable with SET "b".		EA		

HYDRAULIC PIPING & TANK VALVE & ACCESSORIES (1/2) (angle blade type) (without shut-off valve) 1

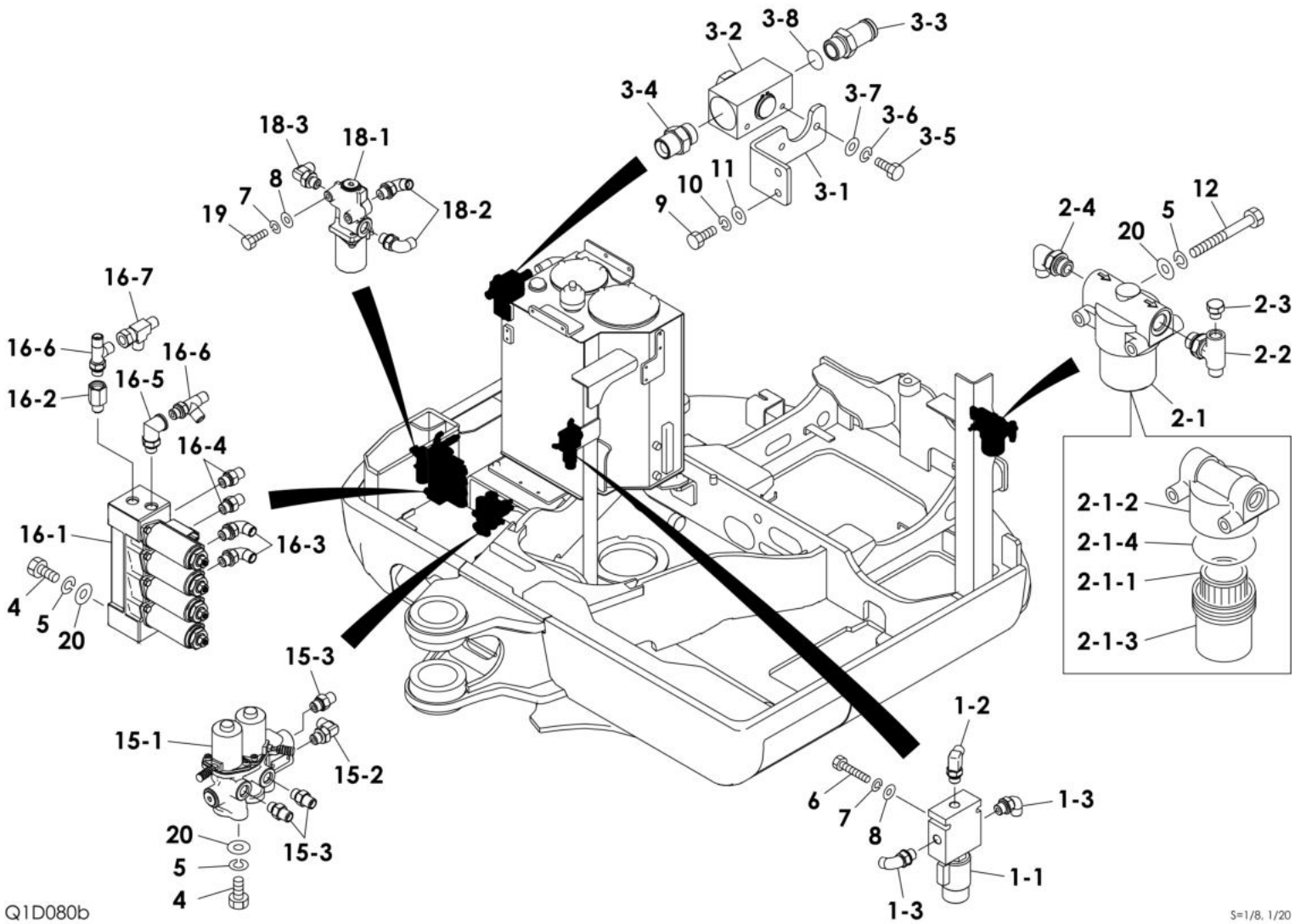


Q1D080a

S=1/8

Item	Part No.	Name	Qty	Uom	Remarks	SERIAL NUMBER
Not Shown	PNNA	VALVE ASSY, control		EA		
1	*****	VALVE ASSY, SOLENOID	1	EA		
5	1140020010	WASHER, spring	10	EA		
7	1140020006	WASHER, spring	4	EA		
13	0003600025	WASHER	4	EA		
14	1100051025	BOLT (10TM10 X 25 P/1.5)	4	EA		
17	*****	VALVE ASSY, SOLENOID	1	EA		

HYDRAULIC PIPING & TANK VALVE & ACCESSORIES (1/2) (angle blade type) (without shut-off valve) 2

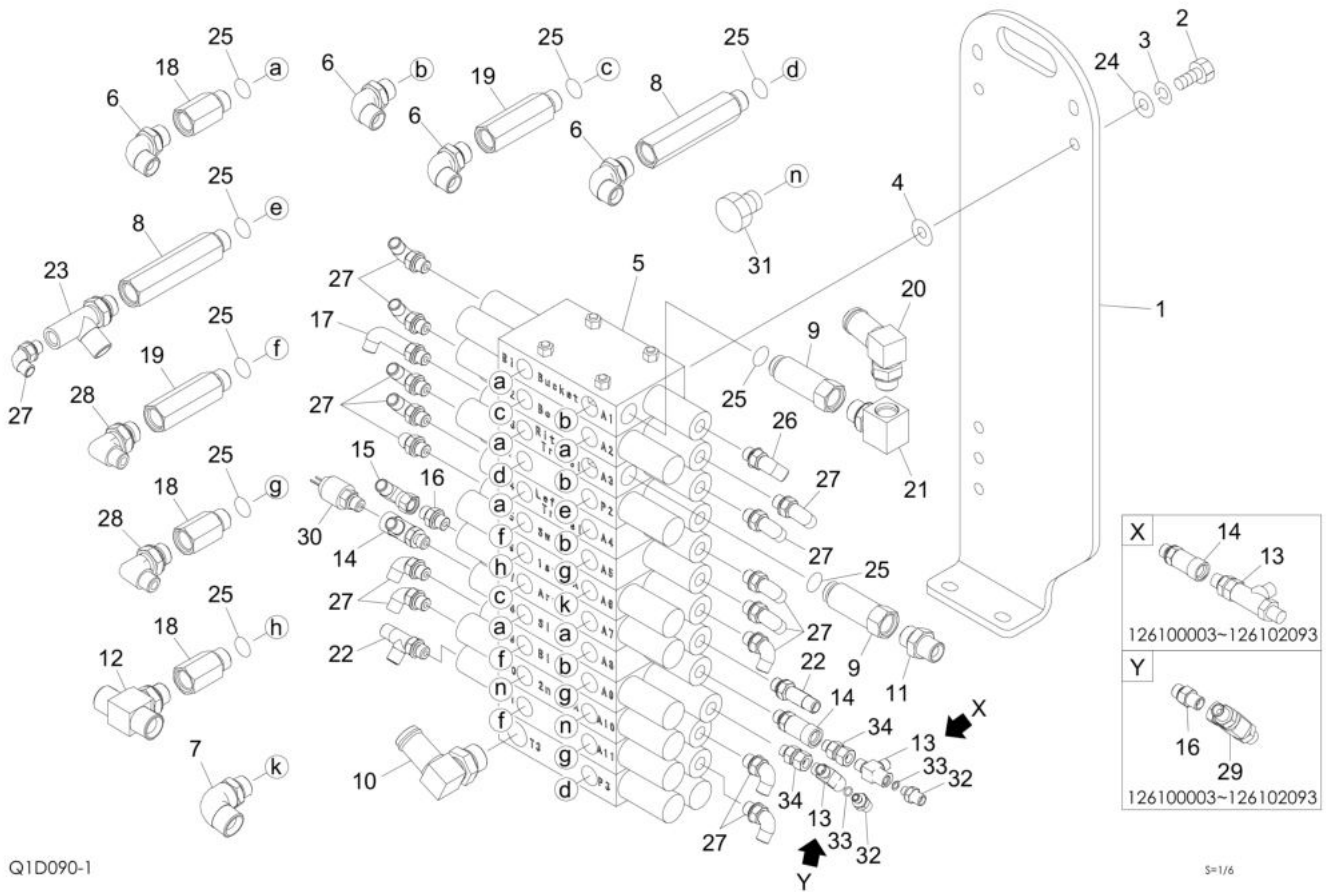


Item	Part No.	Name	Qty	Uom	Remarks	SERIAL NUMBER
1	*****	VALVE ASSY, SOLENOID	1	EA		
1-1	1901764200	VALVE ASSY, solenoid	1	EA		
1-2	0575002030	ELBOW	1	EA		
1-2	1420010110	O-RING	1	EA		
1-3	1515012040	ELBOW	2	EA		
1-3	1420010110	O-RING	1	EA		
2	*****	FILTER ASSY	1	EA		
2-1	1551200600	FILTER	1	EA		
2-1-1	1551200601	ELEMENT	1	EA		
2-1-2	1551200602	COVER, head	1	EA		
2-1-3	1551200603	CASE	1	EA		
2-1-4	1551200604	O-RING	1	EA		
2-2	1512350003	ELBOW	1	EA		
2-2	1420010180	O-RING	1	EA		
2-3	1501750002	PLUG (FOR O-RING USE # 1420010110)	1	EA		
2-3	1420010110	O-RING	1	EA		
2-4	1515010051	ELBOW	1	EA		
2-4	1420010180	O-RING	1	EA		
3	*****	VALVE ASSY, STOP	1	EA		
3-1	0555002370	BRACKET	1	EA		
3-2	1901723700	VALVE, stop	1	EA		
3-3	0007223005	NIPPLE	1	EA		
3-4	1515600203	ADAPTOR	1	EA		
3-4	1420010240	O-RING	1	EA		
3-5	1100050820	BOLT (10TM8 X 20 P/1.25)	2	EA		
3-6	1140020008	WASHER, spring	2	EA		
3-7	1141110008	WASHER	2	EA		
3-8	1420010240	O-RING	1	EA		
4	1100051020	BOLT (10TM10 X 20 P/1.5)	4	EA		
5	1140020010	WASHER, spring	10	EA		
6	1100040640	BOLT	2	EA		
7	1140020006	WASHER, spring	4	EA		
8	1141110006	WASHER	4	EA		
9	1100090816	BOLT	2	EA		
10	1140020008	WASHER, spring	2	EA		
11	1141110008	WASHER	2	EA		
12	1100141000	BOLT	2	EA		
15	*****	VALVE ASSY, SOLENOID	1	EA		

This page intentionally left blank

Item	Part No.	Name	Qty	Uom	Remarks	SERIAL NUMBER
15-1	1901751000	VALVE ASSY, solenoid	1	EA		
15-2	1512375004	ELBOW (with filter)	1	EA		
15-2	1420010110	O-RING	1	EA		
15-3	1515600200	ADAPTOR	3	EA		
15-3	1420010110	O-RING	1	EA		
16	*****	VALVE ASSY, SOLENOID	1	EA		
16-1	1901762400	SOLENOID	1	EA		
16-2	1513370046	BUSHING (with filter)	1	EA		
16-2	1420010110	O-RING	1	EA		
16-3	1515012040	ELBOW	2	EA		
16-3	1420010110	O-RING	1	EA		
16-4	1515600200	ADAPTOR	2	EA		
16-4	1420010110	O-RING	1	EA		
16-5	1513300022	ELBOW	1	EA		
16-5	1420010110	O-RING	1	EA		
16-6	1512370011	TEE	2	EA		
16-6	1420010110	O-RING	1	EA		
16-7	1513390015	TEE (with boom+arm shut-off valve)	1	EA		
18	*****	VALVE ASSY, SOLENOID	1	EA		
18-1	1901756100	VALVE ASSY, solenoid	1	EA		
18-2	1515012040	ELBOW	2	EA		
18-2	1420010110	O-RING	1	EA		
18-3	1512375004	ELBOW (with filter)	1	EA		
18-3	1420010110	O-RING	1	EA		
19	1100050616	BOLT (10TM6 X 16 P/1.0)	2	EA		
20	1141110010	WASHER, plain	6	EA		

HYDRAULIC PIPING & TANK VALVE & ACCESSORIES (2/2) (angle blade type) (without shut-off valve)



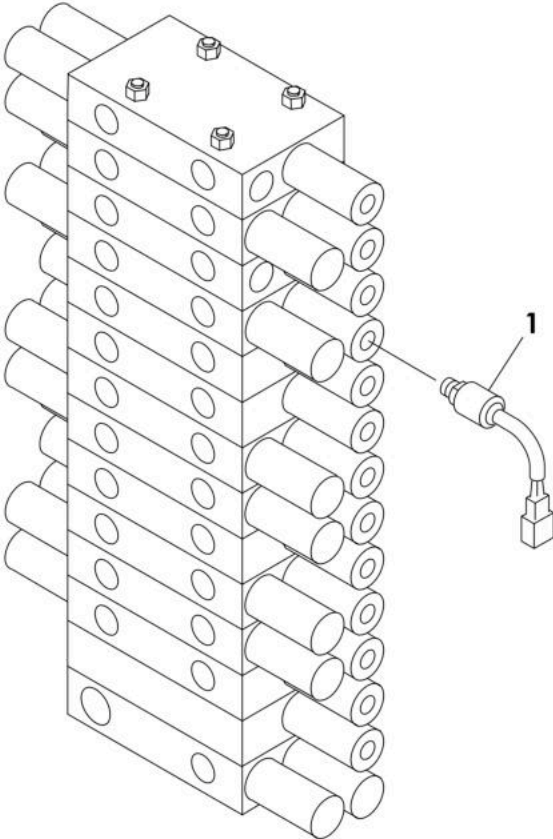
Q1D090-1

S=1/6

Item	Part No.	Name	Qty	Uom	Remarks	SERIAL NUMBER
0-1	*****	VALVE SUB ASSY, control	1	EA		
1	0555002220	BRACKET	1	EA		
2	1100051025	BOLT (10TM10 X 25 P/1.5)	3	EA		
3	1140020010	WASHER, spring	3	EA		
4	1141550010	WASHER	3	EA		
5	1901051900	VALVE, control (ANGLE BLADE)	1	EA		
6	1515012042	ELBOW	14	EA		
6	1420010180	O-RING	1	EA		
7	1515010132	ELBOW	1	EA		
7	1420010180	O-RING	1	EA		
8	0007213025	ADAPTOR	3	EA		
8	1420010180	O-RING	1	EA		
9	0007213073	BUSHING	2	EA		
10	1513350005	CONNECTOR	1	EA		
10	1420010240	O-RING	1	EA		
11	1515600202	ADAPTOR	1	EA		
11	1420010180	O-RING	1	EA		
12	1512374016	TEE	1	EA		
12	1420010180	O-RING	1	EA		
13	*****	VALVE, shuttle	1	EA	a	126100003~126102093
13	1420010110	O-RING	1	EA		126100003~126102093
13	1901768700	VALVE, shuttle	2	EA	A, A,B	126102094~
14	1512340001	ELBOW	2	EA		
14	1420010110	O-RING	1	EA		
15	1513390038	TEE	1	EA		
15	1420010110	O-RING	1	EA		
16	1515600200	ADAPTOR	2	EA	b	126100003~126102093
16	1515600200	ADAPTOR	1	EA		126102094~
16	1420010110	O-RING	1	EA		
17	1515012510	ELBOW	1	EA		
17	1420010110	O-RING	1	EA		
18	0007213011	BUSHING	10	EA		
18	1420010180	O-RING	1	EA		
19	0007213013	ADAPTOR	5	EA		
20	1513350006	ADAPTOR	1	EA		
20	1420010180	O-RING	1	EA		
21	1513300016	ELBOW	1	EA		
21	1420010180	O-RING	1	EA		

This page intentionally left blank

Item	Part No.	Name	Qty	Uom	Remarks	SERIAL NUMBER
22	1512370011	TEE	2	EA		
22	1420010110	O-RING	1	EA		
23	1512340004	ADAPTOR, elbow	1	EA		
23	1420010180	O-RING	1	EA		
24	1141110010	WASHER, plain	3	EA		
25	1420010180	O-RING	20	EA		
26	1515102110	ELBOW	1	EA		
26	1420010110	O-RING	1	EA		
27	1515012040	ELBOW	15	EA		
27	1420010110	O-RING	1	EA		
28	1515010051	ELBOW	6	EA		
28	1420010180	O-RING	1	EA		
29	*****	VALVE, shuttle	1	EA	b	126100003~126102093
30	1700100041	SWITCH, pressure	1	EA		
30	1420010110	O-RING	1	EA		
31	1501750004	PLUG (12MM)	2	EA		
32	0007203059	NIPPLE	2	EA	A, A,B	126102094~
33	1420010080	O-RING	2	EA	A,B	126102094~
34	1511410002	ADAPTOR	2	EA	A,B	126102094~
34	1420010110	O-RING	1	EA		126102094~
-	PNNA	a" is interchangeable with SET "A".		EA		
-	PNNA	SET "B" is interchangeable with SET "b".		EA		

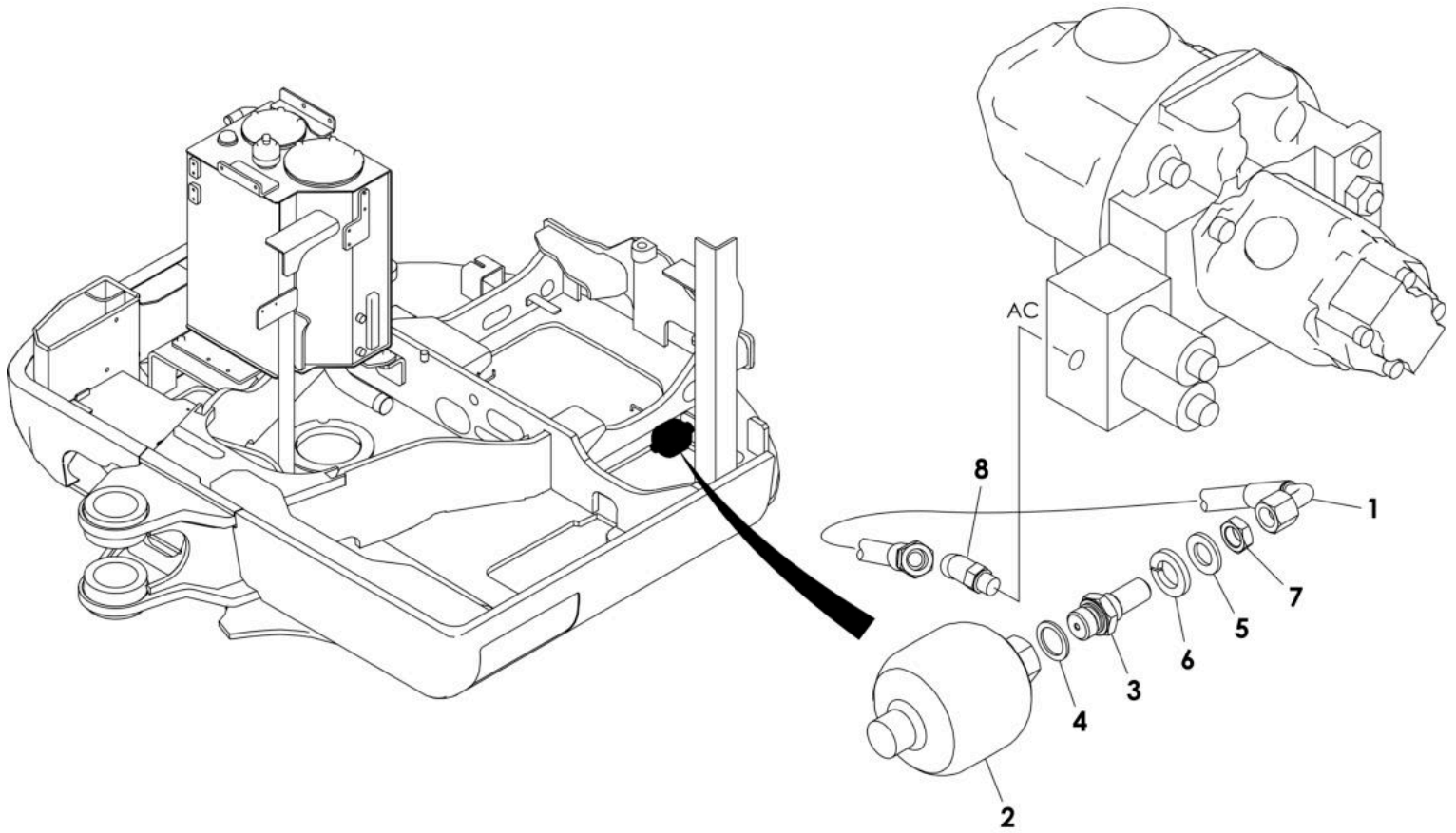


Q0D080

S=1/5

Item	Part No.	Name	Qty	Uom	Remarks	SERIAL NUMBER
Not Shown	PNNA	AUTO DECEL ASSY		EA		
1	1700100065	SWITCH, pressure	1	EA		
1	1420010110	O-RING	1	EA		

HYDRAULIC PIPING & TANK ACCUMULATOR

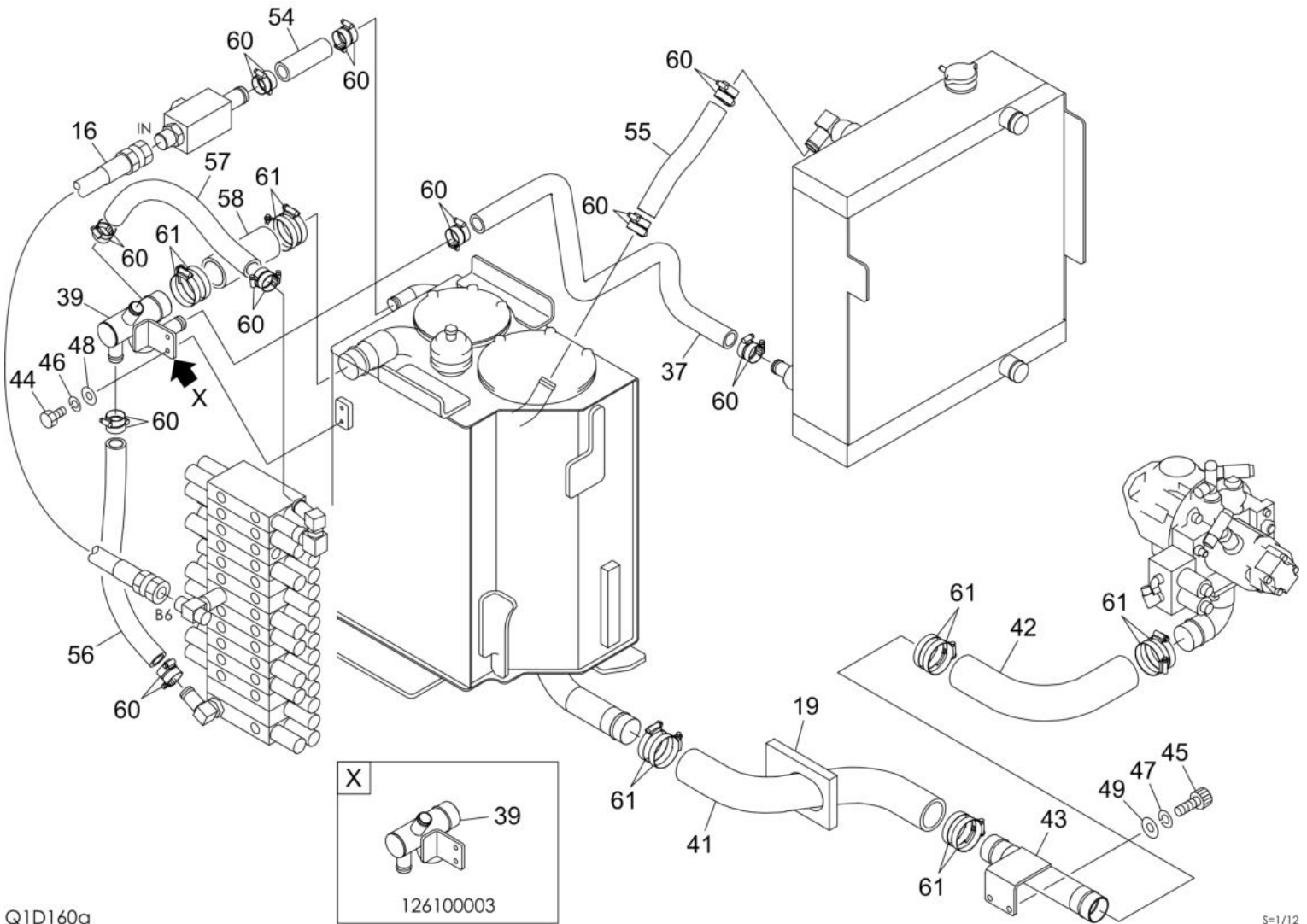


Q0D090

S=1/5, 1/20

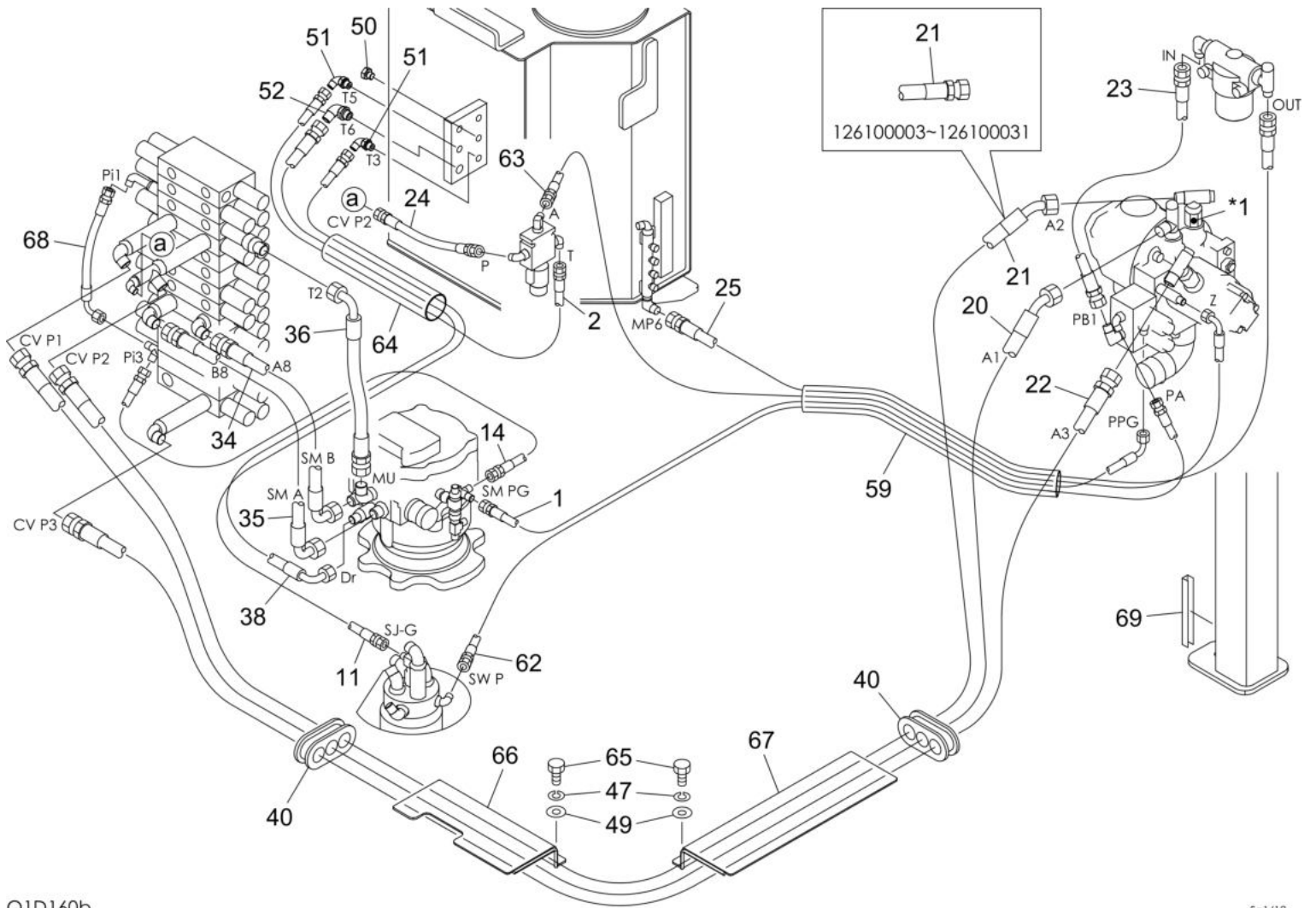
Item	Part No.	Name	Qty	Uom	Remarks	SERIAL NUMBER
Not Shown	PNNA	ACCUMULATOR ASSY		EA		
1	0555003010	HOSE ASSY	1	EA		
2	1552200020	ACCUMULATOR	1	EA		
3	0007200222	ADAPTOR	1	EA		
4	1432160004	WASHER	1	EA		
5	1141110016	WASHER	1	EA		
6	1140020020	WASHER, spring	1	EA		
7	0007200154	NUT	1	EA		
8	1515100136	ELBOW	1	EA		
8	1420010110	O-RING	1	EA		

HYDRAULIC PIPING & TANK PIPING; UPPER (3rd aux. line plug type) 1



Item	Part No.	Name	Qty	Uom	Remarks	SERIAL NUMBER
-	PNNA	PIPING ASSY, upper		EA		
16	0557000038	HOSE ASSY	1	EA	18015-30052	
19	0557000048	SPONGE	1	EA		
37	0557003430	HOSE	1	EA	A	126100003-
37	0557000074	HOSE (NOT HYDRAULIC HOSE)	1	EA	a,b	126100004~
39	0557003790	PIPE	1	EA	B	126100003-
39	0557000073	PIPE	1	EA	a,b	126100004~
41	0557003840	HOSE	1	EA		
42	0557003850	HOSE	1	EA		
43	0557003860	PIPE	1	EA		
44	1100090816	BOLT	2	EA		
45	1110051030	SCREW, cap (10TM10 X 30 P/1.5)	2	EA		
46	1140020008	WASHER, spring	2	EA		
47	1140020010	WASHER, spring	6	EA		
48	1141110008	WASHER	2	EA		
49	1141110010	WASHER, plain	6	EA		
54	1530525011	HOSE	1	EA	sold by the meter	
55	1530525000	HOSE (SOLD BY THE METER)	1	EA	sold by the meter	
56	1530525000	HOSE (SOLD BY THE METER)	1	EA	sold by the meter	
57	1530525000	HOSE (SOLD BY THE METER)	1	EA	sold by the meter	
58	1530547000	HOSE, suction (SOLD BY THE METER)	1	EA	sold by the meter	
60	1533700041	BAND	20	EA		
61	1533700071	CLAMP	12	EA		
-	PNNA	"A" is interchangeable with SET "a".		EA		
-	PNNA	"B" is interchangeable with SET "b".		EA		

HYDRAULIC PIPING & TANK PIPING; UPPER (3rd aux. line plug type) 2

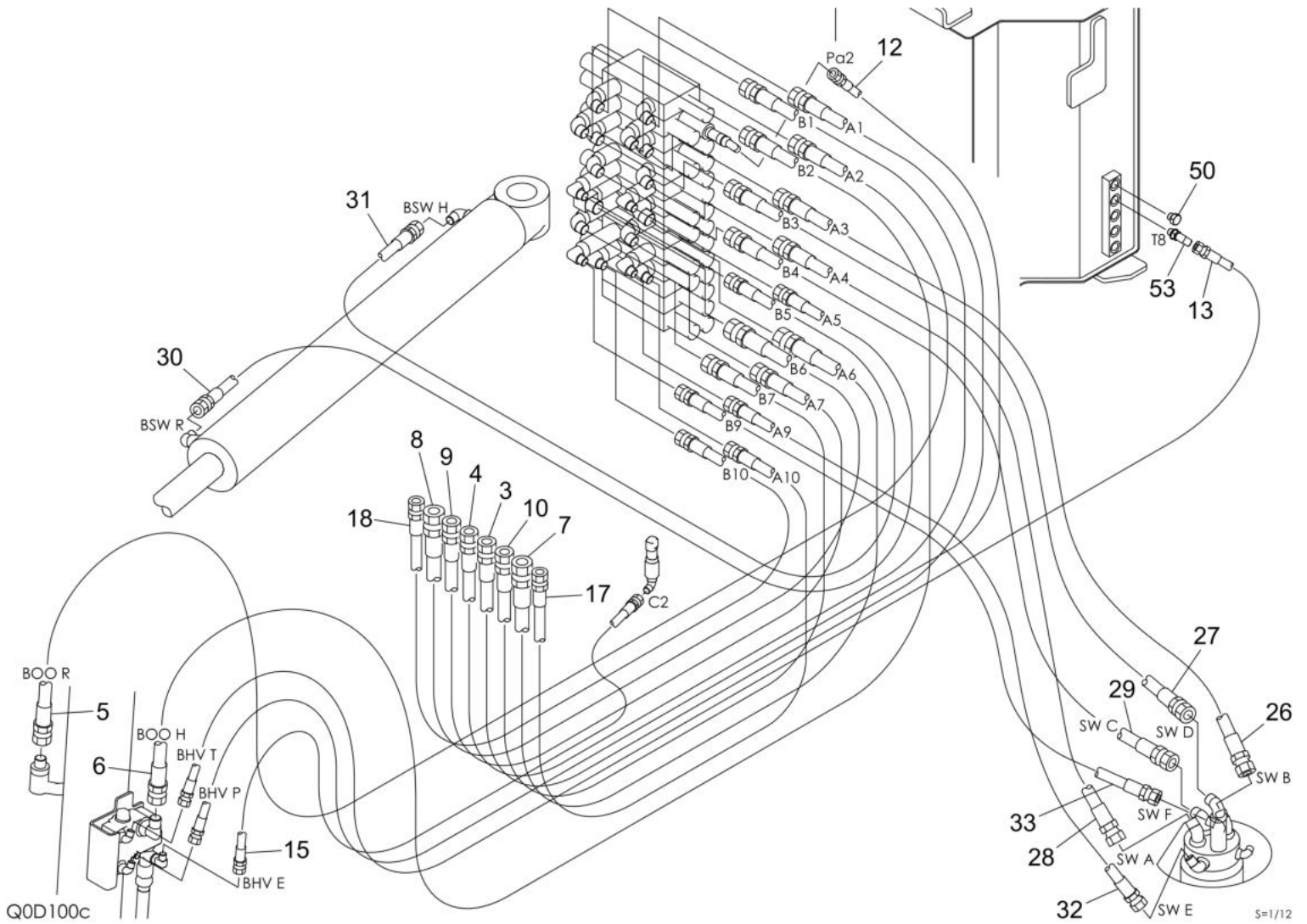


Q1D160b

S=1/12

Item	Part No.	Name	Qty	Uom	Remarks	SERIAL NUMBER
1	0557000007	HOSE ASSY	1	EA	18010-52115	
2	0557000008	HOSE ASSY	1	EA	18010-52135	
11	0557000025	HOSE ASSY	1	EA	18010-22105	
14	0557000034	HOSE ASSY	1	EA	18010-22090	
20	0557003010	HOSE ASSY	1	EA		
21	0557003020	HOSE ASSY	1	EA	C	126100003~126100031
21	0557000078	HOSE ASSY	1	EA	c	126100032~
22	0557003030	HOSE ASSY	1	EA	18015-40235	
23	0557003050	HOSE ASSY	1	EA	18010-23060	
24	0557003080	HOSE ASSY	1	EA	18045-00030	
25	0557003120	HOSE ASSY	1	EA	18010-23180	
34	0557003310	HOSE ASSY	1	EA	18045-41038	
35	0557003320	HOSE ASSY	1	EA	18045-41050	
36	0557003420	HOSE ASSY	1	EA	18010-54046	
38	0557003710	HOSE ASSY	1	EA	18010-53080	
40	0557003830	GUARD	2	EA		
47	1140020010	WASHER, spring	6	EA		
49	1141110010	WASHER, plain	6	EA		
50	1501750002	PLUG (FOR O-RING USE # 1420010110)	2	EA		
50	1420010110	O-RING	1	EA		
51	1515012040	ELBOW	2	EA		
51	1420010110	O-RING	1	EA		
52	1515010041	ELBOW	1	EA		
52	1420010140	O-RING	1	EA		
59	1531345055	PROTECTOR	1	EA	sold by the meter	
62	0557000052	HOSE ASSY	1	EA	18010-22124	
63	0557003090	HOSE ASSY	1	EA	18015-01215	
64	1531350027	PROTECTOR	1	EA	sold by the meter	
65	1100051020	BOLT (10TM10 X 20 P/1.5)	4	EA		
66	0557000056	PLATE	1	EA		
67	0557000057	PLATE	1	EA		
68	0557000062	HOSE ASSY	1	EA		
69	1654624015	TRIM	1	EA	sold by the meter	126100162~
-	PNNA	a" is interchangeable with SET "A".		EA		
-	PNNA	B" is interchangeable with SET "b".		EA		
*1	0007213010	BUSHING (CONNECTOR)	1	EA	c	
-	PNNA	"C" is interchangeable with SET "b".		EA		

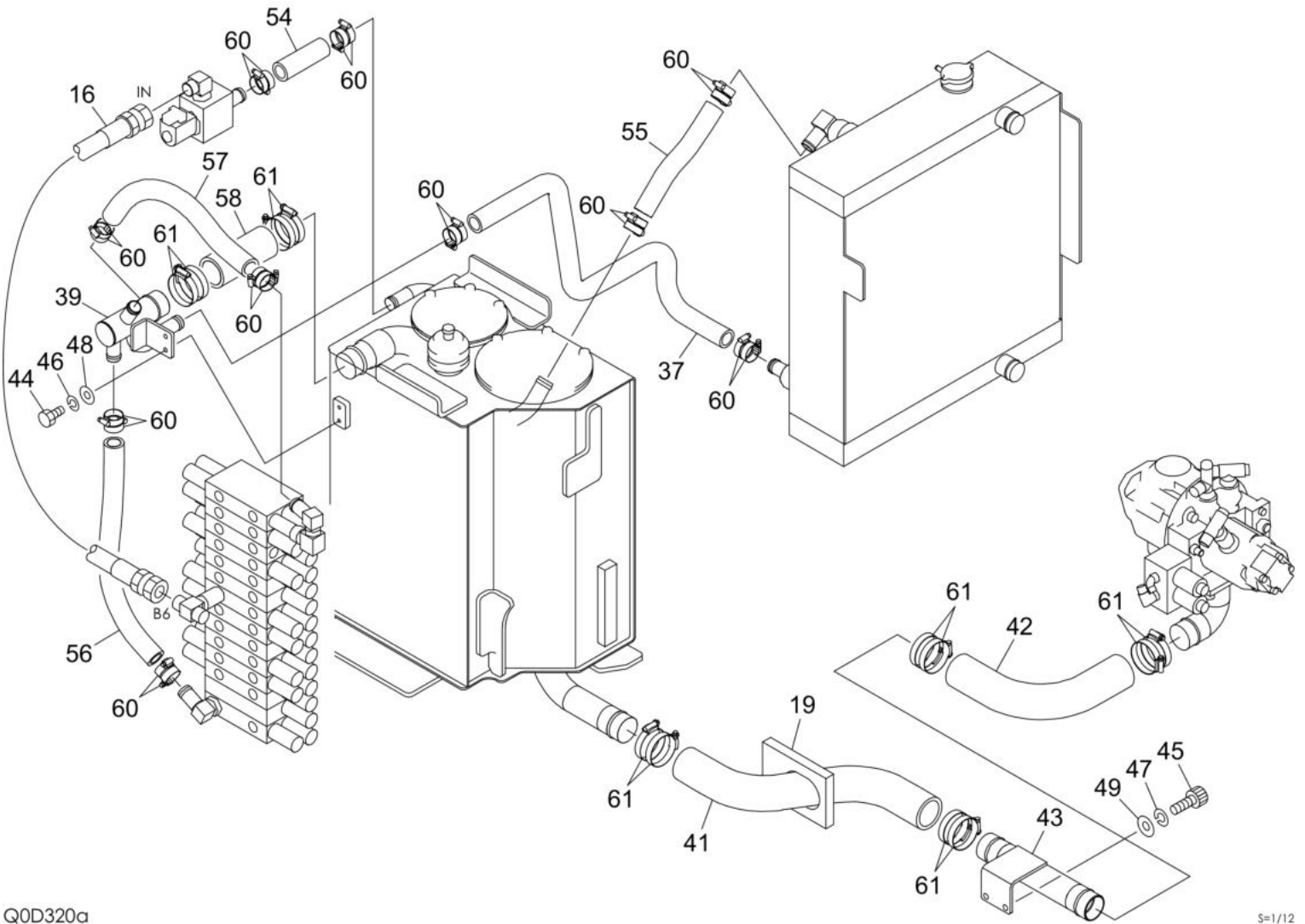
HYDRAULIC PIPING & TANK PIPING; UPPER (3rd aux. line plug type) 3



S=1/12

Item	Part No.	Name	Qty	Uom	Remarks	SERIAL NUMBER
3	0557000009	HOSE ASSY	1	EA	18045-40264	
4	0557000015	HOSE ASSY	1	EA	18045-40265	
5	0557000016	HOSE ASSY	1	EA	18045-40355	
6	0557000017	HOSE ASSY	1	EA	18045-40360	
7	0557000018	HOSE ASSY	1	EA	18015-30240	
8	0557000019	HOSE ASSY	1	EA	18015-30250	
9	0557000021	HOSE ASSY	1	EA	18045-40235	
10	0557000022	HOSE ASSY	1	EA	18045-40245	
12	0557000032	HOSE ASSY	1	EA	18010-22380	
13	0557000033	HOSE ASSY	1	EA	18010-22385	
15	0557000035	HOSE ASSY	1	EA	18045-00290	
17	0557000046	HOSE ASSY	1	EA		
18	0557000047	HOSE ASSY	1	EA		
26	0557003170	HOSE ASSY	1	EA	18045-40084	
27	0557003180	HOSE ASSY	1	EA	18045-40100	
28	0557003190	HOSE ASSY	1	EA	18045-40078	
29	0557003210	HOSE ASSY	1	EA	18045-40100	
30	0557003220	HOSE ASSY	1	EA	18047-20118	
31	0557003230	HOSE ASSY	1	EA	18047-20150	
32	0557003280	HOSE ASSY	1	EA	18015-20080	
33	0557003290	HOSE ASSY	1	EA	18015-20084	
50	1501750002	PLUG (FOR O-RING USE # 1420010110)	2	EA		
50	1420010110	O-RING	1	EA		
53	1515102110	ELBOW	1	EA		
53	1420010110	O-RING	1	EA		

HYDRAULIC PIPING & TANK PIPING; UPPER (3rd aux. line plug type & with auto tank) 1

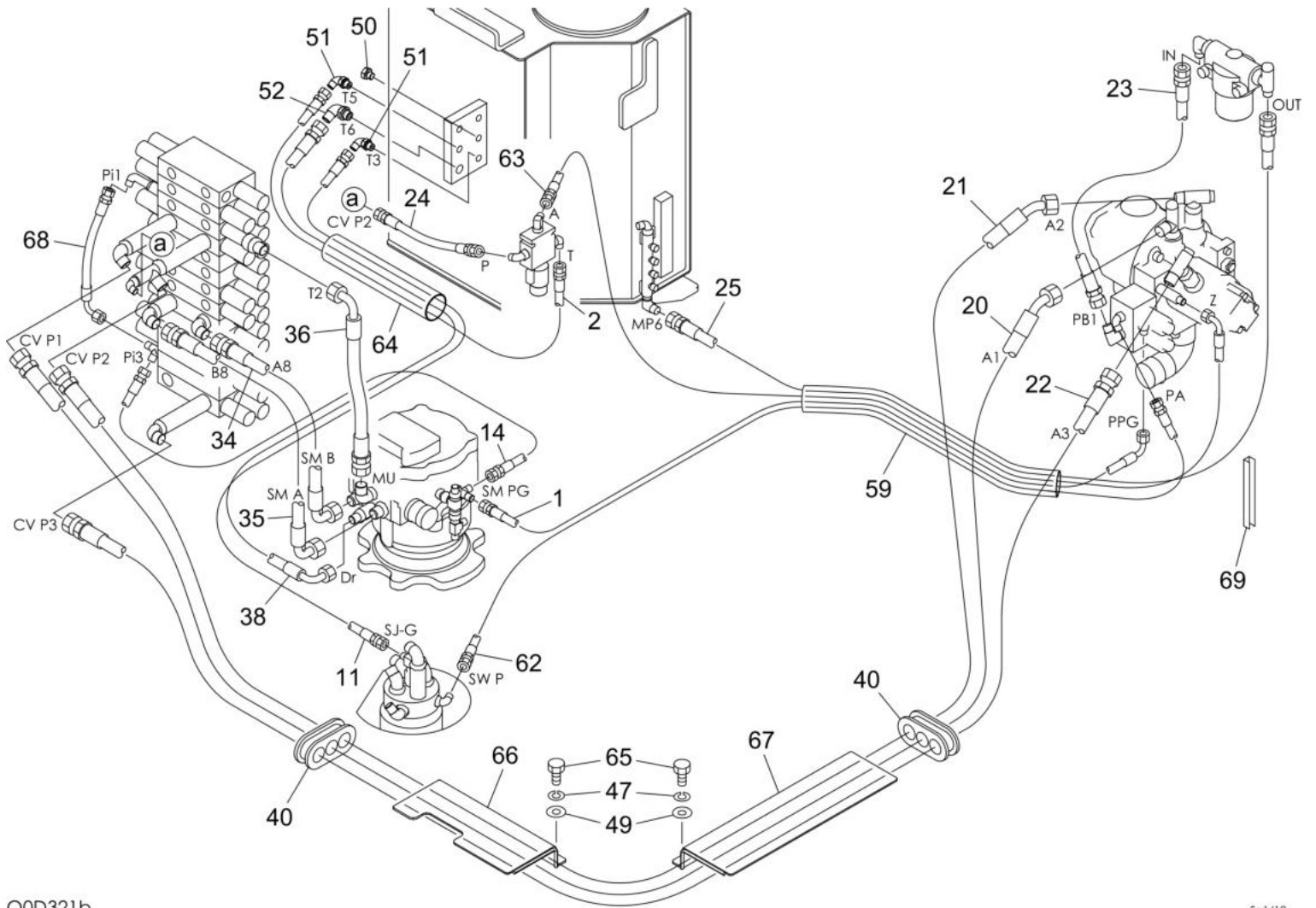


Q0D320a

S=1/12

Item	Part No.	Name	Qty	Uom	Remarks	SERIAL NUMBER
-	PNNA	PIPING ASSY, upper		EA		
16	0557000039	HOSE	1	EA	18015-30060	
19	0557000048	SPONGE	1	EA		
37	0557000074	HOSE (NOT HYDRAULIC HOSE)	1	EA		
39	0557000073	PIPE		EA		
41	0557003840	HOSE	1	EA		
42	0557003850	HOSE	1	EA		
43	0557003860	PIPE	1	EA		
44	1100090816	BOLT	2	EA		
45	1110051030	SCREW, cap (10TM10 X 30 P/1.5)	2	EA		
46	1140020008	WASHER, spring	2	EA		
47	1140020010	WASHER, spring	6	EA		
48	1141110008	WASHER	2	EA		
49	1141110010	WASHER, plain	6	EA		
54	1530525011	HOSE	1	EA	sold by the meter	
55	1530525000	HOSE (SOLD BY THE METER)	1	EA	sold by the meter	
56	1530525000	HOSE (SOLD BY THE METER)	1	EA	sold by the meter	
57	1530525000	HOSE (SOLD BY THE METER)	1	EA	sold by the meter	
58	1530547000	HOSE, suction (SOLD BY THE METER)	1	EA	sold by the meter	
60	1533700041	BAND	20	EA		
61	1533700071	CLAMP	12	EA		

HYDRAULIC PIPING & TANK PIPING; UPPER (3rd aux. line plug type & with auto tank) 2

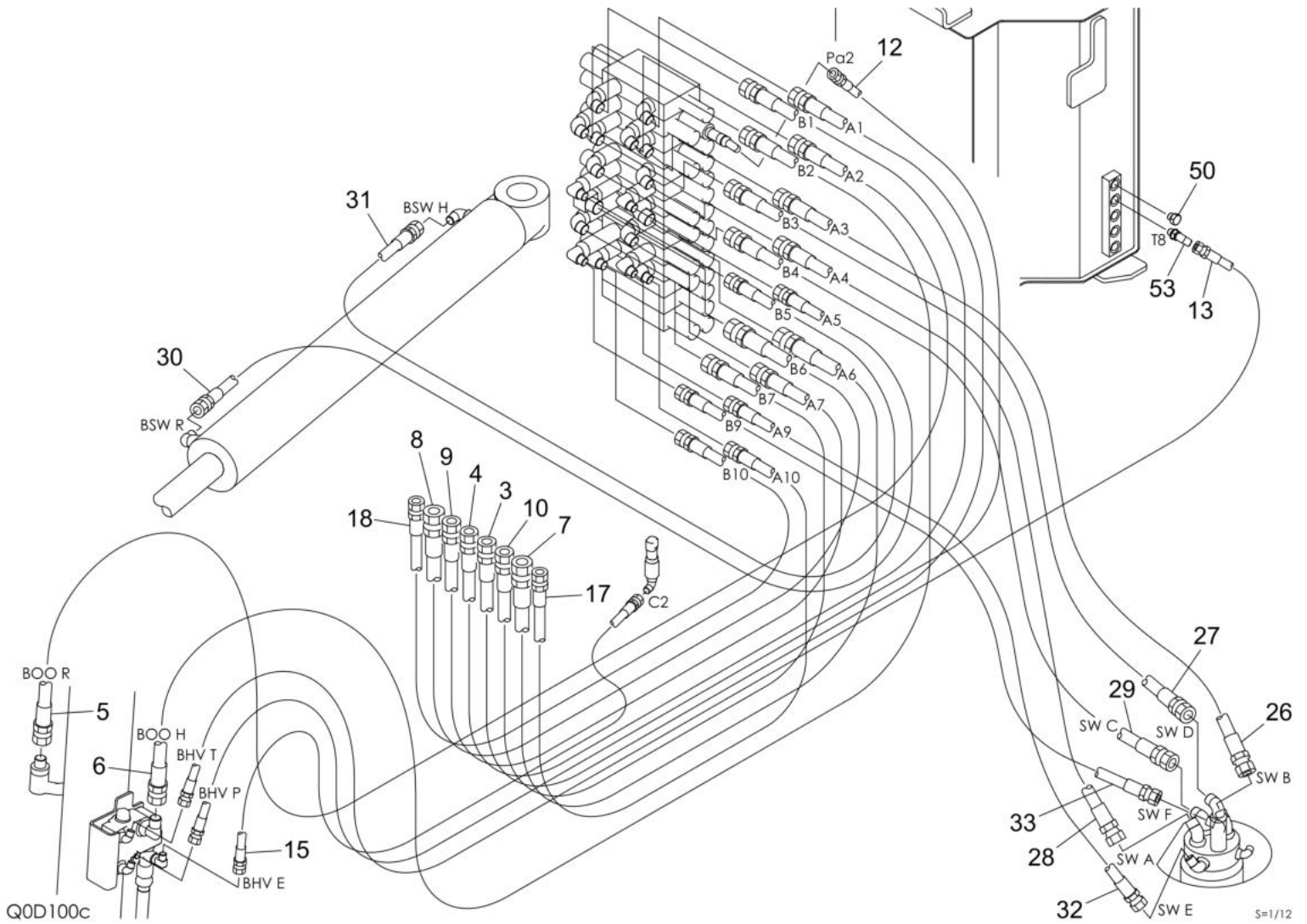


Q0D321b

S=1/12

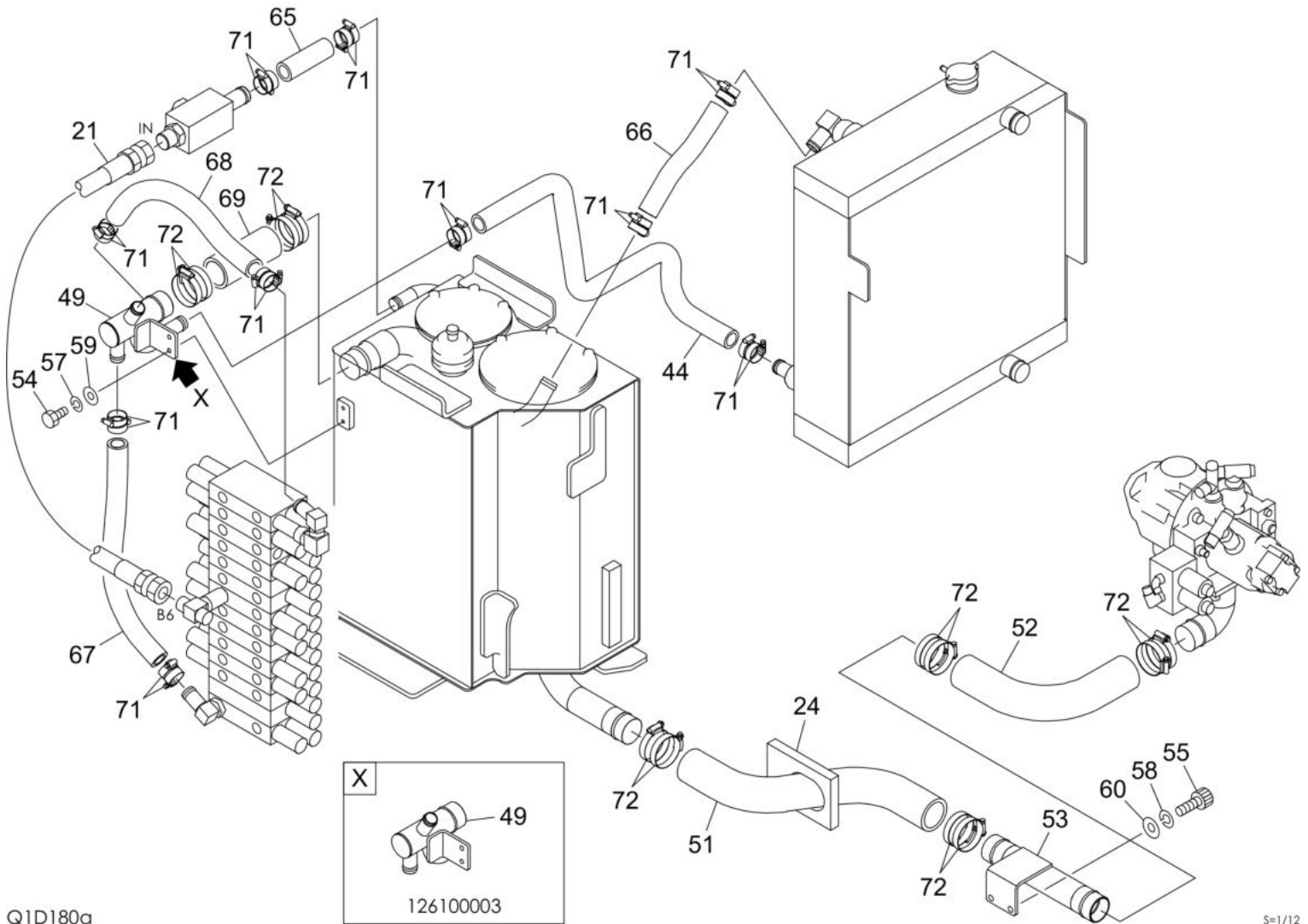
Item	Part No.	Name	Qty	Uom	Remarks	SERIAL NUMBER
1	0557000007	HOSE ASSY	1	EA	18010-52115	
2	0557000008	HOSE ASSY	1	EA	18010-52135	
11	0557000025	HOSE ASSY	1	EA	18010-22105	
14	0557000034	HOSE ASSY	1	EA	18010-22090	
20	0557003010	HOSE ASSY	1	EA		
21	0557000078	HOSE ASSY	1	EA		
22	0557003030	HOSE ASSY	1	EA	18015-40235	
23	0557003050	HOSE ASSY	1	EA	18010-23060	
24	0557003080	HOSE ASSY	1	EA	18045-00030	
25	0557003120	HOSE ASSY	1	EA	18010-23180	
34	0557003310	HOSE ASSY	1	EA	18045-41038	
35	0557003320	HOSE ASSY	1	EA	18045-41050	
36	0557003420	HOSE ASSY	1	EA	18010-54046	
38	0557003710	HOSE ASSY	1	EA	18010-53080	
40	0557003830	GUARD	2	EA		
47	1140020010	WASHER, spring	6	EA		
49	1141110010	WASHER, plain	6	EA		
50	1501750002	PLUG (FOR O-RING USE # 1420010110)	2	EA		
50	1420010110	O-RING	1	EA		
51	1515012040	ELBOW	2	EA		
51	1420010110	O-RING	1	EA		
52	1515010041	ELBOW	1	EA		
52	1420010140	O-RING	1	EA		
59	1531345055	PROTECTOR	1	EA	sold by the meter	
62	0557000052	HOSE ASSY	1	EA	18010-22124	
63	0557003090	HOSE ASSY	1	EA	18015-01215	
64	1531350027	PROTECTOR	1	EA	sold by the meter	
65	1100051020	BOLT (10TM10 X 20 P/1.5)	4	EA		
66	0557000056	PLATE	1	EA		
67	0557000057	PLATE	1	EA		
68	0557000062	HOSE ASSY	1	EA		
69	1654624015	TRIM	1	EA	sold by the meter	126100162~

HYDRAULIC PIPING & TANK PIPING; UPPER (3rd aux. line plug type & with auto tank) 3



Item	Part No.	Name	Qty	Uom	Remarks	SERIAL NUMBER
3	0557000009	HOSE ASSY	1	EA	18045-40264	
4	0557000015	HOSE ASSY	1	EA	18045-40265	
5	0557000016	HOSE ASSY	1	EA	18045-40355	
6	0557000017	HOSE ASSY	1	EA	18045-40360	
7	0557000018	HOSE ASSY	1	EA	18015-30240	
8	0557000019	HOSE ASSY	1	EA	18015-30250	
9	0557000021	HOSE ASSY	1	EA	18045-40235	
10	0557000022	HOSE ASSY	1	EA	18045-40245	
12	0557000032	HOSE ASSY	1	EA	18010-22380	
13	0557000033	HOSE ASSY	1	EA	18010-22385	
15	0557000035	HOSE ASSY	1	EA	18045-00290	
17	0557000046	HOSE ASSY	1	EA		
18	0557000047	HOSE ASSY	1	EA		
26	0557003170	HOSE ASSY	1	EA	18045-40084	
27	0557003180	HOSE ASSY	1	EA	18045-40100	
28	0557003190	HOSE ASSY	1	EA	18045-40078	
29	0557003210	HOSE ASSY	1	EA	18045-40100	
30	0557003220	HOSE ASSY	1	EA	18047-20118	
31	0557003230	HOSE ASSY	1	EA	18047-20150	
32	0557003280	HOSE ASSY	1	EA	18015-20080	
33	0557003290	HOSE ASSY	1	EA	18015-20084	
50	1501750002	PLUG (FOR O-RING USE # 1420010110)	2	EA		
50	1420010110	O-RING	1	EA		
53	1515102110	ELBOW	1	EA		
53	1420010110	O-RING	1	EA		

HYDRAULIC PIPING & TANK PIPING; UPPER (with 3rd aux. line) 1

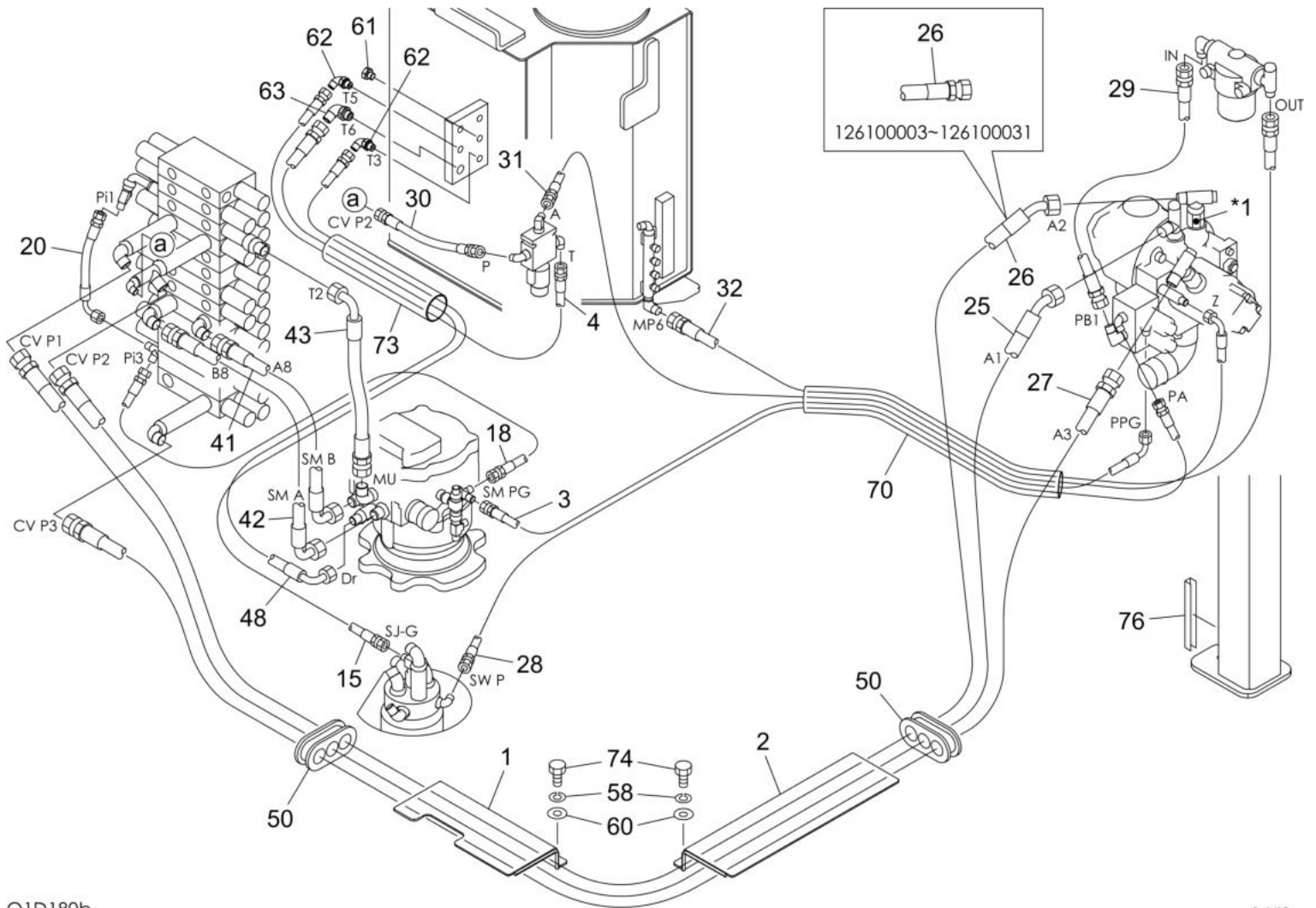


Q1D180a

S=1/12

Item	Part No.	Name	Qty	Uom	Remarks	SERIAL NUMBER
-	PNNA	PIPING ASSY, upper		EA		
21	0557000038	HOSE ASSY	1	EA	18015-30052	
24	0557000048	SPONGE	1	EA		
44	0557003430	HOSE	1	EA		
44	0557000074	HOSE (NOT HYDRAULIC HOSE)	1	EA	a,b	126100004~
49	0557003790	PIPE	1	EA	B	126100003-
49	0557000073	PIPE	1	EA	a,b	126100004~
51	0557003840	HOSE	1	EA		
52	0557003850	HOSE	1	EA		
53	0557003860	PIPE	1	EA		
54	1100090816	BOLT	2	EA		
55	1110051030	SCREW, cap (10TM10 X 30 P/1.5)	2	EA		
57	1140020008	WASHER, spring	2	EA		
58	1140020010	WASHER, spring	6	EA		
59	1141110008	WASHER	2	EA		
60	1141110010	WASHER, plain	6	EA		
65	1530525011	HOSE	1	EA	sold by the meter	
66	1530525000	HOSE (SOLD BY THE METER)	1	EA	sold by the meter	
67	1530525000	HOSE (SOLD BY THE METER)	1	EA	sold by the meter	
68	1530525000	HOSE (SOLD BY THE METER)	1	EA	sold by the meter	
69	1530547000	HOSE, suction (SOLD BY THE METER)	1	EA	sold by the meter	
71	1533700041	BAND	20	EA		
72	1533700071	CLAMP	12	EA		
-	PNNA	"A" is interchangeable with SET "a".		EA		
-	PNNA	"B" is interchangeable with SET "b".		EA		

HYDRAULIC PIPING & TANK PIPING; UPPER (with 3rd aux. line) 2

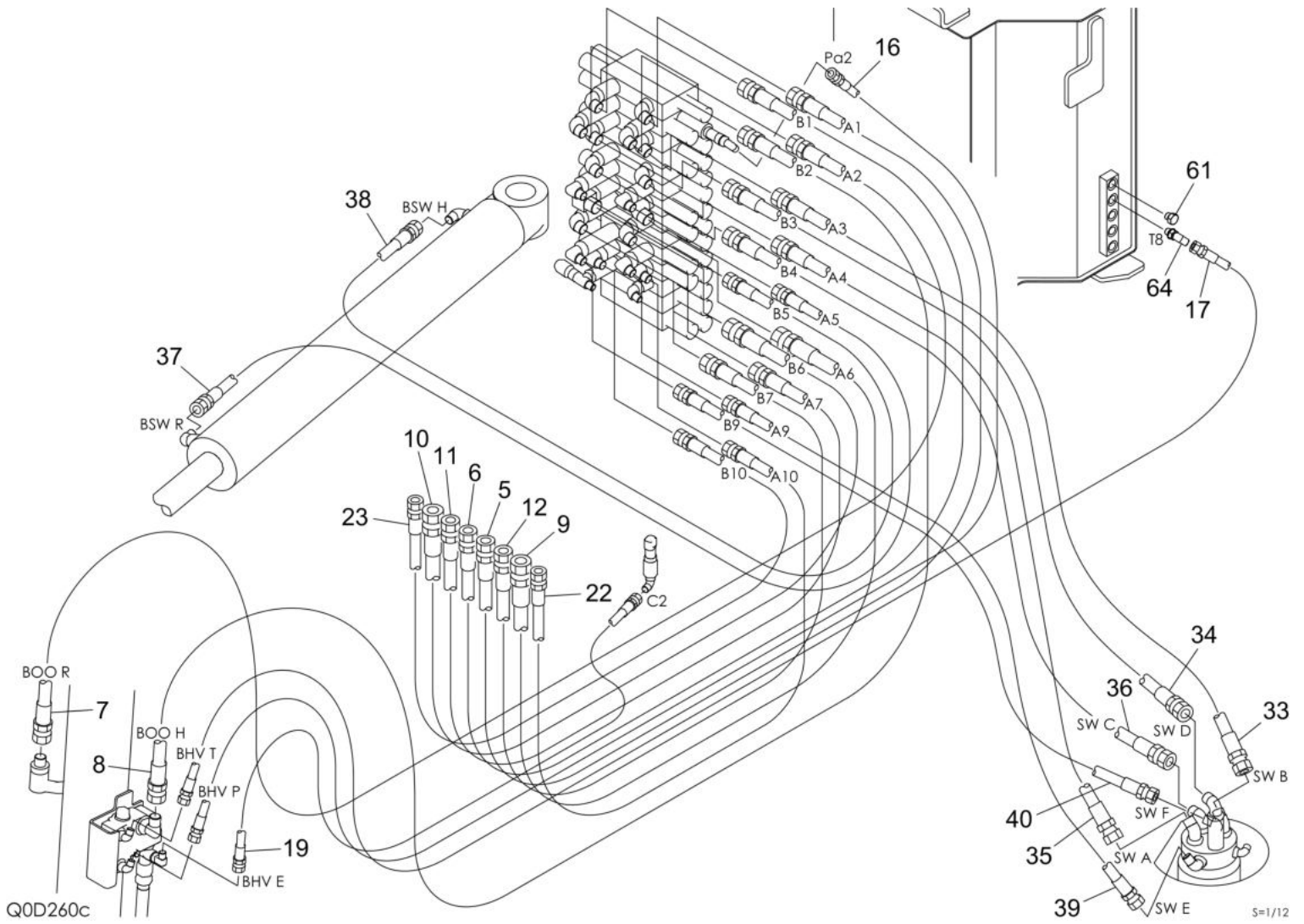


Q1D180b

S=1/12

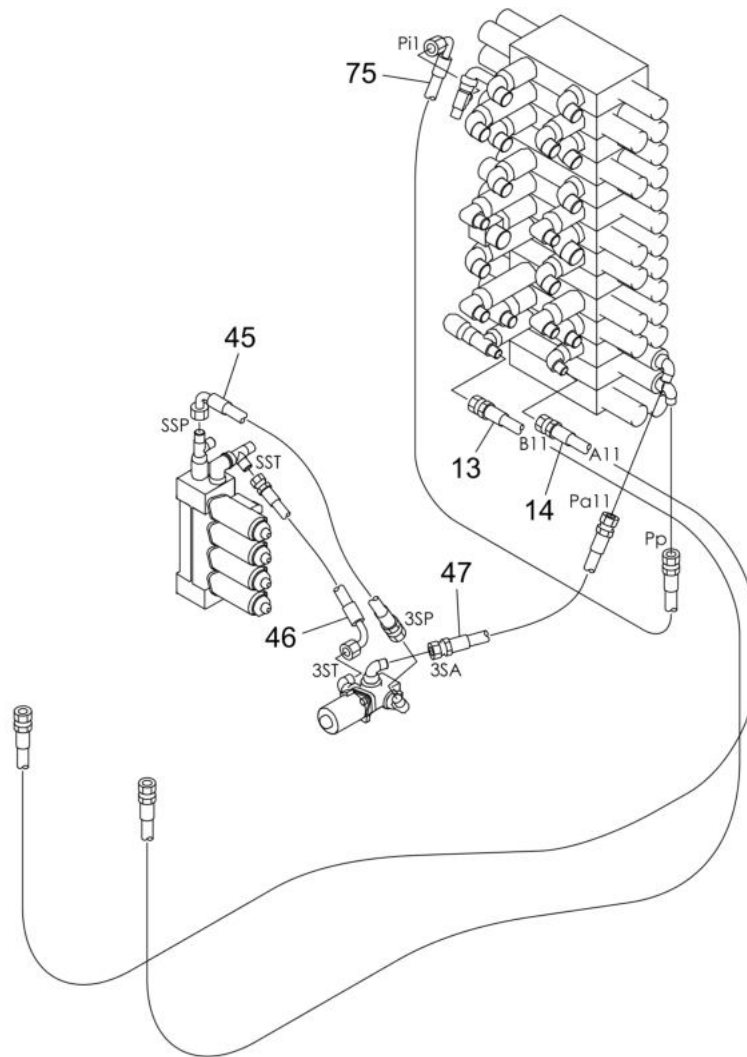
Item	Part No.	Name	Qty	Uom	Remarks	SERIAL NUMBER
1	0557000056	PLATE	1	EA		
2	0557000057	PLATE	1	EA		
3	0557000007	HOSE ASSY	1	EA	18010-52115	
4	0557000008	HOSE ASSY	1	EA	18010-52135	
15	0557000025	HOSE ASSY	1	EA	18010-22105	
18	0557000034	HOSE ASSY	1	EA	18010-22090	
20	0557000037	HOSE ASSY	1	EA	19348-52034	
25	0557003010	HOSE ASSY	1	EA		
26	0557003020	HOSE ASSY	1	EA	C	126100003~126100031
26	0557000078	HOSE ASSY	1	EA	c	126100032~
27	0557003030	HOSE ASSY	1	EA	18015-40235	
28	0557000052	HOSE ASSY	1	EA	18010-22124	
29	0557003050	HOSE ASSY	1	EA	18010-23060	
30	0557003080	HOSE ASSY	1	EA	18045-00030	
31	0557003090	HOSE ASSY	1	EA	18015-01215	
32	0557003120	HOSE ASSY	1	EA	18010-23180	
41	0557003310	HOSE ASSY	1	EA	18045-41038	
42	0557003320	HOSE ASSY	1	EA	18045-41050	
43	0557003420	HOSE ASSY	1	EA	18010-54046	
48	0557003710	HOSE ASSY	1	EA	18010-53080	
50	0557003830	GUARD	2	EA		
58	1140020010	WASHER, spring	6	EA		
60	1141110010	WASHER, plain	6	EA		
61	1501750002	PLUG (FOR O-RING USE # 1420010110)	2	EA		
61	1420010110	O-RING	1	EA		
62	1515012040	ELBOW	2	EA		
62	1420010110	O-RING	1	EA		
63	1515010041	ELBOW	1	EA		
63	1420010140	O-RING	1	EA		
70	1531345055	PROTECTOR	1	EA	sold by the meter	
73	1531350027	PROTECTOR	1	EA	sold by the meter	
74	1100051020	BOLT (10TM10 X 20 P/1.5)	4	EA		
76	1654624015	TRIM	1	EA	sold by the meter	126100162~
-	PNNA	"A" is interchangeable with SET "a".		EA		
-	PNNA	"B" is interchangeable with SET "b".		EA		
*1	0007213010	BUSHING (CONNECTOR)	1	EA	c	
-	PNNA	"C" is interchangeable with SET "b".		EA		

HYDRAULIC PIPING & TANK PIPING; UPPER (with 3rd aux. line) 3



Item	Part No.	Name	Qty	Uom	Remarks	SERIAL NUMBER
5	0557000009	HOSE ASSY	1	EA	18045-40264	
6	0557000015	HOSE ASSY	1	EA	18045-40265	
7	0557000016	HOSE ASSY	1	EA	18045-40355	
8	0557000017	HOSE ASSY	1	EA	18045-40360	
9	0557000018	HOSE ASSY	1	EA	18015-30240	
10	0557000019	HOSE ASSY	1	EA	18015-30250	
11	0557000021	HOSE ASSY	1	EA	18045-40235	
12	0557000022	HOSE ASSY	1	EA	18045-40245	
16	0557000032	HOSE ASSY	1	EA	18010-22380	
17	0557000033	HOSE ASSY	1	EA	18010-22385	
19	0557000035	HOSE ASSY	1	EA	18045-00290	
22	0557000046	HOSE ASSY	1	EA		
23	0557000047	HOSE ASSY	1	EA		
33	0557003170	HOSE ASSY	1	EA	18045-40084	
34	0557003180	HOSE ASSY	1	EA	18045-40100	
35	0557003190	HOSE ASSY	1	EA	18045-40078	
36	0557003210	HOSE ASSY	1	EA	18045-40100	
37	0557003220	HOSE ASSY	1	EA	18047-20118	
38	0557003230	HOSE ASSY	1	EA	18047-20150	
39	0557003280	HOSE ASSY	1	EA	18015-20080	
40	0557003290	HOSE ASSY	1	EA	18015-20084	
61	1501750002	PLUG (FOR O-RING USE # 1420010110)	2	EA		
61	1420010110	O-RING	1	EA		
64	1515102110	ELBOW	1	EA		
64	1420010110	O-RING	1	EA		

HYDRAULIC PIPING & TANK PIPING; UPPER (with 3rd aux. line) 4

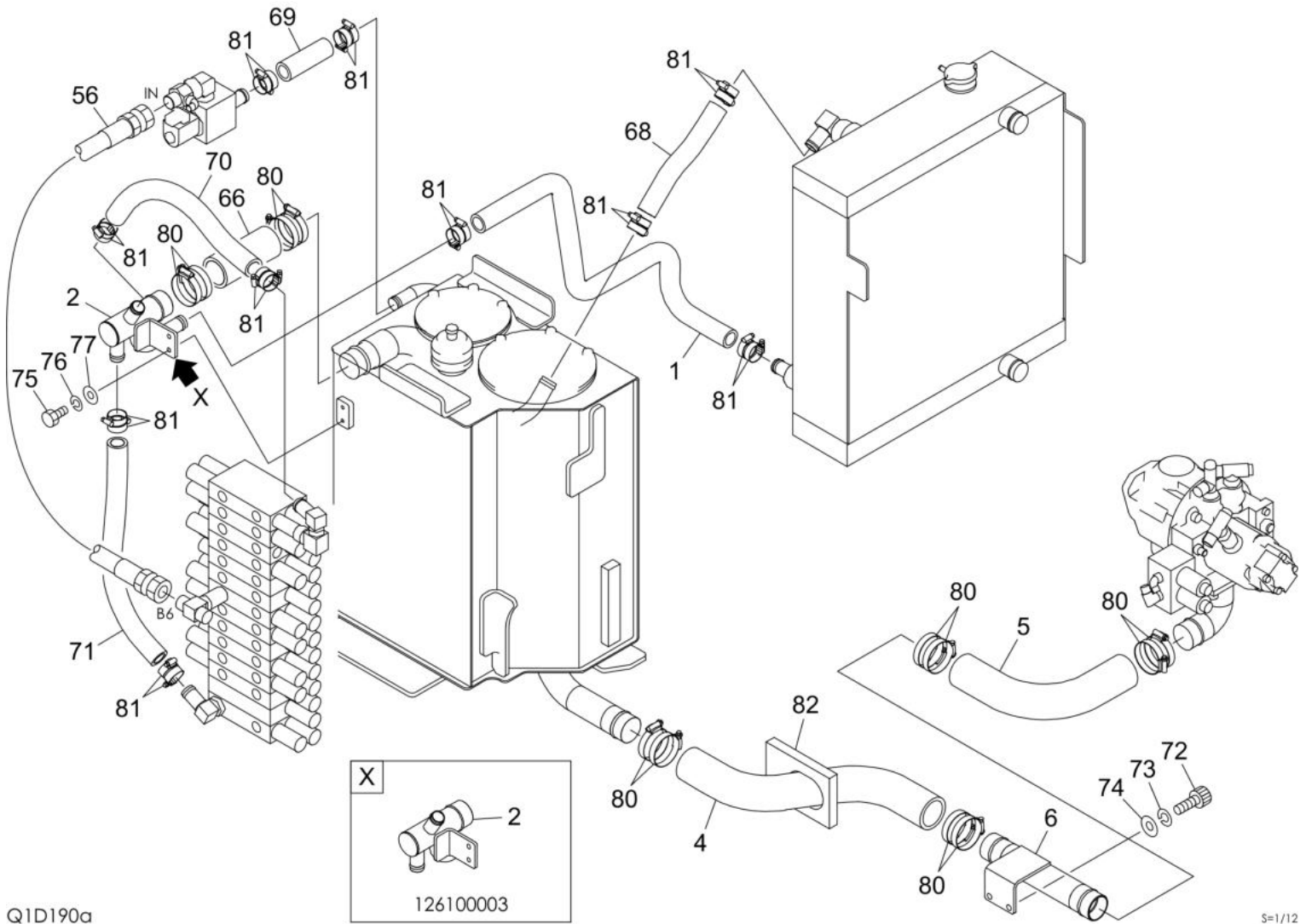


Q0D260d

S=1/10

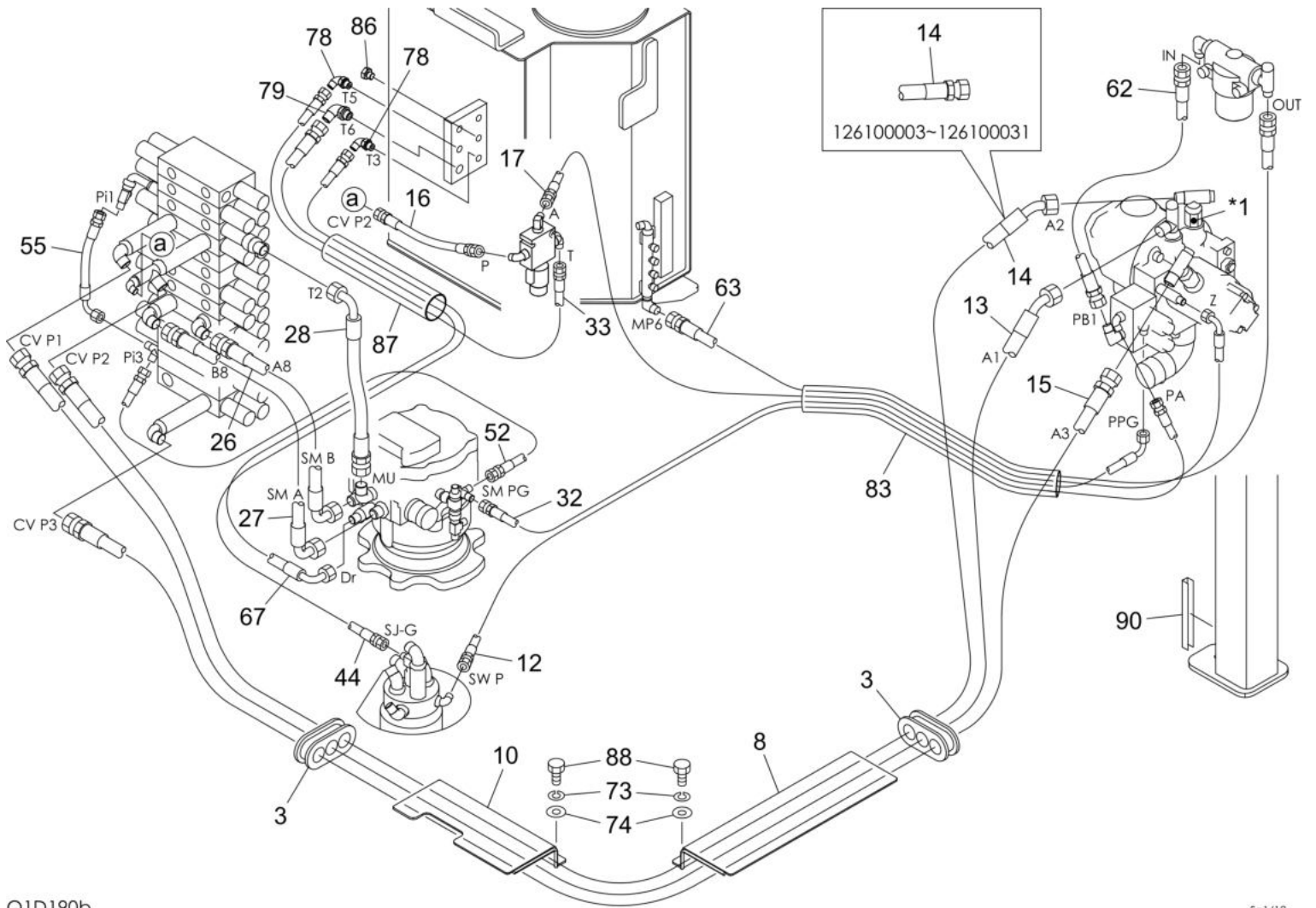
Item	Part No.	Name	Qty	Uom	Remarks	SERIAL NUMBER
13	0557000023	HOSE	1	EA	18010-22245	
14	0557000024	HOSE	1	EA	18015-00235	
45	0557003520	HOSE	1	EA	19348-52046	
46	0557003530	HOSE	1	EA	19348-52028	
47	0557003540	HOSE	1	EA	19348-22025	
75	0557000036	HOSE	1	EA	19348-52078	

HYDRAULIC PIPING & TANK PIPING; UPPER (with 4th aux. line, auto tank & auto pressure release) 1



Item	Part No.	Name	Qty	Uom	Remarks	SERIAL NUMBER
-	PNNA	PIPING ASSY, upper		EA		
1	0557003430	HOSE	1	EA	A	126100003-
1	0557000074	HOSE (NOT HYDRAULIC HOSE)	1	EA	a,b	126100004~
2	0557003790	PIPE	1	EA	B	126100003-
2	0557000073	PIPE	1	EA	a,b	126100004~
4	0557003840	HOSE	1	EA		
5	0557003850	HOSE	1	EA		
6	0557003860	PIPE	1	EA		
56	0557000039	HOSE	1	EA	18015-30060	
66	1530547000	HOSE, suction (SOLD BY THE METER)	1	EA	sold by the meter	
68	1530525000	HOSE (SOLD BY THE METER)	1	EA	sold by the meter	
69	1530525011	HOSE	1	EA	sold by the meter	
70	1530525000	HOSE (SOLD BY THE METER)	1	EA	sold by the meter	
71	1530525000	HOSE (SOLD BY THE METER)	1	EA	sold by the meter	
72	1110051030	SCREW, cap (10TM10 X 30 P/1.5)	2	EA		
73	1140020010	WASHER, spring	6	EA		
74	1141110010	WASHER, plain	6	EA		
75	1100090816	BOLT	2	EA		
76	1140020008	WASHER, spring	2	EA		
77	1141110008	WASHER	2	EA		
80	1533700071	CLAMP	12	EA		
81	1533700041	BAND	20	EA		
82	0557000048	SPONGE	1	EA		
-	PNNA	"A" is interchangeable with SET "a".		EA		
-	PNNA	B" is interchangeable with SET "b".		EA		

HYDRAULIC PIPING & TANK PIPING; UPPER (with 4th aux. line, auto tank & auto pressure release) 2

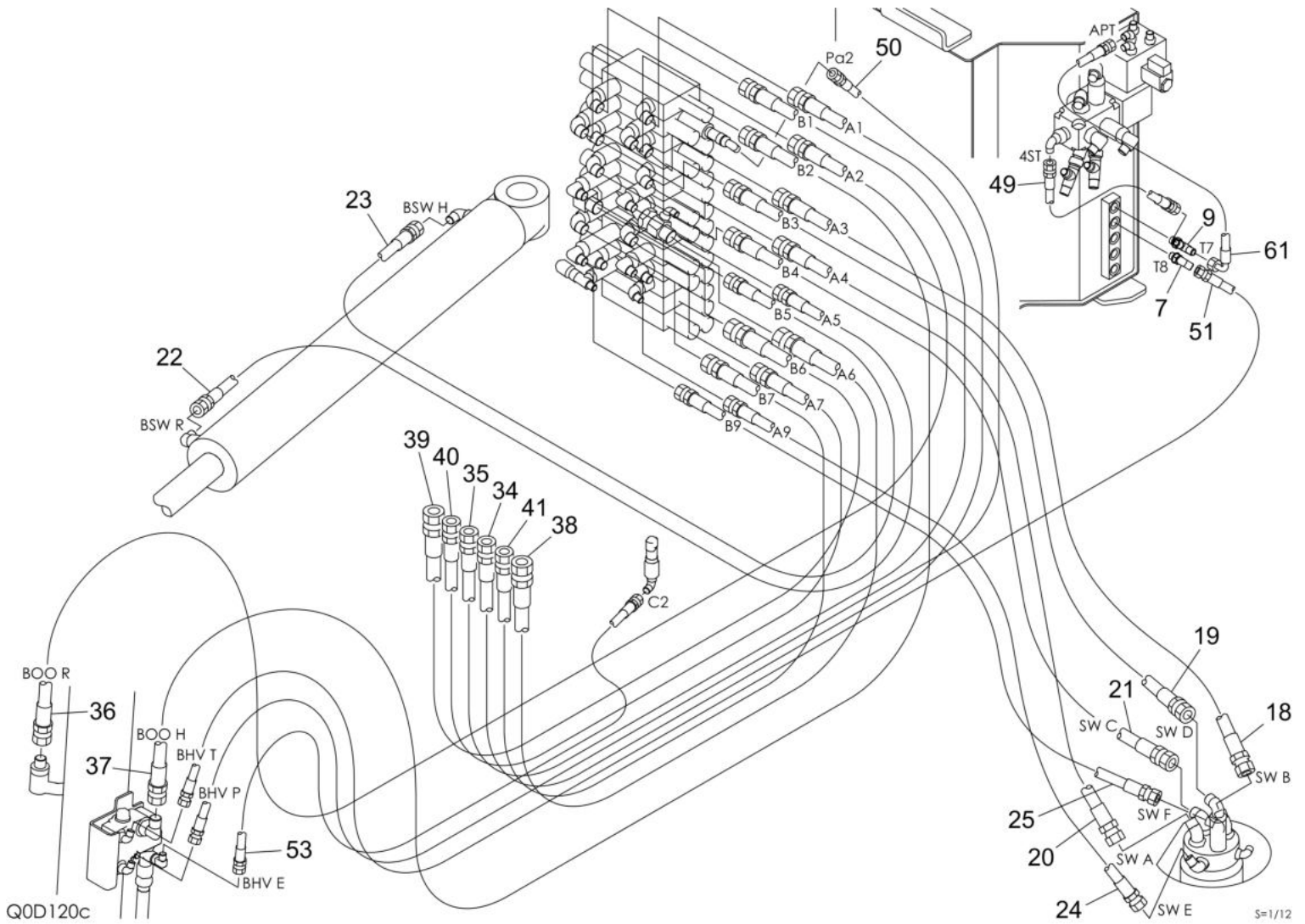


Q1D190b

S=1/12

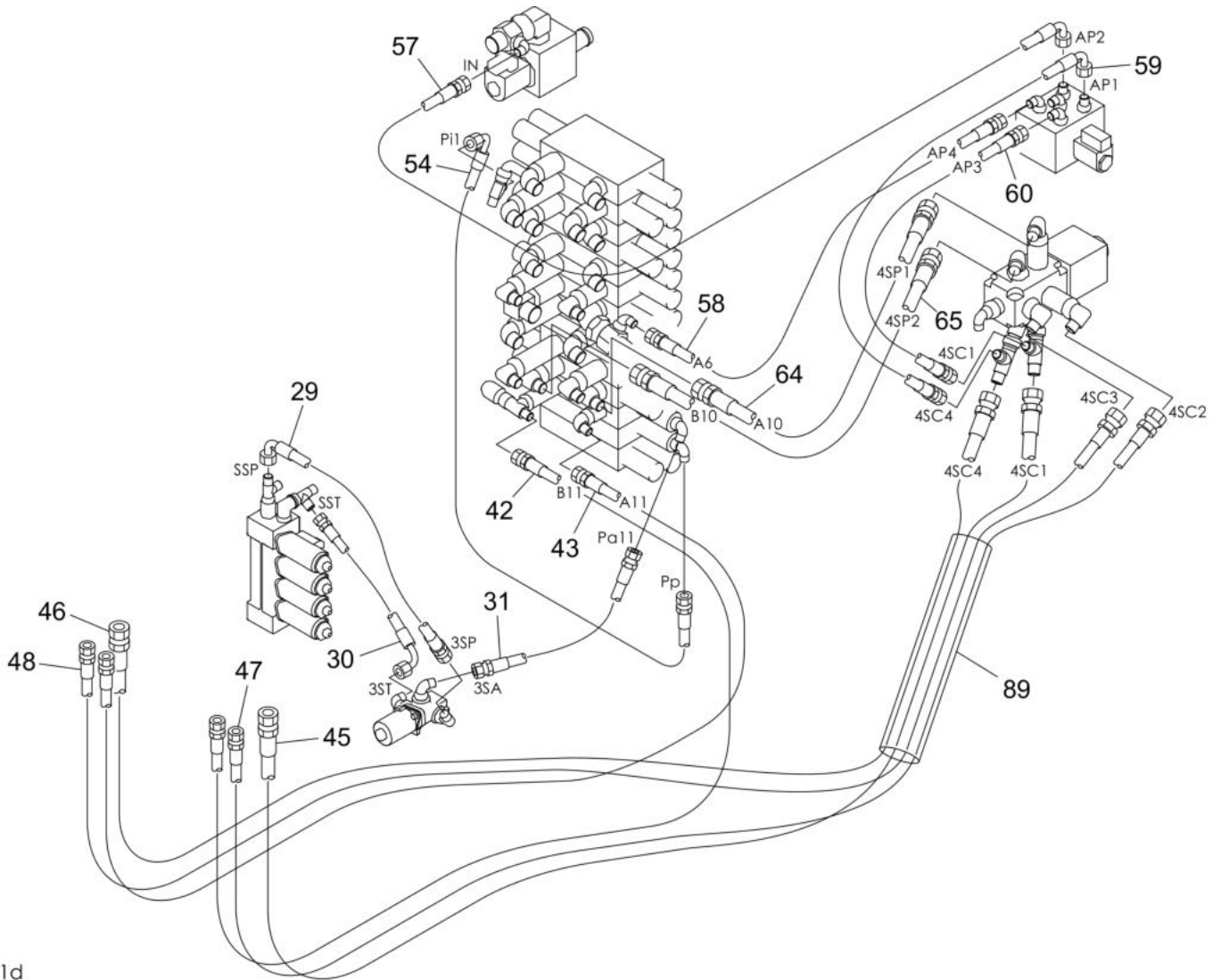
Item	Part No.	Name	Qty	Uom	Remarks	SERIAL NUMBER
3	0557003830	GUARD	2	EA		
8	0557000057	PLATE	1	EA		
10	0557000056	PLATE	1	EA		
12	0557000052	HOSE ASSY	1	EA	18010-22124	
13	0557003010	HOSE ASSY	1	EA		
14	0557003020	HOSE ASSY	1	EA	C	126100003~126100031
14	0557000078	HOSE ASSY	1	EA	c	126100032~
15	0557003030	HOSE ASSY	1	EA	18015-40235	
16	0557003080	HOSE ASSY	1	EA	18045-00030	
17	0557003090	HOSE ASSY	1	EA	18015-01215	
26	0557003310	HOSE ASSY	1	EA	18045-41038	
27	0557003320	HOSE ASSY	1	EA	18045-41050	
28	0557003420	HOSE ASSY	1	EA	18010-54046	
32	0557000007	HOSE ASSY	1	EA	18010-52115	
33	0557000008	HOSE ASSY	1	EA	18010-52135	
44	0557000025	HOSE ASSY	1	EA	18010-22105	
52	0557000034	HOSE ASSY	1	EA	18010-22090	
55	0557000037	HOSE ASSY	1	EA	19348-52034	
62	0557003050	HOSE ASSY	1	EA	18010-23060	
63	0557003120	HOSE ASSY	1	EA	18010-23180	
67	0557003710	HOSE ASSY	1	EA	18010-53080	
73	1140020010	WASHER, spring	6	EA		
74	1141110010	WASHER, plain	6	EA		
78	1515012040	ELBOW	2	EA		
78	1420010110	O-RING	1	EA		
79	1515010041	ELBOW	1	EA		
79	1420010140	O-RING	1	EA		
83	1531345055	PROTECTOR	1	EA	sold by the meter	
86	1501750002	PLUG (FOR O-RING USE # 1420010110)	1	EA		
86	1420010110	O-RING	1	EA		
87	1531350027	PROTECTOR	1	EA	sold by the meter	
88	1100051020	BOLT (10TM10 X 20 P/1.5)	4	EA		
90	1654624015	TRIM	1	EA	sold by the meter	126100162~
-	PNNA	a" is interchangeable with SET "A".		EA		
-	PNNA	B" is interchangeable with SET "b".		EA		
*1	0007213010	BUSHING (CONNECTOR)	1	EA	c	
-	PNNA	"C" is interchangeable with SET "b".		EA		

HYDRAULIC PIPING & TANK PIPING; UPPER (with 4th aux. line, auto tank & auto pressure release) 3



Item	Part No.	Name	Qty	Uom	Remarks	SERIAL NUMBER
7	1515102110	ELBOW	1	EA		
7	1420010110	O-RING	1	EA		
9	1512370011	TEE	1	EA		
9	1420010110	O-RING	1	EA		
18	0557003170	HOSE ASSY	1	EA	18045-40084	
19	0557003180	HOSE ASSY	1	EA	18045-40100	
20	0557003190	HOSE ASSY	1	EA	18045-40078	
21	0557003210	HOSE ASSY	1	EA	18045-40100	
22	0557003220	HOSE ASSY	1	EA	18047-20118	
23	0557003230	HOSE ASSY	1	EA	18047-20150	
24	0557003280	HOSE ASSY	1	EA	18015-20080	
25	0557003290	HOSE ASSY	1	EA	18015-20084	
34	0557000009	HOSE ASSY	1	EA	18045-40264	
35	0557000015	HOSE ASSY	1	EA	18045-40265	
36	0557000016	HOSE ASSY	1	EA	18045-40355	
37	0557000017	HOSE ASSY	1	EA	18045-40360	
38	0557000018	HOSE ASSY	1	EA	18015-30240	
39	0557000019	HOSE ASSY	1	EA	18015-30250	
40	0557000021	HOSE ASSY	1	EA	18045-40235	
41	0557000022	HOSE ASSY	1	EA	18045-40245	
49	0557000031	HOSE ASSY	1	EA	18010-22036	
50	0557000032	HOSE ASSY	1	EA	18010-22380	
51	0557000033	HOSE ASSY	1	EA	18010-22385	
53	0557000035	HOSE ASSY	1	EA	18045-00290	
61	0557000045	HOSE ASSY	1	EA	18010-52072	

HYDRAULIC PIPING & TANK PIPING; UPPER (with 4th aux. line, auto tank & auto pressure release) 4

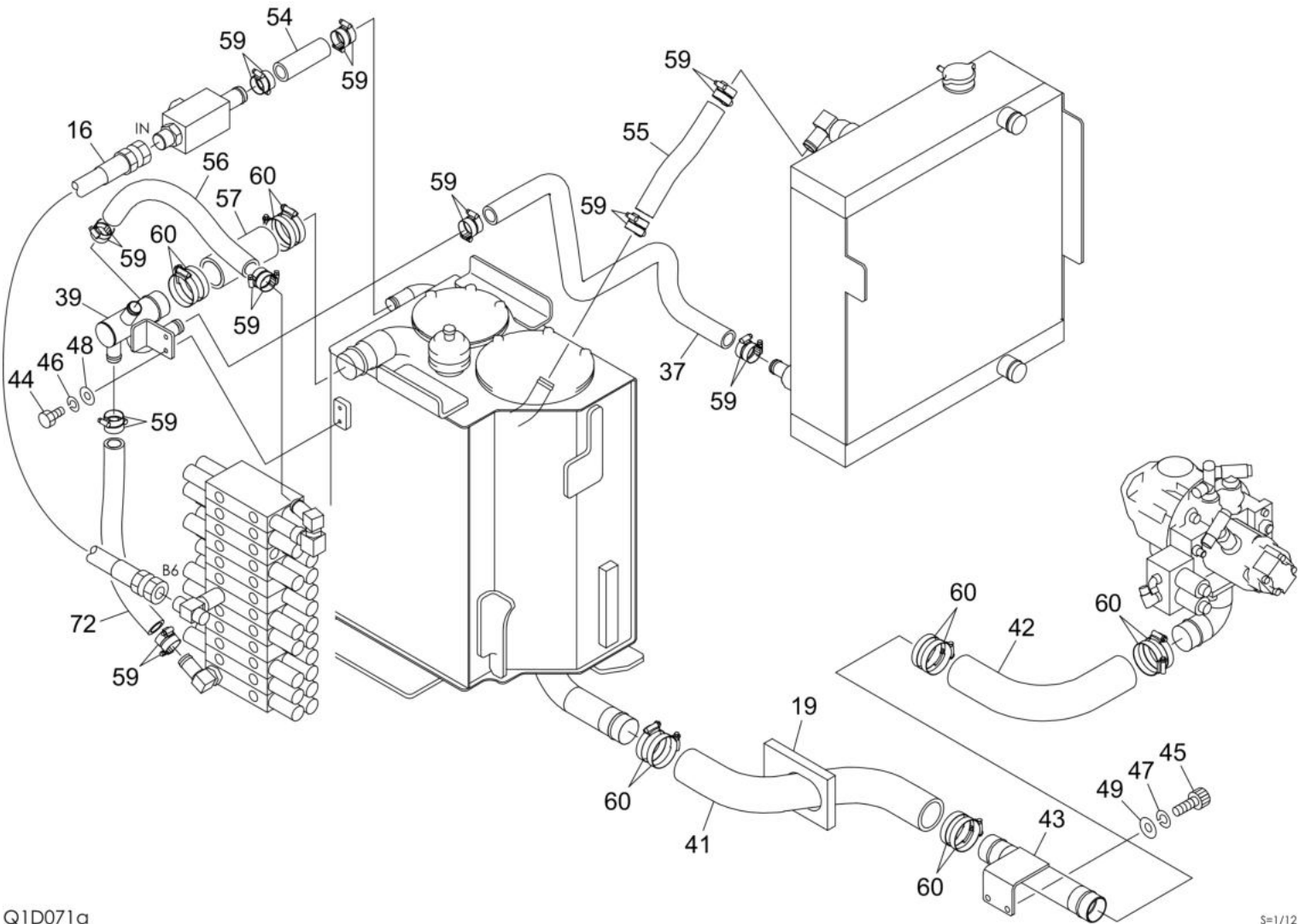


Q0D121d

S=1/10

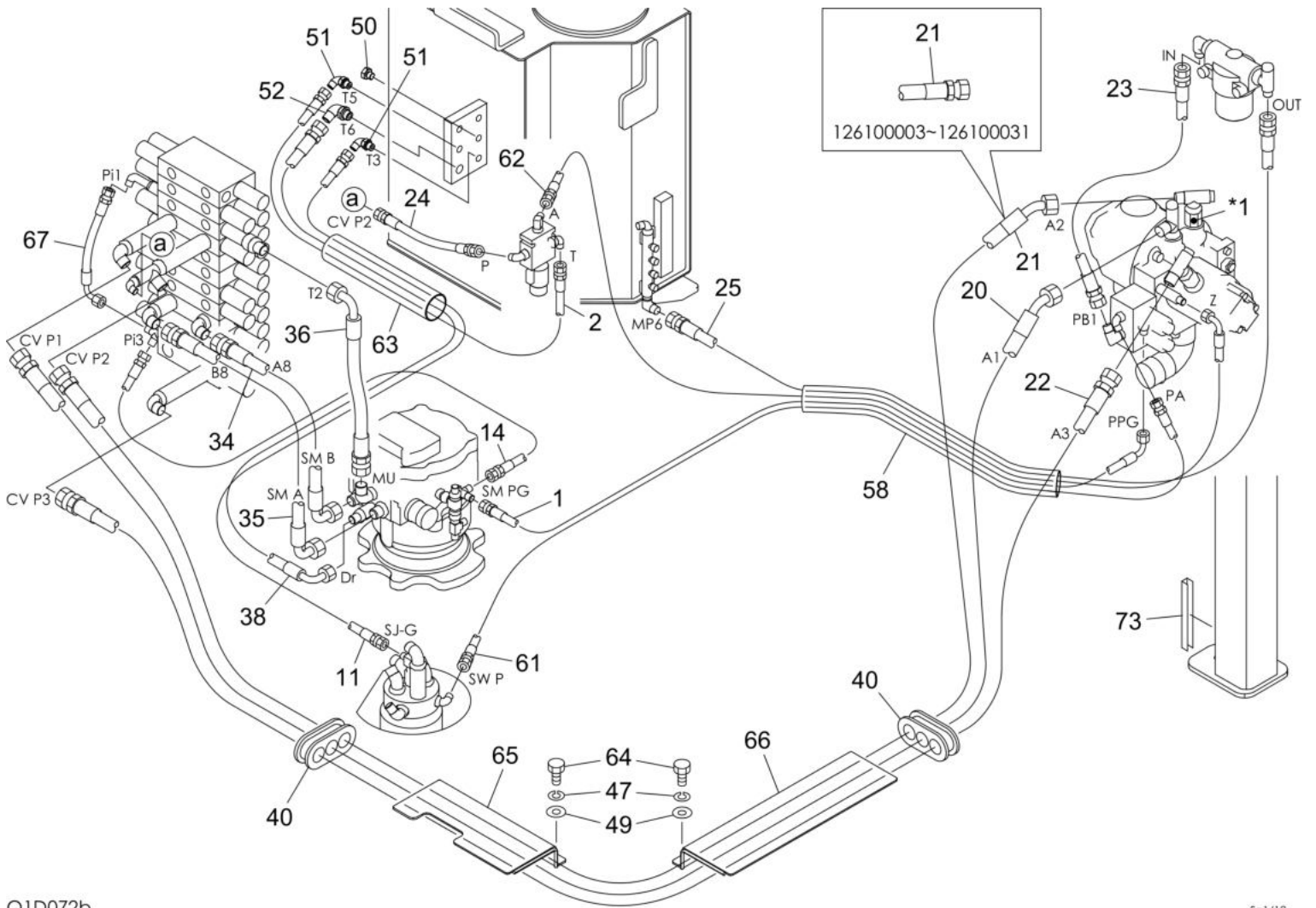
Item	Part No.	Name	Qty	Uom	Remarks	SERIAL NUMBER
29	0557003520	HOSE	1	EA	19348-52046	
30	0557003530	HOSE	1	EA	19348-52028	
31	0557003540	HOSE	1	EA	19348-22025	
42	0557000023	HOSE	1	EA	18010-22245	
43	0557000024	HOSE	1	EA	18015-00235	
45	0557000026	HOSE ASSY	1	EA		
46	0557000027	HOSE ASSY	1	EA		
47	0557000028	HOSE ASSY	1	EA		
48	0557000029	HOSE ASSY	1	EA		
54	0557000036	HOSE	1	EA	19348-52078	
57	0557000041	HOSE ASSY	1	EA	18015-01105	
58	0557000042	HOSE ASSY	1	EA	18015-00058	
59	0557000043	HOSE ASSY	1	EA	18015-01052	
60	0557000044	HOSE ASSY	1	EA	18015-00044	
64	0557003330	HOSE ASSY	1	EA	18015-20074	
65	0557003340	HOSE ASSY	1	EA	18015-20074	
89	1531350050	PROTECTOR	1	EA	sold by the meter	

HYDRAULIC PIPING & TANK PIPING; UPPER (with blade float) 1



Item	Part No.	Name	Qty	Uom	Remarks	SERIAL NUMBER
-	PNNA	PIPING ASSY, upper		EA		
16	0557000038	HOSE ASSY	1	EA	18015-30052	
19	0557000048	SPONGE	1	EA		
37	0557000074	HOSE (NOT HYDRAULIC HOSE)	1	EA		
39	0557000073	PIPE	1	EA		
41	0557003840	HOSE	1	EA		
42	0557003850	HOSE	1	EA		
43	0557003860	PIPE	1	EA		
44	1100090816	BOLT	2	EA		
45	1110051030	SCREW, cap (10TM10 X 30 P/1.5)	2	EA		
46	1140020008	WASHER, spring	2	EA		
47	1140020010	WASHER, spring	6	EA		
48	1141110008	WASHER	2	EA		
49	1141110010	WASHER, plain	6	EA		
54	1530525011	HOSE	1	EA	sold by the meter	
55	1530525000	HOSE (SOLD BY THE METER)	1	EA	sold by the meter	
56	1530525000	HOSE (SOLD BY THE METER)	1	EA	sold by the meter	
57	1530547000	HOSE, suction (SOLD BY THE METER)	1	EA	sold by the meter	
59	1533700041	BAND	20	EA		
60	1533700071	CLAMP	12	EA		
72	1530525042	HOSE	1	EA	sold by the meter	

HYDRAULIC PIPING & TANK PIPING; UPPER (with blade float) 2

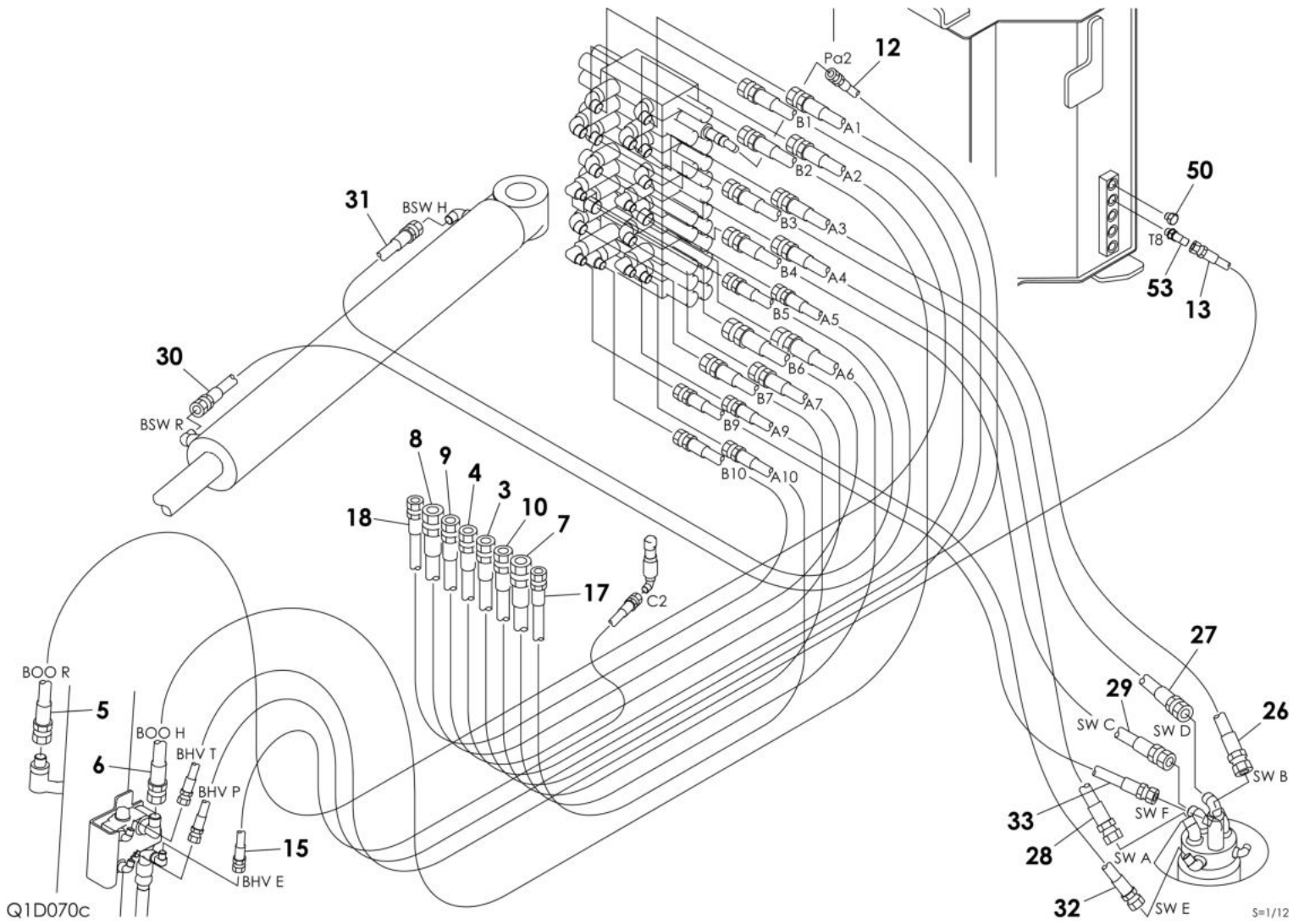


Q1D072b

S=1/12

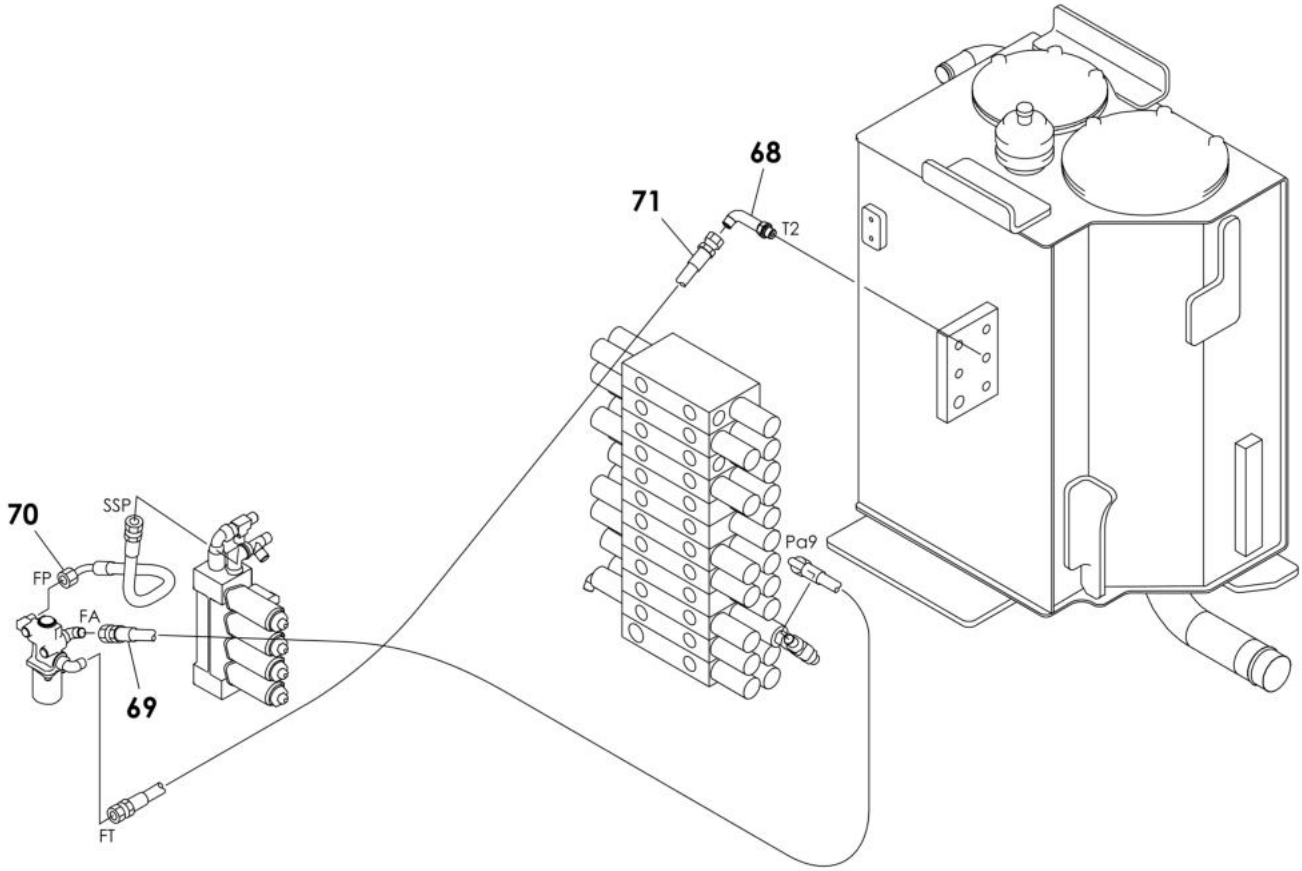
Item	Part No.	Name	Qty	Uom	Remarks	SERIAL NUMBER
1	0557000007	HOSE ASSY	1	EA	18010-52115	
2	0557000008	HOSE ASSY	1	EA	18010-52135	
11	0557000025	HOSE ASSY	1	EA	18010-22105	
14	0557000034	HOSE ASSY	1	EA	18010-22090	
20	0557003010	HOSE ASSY	1	EA		
21	0557003020	HOSE ASSY	1	EA	A	126100003~126100031
21	0557000078	HOSE ASSY	1	EA	a	126100032~
22	0557003030	HOSE ASSY	1	EA	18015-40235	
23	0557003050	HOSE ASSY	1	EA	18010-23060	
24	0557003080	HOSE ASSY	1	EA	18045-00030	
25	0557003120	HOSE ASSY	1	EA	18010-23180	
34	0557003310	HOSE ASSY	1	EA	18045-41038	
35	0557003320	HOSE ASSY	1	EA	18045-41050	
36	0557003420	HOSE ASSY	1	EA	18010-54046	
38	0557003710	HOSE ASSY	1	EA	18010-53080	
40	0557003830	GUARD	2	EA		
47	1140020010	WASHER, spring	6	EA		
49	1141110010	WASHER, plain	6	EA		
50	1501750002	PLUG (FOR O-RING USE # 1420010110)	2	EA		
50	1420010110	O-RING	1	EA		
51	1515012040	ELBOW	2	EA		
51	1420010110	O-RING	1	EA		
52	1515010041	ELBOW	1	EA		
52	1420010140	O-RING	1	EA		
58	1531345055	PROTECTOR	1	EA	sold by the meter	
61	0557000052	HOSE ASSY	1	EA	18010-22124	
62	0557003090	HOSE ASSY	1	EA	18015-01215	
63	1531350027	PROTECTOR	1	EA	sold by the meter	
64	1100051020	BOLT (10TM10 X 20 P/1.5)	4	EA		
65	0557000056	PLATE	1	EA		
66	0557000057	PLATE	1	EA		
67	0557000037	HOSE ASSY	1	EA		
73	1654624015	TRIM	1	EA	sold by the meter	
*1	0007213010	BUSHING (CONNECTOR)	1	EA	a	
-	PNNA	"A" is interchangeable with SET "a".		EA		

HYDRAULIC PIPING & TANK PIPING; UPPER (with blade float) 3



Item	Part No.	Name	Qty	Uom	Remarks	SERIAL NUMBER
3	0557000009	HOSE ASSY	1	EA	18045-40264	
4	0557000015	HOSE ASSY	1	EA	18045-40265	
5	0557000016	HOSE ASSY	1	EA	18045-40355	
6	0557000017	HOSE ASSY	1	EA	18045-40360	
7	0557000018	HOSE ASSY	1	EA	18015-30240	
8	0557000019	HOSE ASSY	1	EA	18015-30250	
9	0557000021	HOSE ASSY	1	EA	18045-40235	
10	0557000022	HOSE ASSY	1	EA	18045-40245	
12	0557000032	HOSE ASSY	1	EA	18010-22380	
13	0557000033	HOSE ASSY	1	EA	18010-22385	
15	0557000035	HOSE ASSY	1	EA	18045-00290	
17	0557000046	HOSE ASSY	1	EA		
18	0557000047	HOSE ASSY	1	EA		
26	0557003170	HOSE ASSY	1	EA	18045-40084	
27	0557003180	HOSE ASSY	1	EA	18045-40100	
28	0557003190	HOSE ASSY	1	EA	18045-40078	
29	0557003210	HOSE ASSY	1	EA	18045-40100	
30	0557003220	HOSE ASSY	1	EA	18047-20118	
31	0557003230	HOSE ASSY	1	EA	18047-20150	
32	0557003280	HOSE ASSY	1	EA	18015-20080	
33	0557003290	HOSE ASSY	1	EA	18015-20084	
50	1501750002	PLUG (FOR O-RING USE # 1420010110)	2	EA		
50	1420010110	O-RING	1	EA		
53	1515102110	ELBOW	1	EA		
53	1420010110	O-RING	1	EA		

HYDRAULIC PIPING & TANK PIPING; UPPER (with blade float) 4

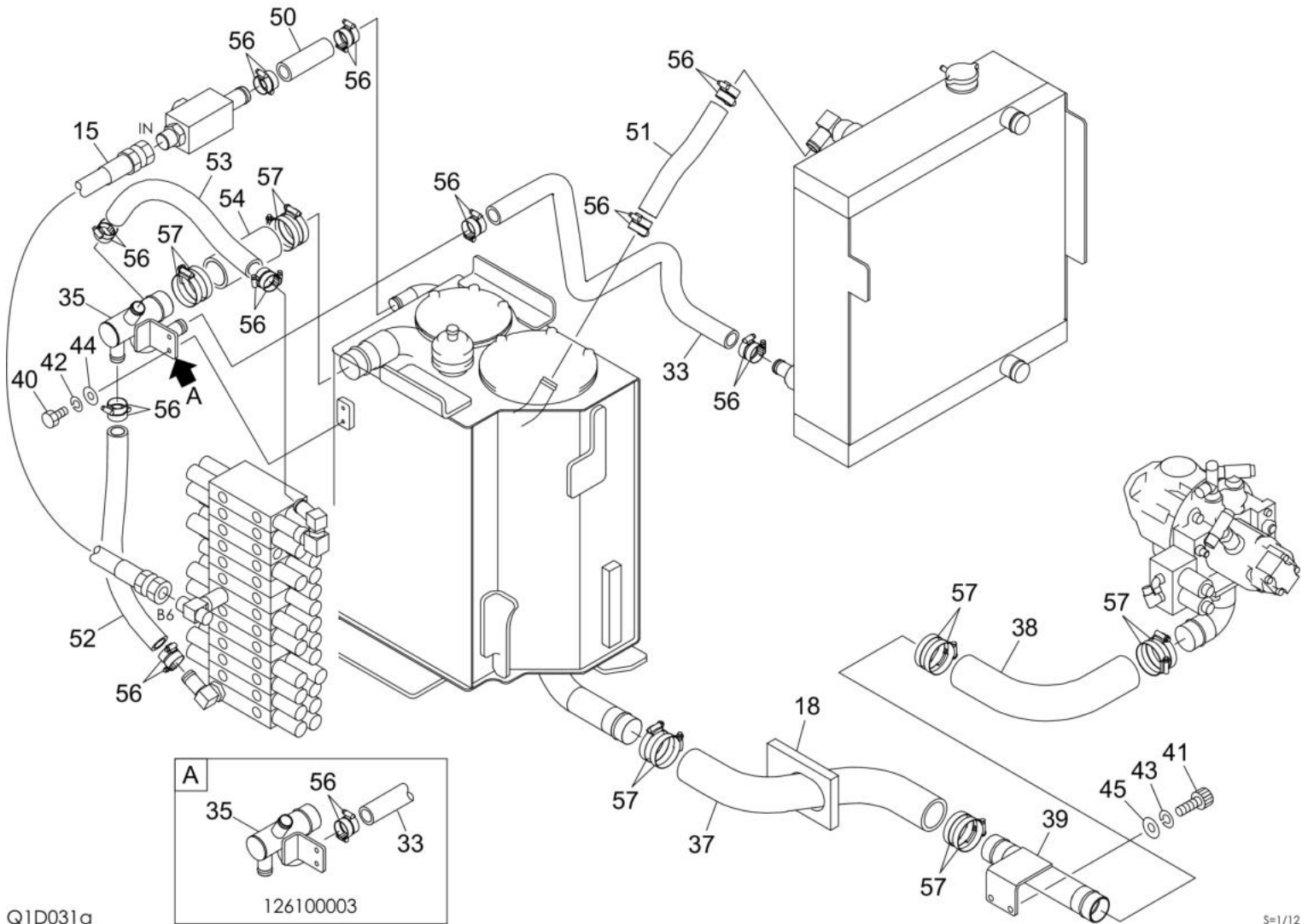


Q1D070d

S=1/10

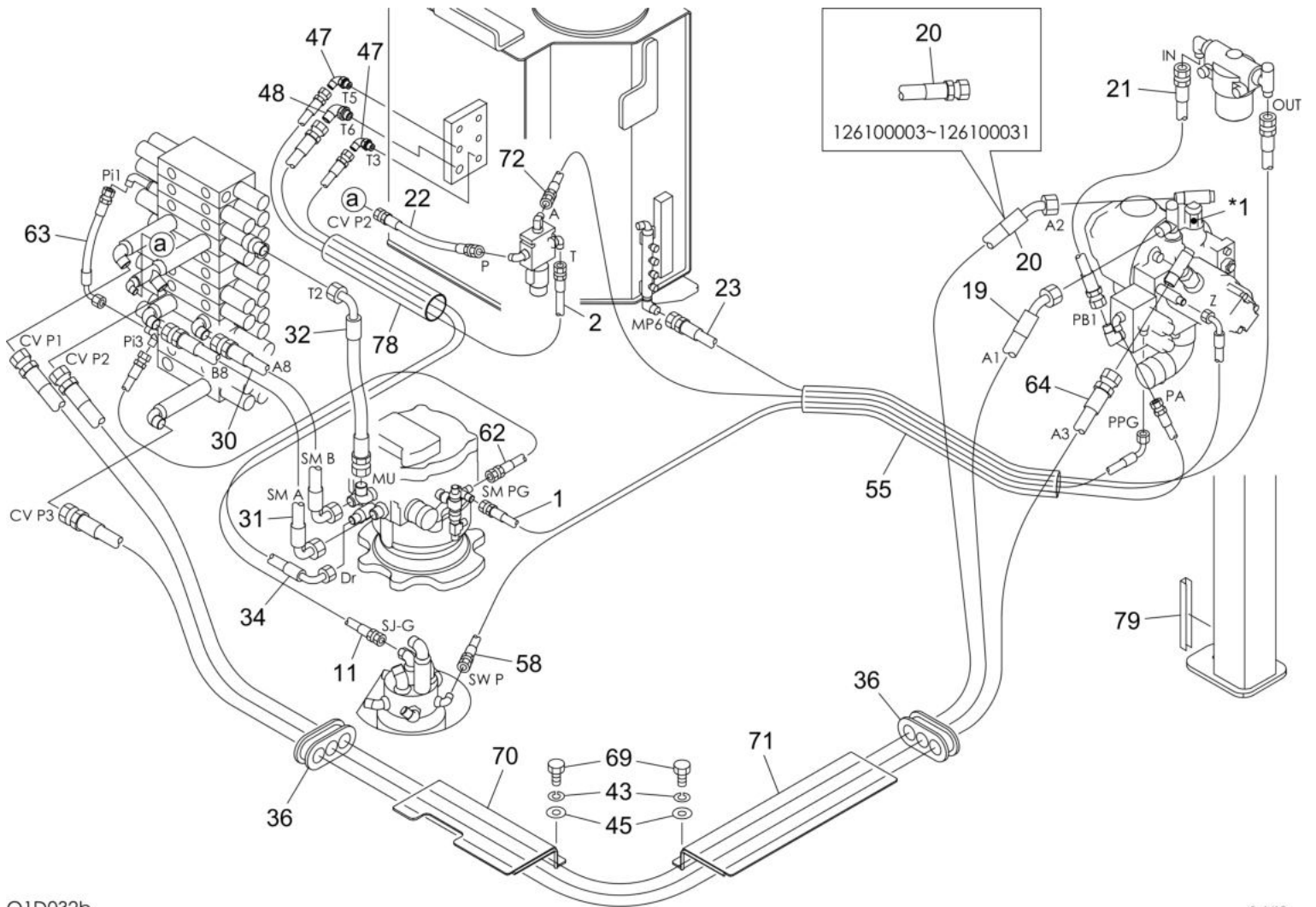
Item	Part No.	Name	Qty	Uom	Remarks	SERIAL NUMBER
68	1515012510	ELBOW	1	EA		
68	1420010110	O-RING	1	EA		
69	0557000065	HOSE ASSY	1	EA	19348-52090	
70	0557000064	HOSE ASSY	1	EA	19348-52040	
71	0557000063	HOSE ASSY	1	EA	19348-22044	

HYDRAULIC PIPING & TANK PIPING; UPPER (angle blade type) 1



Item	Part No.	Name	Qty	Uom	Remarks	SERIAL NUMBER
-	PNNA	PIPING ASSY, upper		EA		
1	0557000007	HOSE ASSY	1	EA	18010-52115	
15	0557000038	HOSE ASSY	1	EA	18015-30052	
18	0557000048	SPONGE	1	EA		
33	0557003430	HOSE	1	EA	A	126100003
33	0557000074	HOSE (NOT HYDRAULIC HOSE)	1	EA	a	126100004~
35	0557003790	PIPE	1	EA	A	126100003
35	0557000073	PIPE	1	EA	a	126100004~
37	0557003840	HOSE	1	EA		
38	0557003850	HOSE	1	EA		
39	0557003860	PIPE	1	EA		
40	1100090816	BOLT	2	EA		
41	1110051030	SCREW, cap (10TM10 X 30 P/1.5)	2	EA		
42	1140020008	WASHER, spring	2	EA		
43	1140020010	WASHER, spring	6	EA		
44	1141110008	WASHER	2	EA		
45	1141110010	WASHER, plain	6	EA		
50	1530525011	HOSE	1	EA	sold by the meter	
51	1530525000	HOSE (SOLD BY THE METER)	1	EA	sold by the meter	
52	1530525042	HOSE	1	EA	sold by the meter	
53	1530525000	HOSE (SOLD BY THE METER)	1	EA	sold by the meter	
54	1530547000	HOSE, suction (SOLD BY THE METER)	1	EA	sold by the meter	
56	1533700041	BAND	20	EA		
57	1533700071	CLAMP	12	EA		
-	PNNA	"A" is interchangeable with SET "a".		EA		
*1	0007213010	BUSHING (CONNECTOR)	1	EA	b	
-	PNNA	"B" is interchangeable with SET "b".		EA		

HYDRAULIC PIPING & TANK PIPING; UPPER (angle blade type) 2

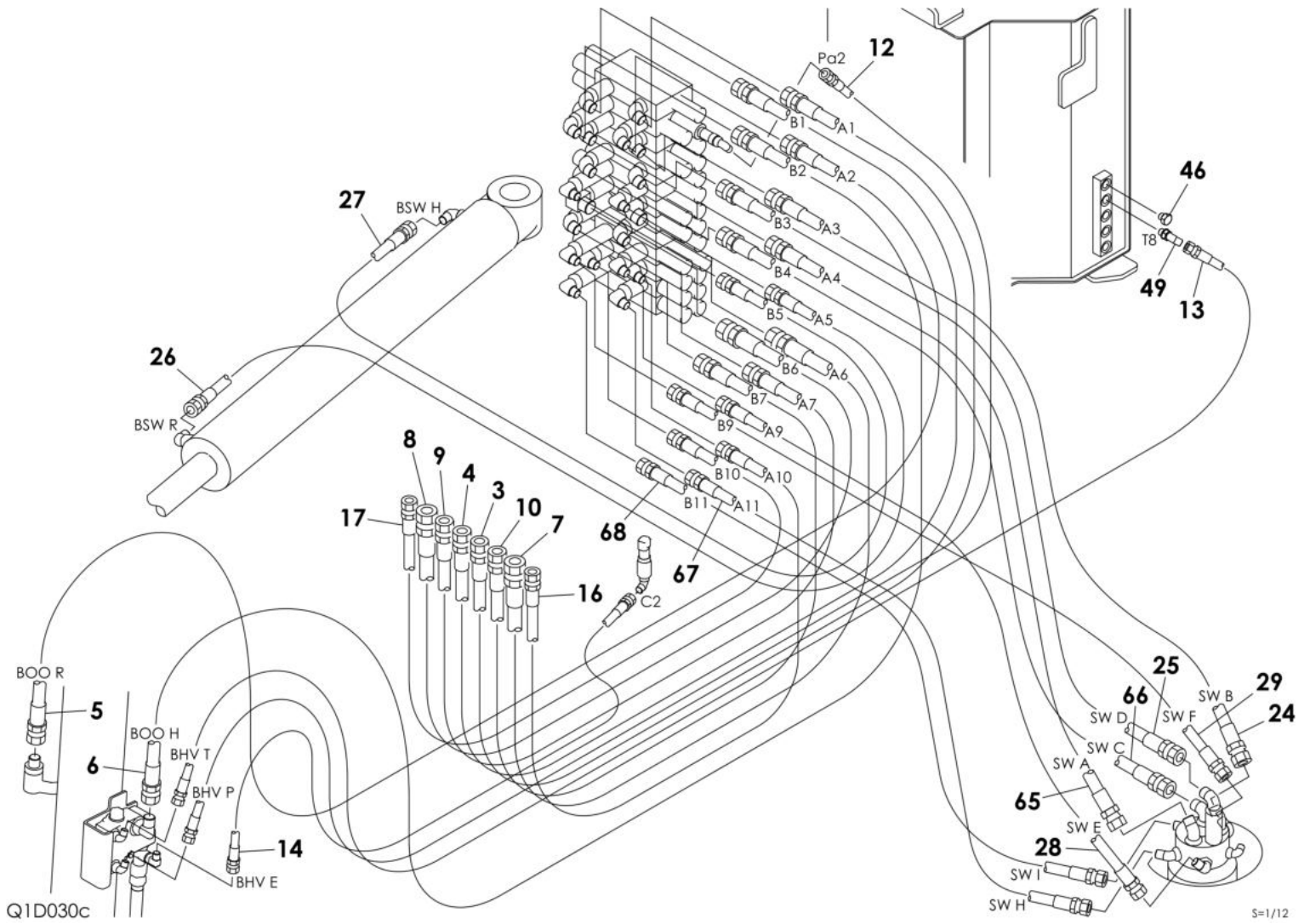


Q1D032b

S=1/12

Item	Part No.	Name	Qty	Uom	Remarks	SERIAL NUMBER
1	0557000007	HOSE ASSY	1	EA	18010-52115	
2	0557000008	HOSE ASSY	1	EA	18010-52135	
11	0557000025	HOSE ASSY	1	EA	18010-22105	
19	0557003010	HOSE ASSY	1	EA		
20	0557003020	HOSE ASSY	1	EA	B	126100003~126100031
20	0557000078	HOSE ASSY	1	EA	b	126100032~
21	0557003050	HOSE ASSY	1	EA	18010-23060	
22	0557003080	HOSE ASSY	1	EA	18045-00030	
23	0557003120	HOSE ASSY	1	EA	18010-23180	
30	0557003310	HOSE ASSY	1	EA	18045-41038	
31	0557003320	HOSE ASSY	1	EA	18045-41050	
32	0557003420	HOSE ASSY	1	EA	18010-54046	
34	0557003710	HOSE ASSY	1	EA	18010-53080	
36	0557003830	GUARD	2	EA		
43	1140020010	WASHER, spring	6	EA		
45	1141110010	WASHER, plain	6	EA		
47	1515012040	ELBOW	2	EA		
47	1420010110	O-RING	1	EA		
48	1515010041	ELBOW	1	EA		
48	1420010140	O-RING	1	EA		
55	1531345055	PROTECTOR	1	EA	sold by the meter	
58	0557000052	HOSE ASSY	1	EA	18010-22124	
62	0557000034	HOSE ASSY	1	EA	18010-22090	
63	0557000037	HOSE ASSY	1	EA	19348-52034	
64	0557003030	HOSE ASSY	1	EA	18015-40235	
69	1100051020	BOLT (10TM10 X 20 P/1.5)	4	EA		
70	0557000056	PLATE	1	EA		
71	0557000057	PLATE	1	EA		
72	0557003090	HOSE ASSY	1	EA	18015-01215	
78	1531350027	PROTECTOR	1	EA	sold by the meter	
79	1654624015	TRIM	1	EA	sold by the meter	
-	PNNA	"A" is interchangeable with SET "a".		EA		
*1	0007213010	BUSHING (CONNECTOR)	1	EA	b	
-	PNNA	"B" is interchangeable with SET "b".		EA		

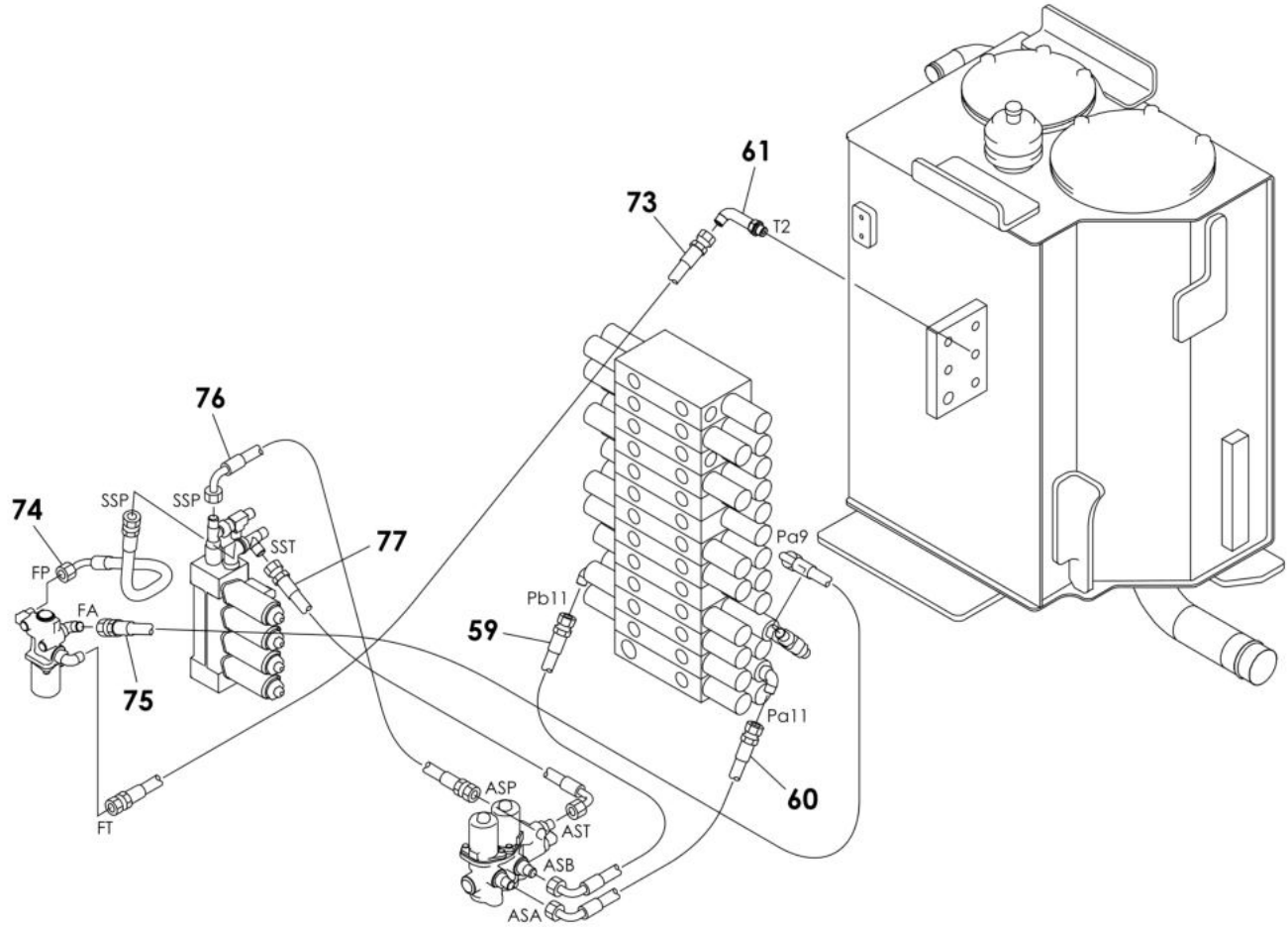
HYDRAULIC PIPING & TANK PIPING; UPPER (angle blade type) 3



S=1/12

Item	Part No.	Name	Qty	Uom	Remarks	SERIAL NUMBER
3	0557000009	HOSE ASSY	1	EA	18045-40264	
4	0557000015	HOSE ASSY	1	EA	18045-40265	
5	0557000016	HOSE ASSY	1	EA	18045-40355	
6	0557000017	HOSE ASSY	1	EA	18045-40360	
7	0557000018	HOSE ASSY	1	EA	18015-30240	
8	0557000019	HOSE ASSY	1	EA	18015-30250	
9	0557000021	HOSE ASSY	1	EA	18045-40235	
10	0557000022	HOSE ASSY	1	EA	18045-40245	
12	0557000032	HOSE ASSY	1	EA	18010-22380	
13	0557000033	HOSE ASSY	1	EA	18010-22385	
14	0557000035	HOSE ASSY	1	EA	18045-00290	
16	0557000046	HOSE ASSY	1	EA		
17	0557000047	HOSE ASSY	1	EA		
24	0557003170	HOSE ASSY	1	EA	18045-40084	
25	0557003180	HOSE ASSY	1	EA	18045-40100	
26	0557003220	HOSE ASSY	1	EA	18047-20118	
27	0557003230	HOSE ASSY	1	EA	18047-20150	
28	0557003280	HOSE ASSY	1	EA	18015-20094	
29	0557003290	HOSE ASSY	1	EA	18015-20084	
46	1501750002	PLUG (FOR O-RING USE # 1420010110)	1	EA		
46	1420010110	O-RING	1	EA		
49	1515102110	ELBOW	1	EA		
49	1420010110	O-RING	1	EA		
65	0557003190	HOSE ASSY	1	EA	18045-40078	
66	0557003210	HOSE ASSY	1	EA	18045-40100	
67	0557003350	HOSE ASSY	1	EA	18015-20074	
68	0557003360	HOSE	1	EA	18015-20072	

HYDRAULIC PIPING & TANK PIPING; UPPER (angle blade type) 4

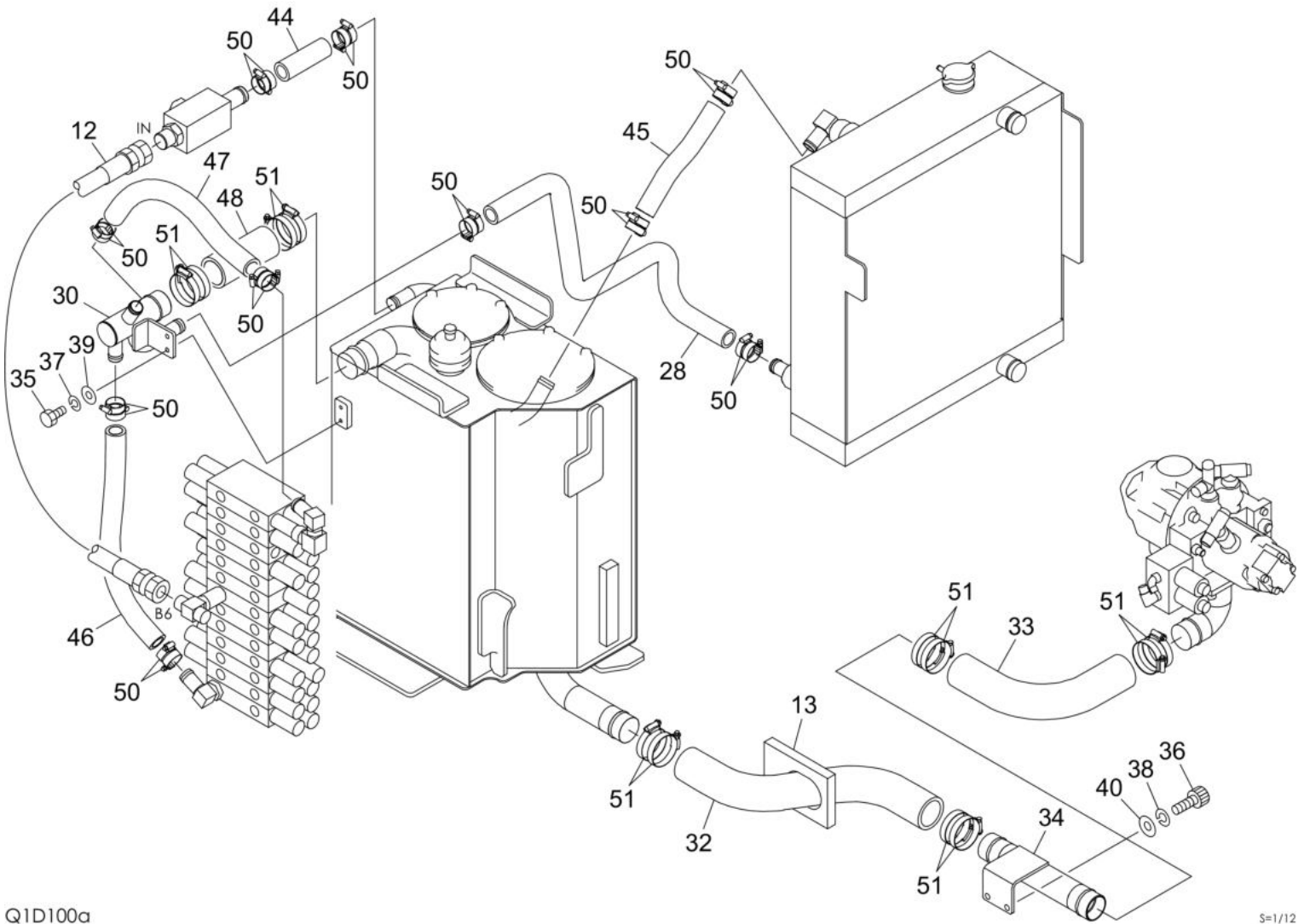


Q1D030d

S=1/10

Item	Part No.	Name	Qty	Uom	Remarks	SERIAL NUMBER
59	0557003510	HOSE ASSY	1	EA	19348-52048	
60	0557003490	HOSE ASSY	1	EA	19348-52034	
61	1515012510	ELBOW	1	EA		
61	1420010110	O-RING	1	EA		
73	0557000063	HOSE ASSY	1	EA	19348-22044	
74	0557000064	HOSE ASSY	1	EA	19348-52040	
75	0557000065	HOSE ASSY	1	EA	19348-52090	
76	0557003470	HOSE ASSY	1	EA	19348-52046	
77	0557003480	HOSE ASSY	1	EA	19348-52030	

HYDRAULIC PIPING & TANK PIPING; UPPER (angle blade type) (without shut-off valve) 1

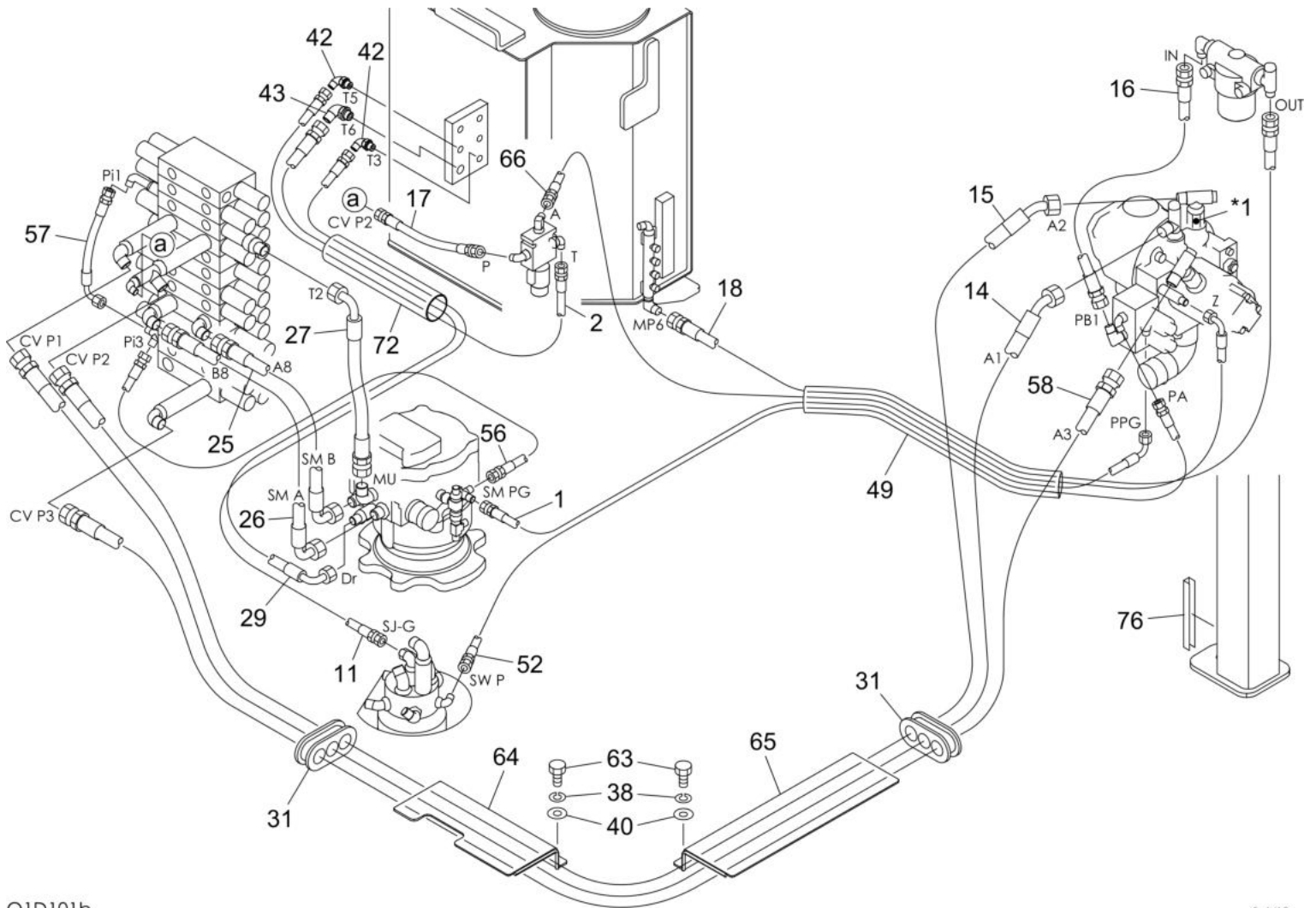


Q1D100a

S=1/12

Item	Part No.	Name	Qty	Uom	Remarks	SERIAL NUMBER
-	PNNA	PIPING ASSY, upper		EA		
12	0557000038	HOSE ASSY	1	EA	18015-30052	
13	0557000048	SPONGE	1	EA		
28	0557000074	HOSE (NOT HYDRAULIC HOSE)	1	EA		
30	0557000073	PIPE	1	EA		
32	0557003840	HOSE	1	EA		
33	0557003850	HOSE	1	EA		
34	0557003860	PIPE	1	EA		
35	1100090816	BOLT	2	EA		
36	1110051030	SCREW, cap (10TM10 X 30 P/1.5)	2	EA		
37	1140020008	WASHER, spring	2	EA		
38	1140020010	WASHER, spring	6	EA		
39	1141110008	WASHER	2	EA		
40	1141110010	WASHER, plain	6	EA		
44	1530525011	HOSE	1	EA	sold by the meter	
45	1530525000	HOSE (SOLD BY THE METER)	1	EA	sold by the meter	
46	1530525042	HOSE	1	EA	sold by the meter	
47	1530525000	HOSE (SOLD BY THE METER)	1	EA	sold by the meter	
48	1530547000	HOSE, suction (SOLD BY THE METER)	1	EA	sold by the meter	
50	1533700041	BAND	20	EA		
51	1533700071	CLAMP	12	EA		

HYDRAULIC PIPING & TANK PIPING; UPPER (angle blade type) (without shut-off valve) 2

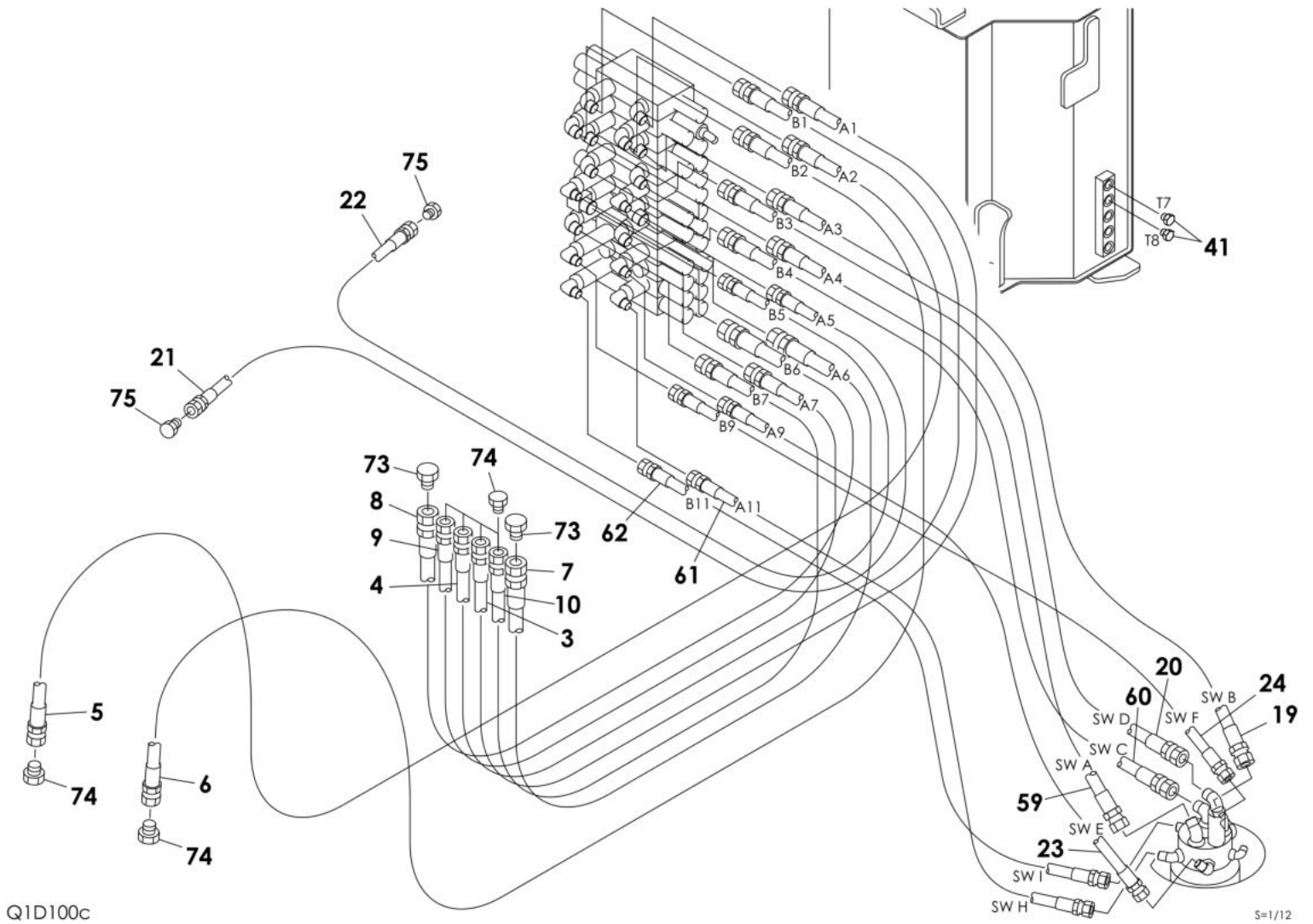


Q1D101b

S=1/12

Item	Part No.	Name	Qty	Uom	Remarks	SERIAL NUMBER
1	0557000007	HOSE ASSY	1	EA	18010-52115	
2	0557000008	HOSE ASSY	1	EA	18010-52135	
11	0557000025	HOSE ASSY	1	EA	18010-22105	
14	0557003010	HOSE ASSY	1	EA		
15	0557000078	HOSE ASSY	1	EA		
16	0557003050	HOSE ASSY	1	EA	18010-23060	
17	0557003080	HOSE ASSY	1	EA	18045-00030	
18	0557003120	HOSE ASSY	1	EA	18010-23180	
25	0557003310	HOSE ASSY	1	EA	18045-41038	
26	0557003320	HOSE ASSY	1	EA	18045-41050	
27	0557003420	HOSE ASSY	1	EA	18010-54046	
29	0557003710	HOSE ASSY	1	EA	18010-53080	
31	0557003830	GUARD	2	EA		
38	1140020010	WASHER, spring	6	EA		
40	1141110010	WASHER, plain	6	EA		
42	1515012040	ELBOW	2	EA		
42	1420010110	O-RING	1	EA		
43	1515010041	ELBOW	1	EA		
43	1420010140	O-RING	1	EA		
49	1531345055	PROTECTOR	1	EA	sold by the meter	
52	0557000052	HOSE ASSY	1	EA	18010-22124	
56	0557000034	HOSE ASSY	1	EA	18010-22090	
57	0557000037	HOSE ASSY	1	EA	19348-52034	
58	0557003030	HOSE ASSY	1	EA	18015-40235	
63	1100051020	BOLT (10TM10 X 20 P/1.5)	4	EA		
64	0557000056	PLATE	1	EA		
65	0557000057	PLATE	1	EA		
66	0557003090	HOSE ASSY	1	EA	18015-01215	
72	1531350027	PROTECTOR	1	EA	sold by the meter	
76	1654624015	TRIM	1	EA	sold by the meter	126100162~

HYDRAULIC PIPING & TANK PIPING; UPPER (angle blade type) (without shut-off valve) 3

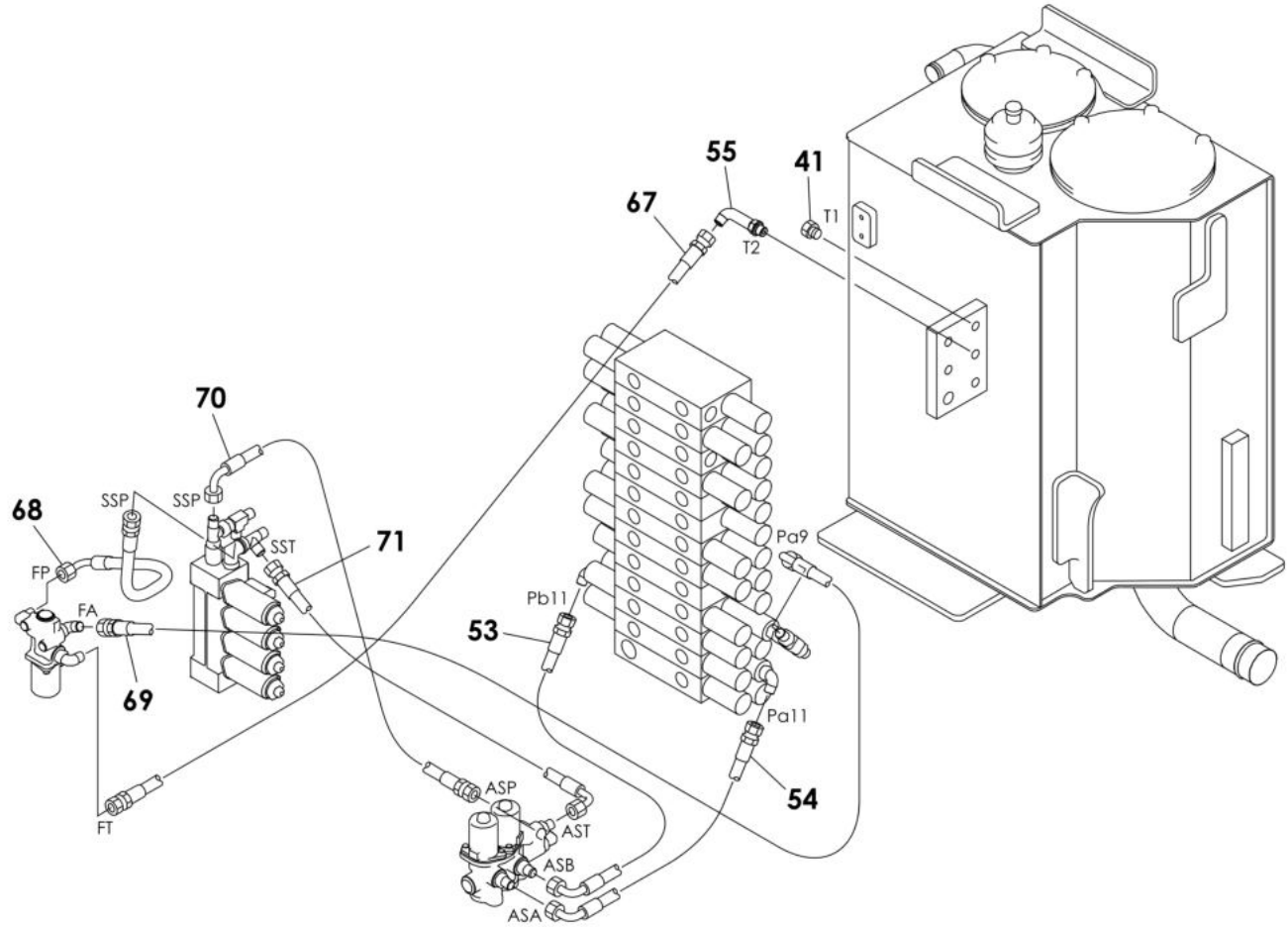


Q1D100c

S=1/12

Item	Part No.	Name	Qty	Uom	Remarks	SERIAL NUMBER
3	055700009	HOSE ASSY	1	EA	18045-40264	
4	055700015	HOSE ASSY	1	EA	18045-40265	
5	055700016	HOSE ASSY	1	EA	18045-40355	
6	055700017	HOSE ASSY	1	EA	18045-40360	
7	055700018	HOSE ASSY	1	EA	18015-30240	
8	055700019	HOSE ASSY	1	EA	18015-30250	
9	055700021	HOSE ASSY	1	EA	18045-40235	
10	055700022	HOSE ASSY	1	EA	18045-40245	
19	0557003170	HOSE ASSY	1	EA	18045-40084	
20	0557003180	HOSE ASSY	1	EA	18045-40100	
21	0557003220	HOSE ASSY	1	EA	18047-20118	
22	0557003230	HOSE ASSY	1	EA	18047-20150	
23	0557003280	HOSE ASSY	1	EA	18015-20080	
24	0557003290	HOSE ASSY	1	EA	18015-20084	
41	1501750002	PLUG (FOR O-RING USE # 1420010110)	3	EA		
41	1420010110	O-RING	1	EA		
59	0557003190	HOSE ASSY	1	EA	18045-40078	
60	0557003210	HOSE ASSY	1	EA	18045-40100	
61	0557003350	HOSE ASSY	1	EA	18015-20074	
62	0557003360	HOSE	1	EA	18015-20072	
73	1513940006	PLUG	2	EA		
74	1513940004	PLUG	6	EA		
75	1513940003	PLUG	2	EA		

HYDRAULIC PIPING & TANK PIPING; UPPER (angle blade type) (without shut-off valve) 4

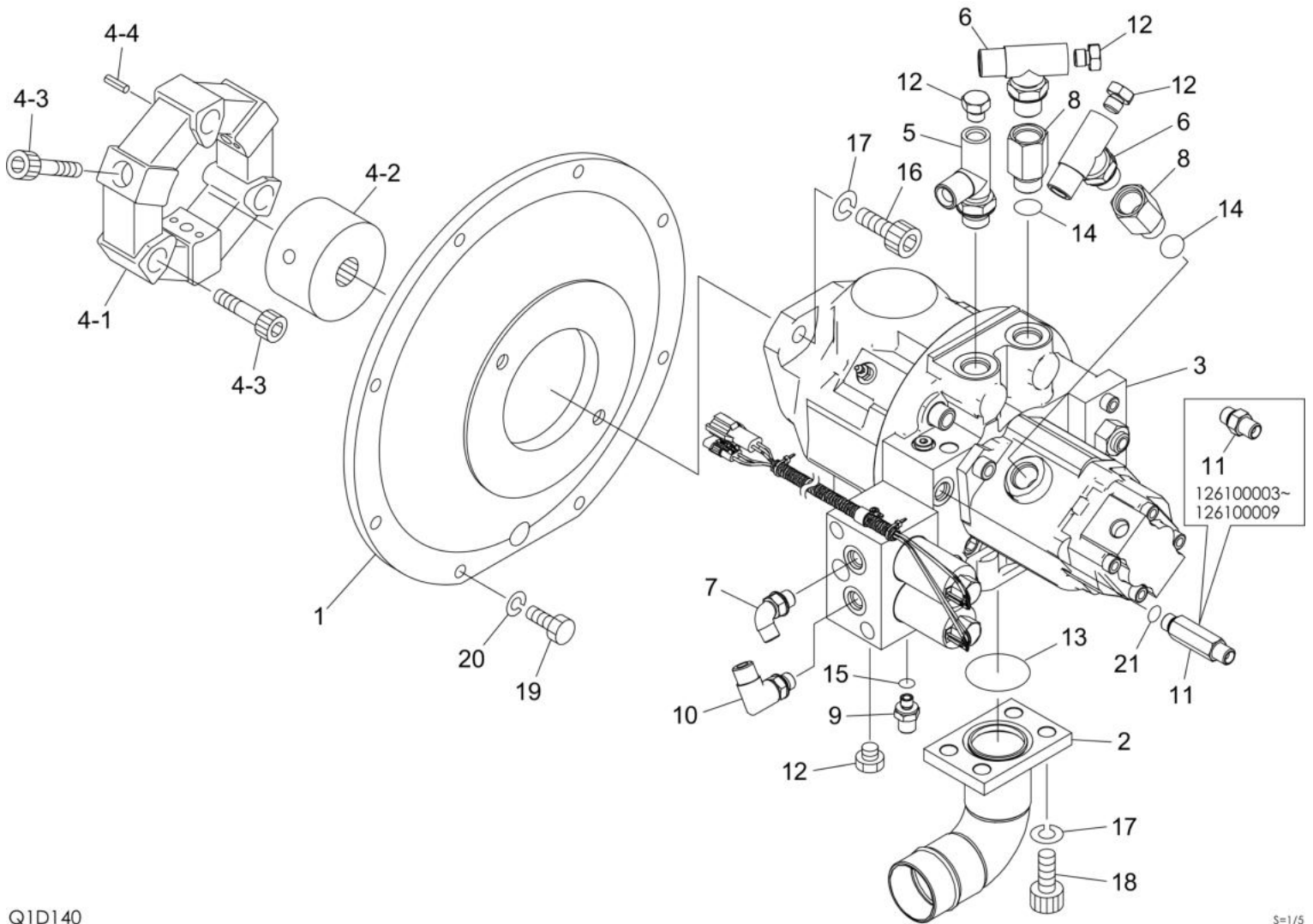


Q1D100d

S=1/10

Item	Part No.	Name	Qty	Uom	Remarks	SERIAL NUMBER
1	055700007	HOSE ASSY	1	EA	18010-52115	
10	055700022	HOSE ASSY	1	EA	18045-40245	
41	1501750002	PLUG (FOR O-RING USE # 1420010110)	3	EA		
41	1420010110	O-RING	1	EA		
53	0557003510	HOSE ASSY	1	EA	19348-52048	
54	0557003490	HOSE ASSY	1	EA	19348-52034	
55	1515012510	ELBOW	1	EA		
55	1420010110	O-RING	1	EA		
67	0557000063	HOSE ASSY	1	EA	19348-22044	
68	0557000064	HOSE ASSY	1	EA	19348-52040	
69	0557000065	HOSE ASSY	1	EA	19348-52090	
70	0557003470	HOSE ASSY	1	EA	19348-52046	
71	0557003480	HOSE ASSY	1	EA	19348-52030	

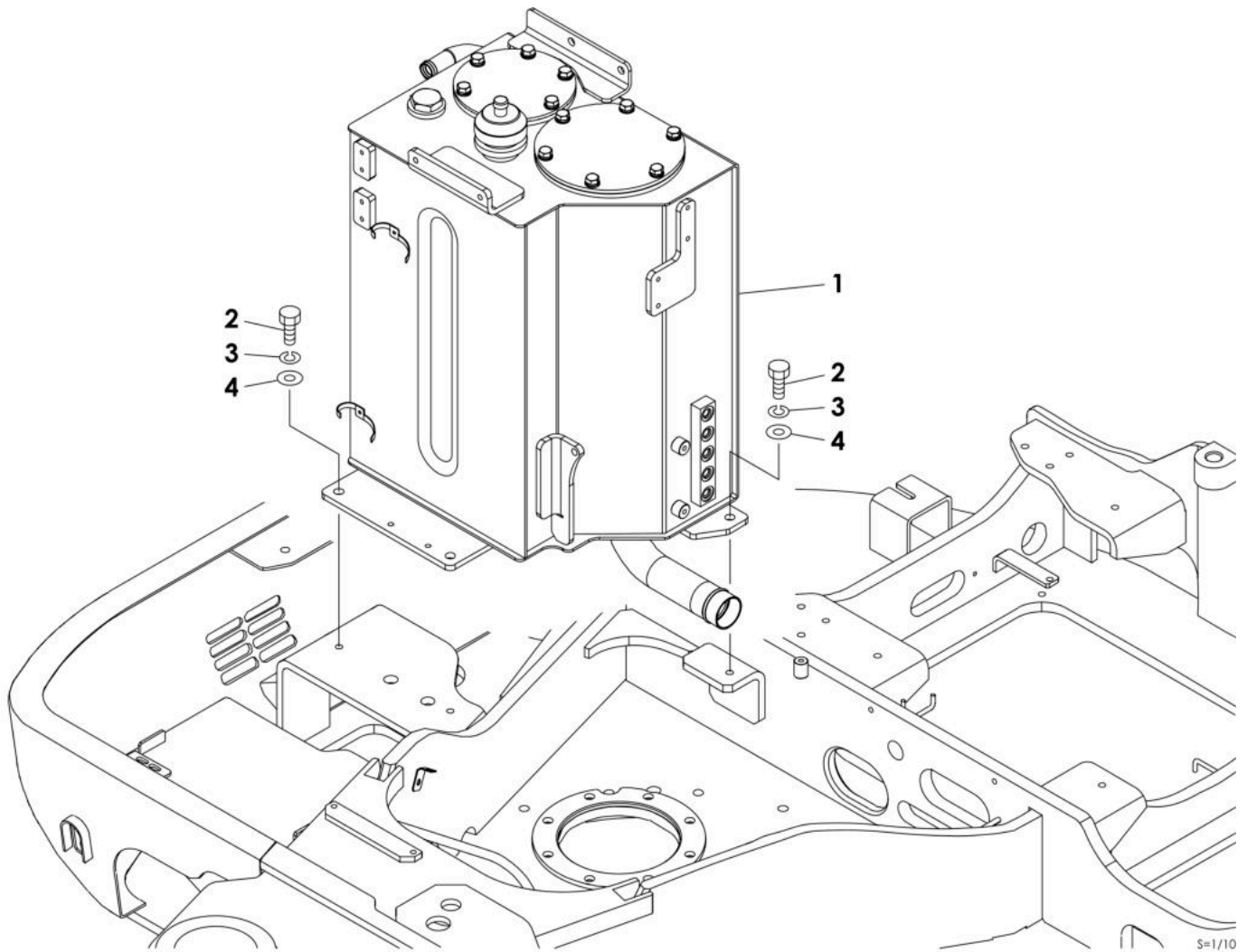
HYDRAULIC PIPING & TANK PUMP DRIVE



Q1D140

S=1/5

Item	Part No.	Name	Qty	Uom	Remarks	SERIAL NUMBER
-	PNNA	PUMP ASSY, drive		EA		
1	0395206100	HOUSING	1	EA		126100003~126100009
1	0555200002	HOUSING	1	EA		126100010~
2	0555201020	PIPE	1	EA		
3	1902032200	PUMP, hydraulic	1	EA		126101984~
4	0395209710	COUPLING ASSY	1	EA		
4-1	1602000250	COUPLING	1	EA		
4-2	0395209712	BOSS	1	EA		
4-3	1602031440	BOLT	6	EA		
4-4	1213000510	PIN, spring	9	EA		
5	1512340004	ADAPTOR, elbow	1	EA		
5	1420010180	O-RING	1	EA		
6	1513390014	TEE	2	EA		
6	1420010180	O-RING	1	EA		
7	1515012040	ELBOW	1	EA		
7	1420010110	O-RING	1	EA		
8	0007213010	BUSHING (CONNECTOR)	1	EA		126100003~126100031
8	0007213010	BUSHING (CONNECTOR)	2	EA		126100032~
8	1420010180	O-RING	1	EA		
9	0007203059	NIPPLE	1	EA	A	
10	1515010130	ELBOW	1	EA		
10	1420010110	O-RING	1	EA		
11	1515600200	ADAPTOR	1	EA		126100003~126100009
11	1420010110	O-RING	1	EA		126100003~126100009
11	0007203025	ADAPTOR	1	EA		126100010~
12	1501750002	PLUG (FOR O-RING USE # 1420010110)	4	EA		
12	1420010110	O-RING	1	EA		
13	1420100450	O-RING	1	EA		
14	1420010180	O-RING	1	EA		126100003~126100031
14	1420010180	O-RING	2	EA		126100032~
15	1420010080	O-RING	1	EA		
16	1111051235	BOLT, socket (10TM12 X35 P/1.50)	2	EA		
17	1140420012	WASHER, spring	6	EA		
18	1110041230	SCREW, cap	4	EA		
19	1100051030	BOLT	8	EA		
20	1140020010	WASHER, spring	8	EA		
21	1420010110	O-RING	1	EA		126100010~

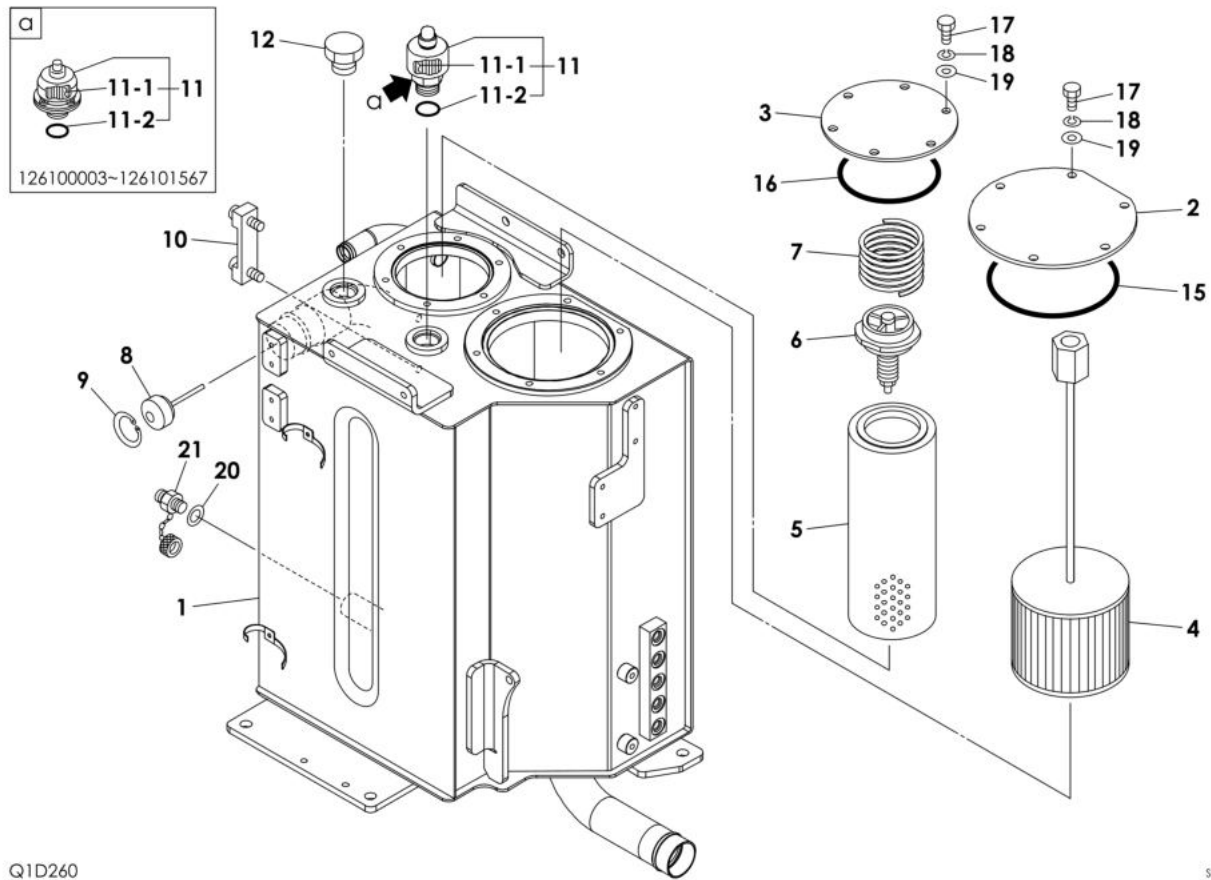


Q0D140

S=1/10

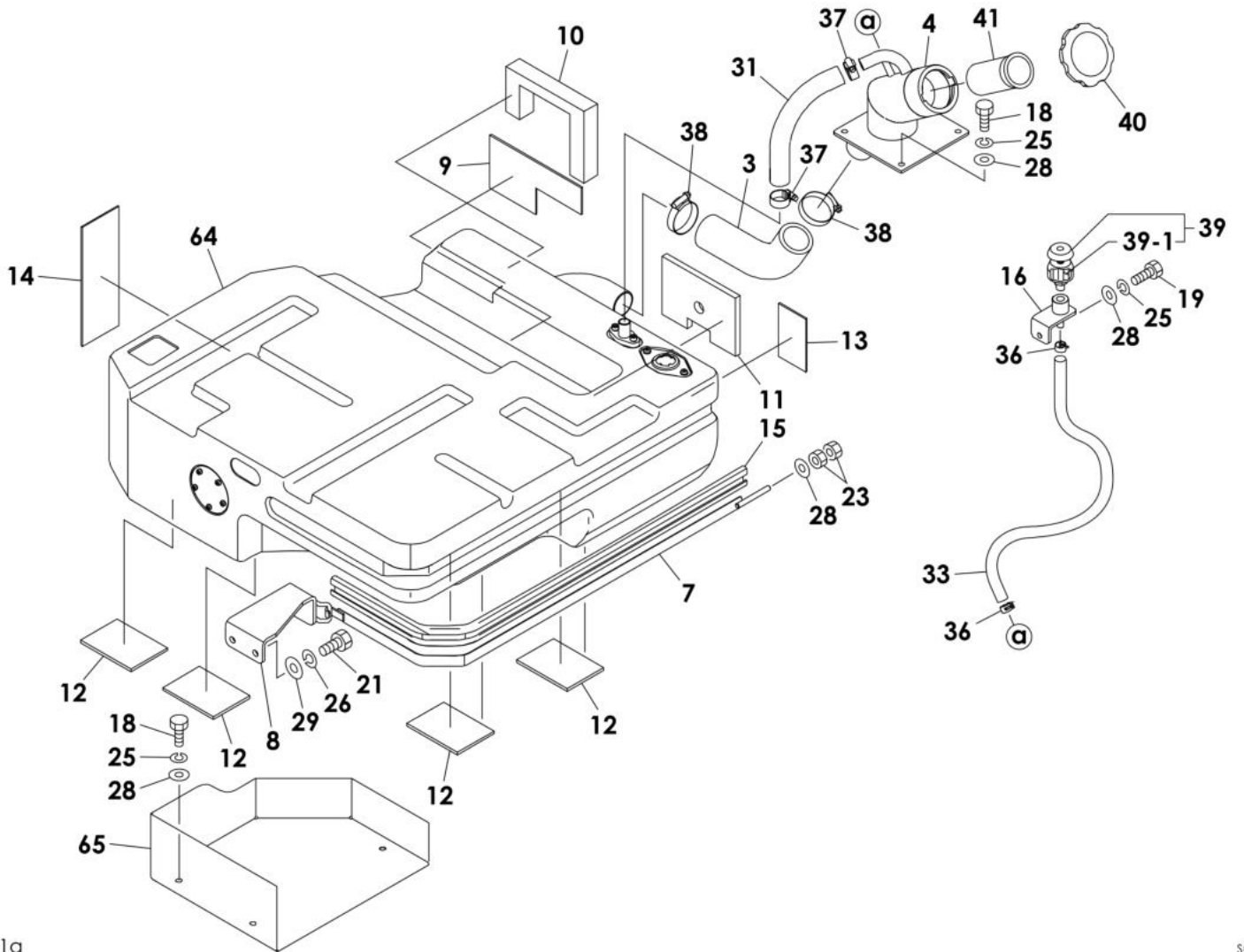
Item	Part No.	Name	Qty	Uom	Remarks	SERIAL NUMBER
Not Shown	PNNA	TANK ASSY, hydraulic		EA		
1	*****	VALVE SUB ASSY, control	1	EA	see page (2/2)	
2	1101051230	BOLT (10TM12 X 30 P/1.5)	4	EA		
3	1140020012	WASHER, spring (12MM)	4	EA		
4	1141110012	WASHER	4	EA		

HYDRAULIC PIPING & TANK HYDRAULIC TANK (2/2)



Item	Part No.	Name	Qty	Uom	Remarks	SERIAL NUMBER
0-1	*****	TANK SUB ASSY, hydraulic	1	EA		
1	0558000003	TANK, hydraulic	1	EA		
2	0568042040	COVER	1	EA		
3	0568014500	COVER	1	EA		
4	1550100140	FILTER (HYDRAULIC TANK)	1	EA		
5	1551103900	FILTER (HYDRAULIC)	1	EA		
6	1551100300	VALVE	1	EA		
7	0007000031	SPRING	1	EA		
8	1540141040	VALVE, check	1	EA		
9	1221010042	RING, snap	1	EA		
10	1553020685	GAUGE	1	EA		
11	1552002700	BREATHER, air	1	EA		126100003~126101567
11	1552005000	BREATHER, air (FILTER)	1	EA		126101568~
11-1	1552002715	FILTER/ELEMENT (AIR BREATHER)	1	EA		126100003~126101567
11-1	1552005002	ELEMENT	1	EA		126101568~
11-2	1420010300	O-RING (30/36 T/3.5(-+0.1))	1	EA		126100003~126101567
11-2	1420000290	O-RING	1	EA		126101568~
12	1501750010	PLUG	1	EA		
12	1420010290	O-RING	1	EA		
15	1420101600	O-RING	1	EA		
16	1420111250	O-RING (G-125)	1	EA		
17	1100041020	BOLT	12	EA		
18	1140020010	WASHER, spring	12	EA		
19	1141110010	WASHER, plain	12	EA		
20	1432122302	WASHER	1	EA		
21	1554502250	PLUG	1	EA		

HYDRAULIC PIPING & TANK FUEL TANK & FUEL PIPING (1/2) (126100003-126100031) 1

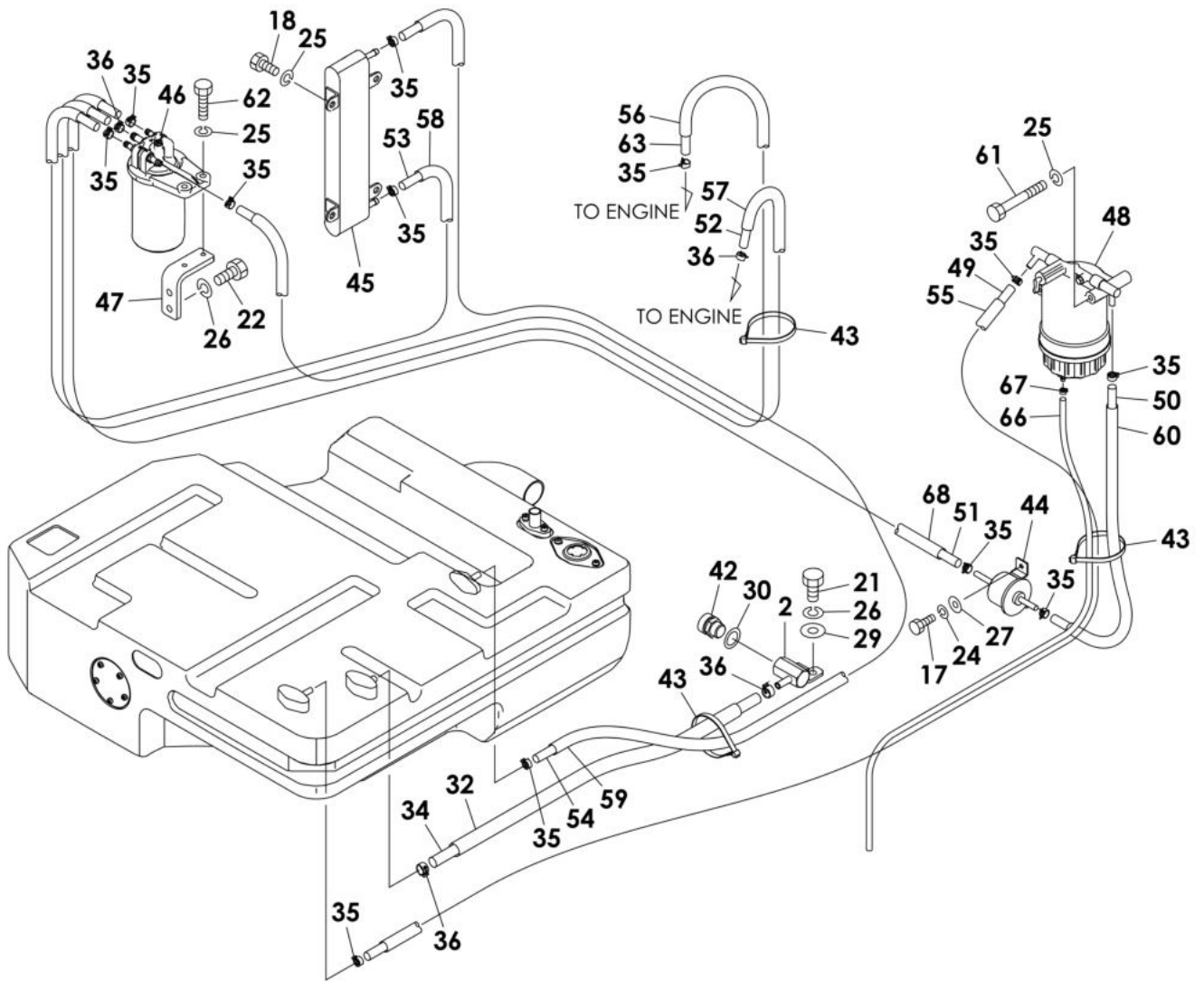


Q1D041a

S=1/10

Item	Part No.	Name	Qty	Uom	Remarks	SERIAL NUMBER
Not Shown	PNNA	TANK ASSY, fuel		EA		
3	0558100040	HOSE	1	EA		
4	0558100041	PORT, supply	1	EA		
7	0558100048	BAND	1	EA		
8	0558100052	BRACKET	1	EA		
9	0558100059	RUBBER	1	EA		
10	0558100060	SPONGE	1	EA		
11	0558100061	SPONGE	1	EA		
12	0558100062	RUBBER	4	EA		
13	0558101009	RUBBER	1	EA		
14	0558101010	RUBBER	1	EA		
15	0558101011	RUBBER	1	EA		
16	0558101060	BRACKET	1	EA		
18	1100090816	BOLT	11	EA		
19	1100050820	BOLT (10TM8 X 20 P/1.25)	1	EA		
21	1100051020	BOLT (10TM10 X 20 P/1.5)	3	EA		
23	1130140008	NUT (polycarbonate type)	2	EA		
25	1140020008	WASHER, spring	16	EA		
26	1140020010	WASHER, spring	5	EA		
28	1141110008	WASHER	9	EA		
29	1141110010	WASHER, plain	3	EA		
31	0558100092	HOSE	1	EA	sold by the meter	
33	1531209060	HOSE	1	EA	sold by the meter	
36	1533120015	BAND	6	EA		
37	1533700022	BAND	2	EA		
38	1533700060	BAND	2	EA		
39	1552002800	BREATHER, air	1	EA		
39-1	1552002802	ELEMENT	1	EA		
40	1552101400	CAP ASSY	1	EA		
41	1552101410	STRAINER	1	EA		
64	*****	TANK SUB ASSY, fuel	1	EA	see page (2/2)	
65	0558100070	PLATE	1	EA		

HYDRAULIC PIPING & TANK FUEL TANK & FUEL PIPING (1/2) (126100003-126100031) 2



Q1D041b

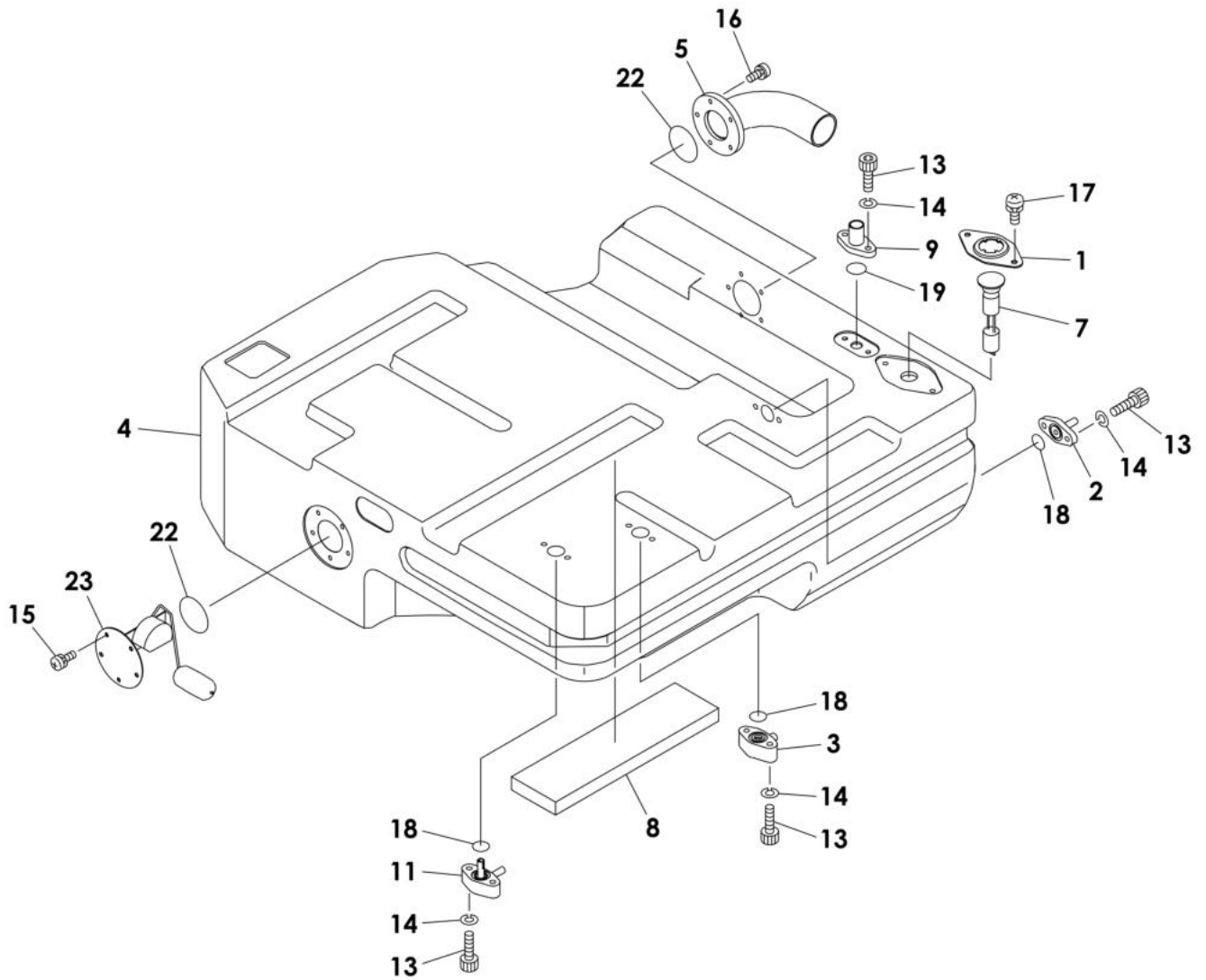
S=1/10

Item	Part No.	Name	Qty	Uom	Remarks	SERIAL NUMBER
2	0558100020	BUSHING	1	EA		
17	1100050612	BOLT (10TM6 X 12 P/1.0)	2	EA		
18	1100090816	BOLT	11	EA		
21	1100051020	BOLT (10TM10 X 20 P/1.5)	3	EA		
22	1100051025	BOLT (10TM10 X 25 P/1.5)	2	EA		
24	1140020006	WASHER, spring	2	EA		
25	1140020008	WASHER, spring	16	EA		
26	1140020010	WASHER, spring	5	EA		
27	1141110006	WASHER	2	EA		
29	1141110010	WASHER, plain	3	EA		
30	1432122302	WASHER	1	EA		
32	1531118056	PROTECTOR	1	EA	sold by the meter	
34	1531209000	HOSE	1	EA	sold by the meter	
35	Y121250-44590	CLAMP	12	EA		
36	1533120015	BAND	6	EA		
42	1554502250	PLUG	1	EA		
43	1652231250	BAND (1st aux. Proportion)	3	EA		
44	Y129612-52100	PUMP, feed	1	EA	Y129612-52100	
45	1911300920	COOLER, fuel	1	EA		
46	Y129A00-55600	FILTER, fuel	1	EA	Y129A00-55600	
47	0558100071	BRACKET	1	EA		
48	Y129E00-55700	FILTER, fuel	1	EA	Y129E00-55700	
49	1534413145	HOSE	1	EA	sold by the meter	
50	1534413060	HOSE	1	EA	sold by the meter	
51	1534413210	HOSE	1	EA	sold by the meter	
52	1534416195	HOSE	1	EA	sold by the meter	
53	1534513120	HOSE	1	EA	sold by the meter	
54	1534413250	HOSE	1	EA	sold by the meter	
55	1531115000	HOSE, vinyl (SOLD BY THE METER)	1	EA	sold by the meter	
56	1531115000	HOSE, vinyl (SOLD BY THE METER)	1	EA	sold by the meter	
57	1531118190	PROTECTOR (SOLD BY THE METER)	1	EA	sold by the meter	
58	1531115115	PROTECTOR	1	EA	sold by the meter	
59	1531115245	PROTECTOR	1	EA	sold by the meter	
60	1531115000	HOSE, vinyl (SOLD BY THE METER)	1	EA	sold by the meter	
61	1100040890	BOLT	2	EA		
62	1100050830	BOLT (10TM8 X 30 P/1.25)	2	EA		
63	1534513225	HOSE	1	EA	sold by the meter	

This page intentionally left blank

Item	Part No.	Name	Qty	Uom	Remarks	SERIAL NUMBER
66	1531007068	HOSE	1	EA	sold by the meter	
67	1533120508	BAND	1	EA		
68	1531115205	PROTECTOR	1	EA	sold by the meter	

HYDRAULIC PIPING & TANK FUEL TANK & FUEL PIPING (2/2) (126100003-126100031)

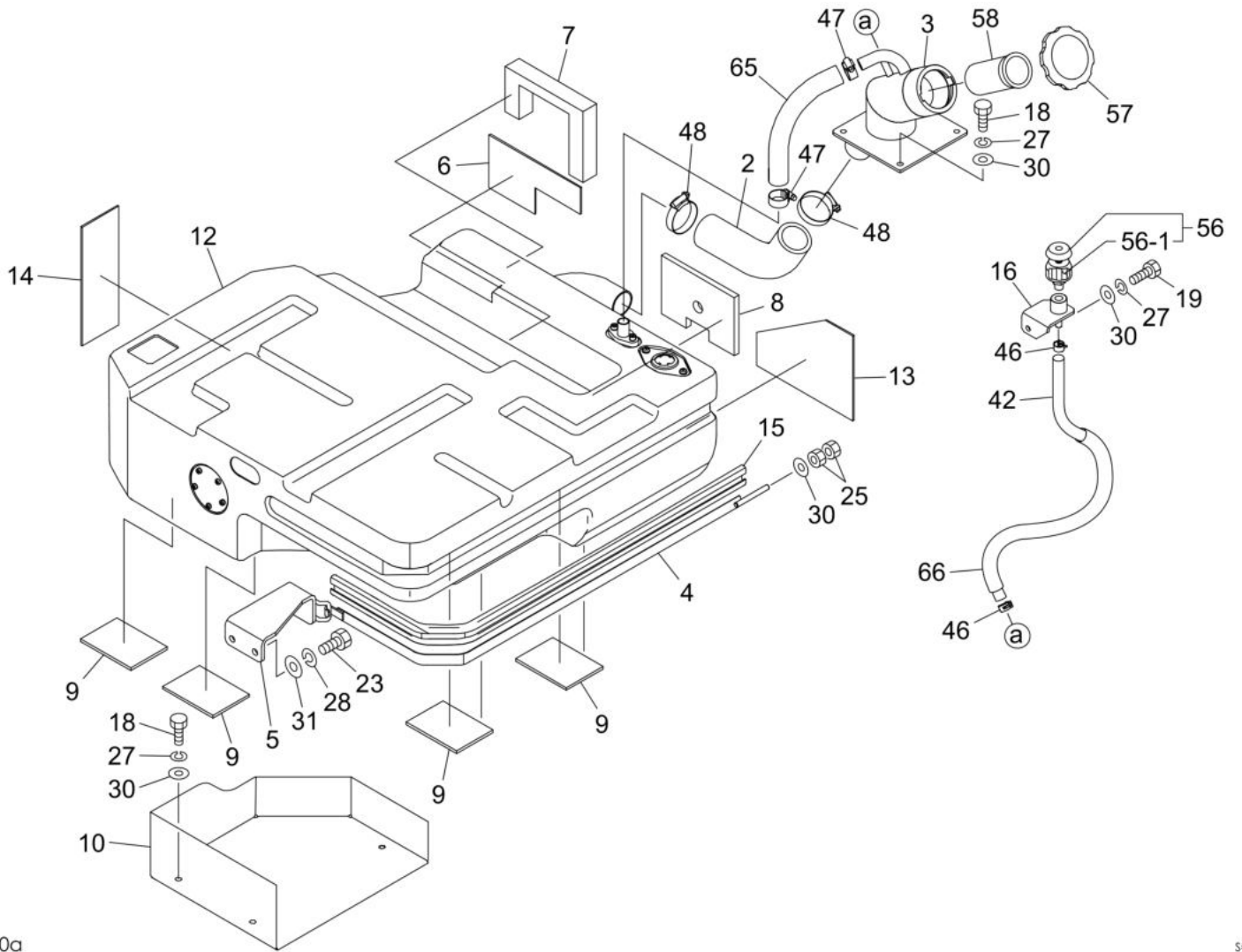


Q1D130

S=1/8

Item	Part No.	Name	Qty	Uom	Remarks	SERIAL NUMBER
0-1	*****	TANK SUB ASSY, FUEL	1	EA		
1	0338100002	BRACKET	1	EA		
2	0348103450	FLANGE	1	EA		
3	0348103490	FLANGE	1	EA		
4	0558100073	TANK, fuel	1	EA		
5	0558100024	FLANGE	1	EA		
7	0558100039	SENDER, fuel	1	EA		
8	0558101006	RUBBER	1	EA		
9	0558101120	FLANGE	1	EA		
11	0881811100	FLANGE	1	EA		
13	1110050616	SCREW, cap	8	EA		
14	1140020006	WASHER, spring	8	EA		
15	1150110510	SCREW	5	EA		
16	1150110516	SCREW	5	EA		
17	1150110612	SCREW	2	EA		
18	1420010180	O-RING	3	EA		
19	1420010200	O-RING	1	EA		
22	1420010450	O-RING (P-45)	2	EA		
23	1553202100	SENDER, fuel	1	EA		

HYDRAULIC PIPING & TANK FUEL TANK & FUEL PIPING (1/2) (126100032-) 1

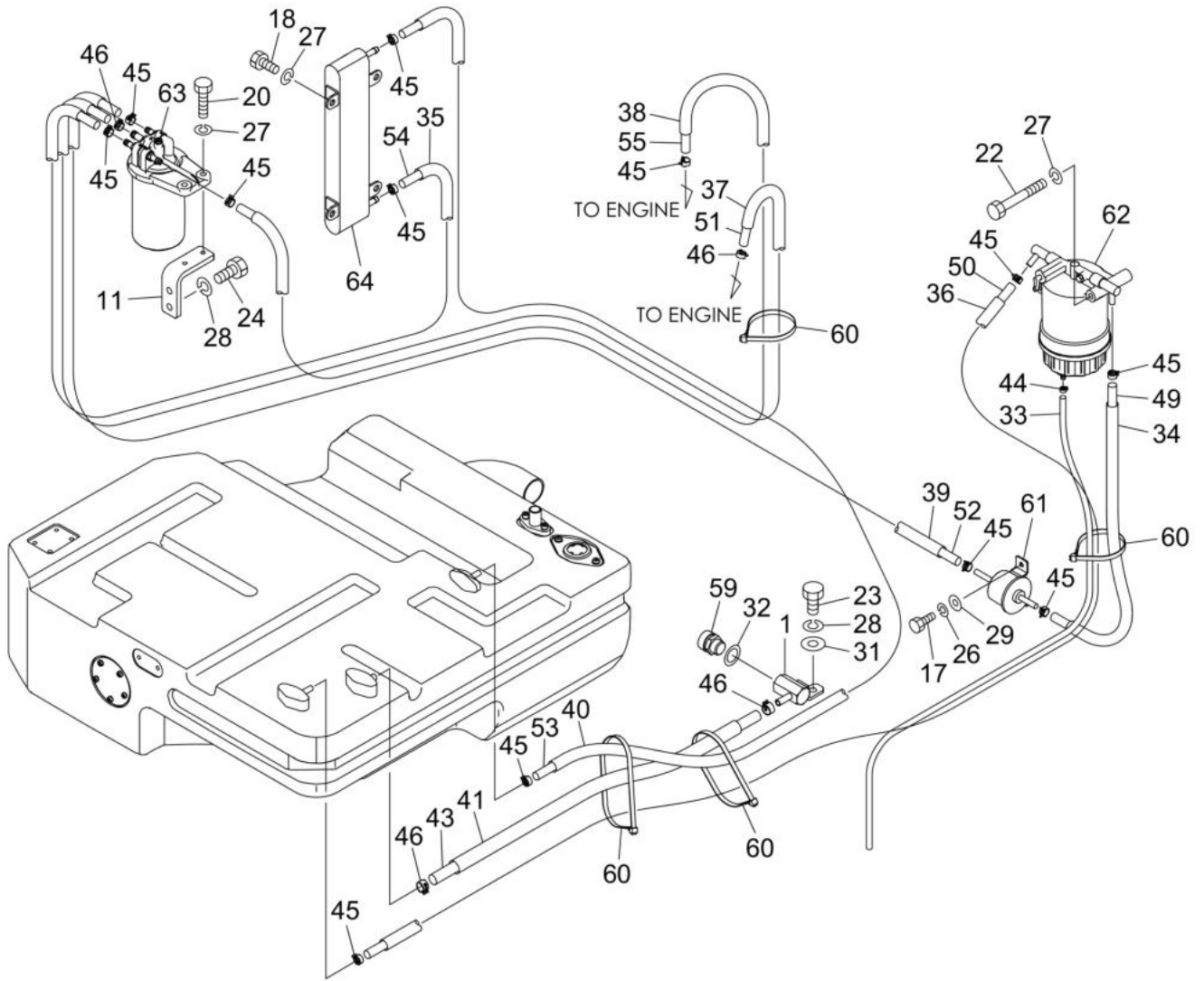


Q1D110a

S=1/10

Item	Part No.	Name	Qty	Uom	Remarks	SERIAL NUMBER
-	PNNA	TANK ASSY, fuel		EA		
2	0558100040	HOSE	1	EA		
3	0558100099	PORT, supply	1	EA		
4	0558100048	BAND	1	EA		
5	0558100052	BRACKET	1	EA		
6	0558100059	RUBBER	1	EA		
7	0558100060	SPONGE	1	EA		
8	0558100061	SPONGE	1	EA		
9	0558100062	RUBBER	4	EA		
10	0558100070	PLATE	1	EA		
12	*****	TANK SUB ASSY, fuel	1	EA	see page (2/2)	
13	0558101009	RUBBER	1	EA		
14	0558101010	RUBBER	1	EA		
15	0558101011	RUBBER	1	EA		
16	0558101060	BRACKET	1	EA		126100032~126100075
16	0558100093	BRACKET	1	EA		126100076~
18	1100090816	BOLT	11	EA		
19	1100050820	BOLT (10TM8 X 20 P/1.25)	1	EA		
23	1100051020	BOLT (10TM10 X 20 P/1.5)	3	EA		
25	1130140008	NUT (polycarbonate type)	2	EA		
27	1140020008	WASHER, spring	16	EA		
28	1140020010	WASHER, spring	5	EA		
30	1141110008	WASHER	9	EA		
31	1141110010	WASHER, plain	3	EA		
42	1531209060	HOSE	1	EA	sold by the meter	
46	1533120015	BAND	6	EA		
47	1533700035	BAND	2	EA		
48	1533700060	BAND	2	EA		
56	1552002800	BREATHER, air	1	EA		
56-1	1552002802	ELEMENT	1	EA		
57	1552101400	CAP ASSY	1	EA		
58	1552101410	STRAINER	1	EA		
65	1530619023	HOSE	1	EA	sold by the meter	
66	1531118035	PROTECTOR	1	EA	sold by the meter	

HYDRAULIC PIPING & TANK FUEL TANK & FUEL PIPING (1/2) (126100032-) 2



Q1D111b

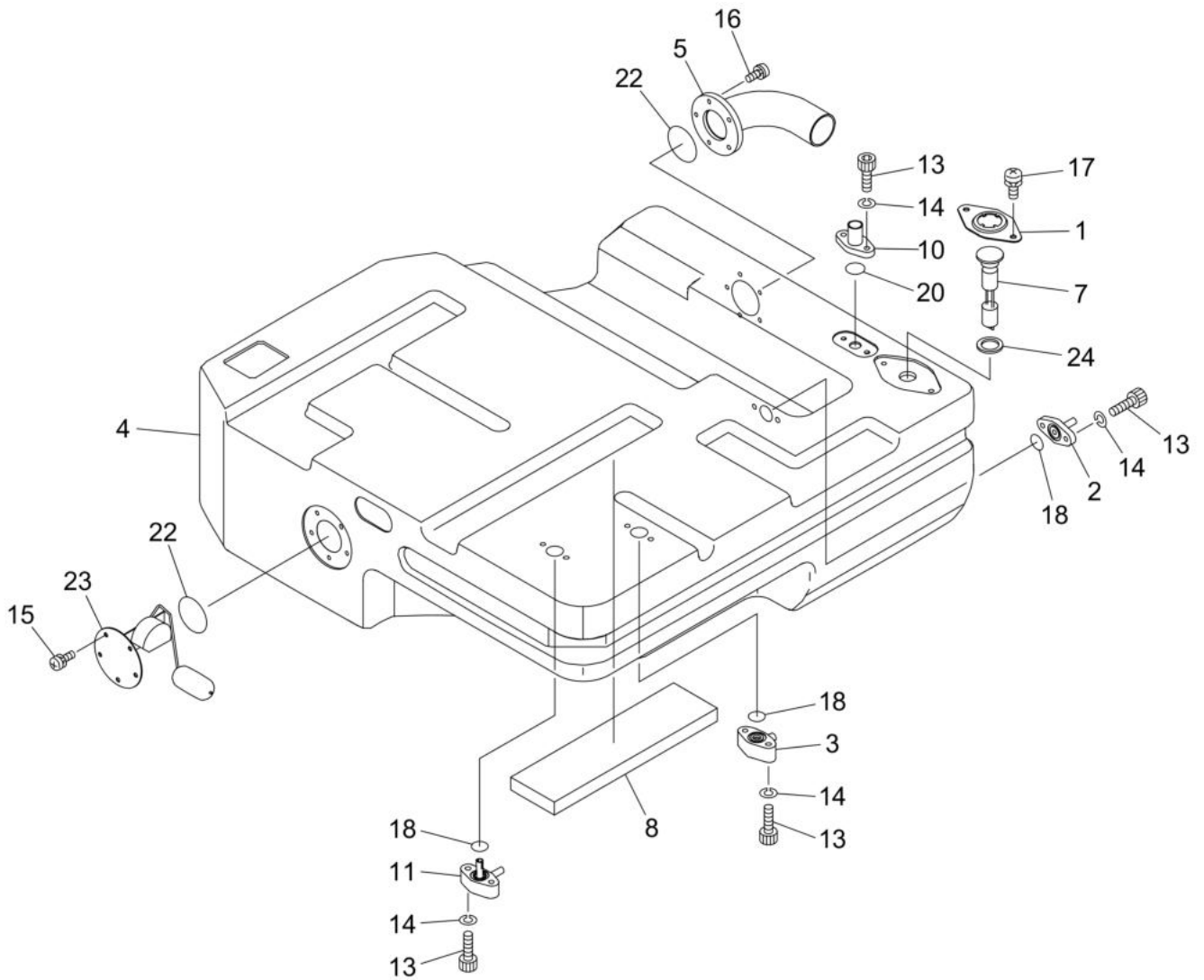
S=1/10

Item	Part No.	Name	Qty	Uom	Remarks	SERIAL NUMBER
1	0558100020	BUSHING	1	EA		
11	0558100071	BRACKET	1	EA		
17	1100050612	BOLT (10TM6 X 12 P/1.0)	2	EA		
18	1100090816	BOLT	11	EA		
20	1100050830	BOLT (10TM8 X 30 P/1.25)	2	EA		
22	1100040890	BOLT	2	EA		
23	1100051020	BOLT (10TM10 X 20 P/1.5)	3	EA		
24	1100051025	BOLT (10TM10 X 25 P/1.5)	2	EA		
26	1140020006	WASHER, spring	2	EA		
27	1140020008	WASHER, spring	16	EA		
28	1140020010	WASHER, spring	5	EA		
29	1141110006	WASHER	2	EA		
31	1141110010	WASHER, plain	3	EA		
32	1432122302	WASHER	1	EA		
33	1531007068	HOSE	1	EA	sold by the meter	
34	1531115055	PROTECTOR	1	EA	sold by the meter	
35	1531115115	PROTECTOR	1	EA	sold by the meter	
36	1531115140	PROTECTOR	1	EA	sold by the meter	
37	1531118190	PROTECTOR (SOLD BY THE METER)	1	EA	sold by the meter	
38	1531115220	PROTECTOR	1	EA	sold by the meter	
39	1531115205	PROTECTOR	1	EA	sold by the meter	
40	1531115245	PROTECTOR	1	EA	sold by the meter	
41	1531118056	PROTECTOR	1	EA	sold by the meter	
43	1531209000	HOSE	1	EA	sold by the meter	
44	1533120009	BAND	1	EA		
45	1533120012	BAND	12	EA		
46	1533120015	BAND	6	EA		
49	1534413060	HOSE	1	EA	sold by the meter	
50	1534413145	HOSE	1	EA	sold by the meter	
51	1534416195	HOSE	1	EA	sold by the meter	
52	1534413210	HOSE	1	EA	sold by the meter	
53	1534413250	HOSE	1	EA	sold by the meter	
54	1534513120	HOSE	1	EA	sold by the meter	
55	1534513225	HOSE	1	EA	sold by the meter	
59	1554502250	PLUG	1	EA		
60	1652231250	BAND (1st aux. Proportion)	4	EA		
61	Y129612-52100	PUMP, feed	1	EA	19101-99034	
62	Y129E00-55700	FILTER, fuel	1	EA	19103-02030	

This page intentionally left blank

Item	Part No.	Name	Qty	Uom	Remarks	SERIAL NUMBER
63	Y129A00-55600	FILTER, fuel	1	EA	19103-47031	
64	1911300920	COOLER, fuel	1	EA		

HYDRAULIC PIPING & TANK FUEL TANK & FUEL PIPING (2/2) (126100032-126100940)

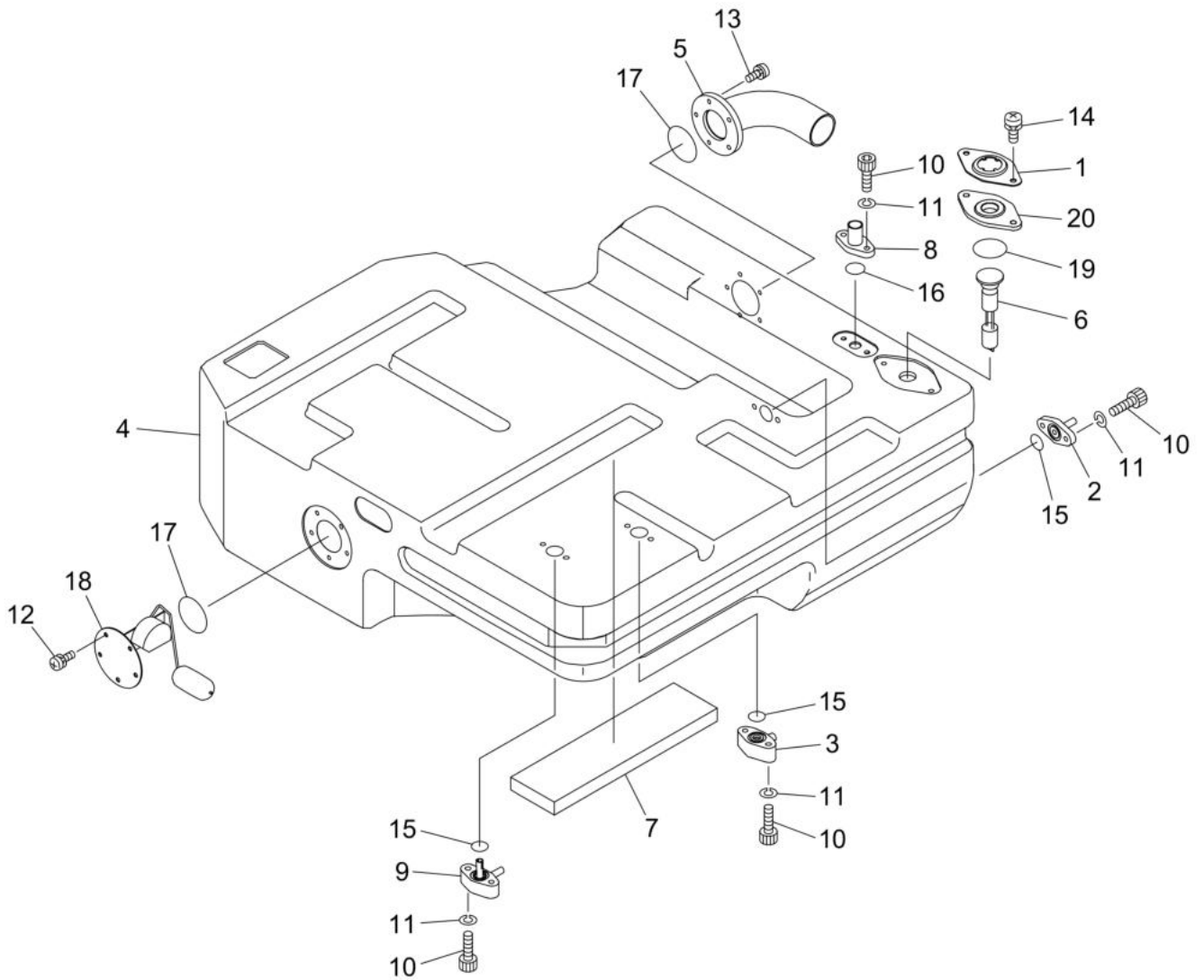


Q1D121

S=1/8

Item	Part No.	Name	Qty	Uom	Remarks	SERIAL NUMBER
0-1	*****	TANK SUB ASSY, fuel	1	EA		
1	0338100002	BRACKET	1	EA		
2	0348103450	FLANGE	1	EA		
3	0348103490	FLANGE	1	EA		
4	0558100113	TANK, fuel	1	EA		
5	0558100024	FLANGE	1	EA		
7	0558100039	SENDER, fuel	1	EA		
8	0558101006	RUBBER	1	EA		
10	0558101140	FLANGE	1	EA		
11	0881811100	FLANGE	1	EA		
13	1110050616	SCREW, cap	8	EA		
14	1140020006	WASHER, spring	8	EA		
15	1150110510	SCREW	5	EA		
16	1150110516	SCREW	5	EA		
17	1150110612	SCREW	2	EA		
18	1420010180	O-RING	3	EA		
20	1420010210	O-RING	1	EA		
22	1420010450	O-RING (P-45)	2	EA		
23	1553202100	SENDER, fuel	1	EA		
24	0378100100	PACKING	1	EA		126100678~

HYDRAULIC PIPING & TANK FUEL TANK & FUEL PIPING (2/2) (126100941-)

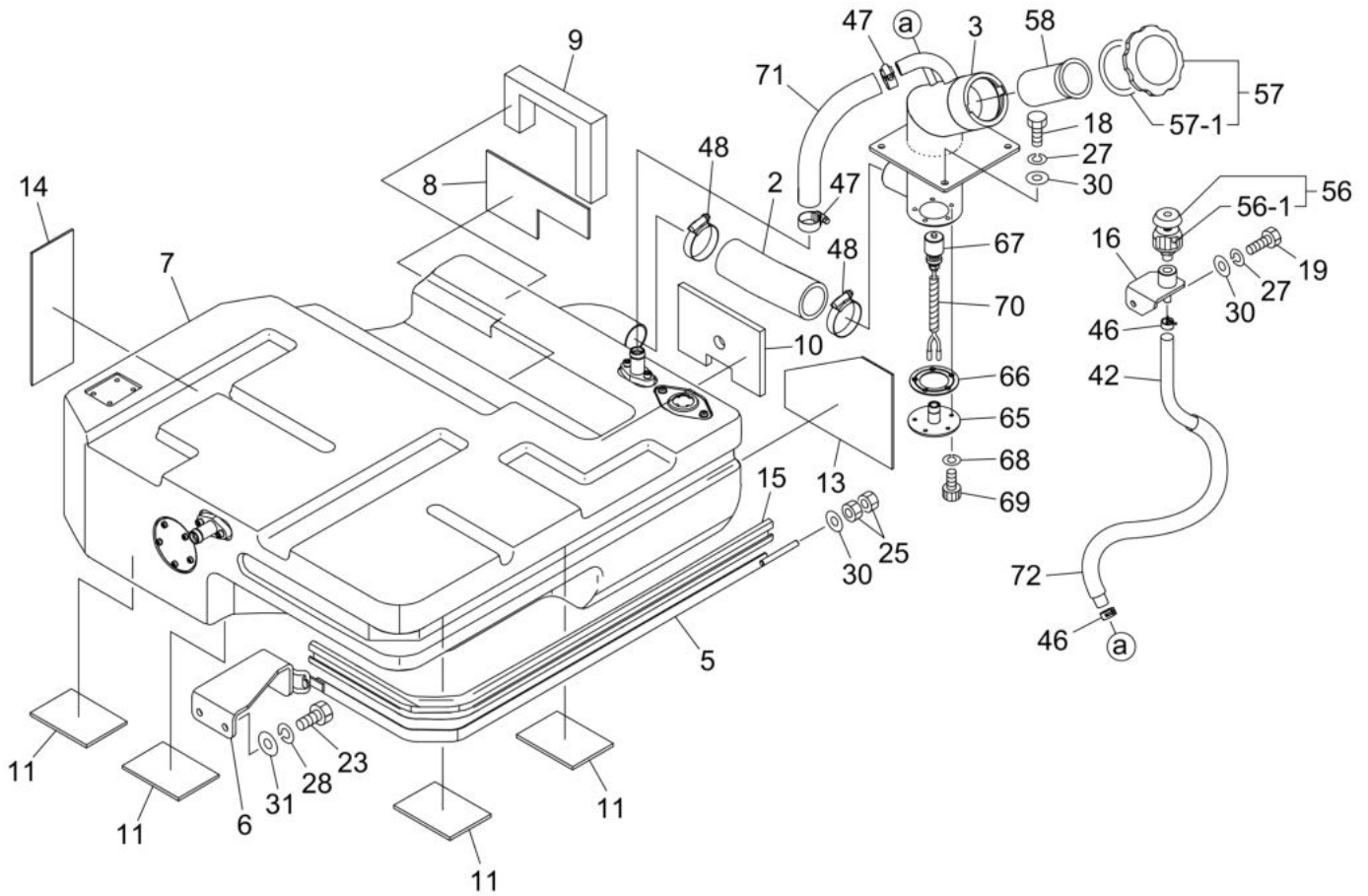


Q1D200

S=1/8

Item	Part No.	Name	Qty	Uom	Remarks	SERIAL NUMBER
0-1	*****	TANK SUB ASSY, fuel	1	EA		
1	0338100002	BRACKET	1	EA		
2	0348103450	FLANGE	1	EA		
3	0348103490	FLANGE	1	EA		
4	0558100134	TANK, fuel	1	EA		
5	0558100024	FLANGE	1	EA		
6	0558100039	SENDER, fuel	1	EA		
7	0558101006	RUBBER	1	EA		
8	0558101140	FLANGE	1	EA		
9	0881811100	FLANGE	1	EA		
10	1110050616	SCREW, cap	8	EA		
11	1140020006	WASHER, spring	8	EA		
12	1150110510	SCREW	5	EA		
13	1150110516	SCREW	5	EA		
14	1150110616	SCREW	2	EA		
15	1420010180	O-RING	3	EA		
16	1420010210	O-RING	1	EA		
17	1420010450	O-RING (P-45)	2	EA		
18	1553202100	SENDER, fuel	1	EA		
19	1420010380	O-RING (P-38)	1	EA		
20	0558100135	FLANGE	1	EA		

HYDRAULIC PIPING & TANK FUEL TANK & FUEL PIPING (1/3) (with fuel supply pump) 1



Q1D151a

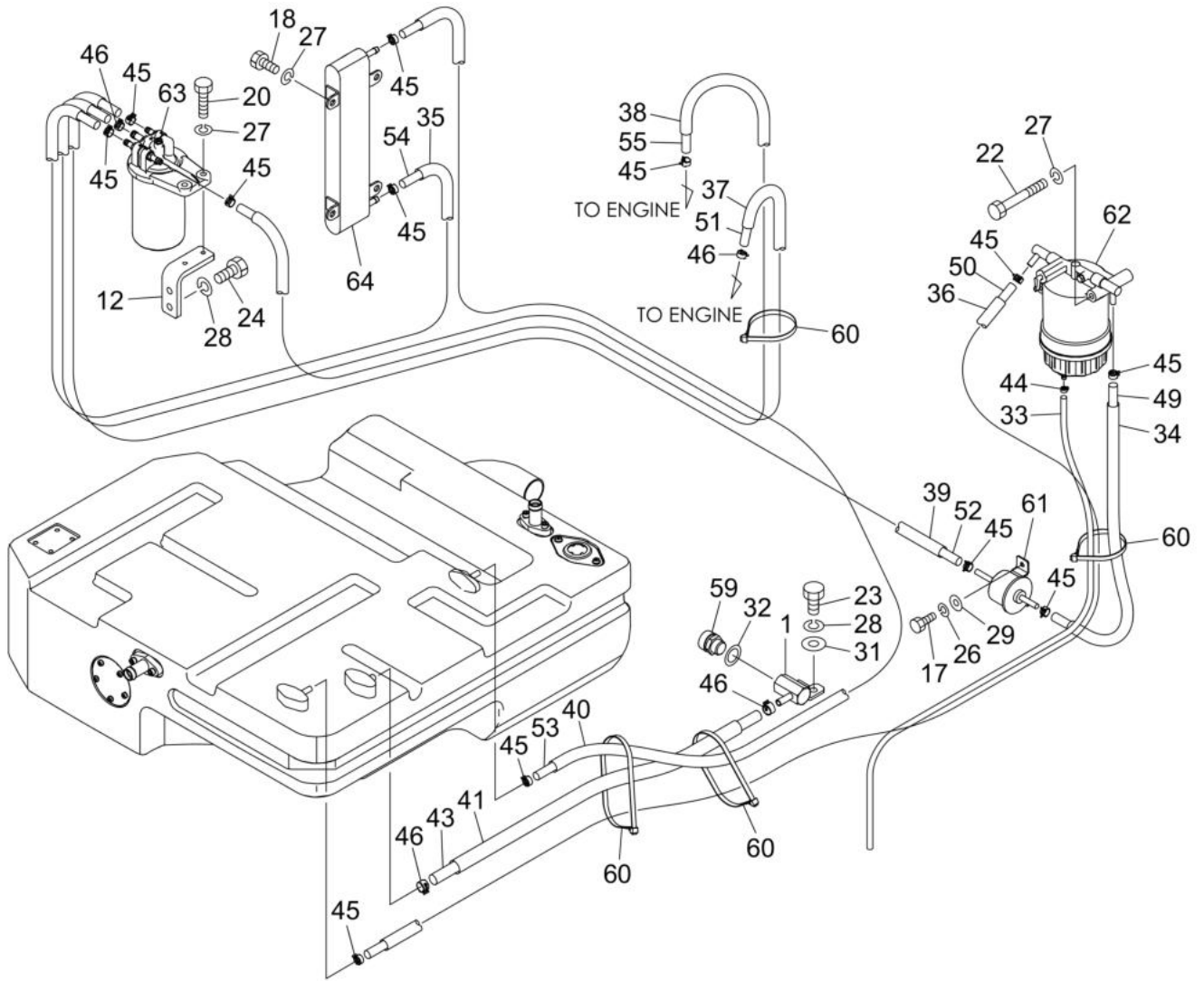
S=1/10

Item	Part No.	Name	Qty	Uom	Remarks	SERIAL NUMBER
-	PNNA	TANK ASSY, fuel		EA		
2	0558100086	HOSE	1	EA		
3	0558100080	FILLER	1	EA		
5	0558100048	BAND	1	EA		
6	0558100052	BRACKET	1	EA		
7	*****	TANK SUB ASSY, fuel	1	EA	see page (2/3)	
8	0558100059	RUBBER	1	EA		
9	0558100060	SPONGE	1	EA		
10	0558100061	SPONGE	1	EA		
11	0558100062	RUBBER	4	EA		
13	0558101009	RUBBER	1	EA		
14	0558101010	RUBBER	1	EA		
15	0558101011	RUBBER	1	EA		
16	0558100093	BRACKET	1	EA		
18	1100090816	BOLT	8	EA		
19	1100050820	BOLT (10TM8 X 20 P/1.25)	1	EA		
23	1100051020	BOLT (10TM10 X 20 P/1.5)	3	EA		
25	1130140008	NUT (polycarbonate type)	2	EA		
27	1140020008	WASHER, spring	13	EA		
28	1140020010	WASHER, spring	5	EA		
30	1141110008	WASHER	6	EA		
31	1141110010	WASHER, plain	3	EA		
42	1531209060	HOSE	1	EA	sold by the meter	
46	1533120015	BAND	6	EA		
47	1533700035	BAND	2	EA		
48	1533700060	BAND	2	EA		
56	1552002800	BREATHING, air	1	EA		
56-1	1552002802	ELEMENT	1	EA		
57	1552101400	CAP ASSY	1	EA		
57-1	1552101402	PACKING	1	EA		
58	1552101410	STRAINER	1	EA		
65	0558100114	COVER	1	EA		
66	1553200800	PACKING	1	EA		
67	0558100119	SWITCH ASSY, level	1	EA		
68	1140020005	WASHER, spring	5	EA		
69	1110050512	SCREW, cap (10TM5 X 12 P/0.8)	5	EA		
70	1703210727	TUBE	1	EA		
71	1530619023	HOSE	1	EA	sold by the meter	

This page intentionally left blank

Item	Part No.	Name	Qty	Uom	Remarks	SERIAL NUMBER
72	1531118035	PROTECTOR	1	EA	sold by the meter	

HYDRAULIC PIPING & TANK FUEL TANK & FUEL PIPING (1/3) (with fuel supply pump) 2



Q1D151b

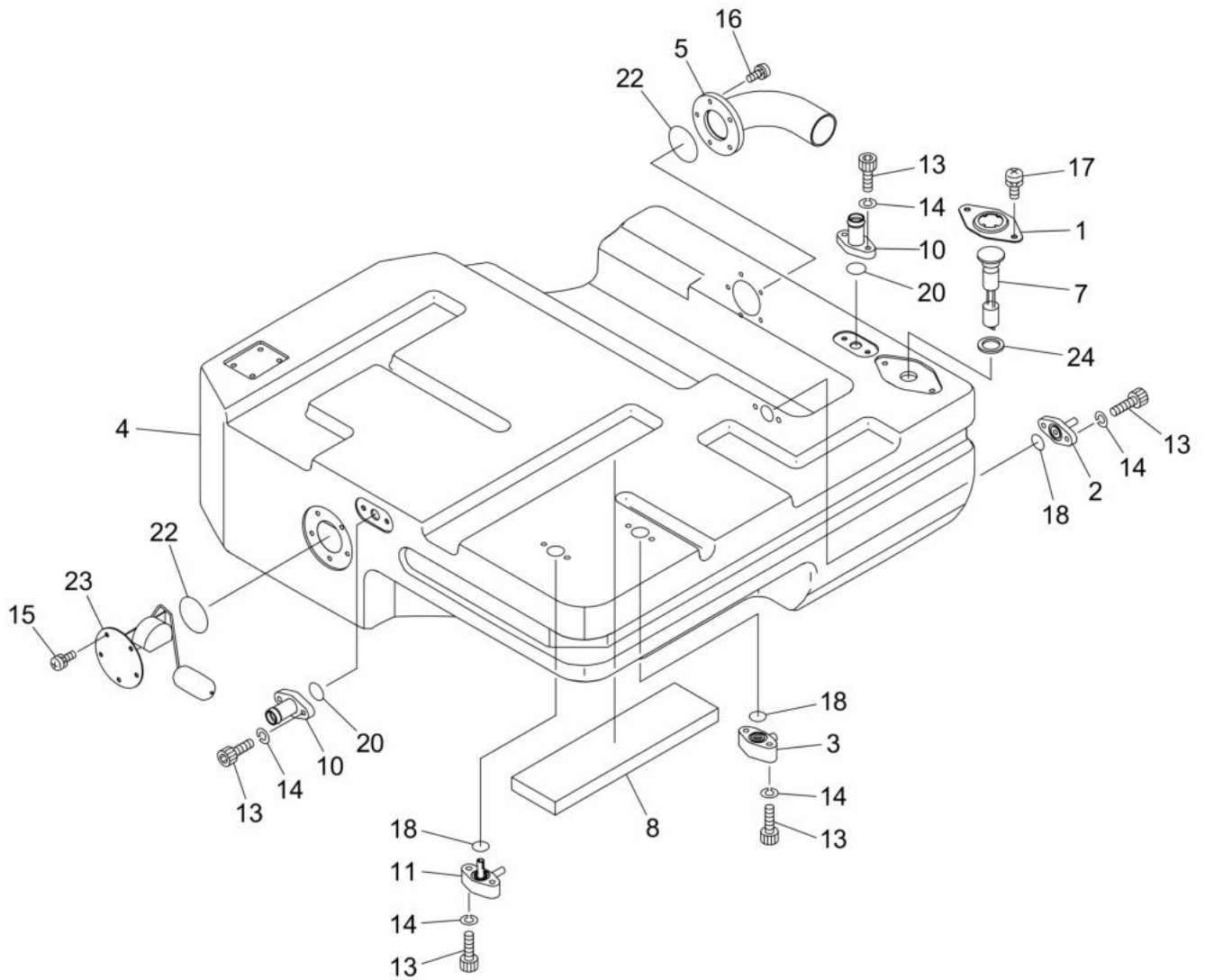
S=1/10

Item	Part No.	Name	Qty	Uom	Remarks	SERIAL NUMBER
1	0558100020	BUSHING	1	EA		
12	0558100071	BRACKET	1	EA		
17	1100050612	BOLT (10TM6 X 12 P/1.0)	2	EA		
18	1100090816	BOLT	8	EA		
20	1100050830	BOLT (10TM8 X 30 P/1.25)	2	EA		
22	1100040890	BOLT	2	EA		
23	1100051020	BOLT (10TM10 X 20 P/1.5)	3	EA		
24	1100051025	BOLT (10TM10 X 25 P/1.5)	2	EA		
26	1140020006	WASHER, spring	2	EA		
27	1140020008	WASHER, spring	13	EA		
28	1140020010	WASHER, spring	5	EA		
29	1141110006	WASHER	2	EA		
31	1141110010	WASHER, plain	3	EA		
32	1432122302	WASHER	1	EA		
33	1531007068	HOSE	1	EA	sold by the meter	
34	1531115055	PROTECTOR	1	EA	sold by the meter	
35	1531115115	PROTECTOR	1	EA	sold by the meter	
36	1531115140	PROTECTOR	1	EA	sold by the meter	
37	1531118190	PROTECTOR (SOLD BY THE METER)	1	EA	sold by the meter	
38	1531115220	PROTECTOR	1	EA	sold by the meter	
39	1531115205	PROTECTOR	1	EA	sold by the meter	
40	1531115245	PROTECTOR	1	EA	sold by the meter	
41	1531118056	PROTECTOR	1	EA	sold by the meter	
43	1531209000	HOSE	1	EA	sold by the meter	
44	1533120009	BAND	1	EA		
45	1533120012	BAND	12	EA		
46	1533120015	BAND	6	EA		
49	1534413060	HOSE	1	EA	sold by the meter	
50	1534413145	HOSE	1	EA	sold by the meter	
51	1534416195	HOSE	1	EA	sold by the meter	
52	1534413210	HOSE	1	EA	sold by the meter	
53	1534413250	HOSE	1	EA	sold by the meter	
54	1534513120	HOSE	1	EA	sold by the meter	
55	1534513225	HOSE	1	EA	sold by the meter	
59	1554502250	PLUG	1	EA		
60	1652231250	BAND (1st aux. Proportion)	4	EA		
61	Y129612-52100	PUMP, feed	1	EA	19101-99034	
62	Y129E00-55700	FILTER, fuel	1	EA	19103-02030	

This page intentionally left blank

Item	Part No.	Name	Qty	Uom	Remarks	SERIAL NUMBER
63	Y129A00-55600	FILTER, fuel	1	EA	19103-47031	
64	1911300920	COOLER, fuel	1	EA		

HYDRAULIC PIPING & TANK FUEL TANK & FUEL PIPING (2/3) (with fuel supply pump) (126100003-126100940)

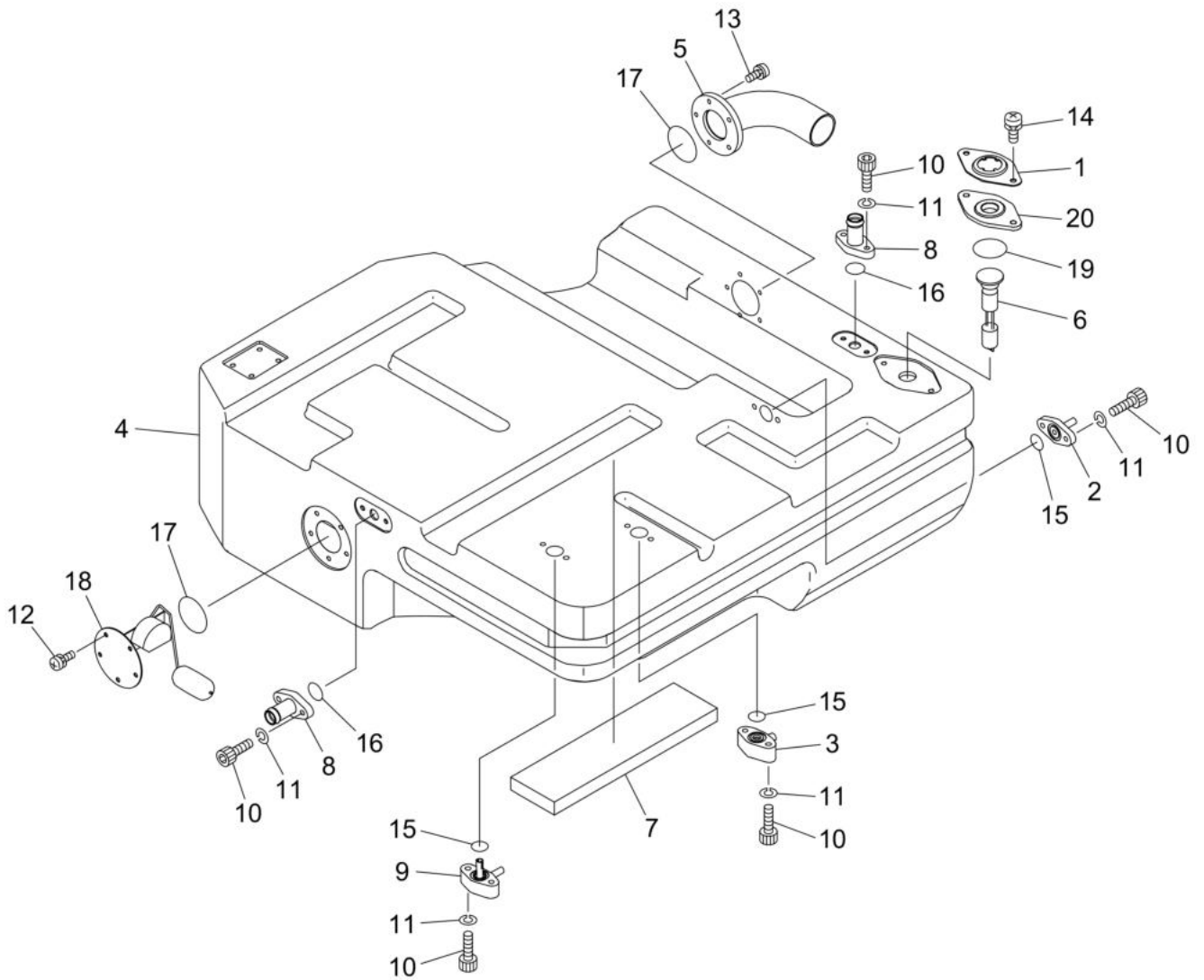


Q0D371

S=1/8

Item	Part No.	Name	Qty	Uom	Remarks	SERIAL NUMBER
0-1	*****	TANK SUB ASSY, fuel	1	EA		
1	0338100002	BRACKET	1	EA		
2	0348103450	FLANGE	1	EA		
3	0348103490	FLANGE	1	EA		
4	0558100112	TANK, fuel	1	EA		
5	0558100024	FLANGE	1	EA		
7	0558100039	SENDER, fuel	1	EA		
8	0558101006	RUBBER	1	EA		
10	0558101140	FLANGE	2	EA		
11	0881811100	FLANGE	1	EA		
13	1110050616	SCREW, cap	10	EA		
14	1140020006	WASHER, spring	10	EA		
15	1150110510	SCREW	5	EA		
16	1150110516	SCREW	5	EA		
17	1150110612	SCREW	2	EA		
18	1420010180	O-RING	3	EA		
20	1420010210	O-RING	2	EA		
22	1420010450	O-RING (P-45)	2	EA		
23	1553202100	SENDER, fuel	1	EA		
24	0378100100	PACKING	1	EA		126100678~

HYDRAULIC PIPING & TANK FUEL TANK & FUEL PIPING (2/3) (with fuel supply pump) (126100941-)

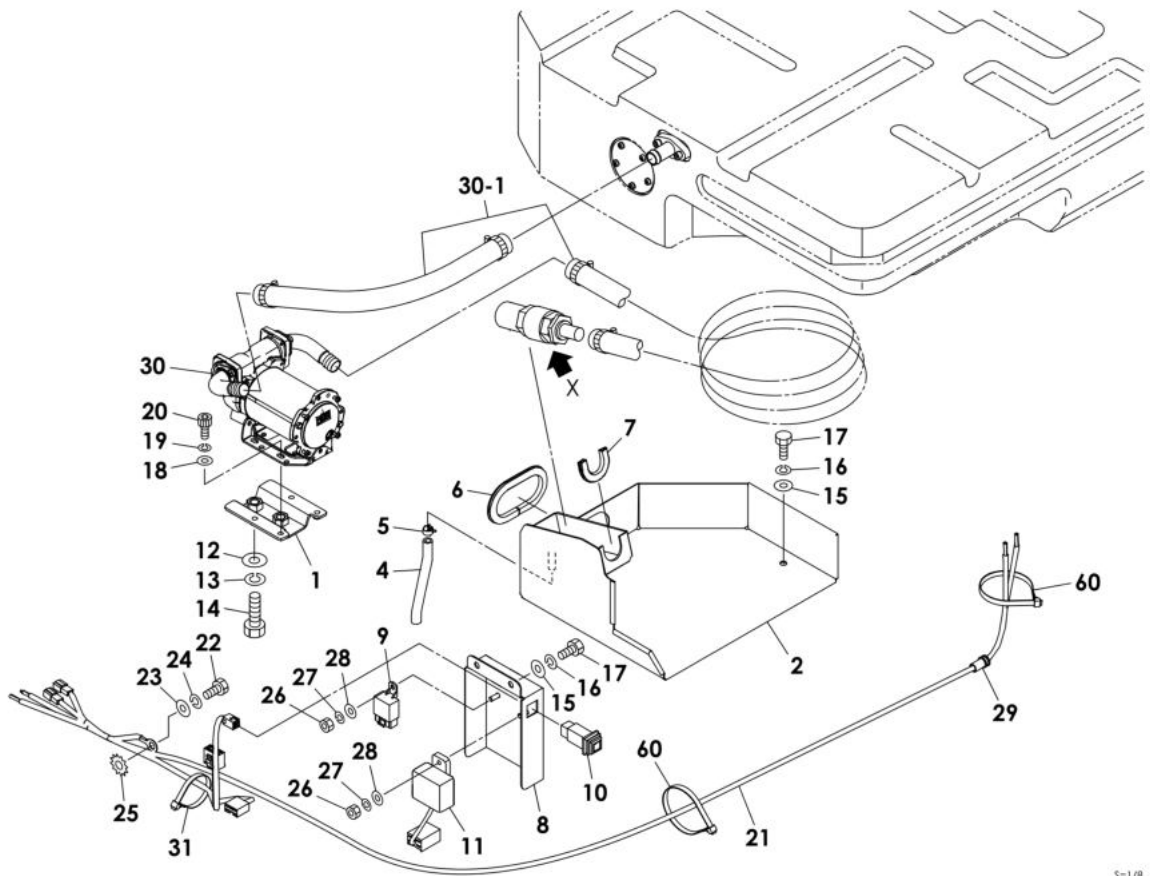


Q0D440

S=1/8

Item	Part No.	Name	Qty	Uom	Remarks	SERIAL NUMBER
0-1	*****	TANK SUB ASSY, fuel	1	EA		
1	0338100002	BRACKET	1	EA		
2	0348103450	FLANGE	1	EA		
3	0348103490	FLANGE	1	EA		
4	0558100131	TANK, fuel	1	EA		
5	0558100024	FLANGE	1	EA		
6	0558100039	SENDER, fuel	1	EA		
7	0558101006	RUBBER	1	EA		
8	0558101140	FLANGE	2	EA		
9	0881811100	FLANGE	1	EA		
10	1110050616	SCREW, cap	10	EA		
11	1140020006	WASHER, spring	10	EA		
12	1150110510	SCREW	5	EA		
13	1150110516	SCREW	5	EA		
14	1150110616	SCREW	2	EA		
15	1420010180	O-RING	3	EA		
16	1420010210	O-RING	2	EA		
17	1420010450	O-RING (P-45)	2	EA		
18	1553202100	SENDER, fuel	1	EA		
19	1420010380	O-RING (P-38)	1	EA		
20	0558100135	FLANGE	1	EA		

HYDRAULIC PIPING & TANK FUEL TANK & FUEL PIPING (3/3) (with fuel supply pump)

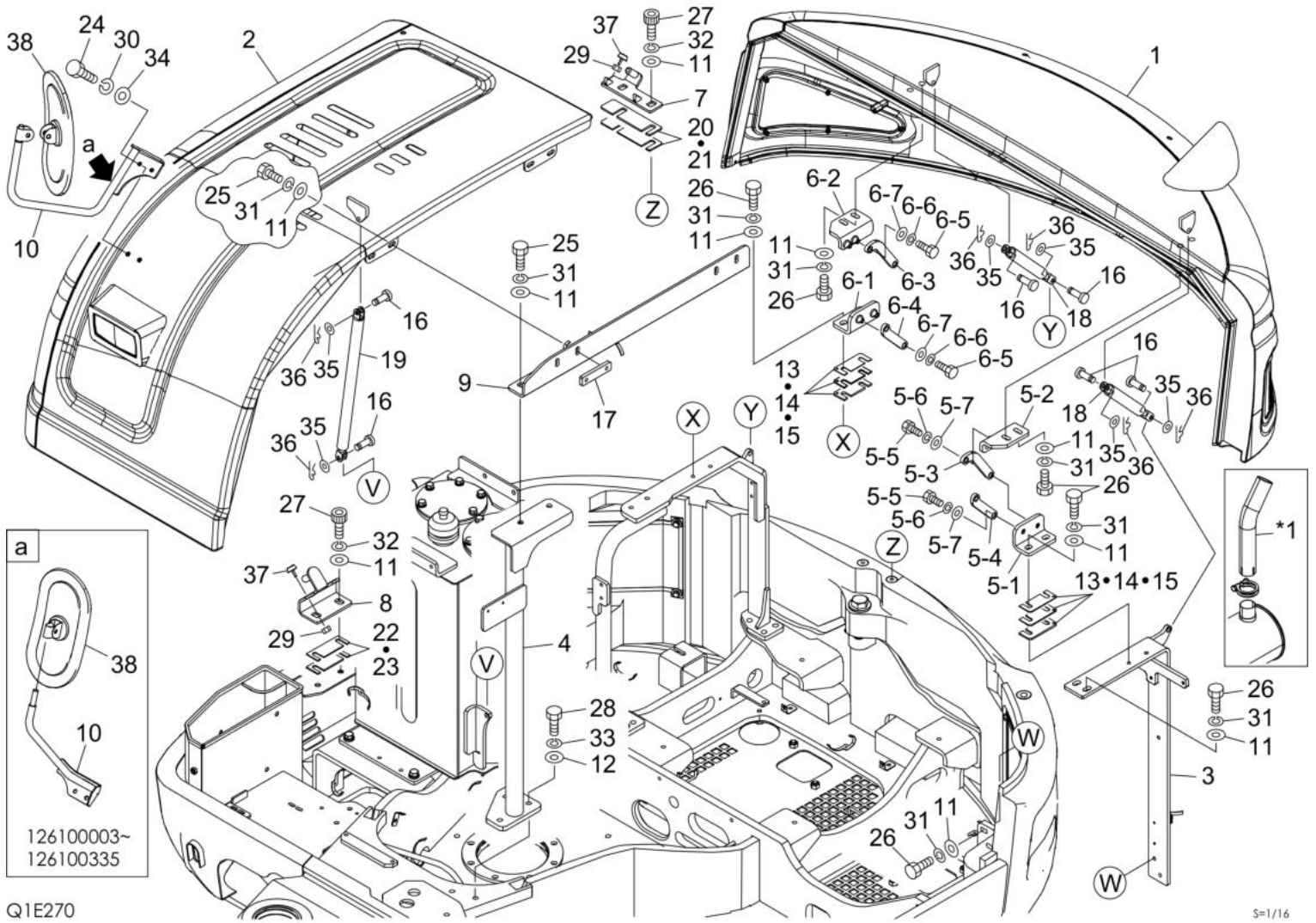


Q1D221

S=1/8

Item	Part No.	Name	Qty	Uom	Remarks	SERIAL NUMBER
0-1	*****	PUMP ASSY, fuel supply	1	EA		
1	0558100029	PLATE ASSY	1	EA		
2	0558100088	BOX ASSY	1	EA		
4	1531207000	HOSE, fuel (SOLD BY THE METER)	1	EA	sold by the meter	
5	1533120511	BAND	1	EA		
6	1653916023	TRIM	1	EA	sold by the meter	
7	1653916008	TRIM	1	EA	sold by the meter	
8	0568135030	BRACKET	1	EA		
9	1711900123	RELAY	1	EA	not service	126100003~126100539
9	1711900124	RELAY	1	EA		126100540~
10	1700000039	SWITCH	1	EA		
11	1711900172	CLAMP	1	EA		
12	1141110012	WASHER	2	EA		
13	1140020012	WASHER, spring (12MM)	2	EA		
14	1101041235	BOLT	2	EA		
15	1141110008	WASHER	5	EA		
16	1140020008	WASHER, spring	5	EA		
17	1100090816	BOLT	5	EA		
18	1141110005	WASHER, flat (ZINC) (5MM)	4	EA		
19	1140020005	WASHER, spring	4	EA		
20	1110040512	SCREW, cap	4	EA		
21	0558100118	HARNESS, wiring	1	EA		
22	1100051016	BOLT	1	EA		
23	1141110010	WASHER, plain	1	EA		
24	1140020010	WASHER, spring	1	EA		
25	1140330010	WASHER, spring	1	EA		
26	1130040006	NUT	2	EA		
27	1140020006	WASHER, spring	2	EA		
28	1141110006	WASHER	2	EA		
29	1700100092	GROMMET	1	EA		
30	1711910350	PUMP ASSY	1	EA		
30-1	1919901730	HOSE ASSY	1	EA		
31	1652231140	BAND	1	EA		
60	1652231250	BAND (1st aux. Proportion)	2	EA		

COVER & CAB COVER (1/3) (cab)



Q1E270

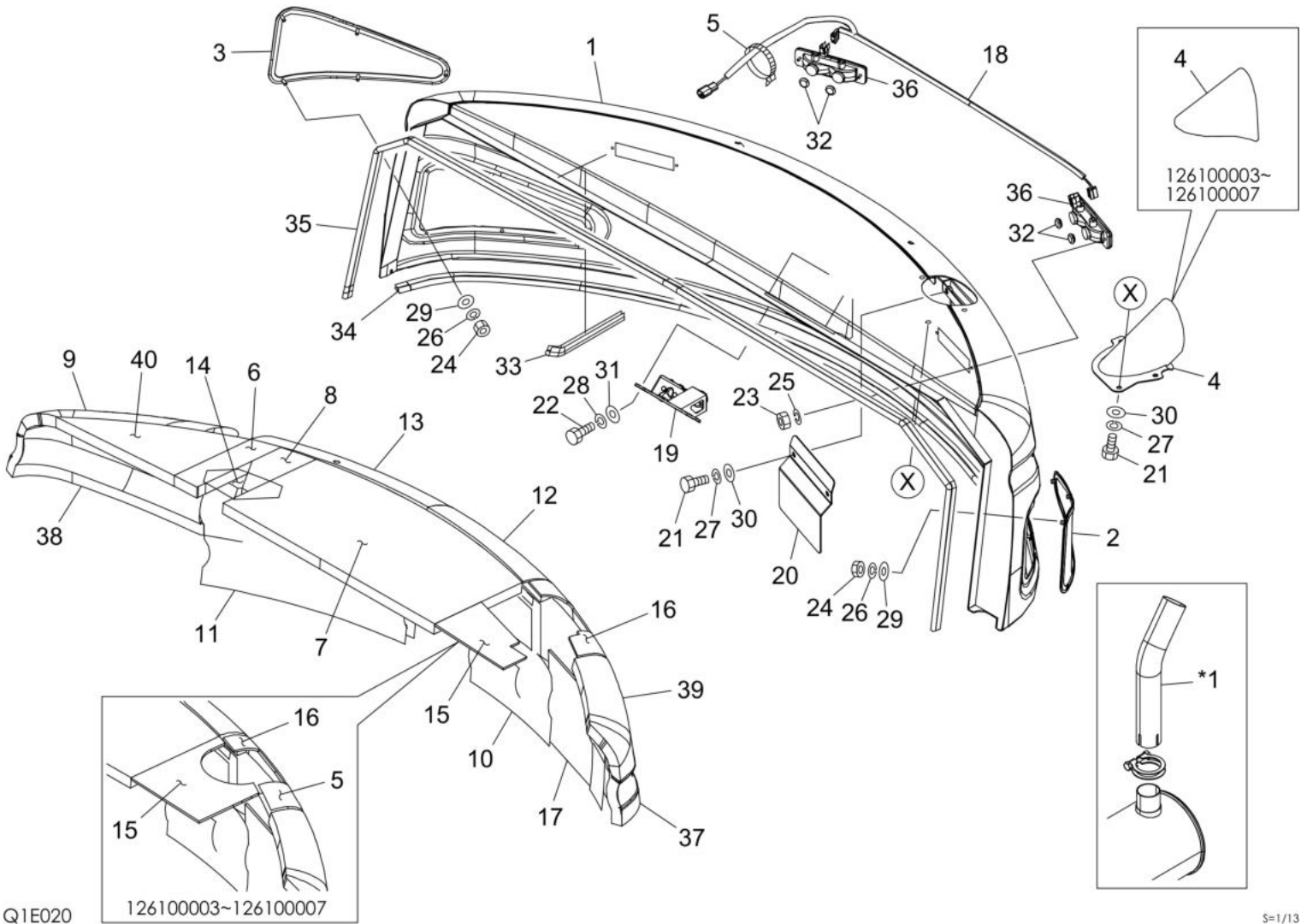
S=1/16

Item	Part No.	Name	Qty	Uom	Remarks	SERIAL NUMBER
-	PNNA	COVER ASSY		EA		
1	0558200046	HOOD ASSY, engine	1	EA	A	126100003~126100007
1	0558200094	HOOD ASSY, engine	1	EA	a	126100008~
2	0558200040	COVER ASSY, side	1	EA	see page (3/3)	
3	0558200075	BRACKET	1	EA		
4	0558200077	BRACKET	1	EA		
5	*****	HINGE ASSY (L.H.)	1	EA		
5-1	0558201410	BRACKET (L.H.)	1	EA		
5-2	0558201420	BRACKET (L.H.)	1	EA		
5-3	0558201430	LINK	1	EA		
5-4	0558201440	LINK	1	EA		
5-5	1100050825	BOLT (10TM8 X 25 P/1.25)	4	EA		
5-6	1140020008	WASHER, spring	4	EA		
5-7	0003608252	WASHER	4	EA		
6	*****	HINGE ASSY (R.H.)	1	EA		
6-1	0558201460	BRACKET	1	EA		
6-2	0558201470	BRACKET	1	EA		
6-3	0558201430	LINK	1	EA		
6-4	0558201440	LINK	1	EA		
6-5	1100050825	BOLT (10TM8 X 25 P/1.25)	4	EA		
6-6	1140020008	WASHER, spring	4	EA		
6-7	0003608252	WASHER	4	EA		
7	0568268710	BRACKET	1	EA		
8	0558200053	BRACKET	1	EA		
9	0558200088	BRACKET	1	EA		
10	0558200089	BRACKET	1	EA	B	126100003~126100335
10	0558200145	BRACKET (SEE #0558200089TO FOR REDUCED PRICE)	1	EA	b	126100336~
11	0003600025	WASHER	24	EA		
12	0003600026	WASHER	3	EA		
13	0003900054	SHIM	1	EA	t=4.5mm	
14	0003900055	SHIM	1	EA	t=2.3mm	
15	0003900056	SHIM	1	EA	t=1.6mm	
16	0343503200	PIN	6	EA		
17	0558200003	PLATE	2	EA		
18	0558201352	GAS SPRING	2	EA	max : 310mm	126100003~126100336
18	1653900087	SPRING, gas	2	EA	max : 320mm	126100337~
19	0558201353	SPRING, gas	1	EA		
20	0568266902	SPACER	1	EA	t=3.2mm	

This page intentionally left blank

Item	Part No.	Name	Qty	Uom	Remarks	SERIAL NUMBER
21	0568266903	SPACER	1	EA	t=4.5mm	
22	0568266904	SPACER	1	EA	t=2.3mm	
23	0568266905	SHIM	1	EA	t=3.2mm	
24	1100050825	BOLT (10TM8 X 25 P/1.25)	2	EA		
25	1100051030	BOLT	8	EA		
26	1100051035	BOLT (10TM10 X 35 P/1.5)	12	EA		
27	1110051025	SCREW, cap (10TM10 X 25 P/1.5)	4	EA		
28	1111051235	BOLT, socket (10TM12 X35 P/1.50)	3	EA		
29	1130030005	NUT	4	EA		
30	1140020008	WASHER, spring	2	EA		
31	1140020010	WASHER, spring	20	EA		
32	1140420010	WASHER, spring	4	EA		
33	1140420012	WASHER, spring	3	EA		
34	1141110008	WASHER	2	EA		126100003~126100335
34	0003608252	WASHER	2	EA	b	126100336~
35	1141110010	WASHER, plain	6	EA		
36	1214000008	PIN, snap	6	EA		
37	1652515100	CUSHION, rubber	4	EA		
38	1656500120	MIRROR ASSY, rear (#1656500120TO FOR REDUCED PRICE)	1	EA		
*1	0554000196	PIPE, exhaust	1	EA	a	
-	PNNA	"A" is interchangeable with SET "a".		EA		
-	PNNA	"B" is interchangeable with SET "b".		EA		

COVER & CAB COVER (2/3) (cab) (engine hood)

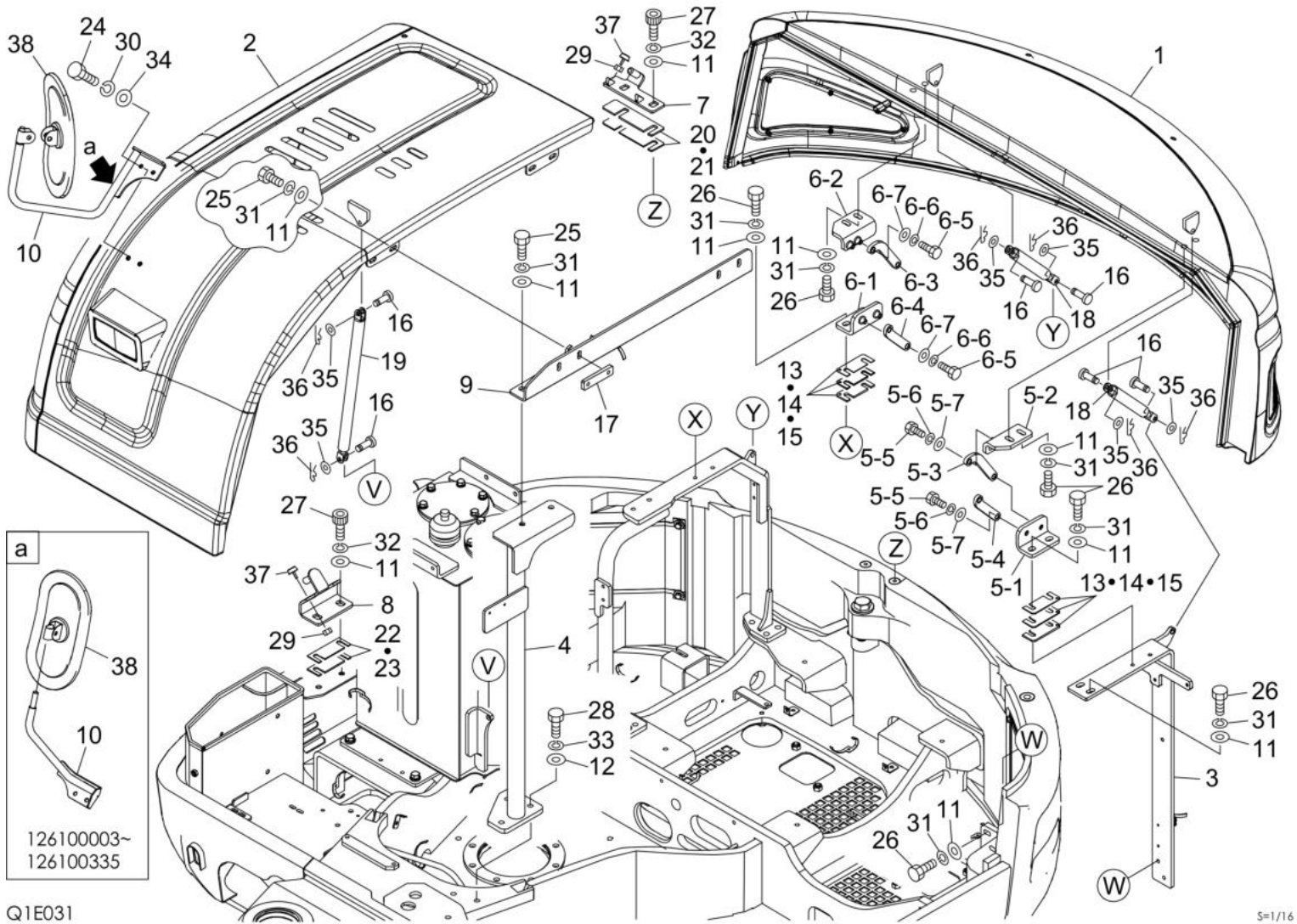


Item	Part No.	Name	Qty	Uom	Remarks	SERIAL NUMBER
0-1	0558200046	HOOD ASSY, engine	1	EA	A	126100003~126100007
0-1	0558200094	HOOD ASSY, engine	1	EA	a	126100008~
1	0558200047	HOOD, engine	1	EA		126100003~126100007
1	0558200095	HOOD, engine	1	EA		126100008~
2	0558201170	NET	1	EA		
3	0558201180	NET	1	EA		
4	0558200073	PIPE	1	EA		126100003~126100007
4	0558200103	PIPE	1	EA		126100008~
5	0558200004	ABSORBENT	1	EA		126100003~126100007
5	1652201005	BAND	1	EA		126100008~
6	0558200005	ABSORBENT, noise	1	EA		
7	0558200063	ABSORBENT, noise	1	EA		
8	0558200064	ABSORBENT, noise	1	EA		
9	0558200065	ABSORBENT, noise	1	EA		
10	0558200066	ABSORBENT, noise	1	EA		
11	0558200067	ABSORBENT, noise	1	EA		
12	0558200068	ABSORBENT, noise	1	EA		
13	0558200069	ABSORBENT, noise	1	EA		
14	0558200070	ABSORBENT, noise	1	EA		
15	0558200071	INSULATOR	1	EA		126100003~126100007
15	0558200107	INSULATOR	1	EA		126100008~
16	0558200072	INSULATOR	1	EA		126100003~126100007
16	0558200108	INSULATOR	1	EA		126100008~
17	0558201198	INSULATOR	1	EA		126100003~126100007
17	0558200109	INSULATOR	1	EA		126100008~
18	0568266185	HARNESS, wiring	1	EA		126100003~126100007
18	0558200117	HARNESS, wiring	1	EA		126100008~
19	0568268180	LOCK	1	EA		
20	0578208070	PLATE	1	EA		
21	1100090816	BOLT	5	EA		
22	1100051025	BOLT (10TM10 X 25 P/1.5)	2	EA		
23	1130030004	NUT	4	EA		
24	1130050006	NUT (4TM6 P/1.0)	10	EA		
25	1140020004	WASHER, spring	4	EA		
26	1140020006	WASHER, spring	10	EA		
27	1140020008	WASHER, spring	5	EA		
28	1140020010	WASHER, spring	2	EA		
29	1141110006	WASHER	10	EA		

This page intentionally left blank

Item	Part No.	Name	Qty	Uom	Remarks	SERIAL NUMBER
30	1141110008	WASHER	5	EA		
31	1141110010	WASHER, plain	2	EA		
32	1652051400	GROMMET	4	EA		
33	1654606000	SEAL (SOLD BY THE METER)	1	EA	sold by the meter	
34	1654606209	SEAL	1	EA	sold by the meter	
35	1654606000	SEAL (SOLD BY THE METER)	1	EA	sold by the meter	
36	1703007000	LAMP, tail	2	EA		
37	0558201104	ABSORBENT, noise	1	EA		
38	0558201105	ABSORBENT, noise	1	EA		
39	0558201108	ABSORBENT, noise	1	EA		
40	0558201196	ABSORBENT, noise	1	EA		
*1	0554000196	PIPE, exhaust	1	EA	a	
-	PNNA	"A" is interchangeable with SET "a".		EA		

COVER & CAB COVER (1/3) (canopy)

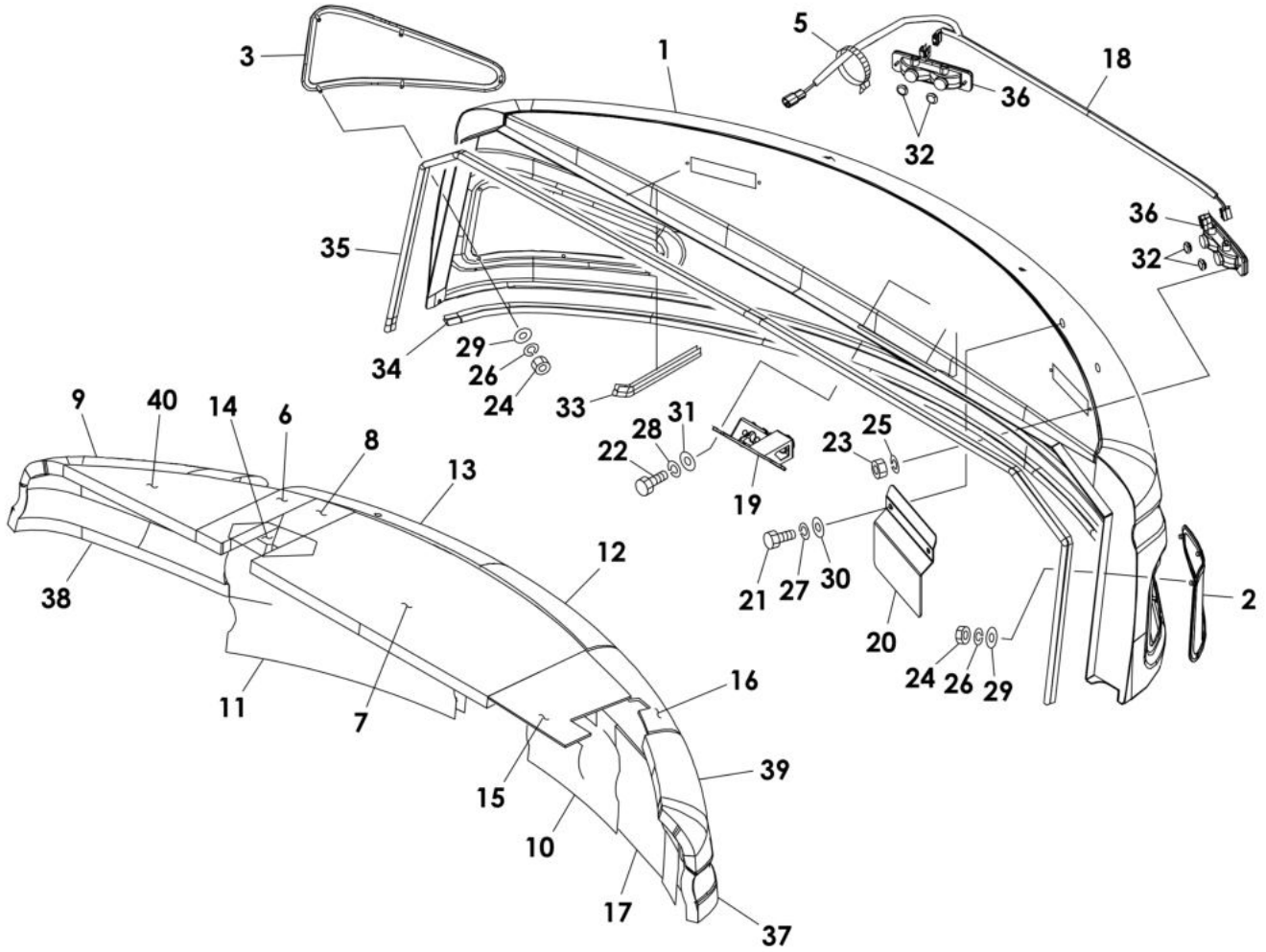


Item	Part No.	Name	Qty	Uom	Remarks	SERIAL NUMBER
-	PNNA	COVER ASSY		EA		
1	0558200126	HOOD ASSY, engine	1	EA	see page (2/3)	
2	0558200040	COVER ASSY, side	1	EA	see page (3/3)	
3	0558200075	BRACKET	1	EA		
4	0558200077	BRACKET	1	EA		
5	*****	HINGE ASSY (L.H.)	1	EA		
5-1	0558201410	BRACKET (L.H.)	1	EA		
5-2	0558201420	BRACKET (L.H.)	1	EA		
5-3	0558201430	LINK	1	EA		
5-4	0558201440	LINK	1	EA		
5-5	1100050825	BOLT (10TM8 X 25 P/1.25)	4	EA		
5-6	1140020008	WASHER, spring	4	EA		
5-7	0003608252	WASHER	4	EA		
6	*****	HINGE ASSY (R.H.)	1	EA		
6-1	0558201460	BRACKET	1	EA		
6-2	0558201470	BRACKET	1	EA		
6-3	0558201430	LINK	1	EA		
6-4	0558201440	LINK	1	EA		
6-5	1100050825	BOLT (10TM8 X 25 P/1.25)	4	EA		
6-6	1140020008	WASHER, spring	4	EA		
6-7	0003608252	WASHER	4	EA		
7	0568268710	BRACKET	1	EA		
8	0558200053	BRACKET	1	EA		
9	0558200088	BRACKET	1	EA		
10	0558200089	BRACKET	1	EA	A	126100003~126100335
10	0558200145	BRACKET (SEE #0558200089 TO FOR REDUCED PRICE)	1	EA	a	126100336~
11	0003600025	WASHER	24	EA		
12	0003600026	WASHER	3	EA		
13	0003900054	SHIM	1	EA	t=4.5mm	
14	0003900055	SHIM	1	EA	t=2.3mm	
15	0003900056	SHIM	1	EA	t=1.6mm	
16	0343503200	PIN	6	EA		
17	0558200003	PLATE	2	EA		
18	0558201352	GAS SPRING	2	EA	max : 310mm	126100003~126100336
18	1653900087	SPRING, gas	2	EA	max : 320mm	126100337~
19	0558201353	SPRING, gas	1	EA		
20	0568266902	SPACER	1	EA	t=3.2mm	
21	0568266903	SPACER	1	EA	t=4.5mm	

This page intentionally left blank

Item	Part No.	Name	Qty	Uom	Remarks	SERIAL NUMBER
22	0568266904	SPACER	1	EA	t=2.3mm	
23	0568266905	SHIM	1	EA	t=3.2mm	
24	1100050825	BOLT (10TM8 X 25 P/1.25)	2	EA		
25	1100051030	BOLT	8	EA		
26	1100051035	BOLT (10TM10 X 35 P/1.5)	12	EA		
27	1110051025	SCREW, cap (10TM10 X 25 P/1.5)	4	EA		
28	1111051235	BOLT, socket (10TM12 X35 P/1.50)	3	EA		
29	1130030005	NUT	4	EA		
30	1140020008	WASHER, spring	2	EA		
31	1140020010	WASHER, spring	20	EA		
32	1140420010	WASHER, spring	4	EA		
33	1140420012	WASHER, spring	3	EA		
34	1141110008	WASHER	2	EA		126100003~126100335
34	0003608252	WASHER	2	EA	a	126100336~
35	1141110010	WASHER, plain	6	EA		
36	1214000008	PIN, snap	6	EA		
37	1652515100	CUSHION, rubber	4	EA		
38	1656500120	MIRROR ASSY, rear (#1656500120TO FOR REDUCED PRICE)	1	EA		
-	PNNA	"A" is interchangeable with SET "a".		EA		

COVER & CAB COVER (2/3) (canopy) (engine hood)



Q1E040

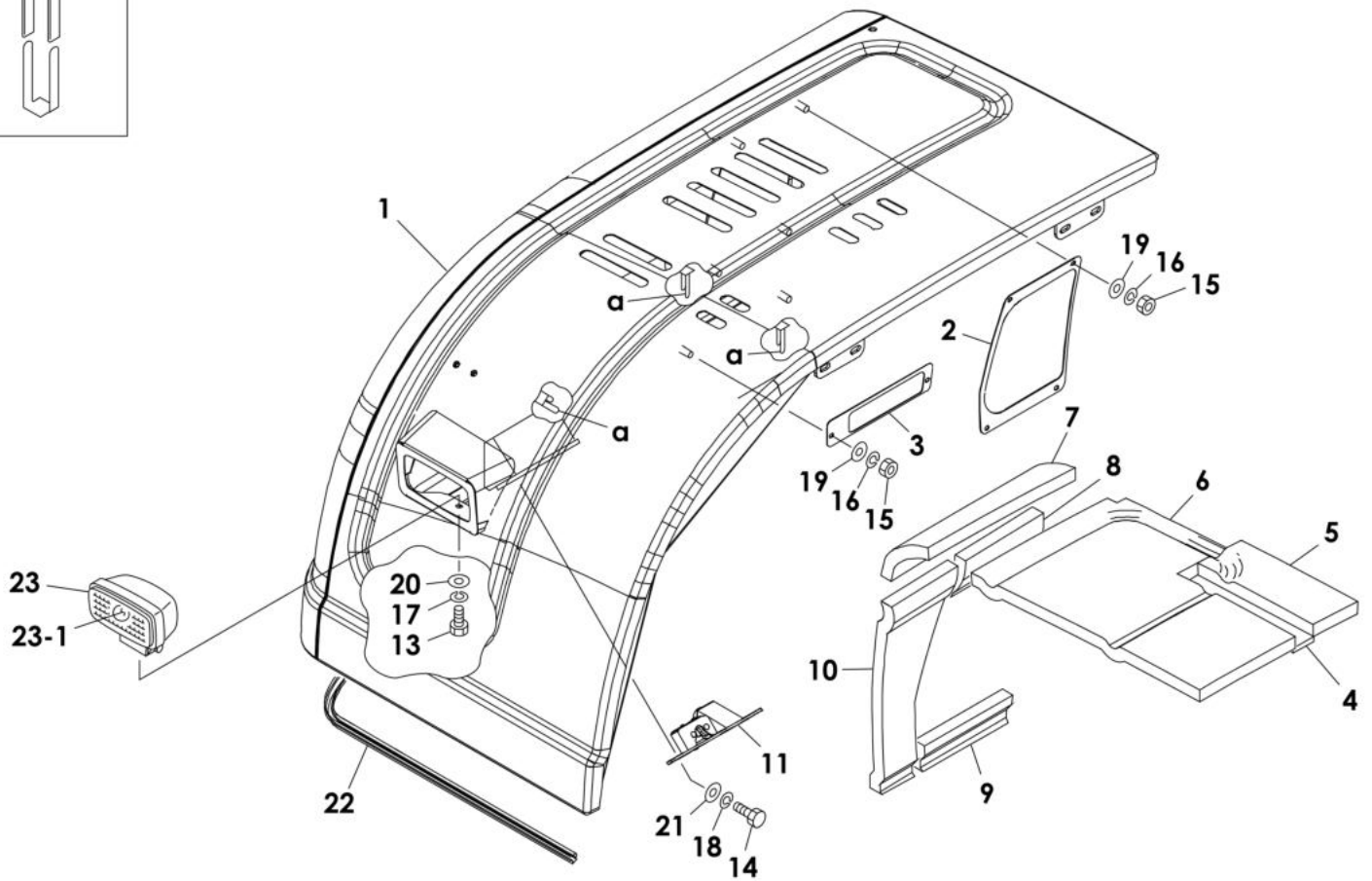
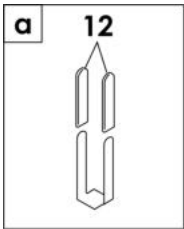
S=1/13

Item	Part No.	Name	Qty	Uom	Remarks	SERIAL NUMBER
0-1	0558200126	HOOD ASSY, engine	1	EA		
1	0558200127	HOOD, engine	1	EA		
2	0558201170	NET	1	EA		
3	0558201180	NET	1	EA		
5	1652201005	BAND	1	EA		
6	0558200005	ABSORBENT, noise	1	EA		
7	0558200063	ABSORBENT, noise	1	EA		
8	0558200064	ABSORBENT, noise	1	EA		
9	0558200065	ABSORBENT, noise	1	EA		
10	0558200066	ABSORBENT, noise	1	EA		
11	0558200067	ABSORBENT, noise	1	EA		
12	0558200068	ABSORBENT, noise	1	EA		
13	0558200069	ABSORBENT, noise	1	EA		
14	0558200070	ABSORBENT, noise	1	EA		
15	0558200135	INSULATOR	1	EA		
16	0558200136	INSULATOR	1	EA		
17	0558200109	INSULATOR	1	EA		
18	0558200117	HARNES, wiring	1	EA		
19	0568268180	LOCK	1	EA		
20	0578208070	PLATE	1	EA		
21	1100090816	BOLT	2	EA		
22	1100051025	BOLT (10TM10 X 25 P/1.5)	2	EA		
23	1130030004	NUT	4	EA		
24	1130050006	NUT (4TM6 P/1.0)	10	EA		
25	1140020004	WASHER, spring	4	EA		
26	1140020006	WASHER, spring	10	EA		
27	1140020008	WASHER, spring	2	EA		
28	1140020010	WASHER, spring	2	EA		
29	1141110006	WASHER	10	EA		
30	1141110008	WASHER	2	EA		
31	1141110010	WASHER, plain	2	EA		
32	1652051400	GROMMET	4	EA		
33	1654606000	SEAL (SOLD BY THE METER)	1	EA	sold by the meter	
34	1654606209	SEAL	1	EA	sold by the meter	
35	1654606000	SEAL (SOLD BY THE METER)	1	EA	sold by the meter	
36	1703007000	LAMP, tail	2	EA		
37	0558201104	ABSORBENT, noise	1	EA		
38	0558201105	ABSORBENT, noise	1	EA		

This page intentionally left blank

Item	Part No.	Name	Qty	Uom	Remarks	SERIAL NUMBER
39	0558201108	ABSORBENT, noise	1	EA		
40	0558201196	ABSORBENT, noise	1	EA		

COVER & CAB COVER (3/3) (side cover)

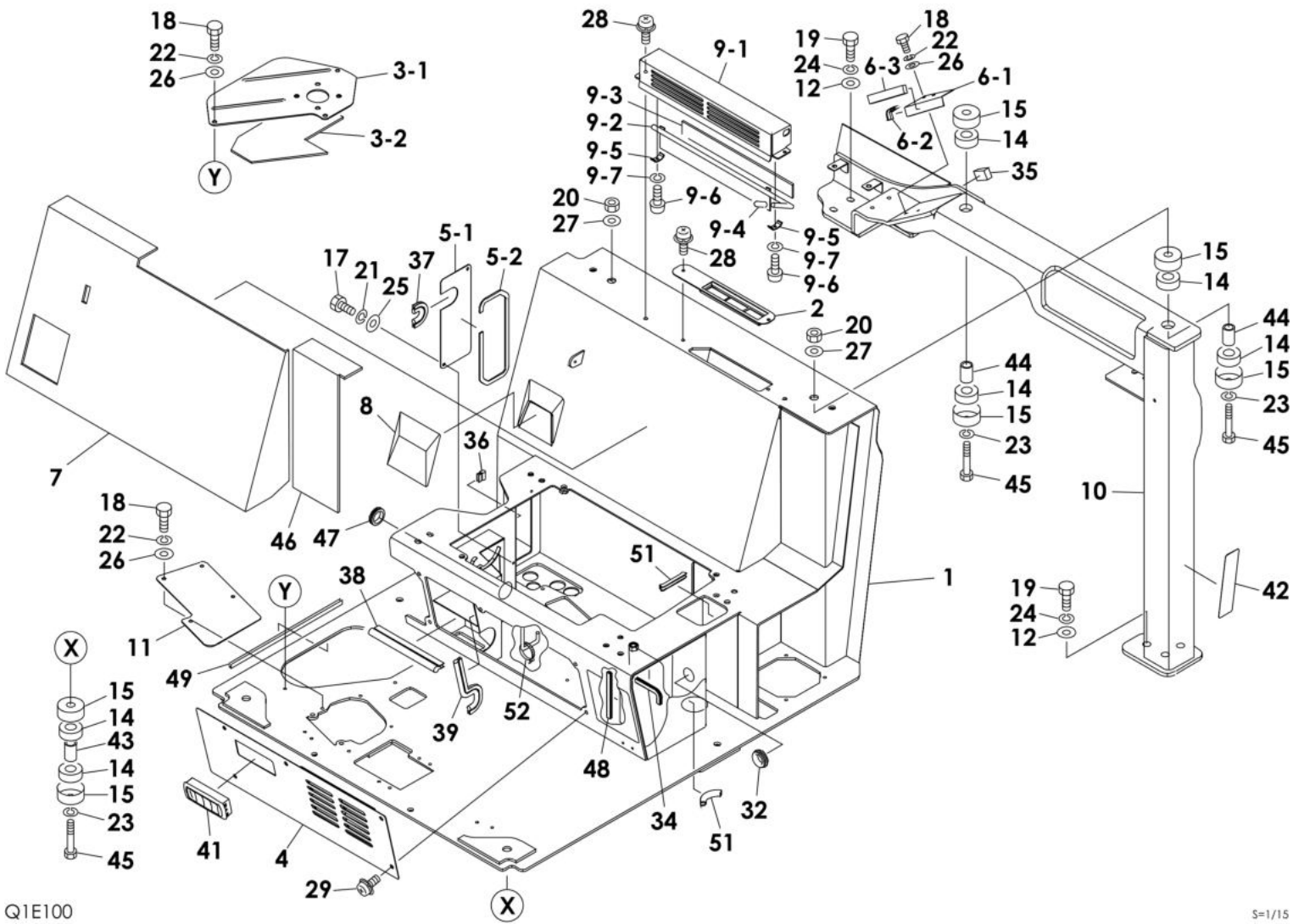


Q0E030

S=1/13

Item	Part No.	Name	Qty	Uom	Remarks	SERIAL NUMBER
0-2	0558200040	COVER ASSY, side	1	EA		
1	0558200078	COVER	1	EA		
2	0558200025	NET	1	EA		
3	0558200081	NET	1	EA		
4	0558200008	ABSORBENT, noise	1	EA		
5	0558200039	ABSORBENT, noise	1	EA		
6	0558200041	ABSORBENT, noise	1	EA		
7	0558200042	ABSORBENT, noise	1	EA		
8	0558200044	ABSORBENT, noise	1	EA		
9	0558200045	ABSORBENT, noise	1	EA		
10	0558200084	ABSORBENT, noise	1	EA		
11	0568268180	LOCK	1	EA		
12	0872433150	TUBE	6	EA		
13	1100050825	BOLT (10TM8 X 25 P/1.25)	1	EA		
14	1100051025	BOLT (10TM10 X 25 P/1.5)	2	EA		
15	1130040006	NUT	6	EA		
16	1140020006	WASHER, spring	7	EA		
17	1140020008	WASHER, spring	1	EA		
18	1140020010	WASHER, spring	2	EA		
19	1141110006	WASHER	6	EA		
20	1141110008	WASHER	1	EA		
21	1141110010	WASHER, plain	2	EA		
22	1654605185	RUBBER	1	EA	sold by the meter	
23	1703006200	LAMP ASSY	1	EA		
23-1	1703002706	BULB	1	EA		

COVER & CAB FLOOR FRAME (1/2) (cab) (126100003-126100081)



Q1E100

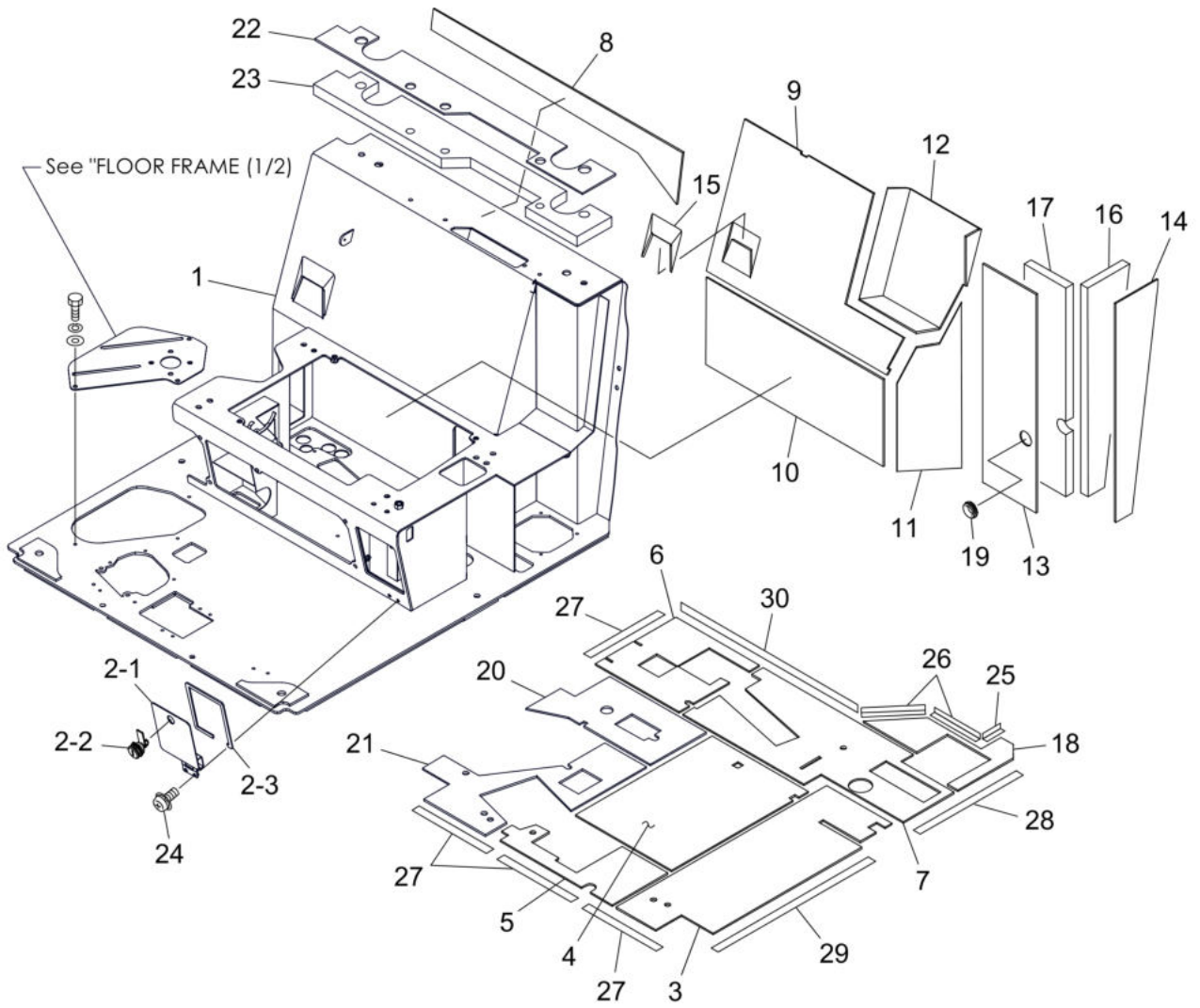
S=1/15

Item	Part No.	Name	Qty	Uom	Remarks	SERIAL NUMBER
-	PNNA	FLOOR ASSY		EA		
1	*****	FRAME ASSY	1	EA	see page (2/2)	
2	0553500149	BRACKET	1	EA		
3	*****	COVER ASSY	1	EA		
3-1	0553500118	COVER	1	EA		
3-2	0553500133	INSULATOR	1	EA		
4	0553500158	COVER	1	EA		
5	*****	PLATE ASSY	1	EA		
5-1	0553500197	PLATE	1	EA		
5-2	0553500198	SPONGE	1	EA		
6	*****	PLATE ASSY	1	EA		
6-1	0553500203	PLATE	1	EA		
6-2	1654606000	SEAL (SOLD BY THE METER)	1	EA	sold by the meter	
6-3	1654343015	SPONGE	1	EA	sold by the meter	
7	0553500227	INSULATOR	1	EA		
8	0553500228	INSULATOR	1	EA		
9	*****	BOX ASSY	1	EA		
9-1	0553500315	BOX	1	EA		
9-2	0553500273	LEVER	1	EA		
9-3	0553500276	SPONGE	1	EA		
9-4	0374508140	GRIP	1	EA		
9-5	0374508155	PLATE	2	EA		
9-6	1150420520	BOLT, sems	2	EA		
9-7	1140020005	WASHER, spring	2	EA		
10	0553500238	BRACKET	1	EA		
11	0553503004	PLATE	1	EA		
12	0003600026	WASHER	5	EA		
14	0433503100	RUBBER	8	EA		
15	0433503200	COVER	8	EA		
17	1100050616	BOLT (10TM6 X 16 P/1.0)	2	EA		
18	1100090816	BOLT	9	EA		
19	1101051230	BOLT (10TM12 X 30 P/1.5)	5	EA		
20	1130050016	NUT	2	EA		
21	1140020006	WASHER, spring	2	EA		
22	1140020008	WASHER, spring	9	EA		
23	1140020016	WASHER, spring	4	EA		
24	1140020012	WASHER, spring (12MM)	5	EA		
25	1141110006	WASHER	2	EA		

This page intentionally left blank

Item	Part No.	Name	Qty	Uom	Remarks	SERIAL NUMBER
26	1141110008	WASHER	9	EA		
27	1141110016	WASHER	2	EA		
28	1150420616	SCREW, sems (polycarbonate type)	4	EA		
29	1150420816	SCREW, sems	5	EA		
32	1652053800	GROMMET	1	EA		
34	043623-000	SHELF ASM GLASS 42 FF	1	EA	sold by the meter	
34	1653916000	TRIM, rubber (SOLD BY THE METER)	1	EA	sold by the meter	
35	1654342005	SPONGE	1	EA	sold by the meter	
36	1654606004	SEAL	1	EA	sold by the meter	
37	1654606000	SEAL (SOLD BY THE METER)	1	EA	sold by the meter	
38	1654606000	SEAL (SOLD BY THE METER)	1	EA	sold by the meter	
39	1654606000	SEAL (SOLD BY THE METER)	1	EA	sold by the meter	
41	1911510001	LOUVER	1	EA		
42	0553500098	DECAL	1	EA		
43	0393517250	PIPE	2	EA		
44	0563517700	TUBE	2	EA		
45	1100041690	BOLT	4	EA		
46	0553500278	INSULATOR	1	EA		
47	1652060045	BUSHING	1	EA		
48	1654606000	SEAL (SOLD BY THE METER)	1	EA	sold by the meter	
49	1654625042	TRIM	1	EA	sold by the meter	
51	1654629008	TRIM	2	EA	sold by the meter	
52	0652201007	BAND	3	EA		

COVER & CAB FLOOR FRAME (2/2) (cab) (126100003-126100081)



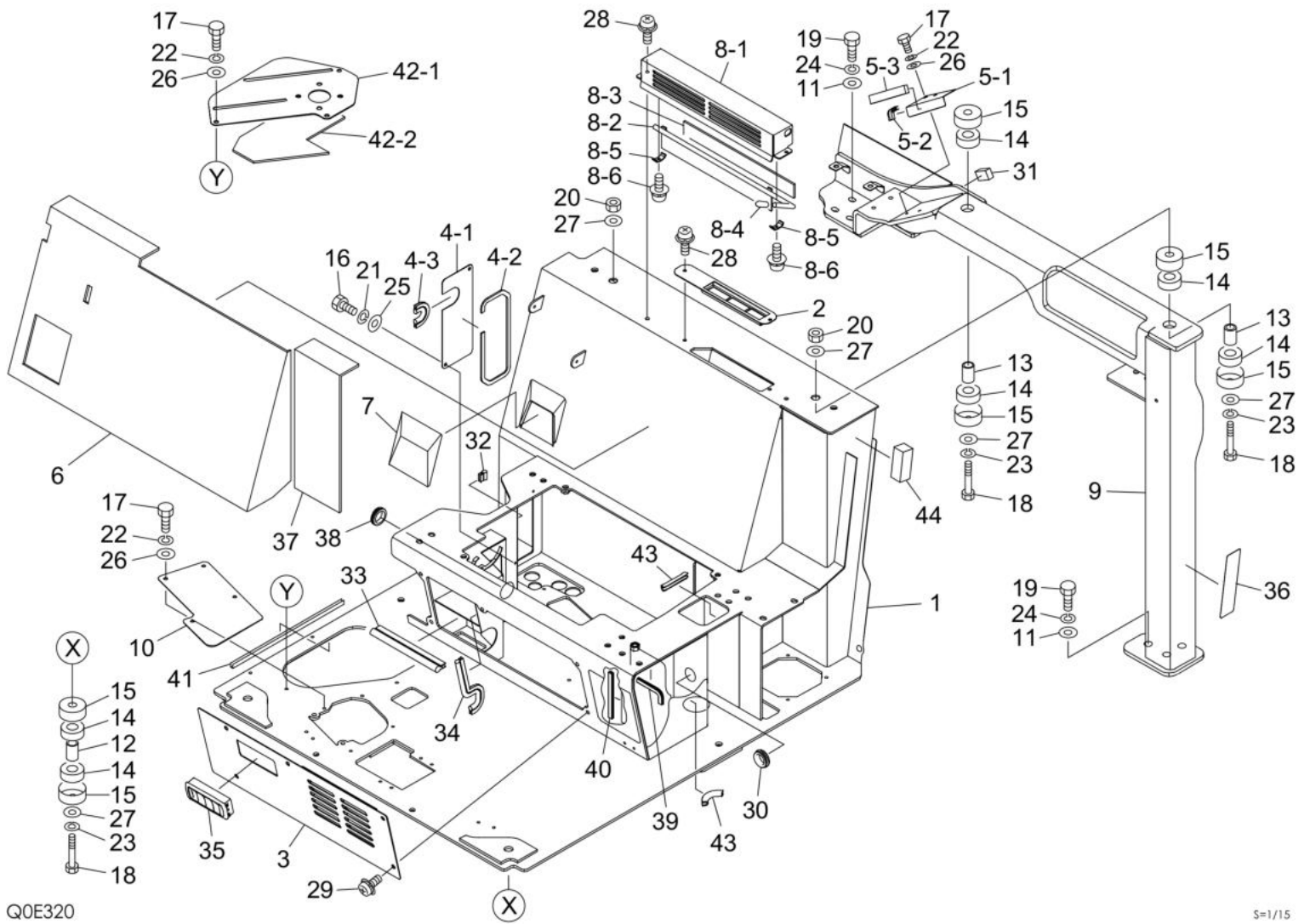
Q0E230

S=1/18

375
MACHINE MODEL: TB260

Item	Part No.	Name	Qty	Uom	Remarks	SERIAL NUMBER
0	*****	FRAME ASSY	1	EA		
1	0553500281	FRAME	1	EA	old 0553500281" is interchangeable with "new 0553500326".	
2	*****	COVER ASSY	1	EA		
2-1	0553500302	COVER	1	EA		
2-2	1653611836	LOCK	1	EA		
2-3	0553500314	SPONGE	1	EA		
3	0553500178	INSULATOR	1	EA		
4	0553500179	INSULATOR	1	EA		
5	0553500180	INSULATOR	1	EA		
6	0553500182	INSULATOR	1	EA		
7	0553500183	INSULATOR	1	EA		
8	0553500184	INSULATOR	1	EA		
9	0553500185	INSULATOR	1	EA		
10	0553500186	INSULATOR	1	EA		
11	0553500187	INSULATOR	1	EA		
12	0553500188	INSULATOR	1	EA		
13	0553500191	INSULATOR	1	EA		
14	0553500192	INSULATOR	1	EA		
15	0553500193	INSULATOR	1	EA		
16	0553500194	ABSORBENT, noise	1	EA		
17	0553500195	ABSORBENT, noise	1	EA		
18	0553500199	INSULATOR	1	EA		
19	1652052800	GROMMET	1	EA		
20	0553500129	INSULATOR	1	EA		
21	0553500131	INSULATOR	1	EA		
22	0553500136	INSULATOR	1	EA		
23	0553500138	ABSORBENT, noise	1	EA		
24	1150420620	SCREW	2	EA		
25	1654401006	TAPE	1	EA	sold by the meter	
26	1654401016	TAPE	2	EA	sold by the meter	
27	1654401024	TAPE	4	EA	sold by the meter	
28	1654401036	TAPE	1	EA	sold by the meter	
29	1654401055	TAPE	1	EA	sold by the meter	
30	1654401062	TAPE	1	EA	sold by the meter	

COVER & CAB FLOOR FRAME (1/2) (cab) (126100082-)

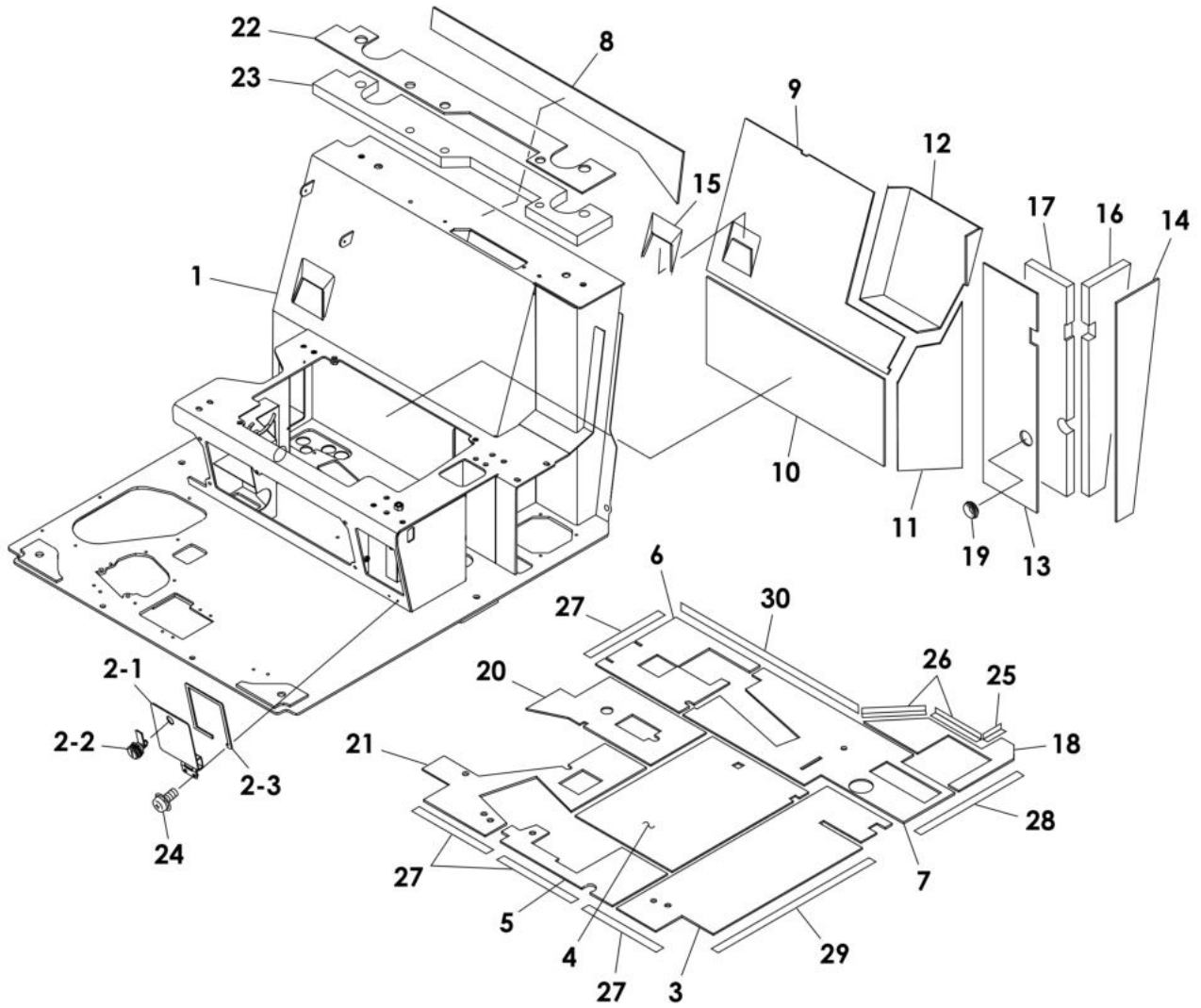


Item	Part No.	Name	Qty	Uom	Remarks	SERIAL NUMBER
-	PNNA	FRAME ASSY, floor		EA		
1	*****	FRAME ASSY	1	EA	see page (2/2)	
2	0553500149	BRACKET	1	EA		
3	0553500158	COVER	1	EA		
4	*****	PLATE ASSY	1	EA		
4-1	0553500197	PLATE	1	EA		
4-2	0553500198	SPONGE	1	EA		
4-3	1654606000	SEAL (SOLD BY THE METER)	1	EA	sold by the meter	
5	*****	PLATE ASSY	1	EA		
5-1	0553500203	PLATE	1	EA		
5-2	1654606000	SEAL (SOLD BY THE METER)	1	EA	sold by the meter	
5-3	1654343015	SPONGE	1	EA	sold by the meter	
6	0553500227	INSULATOR	1	EA		
7	0553500228	INSULATOR	1	EA		
8	*****	BOX ASSY	1	EA		
8-1	0553500315	BOX	1	EA		
8-2	0553500273	LEVER	1	EA		
8-3	0553500276	SPONGE	1	EA		
8-4	0374508140	GRIP	1	EA		
8-5	0374508155	PLATE	2	EA		
8-6	1150420520	BOLT, sems	2	EA		
9	0553500319	BRACKET	1	EA		
10	0553503004	PLATE	1	EA		
11	0003600026	WASHER	6	EA		
12	0393517250	PIPE	2	EA		
13	0563517700	TUBE	2	EA		
14	0433503100	RUBBER	8	EA		
15	0433503200	COVER	8	EA		
16	1100050616	BOLT (10TM6 X 16 P/1.0)	2	EA		
17	1100090816	BOLT	9	EA		
18	1100041690	BOLT	4	EA		
19	1101051230	BOLT (10TM12 X 30 P/1.5)	6	EA		
20	1130050016	NUT	2	EA		
21	1140020006	WASHER, spring	2	EA		
22	1140020008	WASHER, spring	9	EA		
23	1140020016	WASHER, spring	4	EA		
24	1140020012	WASHER, spring (12MM)	6	EA		
25	1141110006	WASHER	2	EA		

This page intentionally left blank

Item	Part No.	Name	Qty	Uom	Remarks	SERIAL NUMBER
26	1141110008	WASHER	9	EA		
27	1141550016	WASHER (HEAT M16)	6	EA		
28	1150420616	SCREW, sems (polycarbonate type)	4	EA		
29	1150420816	SCREW, sems	5	EA		
30	1652053800	GROMMET	1	EA		
31	1654342005	SPONGE	1	EA	sold by the meter	
32	1654606004	SEAL	1	EA	sold by the meter	
33	1654606000	SEAL (SOLD BY THE METER)	1	EA	sold by the meter	
34	1654606000	SEAL (SOLD BY THE METER)	1	EA	sold by the meter	
35	1911510001	LOUVER	1	EA		
36	0553500098	DECAL	1	EA		
37	0553500278	INSULATOR	1	EA		
38	1652060045	BUSHING	1	EA		
39	043623-000	SHELF ASM GLASS 42 FF	1	EA	sold by the meter	
39	1653916000	TRIM, rubber (SOLD BY THE METER)	1	EA	sold by the meter	
40	1654606000	SEAL (SOLD BY THE METER)	1	EA	sold by the meter	
41	1654625042	TRIM	1	EA	sold by the meter	
42	*****	COVER ASSY	1	EA		
42-1	0553500118	COVER	1	EA		
42-2	0553500133	INSULATOR	1	EA		
43	1654629008	TRIM	2	EA	sold by the meter	
44	1654341008	SPONGE	1	EA	sold by the meter	

COVER & CAB FLOOR FRAME (2/2) (cab) (126100082-)

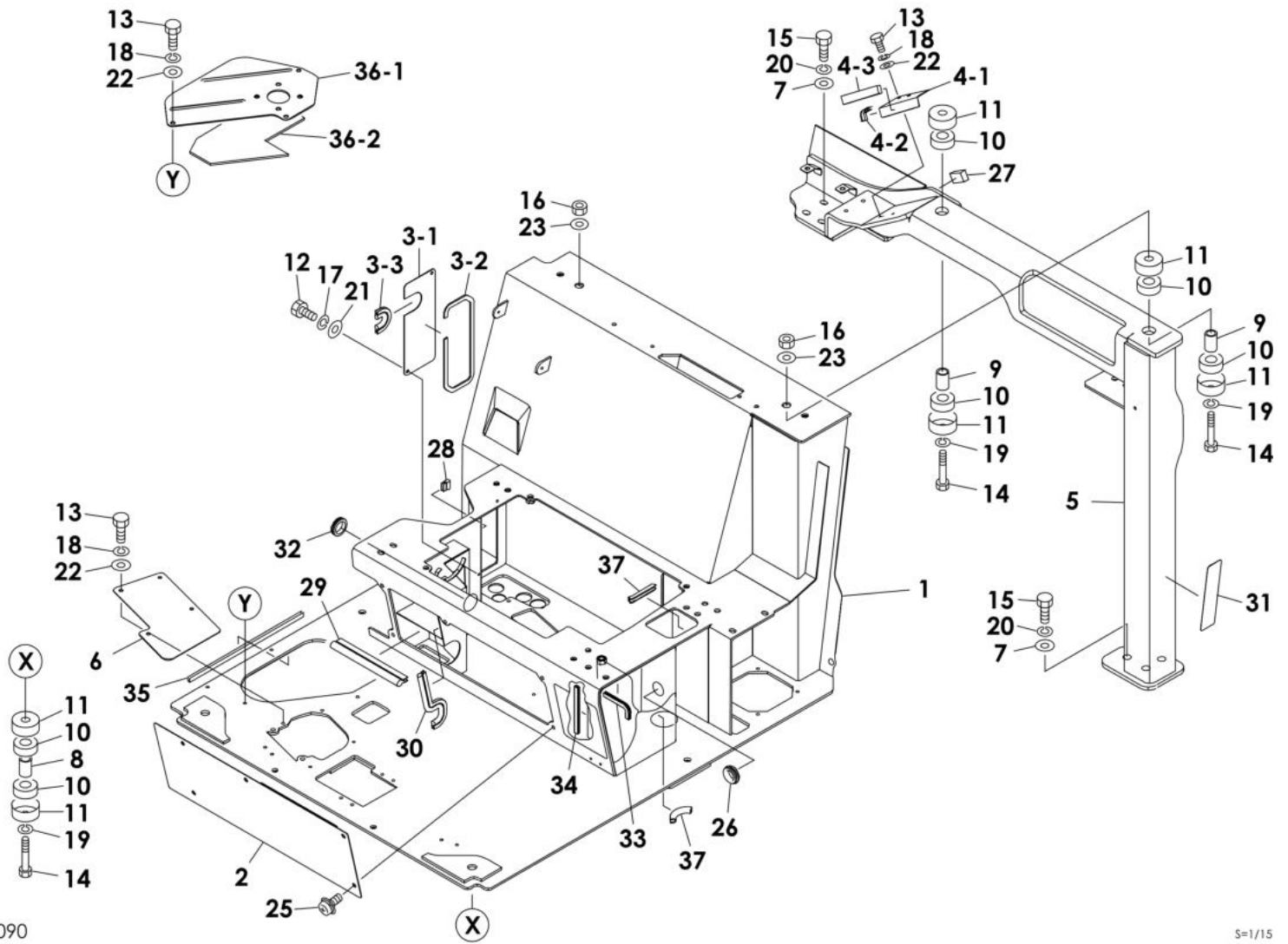


Q1E080

S=1/18

Item	Part No.	Name	Qty	Uom	Remarks	SERIAL NUMBER
0	*****	FRAME ASSY	1	EA		
1	0553500326	FRAME	1	EA		
2	*****	COVER ASSY	1	EA		
2-1	0553500302	COVER	1	EA		
2-2	1653611836	LOCK	1	EA		
2-3	0553500314	SPONGE	1	EA		
3	0553500178	INSULATOR	1	EA		
4	0553500179	INSULATOR	1	EA		
5	0553500180	INSULATOR	1	EA		
6	0553500182	INSULATOR	1	EA		
7	0553500183	INSULATOR	1	EA		
8	0553500184	INSULATOR	1	EA		
9	0553500185	INSULATOR	1	EA		
10	0553500186	INSULATOR	1	EA		
11	0553500187	INSULATOR	1	EA		
12	0553500188	INSULATOR	1	EA		
13	0553500191	INSULATOR	1	EA		
14	0553500192	INSULATOR	1	EA		
15	0553500193	INSULATOR	1	EA		
16	0553500194	ABSORBENT, noise	1	EA		
17	0553500195	ABSORBENT, noise	1	EA		
18	0553500199	INSULATOR	1	EA		
19	1652052800	GROMMET	1	EA		
20	0553500129	INSULATOR	1	EA		
21	0553500131	INSULATOR	1	EA		
22	0553500136	INSULATOR	1	EA		
23	0553500138	ABSORBENT, noise	1	EA		
24	1150420620	SCREW	2	EA		
25	1654401006	TAPE	1	EA	sold by the meter	
26	1654401016	TAPE	2	EA	sold by the meter	
27	1654401024	TAPE	4	EA	sold by the meter	
28	1654401036	TAPE	1	EA	sold by the meter	
29	1654401055	TAPE	1	EA	sold by the meter	
30	1654401062	TAPE	1	EA	sold by the meter	

COVER & CAB FLOOR FRAME (1/2) (canopy) (126100003-126100097)



Q1E090

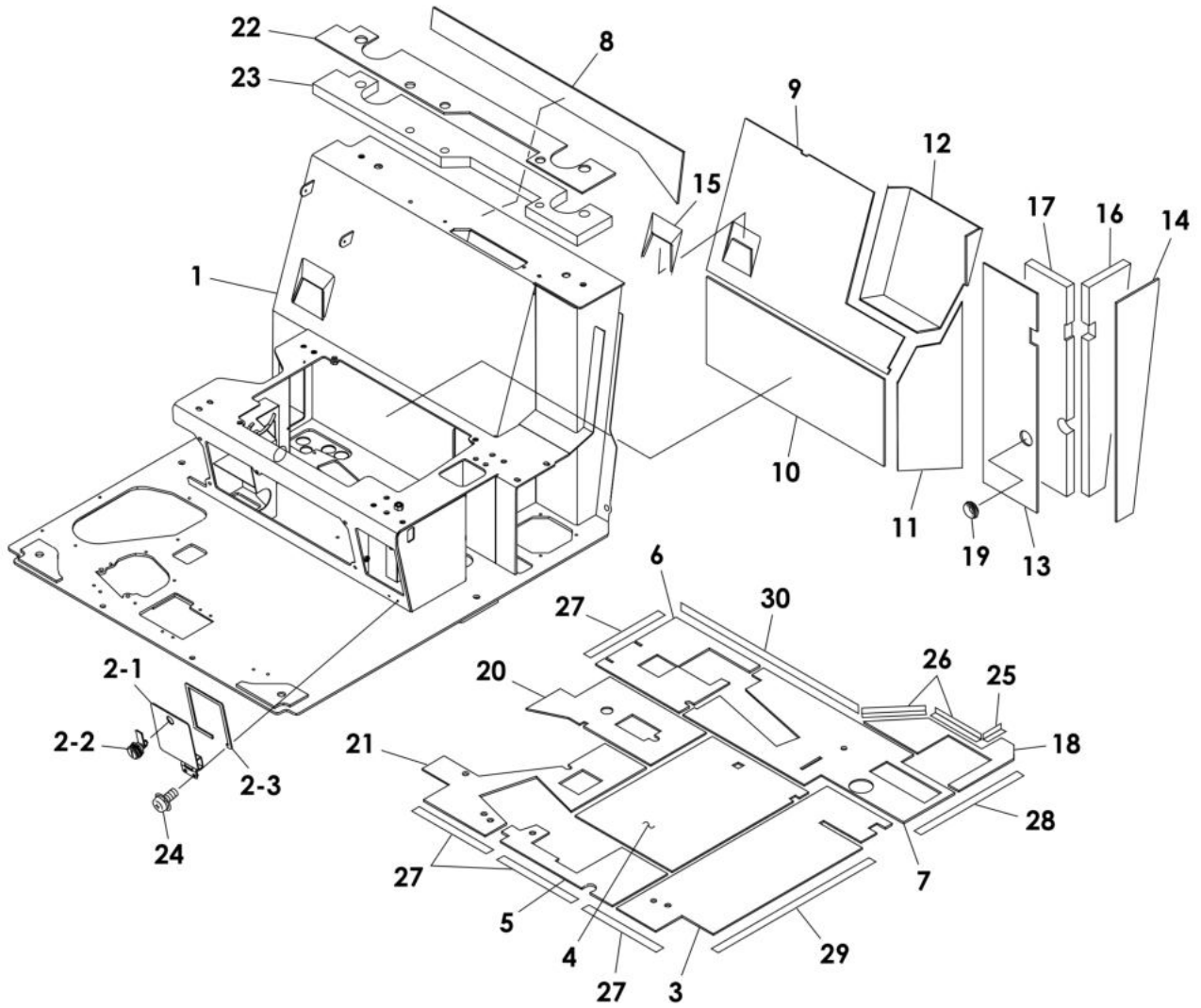
S=1/15

Item	Part No.	Name	Qty	Uom	Remarks	SERIAL NUMBER
-	0553500345	FRAME ASSY, floor		EA		
1	*****	UNIT ASSY, relay	1	EA		
2	0553500346	COVER	1	EA		
3	*****	UNIT ASSY, relay	1	EA		
3-1	0553500197	PLATE	1	EA		
3-2	0553500198	SPONGE	1	EA		
3-3	1654606000	SEAL (SOLD BY THE METER)	1	EA	sold by the meter	
4	*****	UNIT ASSY, relay	1	EA		
4-1	0553500203	PLATE	1	EA		
4-2	1654606000	SEAL (SOLD BY THE METER)	1	EA	sold by the meter	
4-3	1654343015	SPONGE	1	EA		
5	0553500319	BRACKET	1	EA		
6	0553503004	PLATE	1	EA		
7	0003600026	WASHER	6	EA		
8	0393517250	PIPE	2	EA		
9	0563517700	TUBE	2	EA		
10	0433503100	RUBBER	8	EA		
11	0433503200	COVER	8	EA		
12	1100050616	BOLT (10TM6 X 16 P/1.0)	2	EA		
13	1100090816	BOLT	9	EA		
14	1100141600	BOLT, hex (M16X100X2.0MM 10.9)	4	EA		
15	1101051230	BOLT (10TM12 X 30 P/1.5)	6	EA		
16	1130050016	NUT	2	EA		
17	1140020006	WASHER, spring	2	EA		
18	1140020008	WASHER, spring	9	EA		
19	1140020016	WASHER, spring	4	EA		
20	1140020012	WASHER, spring (12MM)	6	EA		
21	1141110006	WASHER	2	EA		
22	1141110008	WASHER	9	EA		
23	1141110016	WASHER	2	EA		
25	1150420816	SCREW, sems	5	EA		
26	1652053800	GROMMET	1	EA		
27	1654342005	SPONGE	1	EA		
28	1654606004	SEAL	1	EA		
29	1654606000	SEAL (SOLD BY THE METER)	1	EA	sold by the meter	
30	1654606000	SEAL (SOLD BY THE METER)	1	EA	sold by the meter	
31	0553500098	DECAL	1	EA		
32	1652060045	BUSHING	1	EA		

This page intentionally left blank

Item	Part No.	Name	Qty	Uom	Remarks	SERIAL NUMBER
33	043623-000	SHELF ASM GLASS 42 FF	1	EA		
33	1653916000	TRIM, rubber (SOLD BY THE METER)	1	EA		
34	1654606000	SEAL (SOLD BY THE METER)	1	EA	sold by the meter	
35	1654625042	TRIM	1	EA		
36	0553500135	COVER ASSY	1	EA		
36-1	0553500118	COVER	1	EA		
36-2	0553500133	INSULATOR	1	EA		
37	1654629008	TRIM	2	EA		

COVER & CAB FLOOR FRAME (2/2) (canopy) (126100003-126100097)

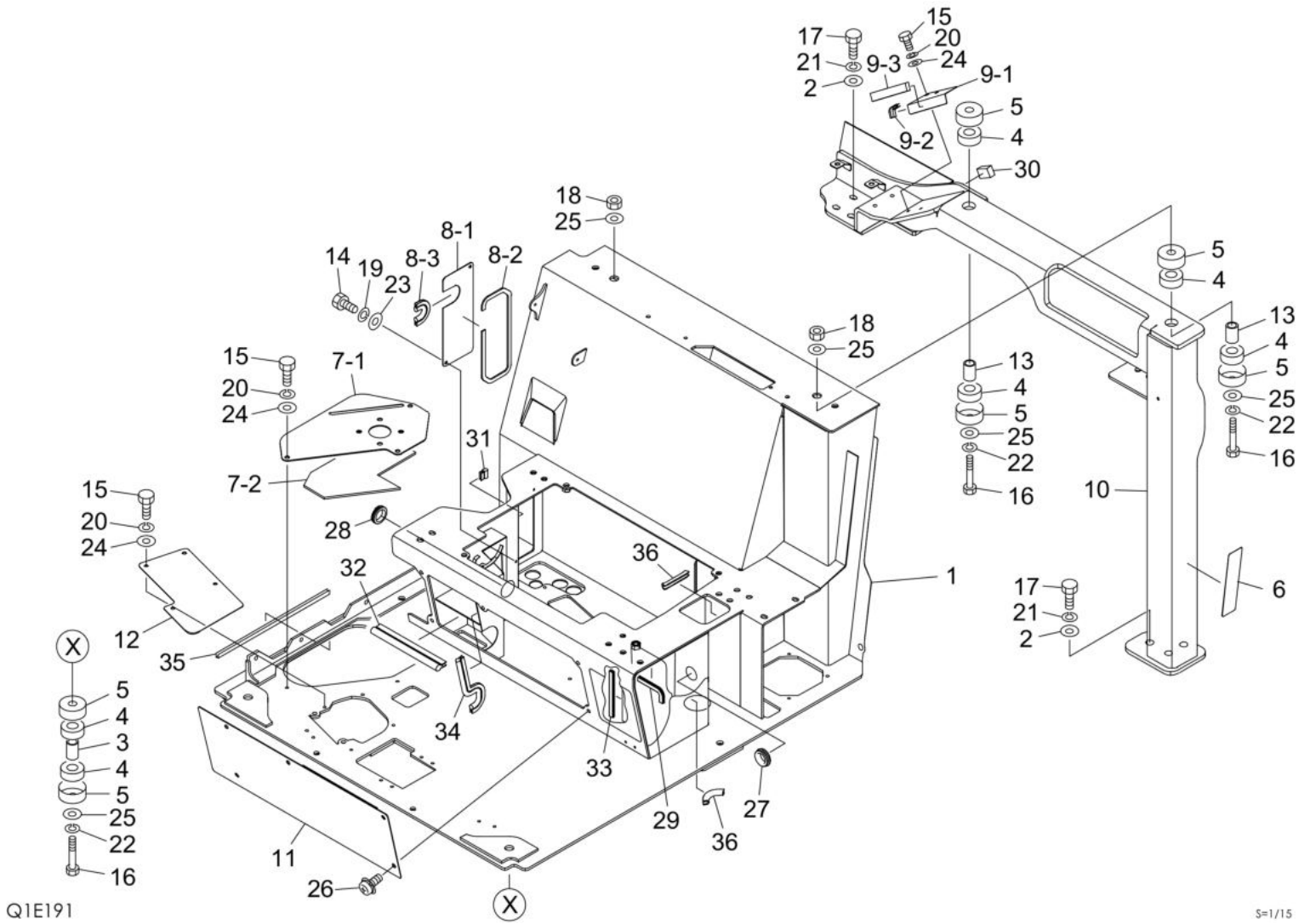


Q1E080

S=1/18

Item	Part No.	Name	Qty	Uom	Remarks	SERIAL NUMBER
0	*****	FRAME ASSY	1	EA		
1	0553500326	FRAME	1	EA		
2	*****	COVER ASSY	1	EA		
2-1	0553500302	COVER	1	EA		
2-2	1653611836	LOCK	1	EA		
2-3	0553500314	SPONGE	1	EA		
3	0553500178	INSULATOR	1	EA		
4	0553500179	INSULATOR	1	EA		
5	0553500180	INSULATOR	1	EA		
6	0553500182	INSULATOR	1	EA		
7	0553500183	INSULATOR	1	EA		
8	0553500184	INSULATOR	1	EA		
9	0553500185	INSULATOR	1	EA		
10	0553500186	INSULATOR	1	EA		
11	0553500187	INSULATOR	1	EA		
12	0553500188	INSULATOR	1	EA		
13	0553500191	INSULATOR	1	EA		
14	0553500192	INSULATOR	1	EA		
15	0553500193	INSULATOR	1	EA		
16	0553500194	ABSORBENT, noise	1	EA		
17	0553500195	ABSORBENT, noise	1	EA		
18	0553500199	INSULATOR	1	EA		
19	1652052800	GROMMET	1	EA		
20	0553500129	INSULATOR	1	EA		
21	0553500131	INSULATOR	1	EA		
22	0553500136	INSULATOR	1	EA		
23	0553500138	ABSORBENT, noise	1	EA		
24	1150420620	SCREW	2	EA		
25	1654401006	TAPE	1	EA	sold by the meter	
26	1654401016	TAPE	2	EA	sold by the meter	
27	1654401024	TAPE	4	EA	sold by the meter	
28	1654401036	TAPE	1	EA	sold by the meter	
29	1654401055	TAPE	1	EA	sold by the meter	
30	1654401062	TAPE	1	EA	sold by the meter	

COVER & CAB FLOOR FRAME (1/2) (canopy) (126100098-)



Q1E191

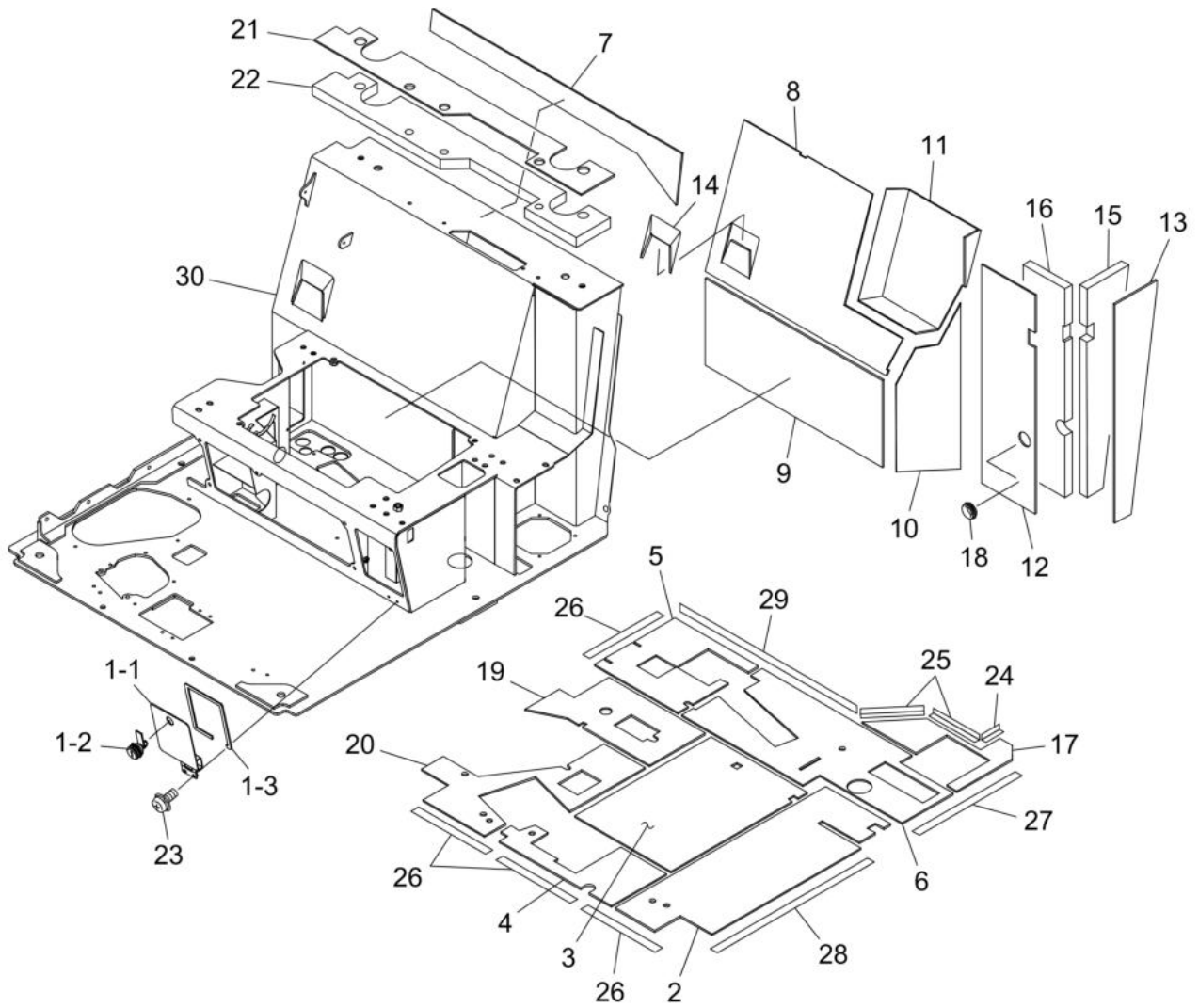
S=1/15

Item	Part No.	Name	Qty	Uom	Remarks	SERIAL NUMBER
-	PNNA	FRAME ASSY, floor		EA		
1	*****	FRAME ASSY	1	EA	see page (2/2)	
2	0003600026	WASHER	6	EA		
3	0393517250	PIPE	2	EA		
4	0433503100	RUBBER	8	EA		
5	0433503200	COVER	8	EA		
6	0553500098	DECAL	1	EA		
7	*****	null		EA		
7-1	0553500374	COVER	1	EA		
7-2	0553500133	INSULATOR	1	EA		
8	*****	null	1	EA		
8-1	0553500197	PLATE	1	EA		
8-2	0553500198	SPONGE	1	EA		
8-3	1654606000	SEAL (SOLD BY THE METER)	1	EA	sold by the meter	
9	*****	null	1	EA		
9-1	0553500203	PLATE	1	EA		
9-2	1654606000	SEAL (SOLD BY THE METER)	1	EA	sold by the meter	
9-3	1654343015	SPONGE	1	EA	sold by the meter	
10	0553500357	BRACKET	1	EA		
11	0553500346	COVER	1	EA		126100098~126101301
11	0553500387	PLATE	1	EA		126101302~
12	0553503004	PLATE	1	EA		
13	0563517700	TUBE	2	EA		
14	1100050616	BOLT (10TM6 X 16 P/1.0)	2	EA		
15	1100090816	BOLT	9	EA		
16	1100141600	BOLT, hex (M16X100X2.0MM 10.9)	4	EA		
17	1101051230	BOLT (10TM12 X 30 P/1.5)	6	EA		
18	1130050016	NUT	2	EA		
19	1140020006	WASHER, spring	2	EA		
20	1140020008	WASHER, spring	9	EA		
21	1140020012	WASHER, spring (12MM)	6	EA		
22	1140020016	WASHER, spring	4	EA		
23	1141110006	WASHER	2	EA		
24	1141110008	WASHER	9	EA		
25	1141550016	WASHER (HEAT M16)	6	EA		
26	1150420816	SCREW, sems	5	EA		
27	1652053800	GROMMET	1	EA		
28	1652060045	BUSHING	1	EA		

This page intentionally left blank

Item	Part No.	Name	Qty	Uom	Remarks	SERIAL NUMBER
29	043623-000	SHELF ASM GLASS 42 FF	1	EA	sold by the meter	
29	1653916000	TRIM, rubber (SOLD BY THE METER)	1	EA	sold by the meter	
30	1654342005	SPONGE	1	EA	sold by the meter	
31	1654606004	SEAL	1	EA	sold by the meter	
32	1654606000	SEAL (SOLD BY THE METER)	1	EA	sold by the meter	
33	1654606000	SEAL (SOLD BY THE METER)	1	EA	sold by the meter	
34	1654606000	SEAL (SOLD BY THE METER)	1	EA	sold by the meter	
35	1654625042	TRIM	1	EA	sold by the meter	
36	1654629008	TRIM	2	EA	sold by the meter	

COVER & CAB FLOOR FRAME (2/2) (canopy) (126100098-)

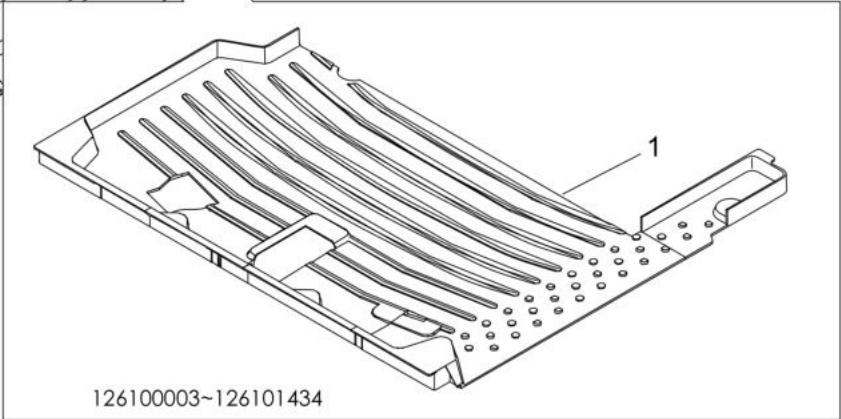
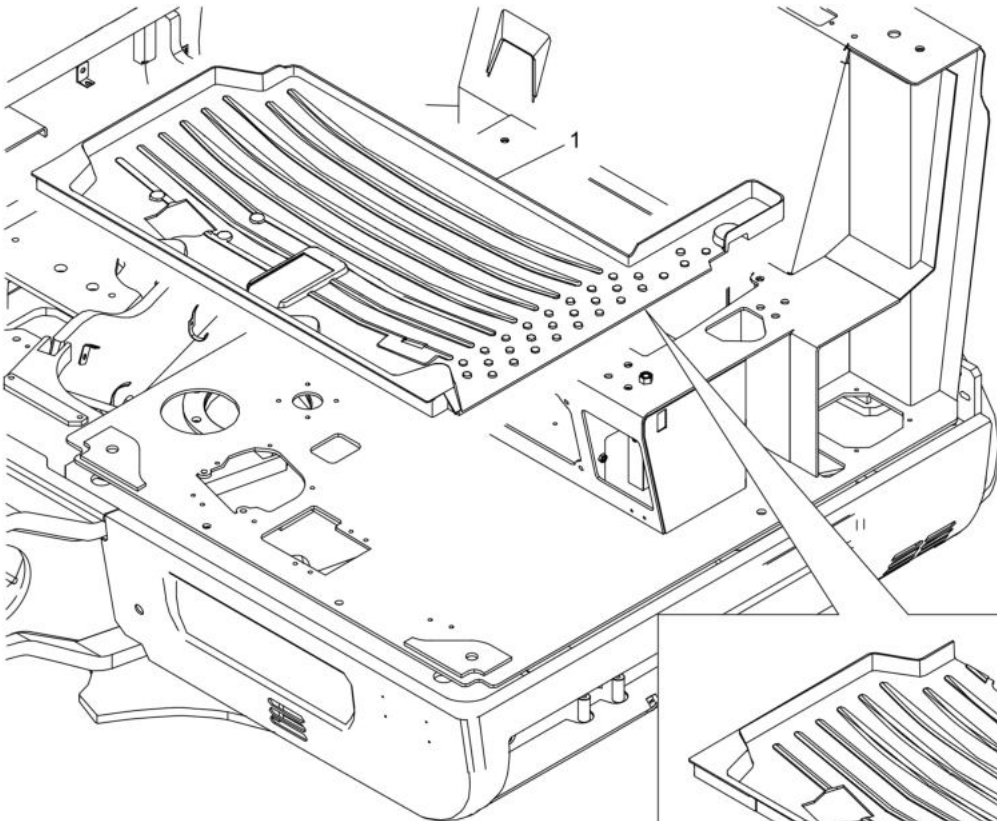


Q1E200

S=1/18

Item	Part No.	Name	Qty	Uom	Remarks	SERIAL NUMBER
0	*****	FRAME ASSY	1	EA		
1	*****	COVER ASSY	1	EA		
1-1	0553500302	COVER	1	EA		
1-2	1653611836	LOCK	1	EA		
1-3	0553500314	SPONGE	1	EA		
2	0553500178	INSULATOR	1	EA		
3	0553500179	INSULATOR	1	EA		
4	0553500180	INSULATOR	1	EA		
5	0553500182	INSULATOR	1	EA		
6	0553500183	INSULATOR	1	EA		
7	0553500184	INSULATOR	1	EA		
8	0553500185	INSULATOR	1	EA		
9	0553500186	INSULATOR	1	EA		
10	0553500187	INSULATOR	1	EA		
11	0553500188	INSULATOR	1	EA		
12	0553500191	INSULATOR	1	EA		
13	0553500192	INSULATOR	1	EA		
14	0553500193	INSULATOR	1	EA		
15	0553500194	ABSORBENT, noise	1	EA		
16	0553500195	ABSORBENT, noise	1	EA		
17	0553500199	INSULATOR	1	EA		
18	1652052800	GROMMET	1	EA		
19	0553500129	INSULATOR	1	EA		
20	0553500131	INSULATOR	1	EA		
21	0553500136	INSULATOR	1	EA		
22	0553500138	ABSORBENT, noise	1	EA		
23	1150420620	SCREW	2	EA		
24	1654401006	TAPE	1	EA	sold by the meter	
25	1654401016	TAPE	2	EA	sold by the meter	
26	1654401024	TAPE	4	EA	sold by the meter	
27	1654401036	TAPE	1	EA	sold by the meter	
28	1654401055	TAPE	1	EA	sold by the meter	
29	1654401062	TAPE	1	EA	sold by the meter	
30	0553500362	FRAME	1	EA		

COVER & CAB FLOOR MAT (cab)

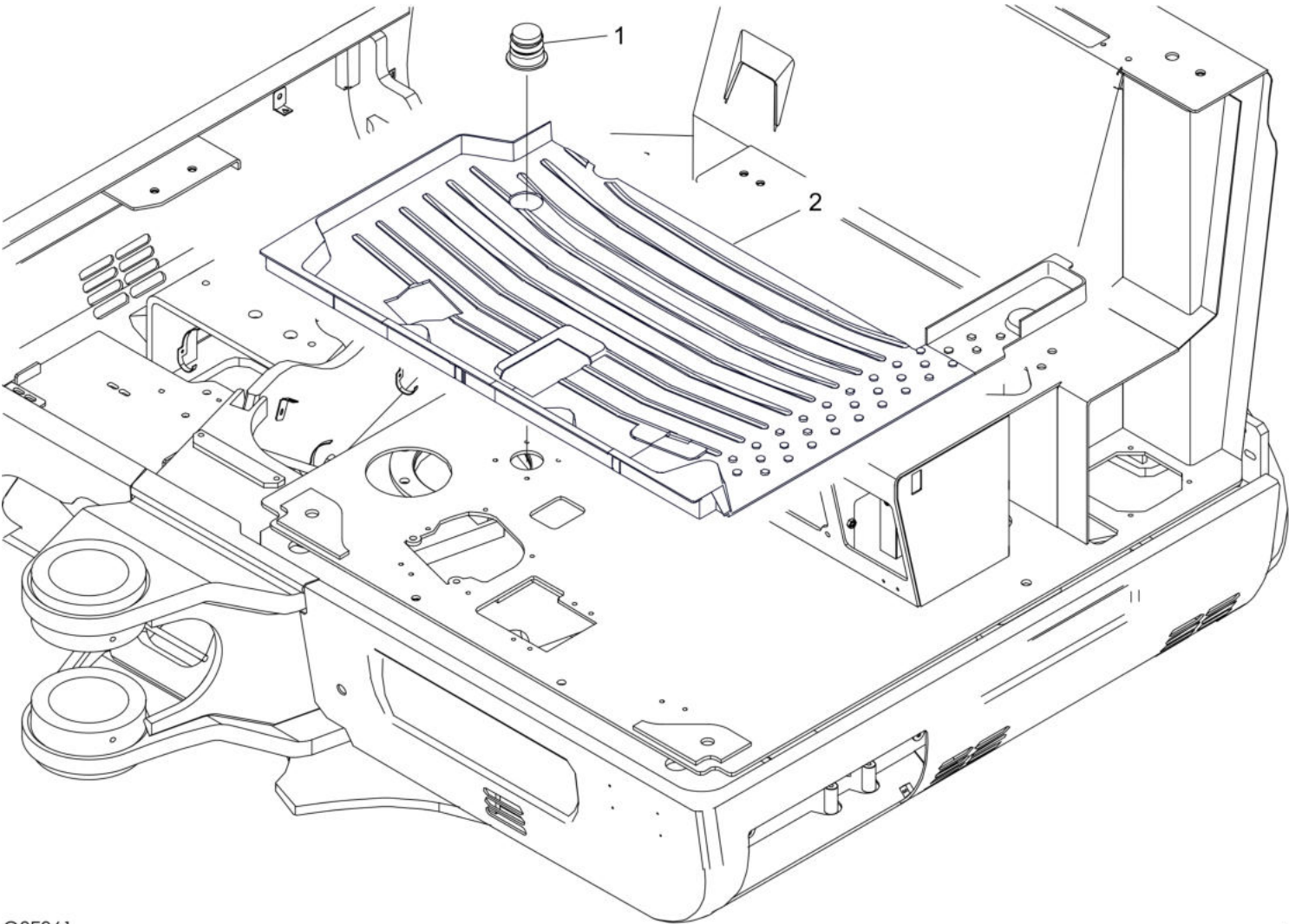


Q1E160

S=1/12

Item	Part No.	Name	Qty	Uom	Remarks	SERIAL NUMBER
-	PNNA	MAT ASSY, floor		EA		
1	0553500279	MAT, floor	1	EA		
1	0353500203	MAT ASSY, floor	1	EA		

COVER & CAB FLOOR MAT (cab) (with foot switch)

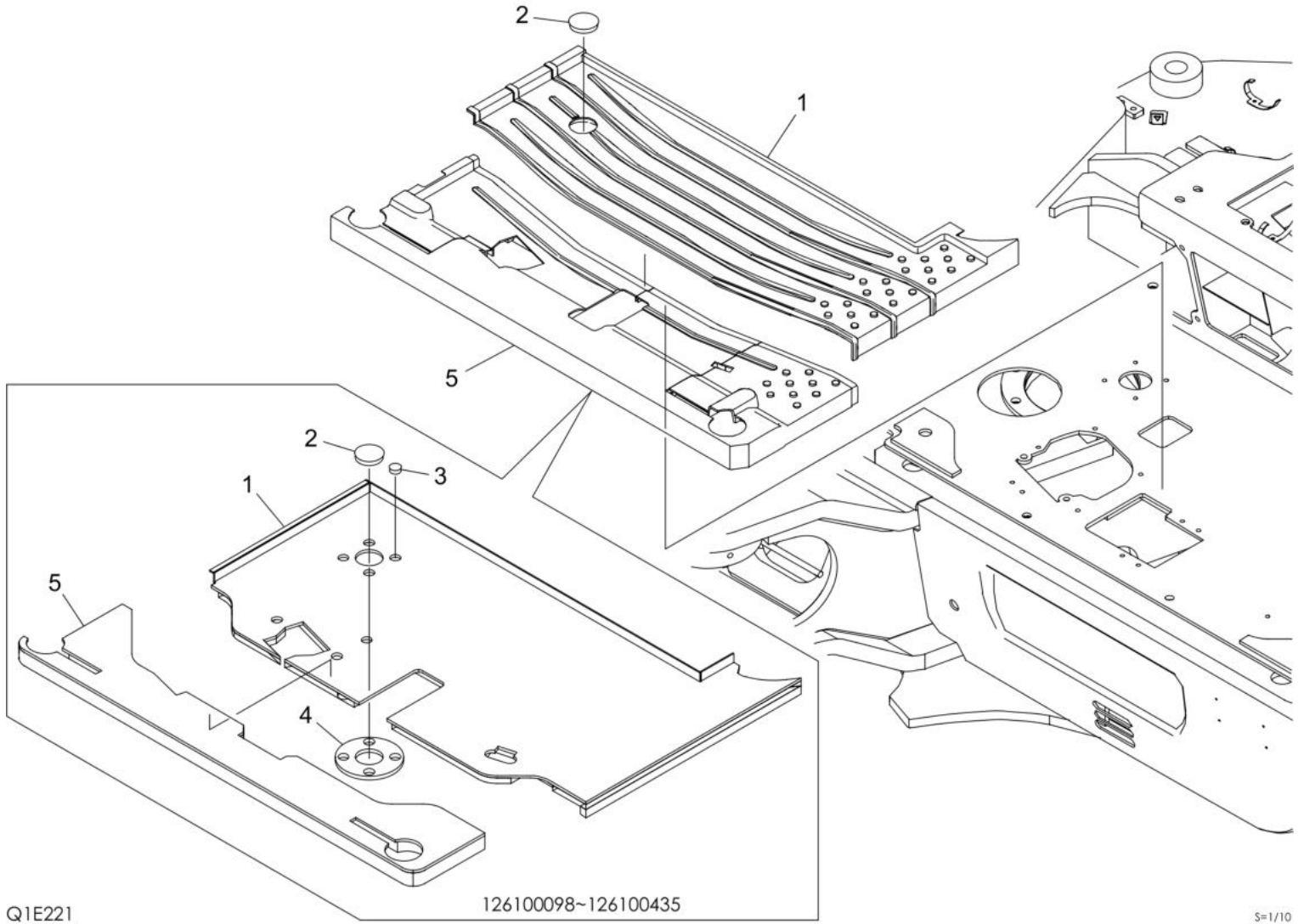


Q0E061

S=1/10

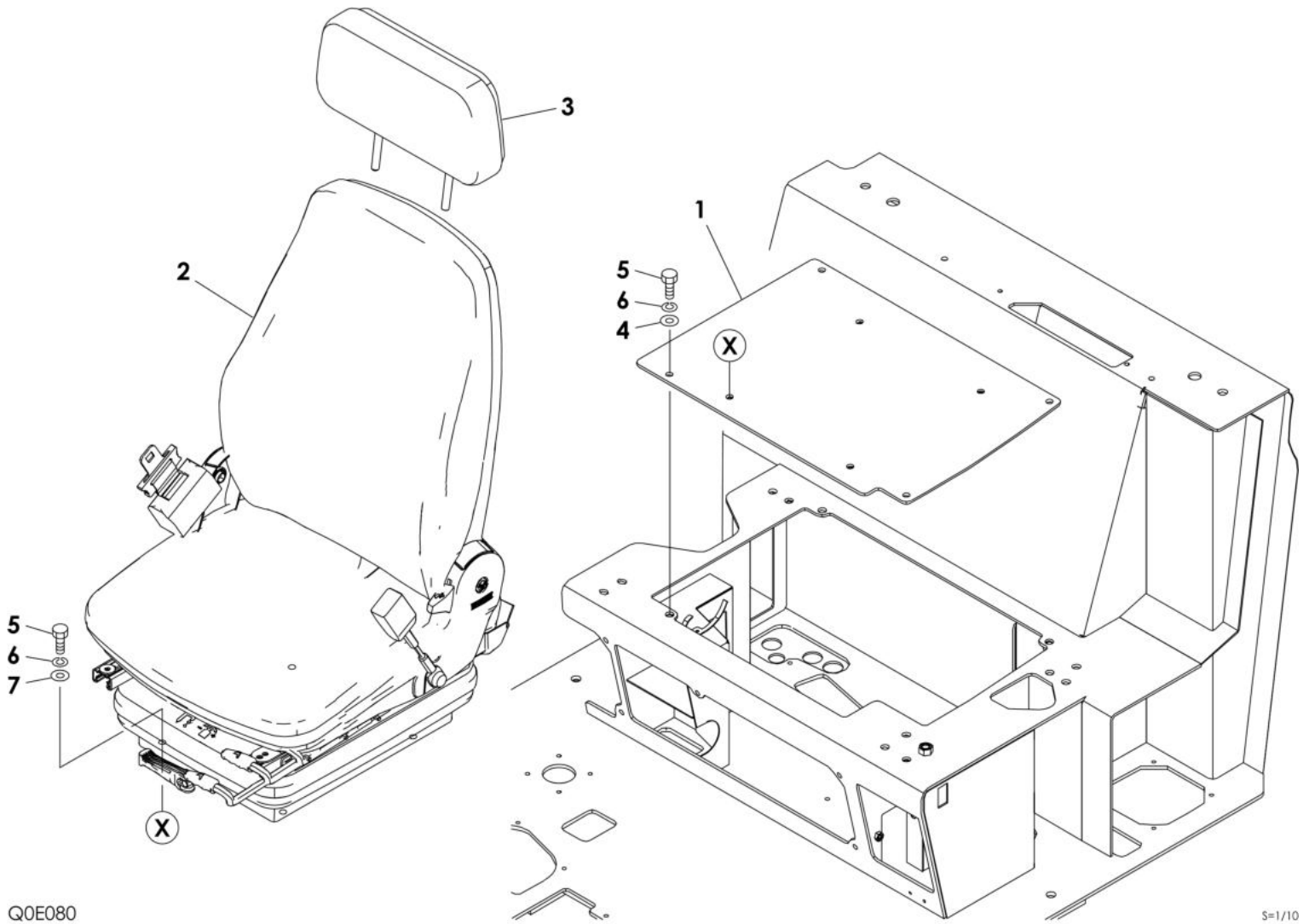
Item	Part No.	Name	Qty	Uom	Remarks	SERIAL NUMBER
-	PNNA	MAT ASSY, floor		EA		
1	0573500240	BOOT	1	EA		
2	0553500219	MAT, floor	1	EA		

COVER & CAB FLOOR MAT (canopy)



Item	Part No.	Name	Qty	Uom	Remarks	SERIAL NUMBER
-	PNNA	MAT ASSY, floor		EA		
1	0553500353	MAT, floor	1	EA	A	126100098~126100435
1	0373500224	MAT, floor	1	EA	a	126100436~
2	1652533013	CAP	1	EA		
3	1652533002	CAP	4	EA	A	126100098~126100435
4	0573500225	URETHANE	1	EA	A	126100098~126100435
5	0553500376	MAT, floor	1	EA	A	126100098~126100435
5	0553500383	MAT, floor	1	EA	a	126100436~
-	PNNA	SET "A" is interchangeable with SET "a".		EA		

COVER & CAB SEAT (1/2) (cab)

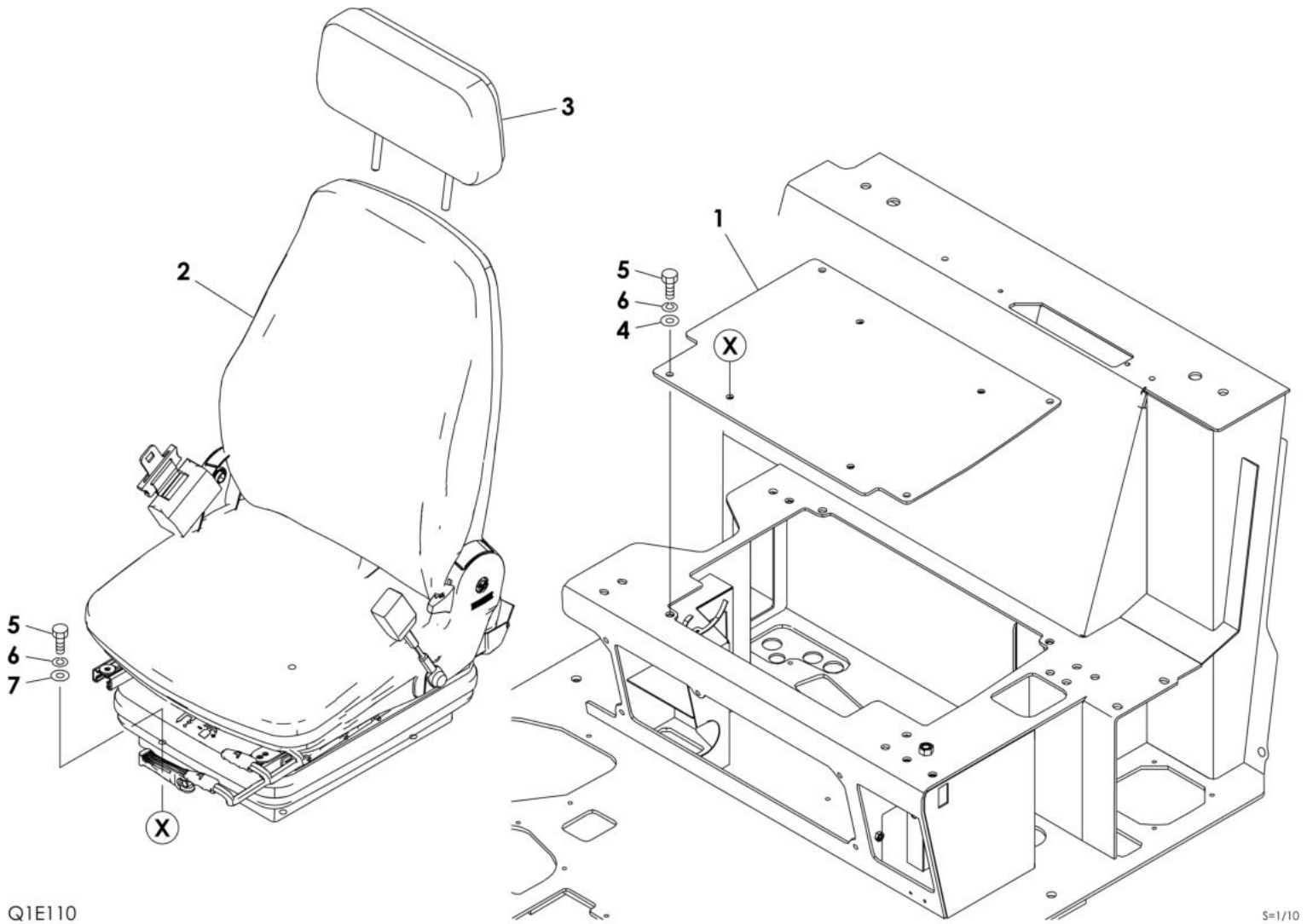


Q0E080

S=1/10

Item	Part No.	Name	Qty	Uom	Remarks	SERIAL NUMBER
-	PNNA	SEAT ASSY		EA		
1	0553400001	PLATE	1	EA		
2	1914100071	SEAT ASSY (cab)	1	EA		126100003~126101887
2	1914100146	SEAT ASSY (cab) (fabric)	1	EA	SEE PAGE 2 OF 2	126101888~
3	1914105113	REST, head	1	EA		
4	0003608252	WASHER	4	EA		
5	1100050820	BOLT (10TM8 X 20 P/1.25)	8	EA		
6	1140020008	WASHER, spring	8	EA		
7	1141110008	WASHER	4	EA		

COVER & CAB SEAT (1/2) (canopy)

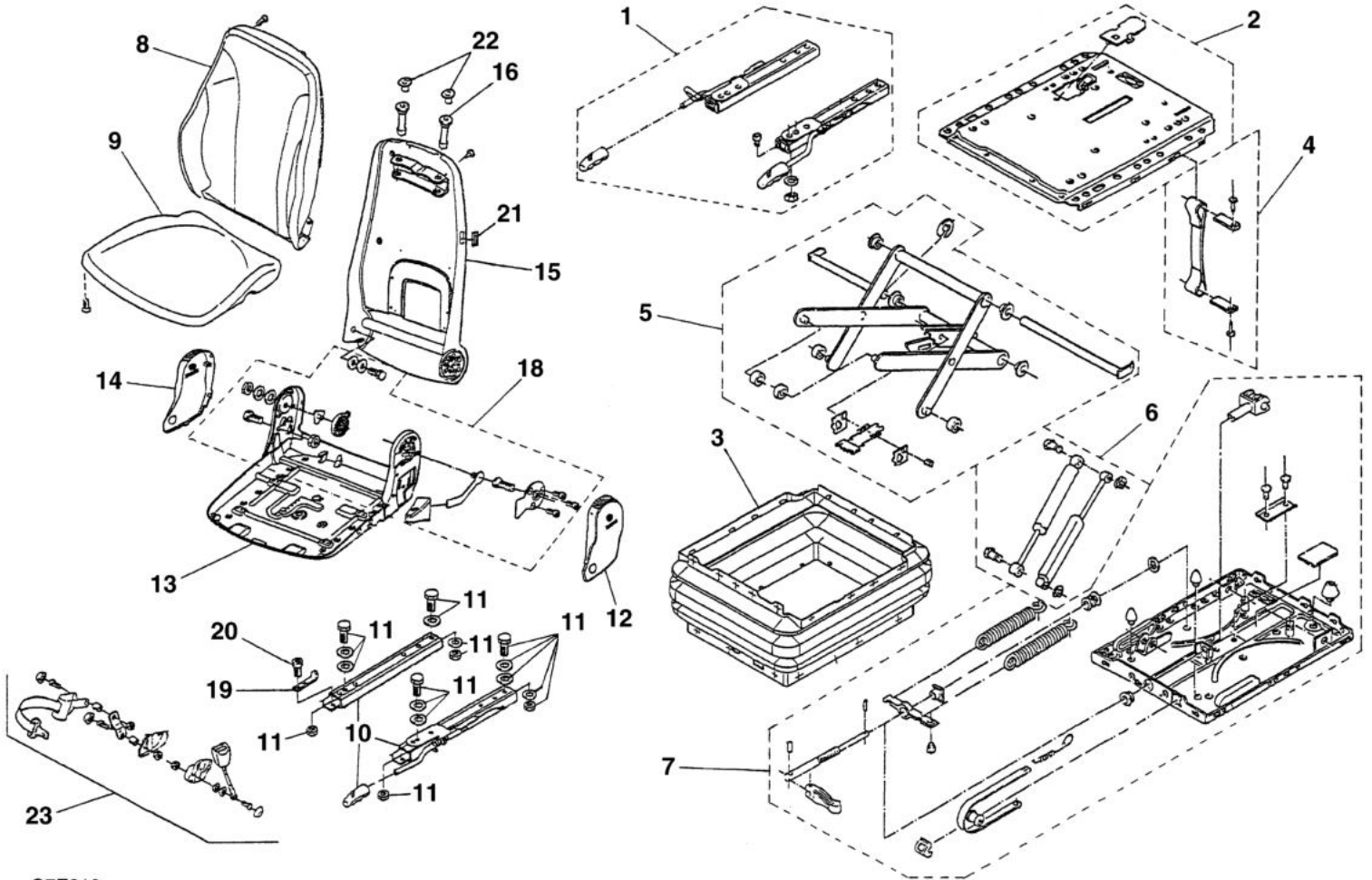


Q1E110

S=1/10

Item	Part No.	Name	Qty	Uom	Remarks	SERIAL NUMBER
-	PNNA	SEAT ASSY		EA		
1	0553400005	PLATE	1	EA		
2	1914100147	SEAT ASSY (canopy) (PVC)	1	EA	SEE PAGE 2 OF 2	126100003~126101926; 126101927~
3	1914100112	REST, head (PVC)	1	EA		
4	0003608252	WASHER	4	EA		
5	1100050820	BOLT (10TM8 X 20 P/1.25)	8	EA		
6	1140020008	WASHER, spring	8	EA		
7	1141110008	WASHER	4	EA		

COVER & CAB SEAT (2/2) (cab) (126100003-126101887)

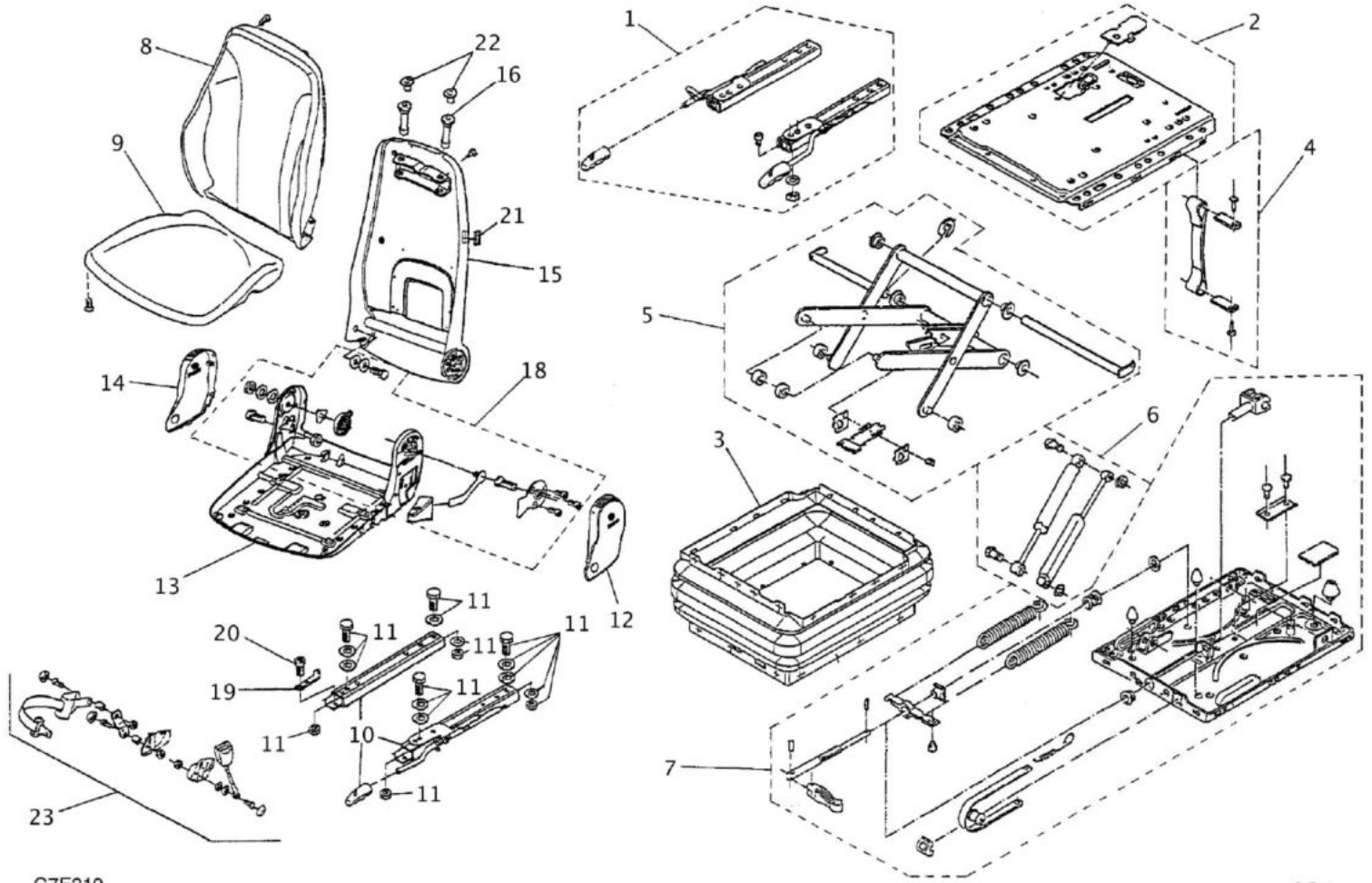


G7E310

S=Free

Item	Part No.	Name	Qty	Uom	Remarks	SERIAL NUMBER
0	1914100146	SEAT ASSY (cab) (fabric)	1	EA		
0	1914100147	SEAT ASSY (canopy) (PVC)	1	EA		
1	1914101072	RAIL ASSY	1	EA		
2	1914102072	PLATE ASSY	1	EA		
3	1914103071	BOOT (FABRIC)	1	EA	fabric	
3	1914103072	BOOT	1	EA	PVC	
4	1914104072	ANGLE ASSY	1	EA		
5	1914105072	LINK ASSY	1	EA		
6	1914106072	DAMPER ASSY	1	EA		
7	1914107072	SPRING ASSY	1	EA		
8	1914108072	TRIM (PVC)	1	EA	PVC	
8	1914101071	CUSHION (SEAT) (FABRIC)	1	EA	fabric	
9	1914109072	TRIM (BOTTOM SEAT CUSHION) (PVC)	1	EA	PVC	
9	1914102071	CUSHION (SEAT) (FABRIC)	1	EA	fabric	
10	1914110072	RAIL ASSY	1	EA		
11	1914111072	BOLT ASSY	1	EA		
12	1914112072	COVER (L.H.)	1	EA		
13	1914113072	FRAME	1	EA		
14	1914114072	COVER (R.H.)	1	EA		
15	1914115072	FRAME	1	EA		
16	1914116072	GUIDE	2	EA		
18	1914118072	JOINT ASSY	1	EA		
19	1914119072	PLATE	1	EA		
20	1914120072	SCREW, cap	1	EA		
21	1914121072	PLATE	1	EA		
22	1914122072	PLUG	2	EA		
23	1914123072	SEATBELT ASSY (#1914123072TO FOR REDUCED PRICE)	1	EA		

COVER & CAB SEAT (2/2) (canopy) (126100003-126101926)

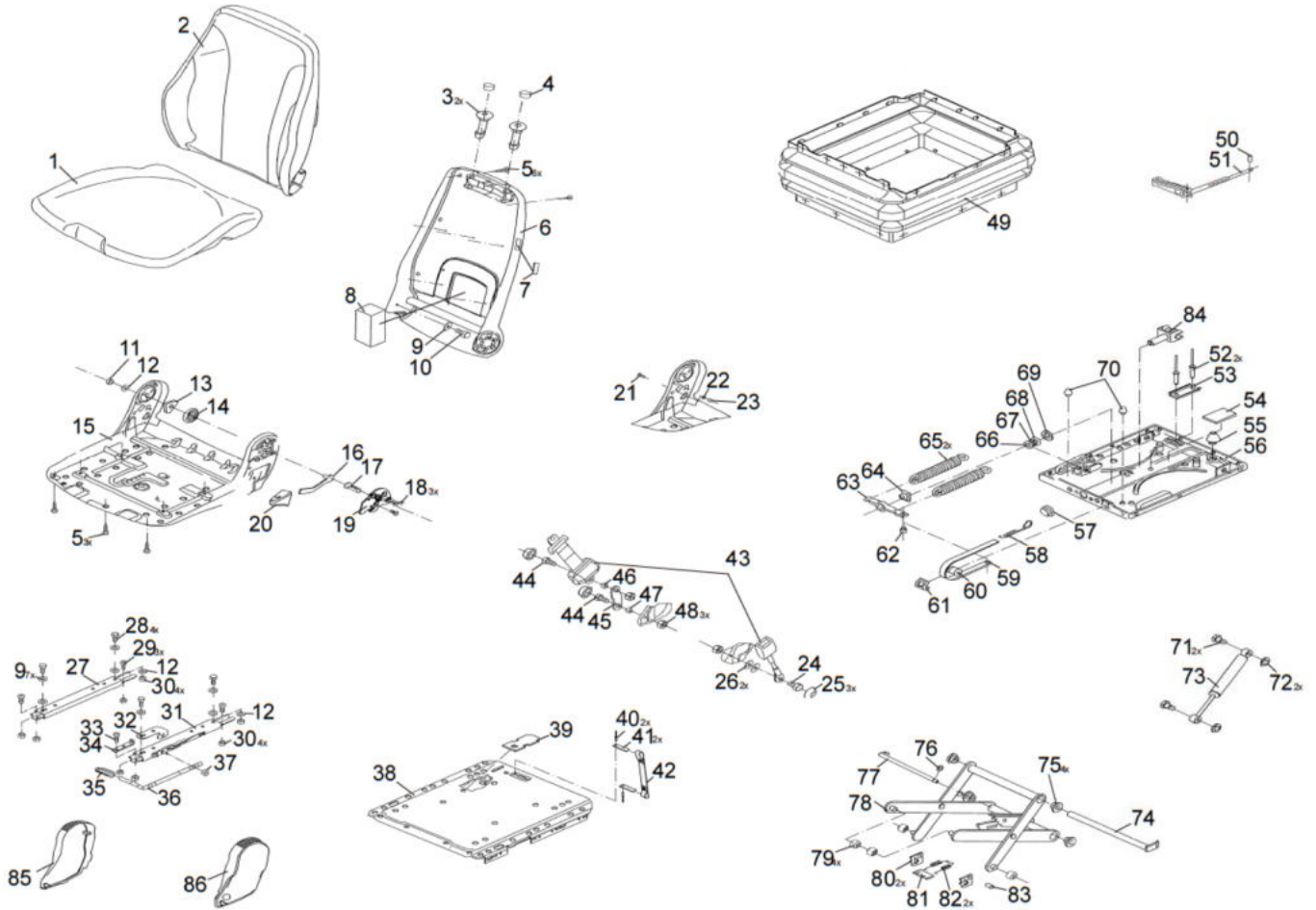


G7E310

SeFree

Item	Part No.	Name	Qty	Uom	Remarks	SERIAL NUMBER
0	1914100147	SEAT ASSY (canopy) (PVC)	1	EA		
1	1914101072	RAIL ASSY	1	EA		
2	1914102072	PLATE ASSY	1	EA		
3	1914103072	BOOT	1	EA		
4	1914104072	ANGLE ASSY	1	EA		
5	1914105072	LINK ASSY	1	EA		
6	1914106072	DAMPER ASSY	1	EA		
7	1914107072	SPRING ASSY	1	EA		
8	1914108072	TRIM (PVC)	1	EA		
9	1914109072	TRIM (BOTTOM SEAT CUSHION) (PVC)	1	EA		
10	1914110072	RAIL ASSY	1	EA		
11	1914111072	BOLT ASSY	1	EA		
12	1914112072	COVER (L.H.)	1	EA		
13	1914113072	FRAME	1	EA		
14	1914114072	COVER (R.H.)	1	EA		
15	1914115072	FRAME	1	EA		
16	1914116072	GUIDE	2	EA		
18	1914118072	JOINT ASSY	1	EA		
19	1914119072	PLATE	1	EA		
20	1914120072	SCREW, cap	1	EA		
21	1914121072	PLATE	1	EA		
22	1914122072	PLUG	2	EA		
23	1914123072	SEATBELT ASSY (#1914123072 TO FOR REDUCED PRICE)	1	EA		

COVER & CAB SEAT (2/2) (cab) (126101888-)



G7E310-1

Item	Part No.	Name	Qty	Uom	Remarks	SERIAL NUMBER
0	1914100146	SEAT ASSY (cab) (fabric)	1	EA		
1	1914101146	TRIM	1	EA		
2	1914102146	CUSHION, seat (BLACK CLOTH) (NO TAKEUCHI LOGO)	1	EA		
3	1914116072	GUIDE	2	EA		
4	1914122072	PLUG	2	EA		
5	1914103096	SCREW	9	EA		
6	1914104128	PLATE	1	EA		
7	1914121072	PLATE	1	EA		
8	1914106128	BLOCK	1	EA		
9	1914110109	WASHER	8	EA		
10	1914103147	BOLT	1	EA		
11	1914104147	NUT	1	EA		
12	1914109109	WASHER	3	EA		
13	1914112096	BEARING	1	EA		
14	1914113096	SPRING	1	EA		
15	1914112128	PLATE, seat	1	EA		
16	1914115096	LEVER	1	EA		
17	1914105147	SCREW	1	EA		
18	1914106147	SCREW	3	EA		
19	1914107147	PLATE	1	EA		
20	1914116096	HANDLE	1	EA		
21	1914115128	SCREW, cap	1	EA		
22	1914115109	NUT	1	EA		
23	1914113128	CAP	1	EA		
24	1914123128	BOLT	1	EA		
25	1914124128	CAP	3	EA		
26	1914122128	WASHER	2	EA		
27	1914128128	RAIL, slide	1	EA		
28	1914127128	BOLT	4	EA		
29	1914121109	SCREW, cap	3	EA		
30	1914102109	NUT	5	EA		
31	1914129128	RAIL, slide	1	EA		
32	1914130128	ANGLE	1	EA		
33	1914120072	SCREW, cap	1	EA		
34	1914119072	PLATE	1	EA		
35	1914105096	HANDLE	1	EA		
36	1914108147	LEVER	1	EA		
37	1914108109	NUT	1	EA		

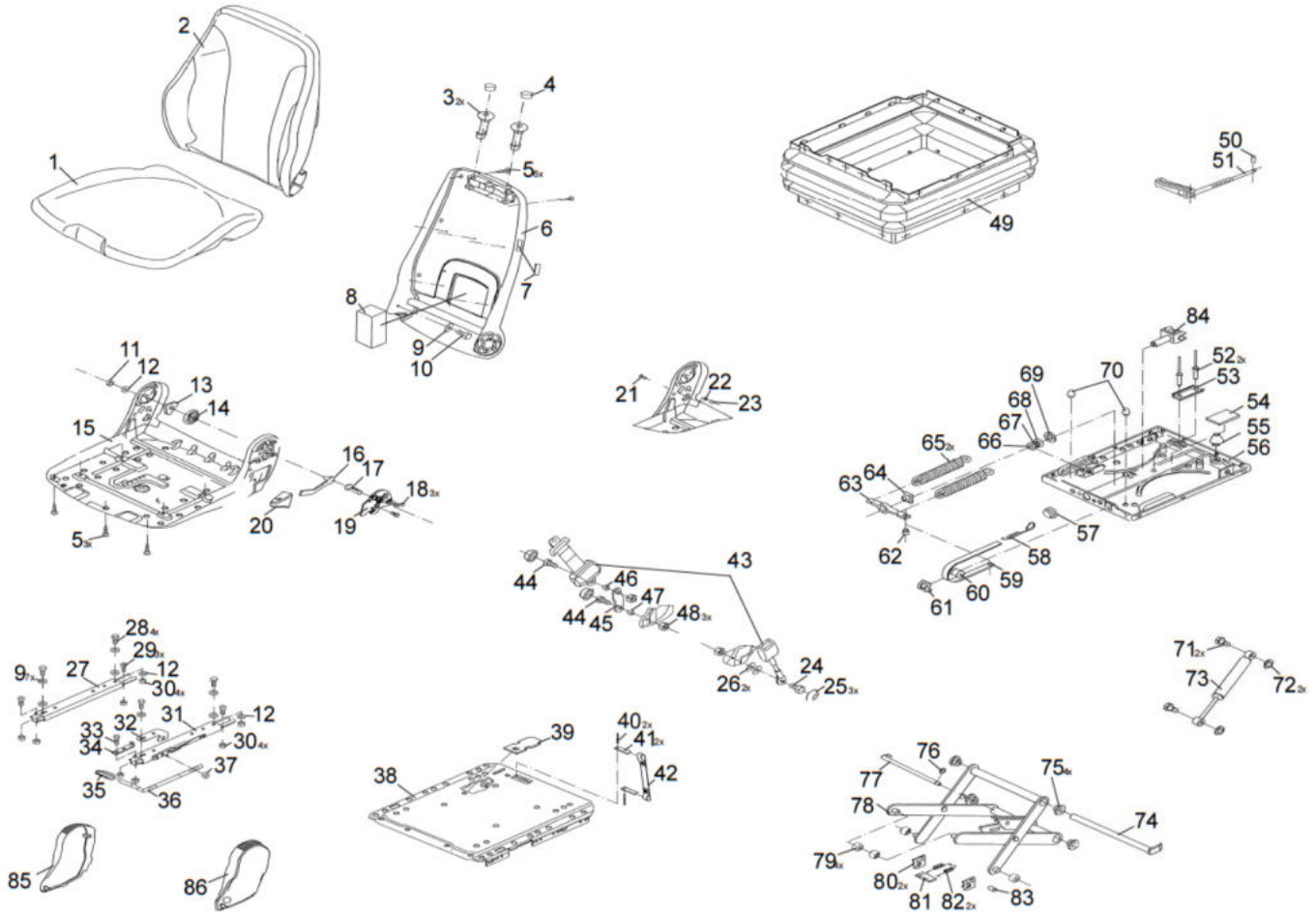
This page intentionally left blank

Item	Part No.	Name	Qty	Uom	Remarks	SERIAL NUMBER
38	1914139128	PLATE	1	EA		
39	1914138128	PANEL ASSY	1	EA		
40	1914140128	RIVET	2	EA		
41	1914141128	PLATE	2	EA		
42	1914142128	BAND	1	EA		
43	1914116128	SEATBELT	1	EA		
44	1914117128	BOLT	2	EA		
45	1914141096	BRACKET	1	EA		
46	1914119128	BUSHING	1	EA		
47	1914120128	BUSHING	1	EA		
48	1914121128	NUT	3	EA		
49	1914178128	BOOT	1	EA		
50	1914157128	PIN, spring	1	EA		
51	1914156128	LEVER	1	EA		
52	1914110147	RIVET	2	EA		
53	1914168128	PLATE	1	EA		
54	1914169128	RUBBER	1	EA		
55	1914171128	BUMPER	1	EA		
56	1914172128	PLATE	1	EA		
57	1914173128	BUSHING	1	EA		
58	1914174128	SPRING	1	EA		
59	1914177128	BAND	1	EA		
60	1914175128	ROLLER, seat	1	EA		
61	1914176128	PLATE	1	EA		
62	1914158128	PLUG	1	EA		
63	1914159128	PLATE	1	EA		
64	1914160128	NUT	1	EA		
65	1914161128	SPRING	2	EA		
66	1914162128	WASHER	1	EA		
67	1914163128	JOINT, ball	1	EA		
68	1914164128	WASHER	1	EA		
69	1914165128	WASHER	1	EA		
70	1914106097	BUMPER	2	EA		
71	1914154128	BOLT	2	EA		
72	1914155128	WASHER	2	EA		
73	1914153128	DAMPER	1	EA		
74	1914146128	BOLT	1	EA		
75	1914147128	BUSHING	4	EA		

This page intentionally left blank

Item	Part No.	Name	Qty	Uom	Remarks	SERIAL NUMBER
76	1914145128	WASHER	1	EA		
77	1914144128	BOLT	1	EA		
78	1914143128	ARM ASSY	1	EA		
79	1914148128	ROLLER, seat	4	EA		
80	1914151128	PLATE	2	EA		
81	1914149128	PLATE	1	EA		
82	1914150128	SPRING	2	EA		
83	1914152128	BOLT	1	EA		
84	1914166128	PISTON	1	EA		
85	1914111147	COVER (R.H.)	1	EA		
86	1914112147	COVER (L.H.)	1	EA		

COVER & CAB SEAT (2/2) (canopy) (126101927-)



G7E310-1

Item	Part No.	Name	Qty	Uom	Remarks	SERIAL NUMBER
0	1914100147	SEAT ASSY (canopy) (PVC)	1	EA		
1	1914101147	CUSHION, seat (BLACK VINYL/PVC)	1	EA		
2	1914102147	TRIM	1	EA		
3	1914116072	GUIDE	2	EA		
4	1914122072	PLUG	2	EA		
5	1914103096	SCREW	9	EA		
6	1914104128	PLATE	1	EA		
7	1914121072	PLATE	1	EA		
8	1914106128	BLOCK	1	EA		
9	1914110109	WASHER	8	EA		
10	1914103147	BOLT	1	EA		
11	1914104147	NUT	1	EA		
12	1914109109	WASHER	3	EA		
13	1914112096	BEARING	1	EA		
14	1914113096	SPRING	1	EA		
15	1914112128	PLATE, seat	1	EA		
16	1914115096	LEVER	1	EA		
17	1914105147	SCREW	1	EA		
18	1914106147	SCREW	3	EA		
19	1914107147	PLATE	1	EA		
20	1914116096	HANDLE	1	EA		
21	1914115128	SCREW, cap	1	EA		
22	1914115109	NUT	1	EA		
23	1914113128	CAP	1	EA		
24	1914123128	BOLT	1	EA		
25	1914124128	CAP	3	EA		
26	1914122128	WASHER	2	EA		
27	1914128128	RAIL, slide	1	EA		
28	1914127128	BOLT	4	EA		
29	1914121109	SCREW, cap	3	EA		
30	1914102109	NUT	5	EA		
31	1914129128	RAIL, slide	1	EA		
32	1914130128	ANGLE	1	EA		
33	1914120072	SCREW, cap	1	EA		
34	1914119072	PLATE	1	EA		
35	1914105096	HANDLE	1	EA		
36	1914108147	LEVER	1	EA		
37	1914108109	NUT	1	EA		

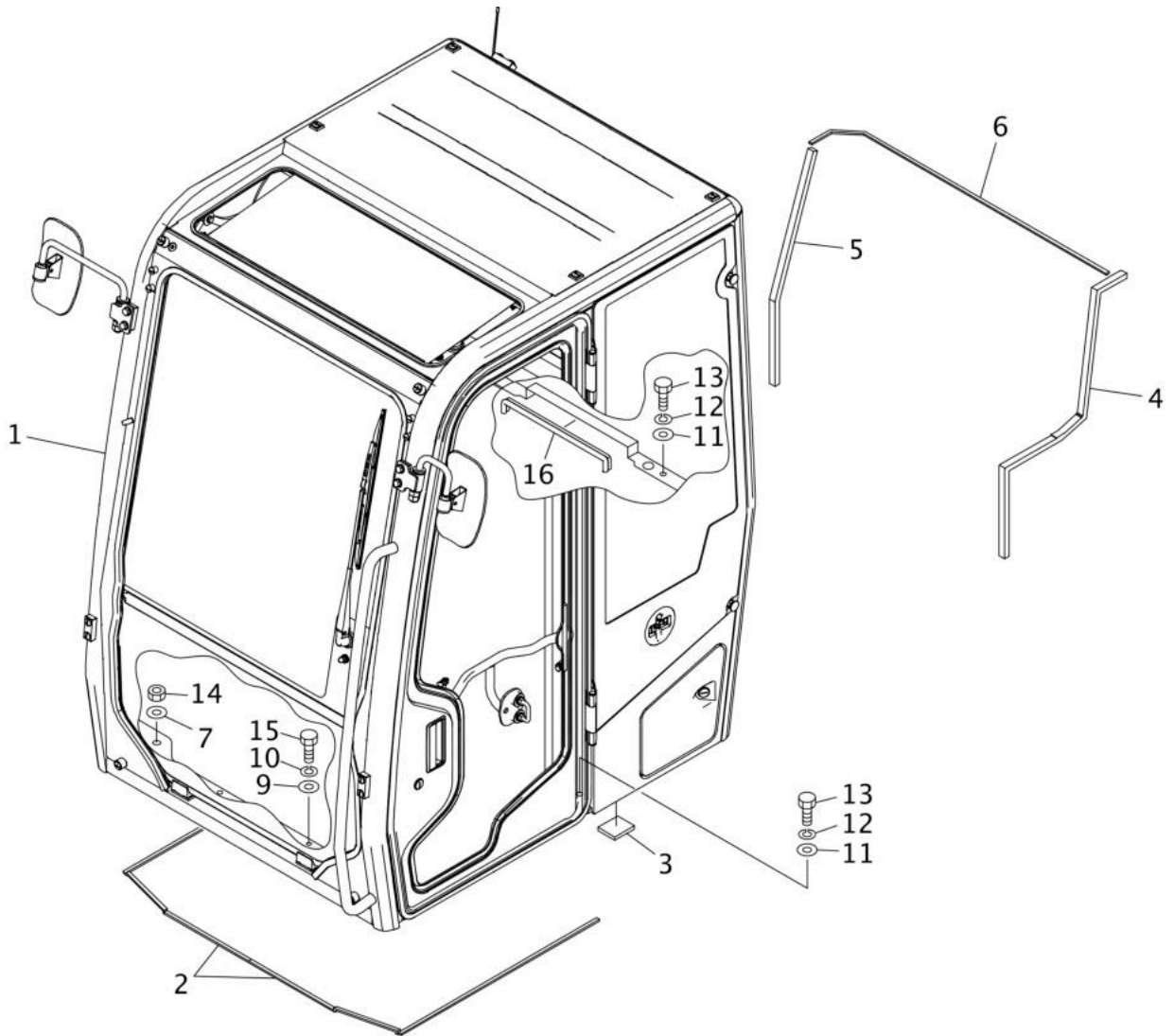
This page intentionally left blank

Item	Part No.	Name	Qty	Uom	Remarks	SERIAL NUMBER
38	1914139128	PLATE	1	EA		
39	1914138128	PANEL ASSY	1	EA		
40	1914140128	RIVET	2	EA		
41	1914141128	PLATE	2	EA		
42	1914142128	BAND	1	EA		
43	1914116128	SEATBELT	1	EA		
44	1914117128	BOLT	2	EA		
45	1914141096	BRACKET	1	EA		
46	1914119128	BUSHING	1	EA		
47	1914120128	BUSHING	1	EA		
48	1914121128	NUT	3	EA		
49	1914109147	BELLOWS (BLK)	1	EA		
50	1914157128	PIN, spring	1	EA		
51	1914156128	LEVER	1	EA		
52	1914110147	RIVET	2	EA		
53	1914168128	PLATE	1	EA		
54	1914169128	RUBBER	1	EA		
55	1914171128	BUMPER	1	EA		
56	1914172128	PLATE	1	EA		
57	1914173128	BUSHING	1	EA		
58	1914174128	SPRING	1	EA		
59	1914177128	BAND	1	EA		
60	1914175128	ROLLER, seat	1	EA		
61	1914176128	PLATE	1	EA		
62	1914158128	PLUG	1	EA		
63	1914159128	PLATE	1	EA		
64	1914160128	NUT	1	EA		
65	1914161128	SPRING	2	EA		
66	1914162128	WASHER	1	EA		
67	1914163128	JOINT, ball	1	EA		
68	1914164128	WASHER	1	EA		
69	1914165128	WASHER	1	EA		
70	1914106097	BUMPER	2	EA		
71	1914154128	BOLT	2	EA		
72	1914155128	WASHER	2	EA		
73	1914153128	DAMPER	1	EA		
74	1914146128	BOLT	1	EA		
75	1914147128	BUSHING	4	EA		

This page intentionally left blank

Item	Part No.	Name	Qty	Uom	Remarks	SERIAL NUMBER
76	1914145128	WASHER	1	EA		
77	1914144128	BOLT	1	EA		
78	1914143128	ARM ASSY	1	EA		
79	1914148128	ROLLER, seat	4	EA		
80	1914151128	PLATE	2	EA		
81	1914149128	PLATE	1	EA		
82	1914150128	SPRING	2	EA		
83	1914152128	BOLT	1	EA		
84	1914166128	PISTON	1	EA		
85	1914111147	COVER (R.H.)	1	EA		
86	1914112147	COVER (L.H.)	1	EA		

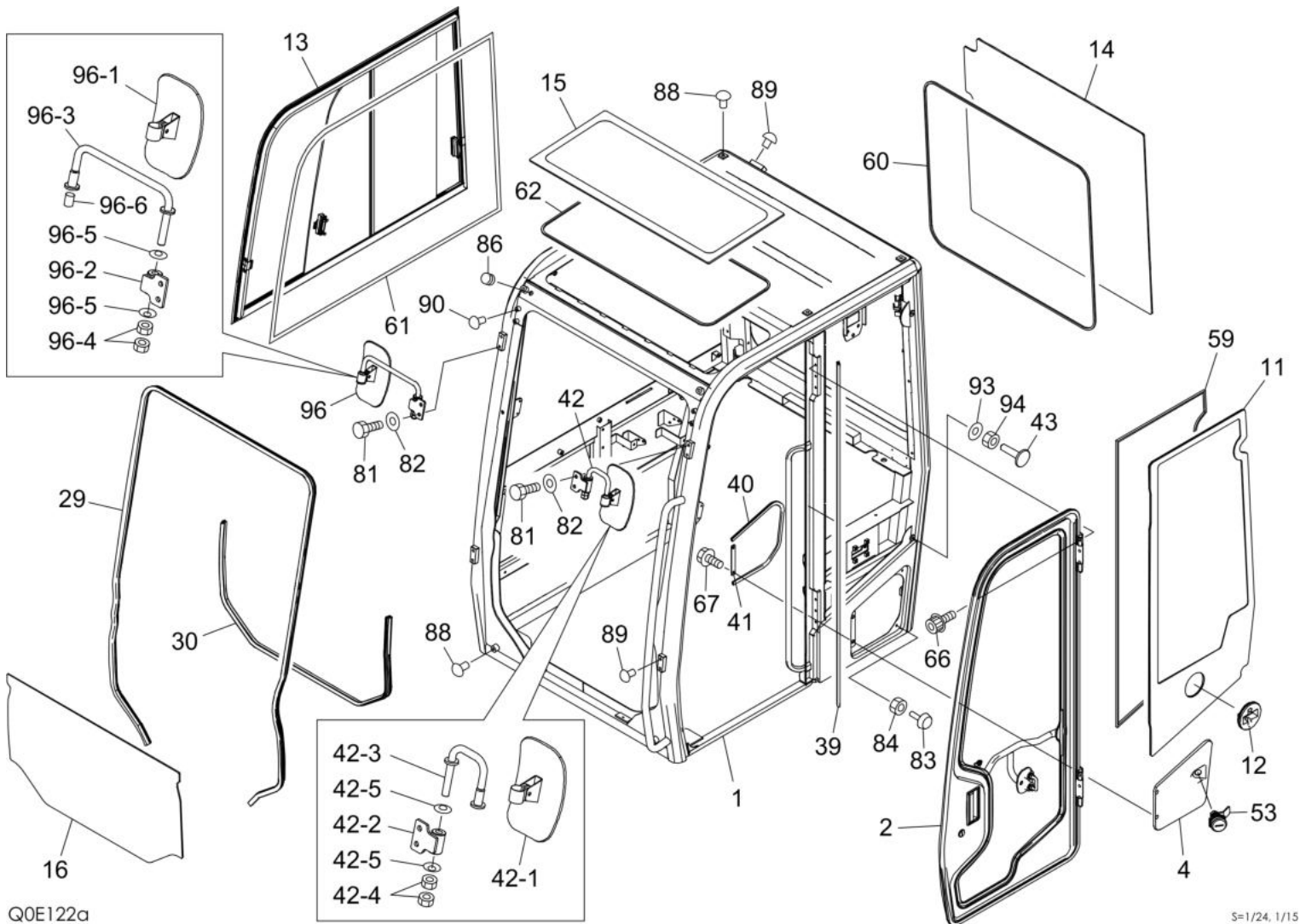
COVER & CAB CAB MOUNT



Q0E092

S=1/1

Item	Part No.	Name	Qty	Uom	Remarks	SERIAL NUMBER
Not Shown	PNNA	CAB MOUNT		EA		
1	0558603100	CAB	1	EA	see page (1/4)	
2	0558600082	SEAL	2	EA		
3	0558600060	SEAL	1	EA		
4	1654343102	SPONGE	1	EA	sold by the meter	
5	1654343068	SPONGE	1	EA	sold by the meter	
6	0558600059	SEAL	1	EA		
7	1141550016	WASHER (HEAT M16)	2	EA		
9	0003900035	WASHER (10MM)	2	EA		
10	1140020010	WASHER, spring	2	EA		
11	1141110012	WASHER	3	EA		
12	1140020012	WASHER, spring (12MM)	3	EA		
13	1101041235	BOLT	3	EA		
14	1130050016	NUT	2	EA		
15	1100051030	BOLT	2	EA		
16	1654606000	SEAL (SOLD BY THE METER)	1	EA	sold by the meter	



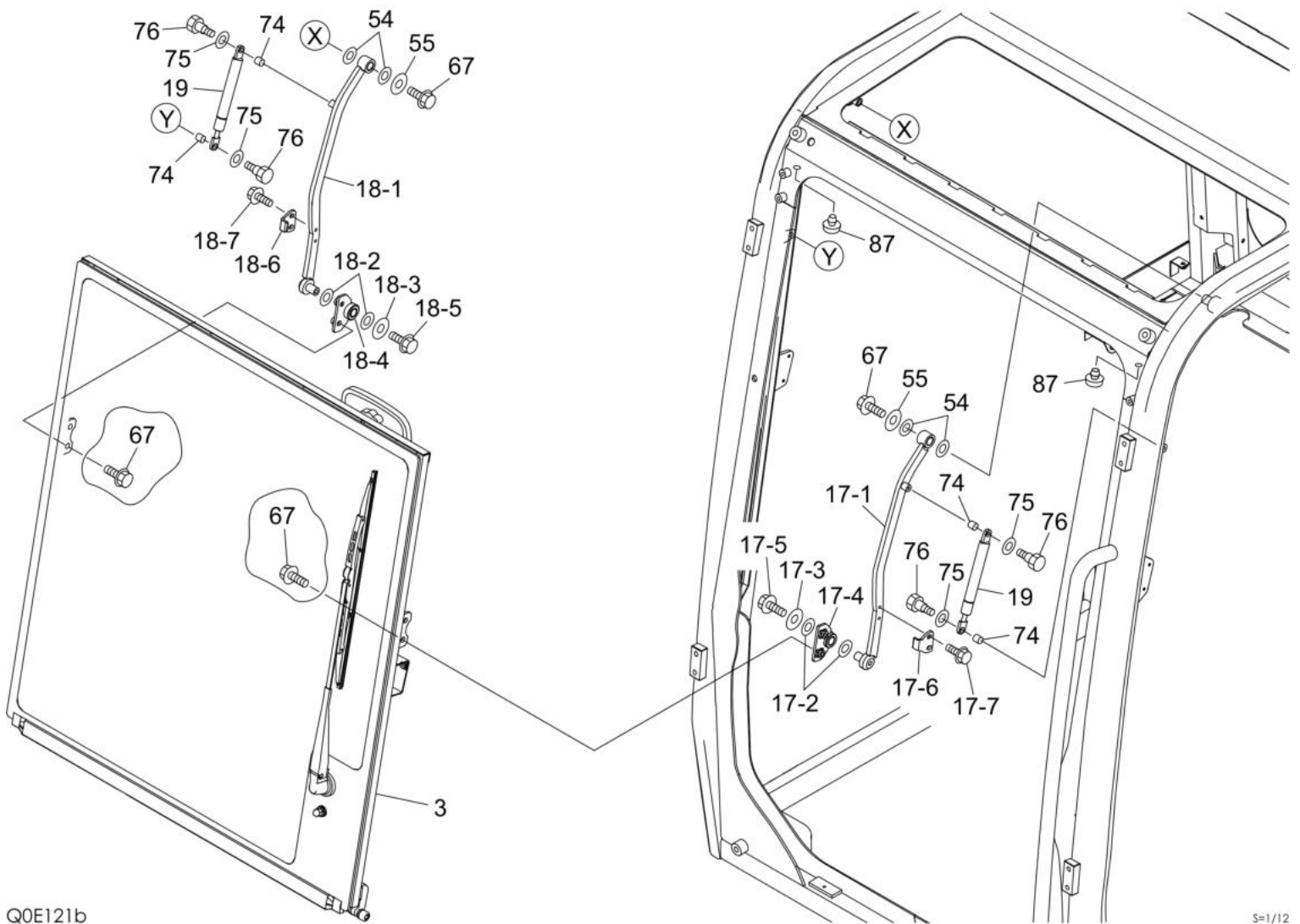
Q0E122a

S=1/24, 1/15

Item	Part No.	Name	Qty	Uom	Remarks	SERIAL NUMBER
0	0558603100	CAB	1	EA		
1	*****	CAB	1	EA		
2	0558603800	DOOR ASSY	1	EA	see page (2/4)	
4	0558603180	COVER	1	EA		
11	0558604220	GLASS (CAB/REAR) (SEE #0558604220 TO REDUCED PRICE)	1	EA		
12	0568626600	GROMMET	1	EA		
13	0558604300	SASH ASSY, side	1	EA	see page (4/4)	
14	0558604230	GLASS (REAR) (SEE 0558604230 TO FOR REDUCED PRICE)	1	EA		
15	0568600381	ROOF	1	EA		
16	0558604210	GLASS (LOWER/FRONT) (#0558604210 TO REDUCED PRICE)	1	EA		
29	0558600124	SEAL	1	EA		
30	0558600125	SEAL	1	EA		
39	1654649153	SEAL	1	EA		
40	0558600221	TRIM	1	EA		
41	0558603196	SHIM	1	EA		
42	0568660770	MIRROR ASSY (L.H.) (#0558604560 TO REDUCED PRICE)	1	EA		
42-1	0558604565	MIRROR (INCLUDES CLAMP # 1656500075)	1	EA		
42-2	0558604570	HOLDER	1	EA		
42-3	0558604580	STAY	1	EA		
42-4	1130050016	NUT	2	EA		
42-5	1225110016	WASHER, conical	2	EA		
43	0578600093	RUBBER	4	EA		
53	0378219330	LOCK ASSY	1	EA		
59	0558600119	DAM	1	EA		
60	0558600252	SEAL	1	EA		
61	0558600121	DAM	1	EA		
62	1654615300	SEAL	1	EA		
66	1120990816	BOLT	6	EA		
67	1100790820	BOLT	12	EA		
81	1100051020	BOLT (10TM10 X 20 P/1.5)	4	EA		
82	0003900035	WASHER (10MM)	4	EA		
83	0558600223	RUBBER	2	EA		
84	1130050006	NUT (4TM6 P/1.0)	2	EA		
86	0578600097	GROMMET	1	EA		

This page intentionally left blank

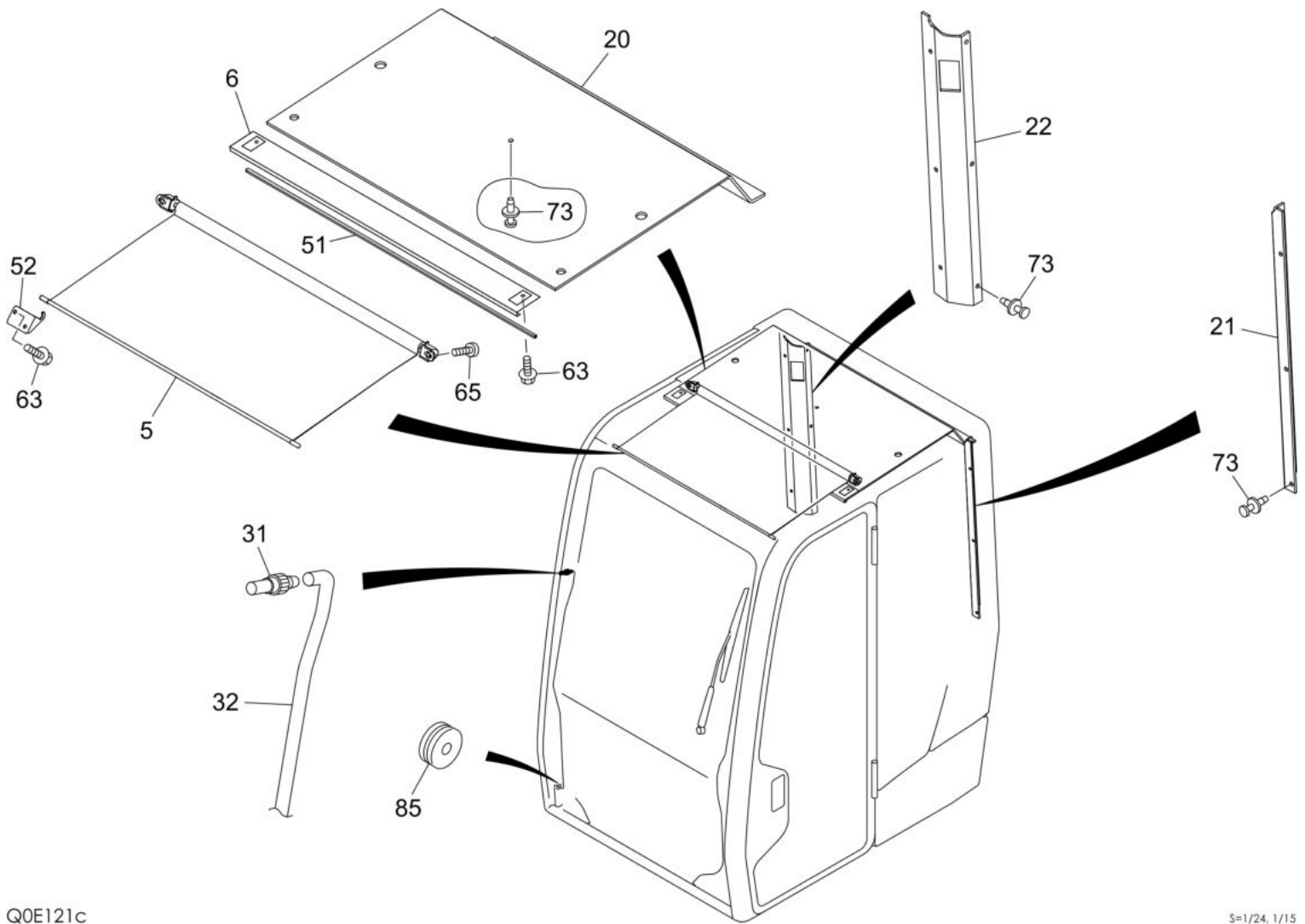
Item	Part No.	Name	Qty	Uom	Remarks	SERIAL NUMBER
88	1653303012	CAP	8	EA		
89	0558600225	CAP	8	EA		
90	0558600226	CAP	4	EA		
93	1141110010	WASHER, plain	2	EA		
94	1130240010	NUT	2	EA		
96	0558600248	MIRROR ASSY (R.H.)(SEE 0558600248TPO REDUCE PRICE)	1	EA		
96-1	0558604565	MIRROR (INCLUDES CLAMP # 1656500075)	1	EA		
96-2	0558604570	HOLDER	1	EA		
96-3	0378600055	STAY	1	EA		
96-4	1130050016	NUT	2	EA		
96-5	1225110016	WASHER, conical	2	EA		
96-6	0558604584	TUBE	2	EA		



Q0E121b

S=1/12

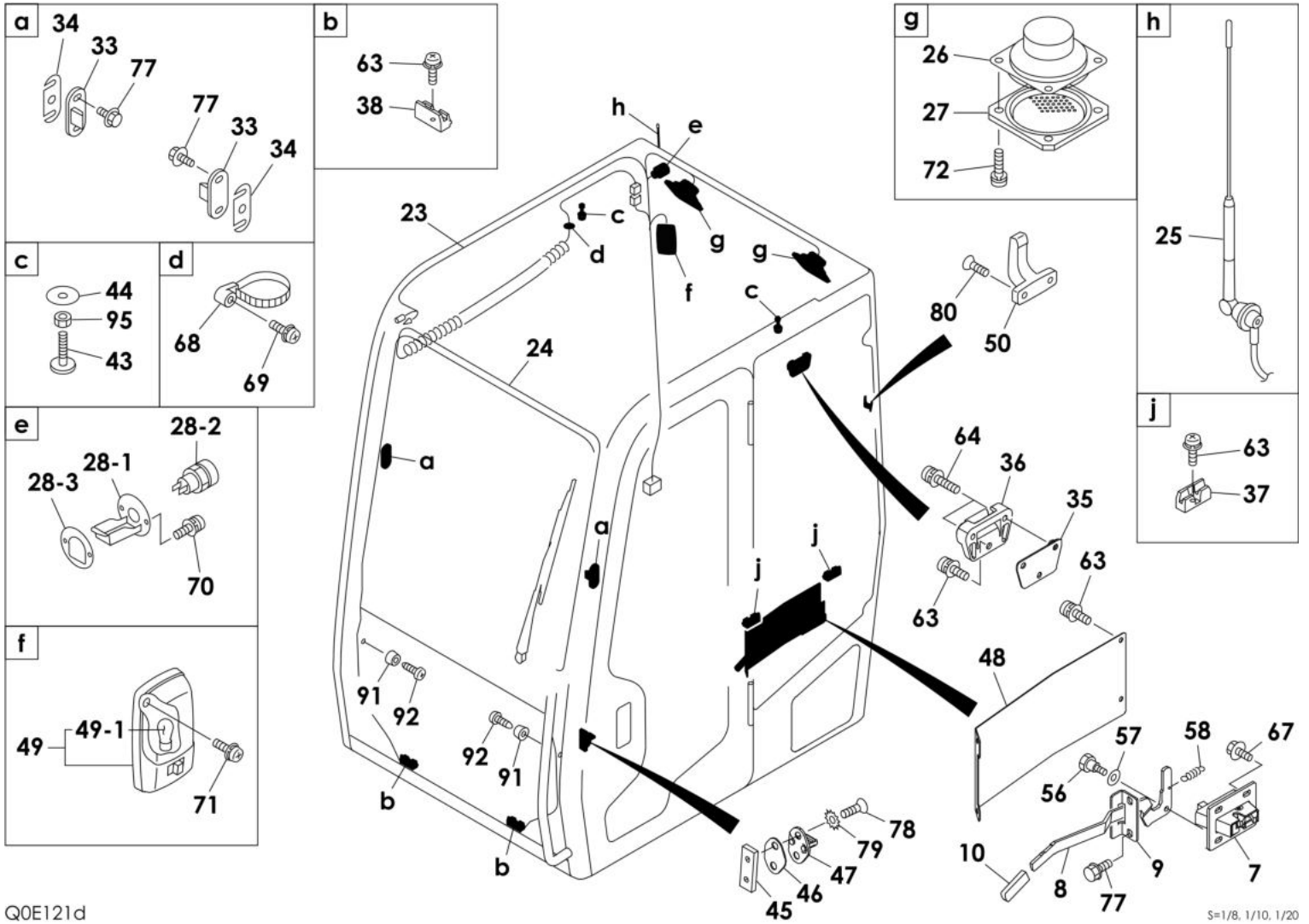
Item	Part No.	Name	Qty	Uom	Remarks	SERIAL NUMBER
3	0568660400	SASH ASSY, front (#0558604100TO FOR REDUCED PRICE)	1	EA	see page (3/4)	126100003~126100061
17	0558604610	ARM ASSY	1	EA		
17-1	0558604620	ARM	1	EA		
17-2	0083252100	WASHER, thrust	2	EA		
17-3	0578600089	WASHER	1	EA		
17-4	0558604630	BRACKET	1	EA		
17-5	1100790820	BOLT	1	EA		
17-6	0558604640	BRACKET	1	EA		
17-7	1106690616	BOLT	2	EA		
18	0558604650	ARM ASSY	1	EA		
18-1	0558604660	ARM	1	EA		
18-2	0083252100	WASHER, thrust	2	EA		
18-3	0578600089	WASHER	1	EA		
18-4	0558604630	BRACKET	1	EA		
18-5	1100790820	BOLT	1	EA		
18-6	0558604670	BRACKET	1	EA		
18-7	1106690616	BOLT	2	EA		
19	1653900075	SPRING, gas	2	EA		
54	0083252100	WASHER, thrust	4	EA		
55	0578600089	WASHER	2	EA		
67	1100790820	BOLT	12	EA		
74	0558604602	BUSHING	4	EA		
75	0558604603	WASHER	4	EA		
76	0558604604	BOLT	4	EA		
87	0578600098	CUSHION, rubber	2	EA		



Q0E121c

S=1/24, 1/15

Item	Part No.	Name	Qty	Uom	Remarks	SERIAL NUMBER
5	0558604470	BLIND, roll	1	EA		
6	0558604500	BRACKET	1	EA		
20	0558604430	COVER	1	EA		126100003~126100336
20	0558600234	COVER	1	EA		126100337~
21	0558604460	COVER	1	EA		126100003~126100336
21	0558600236	COVER	1	EA		126100337~
22	0558604450	COVER	1	EA		126100003~126100336
22	0558600235	COVER	1	EA		126100337~
31	0558604740	NOZZLE	1	EA		
32	1711919000	HOSE (SOLD BY THE METER)	1	EA		
51	0558604716	TRIM	1	EA		
52	0558604510	PLATE	1	EA		
63	1150410616	SCREW, sems	13	EA		
65	1122513512	SCREW	4	EA		
73	1652900014	RIVET	19	EA		
85	0558604742	GROMMET	1	EA		



Q0E121d

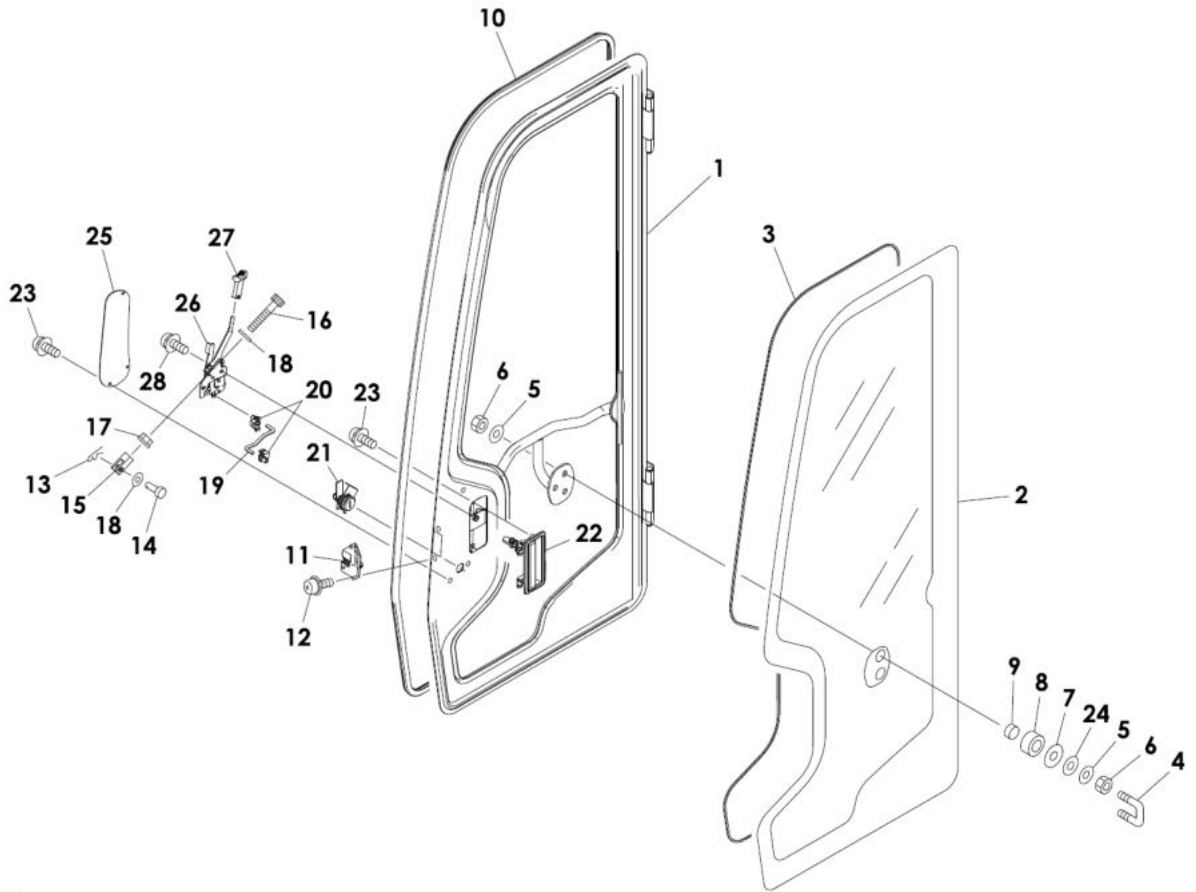
S=1/8, 1/10, 1/20

Item	Part No.	Name	Qty	Uom	Remarks	SERIAL NUMBER
7	0568660600	LOCK	1	EA		
8	0558604771	LEVER	1	EA		
9	0568660620	BRACKET	1	EA		
10	1650100415	GRIP	1	EA		
23	0558600218	HARNESS, wiring	1	EA		
24	0558600219	HARNESS, wiring	1	EA		
25	0578600050	ANTENNA	1	EA		
26	0558604720	SPEAKER	2	EA		
27	0558604725	GRILLE	2	EA		
28	0558604550	SOCKET ASSY	1	EA		
28-1	0558604520	BRACKET	1	EA		
28-2	1711900066	SOCKET	1	EA		
28-3	0558604523	SEAL	1	EA		
33	0378607980	BRACKET	2	EA		
34	0558604763	SHIM	2	EA		
35	0558604590	PLATE ASSY	1	EA		
36	1654011930	HOLDER	1	EA		
37	0558604702	HOLDER	2	EA		
38	0558604701	HOLDER	2	EA		
43	0578600093	RUBBER	4	EA		
44	0558603921	WASHER	2	EA		
45	0558603512	PLATE	1	EA		
46	0558603513	PLATE	1	EA		
47	1654011708	STRIKER	1	EA		
48	0558604420	COVER	1	EA		
49	0558604710	LAMP, room	1	EA		
49-1	1703007300	LAMP ASSY (INCLUDES BULB #1703007301)	1	EA		
50	0558604715	HOOK	1	EA		
56	1654010800	PIN	1	EA		
57	0578602196	WASHER	1	EA		
58	0007000096	SPRING	1	EA		
63	1150410616	SCREW, sems	13	EA		
64	1150410620	SCREW	2	EA		
67	1100790820	BOLT	12	EA		
68	1652221050	BAND	1	EA		
69	1150420512	SCREW, sems	1	EA		
70	1150410612	BOLT, sems	2	EA		
71	1150410416	SCREW	2	EA		

This page intentionally left blank

Item	Part No.	Name	Qty	Uom	Remarks	SERIAL NUMBER
72	1120590412	SCREW	8	EA		
77	1106690612	BOLT	6	EA		
78	1120891025	BOLT	2	EA		
79	1140330010	WASHER, spring	2	EA		
80	1120790412	SCREW	2	EA		
91	0558600227	RUBBER	2	EA		
92	1122500416	SCREW, pan (M4 X 16 P/0.7)	2	EA		
95	1130090010	NUT	2	EA		

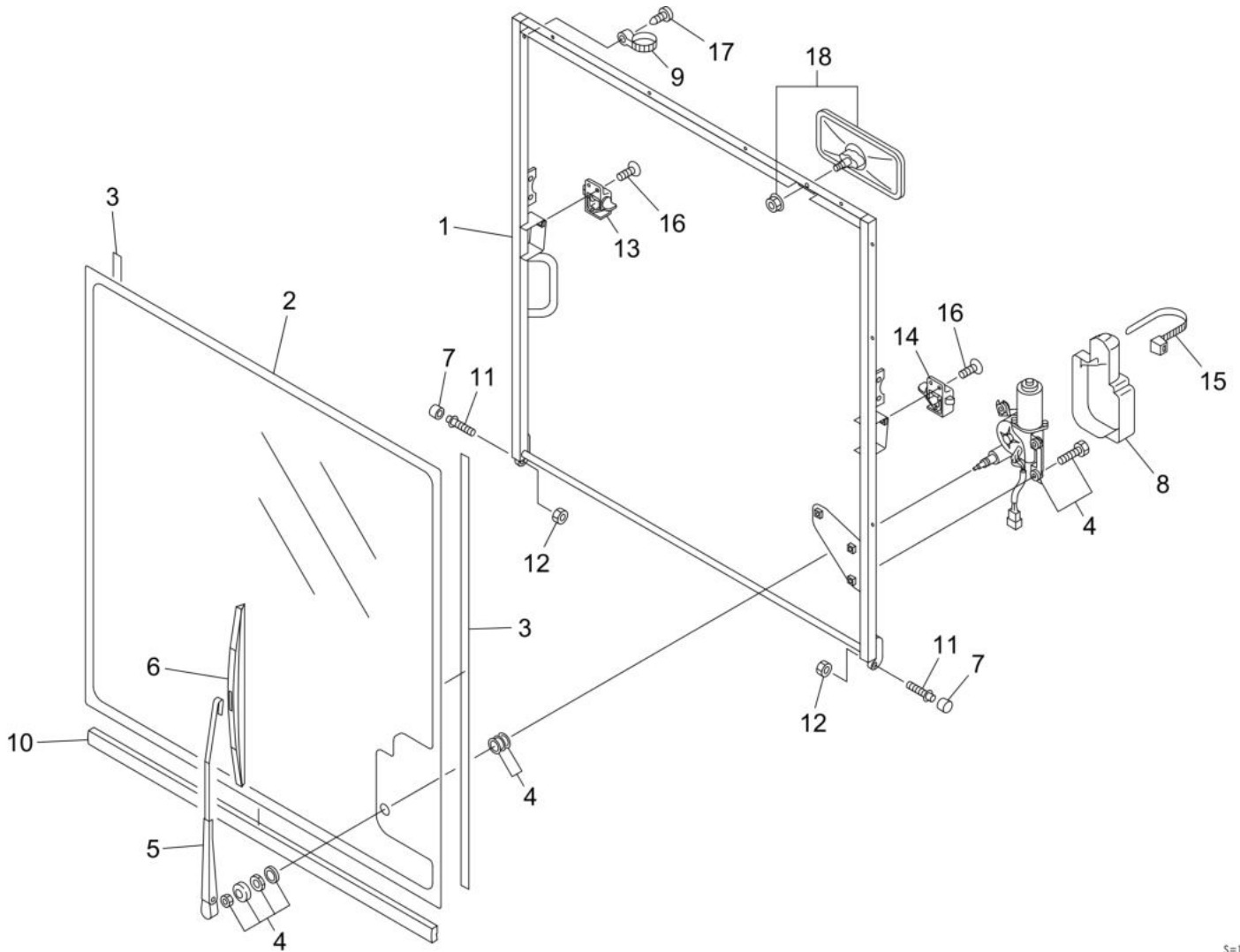
COVER & CAB CAB (2/4) (door)



QOE131

S=1/15

Item	Part No.	Name	Qty	Uom	Remarks	SERIAL NUMBER
0	0558603800	DOOR ASSY	1	EA		
1	0558603810	DOOR	1	EA		
2	0558603910	GLASS (DOOR) (SEE #0558603910TO FOR REDUCED PRICE)	1	EA		
3	1654643000	DAM (1=1 cut meter)	1	EA		
4	0558603911	STRIKER	1	EA		
5	0558603920	WASHER	4	EA		
6	1130090010	NUT	4	EA		
7	0558603921	WASHER	2	EA		
8	0558603902	SEAL	2	EA		
9	0558603912	COLLAR	2	EA		
10	1654605000	STRIP, weather (SOLD BY THE METER)	1	EA		
11	0068620400	LOCK	1	EA		
12	1106690612	BOLT	2	EA		
13	1214000004	PIN, snap	1	EA		
14	0558603913	PIN	1	EA		
15	0558603914	YOKE	1	EA		
16	1110040430	BOLT	1	EA		
17	1131242004	NUT	1	EA		
18	1141110004	WASHER	2	EA		
19	0558603915	ROD	1	EA		
20	0558603916	SNAP	2	EA		
21	1653611527	LOCK	1	EA		
22	0558603940	HANDLE	1	EA		
23	1150410612	BOLT, sems	5	EA		
24	1654011812	WASHER	2	EA		
25	0558603917	COVER	1	EA		
26	0558603970	CONTROL ASSY	1	EA		
27	1654008800	KNOB	1	EA		
28	1150410616	SCREW, sems	2	EA		

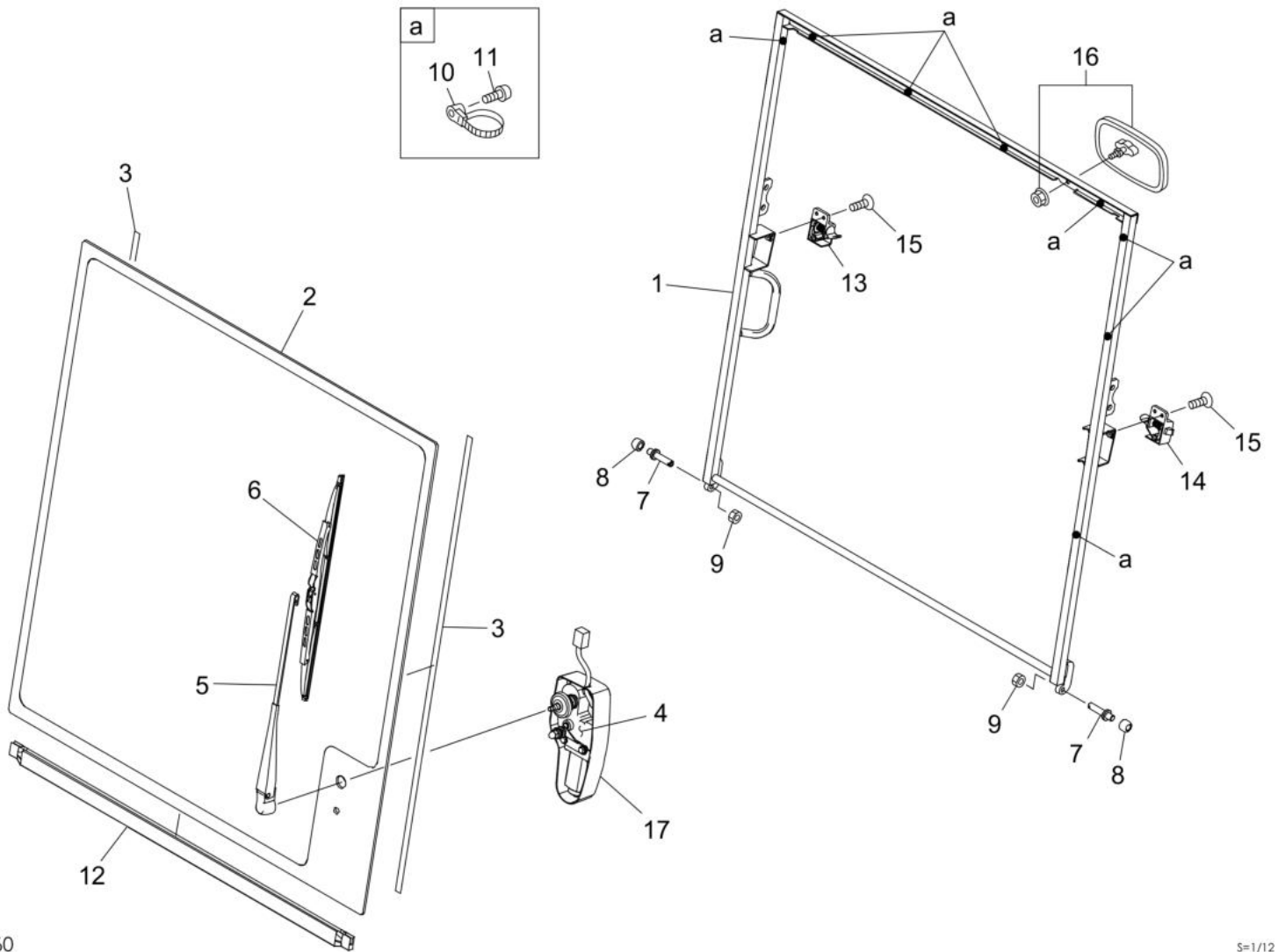


Q0E142

S=1/12

Item	Part No.	Name	Qty	Uom	Remarks	SERIAL NUMBER
0	0568660400	SASH ASSY, front (#0558604100TO FOR REDUCED PRICE)	1	EA		
1	*****	SASH ASSY	1	EA		
2	0568600267	GLASS (FRONT)	1	EA		
3	0558600110	DAM	2	EA		
4	1704051212	MOTOR, wiper	1	EA		
5	1704000100	ARM, wiper	1	EA		
6	1704200530	BLADE	1	EA		
7	0578600084	ROLLER, window	2	EA		
8	0578600085	COVER	1	EA		
9	1652221050	BAND	4	EA		
10	0558600114	SEAL	1	EA		
11	0578600406	BOLT	2	EA		
12	1130090010	NUT	2	EA		
13	0578600490	HANDLE (R.H.)	1	EA		
14	0558604290	LOCK ASSY (L.H.)	1	EA		
15	1652200005	BAND	5	EA		
16	1120890616	SCREW	4	EA		
17	1122400512	SCREW	4	EA		
18	0578600039	MIRROR, room	1	EA		

COVER & CAB CAB (3/4) (front sash) (126100062-)

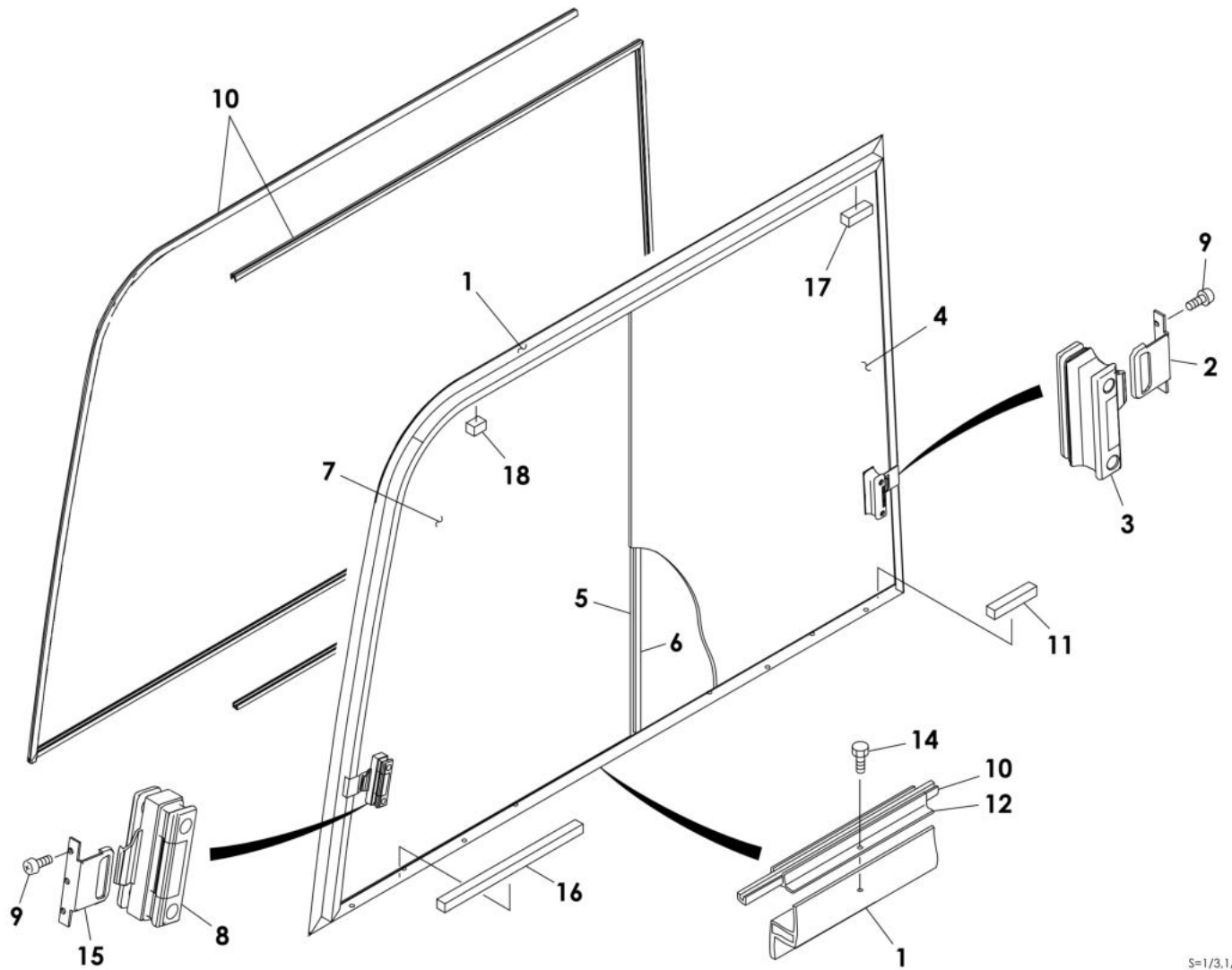


Q0E260

S=1/12

Item	Part No.	Name	Qty	Uom	Remarks	SERIAL NUMBER
0	0568660400	SASH ASSY, front (#0558604100TO FOR REDUCED PRICE)	1	EA		
1	*****	SASH ASSY	1	EA		
2	0558600072	GLASS	1	EA		
3	0558600110	DAM	2	EA		
4	0558600244	MOTOR, wiper	1	EA		
5	0558600245	ARM, wiper	1	EA		
6	0558600246	BLADE	1	EA		
7	0578600406	BOLT	2	EA		
8	0578600084	ROLLER, window	2	EA		
9	1130090010	NUT	2	EA		
10	1652221050	BAND	8	EA		
11	1122400512	SCREW	8	EA		
12	0558600114	SEAL	1	EA		
13	0578600490	HANDLE (R.H.)	1	EA		
14	0558604290	LOCK ASSY (L.H.)	1	EA		
15	1120890616	SCREW	4	EA		
16	0578600039	MIRROR, room	1	EA		
17	0558600247	COVER	1	EA		

COVER & CAB CAB (4/4) (side sash)

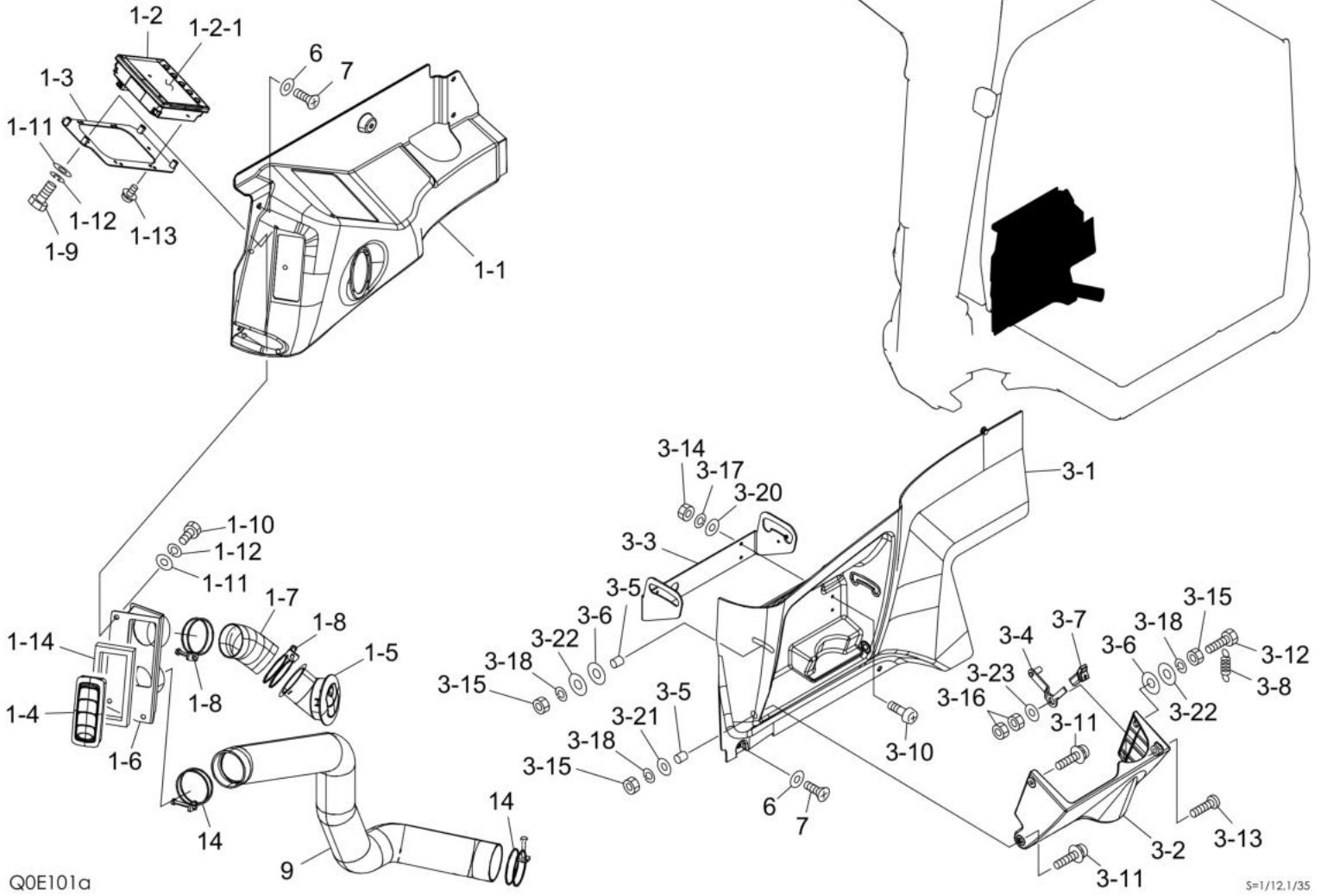


Q0E151

S=1/3,1/10

Item	Part No.	Name	Qty	Uom	Remarks	SERIAL NUMBER
0	0558604300	SASH ASSY, side	1	EA		
1	0558604301	SASH ASSY	1	EA		
2	0358600101	STRIKER	1	EA		
3	0358600102	LOCK ASSY	1	EA		
4	0558600093	GLASS (REAR) (SEE #0558600093TO FOR REDUCED PRICE)	1	EA		
5	0558600094	SEAL	1	EA		
6	0558600095	SEAL	1	EA		
7	0558600096	GLASS (FRONT/SIDE)(#0558600096 TO REDUCED PRICE)	1	EA		
8	0358600107	LOCK ASSY	1	EA		
9	0358600108	SCREW	6	EA		
10	0558604310	GLASS RUN	2	EA		
11	0558604311	RUBBER	1	EA		
12	0558604312	FRAME	1	EA		
14	0558604314	BOLT	8	EA		
15	0358600114	STRIKER	1	EA		
16	0558604316	RUBBER	1	EA		
17	0558604317	RUBBER	1	EA		
18	0558604318	RUBBER	1	EA		

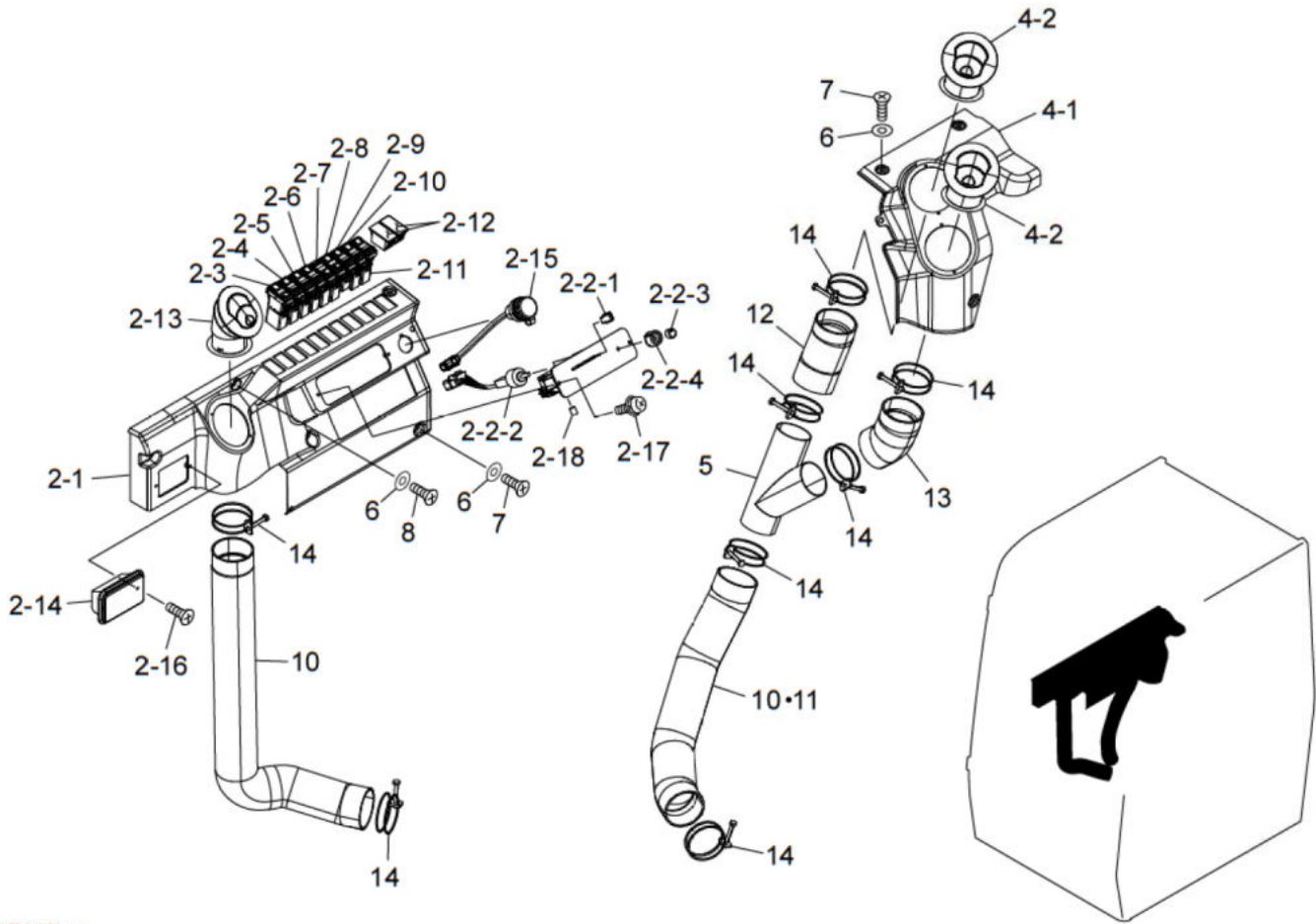
COVER & CAB CAB INTERIOR 1



Item	Part No.	Name	Qty	Uom	Remarks	SERIAL NUMBER
-	PNNA	CAB INTERIOR ASSY		EA		
1	*****	PANEL ASSY	1	EA	incl. (2/3)	
1-1	0558602110	PANEL	1	EA		
1-1	0558600260	PANEL	1	EA	a	126102094~
1-2	1730143660	DISPLAY (DOES NOT INCLUDE REAR VIEW CAMERA)	1	EA	a	126102094~
1-2	1730143650	CLUSTER	1	EA	A	126100003~126102093
1-2-1	1730143652	PANEL KIT	1	EA		126100003~126102093
1-3	0558600046	BRACKET	1	EA	A	126100003~126102093
1-3	0568600329	BRACKET	1	EA	a	126102094~
1-4	1911510001	LOUVER	1	EA		
1-5	1911510003	LOUVER	1	EA		
1-6	0558600069	DUCT	1	EA		
1-7	1566165012	HOSE	1	EA		
1-8	1533001065	BAND	2	EA		
1-9	1100050625	BOLT (10TM6 X 25 P/1.00)	4	EA		
1-10	1100050610	BOLT (10TM6 X 10 P/1.0)	3	EA		
1-11	1141110006	WASHER	7	EA		
1-12	1140020006	WASHER, spring	7	EA		
1-13	1150420410	SCREW	4	EA		
1-14	0558600071	SPONGE	1	EA		
3	*****	PANEL ASSY	1	EA	incl. (2/3)	
3-1	0558602310	PANEL	1	EA		
3-2	0568661120	POCKET	1	EA		
3-3	0568661130	BRACKET	1	EA		
3-4	0378606250	LEVER	1	EA		
3-5	0378606134	COLLAR	3	EA		
3-6	0378606280	SPACER	2	EA		
3-7	1654008800	KNOB	1	EA		
3-8	0007000123	SPRING	1	EA		
3-10	1120530512	SCREW (PHILIPS 4.8 ZINC M5 BY 12MM)	4	EA		
3-11	1150020635	SCREW	3	EA		
3-12	1100040630	BOLT (10TM6 X 30 P/1.0)	1	EA		
3-13	1111820830	BOLT	1	EA		
3-14	1130030005	NUT	4	EA		
3-15	1130040006	NUT	4	EA		
3-16	1130190008	NUT	2	EA		
3-17	1140020005	WASHER, spring	4	EA		

This page intentionally left blank

Item	Part No.	Name	Qty	Uom	Remarks	SERIAL NUMBER
3-18	1140020006	WASHER, spring	4	EA		
3-20	1141110005	WASHER, flat (ZINC) (5MM)	4	EA		
3-21	0003600110	WASHER	2	EA		
3-22	0003600043	WASHER	2	EA		
3-23	0003608252	WASHER	1	EA		
6	1652900016	WASHER	17	EA		
7	1120790620	SCREW	16	EA		
9	1566165090	HOSE	1	EA		
14	1533001065	BAND	10	EA		



Q1E012b-1

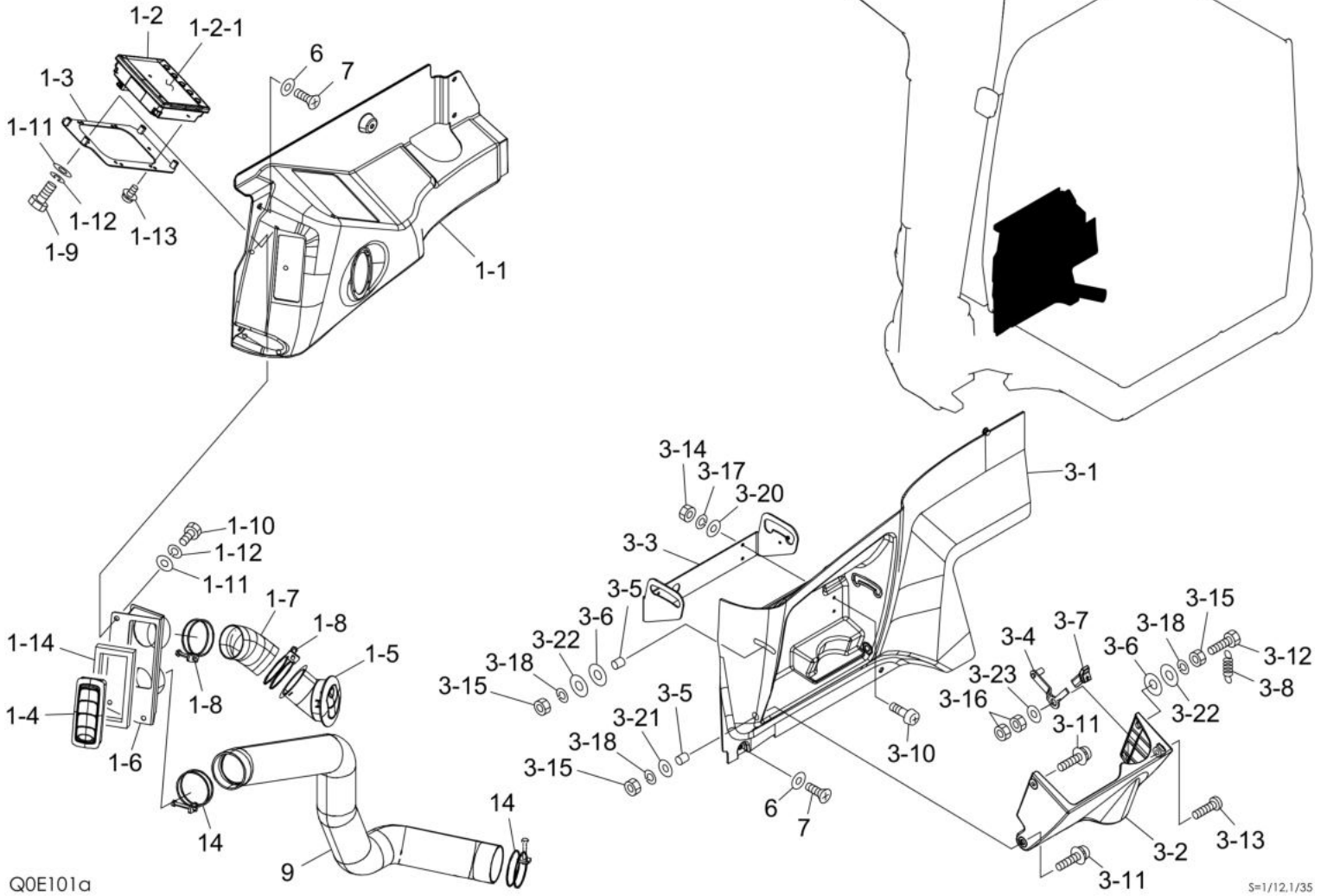
S=1/12,1/35

Item	Part No.	Name	Qty	Uom	Remarks	SERIAL NUMBER
2	*****	PANEL ASSY	1	EA	incl. (2/3)	
2-1	0558602210	PANEL	1	EA		
2-2	*****	PANEL	1	EA	NOT SERVICE	126100003~126100007
2-2	1911514516	PANEL	1	EA		126100007~
2-2-1	1911513429	KNOB	1	EA		
2-2-2	1911513424	SWITCH ASSY	1	EA		
2-2-3	1911513425	KNOB	1	EA		
2-2-4	1911513426	KNOB	1	EA		
2-3	170008232	SWITCH (DPF)	1	EA	DPE	
2-4	170008260	SWITCH (light)	1	EA	light	126100003~126102031
2-4	170008262	SWITCH	1	EA		126102032~
2-5	170008200	SWITCH (wiper)	1	EA	wiper	126100003~126102031
2-5	170008263	SWITCH	1	EA		126102032~
2-6	170008210	SWITCH (window washer)	1	EA	window washer	
2-7	170008220	SWITCH (auto-decel.)	1	EA	auto-decel.	
2-8	170008234	SWITCH (power & highland mode)	1	EA	power and highland mode	
2-9	170008250	SWITCH (detent)	1	EA	service detent	
2-10	170008270	SWITCH (lift alarm)	1	EA	lift alarm	
2-11	170008280	SWITCH	1	EA	beacon lamp	
2-12	170008035	COVER, switch	2	EA		126100003~126100004
2-12	170008129	PLUG	2	EA		126100005~
2-13	1911510003	LOUVER	1	EA		
2-14	1654010500	ASHTRAY	1	EA		
2-15	1711900520	SOCKET ASSY	1	EA		
2-16	1120630412	SCREW, flat (4TM4 X 12 P/0.7)	2	EA		
2-17	1150420412	SCREW, sems	2	EA		
2-18	1911514521	BUSHING	1	EA		126100005~
4	*****	PANEL ASSY	1	EA	incl. (2/3)	
4-1	0558602220	PANEL	1	EA		
4-2	1911510003	LOUVER	2	EA		
5	0558600040	DUCT	1	EA		
6	1652900016	WASHER	17	EA		
7	1120790620	SCREW	16	EA		
8	1120790614	SCREW	1	EA		
10	1566165070	HOSE	1	EA		126100003~126101459
10	1566165070	HOSE	2	EA		126101460~
11	1566165045	HOSE	1	EA		126100003~126101459
12	1566165012	HOSE	1	EA		

This page intentionally left blank

Item	Part No.	Name	Qty	Uom	Remarks	SERIAL NUMBER
13	1566165009	HOSE	1	EA		
14	1533001065	BAND	10	EA		

COVER & CAB CAB INTERIOR (with auto tank switch) 1

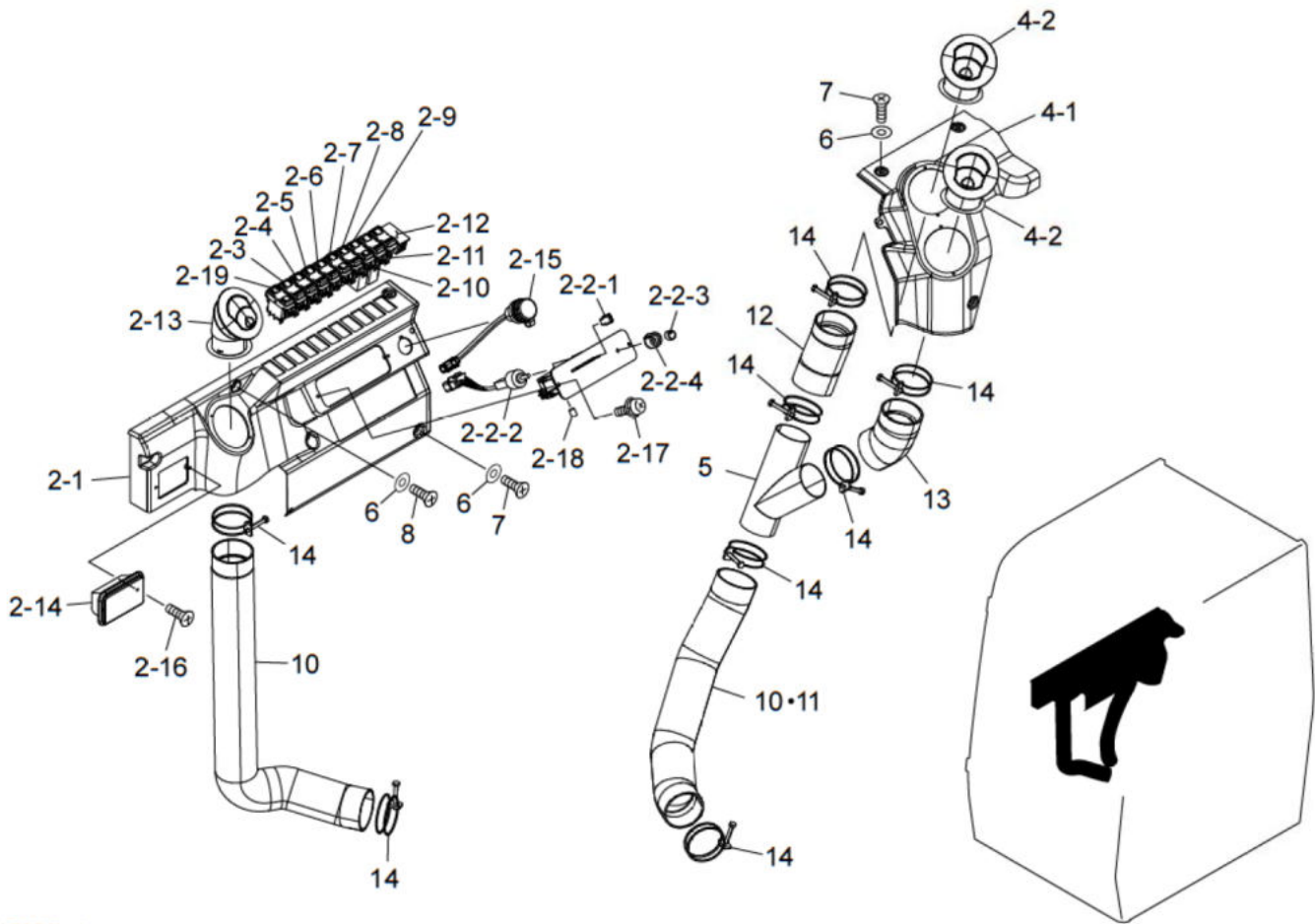


Item	Part No.	Name	Qty	Uom	Remarks	SERIAL NUMBER
-	PNNA	CAB INTERIOR ASSY		EA		
1	*****	PANEL ASSY	1	EA	incl. (2/3)	126100003~126102093
1	*****	PANEL ASSY	1	EA	incl. (2/3)	126102094~
1-1	0558602110	PANEL	1	EA	A	126100003~126102093
1-1	0558600260	PANEL	1	EA	a	126102094~
1-2	1730143650	CLUSTER	1	EA	A; not service	126100003~126102093
1-2	1730143660	DISPLAY (DOES NOT INCLUDE REAR VIEW CAMERA)	1	EA	a	126102094~
1-2-1	1730143652	PANEL KIT	1	EA		126100003~126102093
1-3	0558600046	BRACKET	1	EA	A	126100003~126102093
1-3	0568600329	BRACKET	1	EA	a	126102094~
1-4	1911510001	LOUVER	1	EA		
1-5	1911510003	LOUVER	1	EA		
1-6	0558600069	DUCT	1	EA		
1-7	1566165012	HOSE	1	EA		
1-8	1533001065	BAND	2	EA		
1-9	1100050625	BOLT (10TM6 X 25 P/1.00)	4	EA		
1-10	1100050610	BOLT (10TM6 X 10 P/1.0)	3	EA		
1-11	1141110006	WASHER	7	EA		
1-12	1140020006	WASHER, spring	7	EA		
1-13	1150420410	SCREW	4	EA		
1-14	0558600071	SPONGE	1	EA		
3	*****	PANEL ASSY	1	EA	incl. (2/3)	
3-1	0558602310	PANEL	1	EA		
3-2	0568661120	POCKET	1	EA		
3-3	0568661130	BRACKET	1	EA		
3-4	0378606250	LEVER	1	EA		
3-5	0378606134	COLLAR	3	EA		
3-6	0378606280	SPACER	2	EA		
3-7	1654008800	KNOB	1	EA		
3-8	0007000123	SPRING	1	EA		
3-10	1120530512	SCREW (PHILIPS 4.8 ZINC M5 BY 12MM)	4	EA		
3-11	1150020635	SCREW	3	EA		
3-12	1100040630	BOLT (10TM6 X 30 P/1.0)	1	EA		
3-13	1111820830	BOLT	1	EA		
3-14	1130030005	NUT	4	EA		
3-15	1130040006	NUT	4	EA		
3-16	1130190008	NUT	2	EA		

This page intentionally left blank

Item	Part No.	Name	Qty	Uom	Remarks	SERIAL NUMBER
3-17	1140020005	WASHER, spring	4	EA		
3-18	1140020006	WASHER, spring	4	EA		
3-20	1141110005	WASHER, flat (ZINC) (5MM)	4	EA		
3-21	0003600110	WASHER	2	EA		
3-22	0003600043	WASHER	2	EA		
3-23	0003608252	WASHER	1	EA		
6	1652900016	WASHER	17	EA		
7	1120790620	SCREW	16	EA		
9	1566165090	HOSE	1	EA		
14	1533001065	BAND	10	EA		
-	PNNA	SET "A" is interchangeable with SET "a".		EA		

COVER & CAB CAB INTERIOR (with auto tank switch) 2



Q1E250b-1

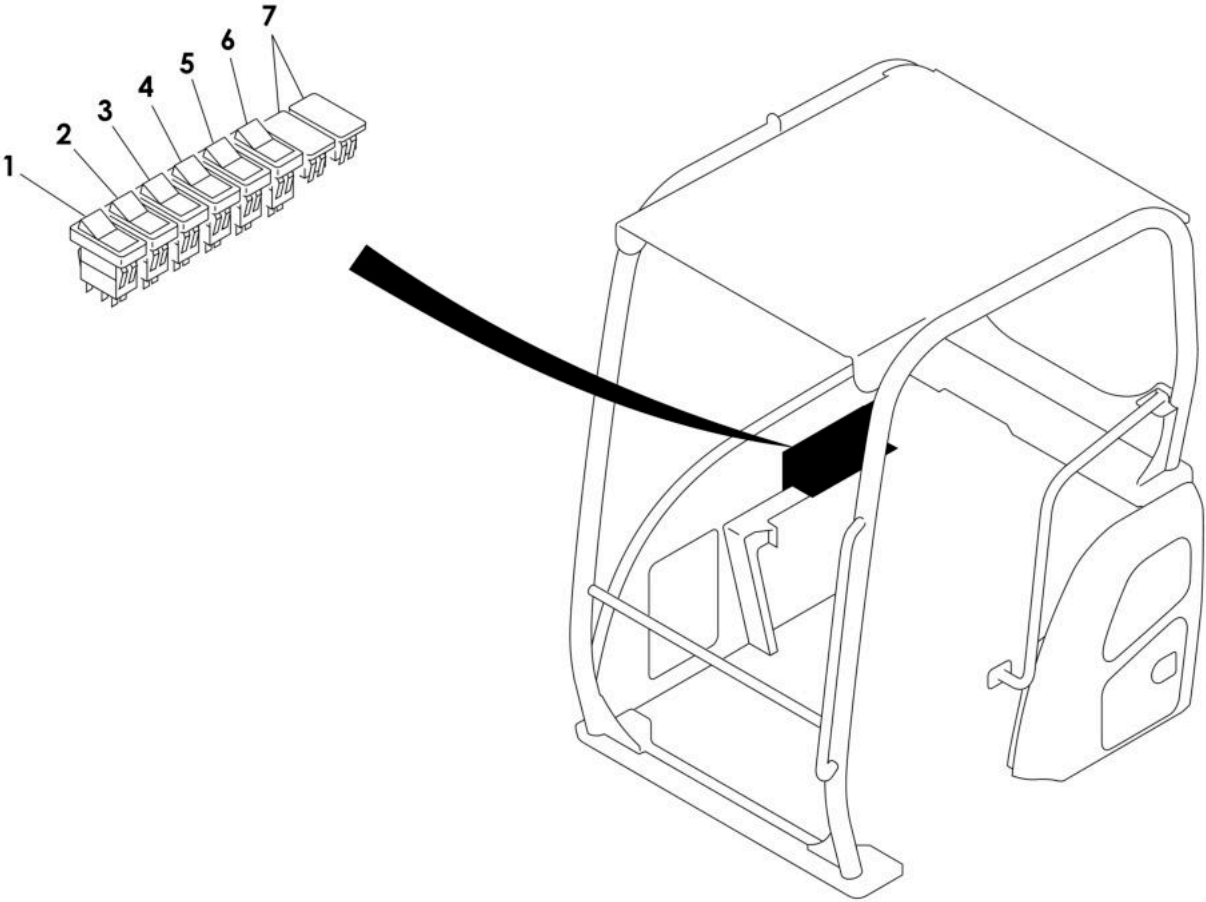
S=1/12,1/35

Item	Part No.	Name	Qty	Uom	Remarks	SERIAL NUMBER
2	*****	PANEL ASSY	1	EA	incl. (2/3)	
2-1	0558602210	PANEL	1	EA		
2-2-1	1911513429	KNOB	1	EA		
2-2-2	1911513424	SWITCH ASSY	1	EA		
2-2-3	1911513425	KNOB	1	EA		
2-2-4	1911513426	KNOB	1	EA		
2-3	170008260	SWITCH (light)	1	EA	light	126100003~126102031
2-3	170008262	SWITCH	1	EA		126102032~
2-4	170008200	SWITCH (wiper)	1	EA	wiper	126100003~126102031
2-4	170008263	SWITCH	1	EA		126102032~
2-5	170008210	SWITCH (window washer)	1	EA	window washer	
2-6	170008220	SWITCH (auto-decel.)	1	EA	auto-decel.	
2-7	170008234	SWITCH (power & highland mode)	1	EA	power and highland mode	
2-8	170008250	SWITCH (detent)	1	EA	service detent	
2-9	170008255	SWITCH (auto tank)	1	EA	auto tank	
2-10	170008270	SWITCH (lift alarm)	1	EA	lift alarm	
2-11	170008280	SWITCH	1	EA	beacon lamp	
2-12	170008129	PLUG	1	EA		
2-13	1911510003	LOUVER	1	EA		
2-14	1654010500	ASHTRAY	1	EA		
2-15	1711900520	SOCKET ASSY	1	EA		
2-16	1120630412	SCREW, flat (4TM4 X 12 P/0.7)	2	EA		
2-17	1150420412	SCREW, sems	2	EA		
2-18	1911514521	BUSHING	1	EA		
2-19	170008232	SWITCH (DPF)	1	EA	DPE	
4	*****	PANEL ASSY	1	EA	incl. (2/3)	
4-1	0558602220	PANEL	1	EA		
4-2	1911510003	LOUVER	2	EA		
5	0558600040	DUCT	1	EA		
6	1652900016	WASHER	17	EA		
7	1120790620	SCREW	16	EA		
8	1120790614	SCREW	1	EA		
10	1566165070	HOSE	1	EA		126100003~126101459
10	1566165070	HOSE	2	EA		126101460~
11	1566165045	HOSE	1	EA		126100003~126101459
12	1566165012	HOSE	1	EA		
13	1566165009	HOSE	1	EA		
14	1533001065	BAND	10	EA		

This page intentionally left blank

Item	Part No.	Name	Qty	Uom	Remarks	SERIAL NUMBER
-	PNNA	SET "A" is interchangeable with SET "a".		EA		

COVER & CAB SWITCH

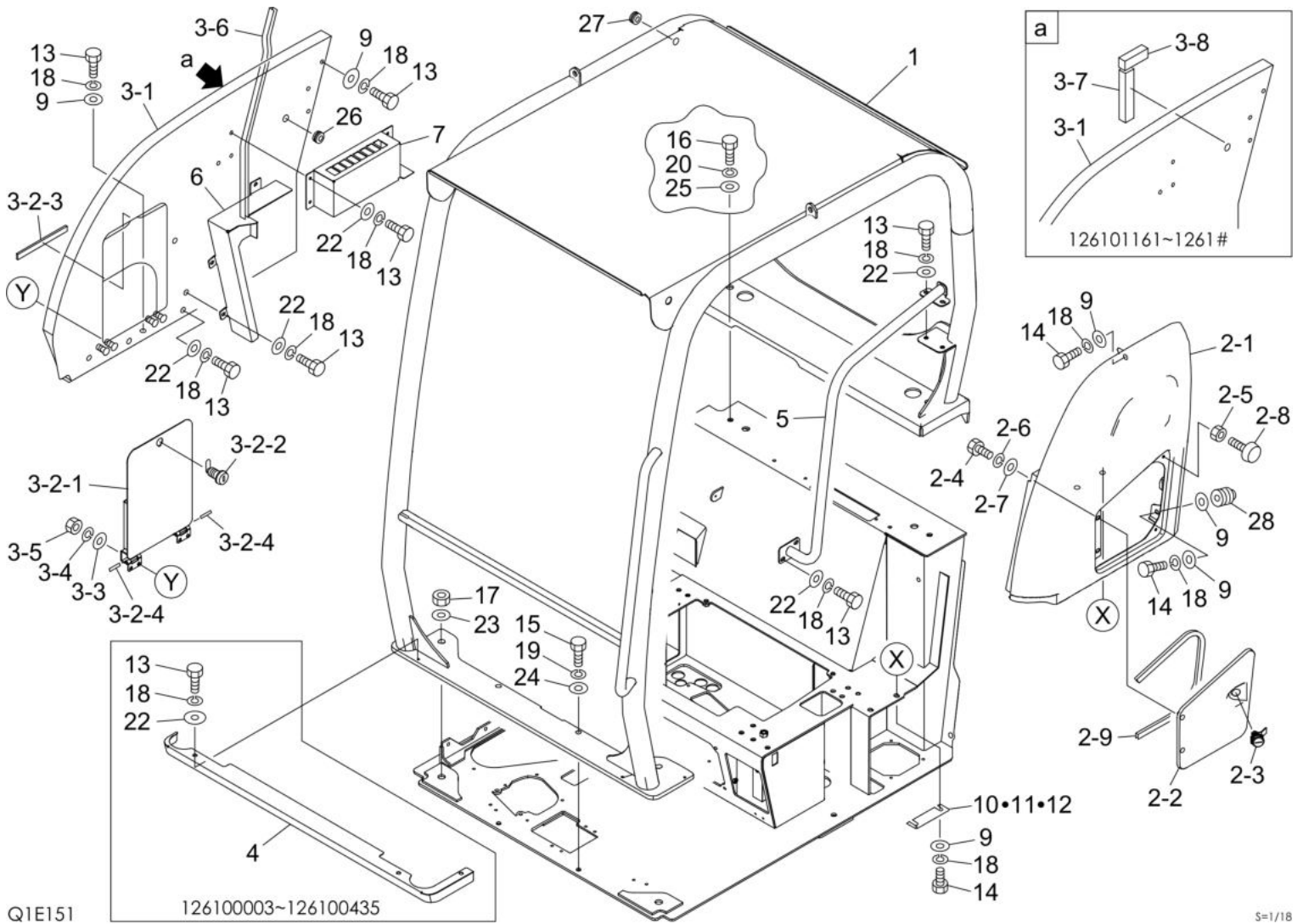


Q1E140

S=1/5,1/20

Item	Part No.	Name	Qty	Uom	Remarks	SERIAL NUMBER
Not Shown	PNNA	SWITCH ASSY		EA		
1	1700008232	SWITCH (DPF)	1	EA	DPF	
2	1700008260	SWITCH (light)	1	EA	light	
3	1700008220	SWITCH (auto-decel.)	1	EA	auto-decel.	
4	1700008234	SWITCH (power & highland mode)	1	EA	power, highland	
5	1700008250	SWITCH (detent)	1	EA	service detent	
6	1700008270	SWITCH (lift alarm)	1	EA	lift alarm	
7	1700008129	PLUG	2	EA		

COVER & CAB CANOPY



Q1E151

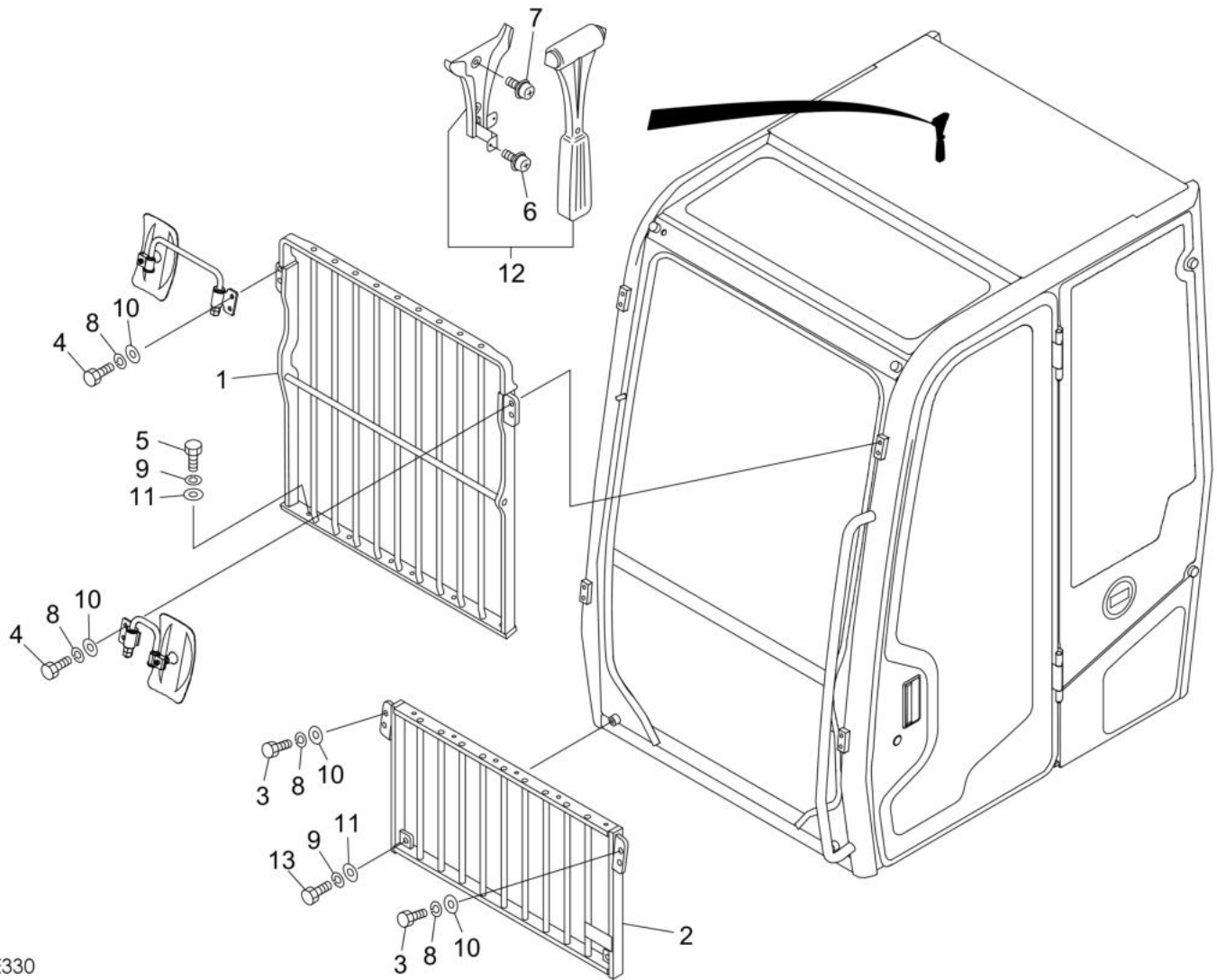
S=1/18

Item	Part No.	Name	Qty	Uom	Remarks	SERIAL NUMBER
-	PNNA	CANOPY ASSY		EA		
1	0558400085	CANOPY	1	EA		
2	0378400019	COVER ASSY	1	EA		
2-1	0378400072	COVER, side	1	EA		
2-2	0378400033	COVER	1	EA		
2-3	0378219330	LOCK ASSY	1	EA		
2-4	1100050820	BOLT (10TM8 X 20 P/1.25)	2	EA		
2-5	1130030005	NUT	2	EA		
2-6	1140020008	WASHER, spring	2	EA		
2-7	1141110008	WASHER	2	EA		
2-8	1652515100	CUSHION, rubber	2	EA		
2-9	1653916068	TRIM	1	EA	sold by the meter	
3	0558400081	COVER ASSY	1	EA		
3-1	0558400078	COVER	1	EA		
3-2-1	0558400075	COVER	1	EA		
3-2-2	1653611836	LOCK	1	EA		
3-2-3	0558400112	SPONGE	1	EA		
3-2-4	0558400126	SPONGE	2	EA		
3-3	1141110008	WASHER	4	EA		
3-4	1140020008	WASHER, spring	4	EA		
3-5	1130140008	NUT (polycarbonate type)	4	EA		
3-6	1654605000	STRIP, weather (SOLD BY THE METER)	1	EA	sold by the meter	
3-7	0554000318	SPONGE	1	EA		126101161~1261#
3-8	0554000319	SPONGE	1	EA		126101161~1261#
4	0558400100	POLE	1	EA		126100003~126100435
5	0558400102	HANDRAIL	1	EA		
6	0558400057	PLATE	1	EA		
7	0558400083	PLATE ASSY	1	EA		
9	0003608252	WASHER	8	EA		
10	0003900072	SPACER	1	EA	t=3.2mm	
11	0003900073	SPACER	1	EA	t=2.3mm	
12	0003900074	SPACER	1	EA	t=1.6mm	
13	1100050820	BOLT (10TM8 X 20 P/1.25)	16	EA		
14	1100050830	BOLT (10TM8 X 30 P/1.25)	4	EA		
15	1100051040	BOLT (10TM10 X 40 P/1.5)	2	EA		
16	1101051230	BOLT (10TM12 X 30 P/1.5)	2	EA		
17	1130050016	NUT	2	EA		
18	1140020008	WASHER, spring	20	EA		

This page intentionally left blank

Item	Part No.	Name	Qty	Uom	Remarks	SERIAL NUMBER
19	1140020010	WASHER, spring	2	EA		
20	1140020012	WASHER, spring (12MM)	2	EA		
22	1141110008	WASHER	14	EA		
23	1141550016	WASHER (HEAT M16)	2	EA		
24	0003900035	WASHER (10MM)	2	EA		
25	1141110012	WASHER	2	EA		
26	1652051800	GROMMET	1	EA		
27	1652052200	GROMMET	1	EA		
28	1652520008	NUT	1	EA		

COVER & CAB FRONT GUARD

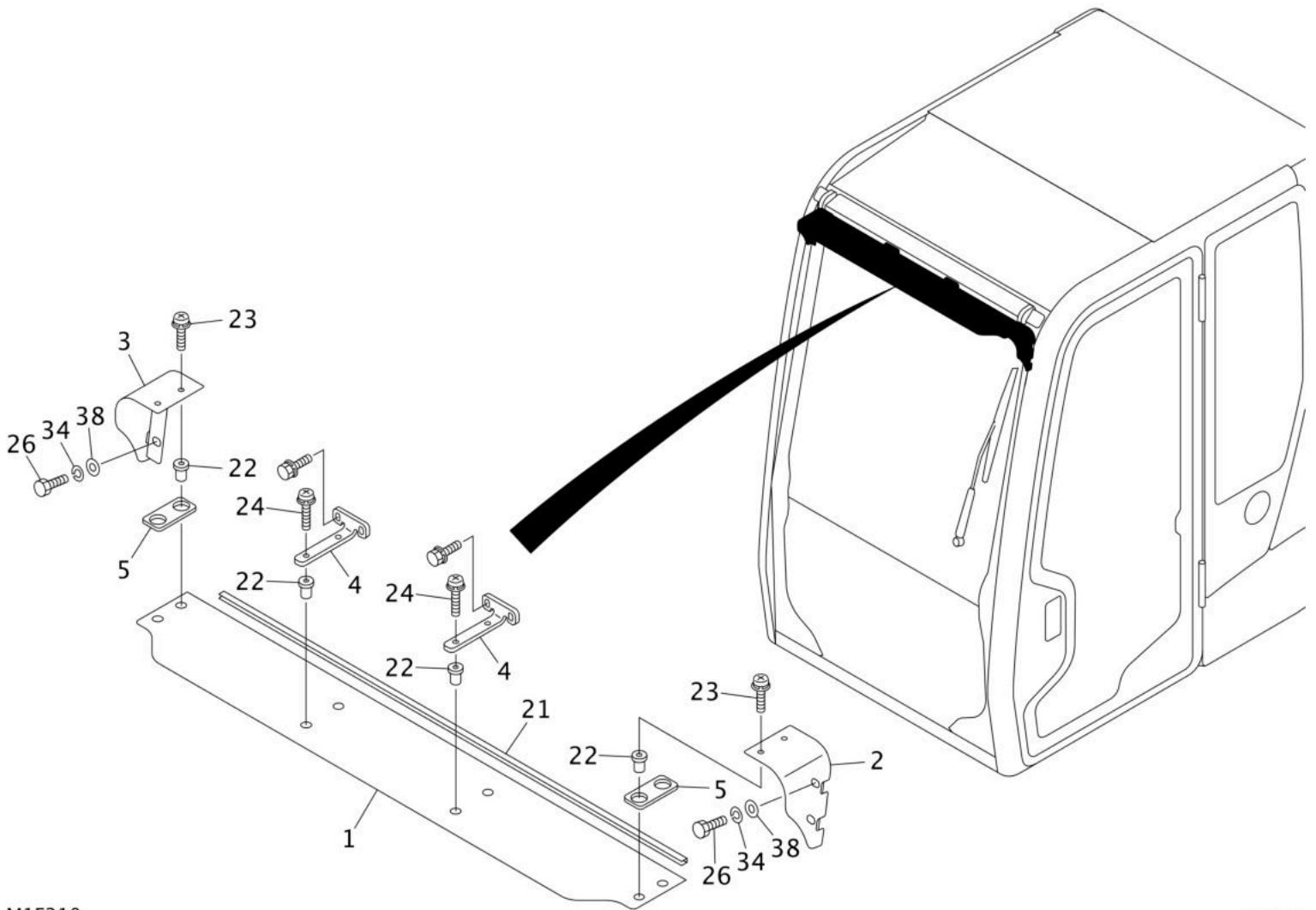


QOE330

S=1/5.1/20

Item	Part No.	Name	Qty	Uom	Remarks	SERIAL NUMBER
0	*****	GUARD ASSY, FRONT	1	EA		
1	0558600085	GUARD	1	EA		
2	0558600086	GUARD	1	EA		
3	1100051030	BOLT	4	EA		
4	1100051035	BOLT (10TM10 X 35 P/1.5)	4	EA		
5	1100051225	BOLT (10TM12 X 25 P/1.75)	6	EA		
6	1122410304	SCREW	1	EA		
7	1122410412	SCREW	2	EA		
8	1140020010	WASHER, spring	8	EA		
9	1140020012	WASHER, spring (12MM)	8	EA		
10	1141110010	WASHER, plain	8	EA		
11	1141110012	WASHER	8	EA		
12	1654011920	HAMMER	1	EA		
13	1100051230	BOLT (10.9 M12 X 30MM)	2	EA		

COVER & CAB RAIN GUARD

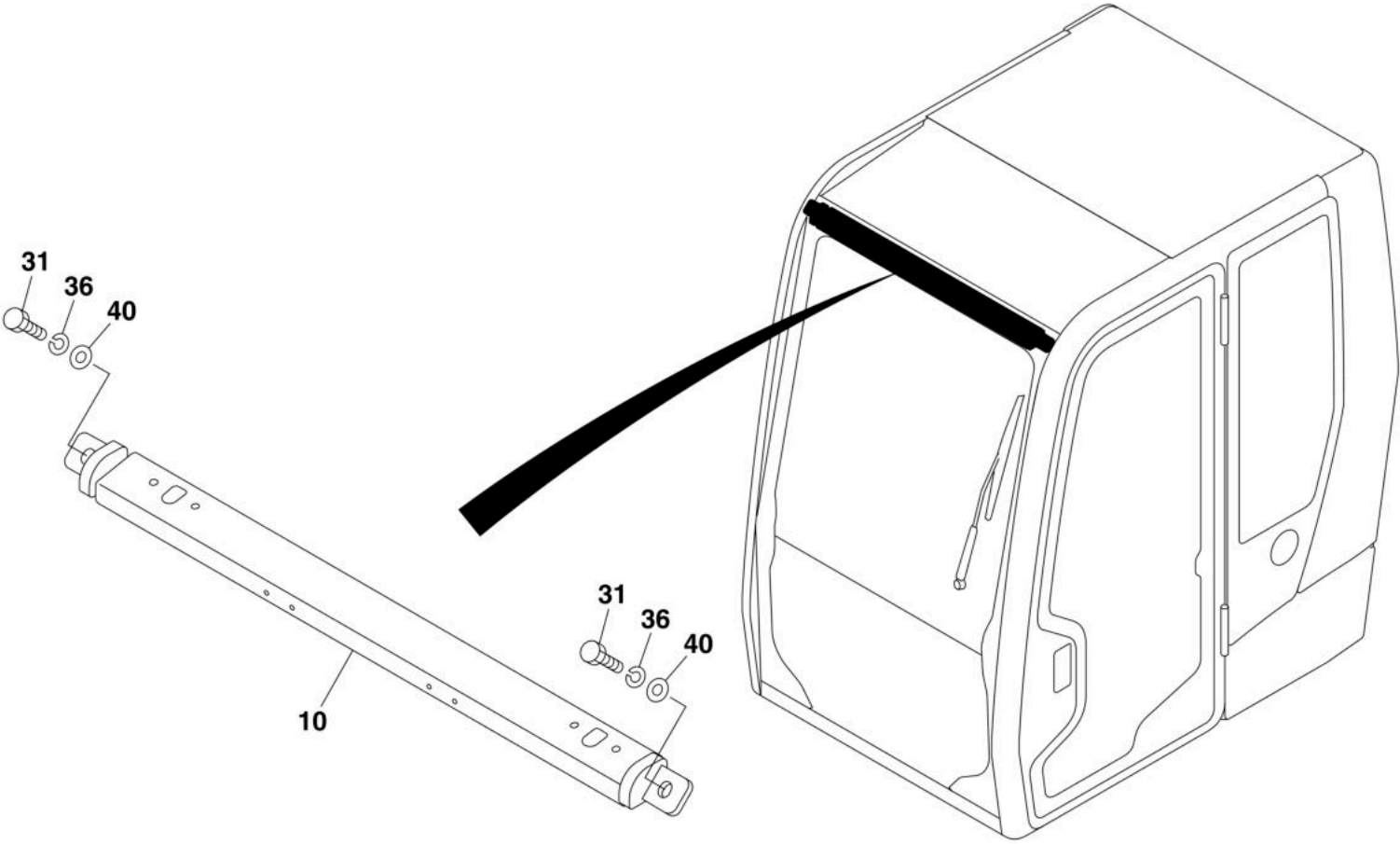


M1E210

S=1/8, 1/2

Item	Part No.	Name	Qty	Uom	Remarks	SERIAL NUMBER
Not Shown	PNNA	GUARD ASSY, rain		EA		
1	0568662190	GUARD	1	EA		
2	0568662200	STAY (L.H.)	1	EA		
3	0568662210	STAY (R.H.)	1	EA		
4	0568662520	BRACKET	2	EA		
5	0568662530	RUBBER	2	EA		
21	1654619079	SEAL (SOLD BY THE METER)	1	EA	sold by the meter	
22	1652520006	NUT	8	EA		
23	1150410625	SCREW	4	EA		
24	1150410630	SCREW	4	EA		
26	1100050820	BOLT (10TM8 X 20 P/1.25)	4	EA		
34	1140020008	WASHER, spring	4	EA		
38	1141110008	WASHER	4	EA		

COVER & CAB FRONT STAY

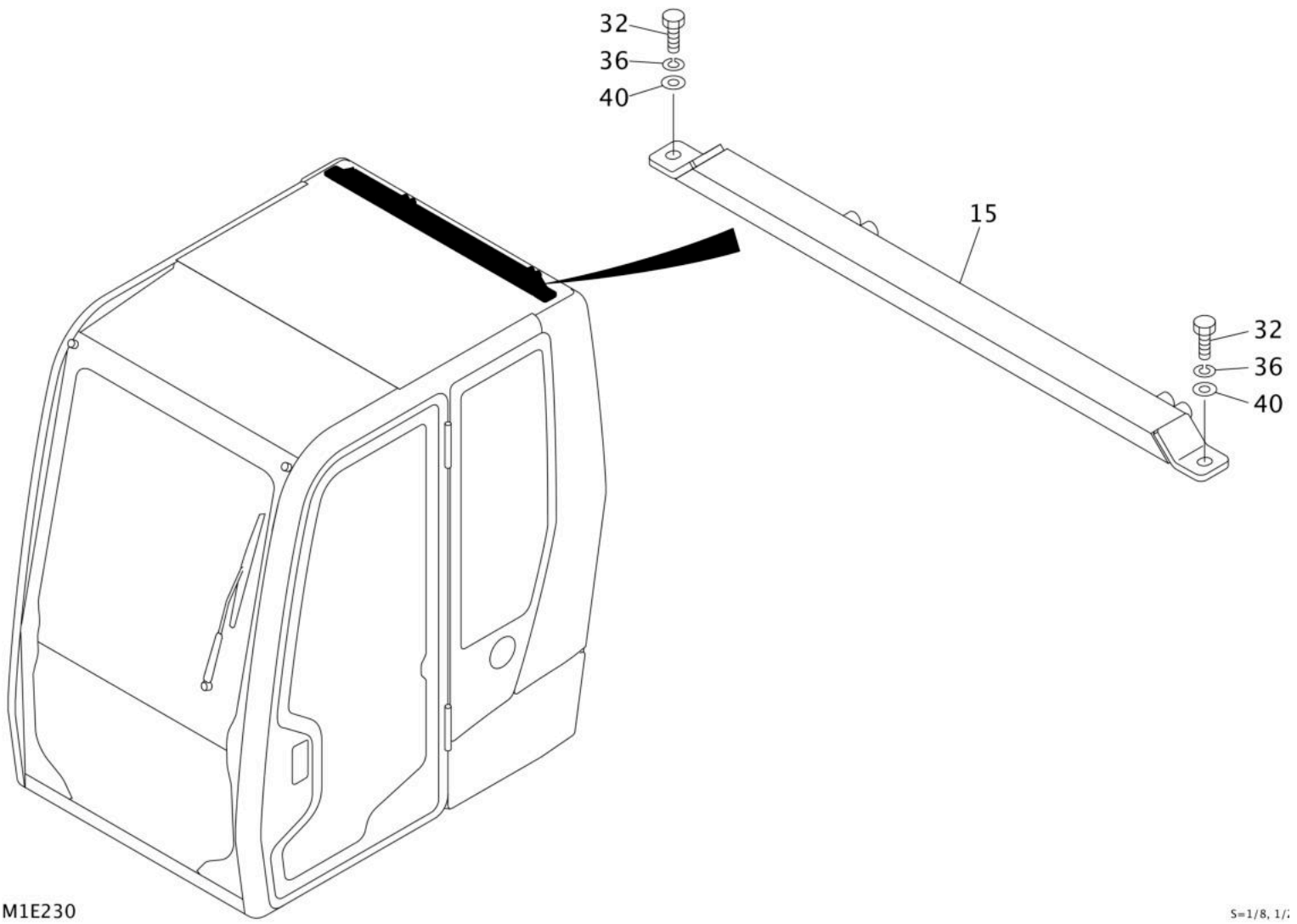


M1E220

S=1/8, 1/20

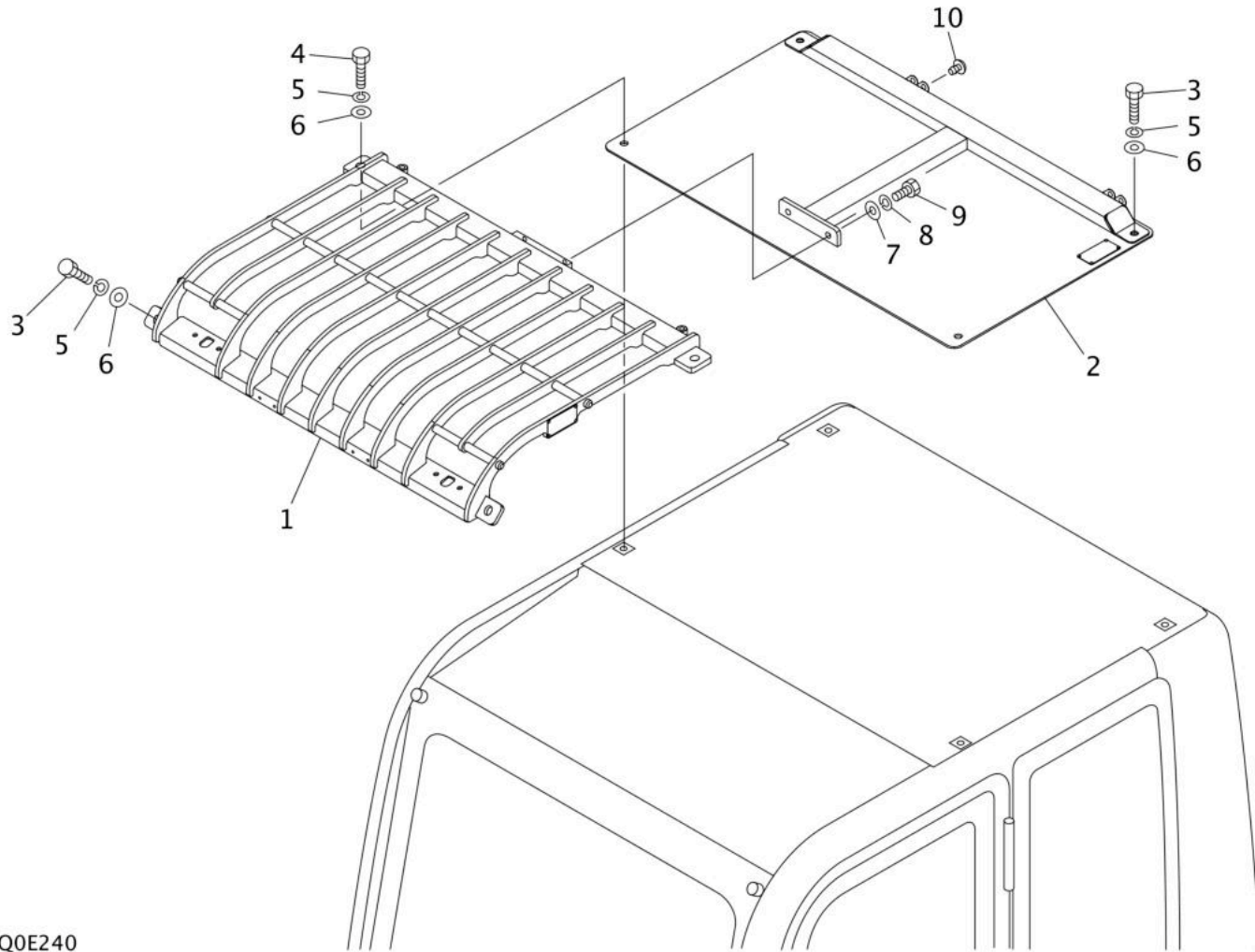
Item	Part No.	Name	Qty	Uom	Remarks	SERIAL NUMBER
Not Shown	PNNA	STAY ASSY, front		EA		
10	0568662710	STAY	1	EA		
31	1100051230	BOLT (10.9 M12 X 30MM)	2	EA		
36	1140020012	WASHER, spring (12MM)	2	EA		
40	1141110012	WASHER	2	EA		

COVER & CAB REAR STAY



Item	Part No.	Name	Qty	Uom	Remarks	SERIAL NUMBER
Not Shown	PNNA	STAY ASSY, rear		EA		
15	0568662910	STAY	1	EA		
32	1100051240	BOLT (10TM12 X 40 P/1.75)	2	EA		
36	1140020012	WASHER, spring (12MM)	2	EA		
40	1141110012	WASHER	2	EA		

COVER & CAB ROOF GUARD

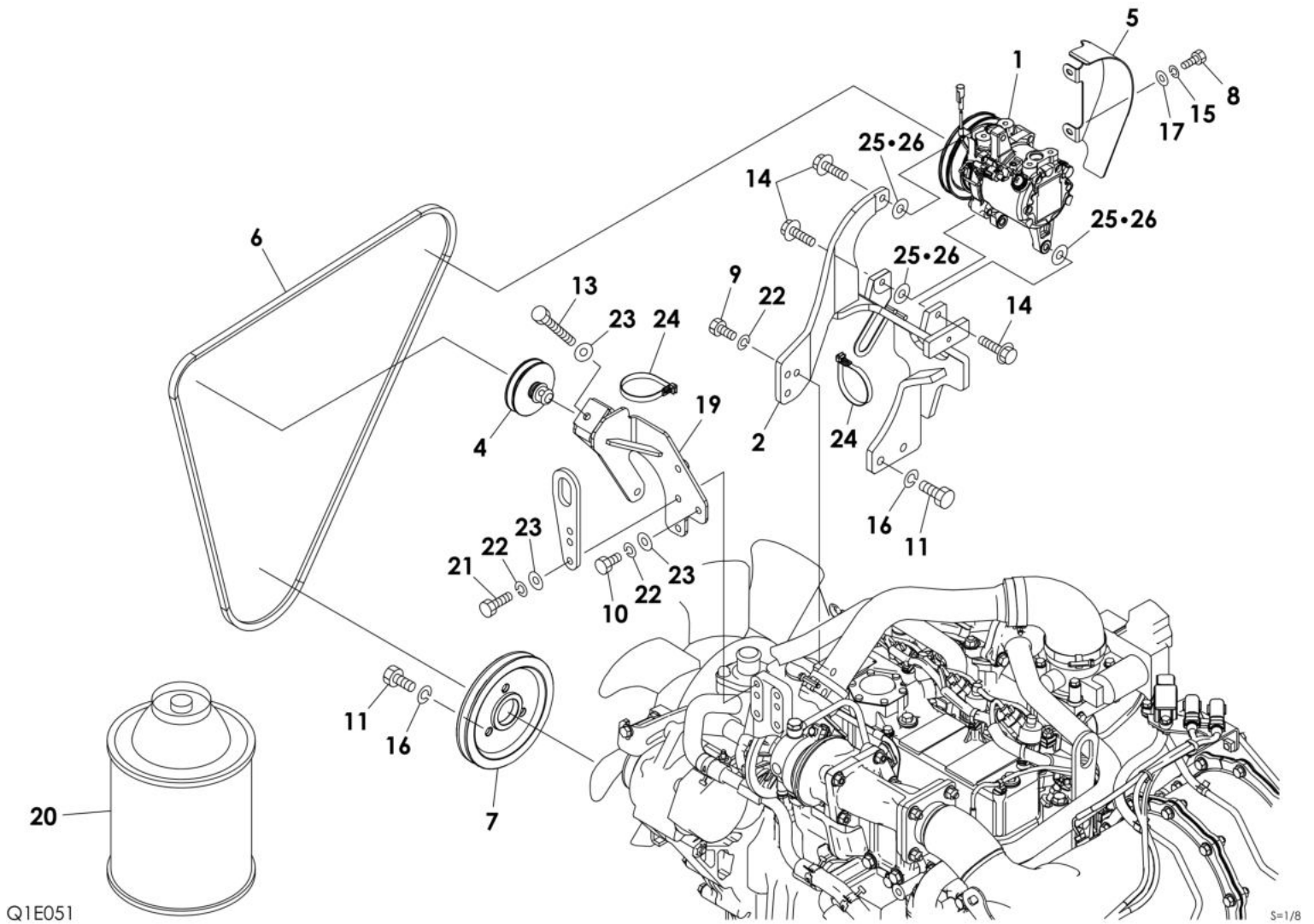


Q0E240

S=1/1

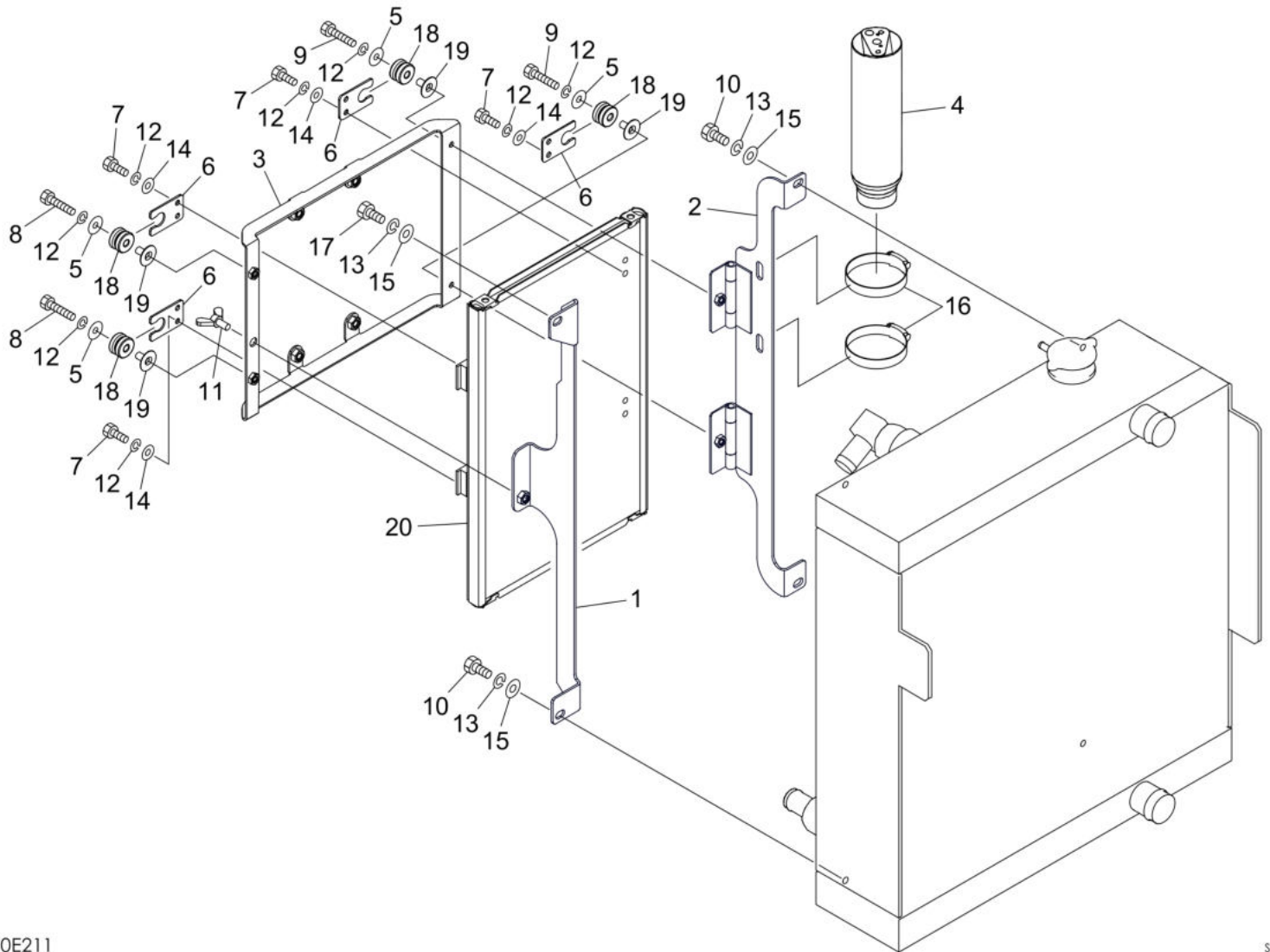
Item	Part No.	Name	Qty	Uom	Remarks	SERIAL NUMBER
Not Shown	PNNA	GUARD ASSY, roof	1	EA		
1	0558600213	GUARD, roof	1	EA		
2	0558600214	GUARD, roof	1	EA		
3	1100051230	BOLT (10.9 M12 X 30MM)	4	EA		
4	1100051240	BOLT (10TM12 X 40 P/1.75)	2	EA		
5	1140020012	WASHER, spring (12MM)	6	EA		
6	1141110012	WASHER	6	EA		
7	1141110010	WASHER, plain	2	EA		
8	1140020010	WASHER, spring	2	EA		
9	1100051025	BOLT (10TM10 X 25 P/1.5)	2	EA		
10	1653303010	CAP	4	EA		

COVER & CAB AIR CONDITIONER (1/4) (compressor)



Item	Part No.	Name	Qty	Uom	Remarks	SERIAL NUMBER
0-1	0554600060	COMPRESSOR ASSY	1	EA		
1	1911513010	COMPRESSOR	1	EA		
2	0554600058	BRACKET	1	EA		
4	1911513040	PULLEY, idle	1	EA		
5	0554600044	PLATE ASSY	1	EA		
6	1621075061	V-BELT	1	EA		
7	0554600049	PULLEY	1	EA		
8	1100040614	BOLT	2	EA		
9	1100050820	BOLT (10TM8 X 20 P/1.25)	2	EA		
10	1100090816	BOLT	2	EA		
11	1100051020	BOLT (10TM10 X 20 P/1.5)	5	EA		
13	1100240885	BOLT	1	EA		
14	1106640825	BOLT	3	EA		
15	1140020006	WASHER, spring	2	EA		
16	1140020010	WASHER, spring	5	EA		
17	1141110006	WASHER	2	EA		
19	0554600081	BRACKET	1	EA		
20	*****	GAS	7	EA	not service, incl. (2/3)	
21	1100050825	BOLT (10TM8 X 25 P/1.25)	2	EA		
22	1140020008	WASHER, spring	6	EA		
23	1141110008	WASHER	5	EA		
24	1652231250	BAND (1st aux. Proportion)	2	EA		
25	0003600223	SHIM (t=0.3mm)	1	EA	t=0.3mm	
26	0003600222	SHIM (t=0.2)	1	EA	t=0.2mm	

COVER & CAB AIR CONDITIONER (2/4) (condenser)

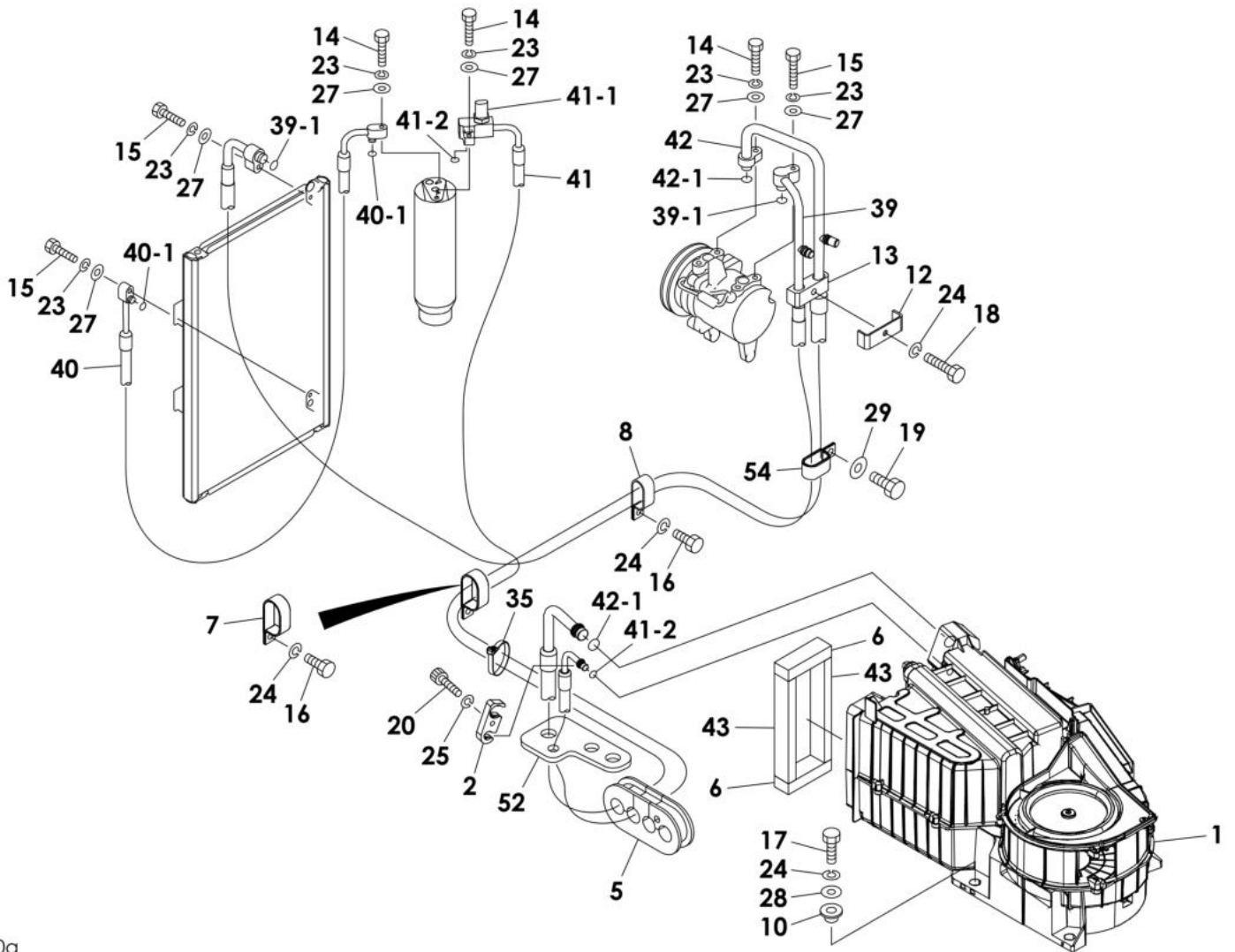


Q0E211

S=1/8

Item	Part No.	Name	Qty	Uom	Remarks	SERIAL NUMBER
0-2	0554600028	CONDENSER ASSY	1	EA		
1	0554600054	BRACKET	1	EA		126100003~126100007
1	0554600075	BRACKET	1	EA		126100008~
2	0554600017	BRACKET	1	EA		
3	0554600057	BRACKET	1	EA		
4	1911513025	DRYER	1	EA		126100003~126100007
4	1911514513	DRYER	1	EA		126100008~
5	0003606202	WASHER	4	EA		
6	0554602240	PLATE	4	EA		
7	1100040614	BOLT	8	EA		
8	1100040630	BOLT (10TM6 X 30 P/1.0)	2	EA		
9	1100050635	BOLT (10TM6 X 35 P/1.0)	2	EA		
10	1100090816	BOLT	3	EA		
11	1121530816	BOLT, wing	1	EA		
12	1140020006	WASHER, spring	12	EA		
13	1140020008	WASHER, spring	4	EA		
14	1141110006	WASHER	8	EA		
15	1141110008	WASHER	4	EA		
16	1533700071	CLAMP	2	EA		
17	1100050820	BOLT (10TM8 X 20 P/1.25)	1	EA		
18	1911513021	GROMMET	4	EA		
19	1911513022	BUSHING	4	EA		
20	1911513020	CONDENSER	1	EA		

COVER & CAB AIR CONDITIONER (3/4) (air-conditioner unit-1) 1

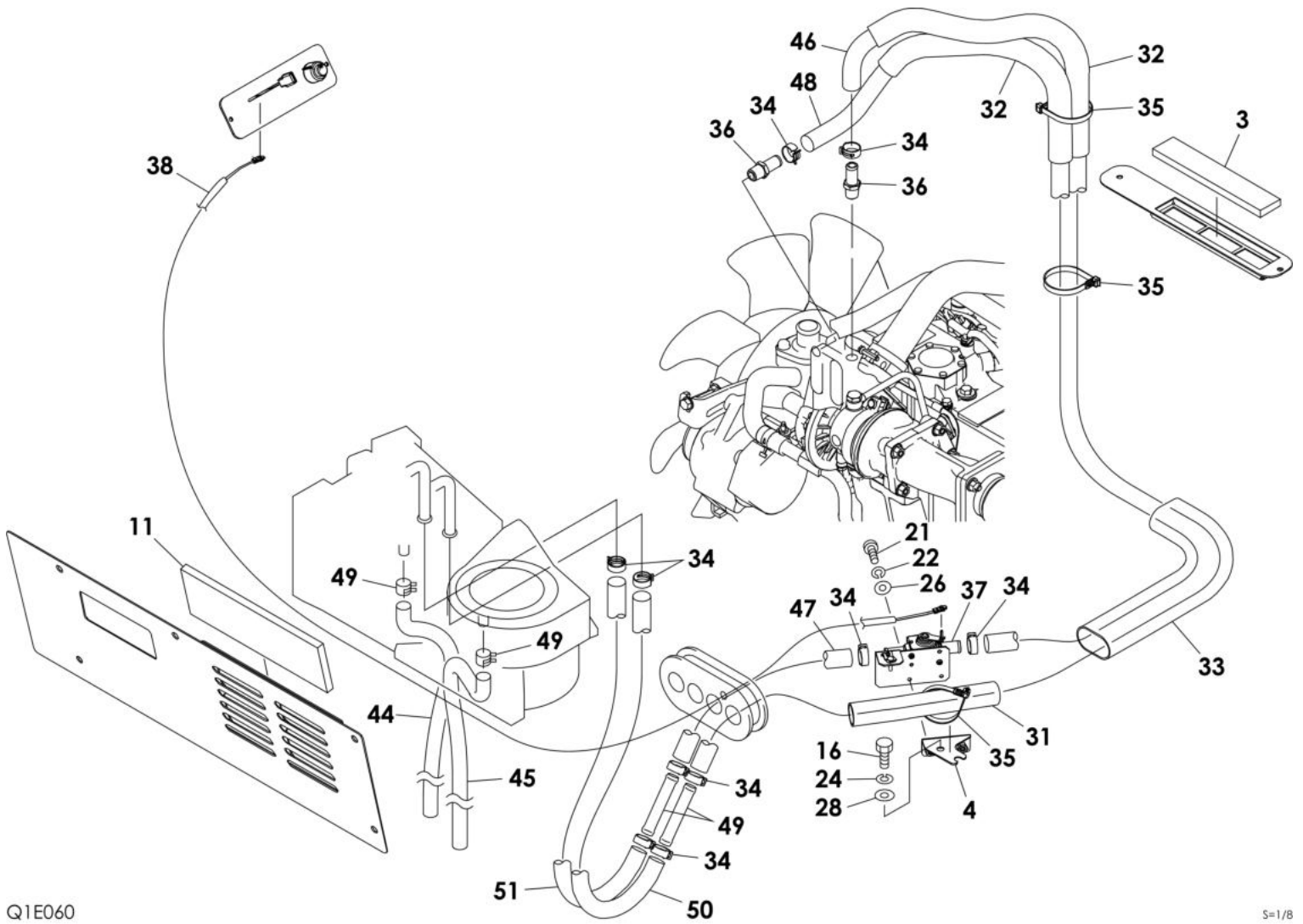


Q0E220a

S=1/10

Item	Part No.	Name	Qty	Uom	Remarks	SERIAL NUMBER
0-3	0554600029	UNIT ASSY, air conditioner	1	EA		
1	1911514508	UNIT, air conditioner	1	EA	see page (4/4)	
2	1911513130	CONNECTOR	1	EA		
5	0554600036	GUARD	1	EA		
6	0554600042	SPONGE	2	EA		
7	0007300065	CLAMP	1	EA		
8	0007300019	CLAMP	1	EA		
10	0554602350	COLLAR	5	EA		
12	0564612250	PLATE	1	EA		
13	0564612260	PLATE, rubber	1	EA		
14	1100050625	BOLT (10TM6 X 25 P/1.00)	3	EA		
15	1100040630	BOLT (10TM6 X 30 P/1.0)	3	EA		
16	1100090816	BOLT	4	EA		
17	1100050825	BOLT (10TM8 X 25 P/1.25)	5	EA		
18	1100050835	BOLT (10TM8 X 35 P/1.25)	1	EA		
19	1100051020	BOLT (10TM10 X 20 P/1.5)	1	EA		
20	1110040625	BOLT, socket (10TM6 X 25 P/1.0)	1	EA		
23	1140020006	WASHER, spring	6	EA		
24	1140020008	WASHER, spring	10	EA		
25	1140020006	WASHER, spring	1	EA		
27	1141110006	WASHER	6	EA		
28	1141110008	WASHER	7	EA		
29	1141110010	WASHER, plain	1	EA		
35	1652231250	BAND (1st aux. Proportion)	4	EA		
39	1911514505	HOSE (A/C)	1	EA		
39-1	1911513085	O-RING	1	EA		
40	1911514507	HOSE (A/C)	1	EA		
40-1	1911513447	O-RING	1	EA		
41	1911514506	HOSE (A/C)	1	EA		
41-1	1911513452	SWITCH, pressure	1	EA		
41-2	1911513447	O-RING	1	EA		
42	1911514504	HOSE ASSY (A/C)	1	EA		
42-1	1911513055	O-RING	1	EA		
43	0554600043	SPONGE	2	EA		
52	0554600062	SPONGE	1	EA		
54	0007300018	CLAMP	1	EA		

COVER & CAB AIR CONDITIONER (3/4) (air-conditioner unit-1) 2

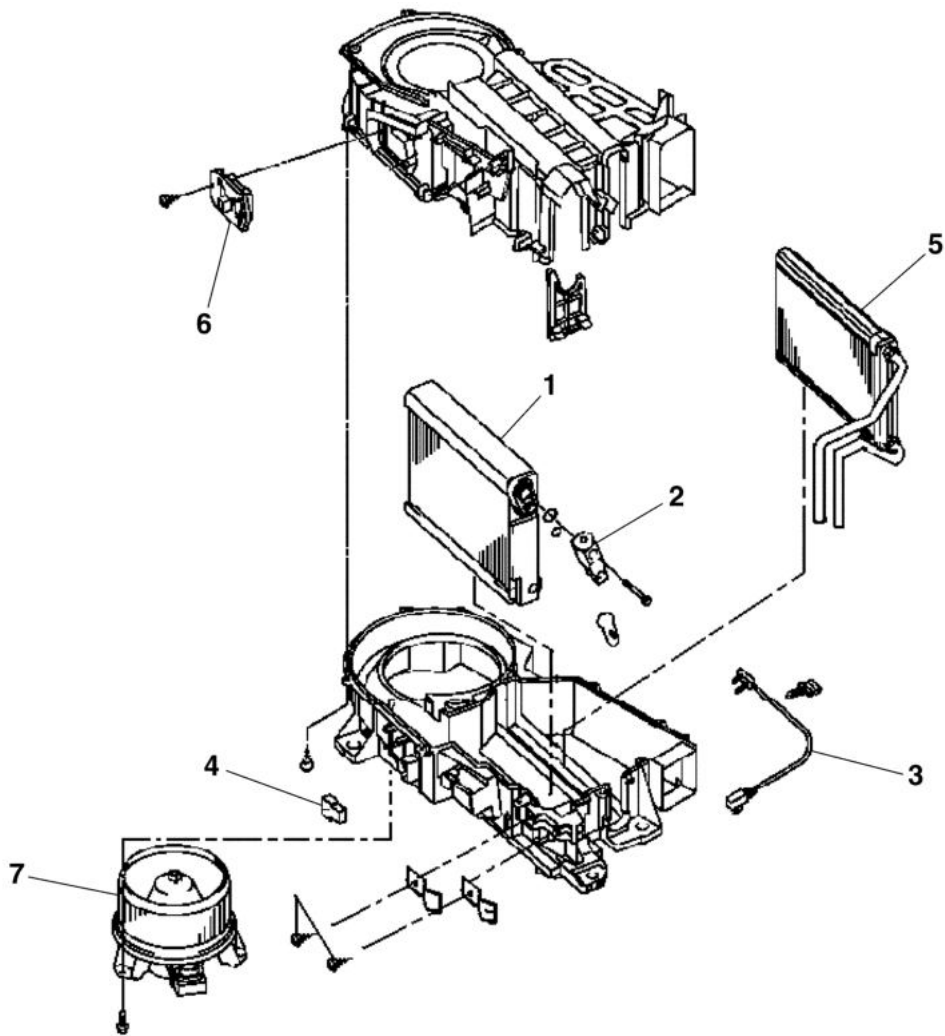


Q1E060

S=1/8

Item	Part No.	Name	Qty	Uom	Remarks	SERIAL NUMBER
3	0554600025	FILTER	1	EA		
4	0554600030	BRACKET	1	EA		
11	0554603101	FILTER	1	EA		
16	1100090816	BOLT	4	EA		
21	1120590410	SCREW (PHILIPS 4.8 M4 BY 10MM)	2	EA		
22	1140020004	WASHER, spring	2	EA		
24	1140020008	WASHER, spring	10	EA		
26	1141110004	WASHER	2	EA		
28	1141110008	WASHER	7	EA		
31	1531325000	PROTECTOR (SOLD BY THE METER)	1	EA	sold by the meter	
32	1531325000	PROTECTOR (SOLD BY THE METER)	2	EA	sold by the meter	
33	1531645085	PROTECTOR	1	EA	sold by the meter	
34	1533120020	BAND	10	EA		
35	1652231250	BAND (1st aux. Proportion)	4	EA		
36	1911502200	NIPPLE	2	EA		
37	1911513120	VALVE, water	1	EA		
38	1911513430	CABLE	1	EA		
44	1911514518	HOSE	1	EA	sold by the meter	
45	1911514517	HOSE ASSY	1	EA	sold by the meter	
46	1911501800	HOSE, heater (SOLD BY THE METER)	1	EA		
47	1911505128	HOSE	1	EA		
48	1911505160	HOSE	1	EA		
49	0394617670	PIPE	2	EA		
50	1911505155	HOSE	1	EA		
51	1911501800	HOSE, heater (SOLD BY THE METER)	1	EA		

COVER & CAB AIR CONDITIONER (4/4) (air-conditioner unit-2)

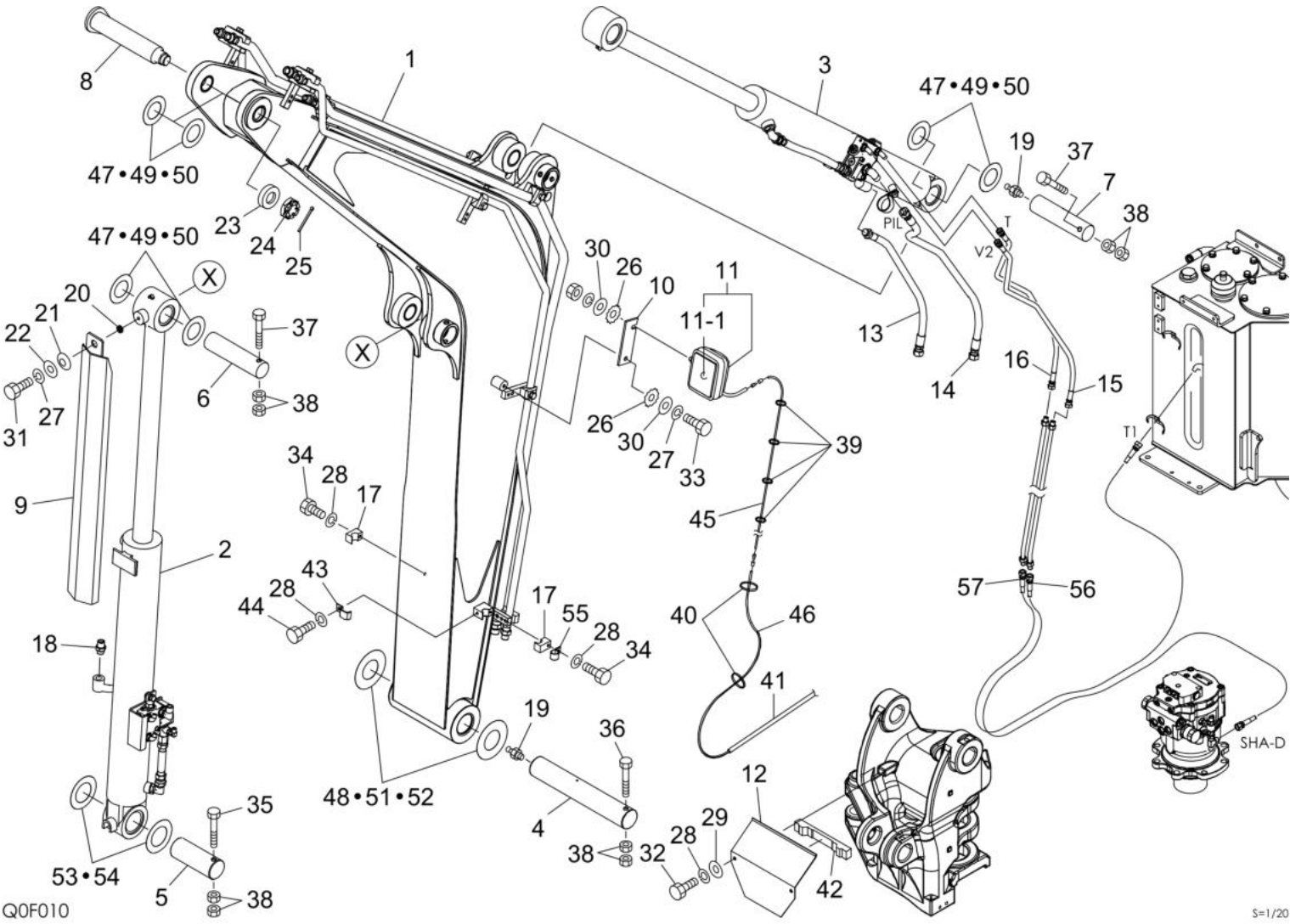


H0E270

S=FREE

Item	Part No.	Name	Qty	Uom	Remarks	SERIAL NUMBER
0-4	1911514508	UNIT, air conditioner	1	EA		
1	1911514509	EVAPORATOR	1	EA		
2	1911514519	VALVE, expansion	1	EA		
3	1911513413	SET ASSY, thermistor	1	EA		
4	1911513414	AMPLIFIER ASSY	1	EA		
5	1911514511	CORE ASSY, heater	1	EA		
6	1911513416	RESISTOR, blower	1	EA		
7	1911514512	MOTOR ASSY, fan	1	EA		

HOE ATTACHMENT BOOM (1/4) (with shut-off valve + 2nd aux. line)



Q0F010

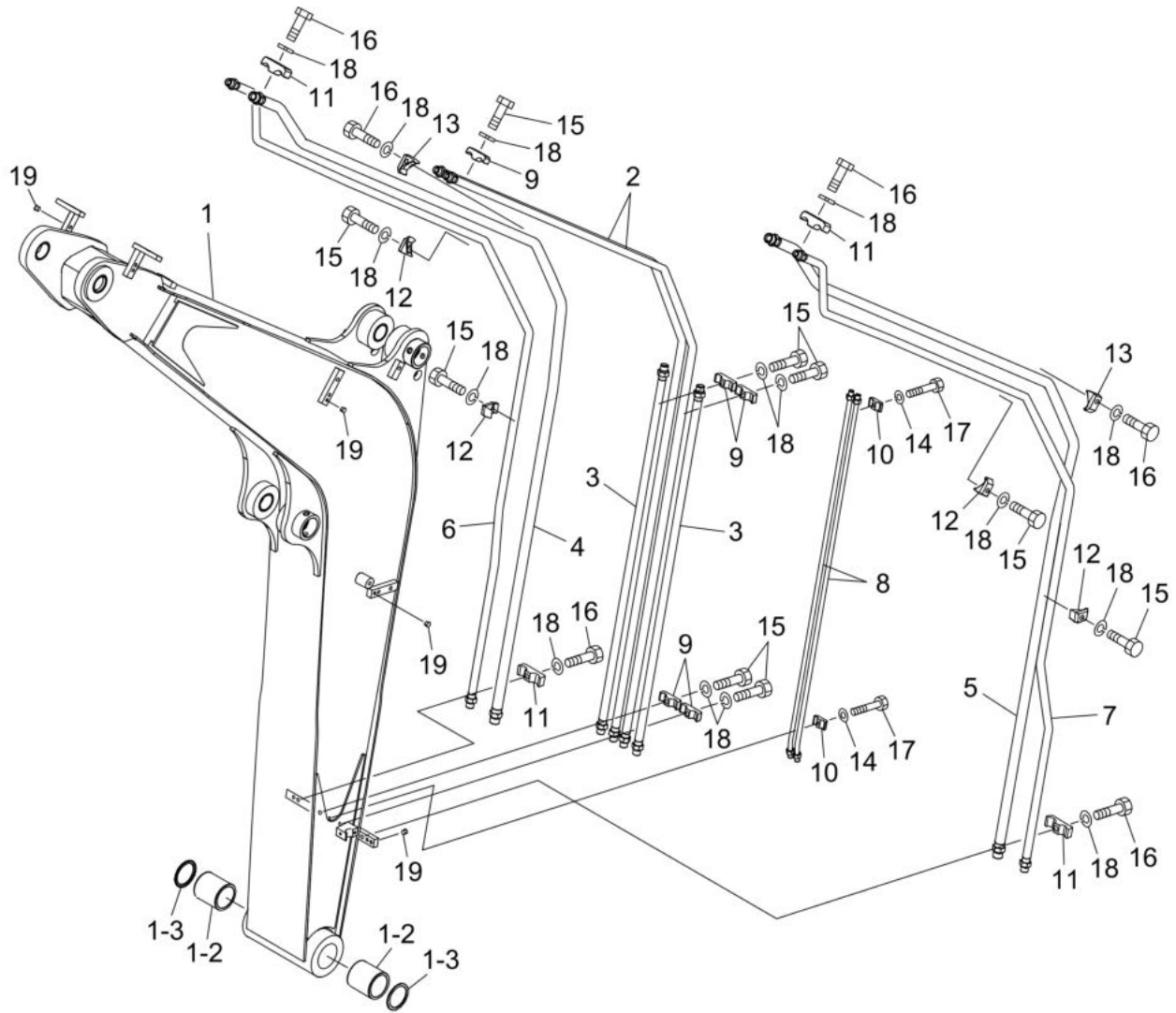
S=1/20

Item	Part No.	Name	Qty	Uom	Remarks	SERIAL NUMBER
-	PNNA	BOOM ASSY (with shut-off valve + 2nd aux. line)		EA		
1	*****	BOOM SUB ASSY	1	EA	see page (2/4)	
2	*****	CYLINDER ASSY, boom	1	EA	see page (3/4)	
3	*****	CYLINDER ASSY, arm	1	EA	see page (4/4)	
4	0011577006	PIN	1	EA		
5	0001618170	PIN	1	EA		
6	0001616005	PIN	1	EA		
7	0001675003	PIN	1	EA		
8	0011905006	PIN	1	EA		
9	0556000002	COVER	1	EA		
10	0556000001	PLATE	1	EA		
11	1703002700	LAMP ASSY (BOOM/REAR)	1	EA		
11-1	1703002706	BULB	1	EA		
12	0556025001	COVER	1	EA		
13	0556026020	HOSE	1	EA	18045-43070	
14	0556025430	HOSE	1	EA	18045-40092	
15	0556025440	HOSE	1	EA	18010-22101	
16	0556025450	HOSE ASSY	1	EA	18010-22096	
17	0376006282	CLAMP	2	EA		
18	1515600202	ADAPTOR	1	EA		
18	1420010180	O-RING	1	EA		
19	1560001000	FITTING, grease	2	EA		
20	0003600159	COLLAR	1	EA		
21	1225120022	WASHER, conical	1	EA		
22	0003600057	WASHER	1	EA		
23	0003900085	WASHER	1	EA		
24	1132630039	NUT, castle	1	EA		
25	1210000670	PIN, cotter	1	EA		
26	1140330012	WASHER	2	EA		
27	1140020012	WASHER, spring (12MM)	2	EA		
28	1140020008	WASHER, spring	5	EA		
29	1141110008	WASHER	2	EA		
30	1141110012	WASHER	2	EA		
31	1101051225	BOLT	1	EA		
32	1100050820	BOLT (10TM8 X 20 P/1.25)	2	EA		
33	1100051230	BOLT (10.9 M12 X 30MM)	1	EA		
34	1100050840	BOLT (10TM8 X 40 P/1.25)	2	EA		
35	1100141240	BOLT	1	EA		

This page intentionally left blank

Item	Part No.	Name	Qty	Uom	Remarks	SERIAL NUMBER
36	1100141250	BOLT	1	EA		
37	1103141200	BOLT	2	EA		
38	1130050012	NUT (8TM12 P/1.75)	8	EA		
39	1652200004	BAND	4	EA		
40	1652201005	BAND	8	EA		
41	1531312000	PROTECTOR (SOLD BY THE METER)	1	EA	sold by the meter	
42	0556026001	RUBBER	1	EA		
43	0395012150	CLAMP	1	EA		
44	1100090816	BOLT	1	EA		
45	0434200600	WIRE	1	EA		
46	0556024300	HARNESS, wiring	1	EA		
47	0003600156	SHIM	1	EA	t-1.0mm	
48	0003600211	SHIM	1	EA	t-1.0mm	
49	0003600108	SHIM	1	EA	t-0.2mm	
50	0003600109	SHIM	1	EA	t-0.5mm	
51	0003600209	SHIM	1	EA	t-0.2mm	
52	0003600210	SHIM	1	EA	t-0.5mm	
53	0003600214	SHIM	1	EA	t-0.2mm	
54	0003600215	SHIM	1	EA	t-0.5mm	
55	0007300050	CLAMP	1	EA		
56	0556000024	HOSE ASSY	1	EA	18010-22270	
57	0556000025	HOSE	1	EA	18010-22300	

HOE ATTACHMENT BOOM (2/4) (with shut-off valve + 2nd aux. line)

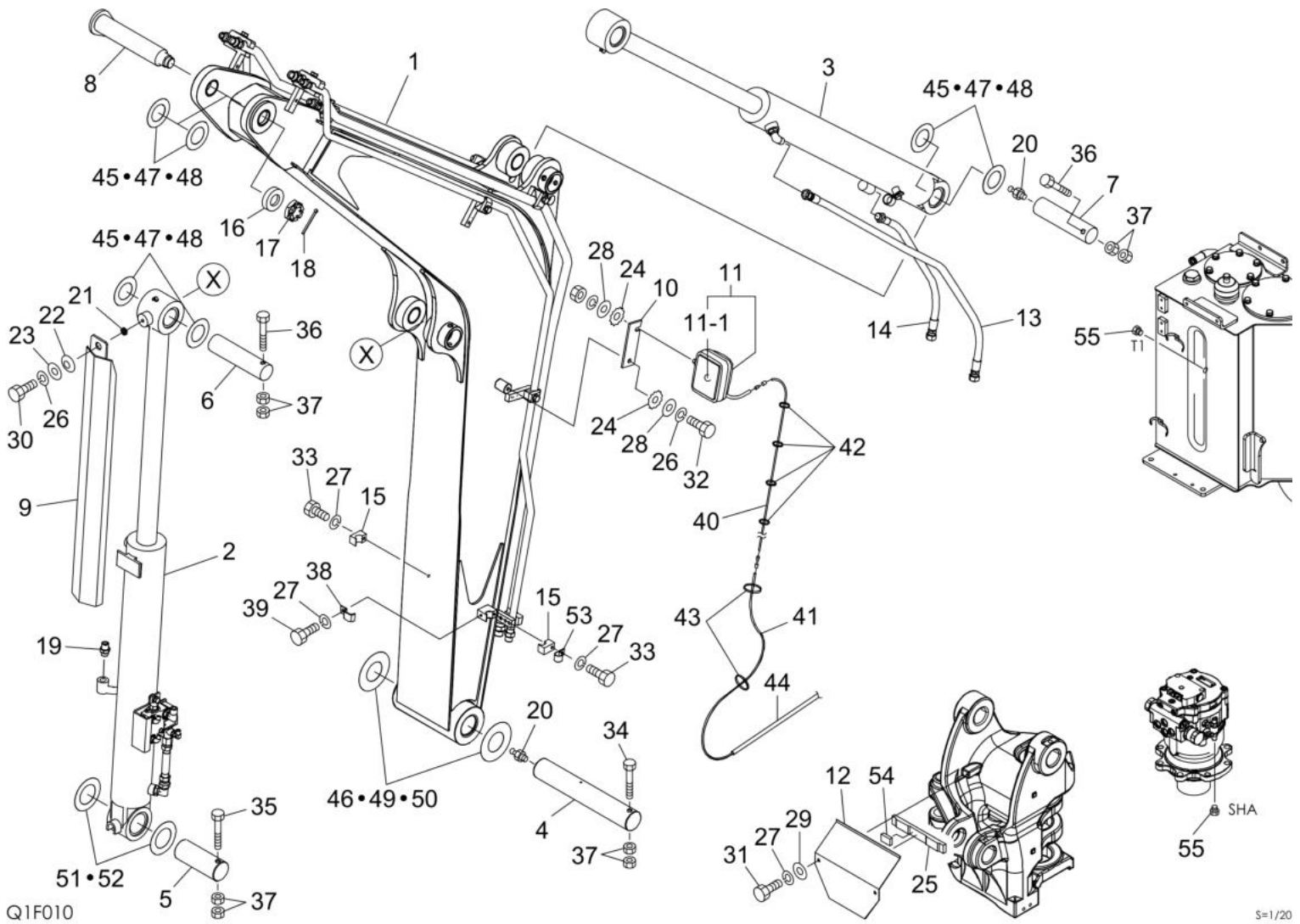


Q0F050

S=1/20

Item	Part No.	Name	Qty	Uom	Remarks	SERIAL NUMBER
0-1	*****	BOOM SUB ASSY	1	EA		
1	055600007	BOOM	1	EA		
1-2	0002706500	BUSHING	2	EA		
1-3	1432200065	SEAL, dust	2	EA		
2	0556025010	PIPE	2	EA		
3	0556025020	PIPE	2	EA		
4	0556025040	PIPE	1	EA		
5	0556025050	PIPE	1	EA		
6	0556025060	PIPE (R.H.)	1	EA		
7	0556025070	PIPE	1	EA		
8	0556025030	PIPE	2	EA		
9	1534000023	CLAMP	5	EA		
10	1534000012	CLAMP	2	EA		
11	0556000000	CLAMP	4	EA		
12	1534100219	CLAMP	4	EA		
13	1534100274	CLAMP	2	EA		
14	1140020008	WASHER, spring	2	EA		
15	1100051250	BOLT (10TM12 X 50 P/1.75)	9	EA		
16	1100051255	BOLT (10TM12 X 55 P/1.75)	6	EA		
17	1100050870	BOLT (10TM8 X 70 P/1.25)	2	EA		
18	1140020012	WASHER, spring (12MM)	15	EA		
19	1652533017	CAP	16	EA		

HOE ATTACHMENT BOOM (1/4) (with boom shut-off valve + 2nd aux. line)

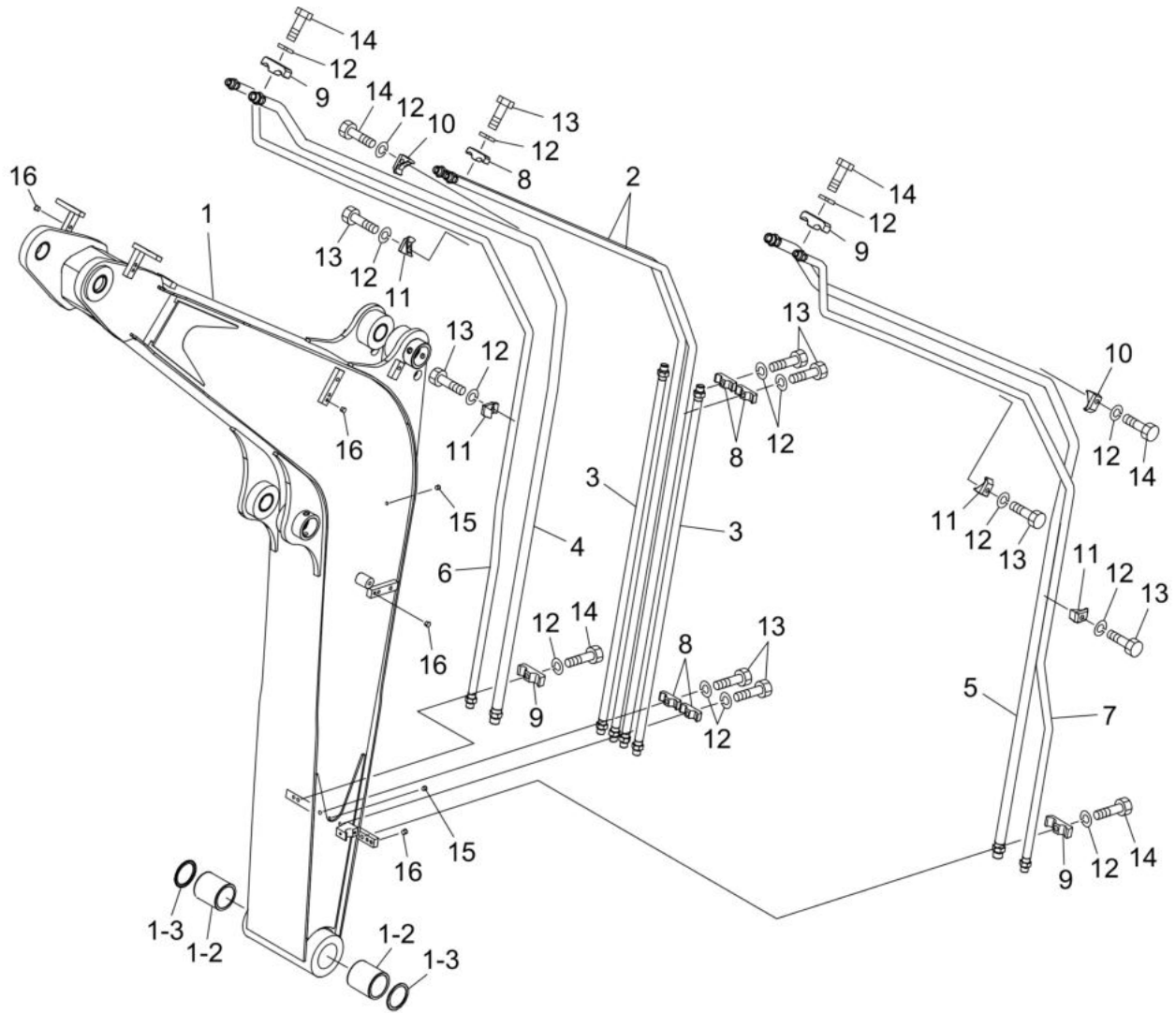


Item	Part No.	Name	Qty	Uom	Remarks	SERIAL NUMBER
Not Shown	PNNA	BOOM ASSY (with boom shut-off valve + 2nd aux. line)		EA		
1	*****	BOOM SUB ASSY	1	EA	see page (2/4)	
2	*****	CYLINDER ASSY, boom	1	EA	see page (3/4)	
3	*****	CYLINDER ASSY, arm	1	EA	see page (4/4)	
4	0011577006	PIN	1	EA		
5	0001618170	PIN	1	EA		
6	0001616005	PIN	1	EA		
7	0001675003	PIN	1	EA		
8	0011905006	PIN	1	EA		
9	0556000002	COVER	1	EA		
10	0556000001	PLATE	1	EA		
11	1703002700	LAMP ASSY (BOOM/REAR)	1	EA		
11-1	1703002706	BULB	1	EA		
12	0556025001	COVER	1	EA		
13	0556026010	HOSE	1	EA	18045-40138	
14	0556026020	HOSE	1	EA	18045-43070	
15	0376006282	CLAMP	2	EA		
16	0003900085	WASHER	1	EA		
17	1132630039	NUT, castle	1	EA		
18	1210000670	PIN, cotter	1	EA		
19	1515600202	ADAPTOR	1	EA		
19	1420010180	O-RING	1	EA		
20	1560001000	FITTING, grease	2	EA		
21	0003600159	COLLAR	1	EA		
22	1225120022	WASHER, conical	1	EA		
23	0003600057	WASHER	1	EA		
24	1140330012	WASHER	2	EA		
25	0556026001	RUBBER	1	EA		
26	1140020012	WASHER, spring (12MM)	2	EA		
27	1140020008	WASHER, spring	5	EA		
28	1141110012	WASHER	2	EA		
29	1141110008	WASHER	2	EA		
30	1101051225	BOLT	1	EA		
31	1100050820	BOLT (10TM8 X 20 P/1.25)	2	EA		
32	1100051230	BOLT (10.9 M12 X 30MM)	1	EA		
33	1100050840	BOLT (10TM8 X 40 P/1.25)	2	EA		
34	1100141250	BOLT	1	EA		
35	1100141240	BOLT	1	EA		

This page intentionally left blank

Item	Part No.	Name	Qty	Uom	Remarks	SERIAL NUMBER
36	1103141200	BOLT	2	EA		
37	1130050012	NUT (8TM12 P/1.75)	8	EA		
38	0395012150	CLAMP	1	EA		
39	1100090816	BOLT	1	EA		
40	0434200600	WIRE	1	EA		
41	0556024300	HARNESS, wiring	1	EA		
42	1652200004	BAND	4	EA		
43	1652201005	BAND	5	EA		
44	1531312000	PROTECTOR (SOLD BY THE METER)	1	EA	sold by the meter	
45	0003600156	SHIM	1	EA	t=1.0mm	
46	0003600211	SHIM	1	EA	t=1.0mm	
47	0003600108	SHIM	1	EA	t=0.2mm	
48	0003600109	SHIM	1	EA	t=0.5mm	
49	0003600209	SHIM	1	EA	t=0.2mm	
50	0003600210	SHIM	1	EA	t=0.5mm	
51	0003600214	SHIM	1	EA	t=0.2mm	
52	0003600215	SHIM	1	EA	t=0.5mm	
53	0007300050	CLAMP	1	EA		
54	0656000017	RUBBER	1	EA		
55	1501750002	PLUG (FOR O-RING USE # 1420010110)	2	EA		
55	1420010110	O-RING	1	EA		

HOE ATTACHMENT BOOM (2/4) (with boom shut-off valve + 2nd aux. line)

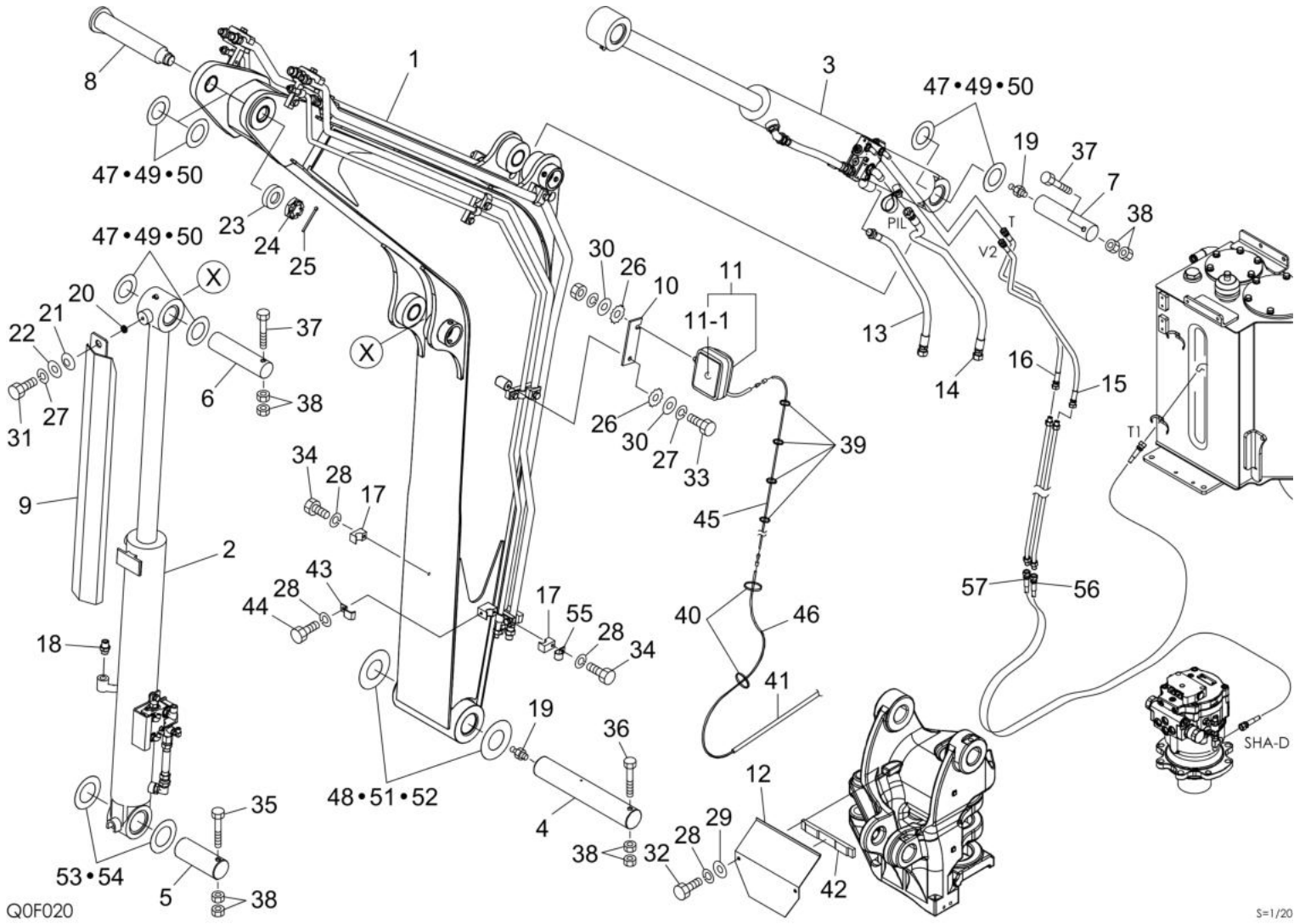


Q1F020

S=1/20

Item	Part No.	Name	Qty	Uom	Remarks	SERIAL NUMBER
0-1	*****	PLUG	1	EA		
1	055600007	BOOM	1	EA		
1-2	0002706500	BUSHING	2	EA		
1-3	1432200065	SEAL, dust	2	EA		
2	0556025010	PIPE	2	EA		
3	0556025020	PIPE	2	EA		
4	0556025040	PIPE	1	EA		
5	0556025050	PIPE	1	EA		
6	0556025060	PIPE (R.H.)	1	EA		
7	0556025070	PIPE	1	EA		
8	1534000023	CLAMP	5	EA		
9	0556000000	CLAMP	4	EA		
10	1534100274	CLAMP	2	EA		
11	1534100219	CLAMP	4	EA		
12	1140020012	WASHER, spring (12MM)	15	EA		
13	1100051250	BOLT (10TM12 X 50 P/1.75)	9	EA		
14	1100051255	BOLT (10TM12 X 55 P/1.75)	6	EA		
15	1652533016	CAP	2	EA		
16	1652533017	CAP	16	EA		

HOE ATTACHMENT BOOM (1/4) (with shut-off valve + 3rd aux. line)

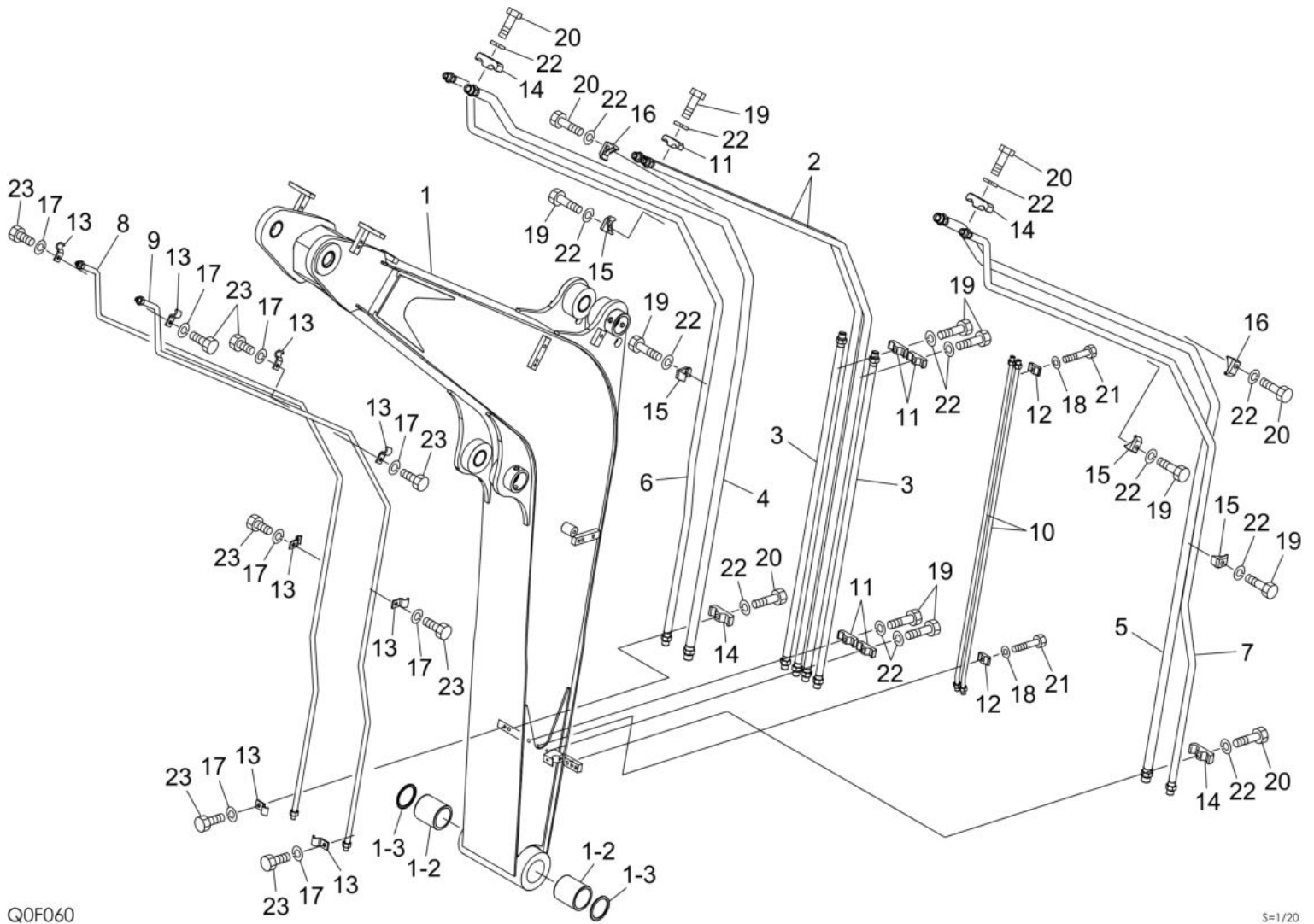


Item	Part No.	Name	Qty	Uom	Remarks	SERIAL NUMBER
-	PNNA	BOOM ASSY (with shut-off valve + 3rd aux. line)		EA		
1	*****	BOOM SUB ASSY	1	EA	see page (2/4)	
2	*****	CYLINDER ASSY, boom	1	EA	see page (3/4)	
3	*****	CYLINDER ASSY, arm	1	EA	see page (4/4)	
4	0011577006	PIN	1	EA		
5	0001618170	PIN	1	EA		
6	0001616005	PIN	1	EA		
7	0001675003	PIN	1	EA		
8	0011905006	PIN	1	EA		
9	0556000002	COVER	1	EA		
10	0556000001	PLATE	1	EA		
11	1703002700	LAMP ASSY (BOOM/REAR)	1	EA		
11-1	1703002706	BULB	1	EA		
12	0556025001	COVER	1	EA		
13	0556026020	HOSE	1	EA	18045-43070	
14	0556025430	HOSE	1	EA	18045-40092	
15	0556025440	HOSE	1	EA	18010-22101	
16	0556025450	HOSE ASSY	1	EA	18010-22096	
17	0376006282	CLAMP	2	EA		
18	1515600202	ADAPTOR	1	EA		
18	1420010180	O-RING	1	EA		
19	1560001000	FITTING, grease	2	EA		
20	0003600159	COLLAR	1	EA		
21	1225120022	WASHER, conical	1	EA		
22	0003600057	WASHER	1	EA		
23	0003900085	WASHER	1	EA		
24	1132630039	NUT, castle	1	EA		
25	1210000670	PIN, cotter	1	EA		
26	1140330012	WASHER	2	EA		
27	1140020012	WASHER, spring (12MM)	2	EA		
28	1140020008	WASHER, spring	5	EA		
29	1141110008	WASHER	2	EA		
30	1141110012	WASHER	2	EA		
31	1101051225	BOLT	1	EA		
32	1100050820	BOLT (10TM8 X 20 P/1.25)	2	EA		
33	1100051230	BOLT (10.9 M12 X 30MM)	1	EA		
34	1100050840	BOLT (10TM8 X 40 P/1.25)	2	EA		
35	1100141240	BOLT	1	EA		

This page intentionally left blank

Item	Part No.	Name	Qty	Uom	Remarks	SERIAL NUMBER
36	1100141250	BOLT	1	EA		
37	1103141200	BOLT	2	EA		
38	1130050012	NUT (8TM12 P/1.75)	8	EA		
39	1652200004	BAND	4	EA		
40	1652201005	BAND	8	EA		
41	1531312000	PROTECTOR (SOLD BY THE METER)	1	EA	sold by the meter	
42	0556025002	RUBBER	1	EA		
43	0395012150	CLAMP	1	EA		
44	1100090816	BOLT	1	EA		
45	0434200600	WIRE	1	EA		
46	0556024300	HARNESS, wiring	1	EA		
47	0003600156	SHIM	1	EA	t-1.0mm	
48	0003600211	SHIM	1	EA	t-1.0mm	
49	0003600108	SHIM	1	EA	t-0.2mm	
50	0003600109	SHIM	1	EA	t-0.5mm	
51	0003600209	SHIM	1	EA	t-0.2mm	
52	0003600210	SHIM	1	EA	t-0.5mm	
53	0003600214	SHIM	1	EA	t-0.2mm	
54	0003600215	SHIM	1	EA	t-0.5mm	
55	0007300050	CLAMP	1	EA		
56	0556000024	HOSE ASSY	1	EA	18010-22270	
57	0556000025	HOSE	1	EA	18010-22300	

HOE ATTACHMENT BOOM (2/4) (with shut-off valve + 3rd aux. line)



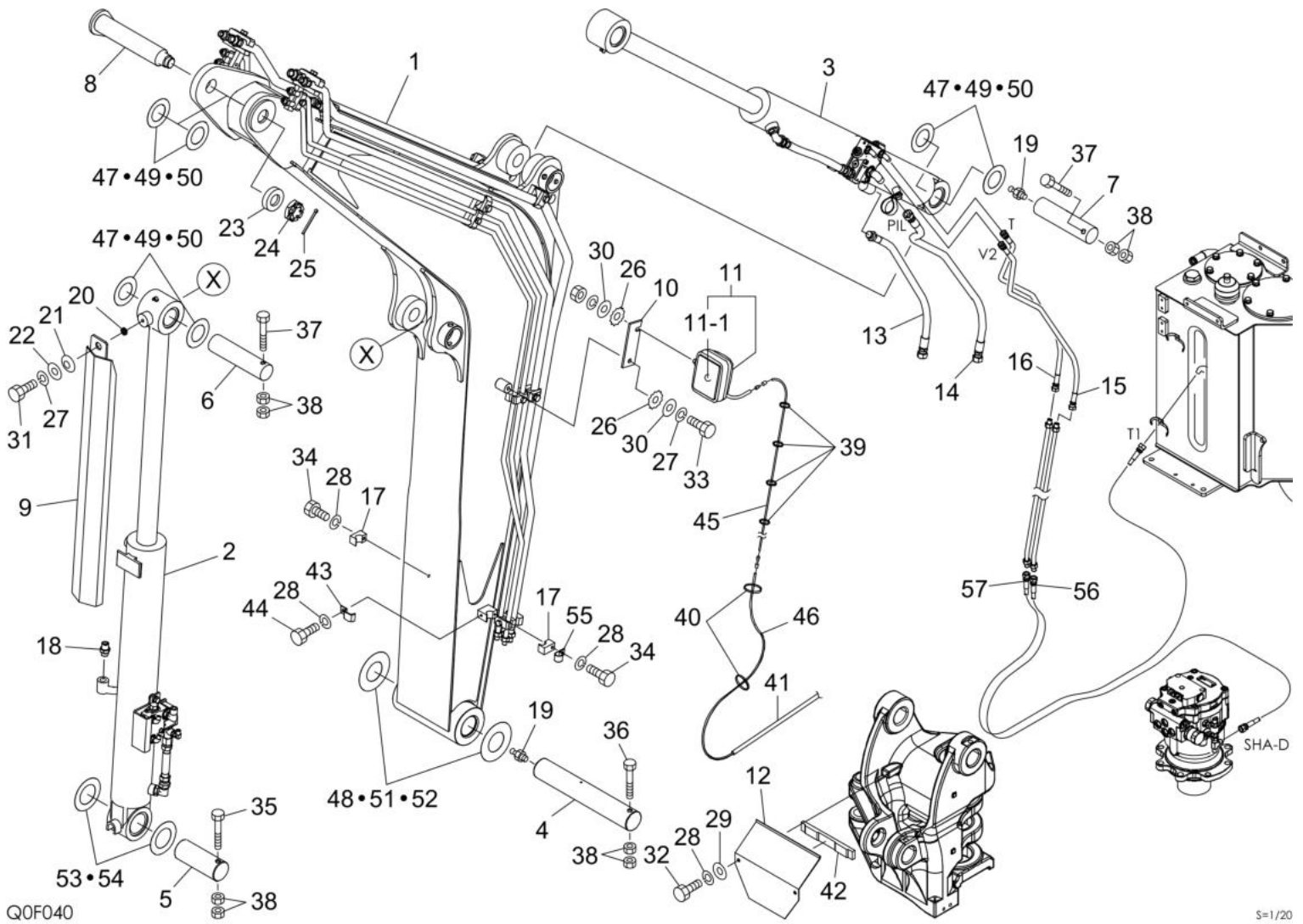
Q0F060

S=1/20

501
MACHINE MODEL: TB260

Item	Part No.	Name	Qty	Uom	Remarks	SERIAL NUMBER
0-1	*****	BOOM SUB ASSY	1	EA		
1	0556000007	BOOM	1	EA		
1-2	0002706500	BUSHING	2	EA		
1-3	1432200065	SEAL, dust	2	EA		
2	0556025010	PIPE	2	EA		
3	0556025020	PIPE	2	EA		
4	0556025040	PIPE	1	EA		
5	0556025050	PIPE	1	EA		
6	0556025060	PIPE (R.H.)	1	EA		
7	0556025070	PIPE	1	EA		
8	0556025080	PIPE	1	EA		
9	0556025090	PIPE	1	EA		
10	0556025030	PIPE	2	EA		
11	1534000023	CLAMP	5	EA		
12	1534000012	CLAMP	2	EA		
13	0567353607	CLAMP	8	EA		
14	0556000000	CLAMP	4	EA		
15	1534100219	CLAMP	4	EA		
16	1534100274	CLAMP	2	EA		
17	1140020010	WASHER, spring	8	EA		
18	1140020008	WASHER, spring	2	EA		
19	1100051250	BOLT (10TM12 X 50 P/1.75)	9	EA		
20	1100051255	BOLT (10TM12 X 55 P/1.75)	6	EA		
21	1100050870	BOLT (10TM8 X 70 P/1.25)	2	EA		
22	1140020012	WASHER, spring (12MM)	15	EA		
23	1100051020	BOLT (10TM10 X 20 P/1.5)	8	EA		

HOE ATTACHMENT BOOM (1/4) (with shut-off valve + 4th aux. line)



503

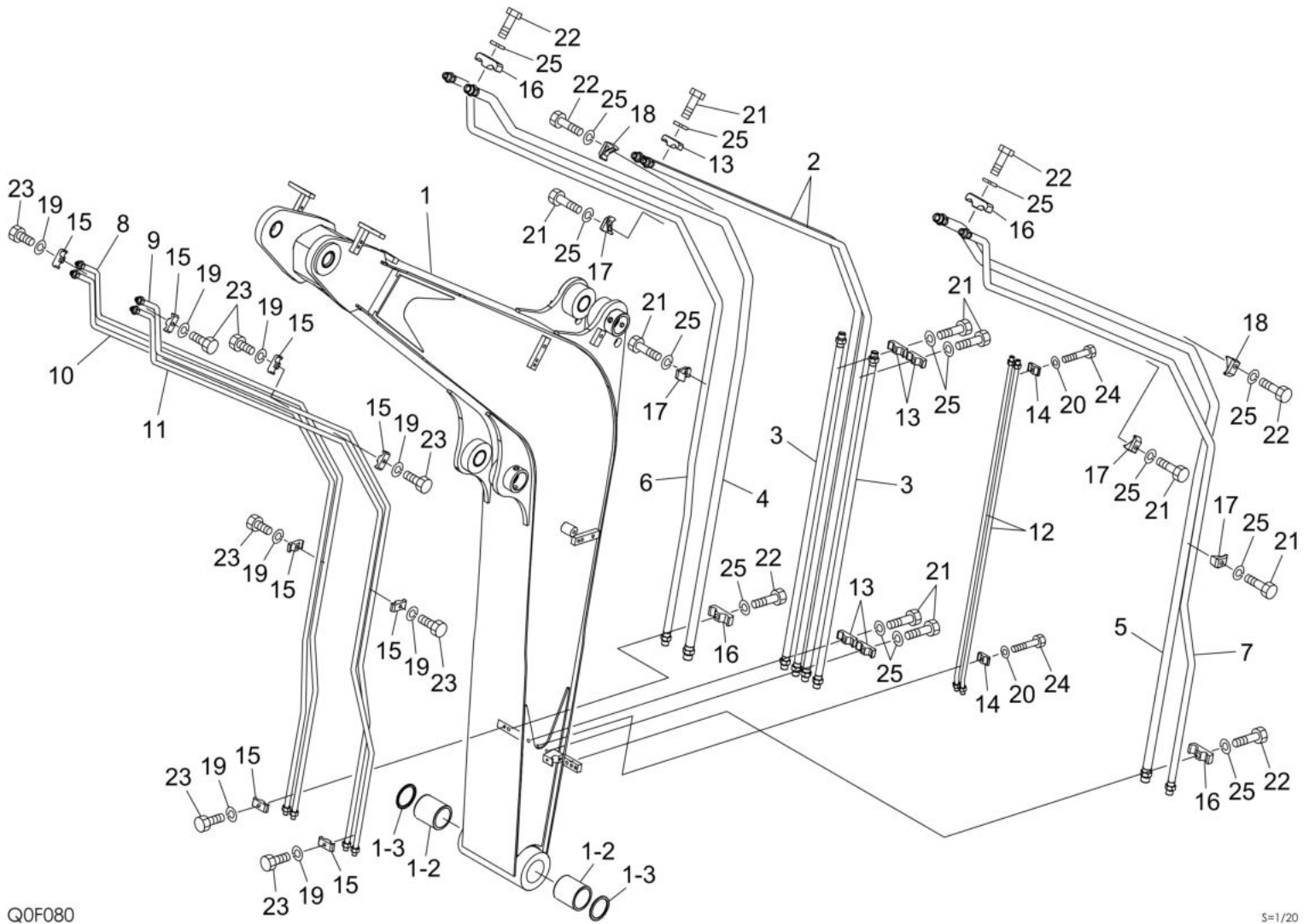
MACHINE MODEL: TB260

Item	Part No.	Name	Qty	Uom	Remarks	SERIAL NUMBER
-	PNNA	BOOM ASSY (with shut-off valve + 4th aux. line)		EA		
1	*****	BOOM SUB ASSY	1	EA	see page (2/4)	
2	*****	CYLINDER ASSY, boom	1	EA	see page (3/4)	
3	*****	CYLINDER ASSY, arm	1	EA	see page (4/4)	
4	0011577006	PIN	1	EA		
5	0001618170	PIN	1	EA		
6	0001616005	PIN	1	EA		
7	0001675003	PIN	1	EA		
8	0011905006	PIN	1	EA		
9	0556000002	COVER	1	EA		
10	0556000001	PLATE	1	EA		
11	1703002700	LAMP ASSY (BOOM/REAR)	1	EA		
11-1	1703002706	BULB	1	EA		
12	0556025001	COVER	1	EA		
13	0556026020	HOSE	1	EA	18045-43070	
14	0556025430	HOSE	1	EA	18045-40092	
15	0556025440	HOSE	1	EA	18010-22101	
16	0556025450	HOSE ASSY	1	EA	18010-22096	
17	0376006282	CLAMP	2	EA		
18	1515600202	ADAPTOR	1	EA		
18	1420010180	O-RING	1	EA		
19	1560001000	FITTING, grease	2	EA		
20	0003600159	COLLAR	1	EA		
21	1225120022	WASHER, conical	1	EA		
22	0003600057	WASHER	1	EA		
23	0003900085	WASHER	1	EA		
24	1132630039	NUT, castle	1	EA		
25	1210000670	PIN, cotter	1	EA		
26	1140330012	WASHER	2	EA		
27	1140020012	WASHER, spring (12MM)	2	EA		
28	1140020008	WASHER, spring	5	EA		
29	1141110008	WASHER	2	EA		
30	1141110012	WASHER	2	EA		
31	1101051225	BOLT	1	EA		
32	1100050820	BOLT (10TM8 X 20 P/1.25)	2	EA		
33	1100051230	BOLT (10.9 M12 X 30MM)	1	EA		
34	1100050840	BOLT (10TM8 X 40 P/1.25)	2	EA		
35	1100141240	BOLT	1	EA		

This page intentionally left blank

Item	Part No.	Name	Qty	Uom	Remarks	SERIAL NUMBER
36	1100141250	BOLT	1	EA		
37	1103141200	BOLT	2	EA		
38	1130050012	NUT (8TM12 P/1.75)	8	EA		
39	1652200004	BAND	4	EA		
40	1652201005	BAND	8	EA		
41	1531312000	PROTECTOR (SOLD BY THE METER)	1	EA	sold by the meter	
42	0556025002	RUBBER	1	EA		
43	0395012150	CLAMP	1	EA		
44	1100090816	BOLT	1	EA		
45	0434200600	WIRE	1	EA		
46	0556024300	HARNESS, wiring	1	EA		
47	0003600156	SHIM	1	EA	t-1.0mm	
48	0003600211	SHIM	1	EA	t-1.0mm	
49	0003600108	SHIM	1	EA	t-0.2mm	
50	0003600109	SHIM	1	EA	t-0.5mm	
51	0003600209	SHIM	1	EA	t-0.2mm	
52	0003600210	SHIM	1	EA	t-0.5mm	
53	0003600214	SHIM	1	EA	t-0.2mm	
54	0003600215	SHIM	1	EA	t-0.5mm	
55	0007300050	CLAMP	1	EA		
56	0556000024	HOSE ASSY	1	EA	18010-22270	
57	0556000025	HOSE	1	EA	18010-22300	

HOE ATTACHMENT BOOM (2/4) (with shut-off valve + 4th aux. line)

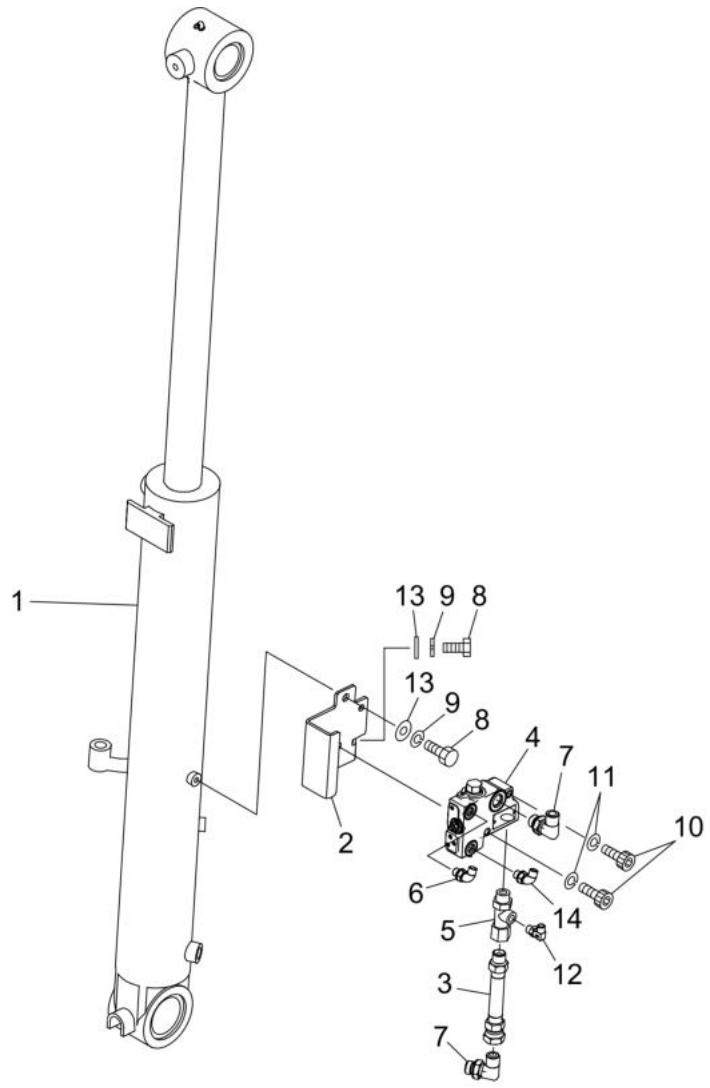


Q0F080

S=1/20

Item	Part No.	Name	Qty	Uom	Remarks	SERIAL NUMBER
0-1	*****	BOOM SUB ASSY	1	EA		
1	0556000007	BOOM	1	EA		
1-2	0002706500	BUSHING	2	EA		
1-3	1432200065	SEAL, dust	2	EA		
2	0556025010	PIPE	2	EA		
3	0556025020	PIPE	2	EA		
4	0556025040	PIPE	1	EA		
5	0556025050	PIPE	1	EA		
6	0556025060	PIPE (R.H.)	1	EA		
7	0556025070	PIPE	1	EA		
8	0556025080	PIPE	1	EA		
9	0556025090	PIPE	1	EA		
10	0556025410	PIPE	1	EA		
11	0556025420	PIPE	1	EA		
12	0556025030	PIPE	2	EA		
13	1534000023	CLAMP	5	EA		
14	1534000012	CLAMP	2	EA		
15	1534000016	CLAMP	8	EA		
16	0556000000	CLAMP	4	EA		
17	1534100219	CLAMP	4	EA		
18	1534100274	CLAMP	2	EA		
19	1140020010	WASHER, spring	8	EA		
20	1140020008	WASHER, spring	2	EA		
21	1100051250	BOLT (10TM12 X 50 P/1.75)	9	EA		
22	1100051255	BOLT (10TM12 X 55 P/1.75)	6	EA		
23	1100051040	BOLT (10TM10 X 40 P/1.5)	8	EA		
24	1100050870	BOLT (10TM8 X 70 P/1.25)	2	EA		
25	1140020012	WASHER, spring (12MM)	15	EA		

HOE ATTACHMENT BOOM (3/4) (boom cylinder) (with shut-off valve)

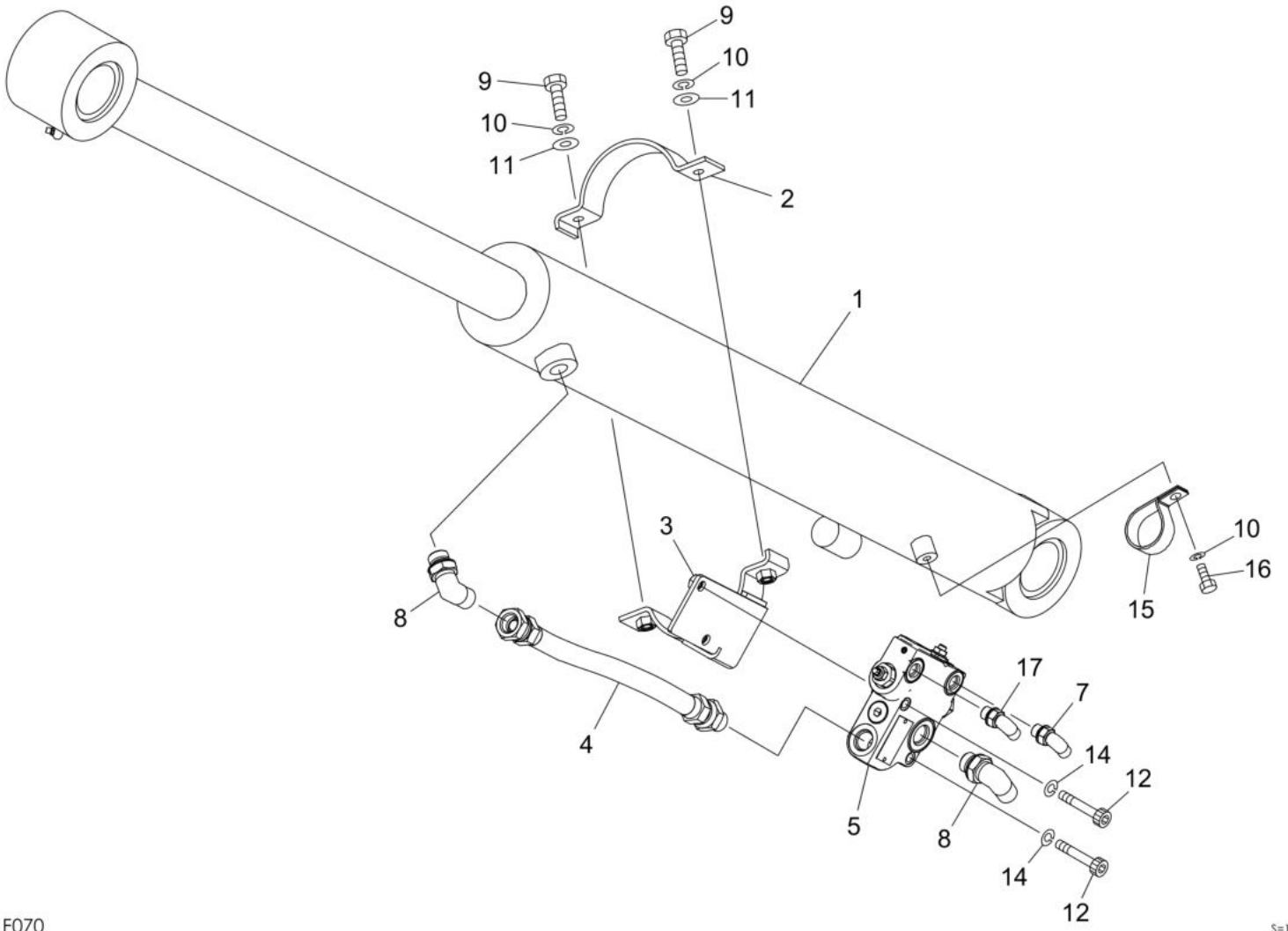


Q0F091

S=1/14

Item	Part No.	Name	Qty	Uom	Remarks	SERIAL NUMBER
0-2	*****	CYLINDER ASSY, boom	1	EA		
1	1900112800	CYLINDER, boom	1	EA		
2	0556000019	PLATE	1	EA		
3	0556025220	PIPE	1	EA		
4	1901762500	VALVE, emergency shut-off	1	EA		126100003~126102002
4	1901767700	VALVE, emergency shut-off	1	EA		126102003~
5	1513390039	ADAPTOR	1	EA		
5	1420010180	O-RING	1	EA		
6	1515012040	ELBOW	1	EA		
6	1420010110	O-RING	1	EA		
7	1515012042	ELBOW	2	EA		
7	1420010180	O-RING	1	EA		
8	1100051020	BOLT (10TM10 X 20 P/1.5)	2	EA		
9	1140020010	WASHER, spring	2	EA		
10	1110040855	SCREW, cap	2	EA		
11	1140420008	WASHER, spring	2	EA		
12	0575002030	ELBOW	1	EA		
12	1420010110	O-RING	1	EA		
13	0003900035	WASHER (10MM)	2	EA		
14	1512375004	ELBOW (with filter)	1	EA		
14	1420010110	O-RING	1	EA		

HOE ATTACHMENT BOOM (4/4) (arm cylinder) (with shut-off valve)

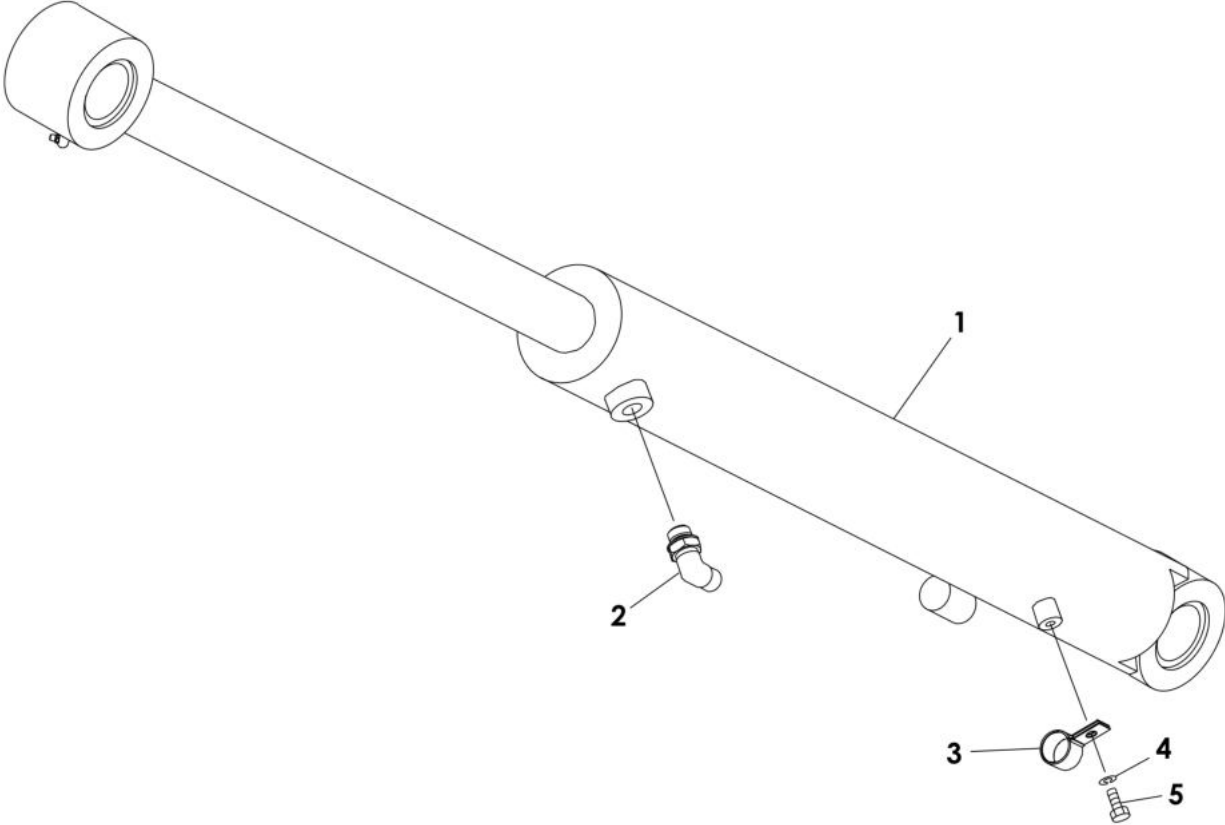


Q1F070

S=1/7

Item	Part No.	Name	Qty	Uom	Remarks	SERIAL NUMBER
0-3	*****	CYLINDER ASSY, arm (with shut-off valve)	1	EA		
1	1900112900	CYLINDER, arm	1	EA		
2	0556025360	BAND	1	EA		
3	0556025370	CLAMP	1	EA		
4	0556000031	PIPE	1	EA		
5	1901762600	VALVE, emergency shut-off	1	EA		126100003~126101991
5	1901767800	VALVE, emergency shut-off	1	EA		126101992~
7	1515012040	ELBOW	1	EA		
7	1420010110	O-RING	1	EA		
8	1515012042	ELBOW	2	EA		
8	1420010180	O-RING	1	EA		
9	1100051035	BOLT (10TM10 X 35 P/1.5)	2	EA		
10	1140020010	WASHER, spring	3	EA		
11	1141110010	WASHER, plain	2	EA		
12	1110040855	SCREW, cap	2	EA		
14	1140420008	WASHER, spring	2	EA		
15	0007300030	CLAMP	1	EA		
16	1100051016	BOLT	1	EA		
17	1512375004	ELBOW (with filter)	1	EA		
17	1420010110	O-RING	1	EA		

HOE ATTACHMENT BOOM (4/4) (arm cylinder)

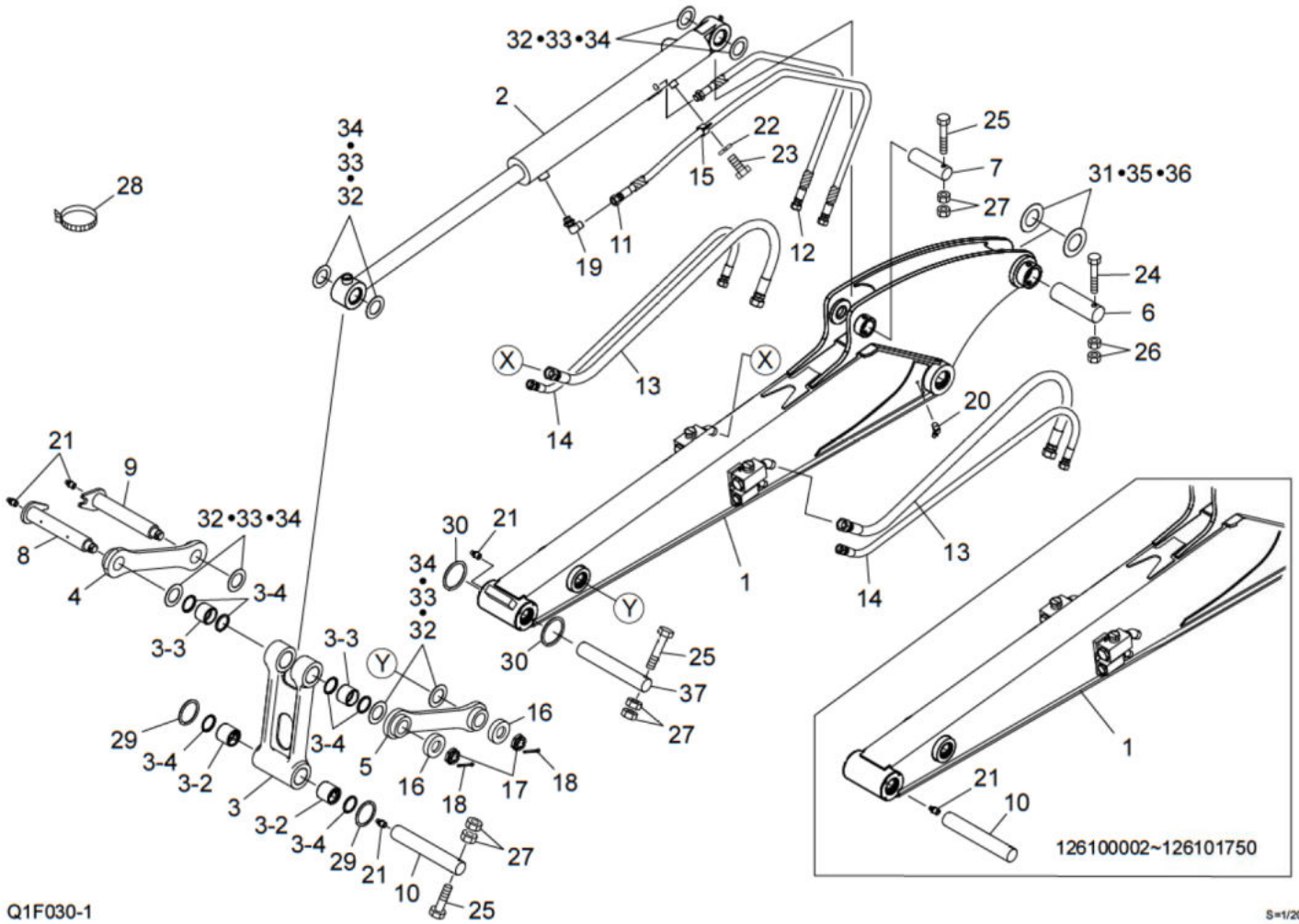


Q0F110

S=1/7

Item	Part No.	Name	Qty	Uom	Remarks	SERIAL NUMBER
0-3	*****	CYLINDER ASSY, ARM	1	EA		
1	1900112900	CYLINDER, arm	1	EA		
2	1515012042	ELBOW	1	EA		
2	1420010180	O-RING	1	EA		
3	0007300058	CLAMP	1	EA		
4	1140020010	WASHER, spring	1	EA		
5	1100051016	BOLT	1	EA		

HOE ATTACHMENT ARM (1/2) (for U.S.) (long arm) (with 2nd aux. line)



Q1F030-1

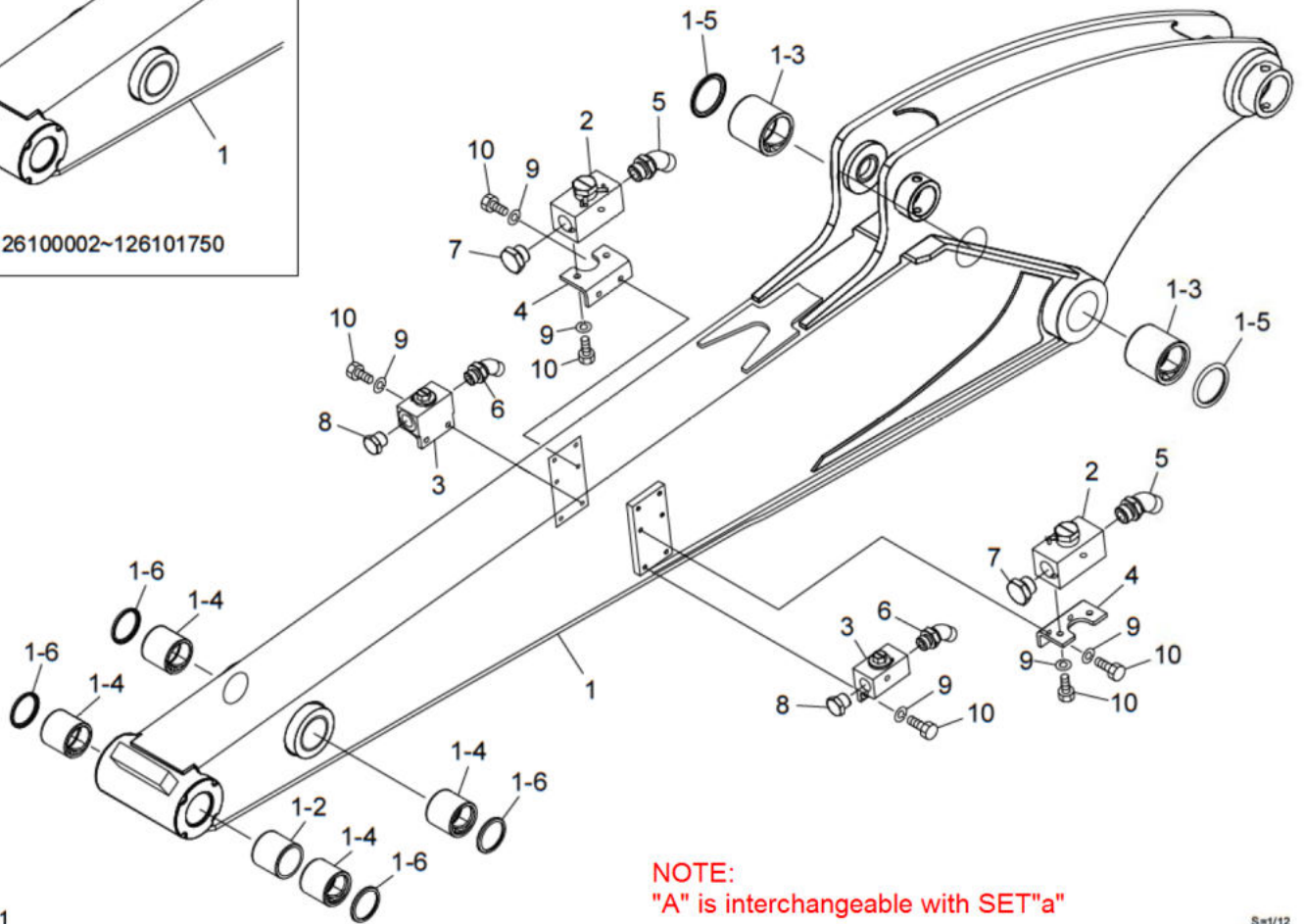
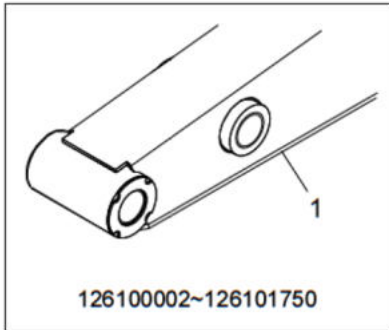
S=1/20

Item	Part No.	Name	Qty	Uom	Remarks	SERIAL NUMBER
-	PNNA	ARM ASSY	1	EA		126100002~126101750
-	PNNA	ARM ASSY	1	EA		126101751~
1	*****	ARM SUB ASSY, long	1	EA	see page (2/2)	126100002~126101750
1	*****	ARM SUB ASSY, long	1	EA		126101751~
2	1900113000	CYLINDER, bucket	1	EA		
3	0556112300	LINK, bucket	1	EA		
3-2	1900010602	BUSHING (45X55X50)	2	EA		
3-3	0002100032	BUSHING	2	EA		
3-4	1432200045	SEAL, dust	6	EA		
4	0556111400	PLATE	1	EA		
5	0556111500	PLATE	1	EA		
6	0001616004	PIN	1	EA		
7	0001614010	PIN	1	EA		
8	0001794015	PIN	1	EA		
9	0001794016	PIN	1	EA		
10	0001524503	PIN	2	EA		126100002~126101750
10	0001524503	PIN	1	EA		126101751~
10	02600260PA	PIN (THUMB) (NO CENTER HOLE)(TB260 SN 126101751-)	1	EA		
11	0556113030	HOSE	1	EA		
12	0556113040	HOSE ASSY	1	EA		
13	1801650130	HOSE	2	EA		
14	1801640118	HOSE ASSY	2	EA		
15	0007300058	CLAMP	1	EA		
16	0003900020	WASHER (31/46/64 T12)	2	EA		
17	1132630030	NUT	2	EA		
18	1210000655	PIN, cotter (M6 X 55)	2	EA		
19	1515012042	ELBOW	1	EA		
19	1420010180	O-RING	1	EA		
20	1560001675	FITTING, grease (67.5 DEGREE)	1	EA		
21	1560001000	FITTING, grease	4	EA		
22	1140020010	WASHER, spring	1	EA		
23	1100051016	BOLT	1	EA		
24	1103141200	BOLT	1	EA		
25	1103041085	BOLT (10.9 ZINC COATED M10 X 90MM)	3	EA		
26	1130050012	NUT (8TM12 P/1.75)	2	EA		
27	1130240010	NUT	6	EA		
28	1652201005	BAND	3	EA		

This page intentionally left blank

Item	Part No.	Name	Qty	Uom	Remarks	SERIAL NUMBER
29	1432900046	O-RING (69/84 7.5)	2	EA		
30	1432900008	O-RING (81/97 T/8 BKT.)	2	EA		
31	0003600156	SHIM	1	EA	t=1.0mm	
32	0456008600	SHIM	1	EA	t=1.0mm	
33	0003600055	SHIM (t=0.2mm)	1	EA	t=0.2mm	
34	0003600056	SHIM (t=0.5mm)	1	EA	t=0.5mm	
35	0003600108	SHIM	1	EA	t=0.2mm	
36	0003600109	SHIM	1	EA	t=0.5mm	
37	0556100042	PIN	1	EA		126101751~
37	02600260PA	PIN (THUMB) (NO CENTER HOLE)(TB260 SN 126101751-)	1	EA		

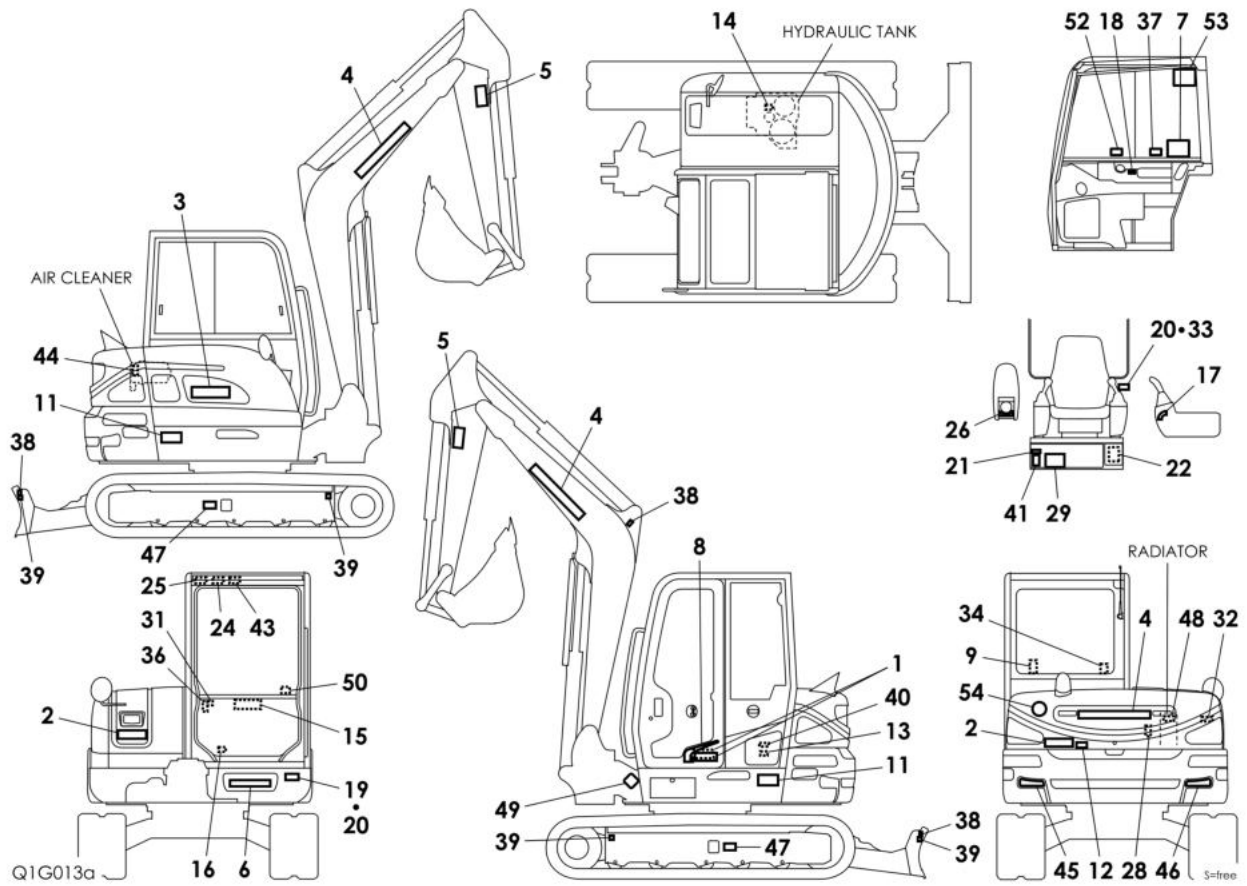
HOE ATTACHMENT ARM (2/2) (for U.S.) (long arm) (with 2nd aux. line)



Q1F040-1

S=1/12

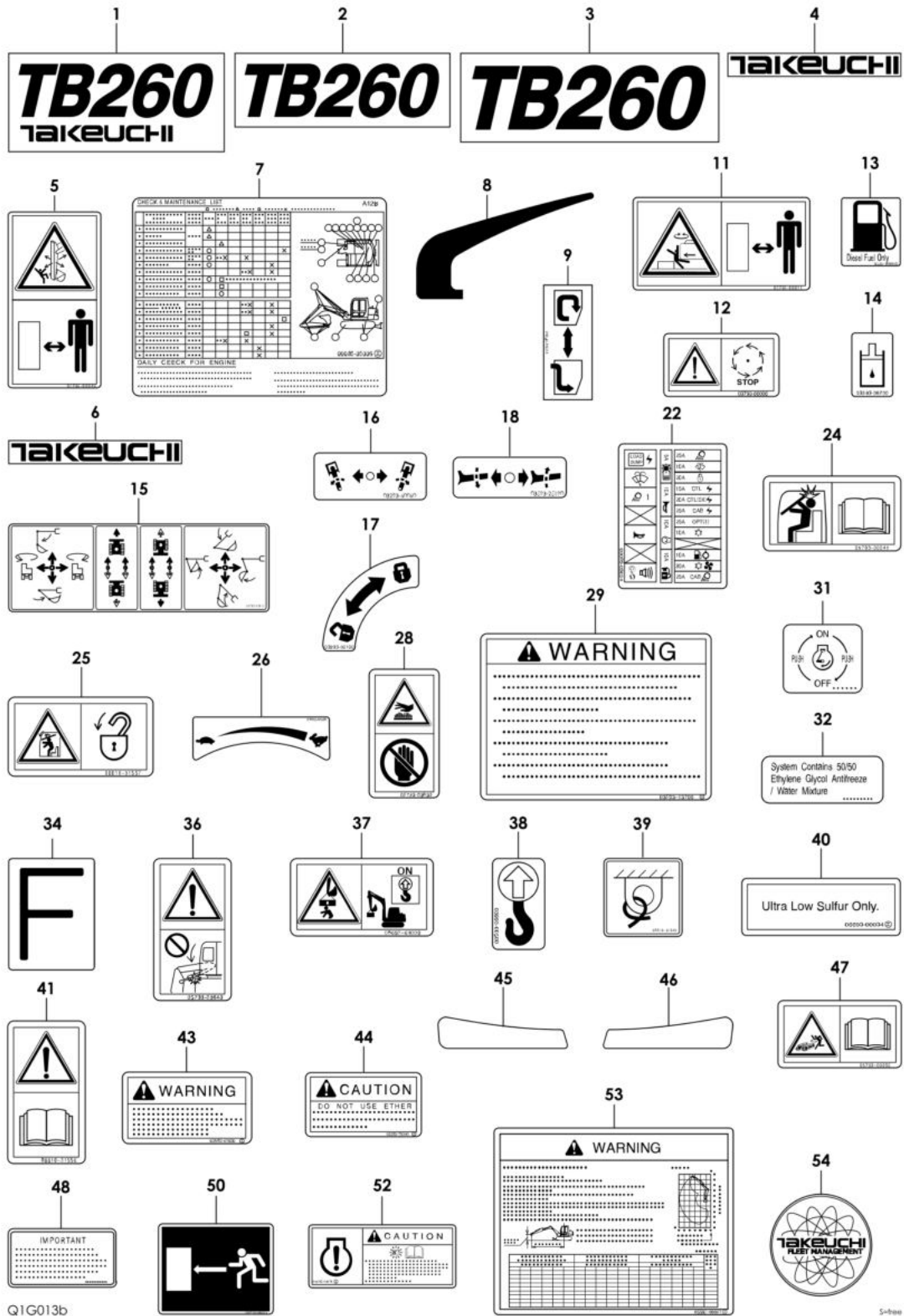
Item	Part No.	Name	Qty	Uom	Remarks	SERIAL NUMBER
0	*****	ARM SUB ASSY, long	1	EA		126100002~126101750
0	*****	ARM SUB ASSY, long	1	EA		126101751~
1	0556100035	ARM, long (1780mm) (WITH THUMB BRACKET)	1	EA	FOR U.S, A,a	126100002~126101750; 126101751~
1-2	0003048002	COLLAR	1	EA		126100002~126101750
1-2	0556100041	COLLAR	1	EA		126101751-
1-3	0002400075	BUSHING (55X68X65)	2	EA		
1-4	1900010602	BUSHING (45X55X50)	4	EA		
1-5	1432200055	SEAL, oil	2	EA		
1-6	1432200045	SEAL, dust	4	EA		
2	1901723700	VALVE, stop	2	EA		
3	1901719800	VALVE, stop	2	EA		
4	0556100013	PLATE	2	EA		
5	1515100113	ELBOW	2	EA		
5	1420010240	O-RING	1	EA		
6	1515100112	ELBOW	2	EA		
6	1420010180	O-RING	1	EA		
7	1501750006	PLUG	2	EA		
7	1420010240	O-RING	1	EA		
8	1501750004	PLUG (12MM)	2	EA		
8	1420010180	O-RING	1	EA		
9	1140020008	WASHER, spring	12	EA		
10	1100090816	BOLT	12	EA		
*1	0556100042	PIN	1	EA	a	



Item	Part No.	Name	Qty	Uom	Remarks	SERIAL NUMBER
0	0559300013	DECAL SET	1	EA		
0	0559300062	DECAL SET (without hoe attachment)	1	EA		
1	0008503022	DECAL	2	EA		
2	0008503004	DECAL	2	EA		
3	0008503005	DECAL	1	EA		
4	0008500060	DECAL	3	EA	STD	
4	0008500060	DECAL	1	EA	without hoe attachment	
5	0579300049	DECAL	2	EA	with hoe attachment	
6	0008500332	DECAL	1	EA		
7	0008505006	DECAL	1	EA		
8	0569366501	DECAL	1	EA		
9	0189311800	DECAL	1	EA		
11	0579300011	DECAL	2	EA		
12	0379366006	DECAL(English)"CAUTION STOP ENGINE BEFORE OPENING"	1	EA		
13	0359306600	DECAL (English) "DIESEL FUEL ONLY"	1	EA		
14	0359306700	DECAL (HYDRAULIC OIL-SAE SYMBOL)	1	EA		
15	0579300015	DECAL	1	EA		
16	0329360060	DECAL	1	EA		
17	0329360100	DECAL	1	EA		
18	0359325190	DECAL	1	EA		
19	*****	DECAL	1	EA		
20	*****	SCREW	8	EA		
21	*****	DECAL	1	EA		
22	0008505022	DECAL	1	EA		126100002~126102535
22	0008505024	DECAL	1	EA		126102536~
24	0579300045	DECAL	1	EA		
25	0881031557	DECAL	1	EA		
26	0569366526	DECAL	1	EA		126100002~126101973
28	0579303630	DECAL	1	EA		
29	0359313700	DECAL (English) "WARNING"	1	EA		
31	0569335060	DECAL (English)	1	EA		
32	0359313900	DECAL (U.S. TAKEUCHI) (ANTIFREEZE)	1	EA		
33	*****	DECAL	1	EA		
34	0399300400	DECAL	1	EA		
36	0579303643	DECAL	1	EA		
37	0569368009	DECAL	1	EA		

This page intentionally left blank

Item	Part No.	Name	Qty	Uom	Remarks	SERIAL NUMBER
38	0399300500	DECAL (LIFT POINT)	3	EA	with hoe attachment	
38	0399300500	DECAL (LIFT POINT)	2	EA	without hoe attachment	
39	0881031549	DECAL (TIE DOWN POINT)	4	EA		
40	0669300034	DECAL (English, for U.S.)	1	EA		
41	0881031556	DECAL	1	EA		
43	0359347020	DECAL (English)	1	EA		
44	0339375040	DECAL (English) "CAUTION DO NOT USE EITHER"	1	EA		
45	0008503030	DECAL	1	EA		
46	0008503031	DECAL	1	EA		
47	0579300052	DECAL	2	EA		
48	0339376240	DECAL (English) "IMPORTANT DO NOT DAMAGE RADIATOR"	1	EA		
49	*****	DECAL	1	EA		
50	0871086051	DECAL	1	EA		
52	0569300090	DECAL (English)	1	EA		
53	0559300067	DECAL	1	EA	with hoe attachment	
54	0359300052	DECAL (TFM DECAL)	1	EA		



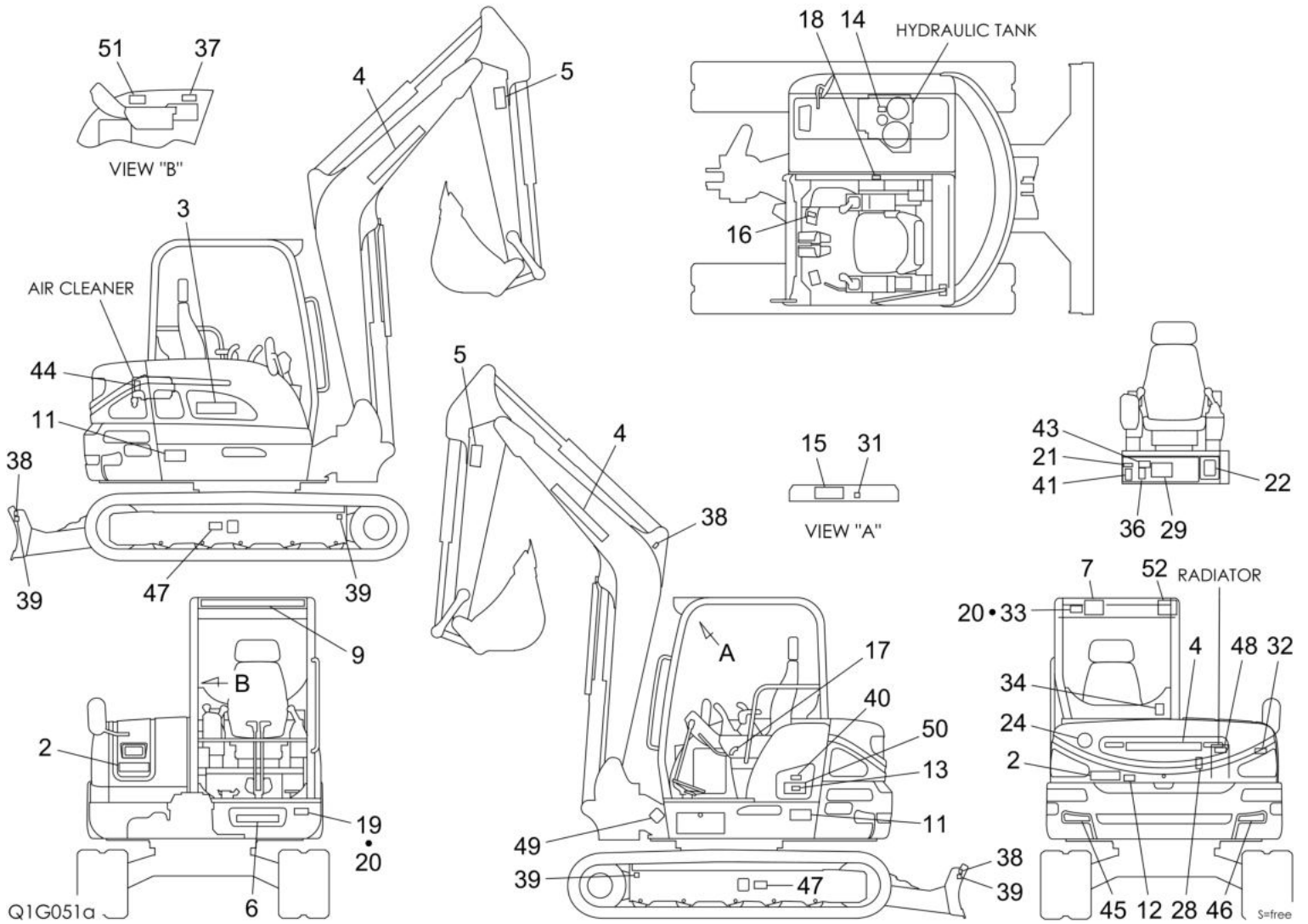
Q1G013b

S-000

Item	Part No.	Name	Qty	Uom	Remarks	SERIAL NUMBER
0	0559300013	DECAL SET	1	EA		
0	0559300062	DECAL SET (without hoe attachment)	1	EA		
1	0008503022	DECAL	2	EA		
2	0008503004	DECAL	2	EA		
3	0008503005	DECAL	1	EA		
4	0008500060	DECAL	3	EA	STD	
4	0008500060	DECAL	1	EA	without hoe attachment	
5	0579300049	DECAL	2	EA	with hoe attachment	
6	0008500332	DECAL	1	EA		
7	0008505006	DECAL	1	EA		
8	0569366501	DECAL	1	EA		
9	0189311800	DECAL	1	EA		
11	0579300011	DECAL	2	EA		
12	0379366006	DECAL(English)"CAUTION STOP ENGINE BEFORE OPENING"	1	EA		
13	0359306600	DECAL (English) "DIESEL FUEL ONLY"	1	EA		
14	0359306700	DECAL (HYDRAULIC OIL-SAE SYMBOL)	1	EA		
15	0579300015	DECAL	1	EA		
16	0329360060	DECAL	1	EA		
17	0329360100	DECAL	1	EA		
18	0359325190	DECAL	1	EA		
22	0008505022	DECAL	1	EA		126100002~126102535
22	0008505024	DECAL	1	EA		126102536~
24	0579300045	DECAL	1	EA		
25	0881031557	DECAL	1	EA		
26	0569366526	DECAL	1	EA		126100002~126101973
28	0579303630	DECAL	1	EA		
29	0359313700	DECAL (English) "WARNING"	1	EA		
31	0569335060	DECAL (English)	1	EA		
32	0359313900	DECAL (U.S. TAKEUCHI) (ANTIFREEZE)	1	EA		
34	0399300400	DECAL	1	EA		
36	0579303643	DECAL	1	EA		
37	0569368009	DECAL	1	EA		
38	0399300500	DECAL (LIFT POINT)	3	EA	with hoe attachment	
38	0399300500	DECAL (LIFT POINT)	2	EA	without hoe attachment	
39	0881031549	DECAL (TIE DOWN POINT)	4	EA		
40	0669300034	DECAL (English, for U.S.)	1	EA		

This page intentionally left blank

Item	Part No.	Name	Qty	Uom	Remarks	SERIAL NUMBER
41	0881031556	DECAL	1	EA		
43	0359347020	DECAL (English)	1	EA		
44	0339375040	DECAL (English) "CAUTION DO NOT USE EITHER"	1	EA		
45	0008503030	DECAL	1	EA		
46	0008503031	DECAL	1	EA		
47	0579300052	DECAL	2	EA		
48	0339376240	DECAL (English) "IMPORTANT DO NOT DAMAGE RADIATOR"	1	EA		
50	0871086051	DECAL	1	EA		
52	0569300090	DECAL (English)	1	EA		
53	0559300067	DECAL	1	EA	with hoe attachment	
54	0359300052	DECAL (TFM DECAL)	1	EA		

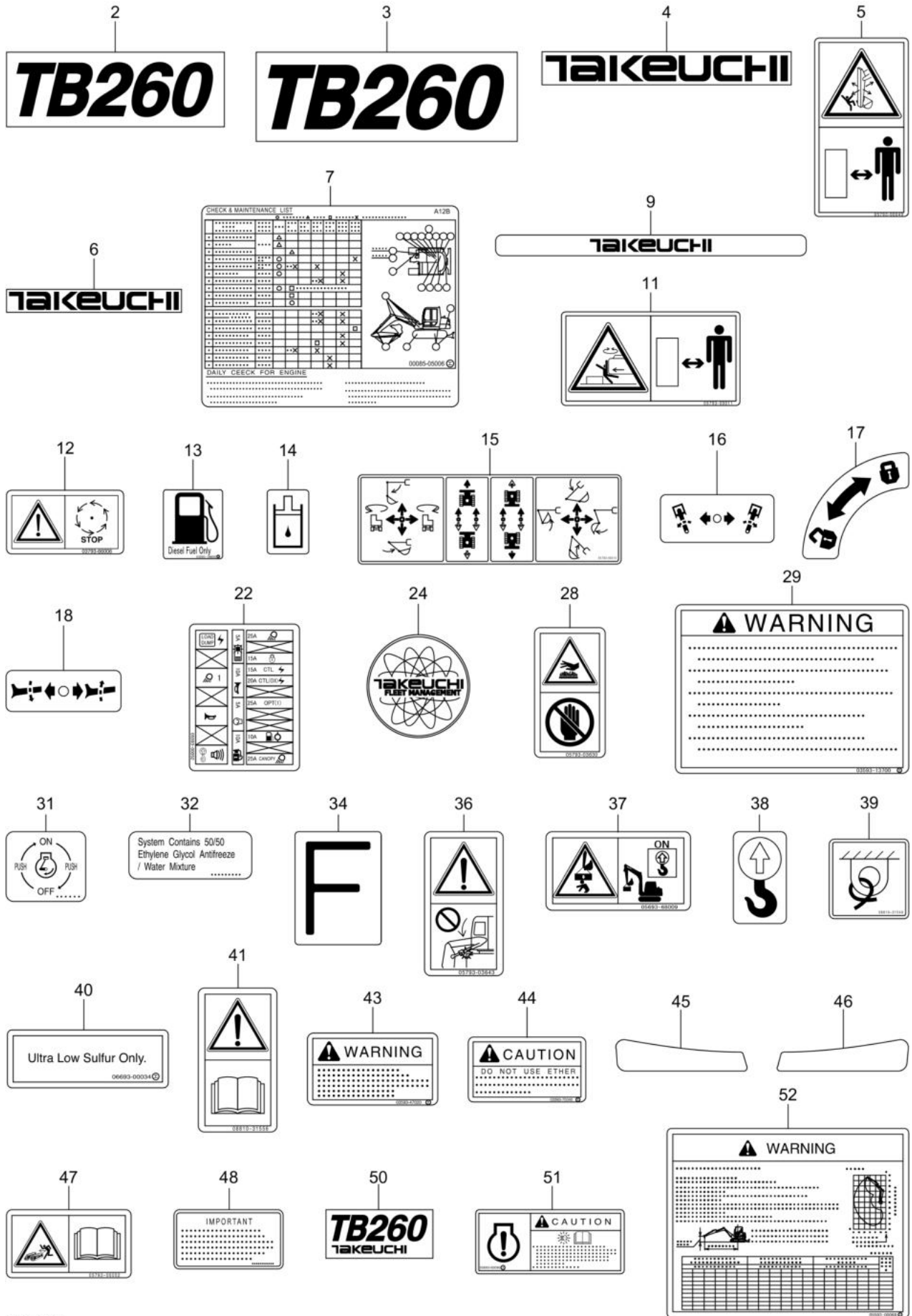


Item	Part No.	Name	Qty	Uom	Remarks	SERIAL NUMBER
0	0559300055	DECAL SET	1	EA		
0		DECAL SET (without TAKEUCHI decals)	1	EA		
2	0008503004	DECAL	2	EA		
3	0008503005	DECAL	1	EA		
4	0008500060	DECAL	3	EA	STD	
5	0579300049	DECAL	2	EA		
6	0008500332	DECAL	1	EA		
7	0008505006	DECAL	1	EA		
9	0559300060	DECAL	1	EA		
11	0579300011	DECAL	2	EA		
12	0379366006	DECAL(English)"CAUTION STOP ENGINE BEFORE OPENING"	1	EA		
13	0359306600	DECAL (English) "DIESEL FUEL ONLY"	1	EA		
14	0359306700	DECAL (HYDRAULIC OIL-SAE SYMBOL)	1	EA		
15	0579300015	DECAL	1	EA		
16	0329360060	DECAL	1	EA		
17	0329360100	DECAL	1	EA		
18	0359325190	DECAL	1	EA		
19	*****	DECAL	1	EA		
20	*****	SCREW	8	EA		
21	*****	DECAL	1	EA		
22	0559300052	DECAL	1	EA		
24	0359300052	DECAL (TFM DECAL)	1	EA		
28	0579303630	DECAL	1	EA		
29	0359313700	DECAL (English) "WARNING"	1	EA		
31	0569335060	DECAL (English)	1	EA		
32	0359313900	DECAL (U.S. TAKEUCHI) (ANTIFREEZE)	1	EA		
33	*****	DECAL	1	EA		
34	0399300400	DECAL	1	EA		
36	0579303643	DECAL	1	EA		
37	0569368009	DECAL	1	EA		
38	0399300500	DECAL (LIFT POINT)	3	EA		
39	0881031549	DECAL (TIE DOWN POINT)	4	EA		
40	0669300034	DECAL (English, for U.S.)	1	EA		
41	0881031556	DECAL	1	EA		
43	0359347020	DECAL (English)	1	EA		

This page intentionally left blank

Item	Part No.	Name	Qty	Uom	Remarks	SERIAL NUMBER
44	0339375040	DECAL (English) "CAUTION DO NOT USE EITHER"	1	EA		
45	0008503030	DECAL	1	EA		
46	0008503031	DECAL	1	EA		
47	0579300052	DECAL	2	EA		
48	0339376240	DECAL (English) "IMPORTANT DO NOT DAMAGE RADIATOR"	1	EA		
49	*****	DECAL	1	EA		
50	0559300063	DECAL	1	EA		
51	0569300090	DECAL (English)	1	EA		
52	0559300068	DECAL	1	EA		

DECAL & TOOL DECAL (canopy) (English, for U.S.) 2



Q1G051b

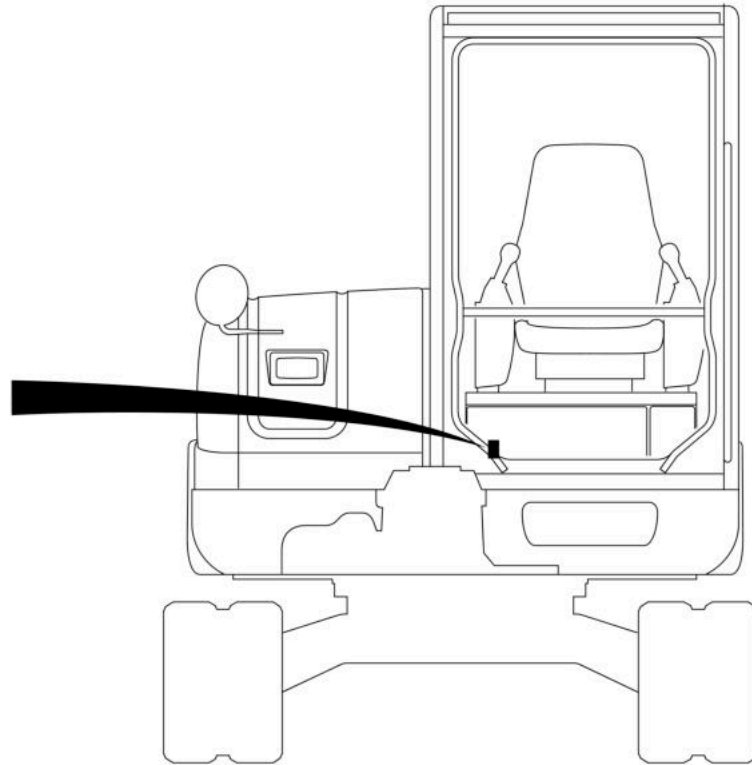
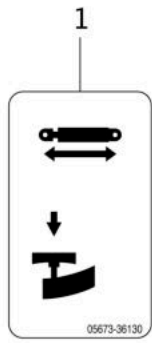
S=free

Item	Part No.	Name	Qty	Uom	Remarks	SERIAL NUMBER
0	0559300055	DECAL SET	1	EA		
0		DECAL SET (without TAKEUCHI decals)	1	EA		
2	0008503004	DECAL	2	EA		
3	0008503005	DECAL	1	EA		
4	0008500060	DECAL	3	EA	STD	
5	0579300049	DECAL	2	EA		
6	0008500332	DECAL	1	EA		
7	0008505006	DECAL	1	EA		
9	0559300060	DECAL	1	EA		
11	0579300011	DECAL	2	EA		
12	0379366006	DECAL(English)"CAUTION STOP ENGINE BEFORE OPENING"	1	EA		
13	0359306600	DECAL (English) "DIESEL FUEL ONLY"	1	EA		
14	0359306700	DECAL (HYDRAULIC OIL-SAE SYMBOL)	1	EA		
15	0579300015	DECAL	1	EA		
16	0329360060	DECAL	1	EA		
17	0329360100	DECAL	1	EA		
18	0359325190	DECAL	1	EA		
22	0559300052	DECAL	1	EA		
24	0359300052	DECAL (TFM DECAL)	1	EA		
28	0579303630	DECAL	1	EA		
29	0359313700	DECAL (English) "WARNING"	1	EA		
31	0569335060	DECAL (English)	1	EA		
32	0359313900	DECAL (U.S. TAKEUCHI) (ANTIFREEZE)	1	EA		
34	0399300400	DECAL	1	EA		
36	0579303643	DECAL	1	EA		
37	0569368009	DECAL	1	EA		
38	0399300500	DECAL (LIFT POINT)	3	EA		
39	0881031549	DECAL (TIE DOWN POINT)	4	EA		
40	0669300034	DECAL (English, for U.S.)	1	EA		
41	0881031556	DECAL	1	EA		
43	0359347020	DECAL (English)	1	EA		
44	0339375040	DECAL (English) "CAUTION DO NOT USE EITHER"	1	EA		
45	0008503030	DECAL	1	EA		
46	0008503031	DECAL	1	EA		
47	0579300052	DECAL	2	EA		

This page intentionally left blank

Item	Part No.	Name	Qty	Uom	Remarks	SERIAL NUMBER
48	0339376240	DECAL (English) "IMPORTANT DO NOT DAMAGE RADIATOR"	1	EA		
50	0559300063	DECAL	1	EA		
51	0569300090	DECAL (English)	1	EA		
52	0559300068	DECAL	1	EA		

DECAL & TOOL DECAL (foot switch)

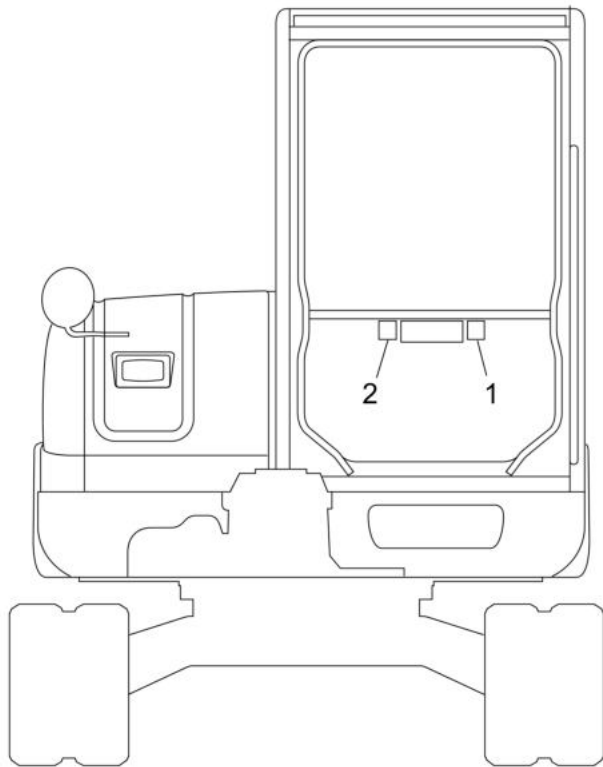


Q0G030

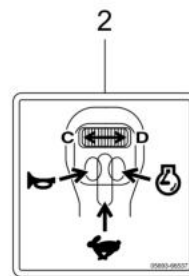
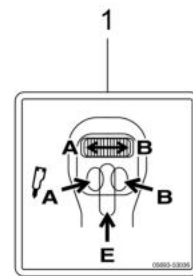
S=fret

Item	Part No.	Name	Qty	Uom	Remarks	SERIAL NUMBER
Not Shown	PNNA	DECAL SET (English)		EA		
1	0567336130	DECAL	1	EA		

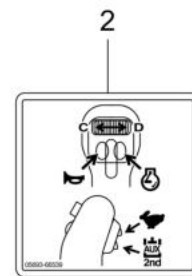
DECAL & TOOL DECAL (grip button) (cab)



Q0G040



3 switch

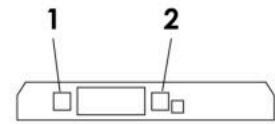
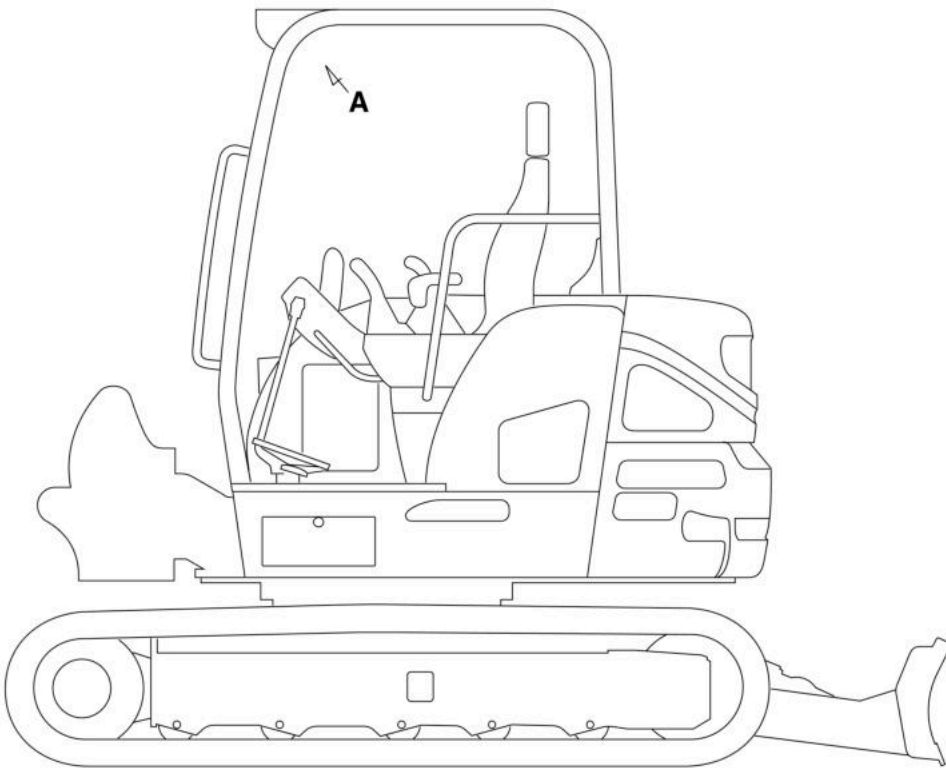


4 switch

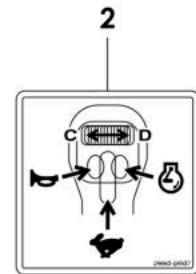
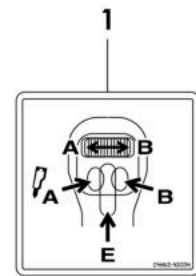
S=free

Item	Part No.	Name	Qty	Uom	Remarks	SERIAL NUMBER
-	PNNA	DECAL SET (3-switch)		EA		
-	PNNA	DECAL SET (4-switch)		EA		
1	0569353036	DECAL	1	EA		
2	0569366537	DECAL (3-switch + slide switch)	1	EA	3-switch	
2	0569366539	DECAL (4-switch)	1	EA	4-switch	

DECAL & TOOL DECAL (grip button) (canopy)



VIEW "A"

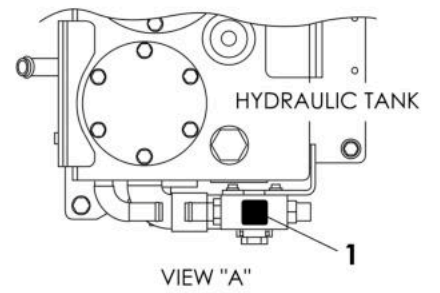
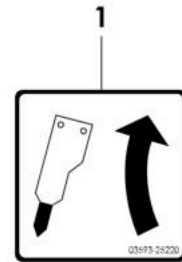
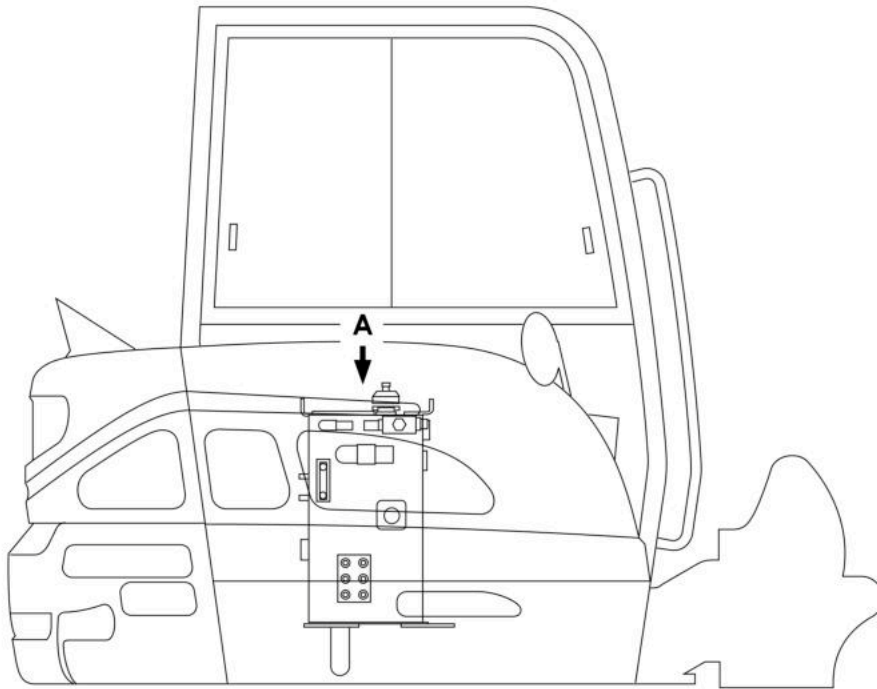


Q1G060

S=free

Item	Part No.	Name	Qty	Uom	Remarks	SERIAL NUMBER
Not Shown	PNNA	DECAL SET (English)		EA		
1	0569353036	DECAL	1	EA		
2	0569366537	DECAL (3-switch + slide switch)	1	EA		

DECAL & TOOL DECAL (breaker)

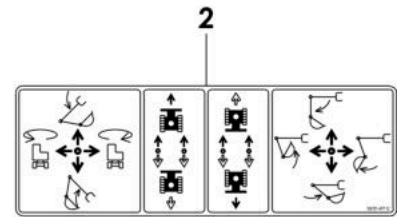
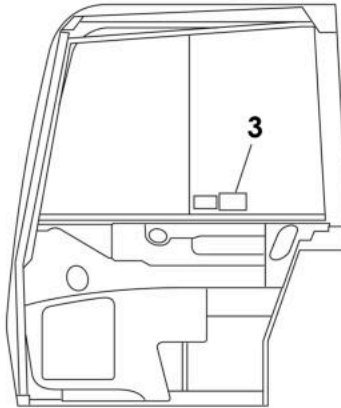
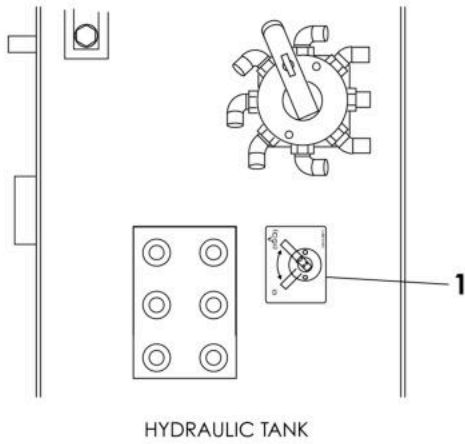
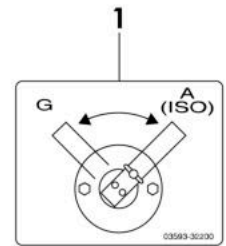
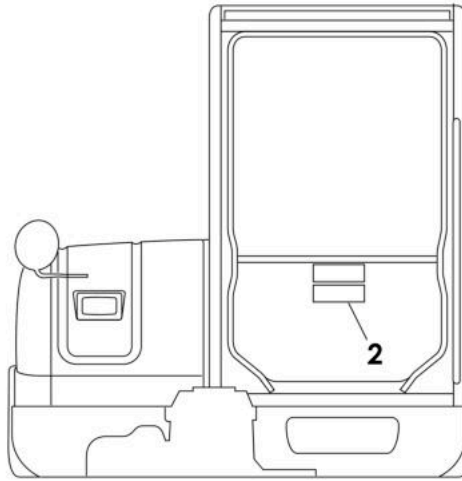
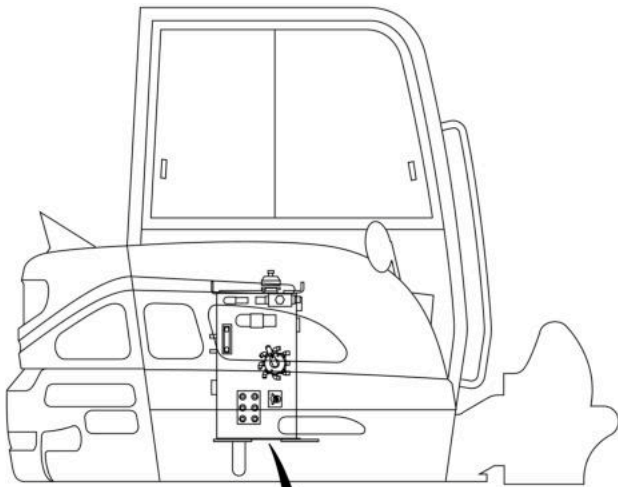


Q0G051

S=free

Item	Part No.	Name	Qty	Uom	Remarks	SERIAL NUMBER
Not Shown	PNNA	DECAL SET (English)		EA		
1	0359325220	DECAL	1	EA		

DECAL & TOOL DECAL (selector valve) (cab)

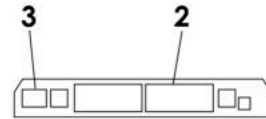
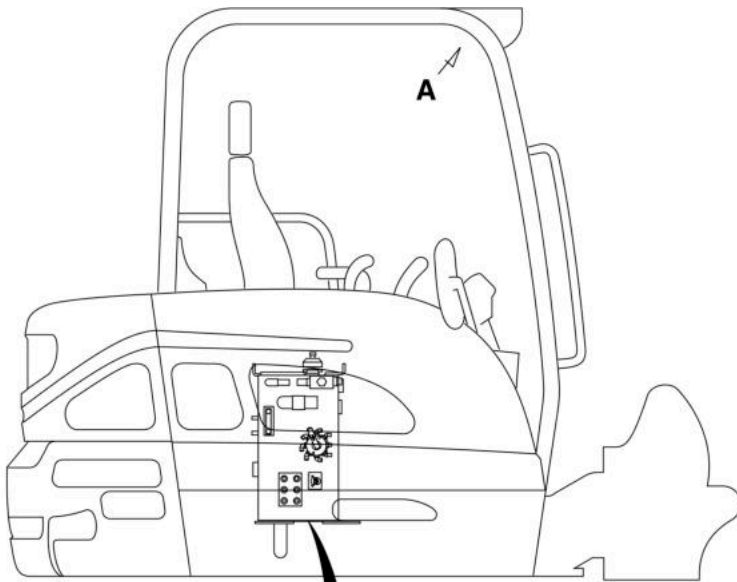


Q1G031

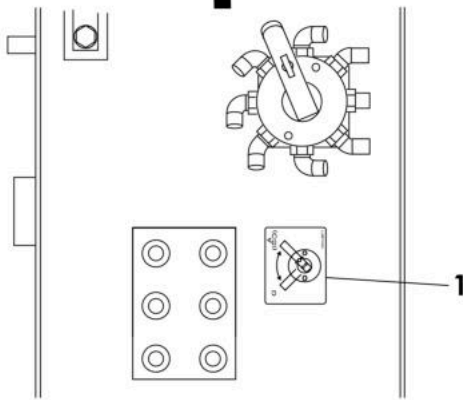
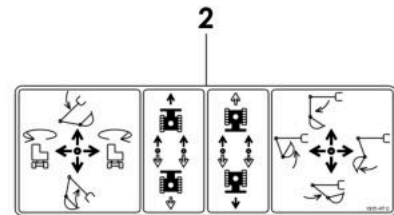
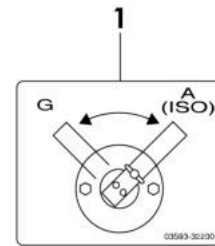
S=free

Item	Part No.	Name	Qty	Uom	Remarks	SERIAL NUMBER
Not Shown	PNNA	DECAL SET (English)		EA		
1	0359332200	DECAL	1	EA		
2	0569349702	DECAL (JCB)	1	EA		
3	0359332300	DECAL (English)	1	EA		

DECAL & TOOL DECAL (selector valve) (canopy)



VIEW "A"



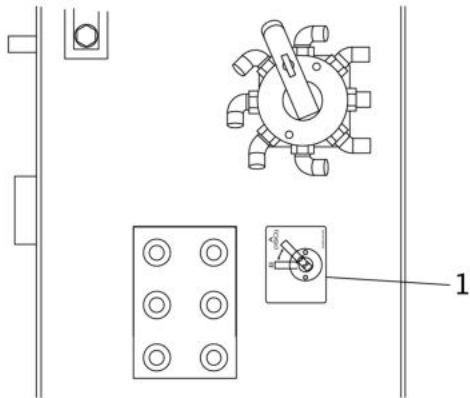
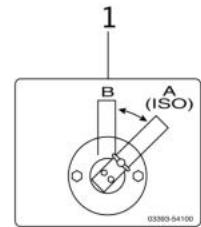
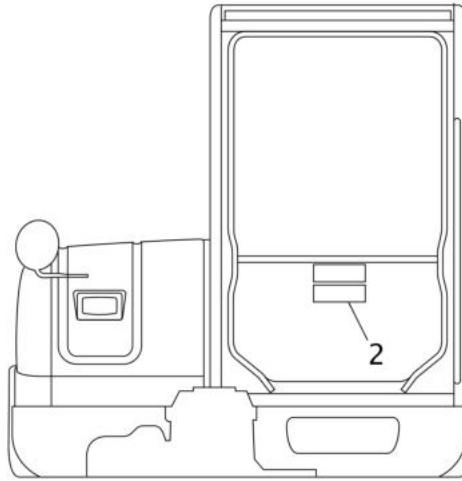
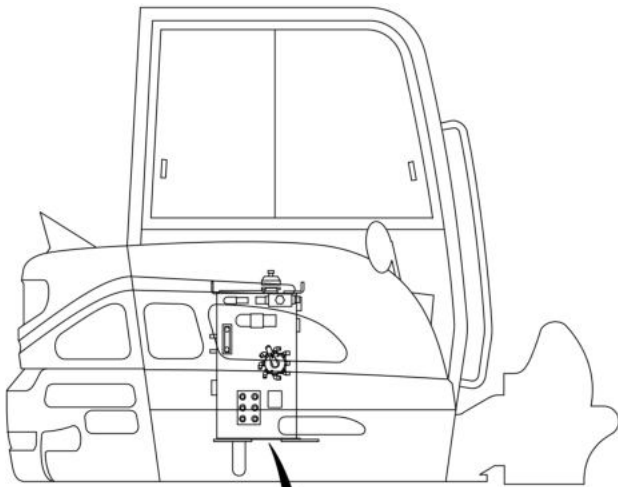
Q1G070

HYDRAULIC TANK

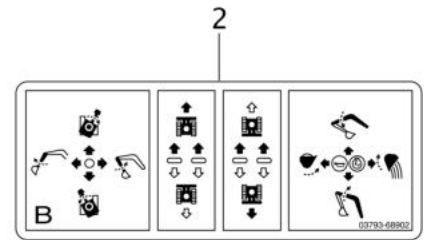
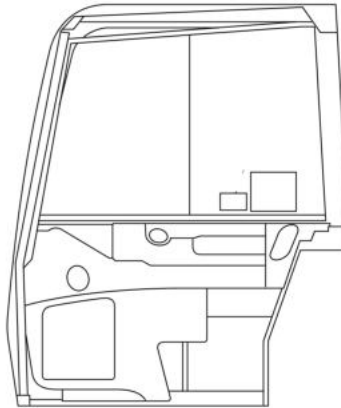
S=free

Item	Part No.	Name	Qty	Uom	Remarks	SERIAL NUMBER
Not Shown	PNNA	DECAL SET (English)		EA		
1	0359332200	DECAL	1	EA		
2	0569349702	DECAL (JCB)	1	EA		
3	0359332300	DECAL (English)	1	EA		

DECAL & TOOL DECAL (selector valve) (A-B pattern)



HYDRAULIC TANK

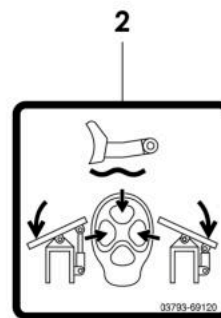
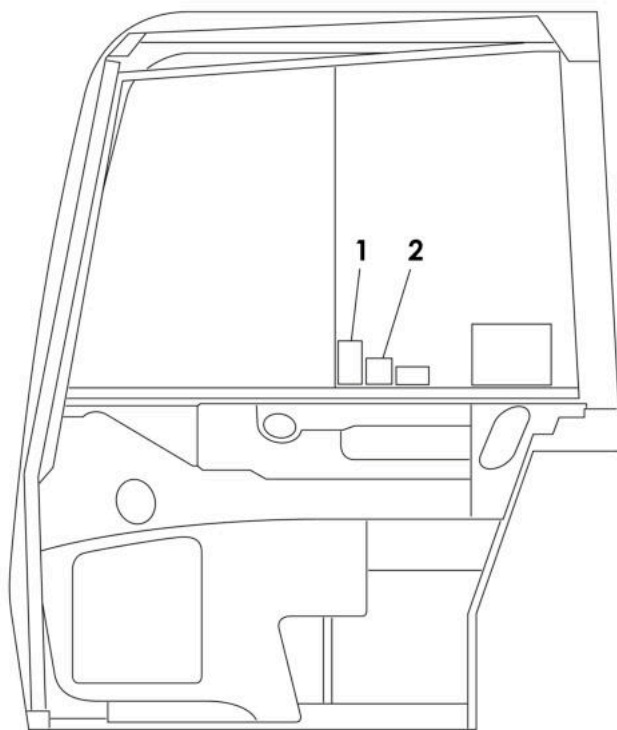


Q1G140

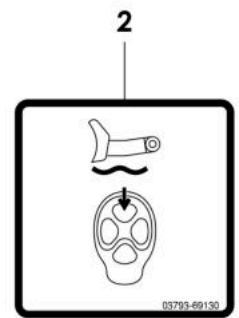
S=fee

Item	Part No.	Name	Qty	Uom	Remarks	SERIAL NUMBER
-	PNNA	DECAL SET (English)		EA		
1	0339354100	DECAL	1	EA		
2	0379368902	DECAL	1	EA		

DECAL & TOOL DECAL (angle blade) (cab)



angle blade type



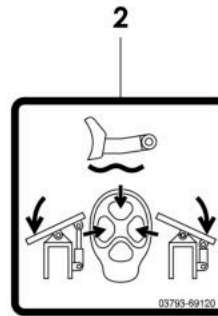
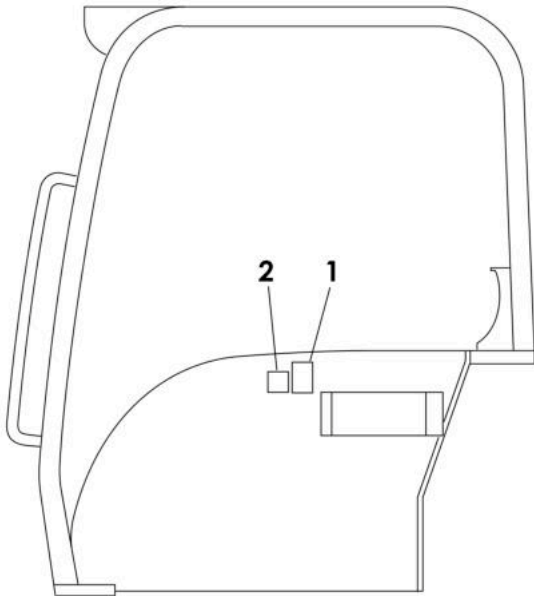
only blade float

Q1G041

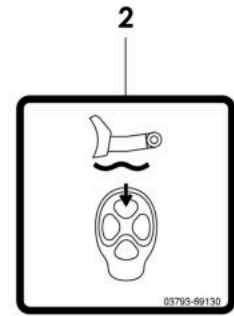
S=FREE

Item	Part No.	Name	Qty	Uom	Remarks	SERIAL NUMBER
Not Shown	PNNA	DECAL SET (angle blade type)		EA		
Not Shown	PNNA	DECAL SET (only blade float)		EA		
1	0379369110	DECAL	1	EA		
2	0379369120	DECAL	1	EA	angle blade type	
2	0379369130	DECAL	1	EA	only blade float	

DECAL & TOOL DECAL (angle blade) (canopy)



angle blade type



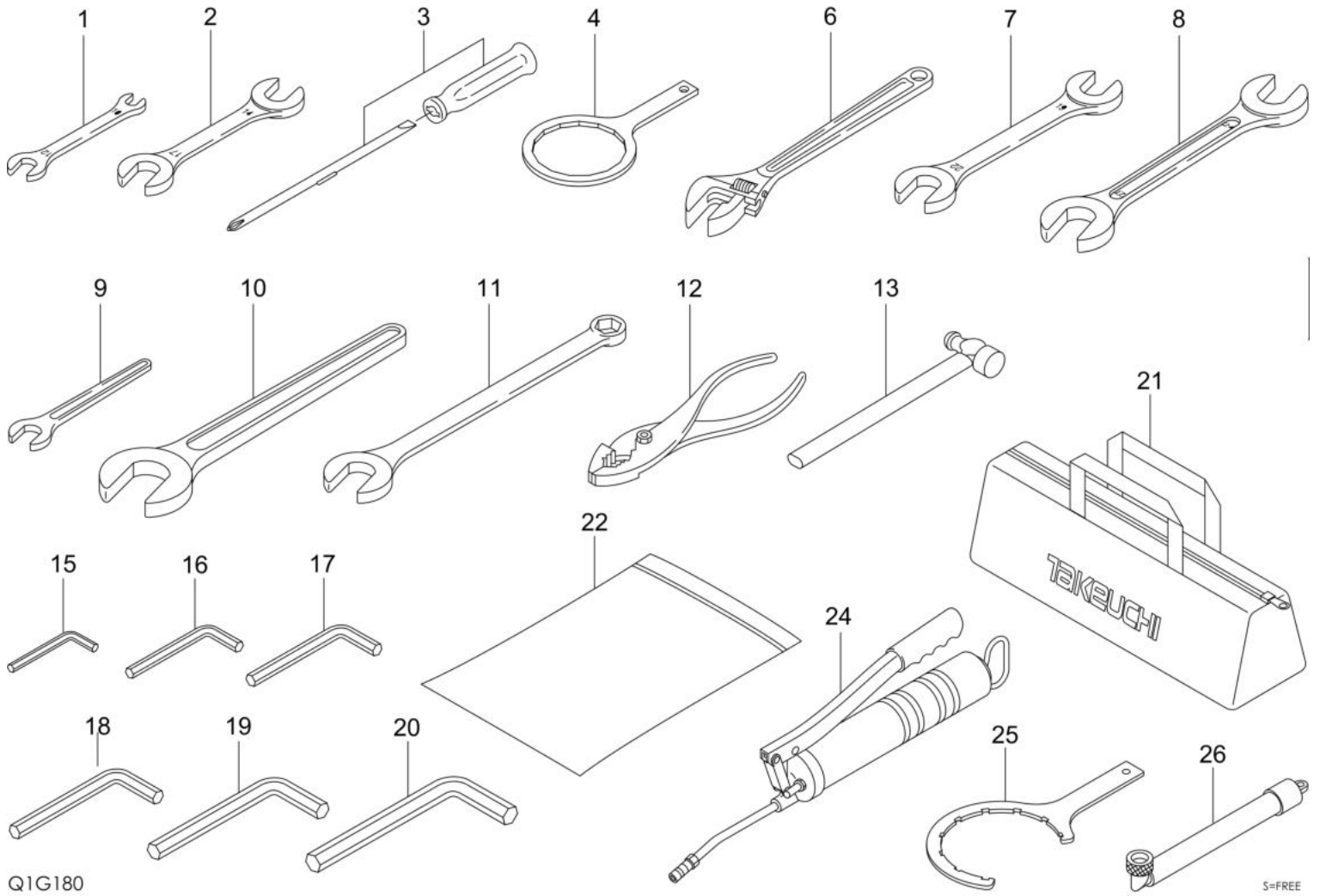
only blade float

Q1G080

S=FREE

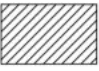


Item	Part No.	Name	Qty	Uom	Remarks	SERIAL NUMBER
Not Shown	PNNA	DECAL SET (angle blade type)		EA		
Not Shown	PNNA	DECAL SET (only blade float)		EA		
1	0379369110	DECAL	1	EA		
2	0379369120	DECAL	1	EA	angle blade type	
2	0379369130	DECAL	1	EA	only blade float	

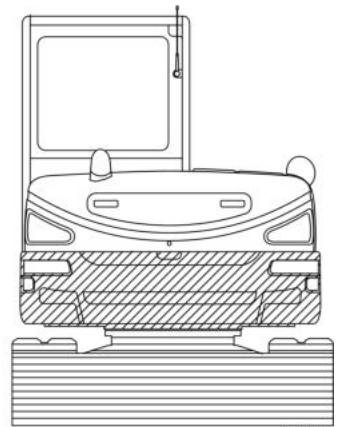
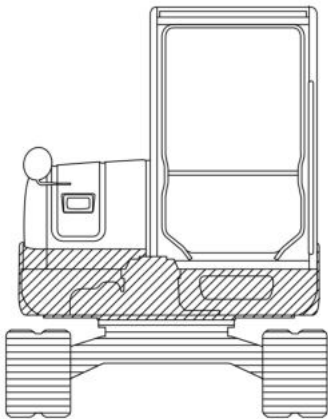
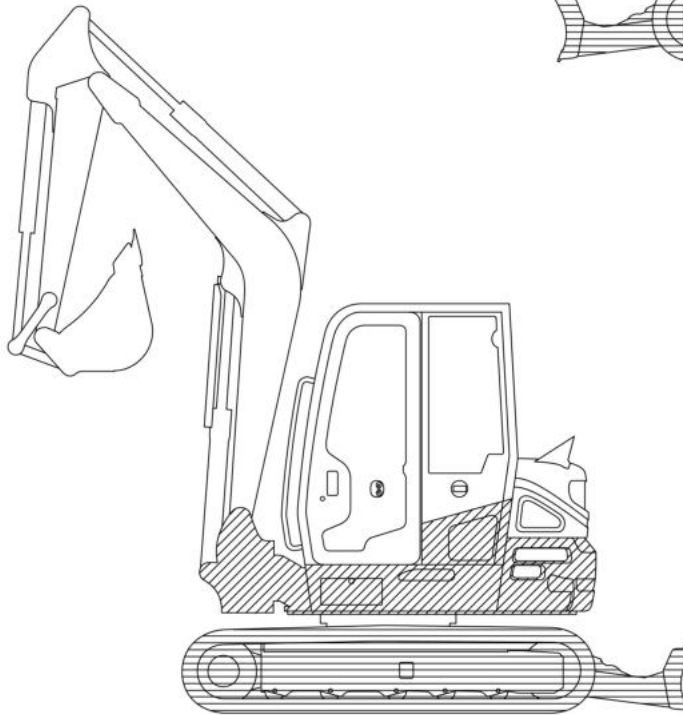
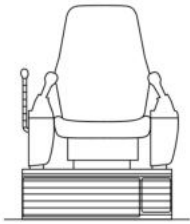
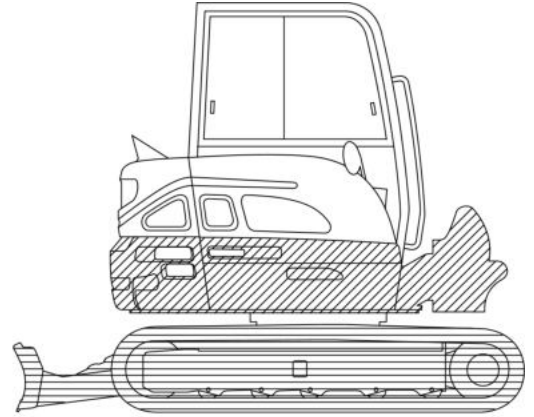
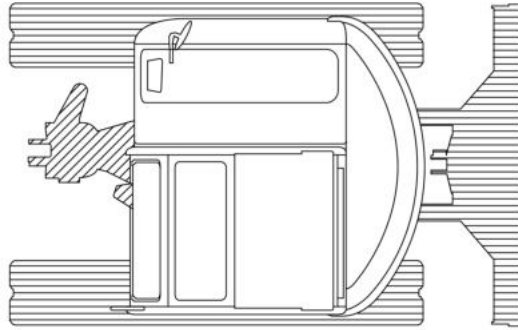
DECAL & TOOL TOOL & ACCESSORIES



Item	Part No.	Name	Qty	Uom	Remarks	SERIAL NUMBER
-	PNNA	TOOL SET		EA		
0	0379207010	TOOL ASSY	1	EA		
1	Y28110-100120	WRENCH (10 X 12)	1	EA	19100-47081	
2	Y28110-140170	WRENCH (14 X 17)	1	EA	19100-47082	
3	Y104200-92350	SCREWDRIVER	1	EA	19100-06112	
4	Y119640-92750	WRENCH, filter	1	EA	19100-65081	
6	1690400250	WRENCH, monkey	1	EA		
7	1690001922	SPANNER	1	EA		
8	1690002427	SPANNER	1	EA		
9	1690100013	SPANNER	1	EA		
10	1690100041	SPANNER	1	EA		
11	1690900026	SPANNER	1	EA		
12	1690500200	PLIER	1	EA		
13	1690300330	HAMMER	1	EA		
15	1690600400	WRENCH, hex	1	EA		
16	1690600500	WRENCH, hex	1	EA		
17	1690600600	WRENCH, hex	1	EA		
18	1690600800	WRENCH, hex	1	EA		
19	1690601000	WRENCH, hex	1	EA		
20	1690601400	WRENCH, hex	1	EA		
21	1691400005	CASE, tool	1	EA		
22	1691900001	CASE	1	EA		
24	1691060610	GREASE GUN	1	EA		
25	1910347081	WRENCH, filter	1	EA		
26	1554512601	TUBE (OIL DRAIN PLUG)	1	EA		

DECAL & TOOL PAINTED COLOR (cab)

- ① 
- ② 
- ③ 
- ④ HYDRAULIC TANK

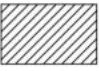




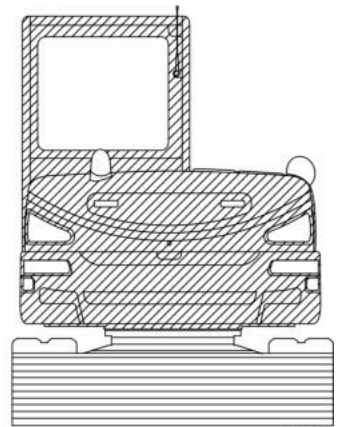
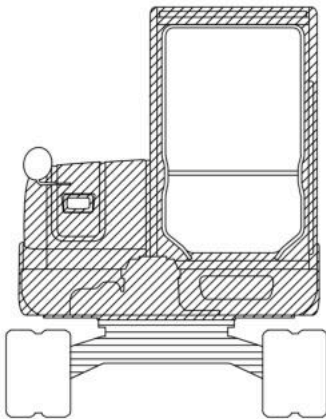
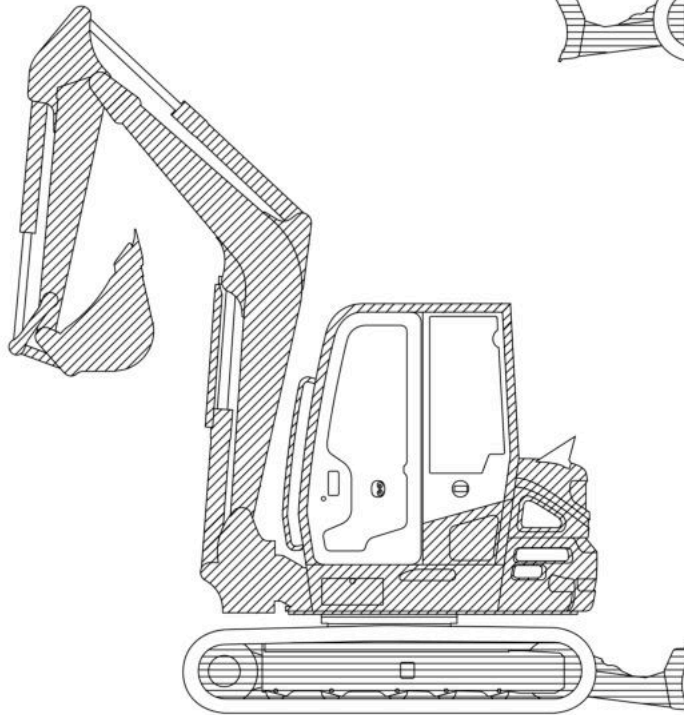
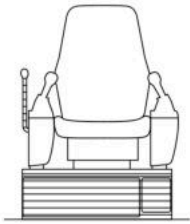
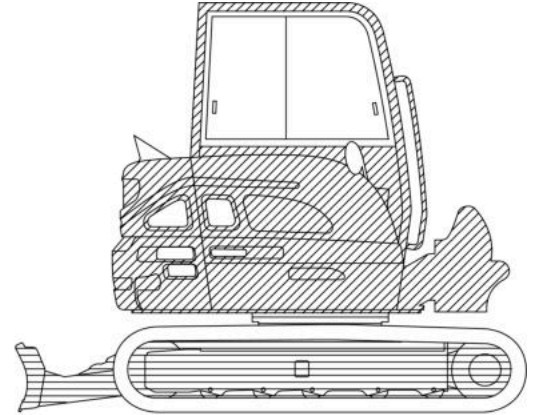
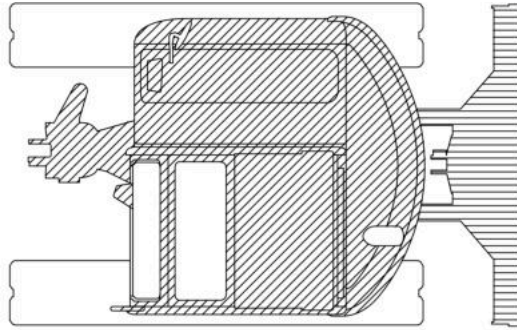
Q0G061

S=FREE

Item	Part No.	Name	Qty	Uom	Remarks	SERIAL NUMBER
-	PNNA	PAINTED COLOR (rubber crawler)		EA		
-	PNNA	PAINTED COLOR (steel crawler)		EA		
1	1919060105	PAINT (QUART) (RED)	1	EA	**MUST SHIP GROUND ONLY**	
1	1919060104	PAINT (AEROSOL) (RED)	1	EA	spray, **MUST SHIP GROUND ONLY**	
2	1919060240	PAINT (GALLON) (MED. GRAY) (070)	1	EA	**MUST SHIP GROUND ONLY**	
2	1919060140	PAINT (AEROSOL) (MED.GRAY) (070)	1	EA	spray, **MUST SHIP GROUND ONLY**	
3	1919060141	PAINT (AEROSOL) (LT. GRAY)	1	EA	**MUST SHIP GROUND ONLY**	
4	1919060103	PAINT (GALLON) (BLACK)	1	EA	**MUST SHIP GROUND ONLY**	
5	1919060231	PAINT (TURMERIC YELLOW) - NO LONGER AVAILABLE	1	EA	ITEM NOT PICTURED; FITTING, GREASE	
-	PNNA	The part of the steel crawler uses item 2.		EA		

DECAL & TOOL PAINTED COLOR (cab) (for Sunbelt Rentals)

- ① 
- ② 
- ③ 
- ④ HYDRAULIC TANK






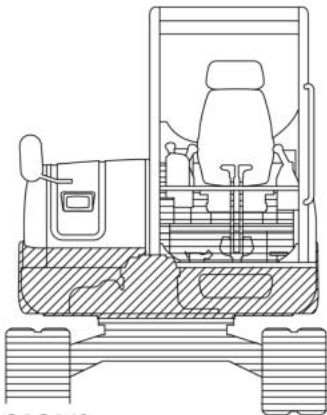
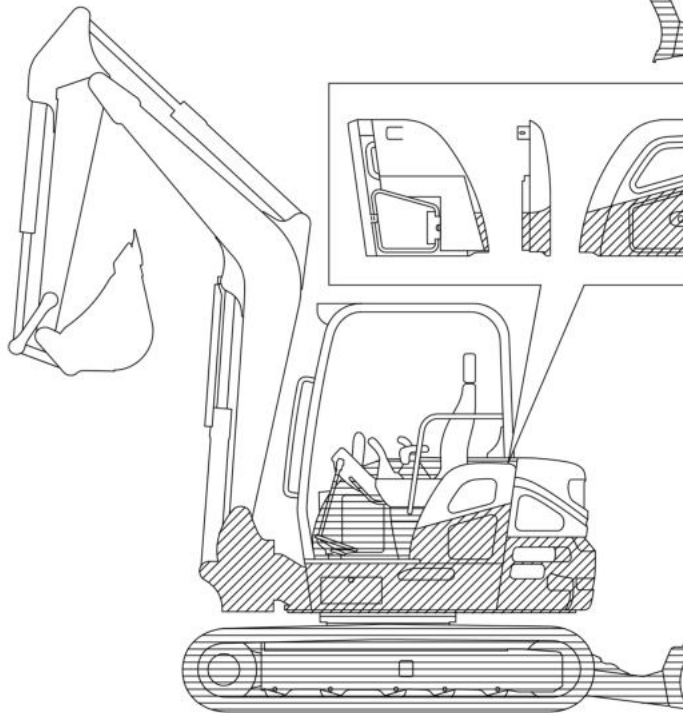
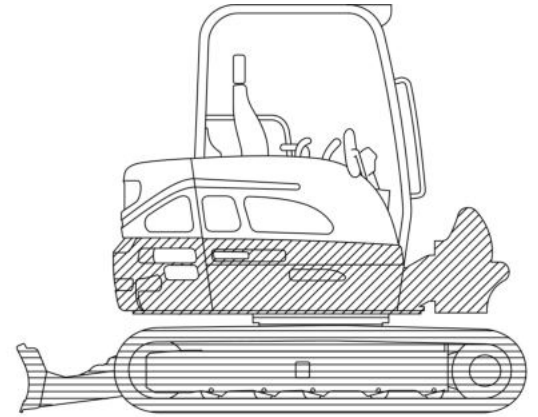
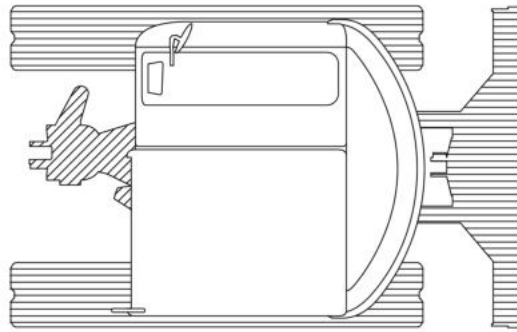
Q1G150

S=FREE

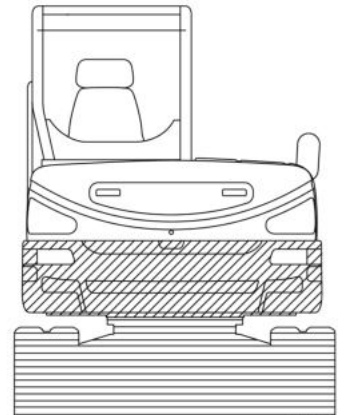
Item	Part No.	Name	Qty	Uom	Remarks	SERIAL NUMBER
Not Shown	PNNA	PAINTED COLOR		EA		
2	1919060240	PAINT (GALLON) (MED. GRAY) (070)	1	EA	**MUST SHIP GROUND ONLY**	
2	1919060140	PAINT (AEROSOL) (MED.GRAY) (070)	1	EA	spray, **MUST SHIP GROUND ONLY**	
4	1919060103	PAINT (GALLON) (BLACK)	1	EA	**MUST SHIP GROUND ONLY**	

DECAL & TOOL PAINTED COLOR (canopy)

- ① 
- ② 
- ③ 
- ④ HYDRAULIC TANK



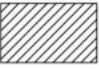


Q1G160

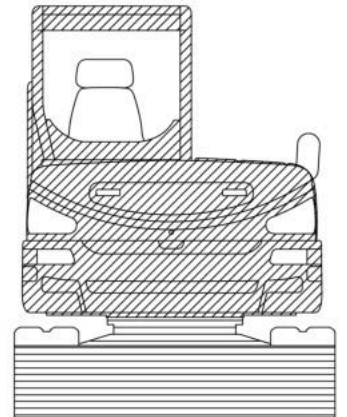
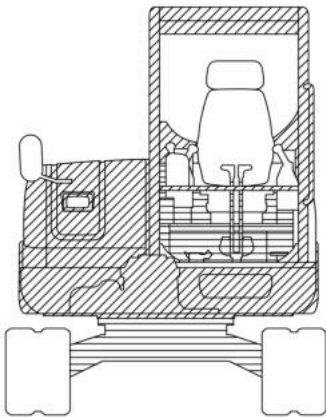
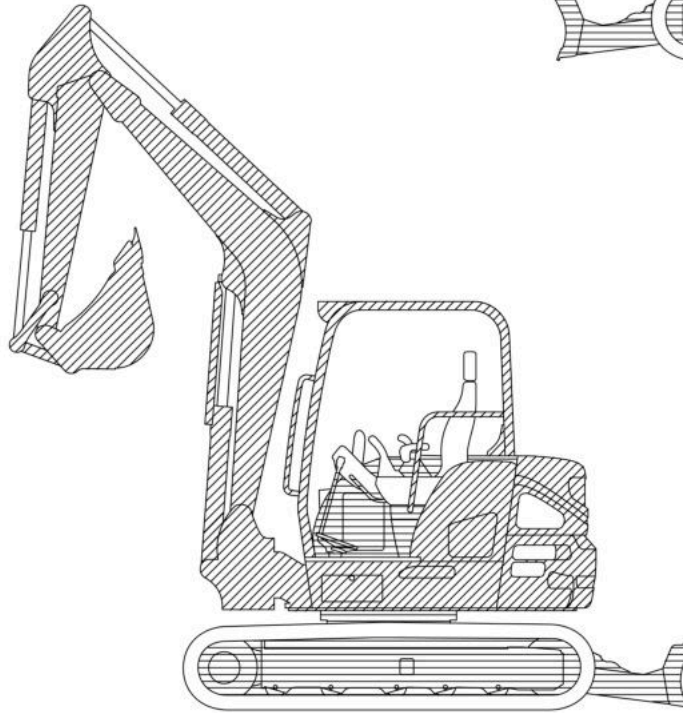
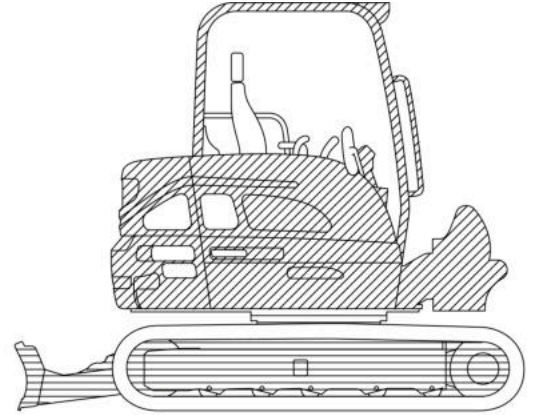
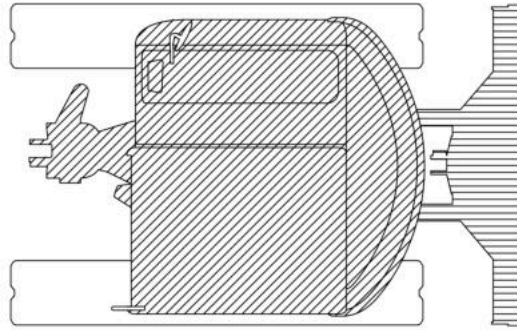


S=FREE

Item	Part No.	Name	Qty	Uom	Remarks	SERIAL NUMBER
Not Shown	PNNA	PAINTED COLOR (rubber crawler)		EA		
Not Shown	PNNA	PAINTED COLOR (steel crawler)		EA		
1	1919060105	PAINT (QUART) (RED)	1	EA	**MUST SHIP GROUND ONLY**	
1	1919060104	PAINT (AEROSOL) (RED)	1	EA	spray, **MUST SHIP GROUND ONLY**	
2	1919060240	PAINT (GALLON) (MED. GRAY) (070)	1	EA	**MUST SHIP GROUND ONLY**	
2	1919060140	PAINT (AEROSOL) (MED.GRAY) (070)	1	EA	spray, **MUST SHIP GROUND ONLY**	
3	1919060141	PAINT (AEROSOL) (LT. GRAY)	1	EA	**MUST SHIP GROUND ONLY**	
4	1919060103	PAINT (GALLON) (BLACK)	1	EA	**MUST SHIP GROUND ONLY**	
-	PNNA	The part of the steel crawler uses item 2.		EA		

DECAL & TOOL PAINTED COLOR (canopy) (for Sunbelt Rentals)

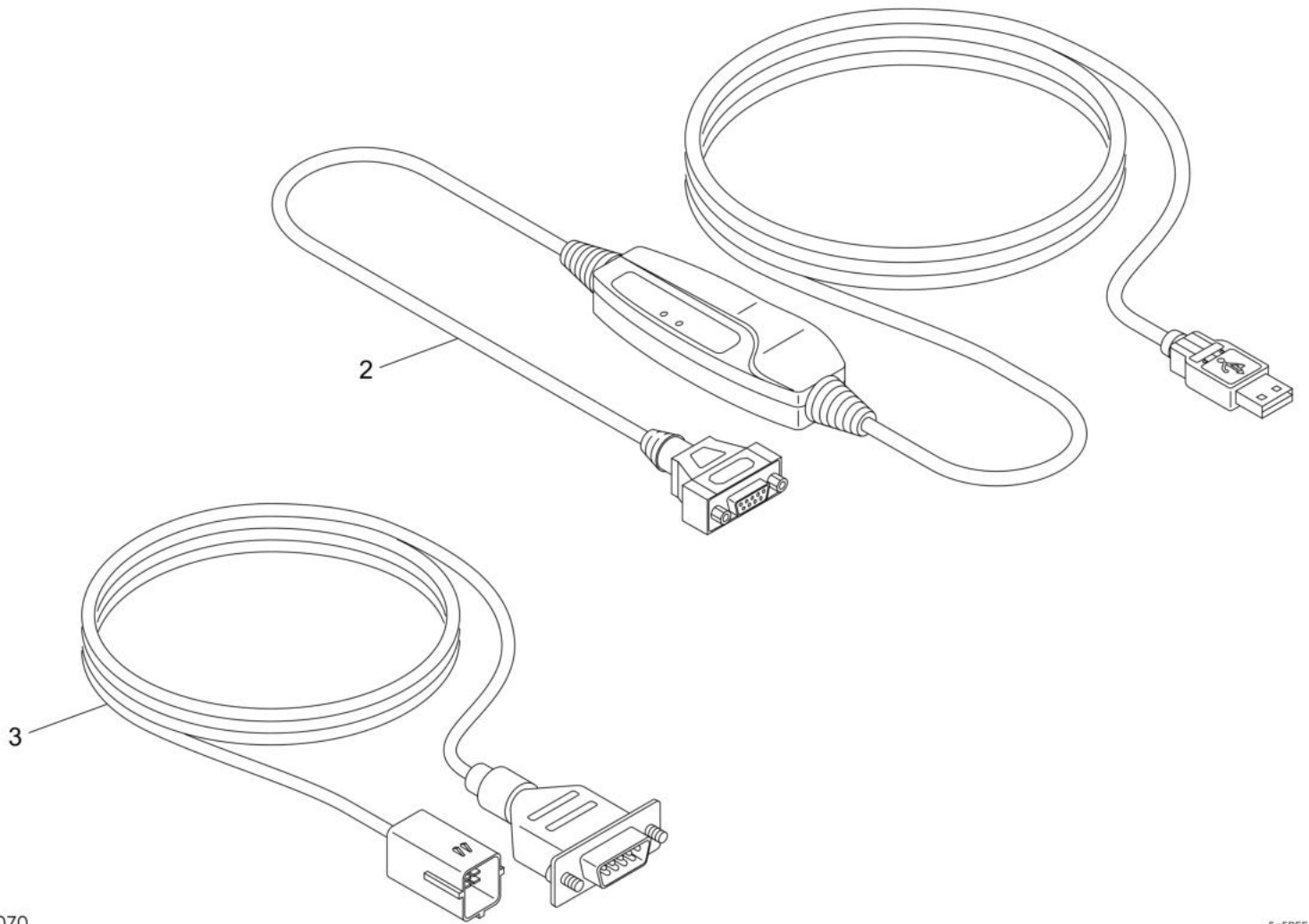
- ① 
- ② 
- ③ 
- ④ HYDRAULIC TANK



Q1G170

S=FREE

Item	Part No.	Name	Qty	Uom	Remarks	SERIAL NUMBER
Not Shown	PNNA	PAINTED COLOR		EA		
2	1919060240	PAINT (GALLON) (MED. GRAY) (070)	1	EA	**MUST SHIP GROUND ONLY**	
2	1919060140	PAINT (AEROSOL) (MED.GRAY) (070)	1	EA	spray, **MUST SHIP GROUND ONLY**	
4	1919060103	PAINT (GALLON) (BLACK)	1	EA	**MUST SHIP GROUND ONLY**	

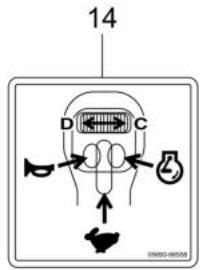
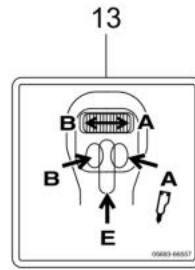
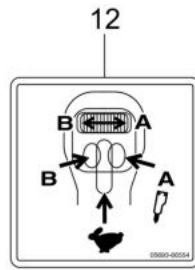
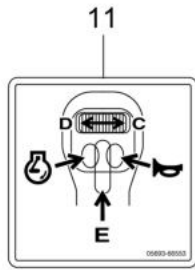
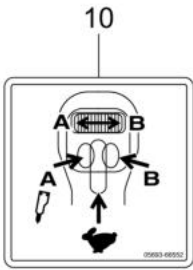
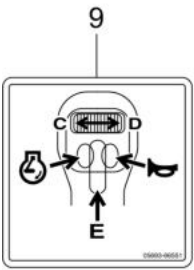
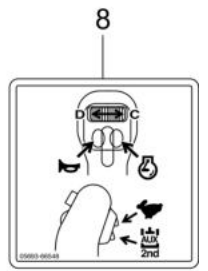
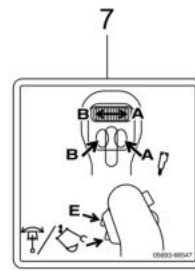
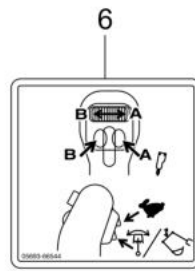
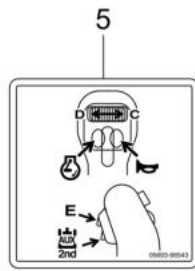
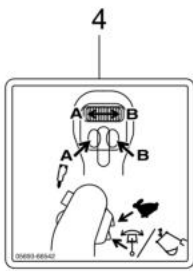
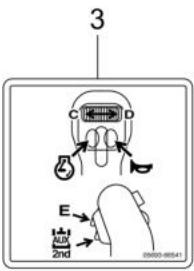
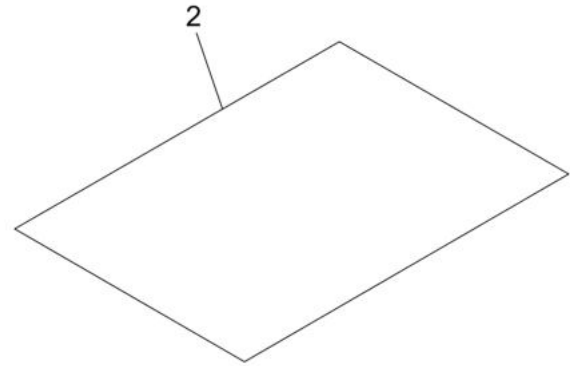
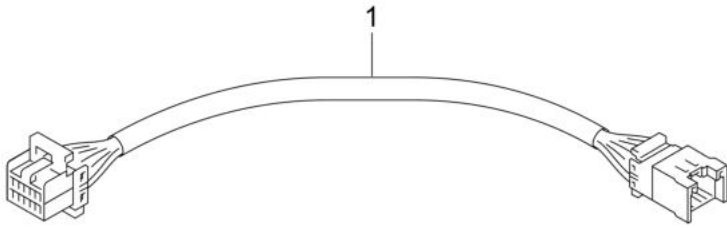


U6G070

S=FREE

Item	Part No.	Name	Qty	Uom	Remarks	SERIAL NUMBER
-	PNNA	TOOL ASSY, service		EA		
2	1730141810	TOOL, maintenance (FOR TAKEUCHI SVC TOOL) (1/2)	1	EA		
3	1730141820	CABLE ASSY (FOR TAKEUCHI SERVICE TOOL) (2/2)	1	EA		

DECAL & TOOL GRIP PATTERN CHANGE KIT

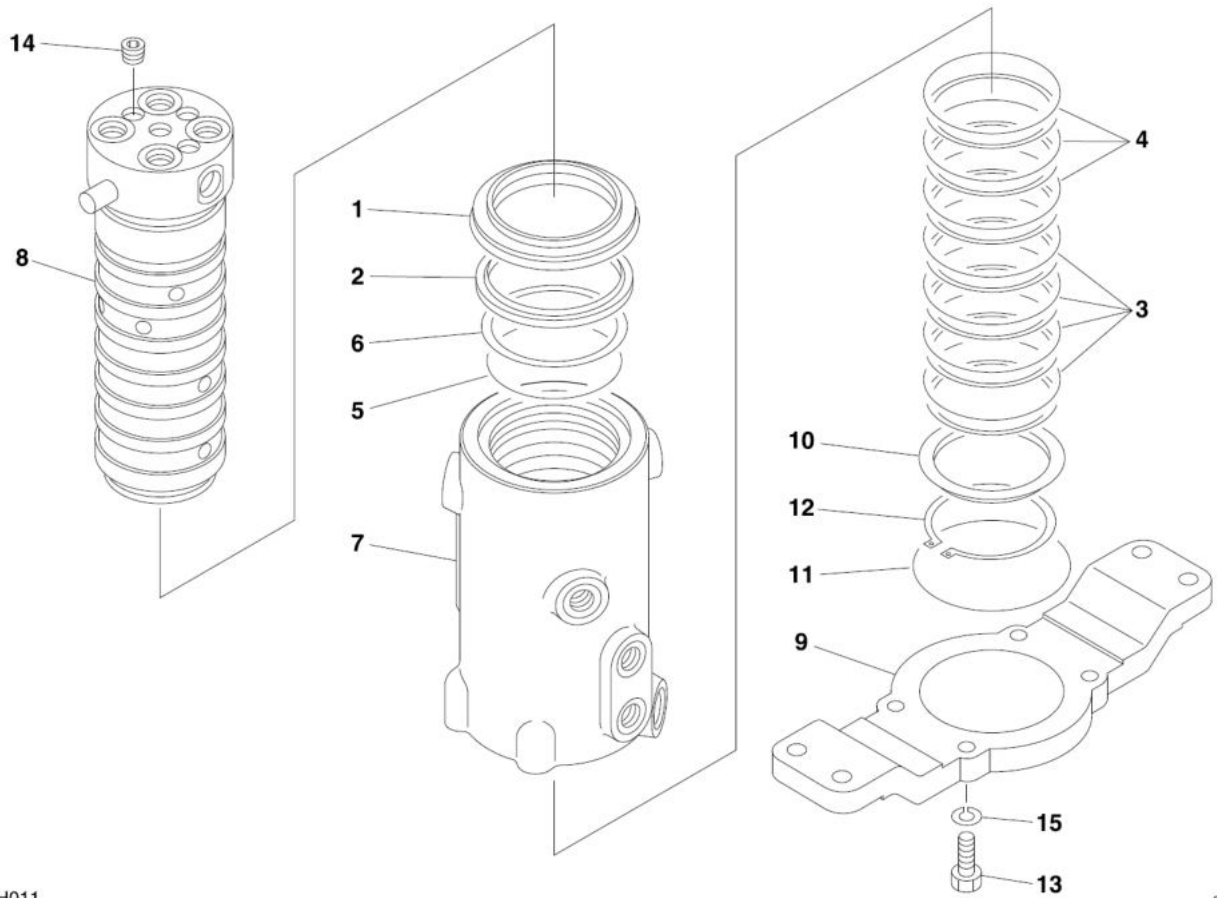


M3G090

S=FREE

Item	Part No.	Name	Qty	Uom	Remarks	SERIAL NUMBER
0	0550100016	CHANGE KIT, grip pattern	1	EA		
1	0564264011	HARNES, wire	1	EA		
2	0550100017	MANUAL	1	EA	SEE CHAPTER 6 "OTHER" IN SERVICE MANUAL	
3	0569366541	DECAL	1	EA		
4	0569366542	DECAL	1	EA		
5	0569366543	DECAL	1	EA		
6	0569366544	DECAL	1	EA		
7	0569366547	DECAL	1	EA		
8	0569366548	DECAL	1	EA		
9	0569366551	DECAL	1	EA		
10	0569366552	DECAL	1	EA		
11	0569366553	DECAL	1	EA		
12	0569366554	DECAL	1	EA		
13	0569366557	DECAL	1	EA		
14	0569366558	DECAL	1	EA		

HYDRAULIC DEVICE SWIVEL JOINT

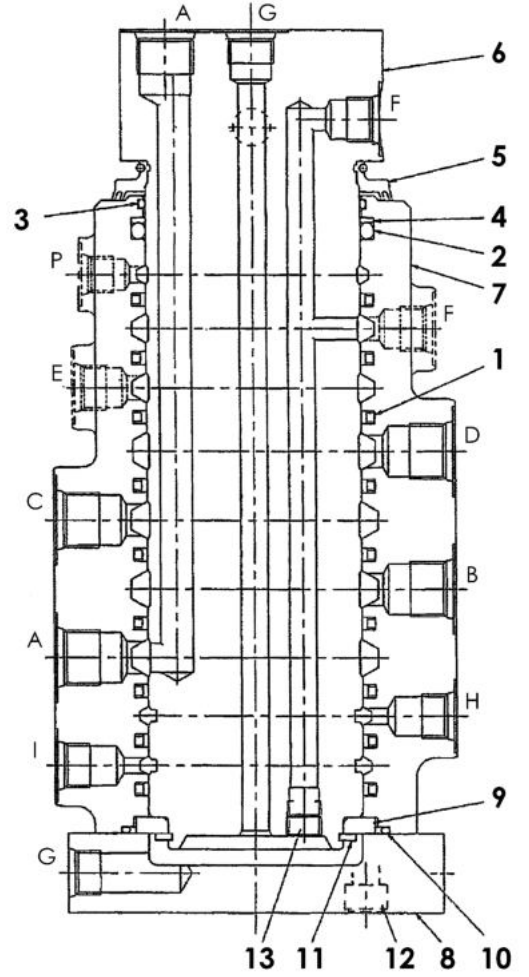
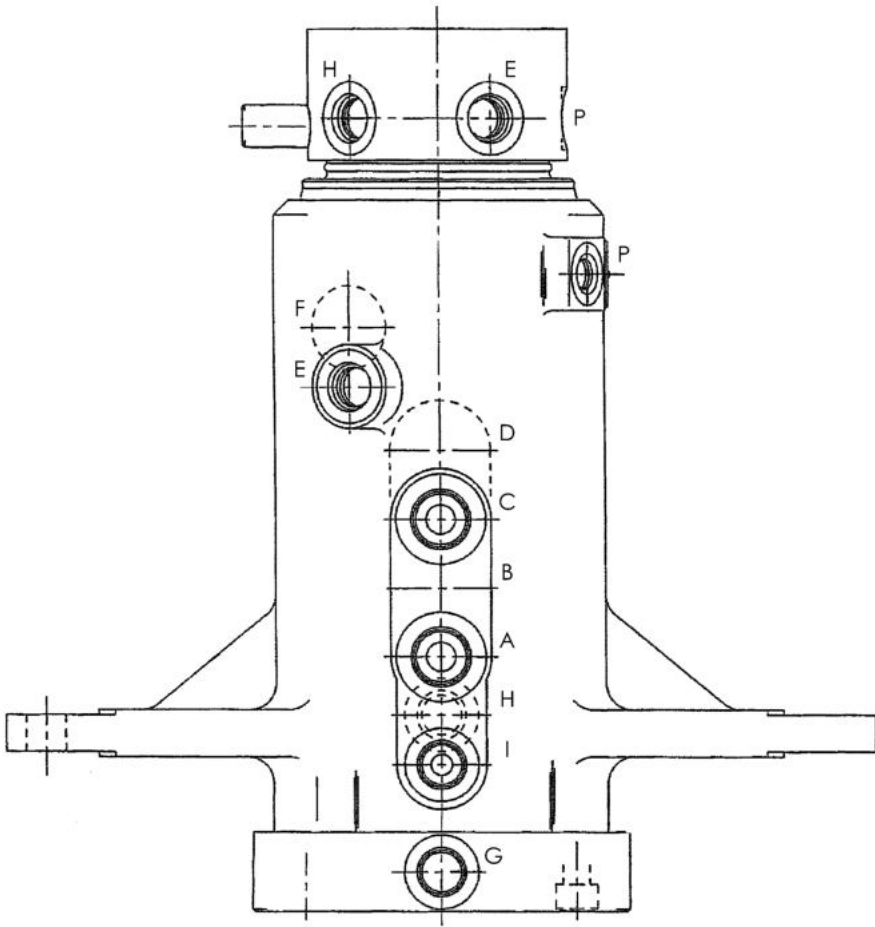


K3H011

S-1/4

Item	Part No.	Name	Qty	Uom	Remarks	SERIAL NUMBER
0	1904006300	JOINT, swivel	1	EA		
0-1	1904006399	KIT, seal (DOESNT INCLUDE WEAR RINGS)	1	EA		
1	1904002391	SEAL, dust	1	EA		
2	1904000494	SEAL, dust	1	EA		
3	1904004506	SEAL, slipper	4	EA		
4	1904004506	SEAL, slipper	3	EA		
5	1420010800	O-RING	1	EA		
6	1421030800	RING, back-up	1	EA		
7	1904006301	HUB	1	EA		
8	1904006311	SHAFT	1	EA		
9	1904003621	FLANGE	1	EA		
10	1904003691	SPACER	1	EA		
11	1420110950	O-RING	1	EA		
12	1220000072	RING, snap	1	EA		
13	1100051030	BOLT	4	EA		
14	1501820002	PLUG	3	EA		
15	1140020010	WASHER, spring	4	EA		

HYDRAULIC DEVICE SWIVEL JOINT (angle blade type)

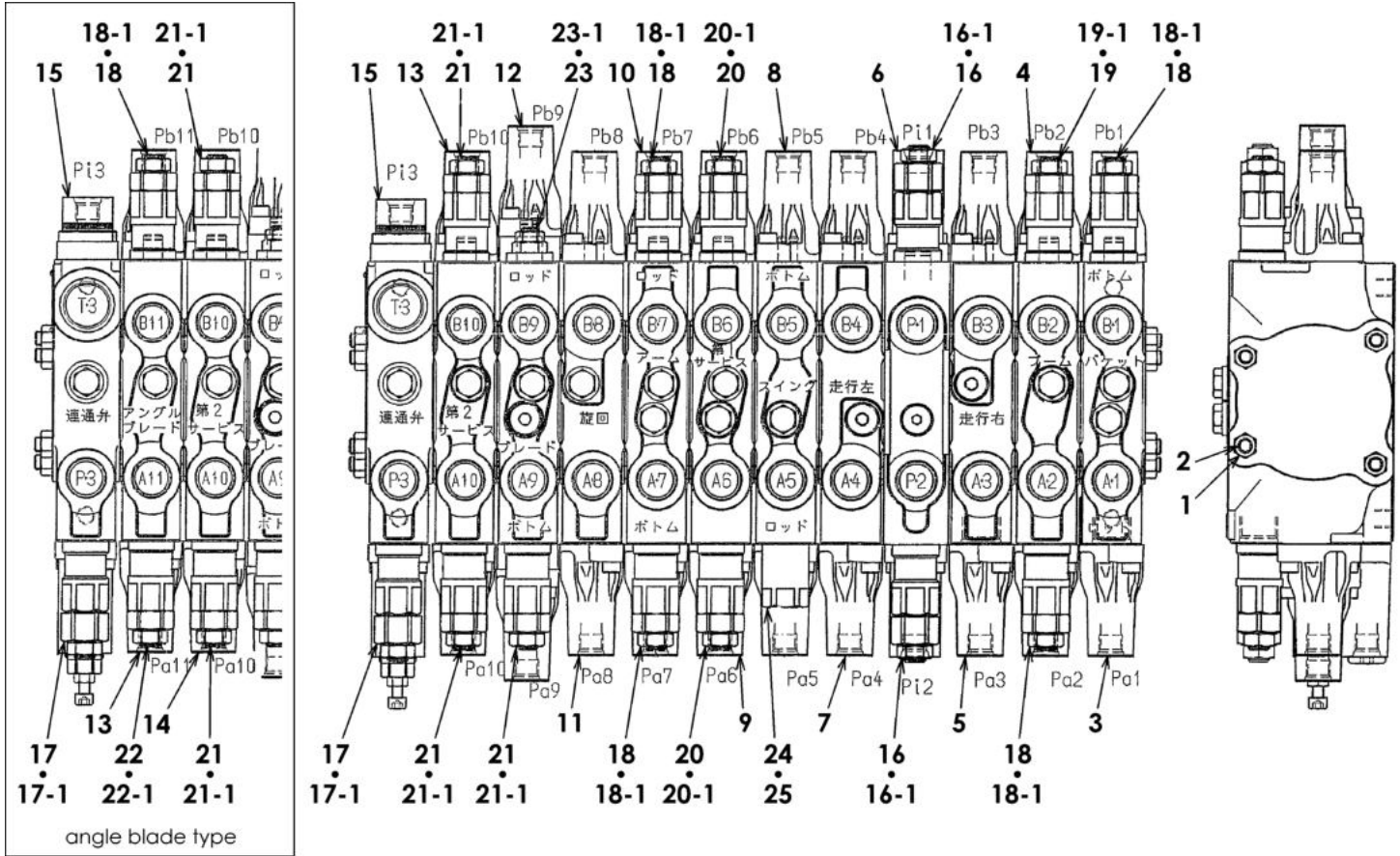


M1H010

S=FREE

Item	Part No.	Name	Qty	Uom	Remarks	SERIAL NUMBER
0	1904009500	JOINT, swivel	1	EA		
0-1	1904009599	KIT, seal	1	EA		
1	1904009592	SEAL	9	EA		
2	1420010800	O-RING	1	EA		
3	1420100800	O-RING	1	EA		
4	1421030800	RING, back-up	1	EA		
5	1904002391	SEAL, dust	1	EA		
6	1904009511	SHAFT	1	EA		
7	1904009501	HUB	1	EA		
8	1904009591	FLANGE	1	EA		
9	1904008992	SPACER	1	EA		
10	1420110950	O-RING	1	EA		
11	1220000065	RING, snap	1	EA		
12	1110051035	SCREW, cap	4	EA		
13	1501820002	PLUG	5	EA		

HYDRAULIC DEVICE CONTROL VALVE

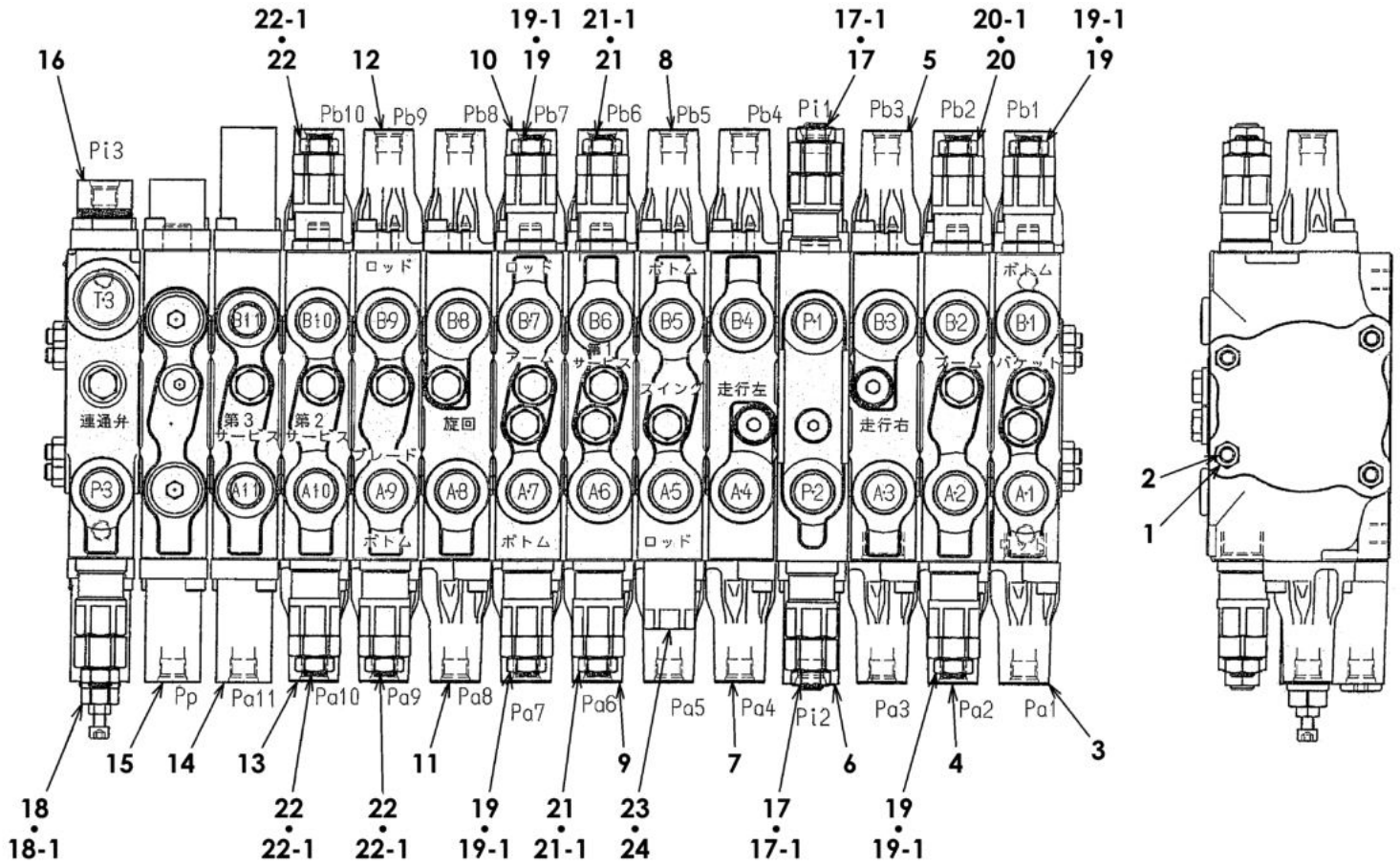


Q1H010

S-free

Item	Part No.	Name	Qty	Uom	Remarks	SERIAL NUMBER
0	1901051800	VALVE, control	1	EA		
0	1901051900	VALVE, control (ANGLE BLADE)	1	EA		
1	1130050008	NUT	8	EA		
2	1901043207	ROD, tie	4	EA		
2	1901051907	ROD, tie (angle blade type)	4	EA		
3	1901051713	BLOCK ASSY, No. 1	1	EA	bucket	
4	1901048011	BLOCK ASSY, boom	1	EA	boom	
5	1901046215	BLOCK ASSY, No. 3	1	EA	traction R.H.	
6	1901051703	BLOCK ASSY, No. 4	1	EA	P1, P2	
7	1901051716	BLOCK ASSY, No. 5	1	EA	traction L.H.	
8	1901051718	BLOCK ASSY, No. 6	1	EA	swing	
9	1901046919	BLOCK ASSY, No. 7	1	EA	auxiliary	
10	1901051712	BLOCK, valve	1	EA	arm	
11	1901051714	BLOCK ASSY, No. 9	1	EA	slew	
12	1901051817	BLOCK ASSY, No. 10	1	EA	blade	
13	1901046319	BLOCK ASSY, No. 12	1	EA	auxiliary 2, angle	
14	1901051719	BLOCK ASSY, No. 11	1	EA	auxiliary 2	
15	1901051796	BLOCK ASSY, No. 14	1	EA	T3, P3	
16	1901051721	VALVE ASSY	2	EA	relief	
16-1	1420310910	O-RING	1	EA		
17	1901051722	VALVE ASSY	1	EA	relief	
17-1	1420310910	O-RING	1	EA		
18	1901051723	VALVE ASSY (ANGLE BLADE TYPE)	4	EA	relief	
18	1901051723	VALVE ASSY (ANGLE BLADE TYPE)	5	EA	relief	
18-1	1420310910	O-RING	1	EA		
19	1901051724	VALVE ASSY	1	EA	relief	
19-1	1420310910	O-RING	1	EA		
20	1901051725	VALVE ASSY	2	EA	relief	
20-1	1420310910	O-RING	1	EA		
21	1901051795	VALVE ASSY	3	EA	relief	
21-1	1420310910	O-RING	1	EA		
22	1901051925	VALVE ASSY (angle blade type)	1	EA	relief	
22-1	1420310910	O-RING	1	EA		
23	1901042626	VALVE ASSY	1	EA	shut-off	
23-1	1420310910	O-RING	1	EA		
24	1901042625	VALVE ASSY	1	EA	anti-void	
25	1420310910	O-RING	1	EA		

HYDRAULIC DEVICE CONTROL VALVE (with 3rd aux. line)

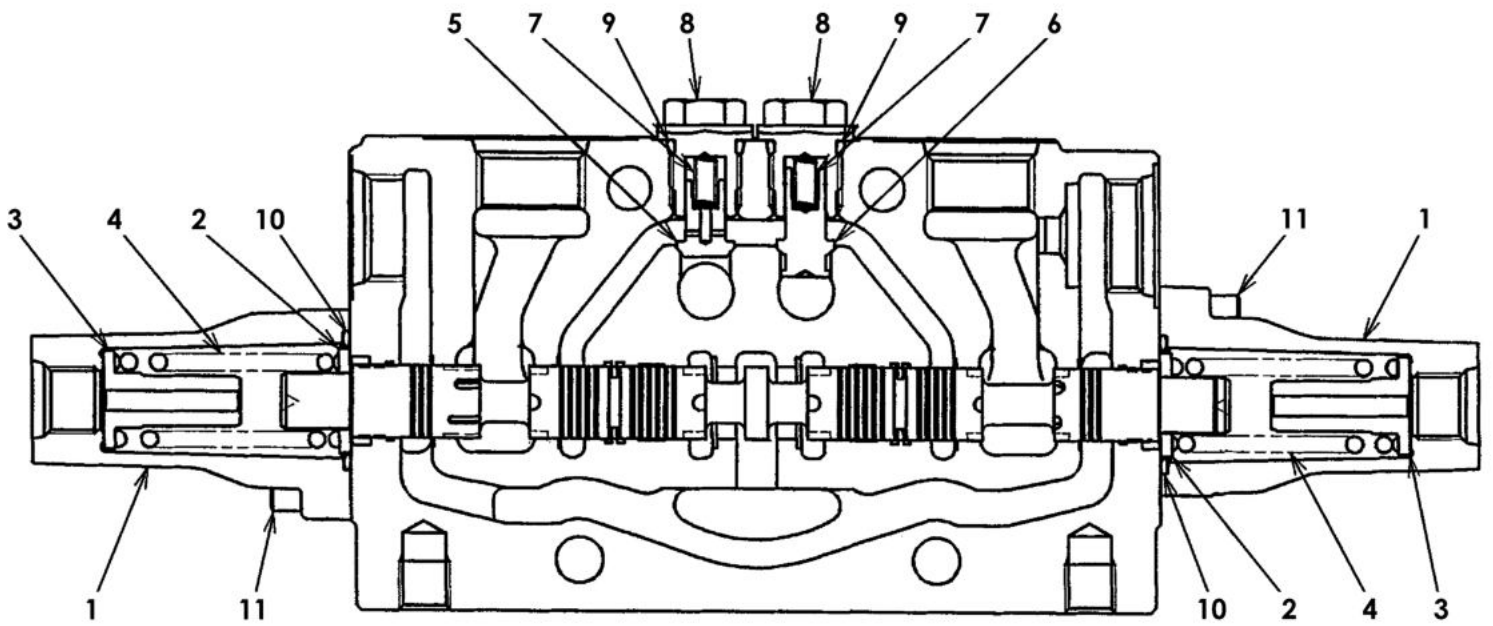
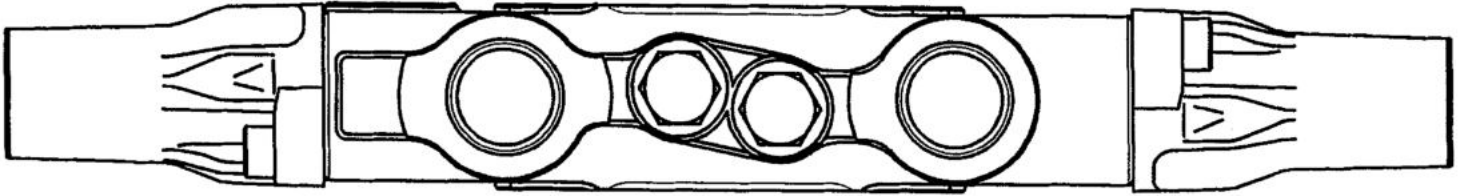


Q0H030

S=free

Item	Part No.	Name	Qty	Uom	Remarks	SERIAL NUMBER
0	1901051700	VALVE, control	1	EA		
1	1130050008	NUT	8	EA		
2	1901051707	ROD, tie	4	EA		
3	1901051713	BLOCK ASSY, No. 1	1	EA	bucket	
4	1901048011	BLOCK ASSY, boom	1	EA	boom	
5	1901046215	BLOCK ASSY, No. 3	1	EA	traction R.H.	
6	1901051703	BLOCK ASSY, No. 4	1	EA	P1, P2	
7	1901051716	BLOCK ASSY, No. 5	1	EA	traction L.H.	
8	1901051718	BLOCK ASSY, No. 6	1	EA	swing	
9	1901046919	BLOCK ASSY, No. 7	1	EA	auxiliary	
10	1901051712	BLOCK, valve	1	EA	arm	
11	1901051714	BLOCK ASSY, No. 9	1	EA	slew	
12	1901051717	BLOCK ASSY, No. 10	1	EA	blade	
13	1901051719	BLOCK ASSY, No. 11	1	EA	auxiliary 2	
14	1901051794	BLOCK ASSY, No. 12	1	EA	auxiliary 3	
15	1901051797	BLOCK ASSY, No. 13	1	EA	auxiliary 3	
16	1901051796	BLOCK ASSY, No. 14	1	EA	T3, P3	
17	1901051721	VALVE ASSY	2	EA	relief	
17-1	1420310910	O-RING	1	EA		
18	1901051722	VALVE ASSY	1	EA	relief	
18-1	1420310910	O-RING	1	EA		
19	1901051723	VALVE ASSY (ANGLE BLADE TYPE)	4	EA	relief	
19-1	1420310910	O-RING	1	EA		
20	1901051724	VALVE ASSY	1	EA	relief	
20-1	1420310910	O-RING	1	EA		
21	1901051725	VALVE ASSY	2	EA	relief	
21-1	1420310910	O-RING	1	EA		
22	1901051795	VALVE ASSY	3	EA	relief	
22-1	1420310910	O-RING	1	EA		
23	1901042625	VALVE ASSY	1	EA	anti-void	
24	1420310910	O-RING	1	EA		

HYDRAULIC DEVICE BLOCK ASSY; No. 1

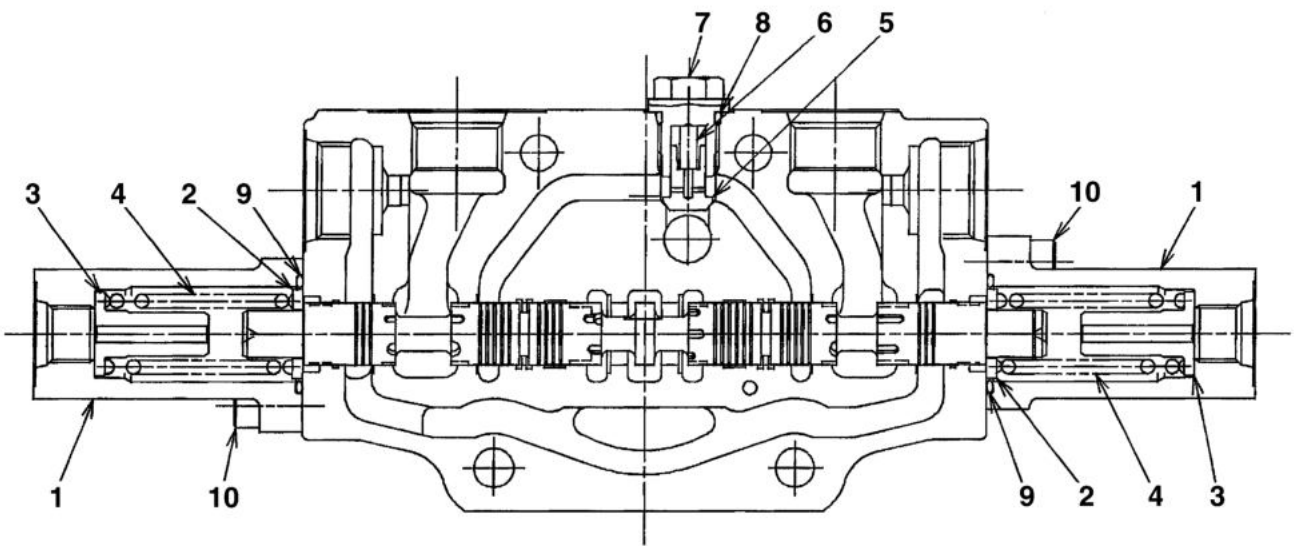
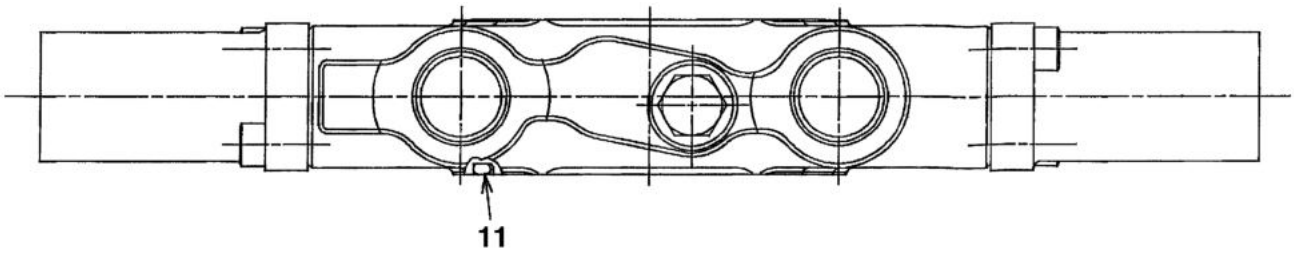


Q0H040

S-free

Item	Part No.	Name	Qty	Uom	Remarks	SERIAL NUMBER
0	1901051713	BLOCK ASSY, No. 1	1	EA	BUCKET	
1	1901043266	CAP	2	EA		
2	1901029754	HOLDER, spring	2	EA		
3	1901043231	HOLDER, spring	2	EA		
4	1901043256	SPRING	2	EA		
5	1901043226	PLUNGER	1	EA		
6	1901043227	PLUNGER	1	EA		
7	1901043257	SPRING	2	EA		
8	1901043271	PLUG	2	EA		
9	1901043282	O-RING	2	EA		
10	1420500240	O-RING	2	EA		
11	1110050618	SCREW, cap (10TM6 X 18 P/1.0)	4	EA		

HYDRAULIC DEVICE BLOCK ASSY; No. 2

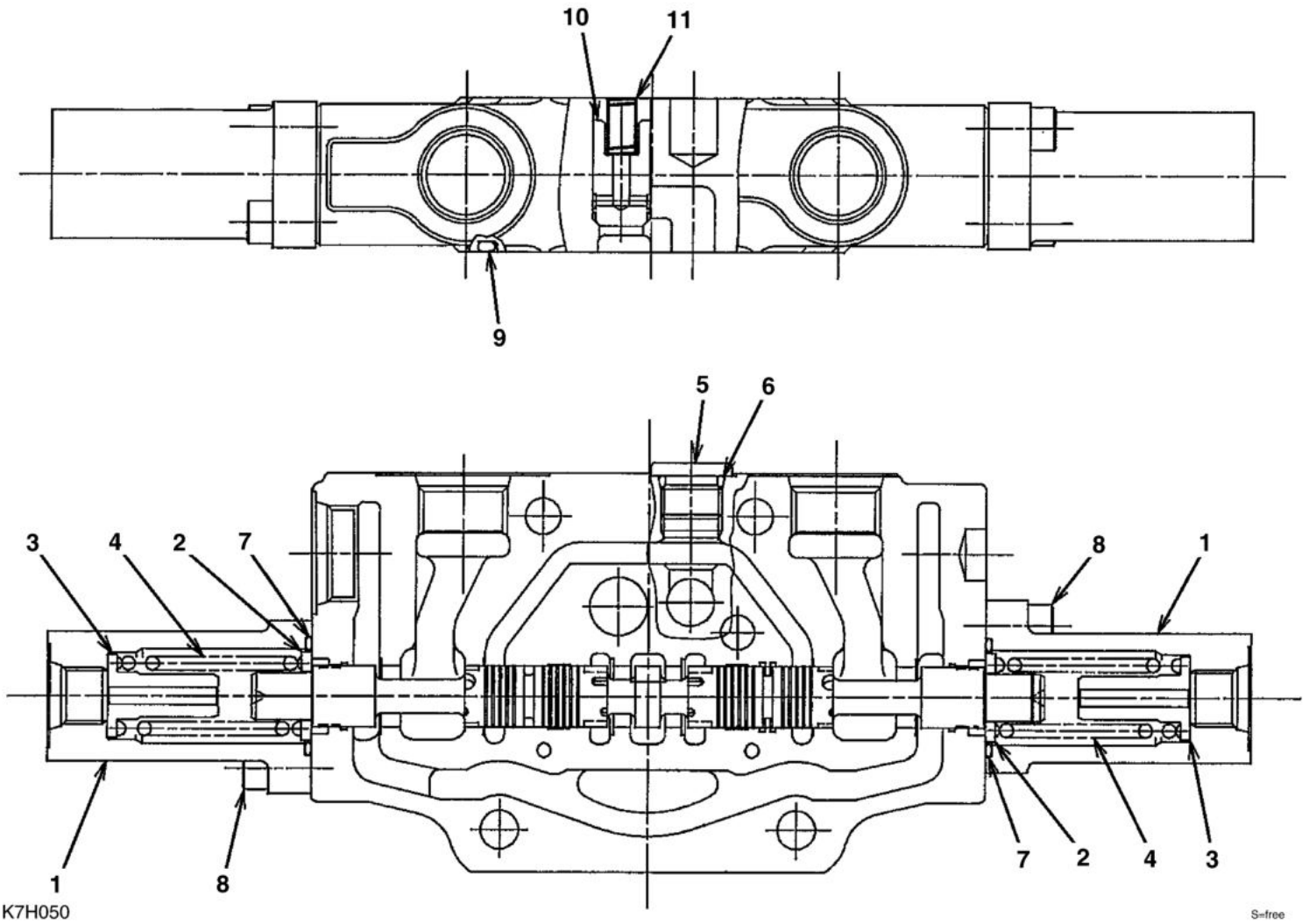


K6H170

S=FREE

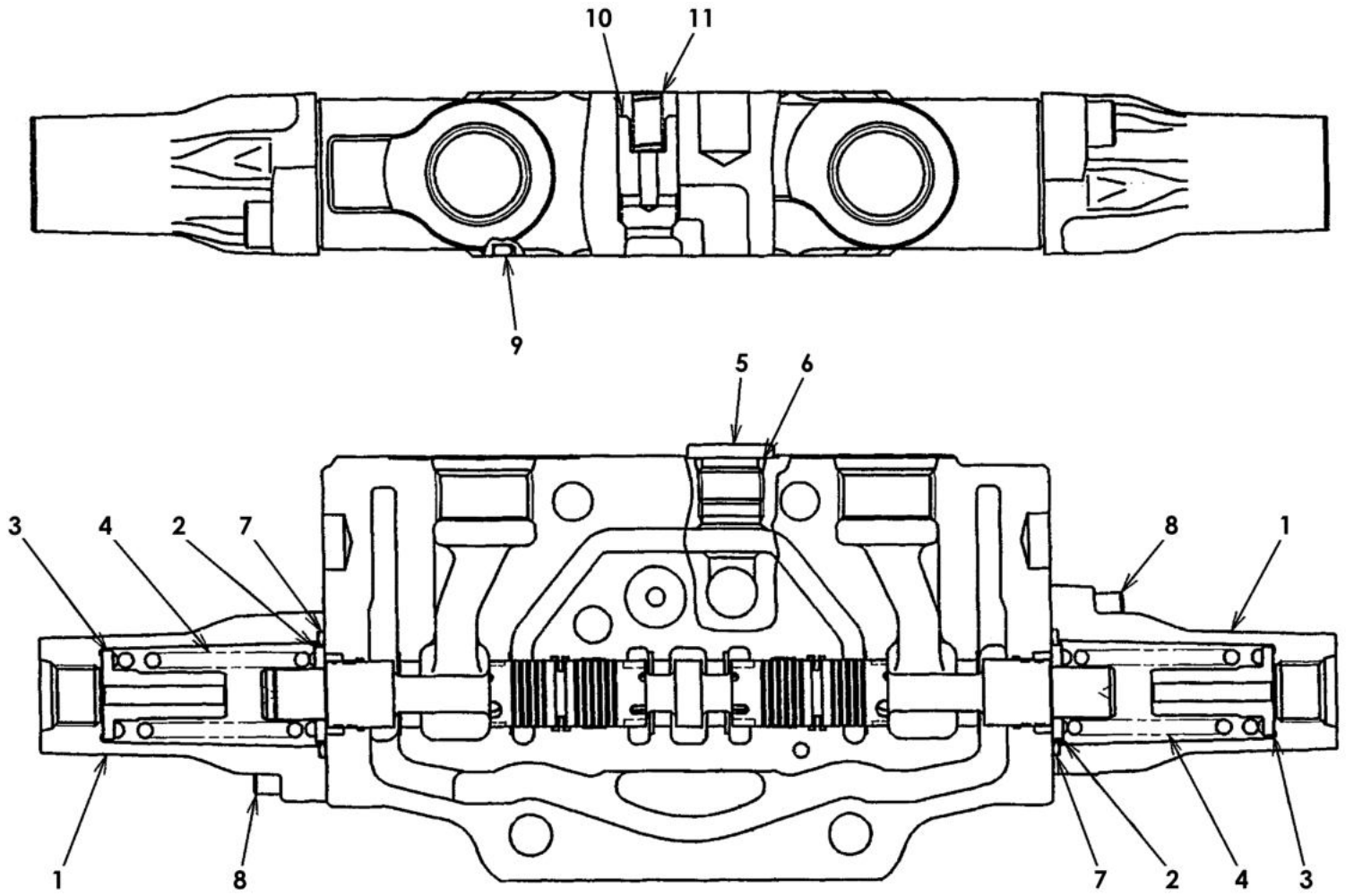
Item	Part No.	Name	Qty	Uom	Remarks	SERIAL NUMBER
0	1901048011	BLOCK ASSY, boom	1	EA	BOOM	
1	1901043266	CAP	2	EA		
2	1901029754	HOLDER, spring	2	EA		
3	1901043231	HOLDER, spring	2	EA		
4	1901043256	SPRING	2	EA		
5	1901043226	PLUNGER	1	EA		
6	1901043257	SPRING	1	EA		
7	1901043271	PLUG	1	EA		
8	1901043282	O-RING	1	EA		
9	1420500240	O-RING	2	EA		
10	1110050618	SCREW, cap (10TM6 X 18 P/1.0)	4	EA		
11	1420110700	O-RING	1	EA		

HYDRAULIC DEVICE BLOCK ASSY; No. 3



Item	Part No.	Name	Qty	Uom	Remarks	SERIAL NUMBER
0	1901046215	BLOCK ASSY, No. 3	1	EA	TRACTION RH	
1	1901043266	CAP	2	EA		
2	1901029754	HOLDER, spring	2	EA		
3	1901043231	HOLDER, spring	2	EA		
4	1901043256	SPRING	2	EA		
5	1901043271	PLUG	1	EA		
6	1901046271	PLUG	1	EA		
7	1420500240	O-RING	2	EA		
8	1110050618	SCREW, cap (10TM6 X 18 P/1.0)	4	EA		
9	1420110700	O-RING	1	EA		
10	1901036528	PLUNGER	1	EA		
11	1901034239	SPRING	1	EA		

HYDRAULIC DEVICE BLOCK ASSY; No. 5

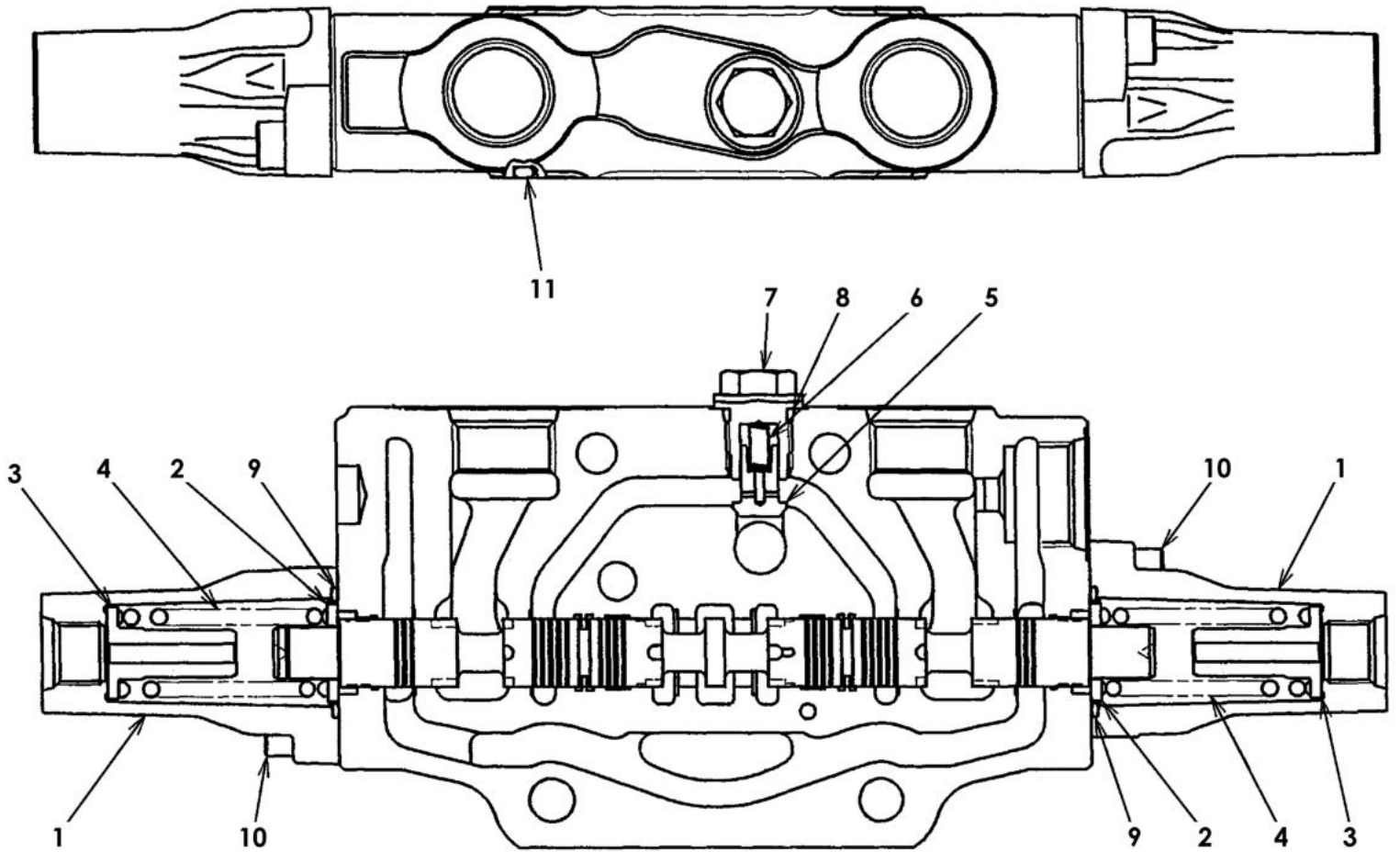


Q0H050

S=free

Item	Part No.	Name	Qty	Uom	Remarks	SERIAL NUMBER
0	1901051716	BLOCK ASSY, No. 5	1	EA	TRACTION LH	
1	1901043266	CAP	2	EA		
2	1901029754	HOLDER, spring	2	EA		
3	1901043231	HOLDER, spring	2	EA		
4	1901043256	SPRING	2	EA		
5	1901046271	PLUG	1	EA		
6	1901043282	O-RING	1	EA		
7	1420500240	O-RING	2	EA		
8	1110050618	SCREW, cap (10TM6 X 18 P/1.0)	4	EA		
10	1901036528	PLUNGER	1	EA		
9	1420110700	O-RING	1	EA		
11	1901034239	SPRING	1	EA		

HYDRAULIC DEVICE BLOCK ASSY; No. 6

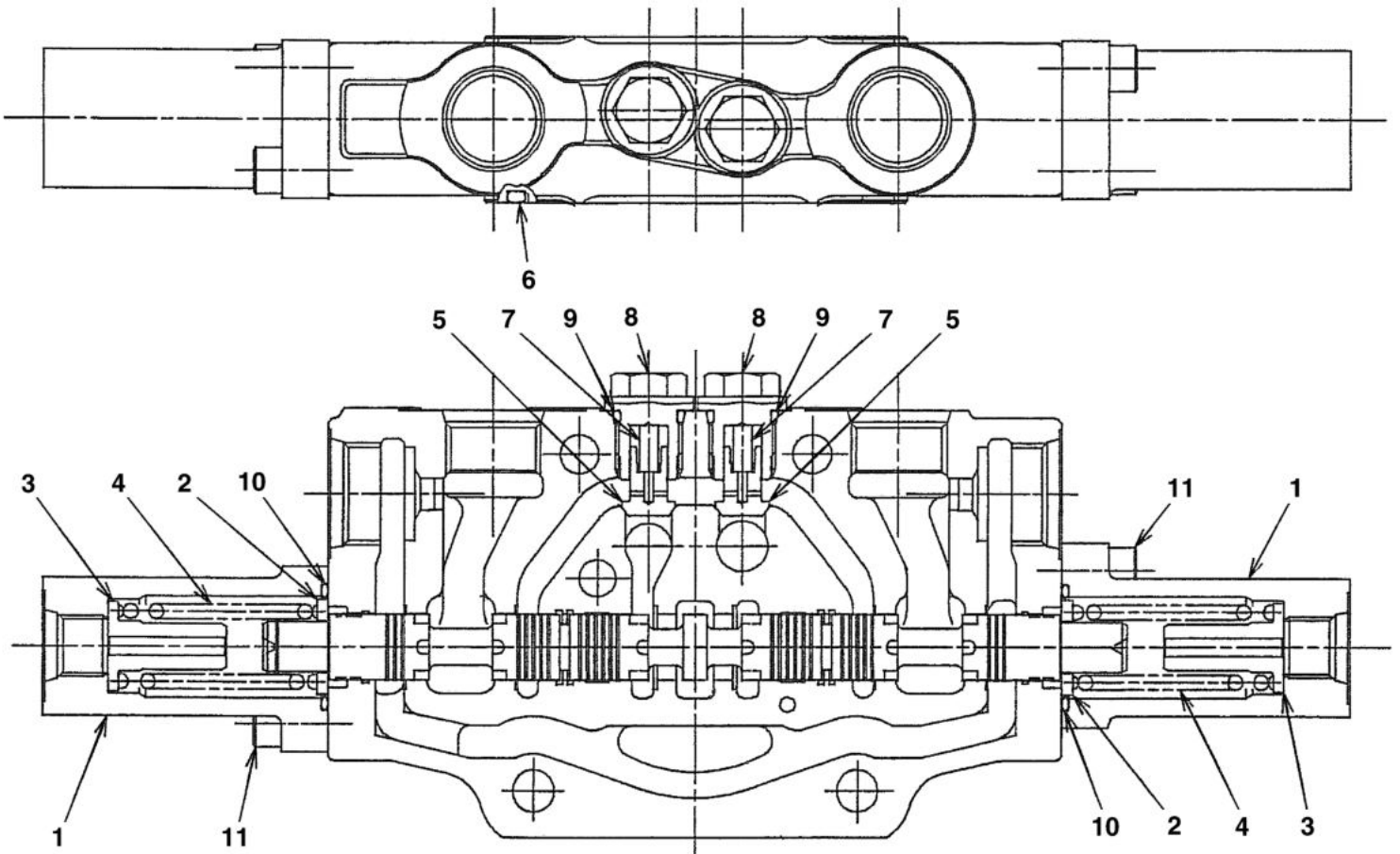


Q0H060

S=free

Item	Part No.	Name	Qty	Uom	Remarks	SERIAL NUMBER
0	1901051718	BLOCK ASSY, No. 6	1	EA	SWING	
1	1901043266	CAP	2	EA		
2	1901029754	HOLDER, spring	2	EA		
3	1901043231	HOLDER, spring	2	EA		
4	1901043256	SPRING	2	EA		
5	1901043226	PLUNGER	1	EA		
6	1901043257	SPRING	1	EA		
7	1901043271	PLUG	1	EA		
8	1901043282	O-RING	1	EA		
9	1420500240	O-RING	2	EA		
10	1110050618	SCREW, cap (10TM6 X 18 P/1.0)	4	EA		
11	1420110700	O-RING	1	EA		

HYDRAULIC DEVICE BLOCK ASSY; No. 7

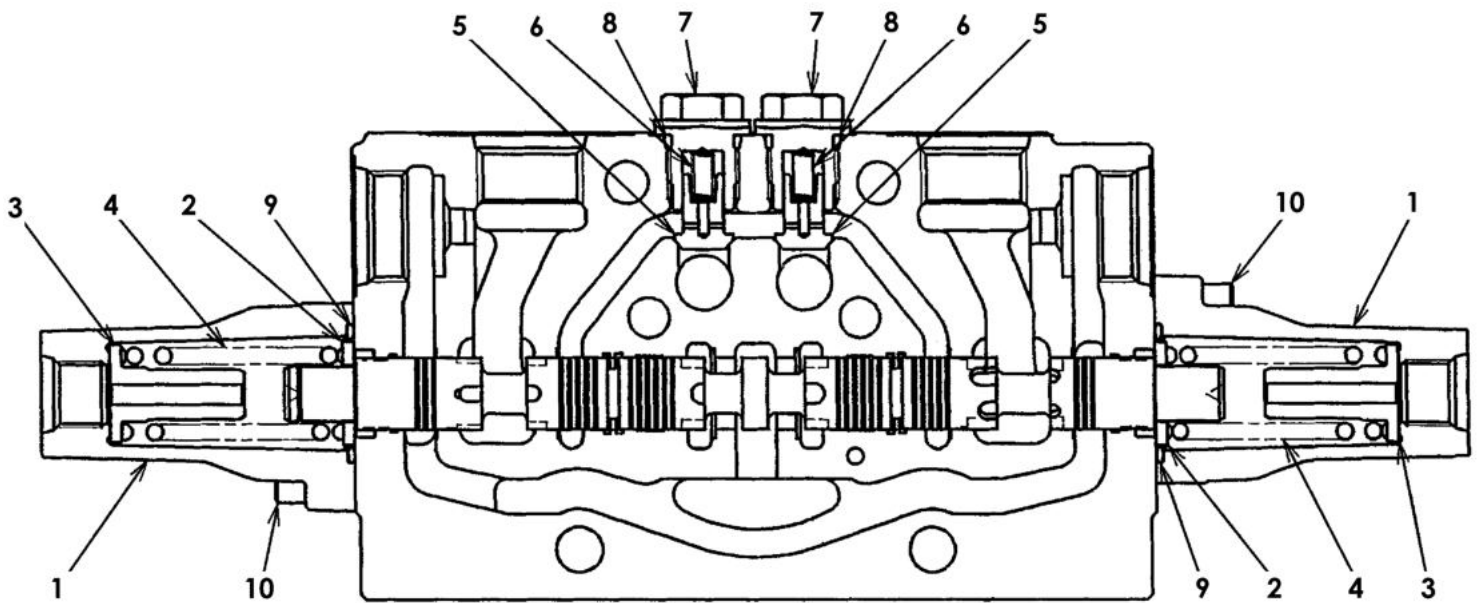
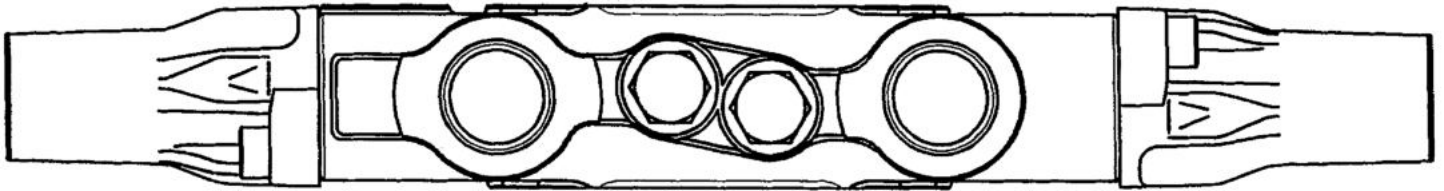


K7H100

S=free

Item	Part No.	Name	Qty	Uom	Remarks	SERIAL NUMBER
0	1901046919	BLOCK ASSY, No. 7	1	EA	AUXILIARY	
1	1901043266	CAP	2	EA		
2	1901029754	HOLDER, spring	2	EA		
3	1901043231	HOLDER, spring	2	EA		
4	1901043256	SPRING	2	EA		
5	1901043226	PLUNGER	2	EA		
6	1420110700	O-RING	1	EA		
7	1901043257	SPRING	2	EA		
8	1901043271	PLUG	2	EA		
9	1901043282	O-RING	2	EA		
10	1420500240	O-RING	2	EA		
11	1110050618	SCREW, cap (10TM6 X 18 P/1.0)	4	EA		

HYDRAULIC DEVICE BLOCK ASSY; No. 8

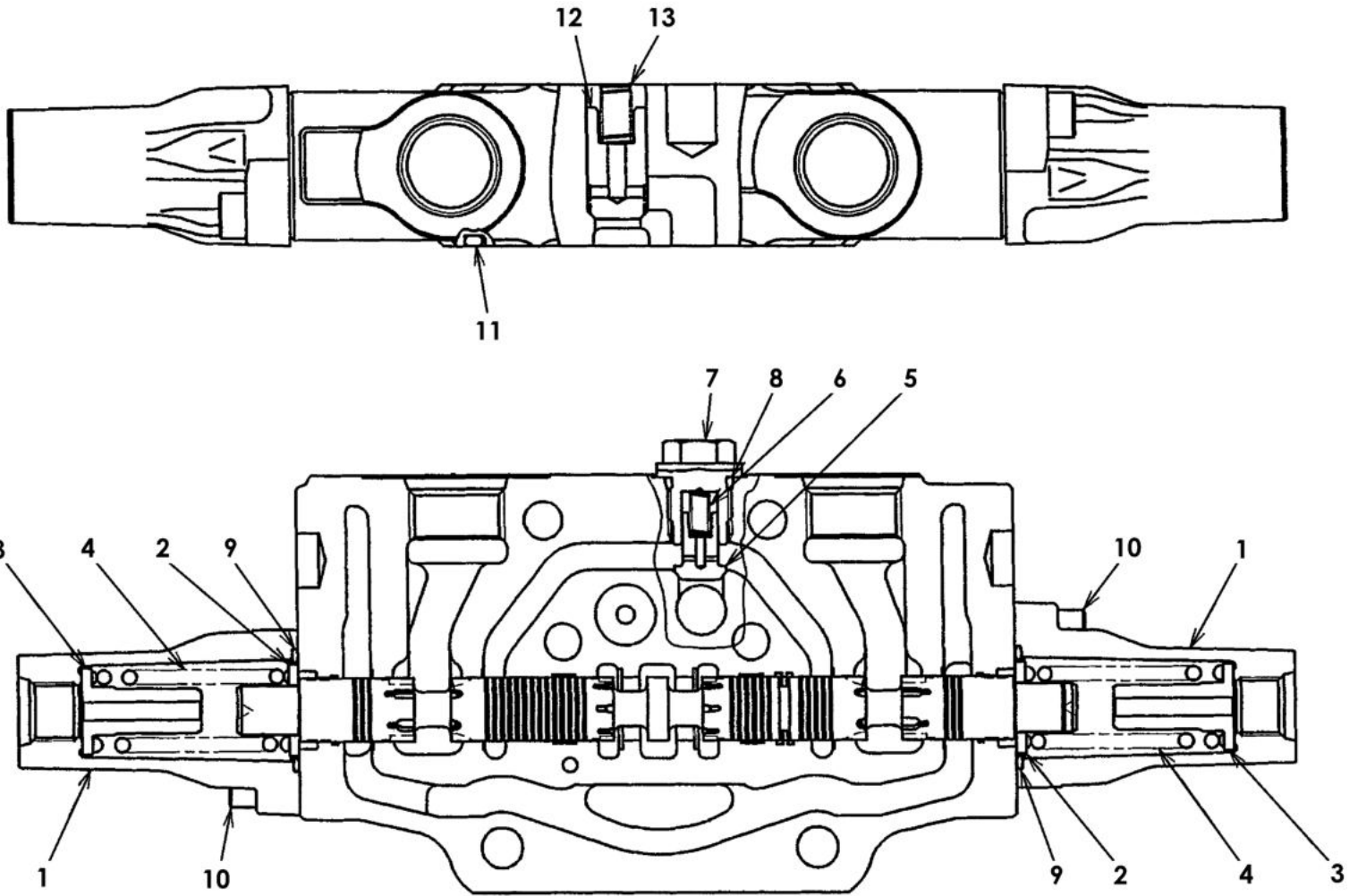


Q0H080

S=free

Item	Part No.	Name	Qty	Uom	Remarks	SERIAL NUMBER
0	1901051712	BLOCK, valve	1	EA	ARM	
1	1901043266	CAP	2	EA		
2	1901029754	HOLDER, spring	2	EA		
3	1901043231	HOLDER, spring	2	EA		
4	1901043256	SPRING	2	EA		
5	1901043226	PLUNGER	2	EA		
6	1901043257	SPRING	2	EA		
7	1901043271	PLUG	2	EA		
8	1901043282	O-RING	2	EA		
9	1420500240	O-RING	2	EA		
10	1110050618	SCREW, cap (10TM6 X 18 P/1.0)	4	EA		

HYDRAULIC DEVICE BLOCK ASSY; No. 9

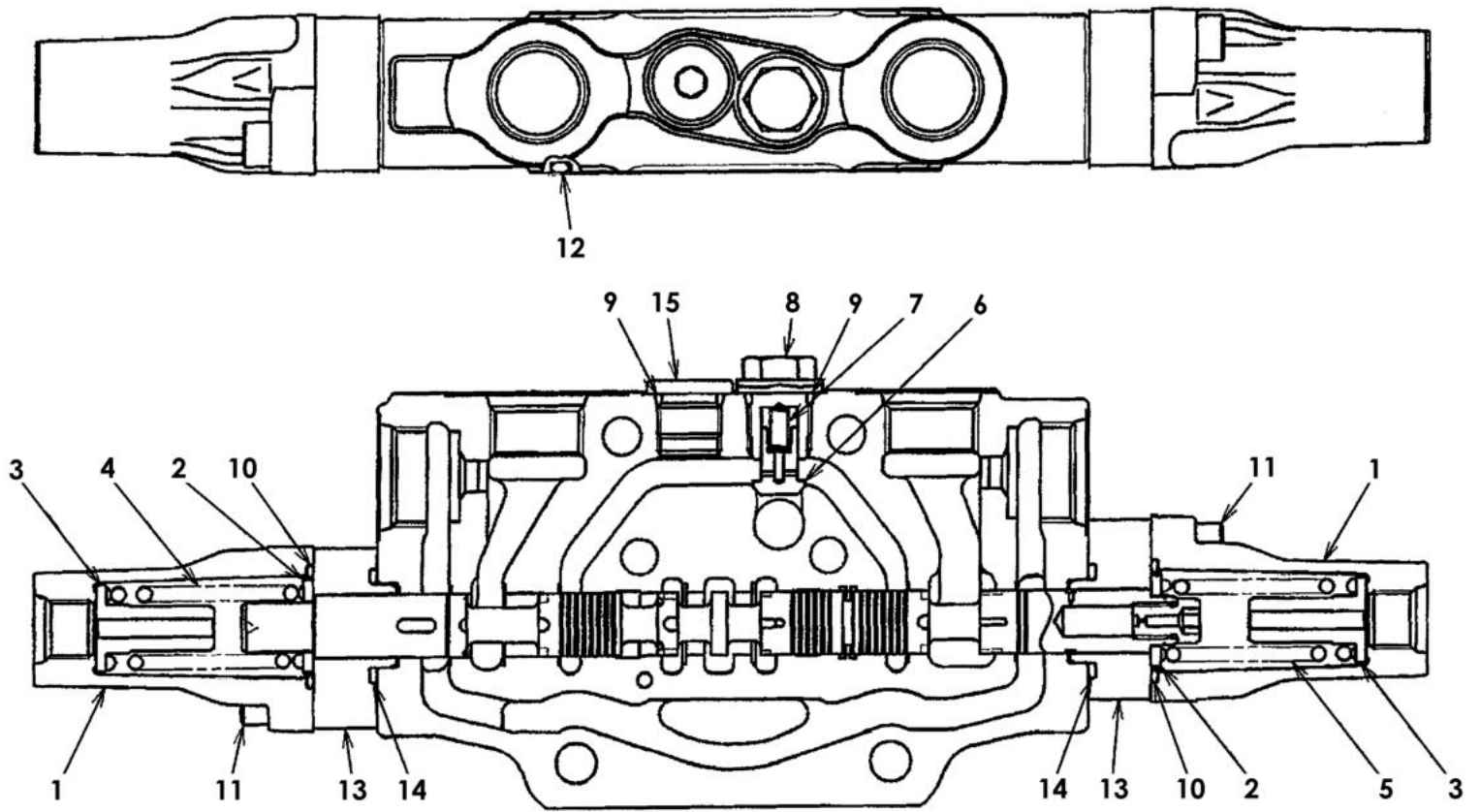


Q0H090

S=free

Item	Part No.	Name	Qty	Uom	Remarks	SERIAL NUMBER
0	1901051714	BLOCK ASSY, No. 9	1	EA	SLEW	
1	1901043266	CAP	2	EA		
2	1901029754	HOLDER, spring	2	EA		
3	1901043231	HOLDER, spring	2	EA		
4	1901043256	SPRING	2	EA		
5	1901043226	PLUNGER	1	EA		
6	1901043257	SPRING	1	EA		
7	1901043271	PLUG	1	EA		
8	1901043282	O-RING	1	EA		
9	1420500240	O-RING	2	EA		
10	1110050618	SCREW, cap (10TM6 X 18 P/1.0)	4	EA		
11	1420110700	O-RING	1	EA		
12	1901036528	PLUNGER	1	EA		
13	1901034239	SPRING	1	EA		

HYDRAULIC DEVICE BLOCK ASSY; No. 10

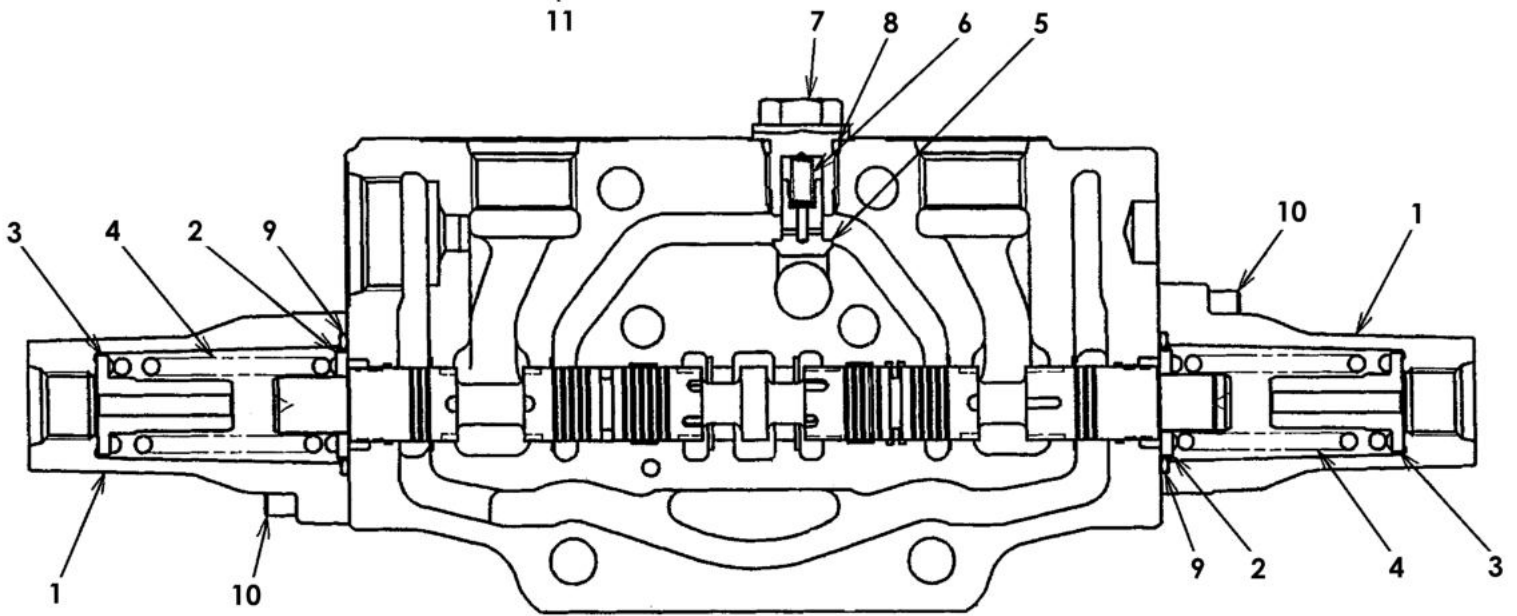
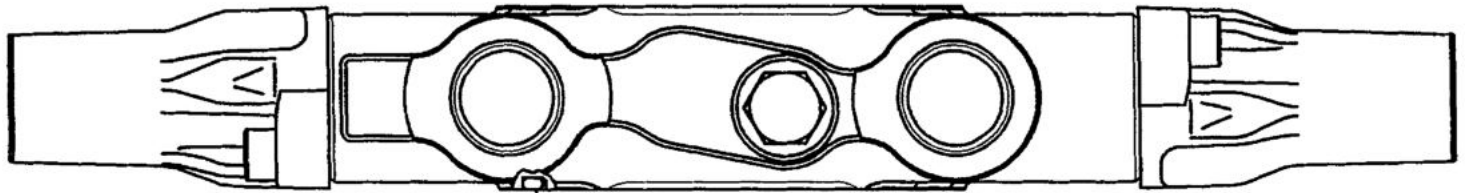


Q1H020

S=free

Item	Part No.	Name	Qty	Uom	Remarks	SERIAL NUMBER
0	1901051817	BLOCK ASSY, No. 10	1	EA	BLADE	
1	1901043266	CAP	2	EA		
2	1901029754	HOLDER, spring	2	EA		
3	1901043231	HOLDER, spring	2	EA		
4	1901043256	SPRING	2	EA		
5	1901051856	SPRING	1	EA		
6	1901043226	PLUNGER	1	EA		
7	1901043257	SPRING	1	EA		
8	1901043271	PLUG	1	EA		
9	1901043282	O-RING	2	EA		
10	1420500240	O-RING	2	EA		
11	1901051898	SCREW, cap	4	EA		
12	1420110700	O-RING	1	EA		
13	1901051897	SPACER	2	EA		
14	1901051889	O-RING	2	EA		
15	1901046271	PLUG	1	EA		

HYDRAULIC DEVICE BLOCK ASSY; No. 10 (with 3rd aux. line)

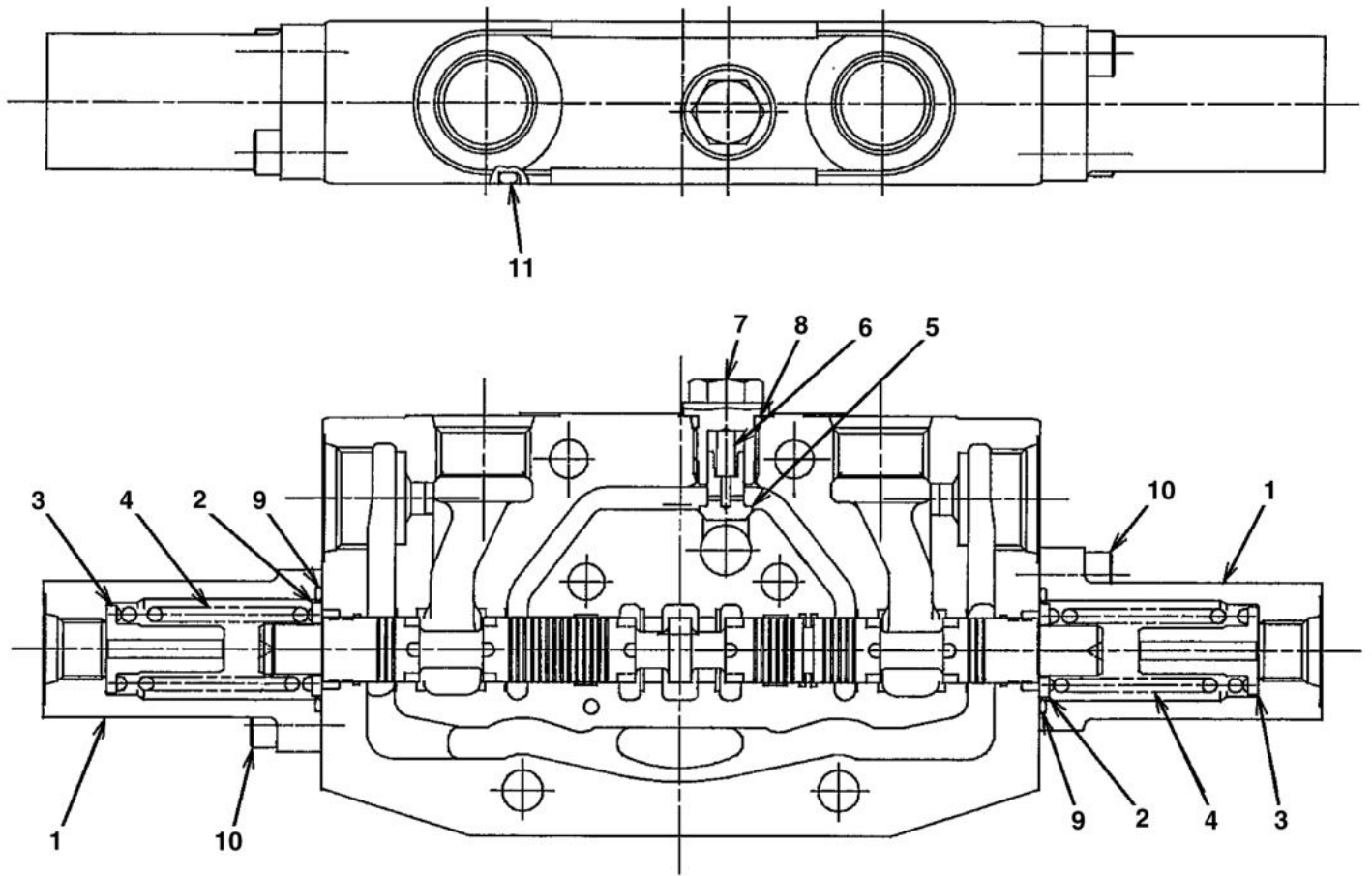


Q0H100

S=free

Item	Part No.	Name	Qty	Uom	Remarks	SERIAL NUMBER
0	1901051717	BLOCK ASSY, No. 10	1	EA	BLADE	
1	1901043266	CAP	2	EA		
2	1901029754	HOLDER, spring	2	EA		
3	1901043231	HOLDER, spring	2	EA		
4	1901043256	SPRING	2	EA		
5	1901043226	PLUNGER	1	EA		
6	1901043257	SPRING	1	EA		
7	1901043271	PLUG	1	EA		
8	1901043282	O-RING	1	EA		
9	1420500240	O-RING	2	EA		
10	1110050618	SCREW, cap (10TM6 X 18 P/1.0)	4	EA		
11	1420100700	O-RING	1	EA		

HYDRAULIC DEVICE BLOCK ASSY; No. 11 (angle blade type)

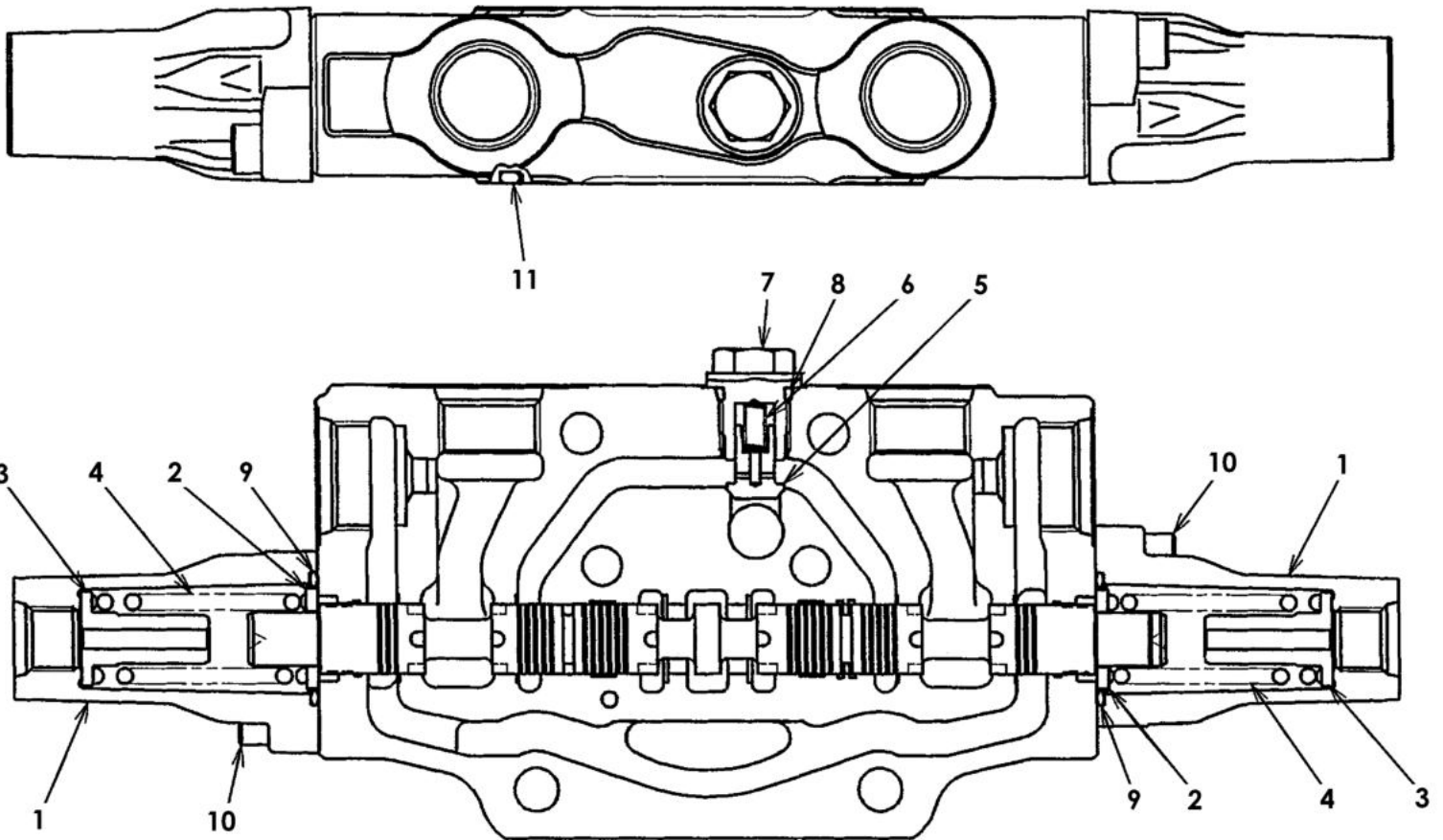


K7H150

S-free

Item	Part No.	Name	Qty	Uom	Remarks	SERIAL NUMBER
0	1901046319	BLOCK ASSY, No. 12	1	EA	auxiliary 2, angle	
1	1901043266	CAP	2	EA		
2	1901029754	HOLDER, spring	2	EA		
3	1901043231	HOLDER, spring	2	EA		
4	1901043256	SPRING	2	EA		
5	1901043226	PLUNGER	1	EA		
6	1901043257	SPRING	1	EA		
7	1901043271	PLUG	1	EA		
8	1901043282	O-RING	1	EA		
9	1420500240	O-RING	2	EA		
10	1110050618	SCREW, cap (10TM6 X 18 P/1.0)	4	EA		
11	1420110700	O-RING	1	EA		

HYDRAULIC DEVICE BLOCK ASSY; No. 11 (with 3rd aux. line)

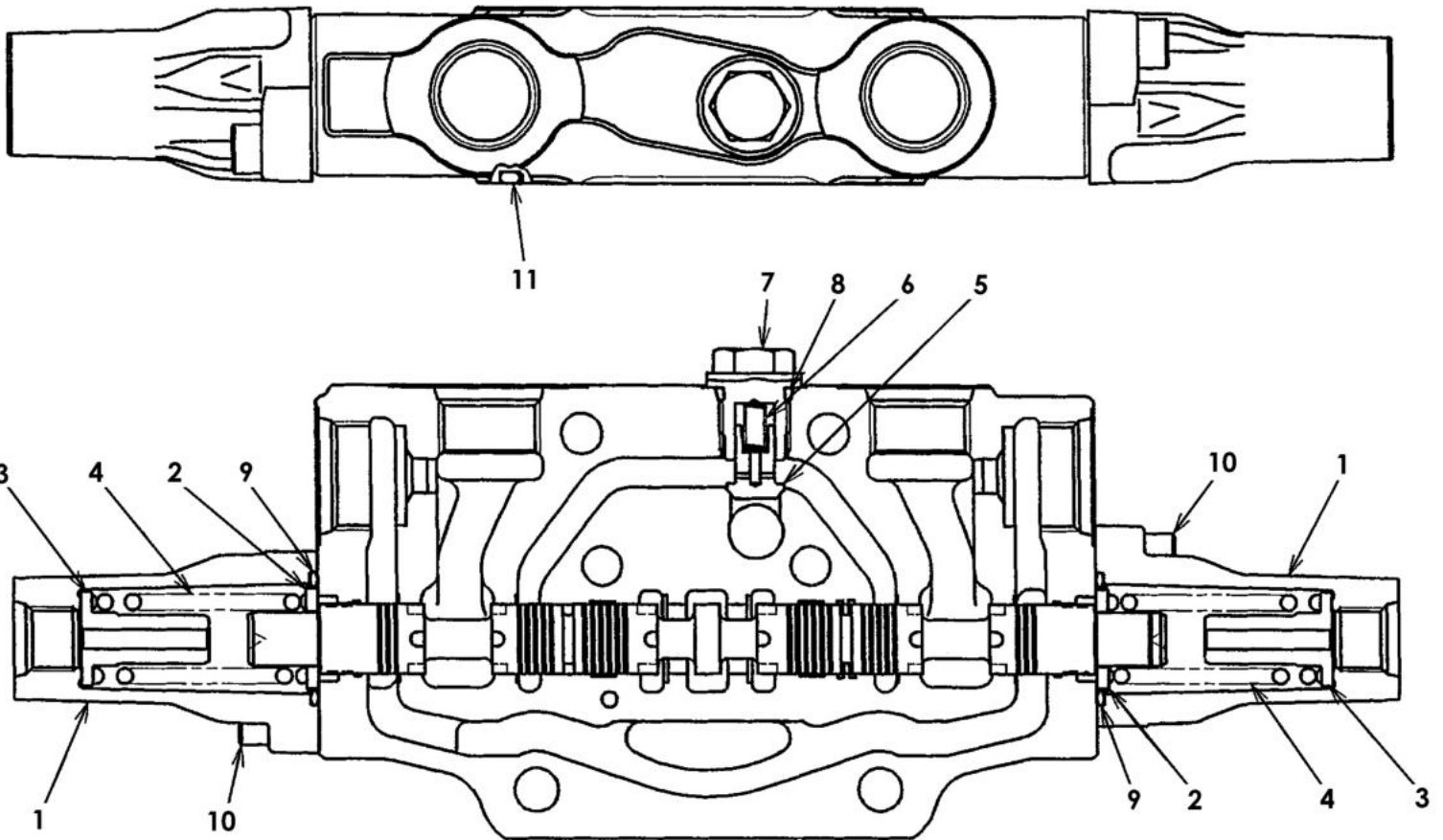


Q0H110

S=free

Item	Part No.	Name	Qty	Uom	Remarks	SERIAL NUMBER
0	1901051719	BLOCK ASSY, No. 11	1	EA	AUXILIARY 2	
1	1901043266	CAP	2	EA		
2	1901029754	HOLDER, spring	2	EA		
3	1901043231	HOLDER, spring	2	EA		
4	1901043256	SPRING	2	EA		
5	1901043226	PLUNGER	1	EA		
6	1901043257	SPRING	1	EA		
7	1901043271	PLUG	1	EA		
8	1901043282	O-RING	1	EA		
9	1420500240	O-RING	2	EA		
10	1110050618	SCREW, cap (10TM6 X 18 P/1.0)	4	EA		
11	1420100700	O-RING	1	EA		

HYDRAULIC DEVICE BLOCK ASSY; No. 12 (angle blade type)

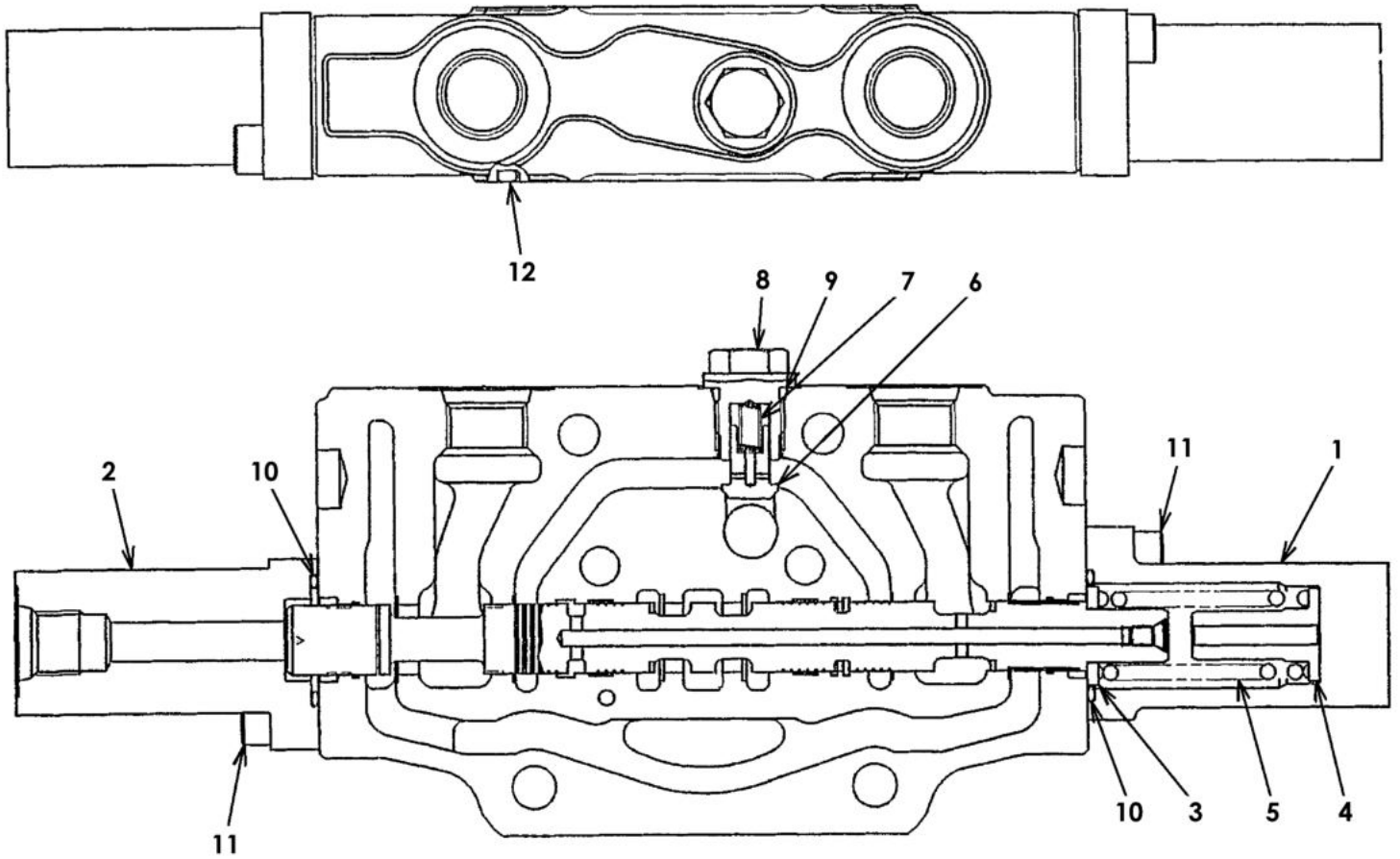


Q0H110

S=free

Item	Part No.	Name	Qty	Uom	Remarks	SERIAL NUMBER
0	1901051719	BLOCK ASSY, No. 11	1	EA	AUXILIARY 2	
1	1901043266	CAP	2	EA		
2	1901029754	HOLDER, spring	2	EA		
3	1901043231	HOLDER, spring	2	EA		
4	1901043256	SPRING	2	EA		
5	1901043226	PLUNGER	1	EA		
6	1901043257	SPRING	1	EA		
7	1901043271	PLUG	1	EA		
8	1901043282	O-RING	1	EA		
9	1420500240	O-RING	2	EA		
10	1110050618	SCREW, cap (10TM6 X 18 P/1.0)	4	EA		
11	1420110700	O-RING	1	EA		

HYDRAULIC DEVICE BLOCK ASSY; No. 12 (with 3rd aux. line)

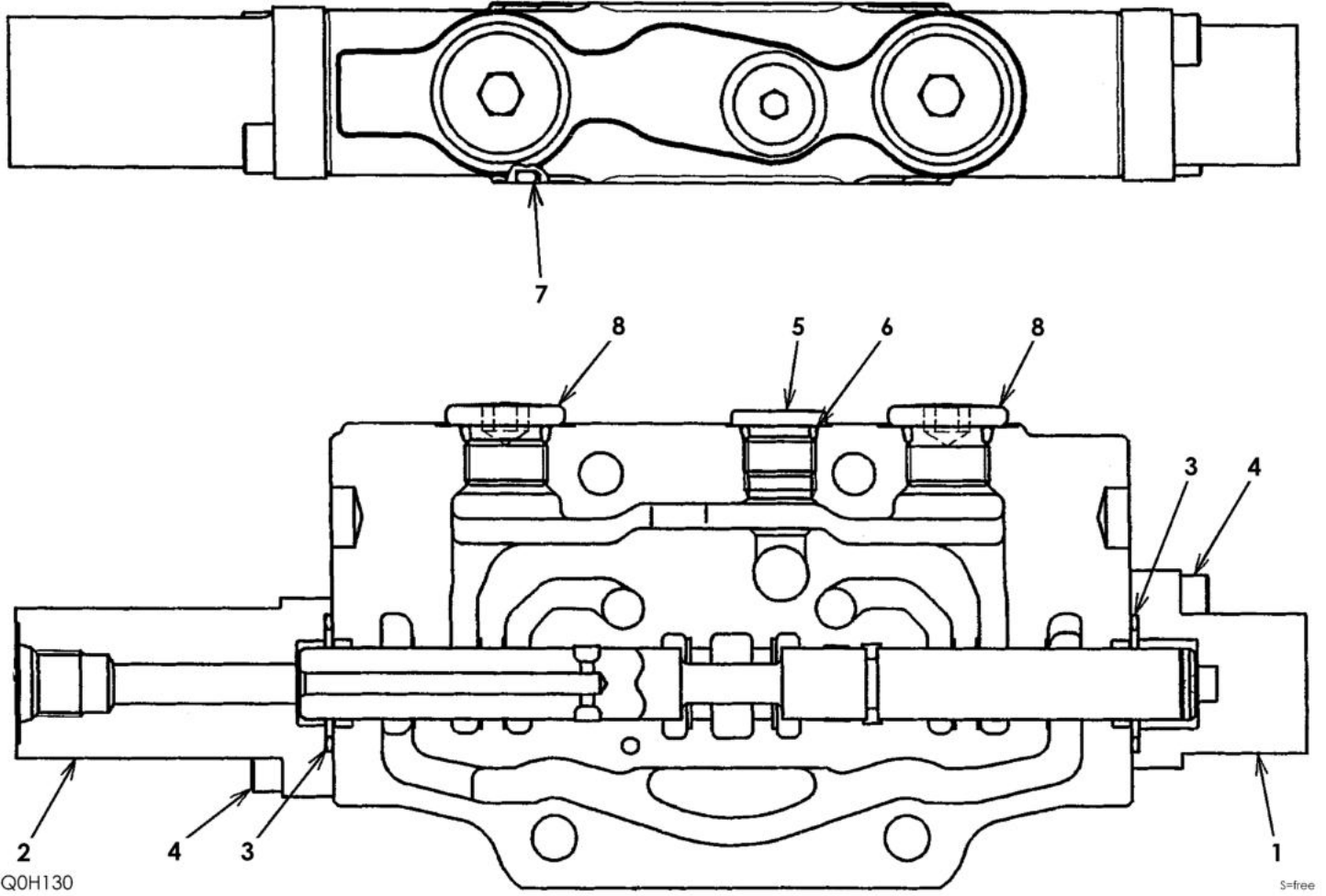


QOH120

S=free

Item	Part No.	Name	Qty	Uom	Remarks	SERIAL NUMBER
0	1901051794	BLOCK ASSY, No. 12	1	EA	AUXILIARY 3	
1	1901043270	CAP	1	EA	AUXILIARY 3	
2	1901043267	CAP	1	EA		
3	1901029754	HOLDER, spring	1	EA		
4	1901043231	HOLDER, spring	1	EA		
5	1901043256	SPRING	1	EA		
6	1901043226	PLUNGER	1	EA		
7	1901043257	SPRING	1	EA		
8	1901043271	PLUG	1	EA		
9	1901043282	O-RING	1	EA		
10	1420500240	O-RING	2	EA		
11	1110050618	SCREW, cap (10TM6 X 18 P/1.0)	4	EA		
12	1420100700	O-RING	1	EA		

HYDRAULIC DEVICE BLOCK ASSY; No. 13 (with 3rd aux. line)

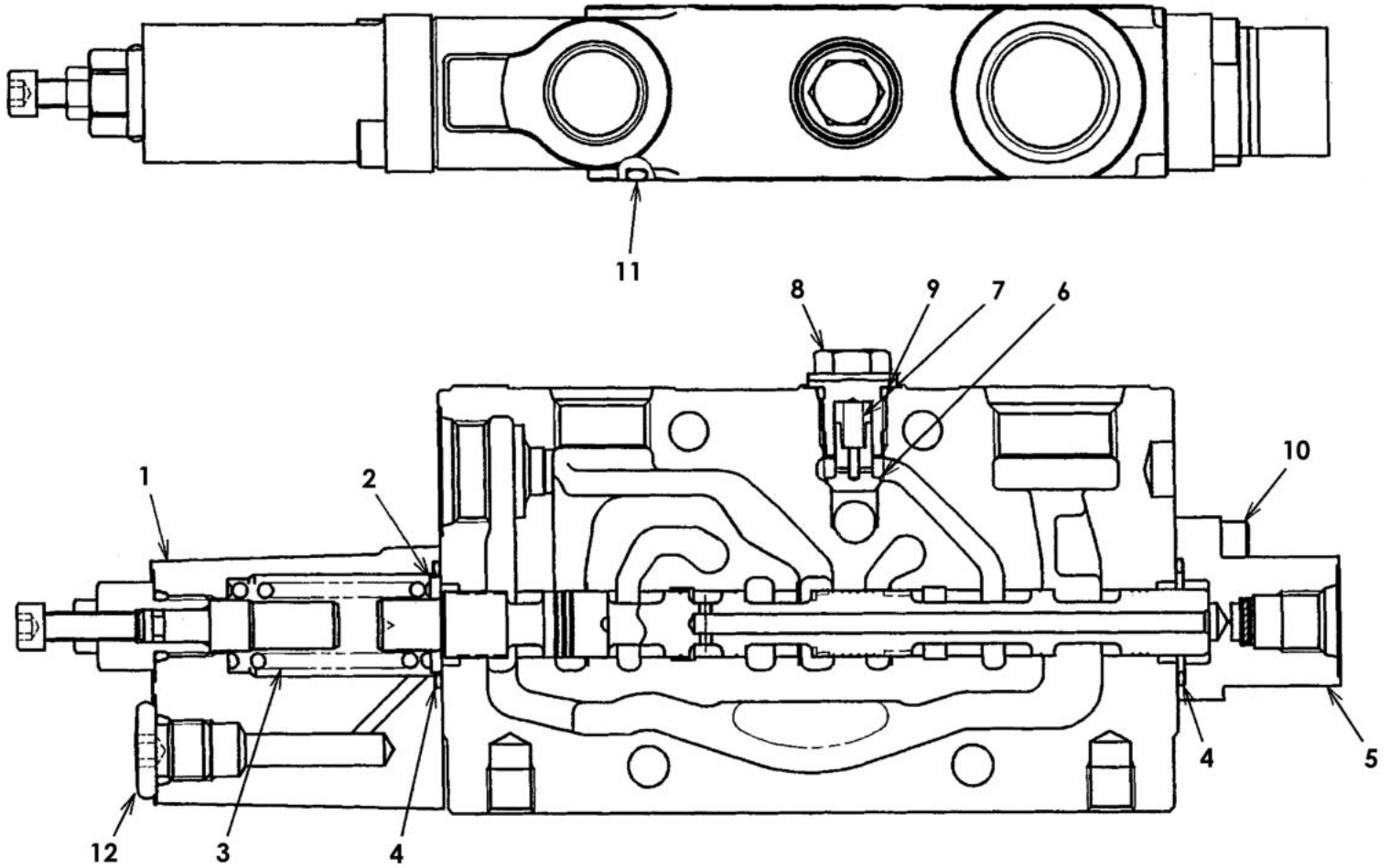


605

MACHINE MODEL: TB260

Item	Part No.	Name	Qty	Uom	Remarks	SERIAL NUMBER
0	1901051797	BLOCK ASSY, No. 13	1	EA	AUXILIARY 3	
1	1901051770	CAP	1	EA		
2	1901043267	CAP	1	EA		
3	1420500240	O-RING	2	EA		
4	1110050618	SCREW, cap (10TM6 X 18 P/1.0)	4	EA		
5	1901046271	PLUG	1	EA		
6	1901043282	O-RING	1	EA		
7	1420100700	O-RING	1	EA		
8	1901036678	PLUG ASSY	2	EA		
8-1	1420010140	O-RING	1	EA		

HYDRAULIC DEVICE BLOCK ASSY; No. 14

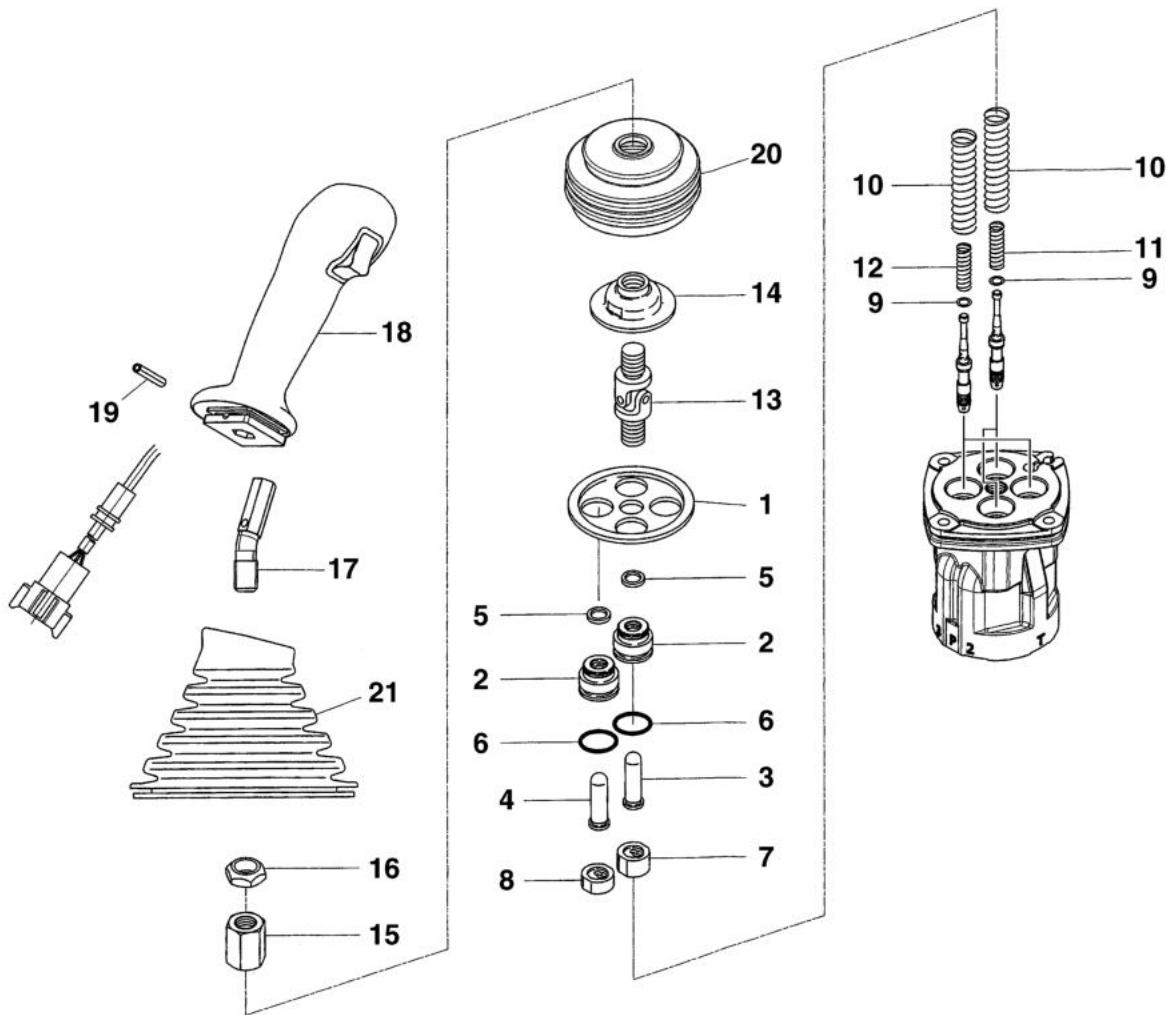


Q0H140

S-free

Item	Part No.	Name	Qty	Uom	Remarks	SERIAL NUMBER
0	1901051796	BLOCK ASSY, No. 14	1	EA	T3, P3	
1	1901051769	CAP	1	EA		
2	1901029754	HOLDER, spring	1	EA		
3	1901043259	SPRING	1	EA		
4	1420500240	O-RING	2	EA		
5	1901051768	CAP	1	EA		
6	1901043226	PLUNGER	1	EA		
7	1901043257	SPRING	1	EA		
8	1901043271	PLUG	1	EA		
9	1901043282	O-RING	1	EA		
10	1110050618	SCREW, cap (10TM6 X 18 P/1.0)	4	EA		
11	1420100700	O-RING	1	EA		
12	1901036573	PLUG ASSY	1	EA		
12-1	1420010110	O-RING	1	EA		

HYDRAULIC DEVICE PILOT VALVE (R.H.) (3-switch type)

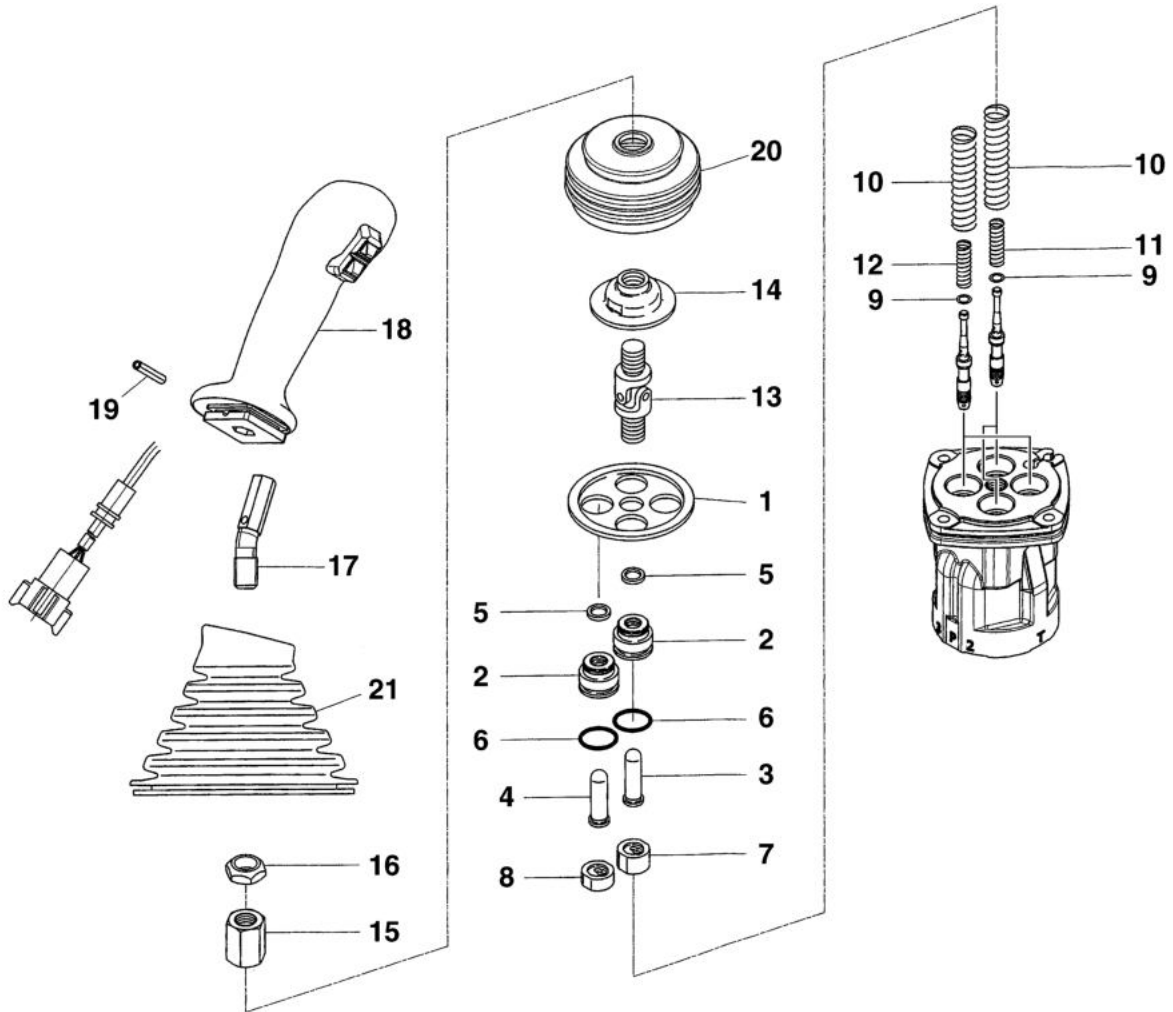


M1H130

S=free

Item	Part No.	Name	Qty	Uom	Remarks	SERIAL NUMBER
0	1901758000	VALVE ASSY, pilot (R.H.)	1	EA		
1	1901742602	PLATE	1	EA		
2	1901710912	PLUG	4	EA		
3	1901719011	ROD	2	EA		
4	1901719012	ROD	2	EA		
5	1901710914	SEAL	4	EA		
6	1420010200	O-RING	4	EA		
7	1901745709	HOLDER	2	EA		
8	1901745710	HOLDER	2	EA		
9	1901710917	WASHER	4	EA		
10	1901745612	SPRING	4	EA		
11	1901742614	SPRING	2	EA		
12	1901742615	SPRING	2	EA		
13	1901720232	JOINT	1	EA		
14	1901743620	PLATE	1	EA		
15	1901735625	NUT	1	EA		
16	1901735626	NUT	1	EA		
17	1901740432	LEVER	1	EA		
18	1901758018	HANDLE ASSY	1	EA		
19	1213000528	PIN, spring	1	EA		
20	1901742619	BUSHING	1	EA		
21	0375109110	BOOT	1	EA		

HYDRAULIC DEVICE PILOT VALVE (R.H.) (4-switch type)

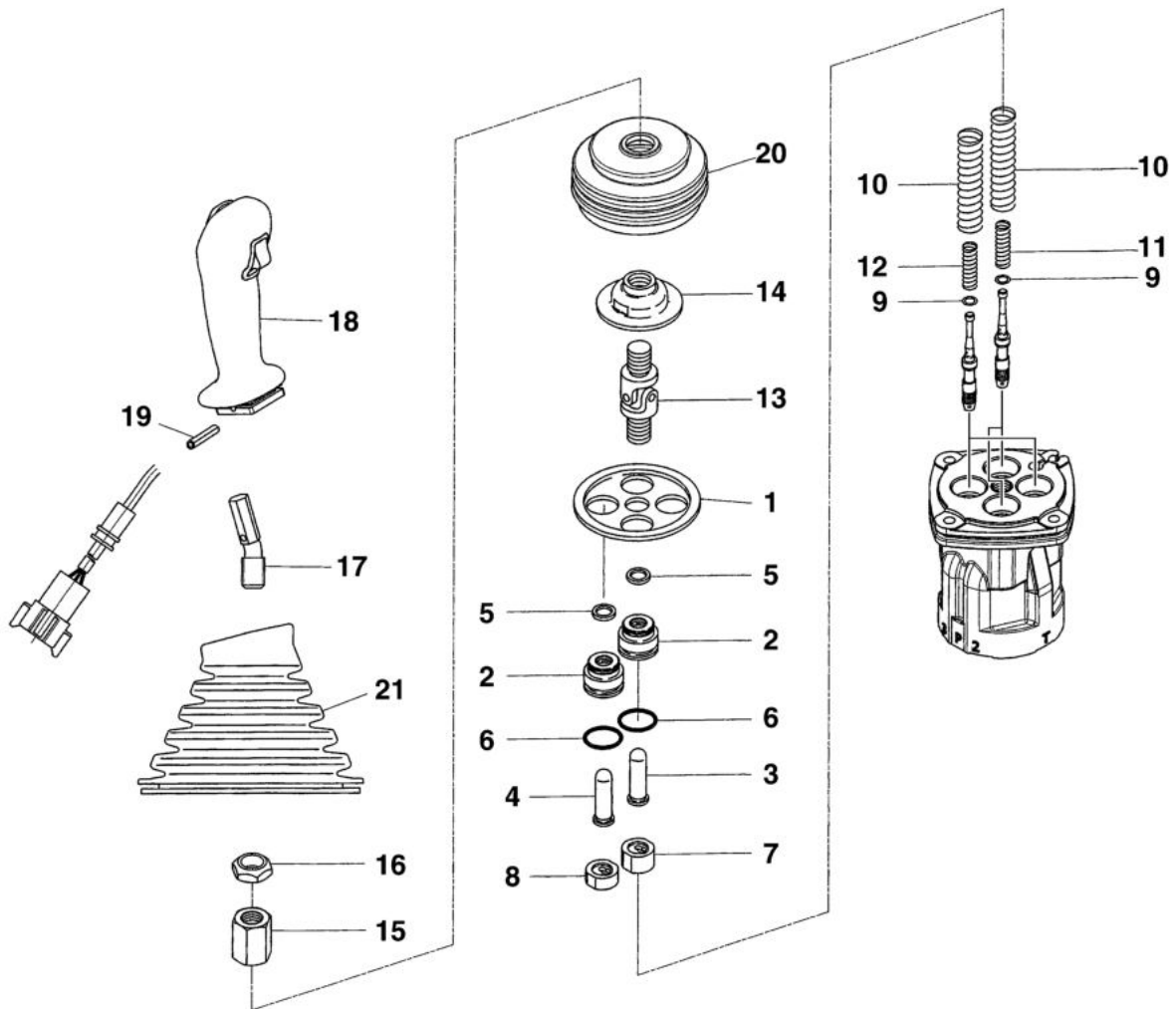


M1H140

S=free

Item	Part No.	Name	Qty	Uom	Remarks	SERIAL NUMBER
0	1901759000	VALVE ASSY, pilot (R.H.)	1	EA		
1	1901742602	PLATE	1	EA		
2	1901710912	PLUG	4	EA		
3	1901719011	ROD	2	EA		
4	1901719012	ROD	2	EA		
5	1901710914	SEAL	4	EA		
6	1420010200	O-RING	4	EA		
7	1901745709	HOLDER	2	EA		
8	1901745710	HOLDER	2	EA		
9	1901710917	WASHER	4	EA		
10	1901745612	SPRING	4	EA		
11	1901742614	SPRING	2	EA		
12	1901742615	SPRING	2	EA		
13	1901720232	JOINT	1	EA		
14	1901743620	PLATE	1	EA		
15	1901735625	NUT	1	EA		
16	1901735626	NUT	1	EA		
17	1901740432	LEVER	1	EA		
18	1901759018	HANDLE ASSY	1	EA		
19	1213000528	PIN, spring	1	EA		
20	1901742619	BUSHING	1	EA		
21	0375109110	BOOT	1	EA		

HYDRAULIC DEVICE PILOT VALVE (L.H.) (3-switch type)

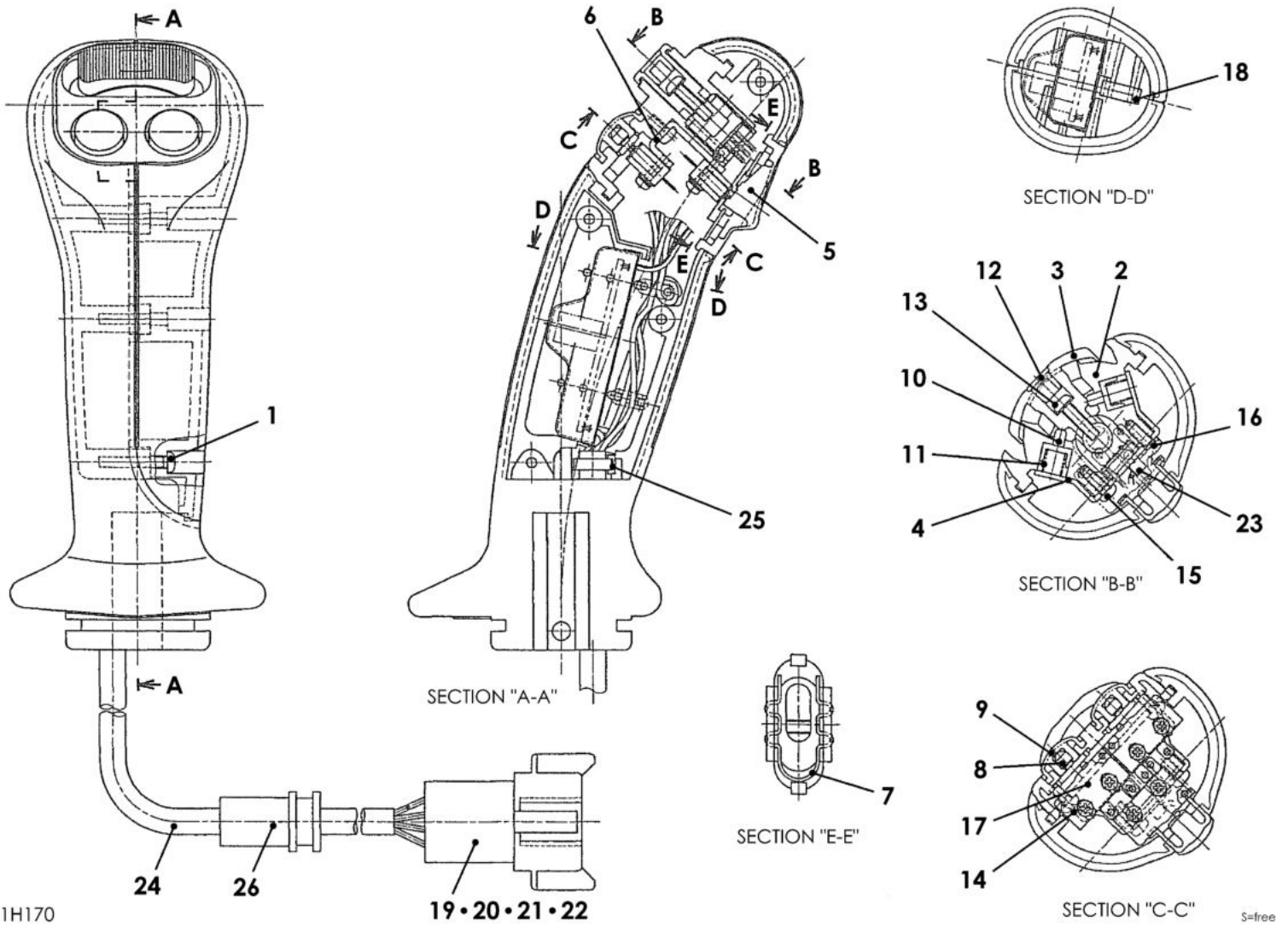


M1H150

S=free

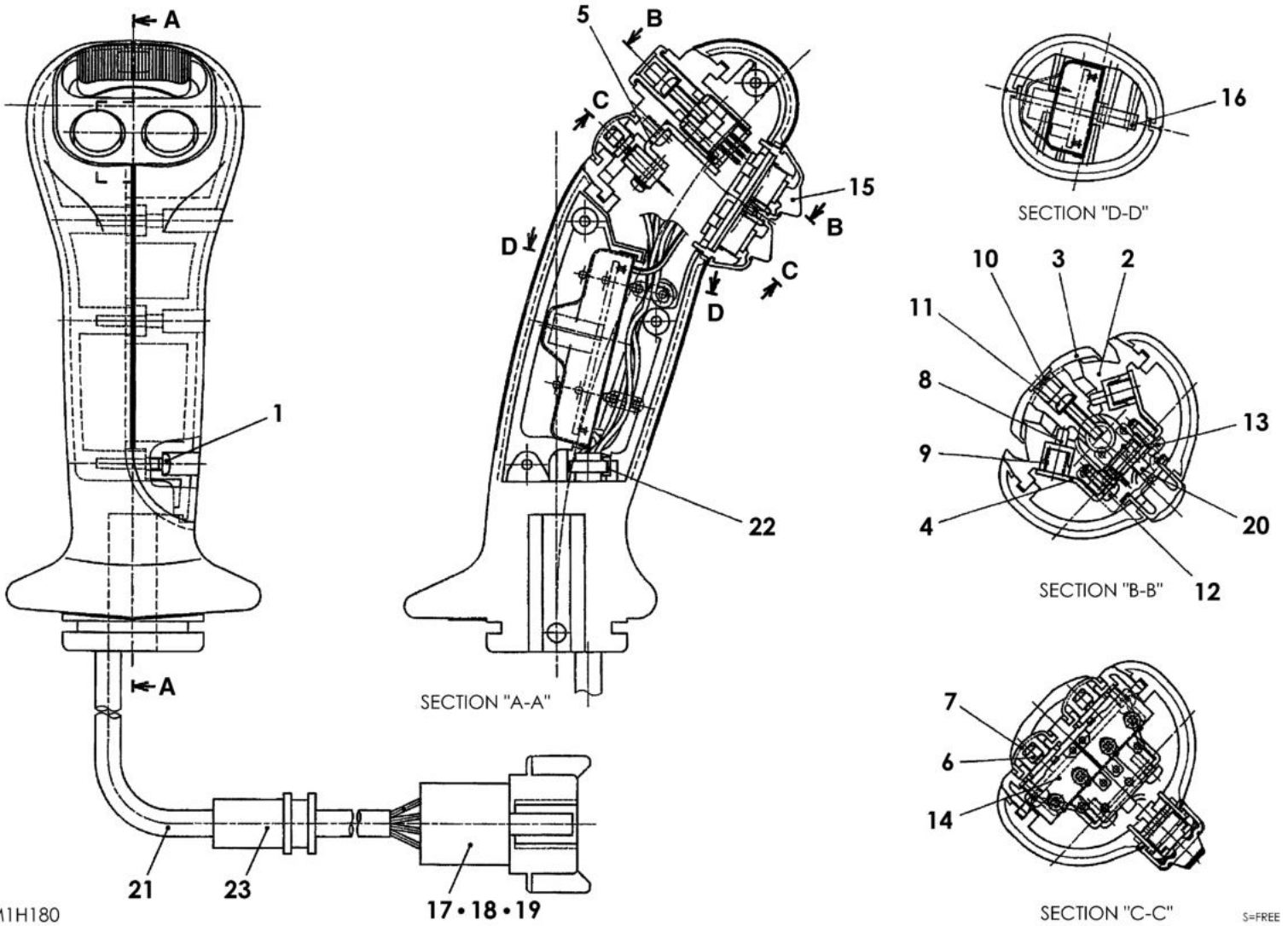
Item	Part No.	Name	Qty	Uom	Remarks	SERIAL NUMBER
0	1901758100	VALVE ASSY, pilot (L.H.)	1	EA		
1	1901742602	PLATE	1	EA		
2	1901710912	PLUG	4	EA		
3	1901719011	ROD	2	EA		
4	1901719012	ROD	2	EA		
5	1901710914	SEAL	4	EA		
6	1420010200	O-RING	4	EA		
7	1901745709	HOLDER	2	EA		
8	1901745710	HOLDER	2	EA		
9	1901710917	WASHER	4	EA		
10	1901745612	SPRING	4	EA		
11	1901742614	SPRING	2	EA		
12	1901742615	SPRING	2	EA		
13	1901720232	JOINT	1	EA		
14	1901743620	PLATE	1	EA		
15	1901735625	NUT	1	EA		
16	1901735626	NUT	1	EA		
17	1901740432	LEVER	1	EA		
18	1901758018	HANDLE ASSY	1	EA		
19	1213000528	PIN, spring	1	EA		
20	1901742619	BUSHING	1	EA		
21	0375109110	BOOT	1	EA		

HYDRAULIC DEVICE HANDLE (3-switch type)



Item	Part No.	Name	Qty	Uom	Remarks	SERIAL NUMBER
0	1901758018	HANDLE ASSY	1	EA		
1	1122400316	SCREW	4	EA		
2	1901755402	CASE	1	EA		
3	1901755403	CAM	1	EA		
4	1901740401	PLATE	1	EA		
5	1901740402	SWITCH, button	1	EA		
6	1901751405	BRACKET	1	EA		
7	1901740404	CLIP	1	EA		
8	1901741312	RETAINER	2	EA		
9	1901741216	BUTTON	2	EA		
10	1901740405	PISTON	2	EA		
11	1901740406	SPRING	2	EA		
12	1901740407	CAP	1	EA		
13	1150010312	SCREW	1	EA		
14	1901751472	SCREW	6	EA		
15	1122400306	SCREW	3	EA		
16	1122400308	SCREW	1	EA		
17	1901740408	SWITCH	3	EA		
18	1901740412	CAP	2	EA		
19	1901740446	RECEPTACLE	1	EA		
20	1901740447	WEDGE	1	EA		
21	1901740413	PIN	7	EA		
22	1901741263	CAP	1	EA		
23	1901751489	TERMINAL	1	EA		
24	1901740414	PROTECTOR (SOLD BY THE METER)	1	EA		
25	1901751492	BAND	1	EA		
26	1901751495	GROMMET	1	EA		

HYDRAULIC DEVICE HANDLE (4-switch type)

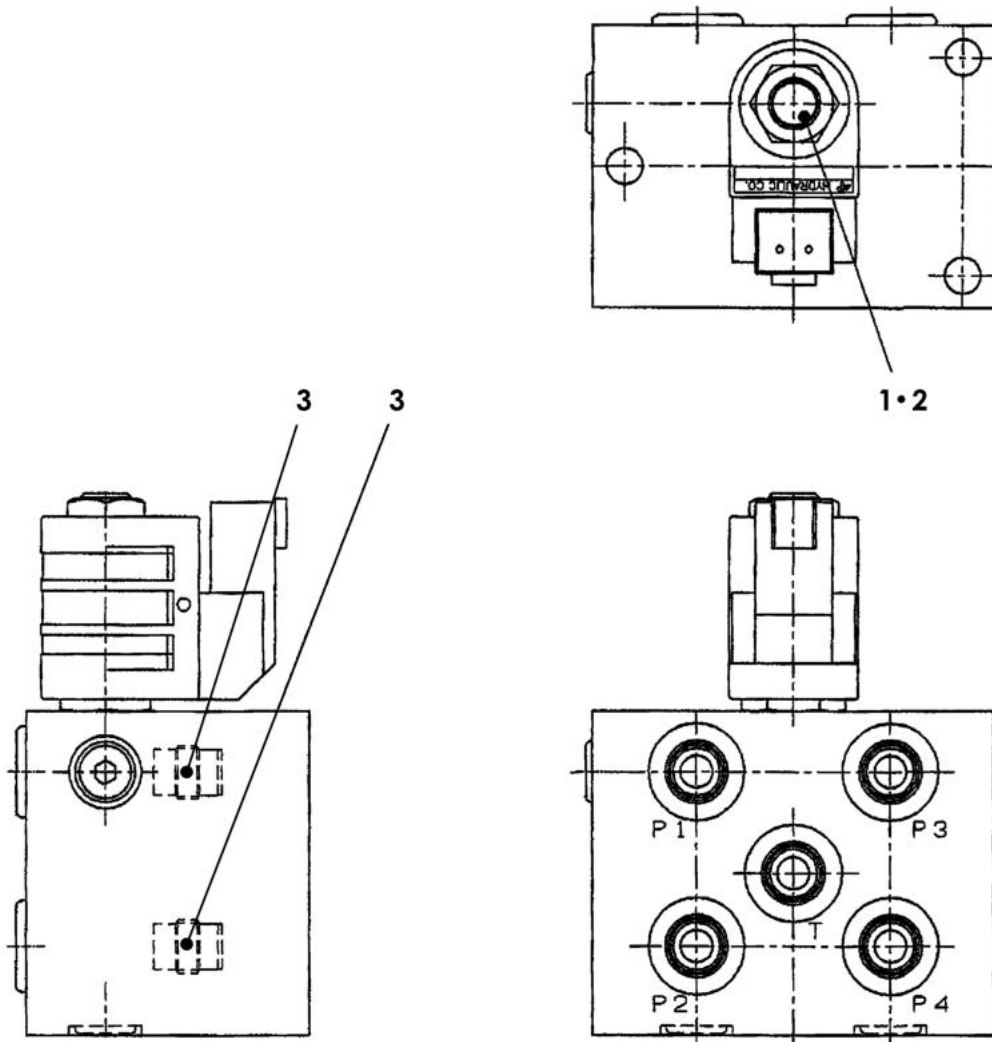


M1H180

S=FREE

Item	Part No.	Name	Qty	Uom	Remarks	SERIAL NUMBER
0	1901759018	HANDLE ASSY	1	EA		
1	1122400316	SCREW	4	EA		
2	1901755402	CASE	1	EA		
3	1901755403	CAM	1	EA		
4	1901740401	PLATE	1	EA		
5	1901751405	BRACKET	1	EA		
6	1901741312	RETAINER	2	EA		
7	1901741216	BUTTON	2	EA		
8	1901740405	PISTON	2	EA		
9	1901740406	SPRING	2	EA		
10	1901740407	CAP	1	EA		
11	1150010312	SCREW	1	EA		
12	1122400306	SCREW	3	EA		
13	1122400308	SCREW	1	EA		
14	1901740408	SWITCH	2	EA		
15	1901743915	BUTTON	1	EA		
16	1901740412	CAP	2	EA		
17	1901740446	RECEPTACLE	1	EA		
18	1901740447	WEDGE	1	EA		
19	1901740413	PIN	8	EA		
20	1901751489	TERMINAL	1	EA		
21	1901740414	PROTECTOR (SOLD BY THE METER)	1	EA		
22	1901751492	BAND	1	EA		
23	1901751495	GROMMET	1	EA		

HYDRAULIC DEVICE SOLENOID VALVE; 1 BLOCK (with auto pressure release)

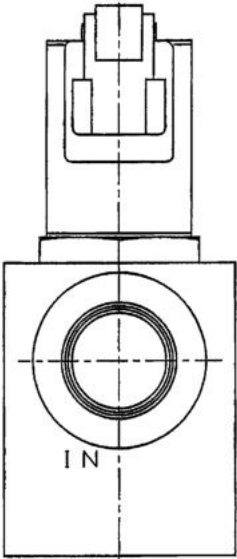
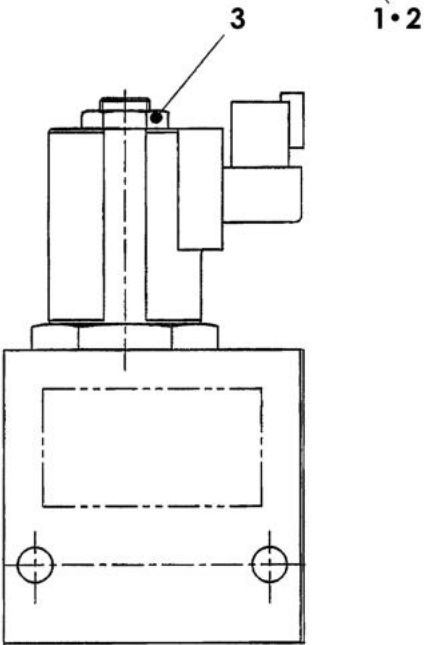
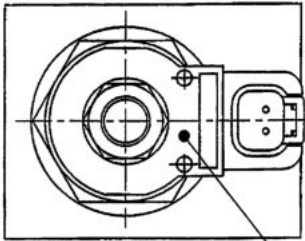


M1H580

S=Free

Item	Part No.	Name	Qty	Uom	Remarks	SERIAL NUMBER
1	1901762102	VALVE, solenoid	1	EA		
2	1901762103	COIL	1	EA		
3	1901762104	VALVE, check	4	EA		

HYDRAULIC DEVICE SOLENOID VALVE; 1 BLOCK (with auto tank)

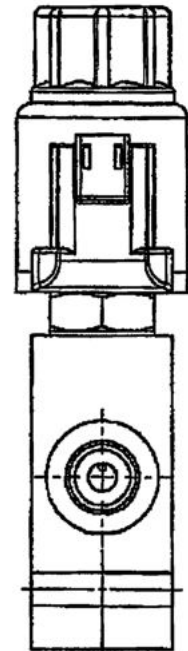
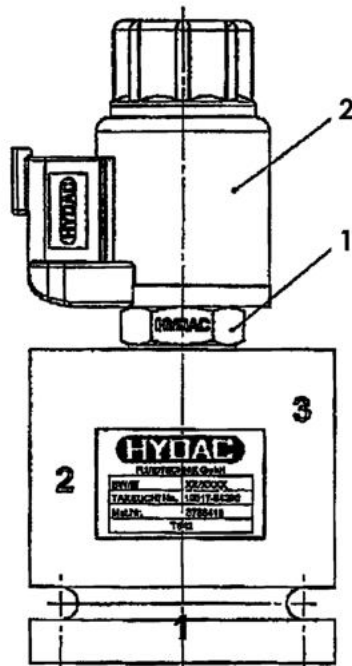
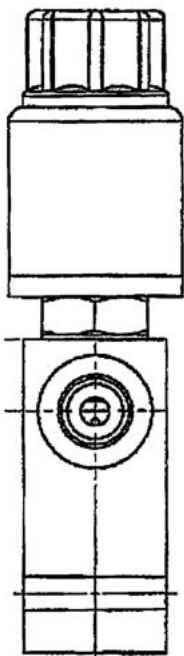
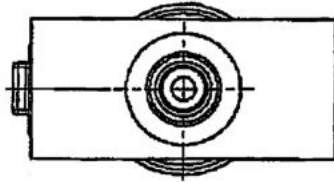


M1H590

S=Free

Item	Part No.	Name	Qty	Uom	Remarks	SERIAL NUMBER
0	1901763700	VALVE ASSY, solenoid	1	EA		
1	1901753602	SOLENOID	1	EA		
2	1901763702	COIL	1	EA		
3	1901763703	NUT	1	EA		

HYDRAULIC DEVICE SOLENOID VALVE; 1 BLOCK

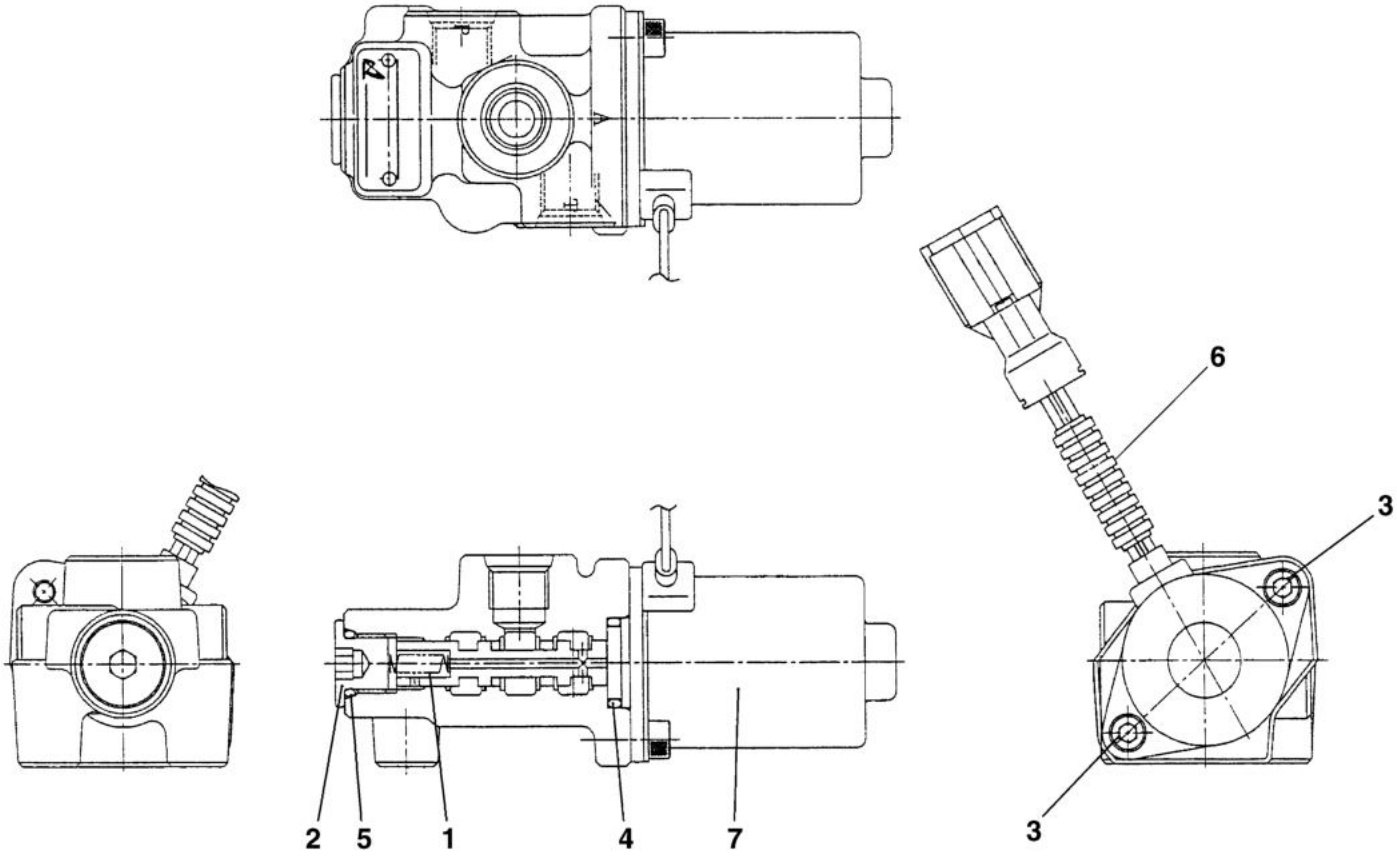


Q0H150

S=free

Item	Part No.	Name	Qty	Uom	Remarks	SERIAL NUMBER
0	1901764200	VALVE ASSY, solenoid	1	EA		
1	1901764201	NUT	1	EA		
2	1901764202	COIL	1	EA		

HYDRAULIC DEVICE SOLENOID VALVE; 1 BLOCK (with 3rd aux. line)

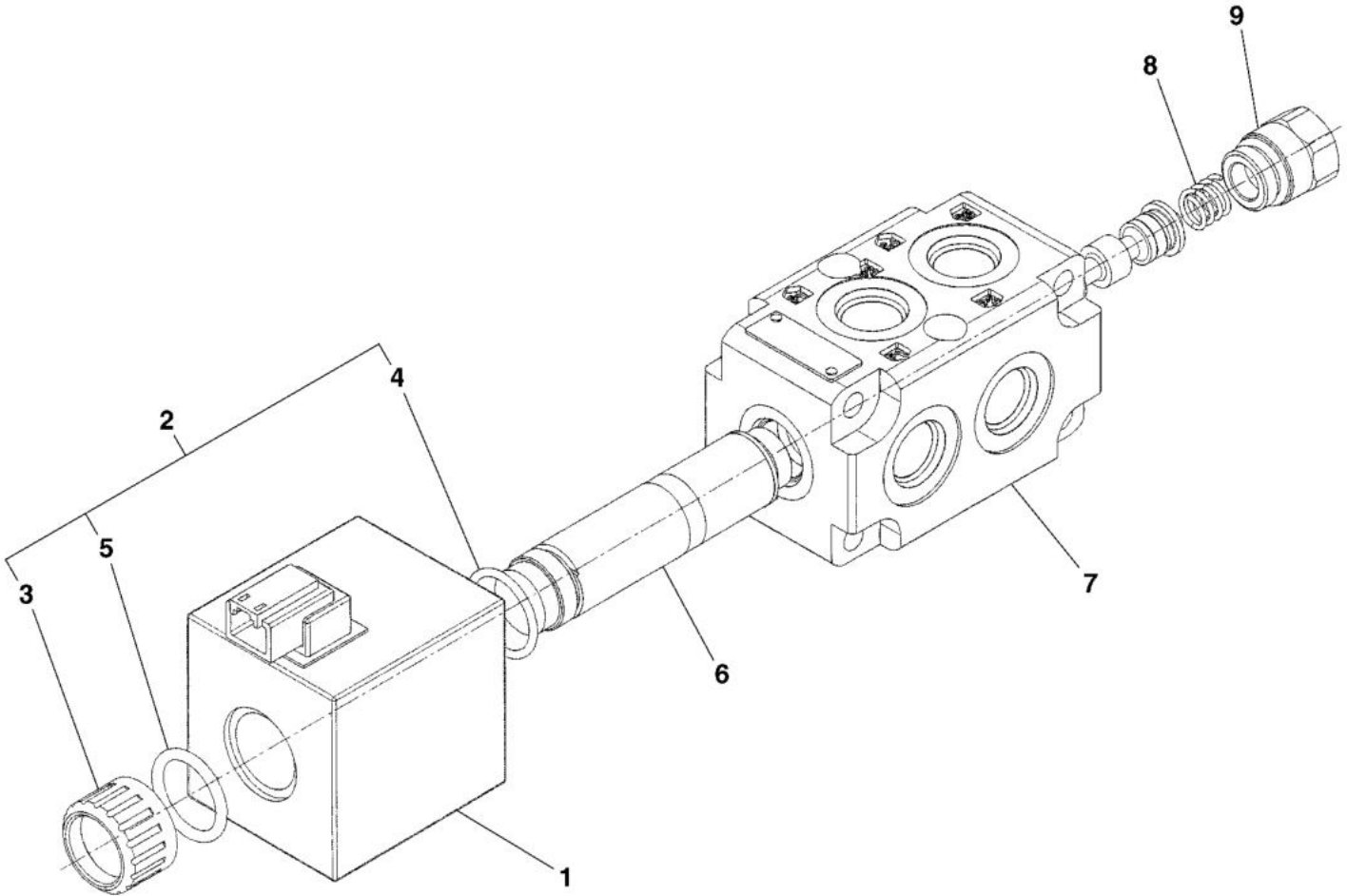


HOH100

S=FREE

Item	Part No.	Name	Qty	Uom	Remarks	SERIAL NUMBER
0	1901756100	VALVE ASSY, solenoid	1	EA		
1	1901734404	SPRING	1	EA		
2	1901738312	PLUG	1	EA		
3	1110050512	SCREW, cap (10TM5 X 12 P/0.8)	2	EA		
4	1420010160	O-RING	1	EA		
5	1420010110	O-RING	1	EA		
6	1901044619	PROTECTOR	1	EA		
7	1901750805	SOLENOID	1	EA		

HYDRAULIC DEVICE SOLENOID VALVE; 1 BLOCK (with 4th aux. line)

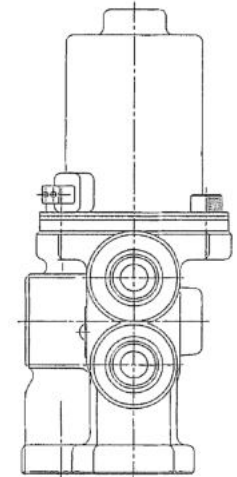
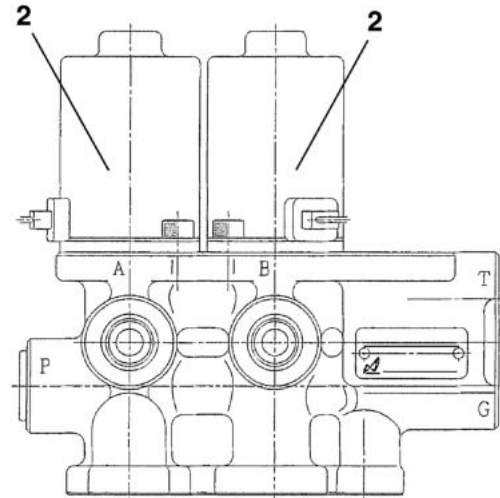
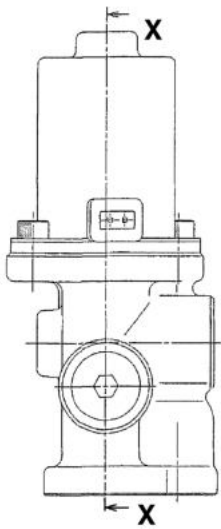
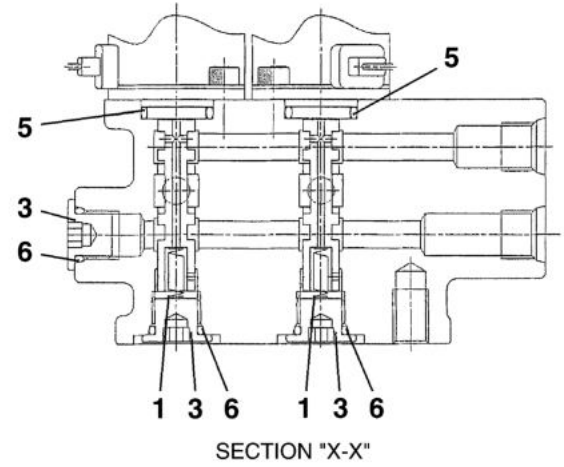
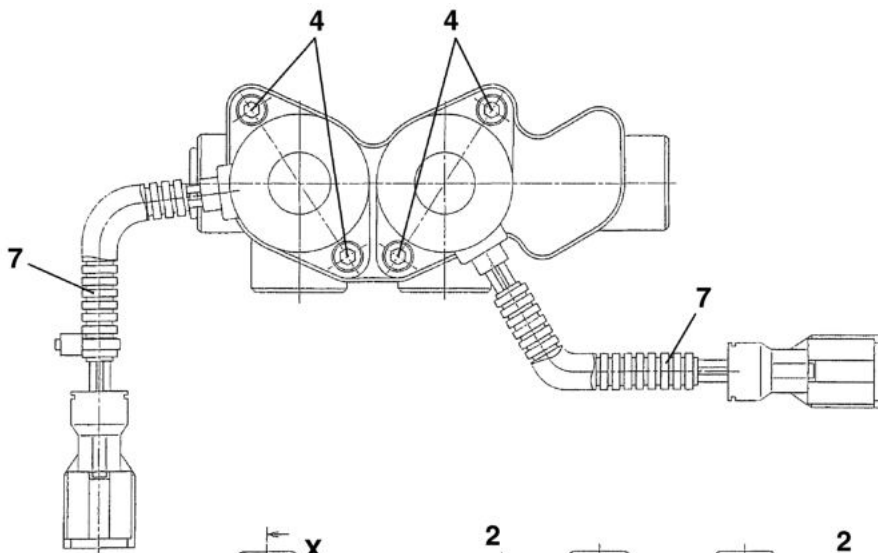


L5H040

S-free

Item	Part No.	Name	Qty	Uom	Remarks	SERIAL NUMBER
0	1901749100	VALVE, solenoid	1	EA		
1	1901749101	COIL	1	EA		
2	1901748320	NUT ASSY	1	EA		
3	1901748321	NUT	1	EA		
4	1901748322	O-RING	1	EA		
5	1901748323	O-RING	1	EA		
6	1901748306	KIT, tube	1	EA		
7	1901748307	BODY	1	EA		
8	1901748309	SPRING	1	EA		
9	1901748310	PLUG	1	EA		

HYDRAULIC DEVICE SOLENOID VALVE; 2 BLOCKS (for angle blade)

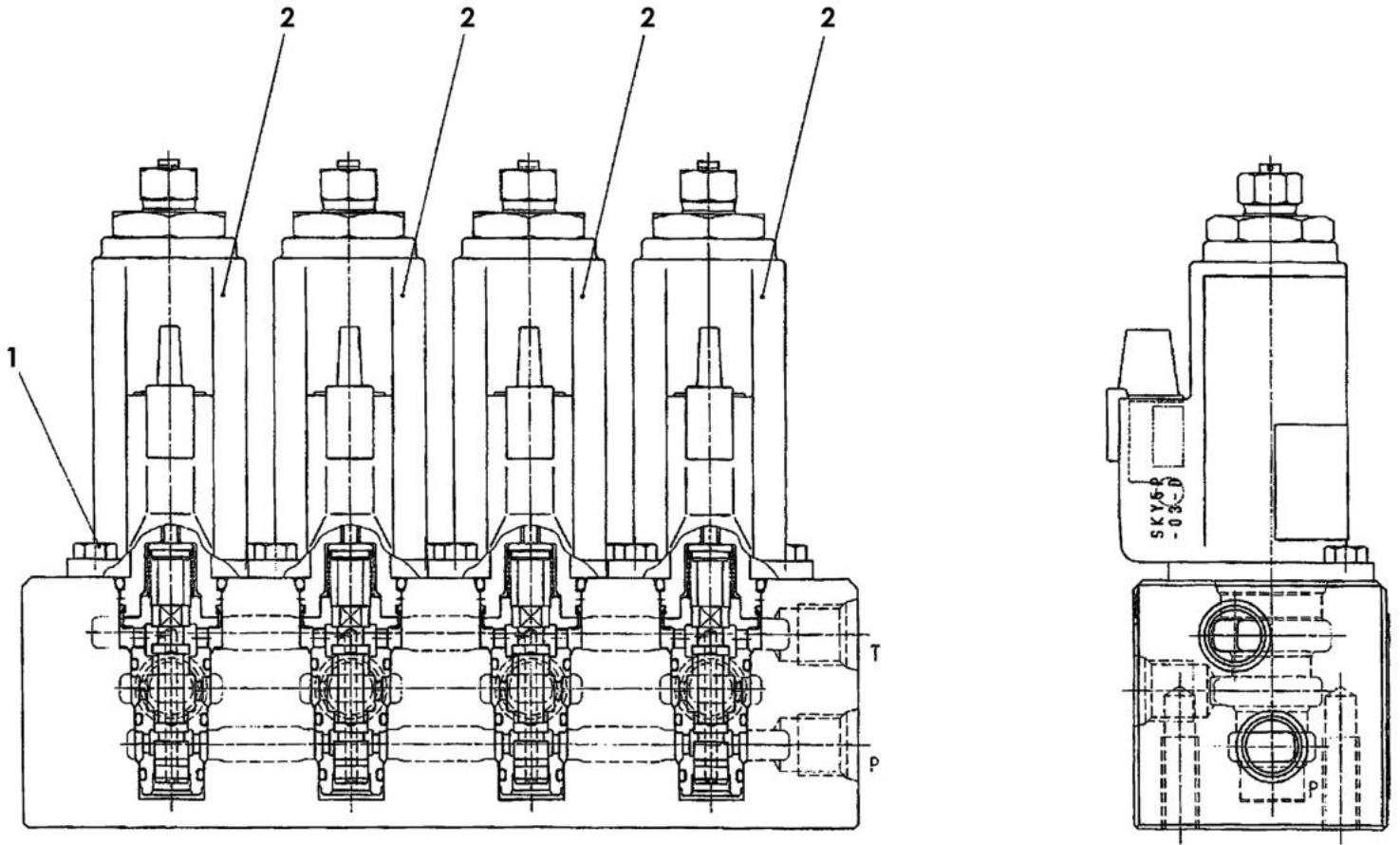


G7H200

S=free

Item	Part No.	Name	Qty	Uom	Remarks	SERIAL NUMBER
0	1901751000	VALVE ASSY, solenoid	1	EA		
1	1901735511	SPRING	2	EA		
2	1901748816	SOLENOID	2	EA		
3	1901738312	PLUG	3	EA		
4	1110050512	SCREW, cap (10TM5 X 12 P/0.8)	4	EA		
5	1420010160	O-RING	2	EA		
6	1420010110	O-RING	3	EA		
7	1901044619	PROTECTOR	2	EA		

HYDRAULIC DEVICE SOLENOID VALVE; 4 BLOCKS

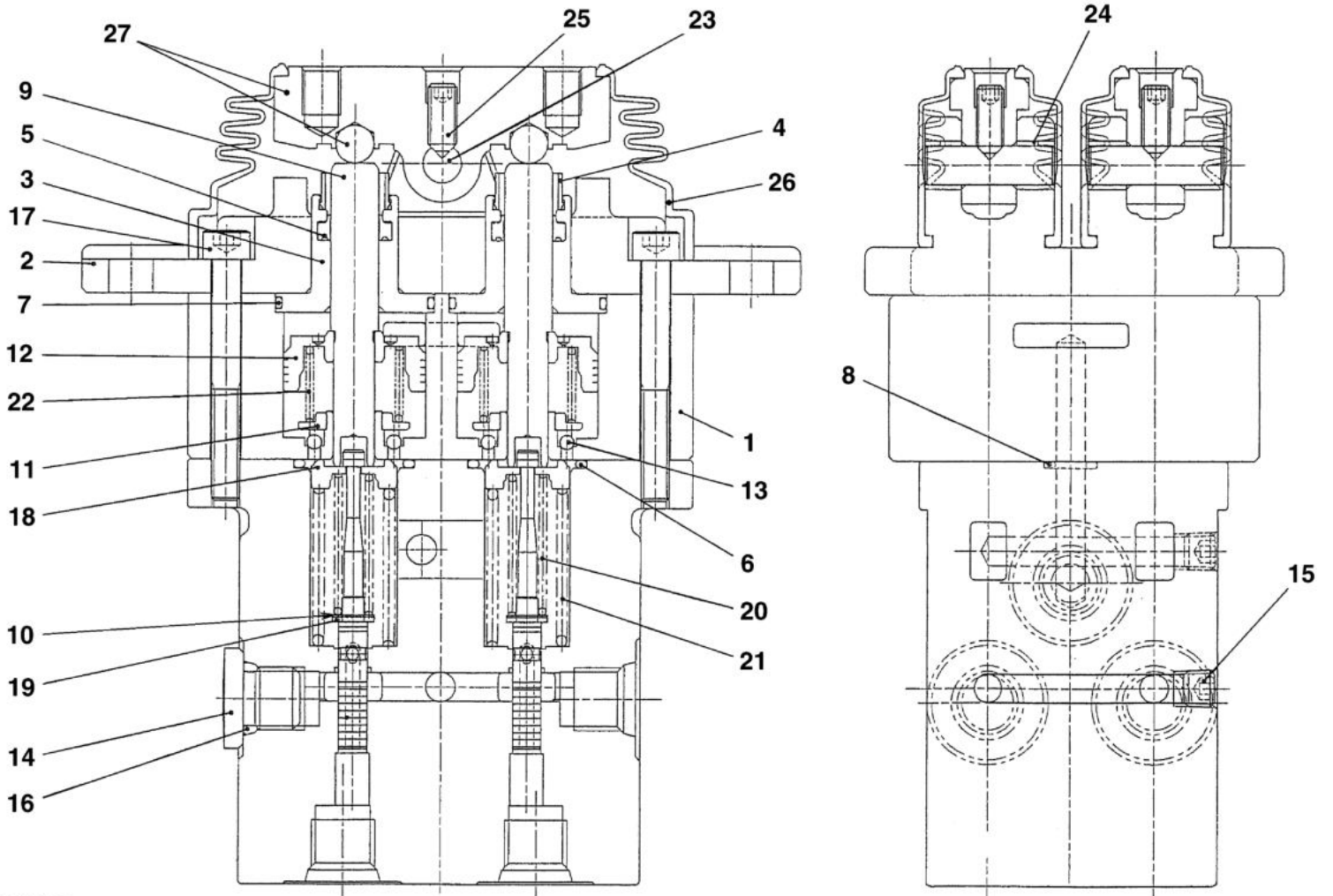


Q0H160

S=free

Item	Part No.	Name	Qty	Uom	Remarks	SERIAL NUMBER
0	1901762400	SOLENOID	1	EA		
1	1100050512	BOLT	8	EA		
2	1901752103	VALVE, proportional	4	EA		

HYDRAULIC DEVICE REMOTE CONTROL VALVE (travel)

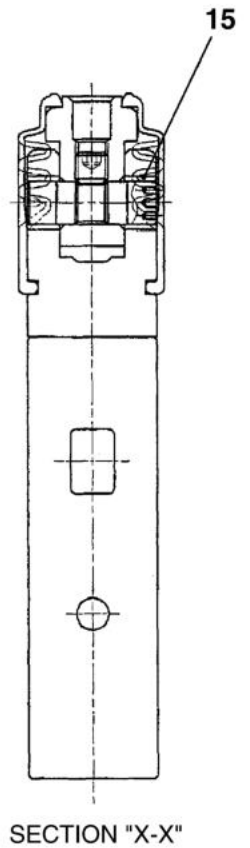
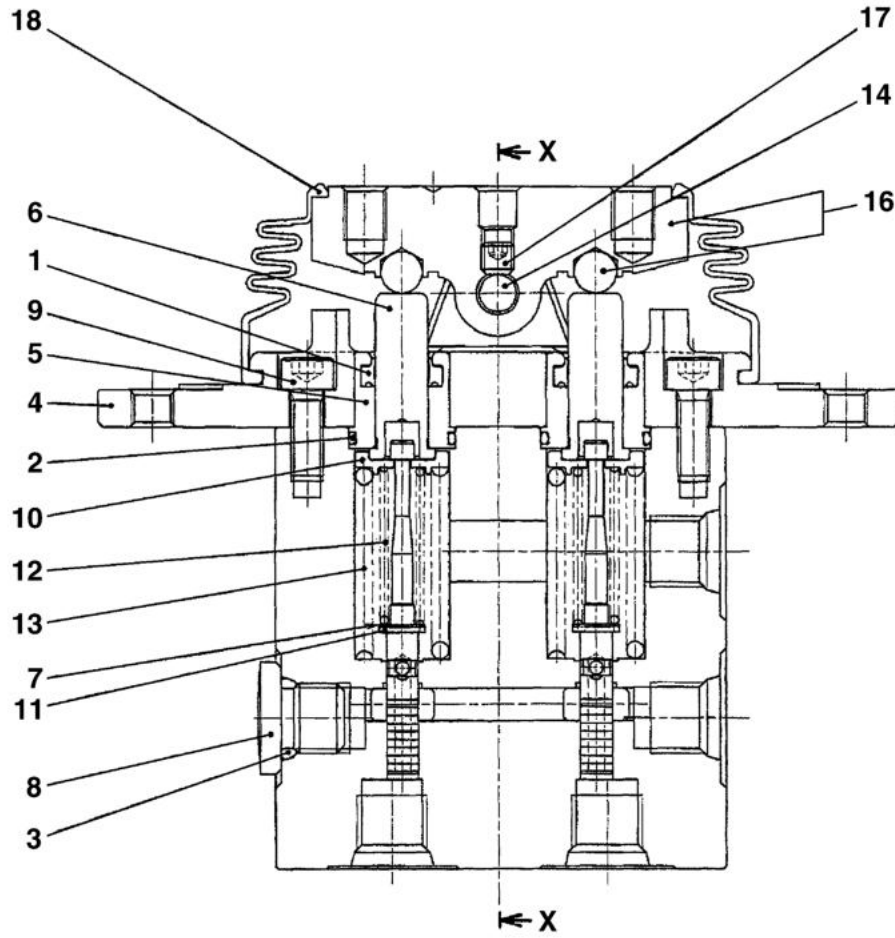


G7H210

S-free

Item	Part No.	Name	Qty	Uom	Remarks	SERIAL NUMBER
0	1901750500	VALVE	1	EA		
1	1901750501	CASING	1	EA		
2	1901750502	COVER	2	EA		
3	1901750503	PLUG	4	EA		
4	1901750504	CUP	4	EA		
5	1901745404	PACKING	4	EA		
6	1420300020	O-RING	4	EA		
7	1420300025	O-RING	4	EA		
8	1420010080	O-RING	2	EA		
9	1901750509	ROD	4	EA		
10	1901745407	SHIM	4	EA		
11	1901750511	SEAT, spring	4	EA		
12	1901750512	PISTON	4	EA		
13	1390010030	BALL, steel	12	EA		
14	1420010110	O-RING	1	EA		
14	1501750002	PLUG (FOR O-RING USE # 1420010110)	3	EA		
14	1420010110	O-RING	1	EA		
15	1501810000	PLUG	2	EA		
16	1420010110	O-RING	3	EA		
16	1420010110	O-RING	3	EA		
17	1110040650	SCREW, cap	4	EA		
18	1901750519	SEAT, spring	4	EA		
19	1901745413	WASHER	4	EA		
20	1901750521	SPRING	4	EA		
21	1901750522	SEAT, spring	4	EA		
22	1901750523	SPRING	4	EA		
23	1901750524	SHAFT	2	EA		
24	1901750525	BUSHING	4	EA		
25	1901750528	SET-SCREW	2	EA		
26	1901738251	BOOT	2	EA		
27	1901738298	CAM ASSY	1	EA		

HYDRAULIC DEVICE REMOTE CONTROL VALVE (swing)

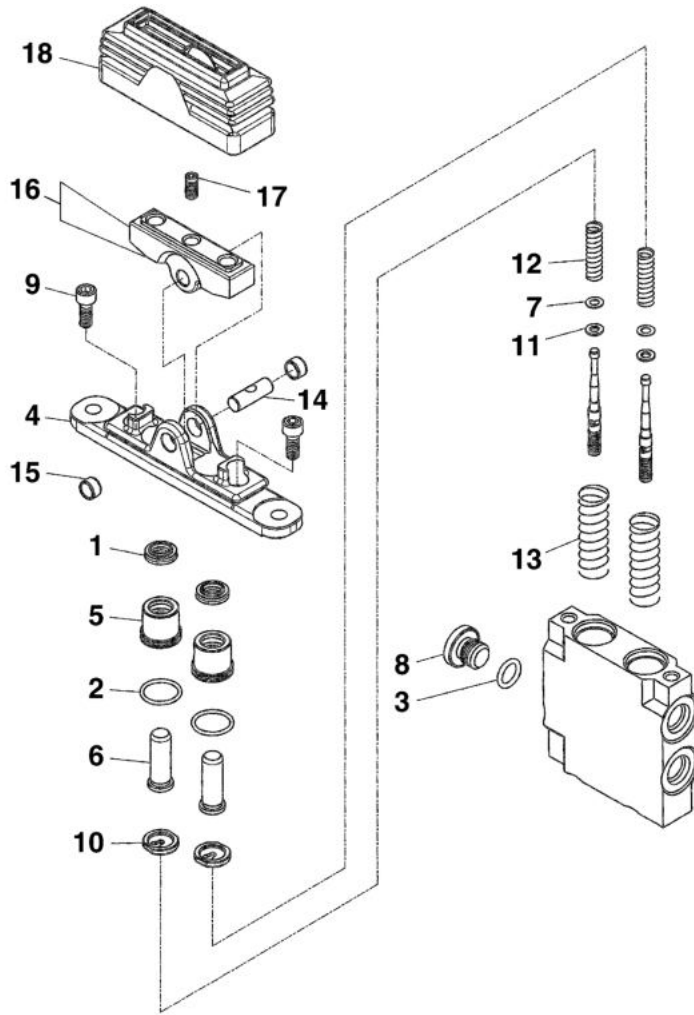


N2H010

S=FREE

Item	Part No.	Name	Qty	Uom	Remarks	SERIAL NUMBER
0	1901735000	VALVE, remote control	1	EA		
0-1	1901745499	KIT, seal (DOZER/SWING BLADE)	1	EA		
1	1901745404	PACKING	2	EA		
2	1420300017	O-RING	2	EA		
3	1420010110	O-RING	1	EA		
4	1901745402	COVER	1	EA		
5	1901745403	PLUG	2	EA		
6	1901745406	ROD	2	EA		
7	1901745407	SHIM	2	EA		
8	1501750002	PLUG (FOR O-RING USE # 1420010110)	1	EA		
8	1420010110	O-RING	1	EA		
9	1110020616	SCREW, cap	2	EA		
10	1901745412	HOLDER	2	EA		
11	1901745413	WASHER	2	EA		
12	1901745414	SPRING	2	EA		
13	1901735015	SPRING	2	EA		
14	1901735016	SHAFT	1	EA		
15	1901745417	BUSHING	2	EA		
16	1901735018	CAM ASSY	1	EA		
17	1121040606	SET-SCREW	1	EA		
18	1901735001	BOOT	1	EA		

HYDRAULIC DEVICE REMOTE CONTROL VALVE (dozer blade)

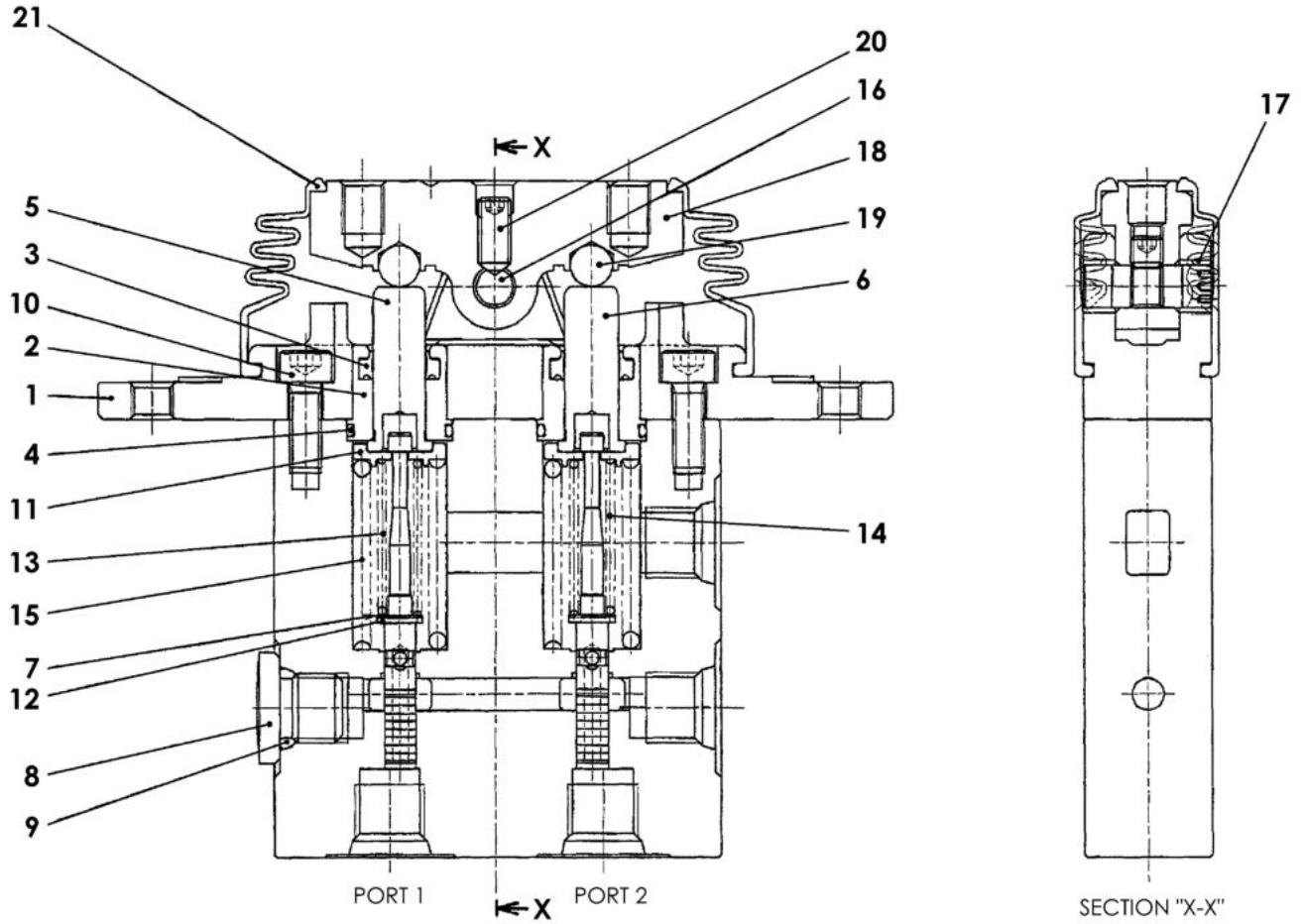


N2H021

S=free

Item	Part No.	Name	Qty	Uom	Remarks	SERIAL NUMBER
0	1901745400	VALVE ASSY, remote control	1	EA		
0-1	1901745499	KIT, seal (DOZER/SWING BLADE)	1	EA		
1	1901745404	PACKING	2	EA		
2	1420300017	O-RING	2	EA		
3	1420010110	O-RING	1	EA		
4	1901745402	COVER	1	EA		
5	1901745403	PLUG	2	EA		
6	1901745406	ROD	2	EA		
7	1901745407	SHIM	2	EA		
8	1501750002	PLUG (FOR O-RING USE # 1420010110)	1	EA		
8	1420010110	O-RING	1	EA		
9	1110020616	SCREW, cap	2	EA		
10	1901745412	HOLDER	2	EA		
11	1901745413	WASHER	2	EA		
12	1901745414	SPRING	2	EA		
13	1901745415	SPRING	2	EA		
14	1901735016	SHAFT	1	EA		
15	1901745417	BUSHING	2	EA		
16	1901735018	CAM ASSY	1	EA		
17	1121040606	SET-SCREW	1	EA		
18	1901735001	BOOT	1	EA		

HYDRAULIC DEVICE REMOTE CONTROL VALVE (angle blade)

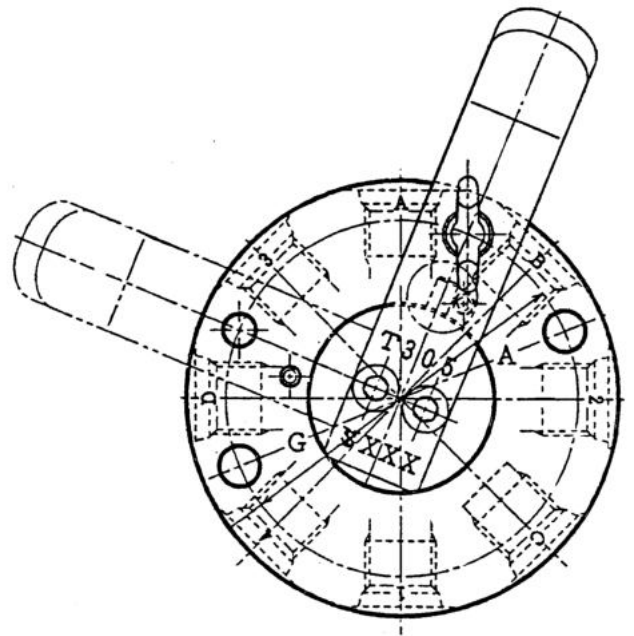
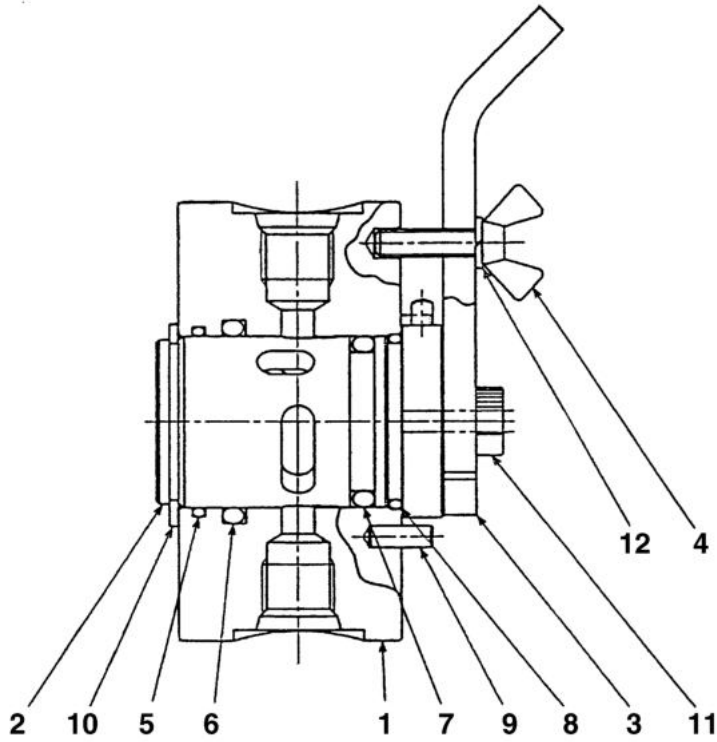


Q1H060

S=FREE

Item	Part No.	Name	Qty	Uom	Remarks	SERIAL NUMBER
0	1901764100	VALVE	1	EA		
1	1901745402	COVER	1	EA		
2	1901745403	PLUG	2	EA		
3	1901745404	PACKING	2	EA		
4	1420310017	O-RING	2	EA		
5	1901764105	ROD	1	EA		
6	1901745406	ROD	1	EA		
7	1901745407	SHIM	2	EA		
8	1901745408	PLUG	1	EA		
9	1420010110	O-RING	1	EA		
10	1110050616	SCREW, cap	2	EA		
11	1901745412	HOLDER	2	EA		
12	1901745413	WASHER	2	EA		
13	1901764113	SPRING	1	EA		
14	1901745414	SPRING	1	EA		
15	1901745415	SPRING	2	EA		
16	1901745416	SHAFT	1	EA		
17	1901745417	BUSHING	2	EA		
18	1901764118	CAM	1	EA		
19	1390010500	BALL, steel	2	EA		
20	1901745420	SET-SCREW	1	EA		
21	1901735001	BOOT	1	EA		

HYDRAULIC DEVICE SELECTOR VALVE (A-G pattern)

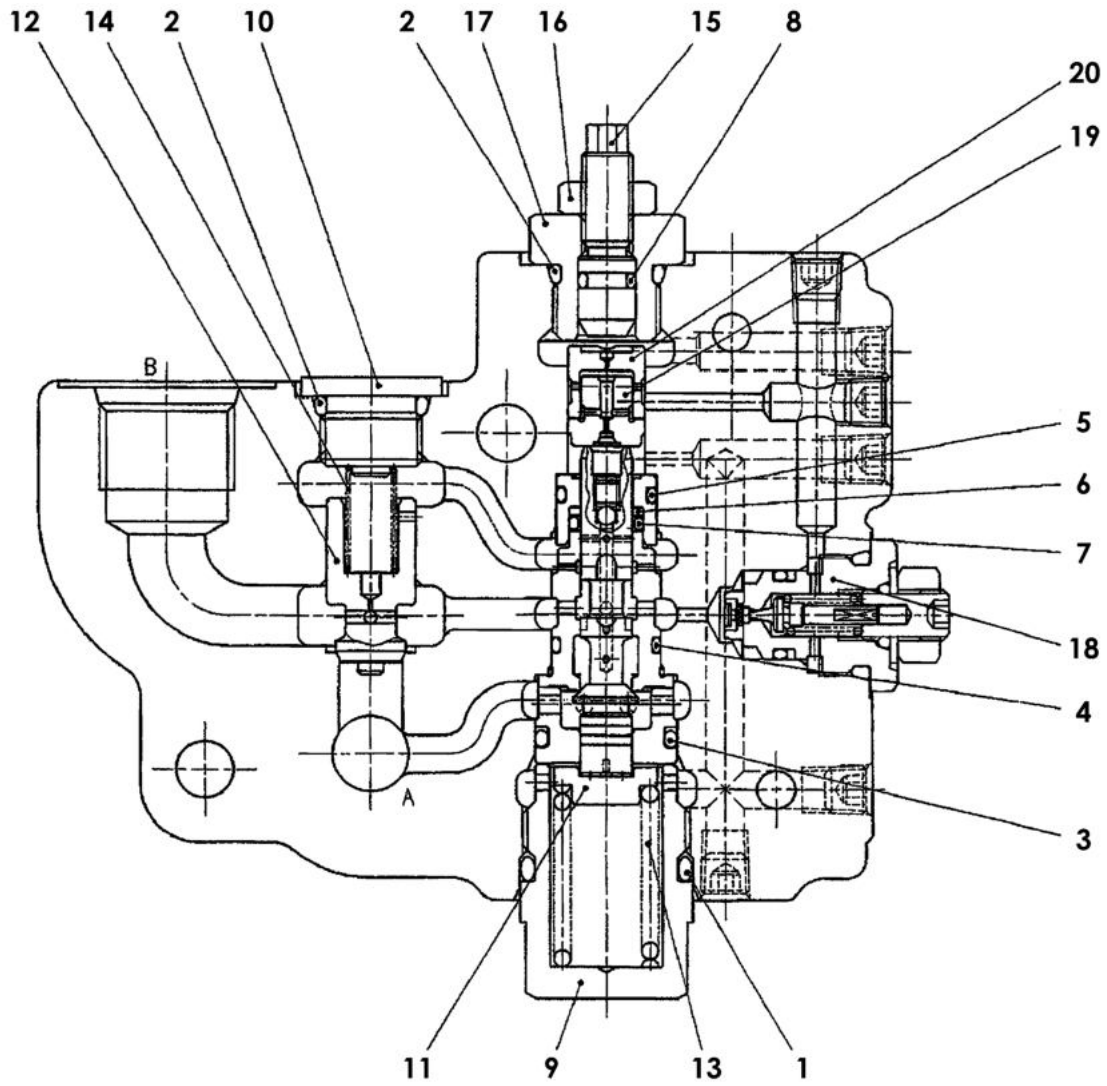


C4H180

S=FREE

Item	Part No.	Name	Qty	Uom	Remarks	SERIAL NUMBER
0	1901730500	VALVE, selector	1	EA		
1	1901730501	BODY	1	EA		
2	1901730502	ROTOR	1	EA		
3	1901730503	LEVER	1	EA		
4	1901730504	BOLT	1	EA		
5	1901730505	O-RING	1	EA		
6	1901730506	O-RING	1	EA		
7	1901730507	O-RING	1	EA		
8	1901730508	O-RING	1	EA		
9	1213000412	PIN, spring	3	EA		
10	1220000030	RING, snap	1	EA		
11	1110050514	SCREW, cap	2	EA		
12	1140020005	WASHER, spring	1	EA		

HYDRAULIC DEVICE SHUT-OFF VALVE (boom) (126100003-126102002)

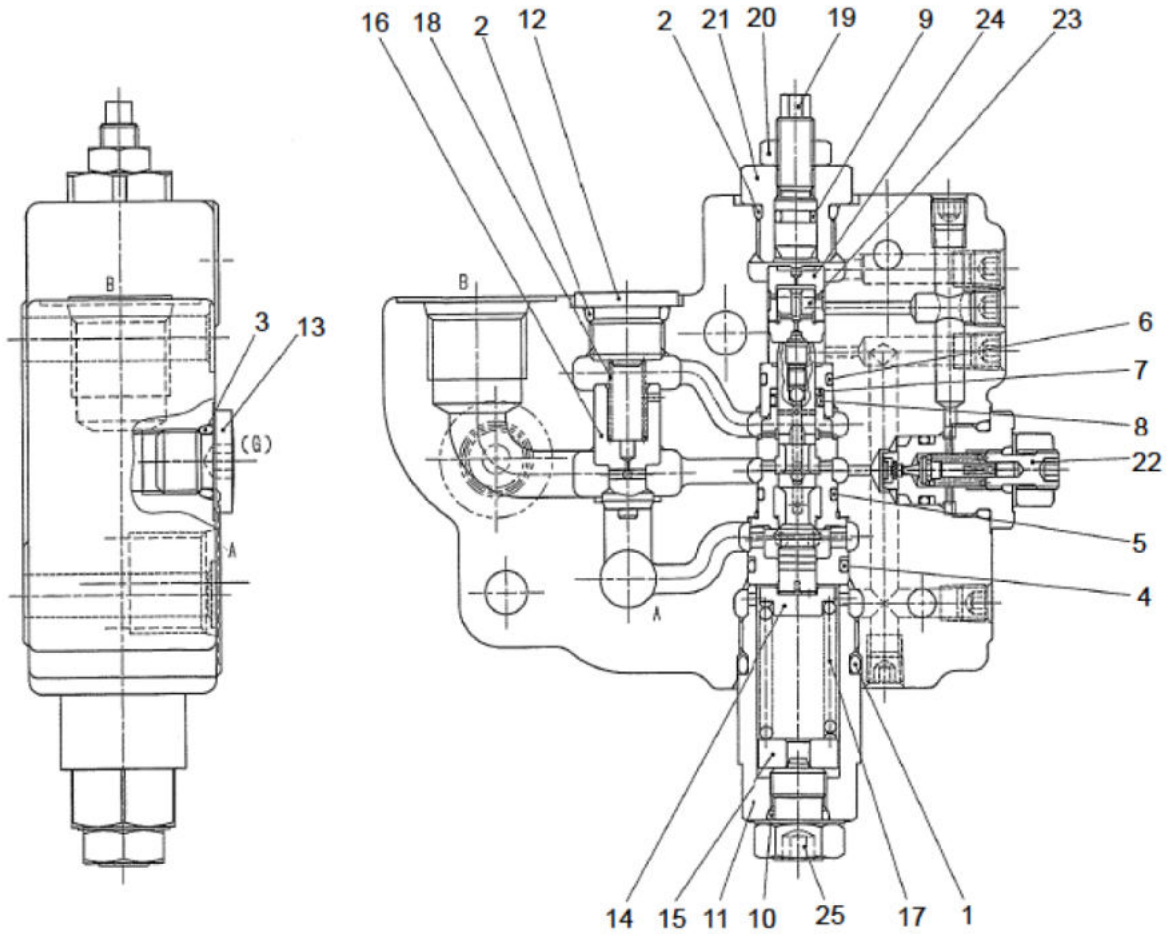


Q0H250

S=Free

Item	Part No.	Name	Qty	Uom	Remarks	SERIAL NUMBER
0	1901767700	VALVE, emergency shut-off	1	EA		
0-1	1901758999	KIT, seal	1	EA		
1	1420310118	O-RING	1	EA		
2	1420010140	O-RING	2	EA		
3	1420010180	O-RING	1	EA		
4	1420010150	O-RING	1	EA		
5	1420310014	O-RING	1	EA		
6	1901758906	RING, back-up	1	EA		
7	1901758907	SEAL	1	EA		
8	1420010060	O-RING (P-6 90B)	1	EA		
9	1901758902	PLUG	1	EA		
10	1901758903	PLUG	1	EA		
11	1901758904	SEAT, spring	1	EA		
12	1901758905	POPPET	1	EA		
13	1901758916	SPRING	1	EA		
14	1901758917	SPRING	1	EA		
15	1901758908	VALVE, needle	1	EA		
16	1130050008	NUT	1	EA		
17	1901758910	PLUG	1	EA		
18	1901762511	VALVE, relief	1	EA		
19	1901758912	PISTON	1	EA		
20	1901758913	PISTON	1	EA		

HYDRAULIC DEVICE SHUT-OFF VALVE (boom) (126102003-)

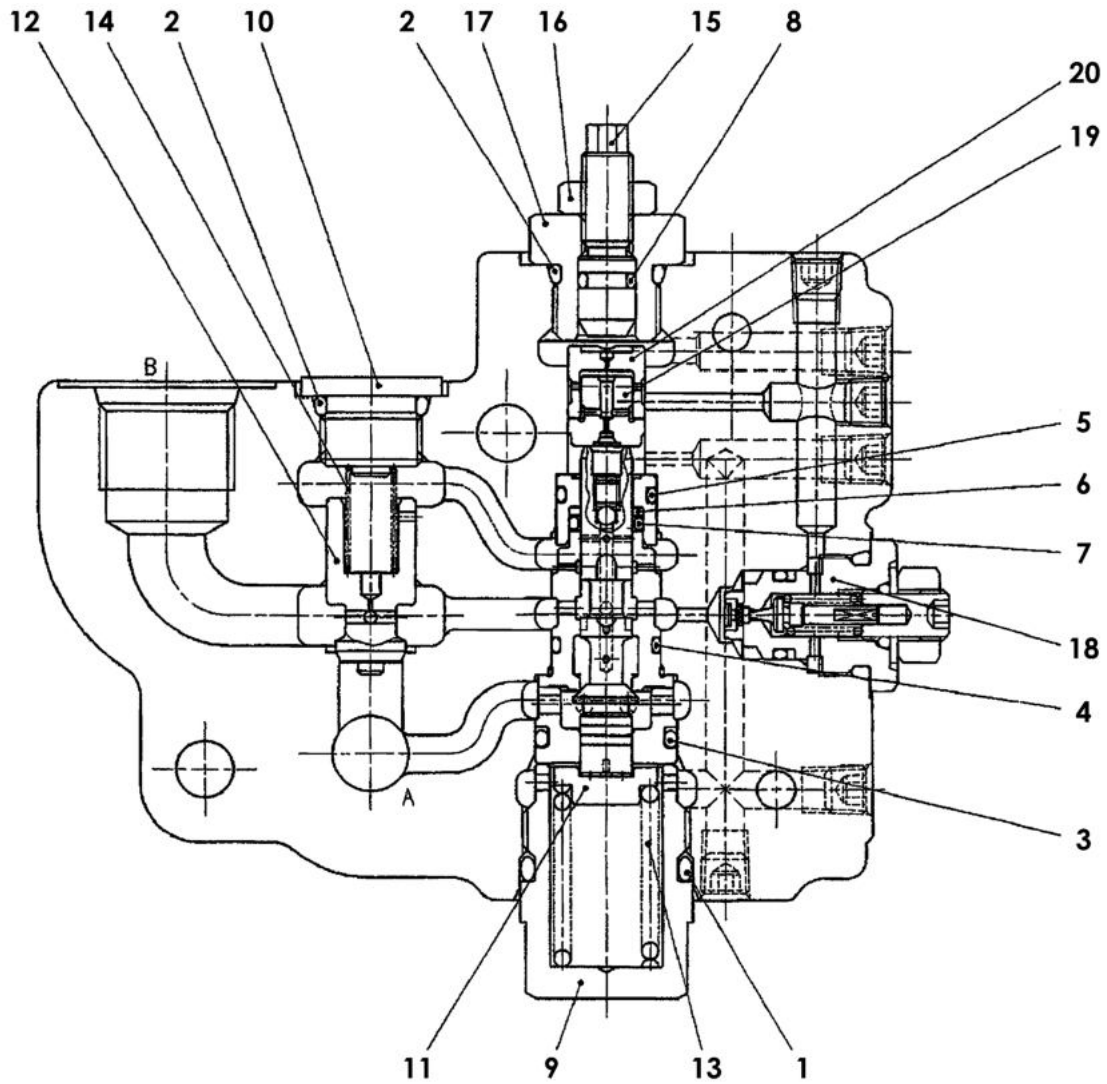


Q0H250-1

0-free

Item	Part No.	Name	Qty	Uom	Remarks	SERIAL NUMBER
0	1901767700	VALVE, emergency shut-off	1	EA		
0-1	1901767799	KIT, seal	1	EA		
1	1420310118	O-RING	1	EA		
2	1420010140	O-RING	2	EA		
3	1420010110	O-RING	1	EA		
4	1420010180	O-RING	1	EA		
5	1420310015	O-RING	1	EA		
6	1420310014	O-RING	1	EA		
7	1901758906	RING, back-up	1	EA		
8	1901758907	SEAL	1	EA		
9	1420010060	O-RING (P-6 90B)	1	EA		
10	1420010100	O-RING (PUMP)	1	EA		
11	1901767101	PLUG	1	EA		
12	1901758903	PLUG	1	EA		
13	1901767102	PLUG	1	EA		
14	1901758904	SEAT, spring	1	EA		
15	1901767103	SEAT, spring	1	EA		
16	1901758905	POPPET	1	EA		
17	1901758916	SPRING	1	EA		
18	1901758917	SPRING	1	EA		
19	1901758908	VALVE, needle	1	EA		
20	1130050008	NUT	1	EA		
21	1901758910	PLUG	1	EA		
22	1901762511	VALVE, relief	1	EA		
23	1901758912	PISTON	1	EA		
24	1901758913	PISTON	1	EA		
25	1901767105	KIT, adjuster	1	EA		

HYDRAULIC DEVICE SHUT-OFF VALVE (arm) (126100003-126101991)

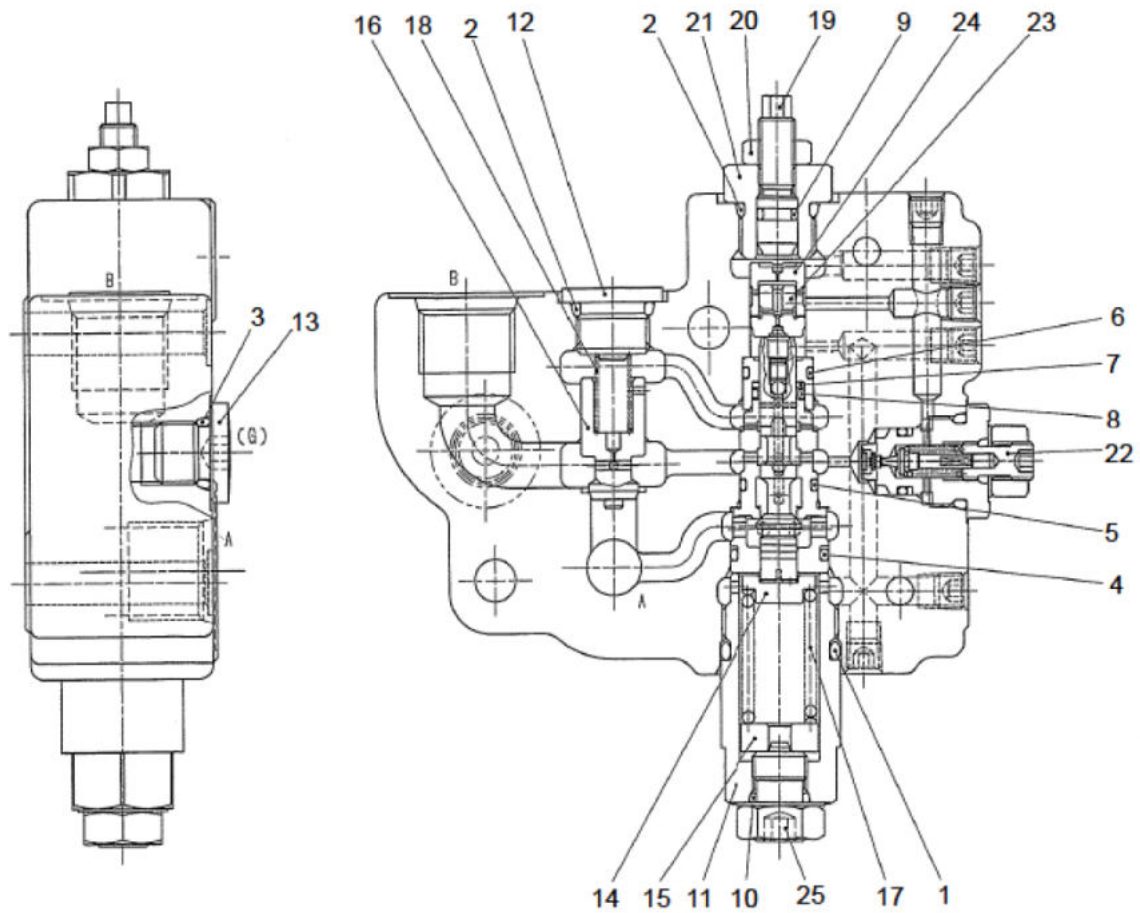


Q0H250

S=Free

Item	Part No.	Name	Qty	Uom	Remarks	SERIAL NUMBER
0	1901767700	VALVE, emergency shut-off	1	EA		
0-1	1901758999	KIT, seal	1	EA		
1	1420310118	O-RING	1	EA		
2	1420010140	O-RING	2	EA		
3	1420010180	O-RING	1	EA		
4	1420010150	O-RING	1	EA		
5	1420310014	O-RING	1	EA		
6	1901758906	RING, back-up	1	EA		
7	1901758907	SEAL	1	EA		
8	1420010060	O-RING (P-6 90B)	1	EA		
9	1901758902	PLUG	1	EA		
10	1901758903	PLUG	1	EA		
11	1901758904	SEAT, spring	1	EA		
12	1901758905	POPPET	1	EA		
13	1901762616	SPRING	1	EA		
14	1901758917	SPRING	1	EA		
15	1901758908	VALVE, needle	1	EA		
16	1130050008	NUT	1	EA		
17	1901758910	PLUG	1	EA		
18	1901762611	VALVE, relief	1	EA		
19	1901758912	PISTON	1	EA		
20	1901758913	PISTON	1	EA		

HYDRAULIC DEVICE SHUT-OFF VALVE (arm) (126101992-)

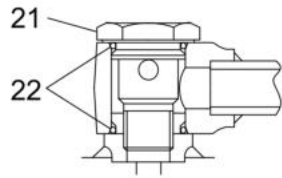
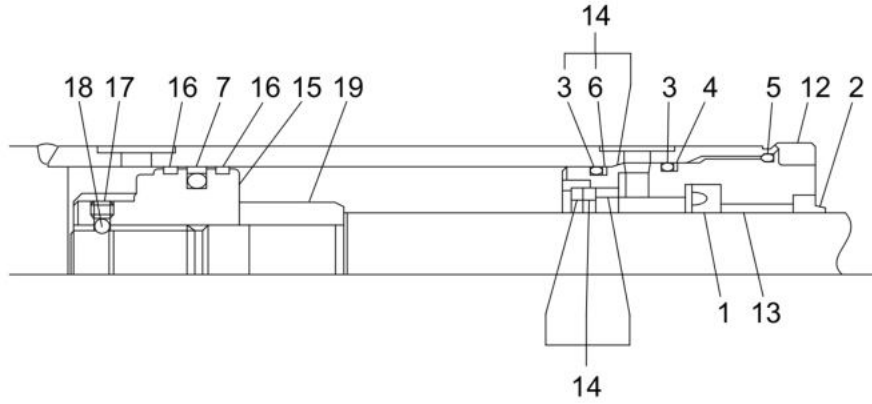


Q0H250-1

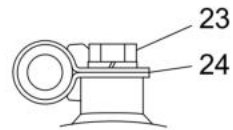
3=free

Item	Part No.	Name	Qty	Uom	Remarks	SERIAL NUMBER
0	1901767800	VALVE, emergency shut-off	1	EA		
0-1	1901767799	KIT, seal	1	EA		
1	1420310118	O-RING	1	EA		
2	1420010140	O-RING	2	EA		
3	1420010110	O-RING	1	EA		
4	1420010180	O-RING	1	EA		
5	1420310015	O-RING	1	EA		
6	1420310014	O-RING	1	EA		
7	1901758906	RING, back-up	1	EA		
8	1901758907	SEAL	1	EA		
9	1420010060	O-RING (P-6 90B)	1	EA		
10	1420010100	O-RING (PUMP)	1	EA		
11	1901767101	PLUG	1	EA		
12	1901758903	PLUG	1	EA		
13	1901767102	PLUG	1	EA		
14	1901758904	SEAT, spring	1	EA		
15	1901767103	SEAT, spring	1	EA		
16	1901758905	POPPET	1	EA		
17	1901762616	SPRING	1	EA		
18	1901758917	SPRING	1	EA		
19	1901758908	VALVE, needle	1	EA		
20	1130050008	NUT	1	EA		
21	1901758910	PLUG	1	EA		
22	1901762611	VALVE, relief	1	EA		
23	1901758912	PISTON	1	EA		
24	1901758913	PISTON	1	EA		
25	1901767105	KIT, adjuster	1	EA		

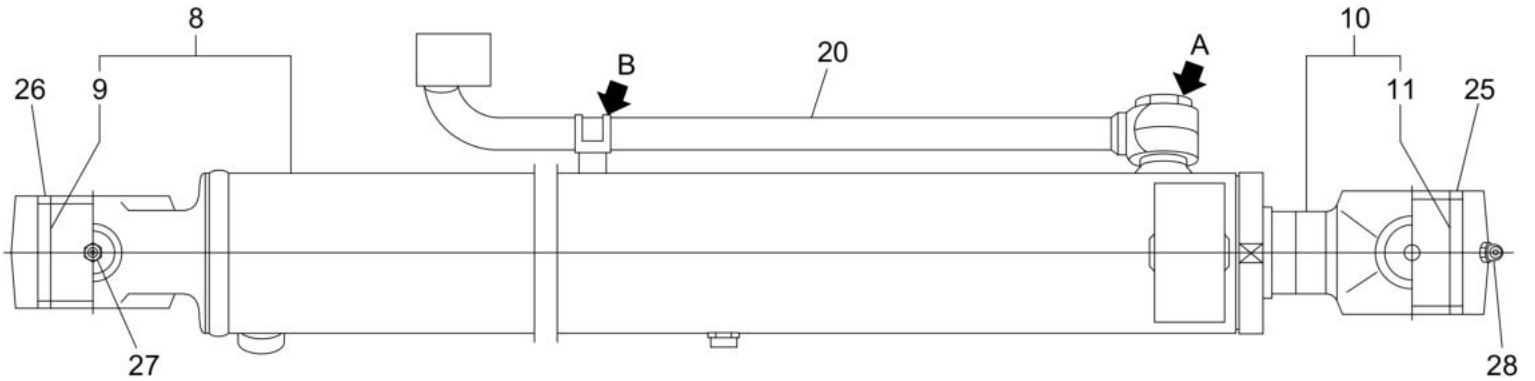
HYDRAULIC DEVICE BOOM CYLINDER



DETAIL "A"



DETAIL "B"

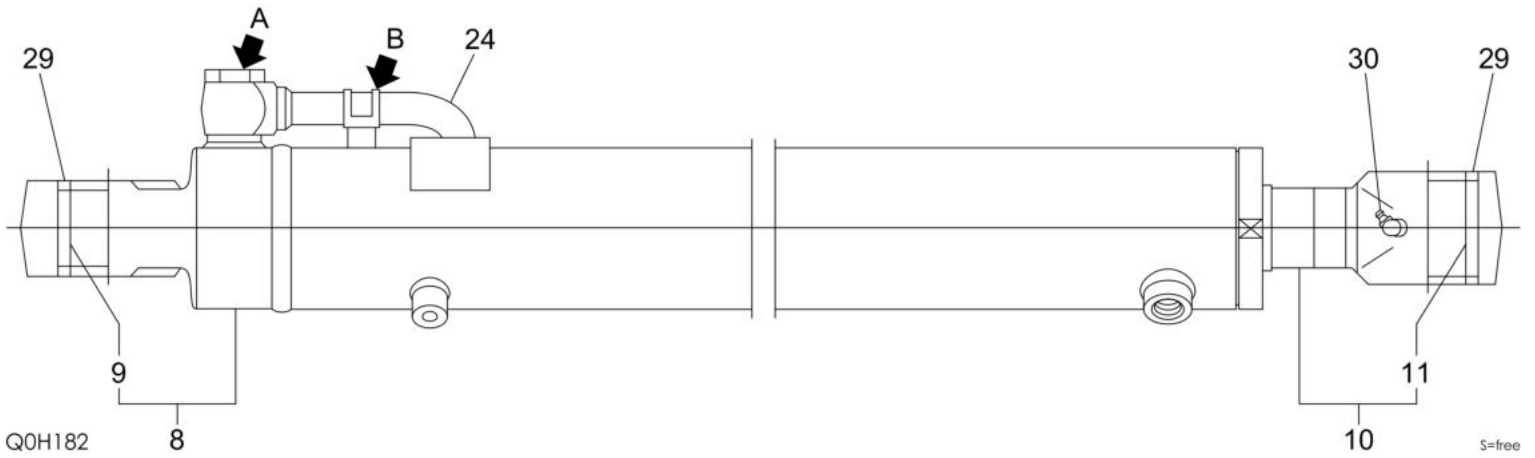
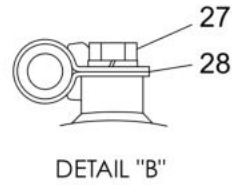
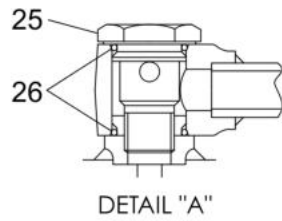
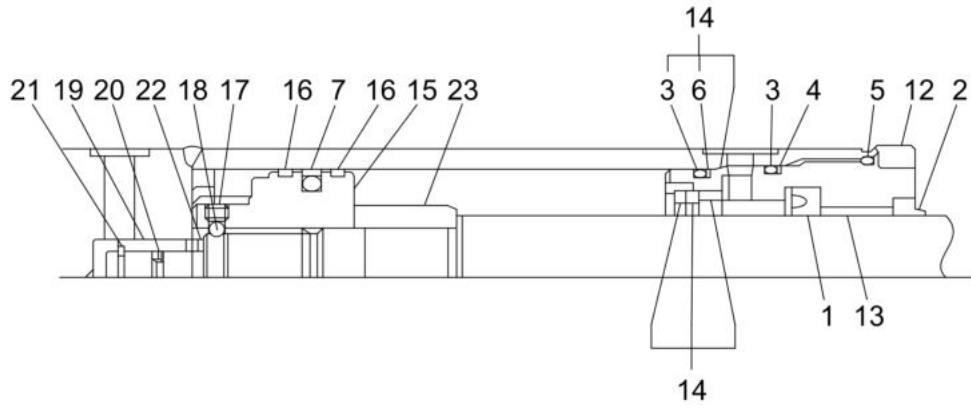


Q0H172

S=free

Item	Part No.	Name	Qty	Uom	Remarks	SERIAL NUMBER
0	1900112800	CYLINDER, boom	1	EA		
0-1	1900112899	KIT, seal (BOOM CYLINDER)	1	EA		
1	1900047433	PACKING, rod	1	EA		
2	1900071532	SEAL,dust	1	EA		
3	1420110950	O-RING	2	EA		
4	1900086928	RING, back-up	1	EA		
5	1420111000	O-RING	1	EA		
6	1900063728	RING, back-up	1	EA		
7	1900047031	PACKING, piston	1	EA		
8	1900112898	TUBE ASSY	1	EA		
9	1900112802	BUSHING	1	EA		
10	1900112897	ROD ASSY	1	EA		
11	1900112820	BUSHING	1	EA		
12	1900112830	COVER, rod	1	EA		
13	1900112851	BUSHING	1	EA		
14	1900112855	HOLDER ASSY	1	EA		
15	1900112806	PISTON	1	EA		
16	1900089525	RING, wear	2	EA		
17	1121051010	SET-SCREW	1	EA		
18	1390020400	BALL, steel	1	EA		
19	1900112816	RING, cushion	1	EA		
20	1900112810	PIPE ASSY	1	EA		
21	1900086958	PLUG	1	EA		
22	1420010260	O-RING	2	EA		
23	1900117819	BOLT	1	EA		
24	1900086917	HOLDER, pipe	1	EA		
25	1900112838	SEAL, dust	2	EA		
26	1900112833	SEAL, dust	2	EA		
27	1900105028	FITTING, grease	1	EA		
28	1900105029	FITTING, grease	1	EA		

HYDRAULIC DEVICE ARM CYLINDER

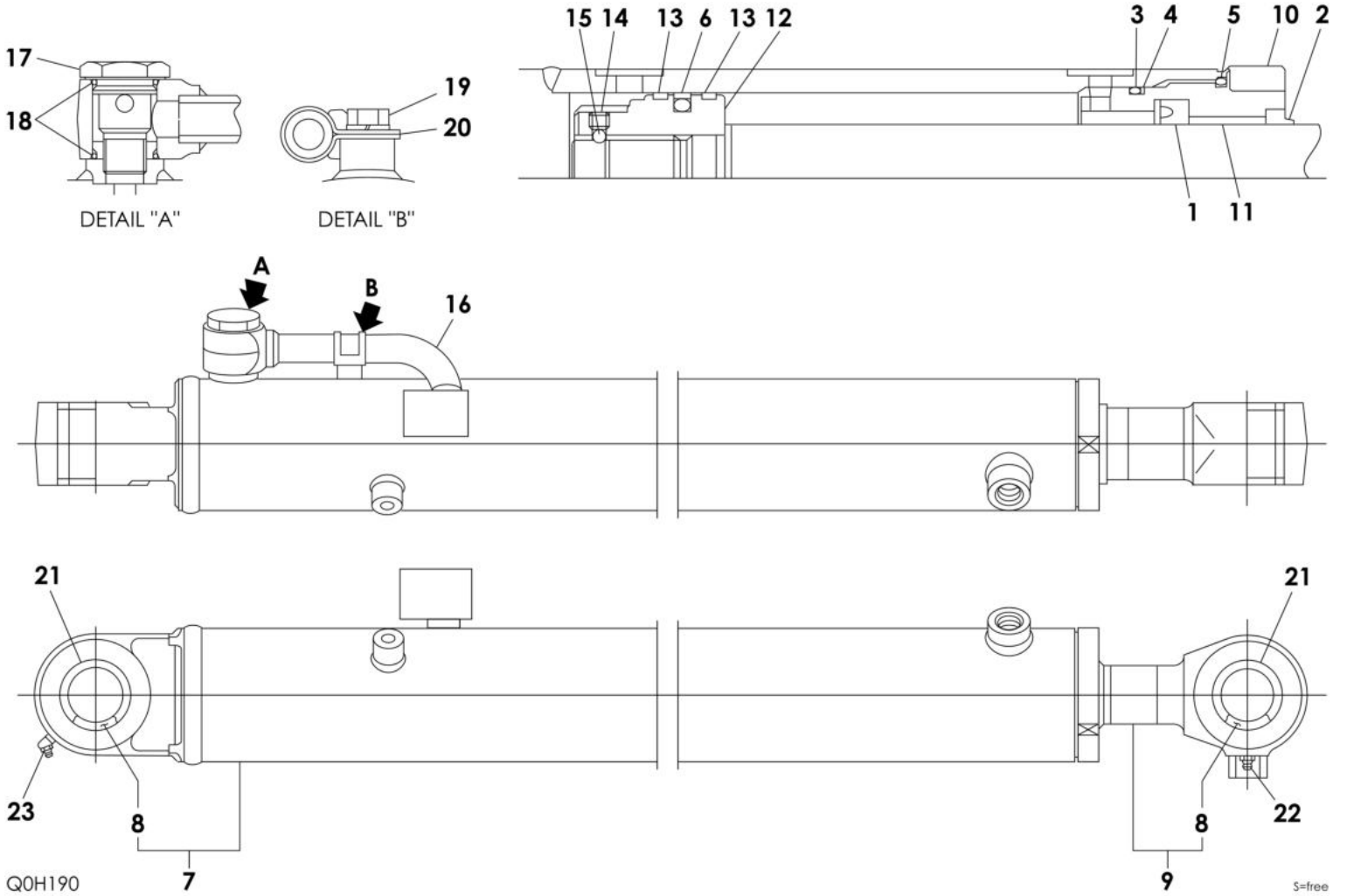


Q0H182

S=free

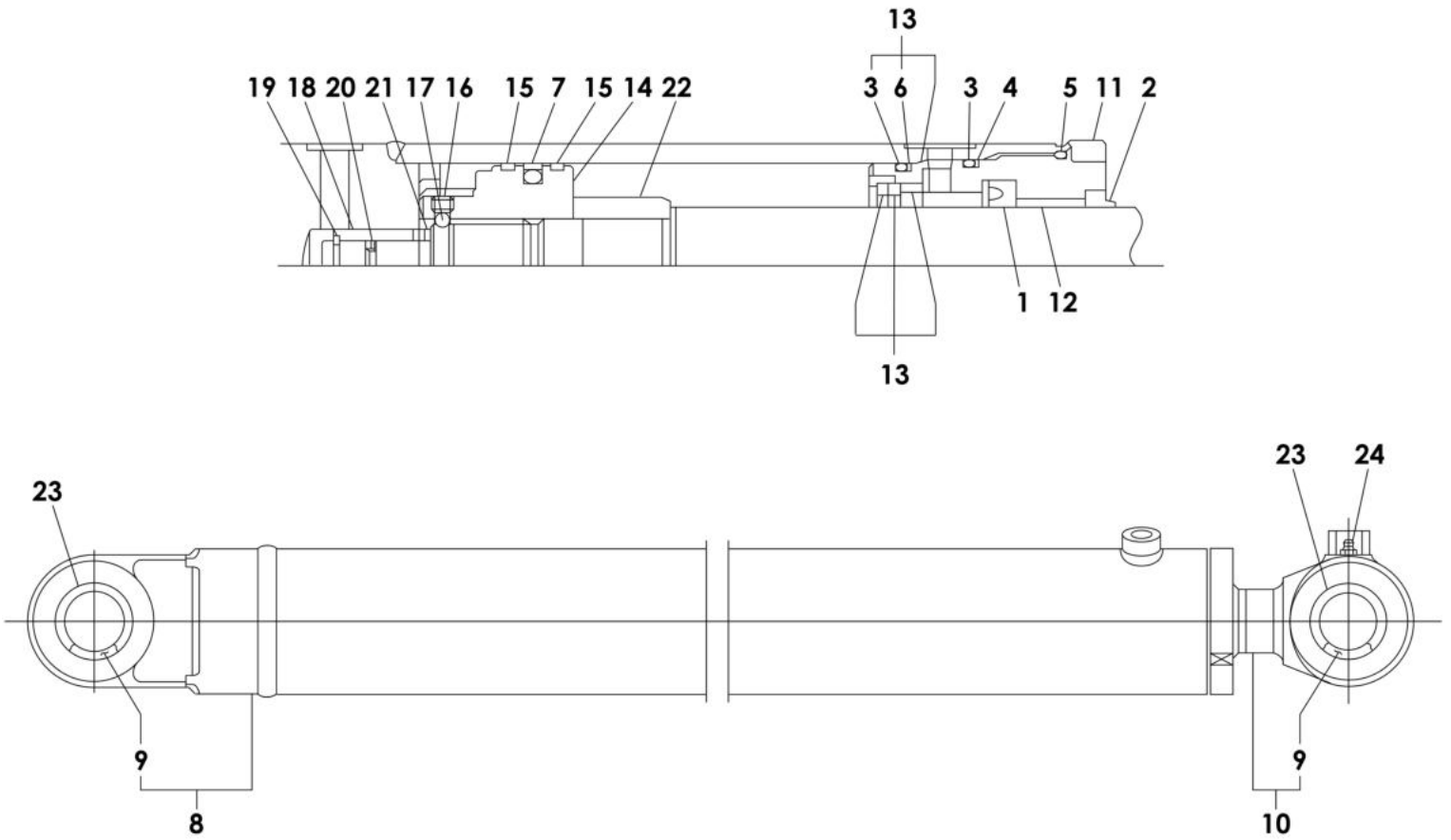
Item	Part No.	Name	Qty	Uom	Remarks	SERIAL NUMBER
0	1900112900	CYLINDER, arm	1	EA		
0-1	1900112999	KIT, seal (ARM CYLINDER)	1	EA		
1	1900047033	PACKING, rod	1	EA		
2	1900070831	SEAL, dust	1	EA		
3	1420110850	O-RING	2	EA		
4	1900087028	RING, back-up	1	EA		
5	1420110900	O-RING	1	EA		
6	1900081529	RING, back-up	1	EA		
7	1900047131	PACKING, piston	1	EA		
8	1900112998	TUBE ASSY	1	EA		
9	1900112902	BUSHING, arm cylinder	1	EA		
10	1900112997	ROD ASSY	1	EA		
11	1900112920	BUSHING	1	EA		
12	1900112903	COVER	1	EA		
13	1900112929	BUSHING	1	EA		
14	1900112908	HOLDER	1	EA		
15	1900112906	PISTON	1	EA		
16	1900087926	RING, wear	2	EA		
17	1121051010	SET-SCREW	1	EA		
18	1390020400	BALL, steel	1	EA		
19	1900081505	BEARING, cushion	1	EA		
20	1900076335	CUSHION, seal	1	EA		
21	1900047122	STOPPER	2	EA		
22	1900112914	RING, retaining	1	EA		
23	1900112916	RING, cushion	1	EA		
24	1900112910	PIPE ASSY	1	EA		
25	1900086958	PLUG	1	EA		
26	1420010260	O-RING	2	EA		
27	1900117819	BOLT	1	EA		
28	1900086917	HOLDER, pipe	1	EA		
29	1900112838	SEAL, dust	4	EA		
30	1900105228	FITTING, grease	1	EA		

HYDRAULIC DEVICE BUCKET CYLINDER



Item	Part No.	Name	Qty	Uom	Remarks	SERIAL NUMBER
0	1900113000	CYLINDER, bucket	1	EA		
0-1	1900113099	KIT, seal (BUCKET CYLINDER)	1	EA	DOESNT INCLUDE WEAR RINGS	
1	1900005812	PACKING, rod	1	EA		
2	1900073933	SEAL, dust	1	EA		
3	1420110750	O-RING	1	EA		
4	1900088727	RING, back-up	1	EA		
5	1420110800	O-RING	1	EA		
6	1900047231	PACKING, piston	1	EA		
7	1900113098	TUBE ASSY	1	EA		
8	1900010602	BUSHING (45X55X50)	2	EA		
9	1900113097	ROD ASSY	1	EA		
10	1900113003	COVER	1	EA		
11	1900113002	BUSHING	1	EA		
12	1900091406	PISTON	1	EA		
13	1900101726	RING	2	EA		
14	1121050808	SET-SCREW (M8 X 8 P/1.25)	1	EA		
15	1390020350	BALL, steel	1	EA		
16	1900113010	PIPE ASSY	1	EA		
17	1900113019	PLUG	1	EA		
18	1420010260	O-RING	2	EA		
19	1900117819	BOLT	1	EA		
20	1900086917	HOLDER, pipe	1	EA		
21	1900091433	SEAL, dust	4	EA		
22	1900105028	FITTING, grease	1	EA		
23	1900105029	FITTING, grease	1	EA		

HYDRAULIC DEVICE SWING CYLINDER

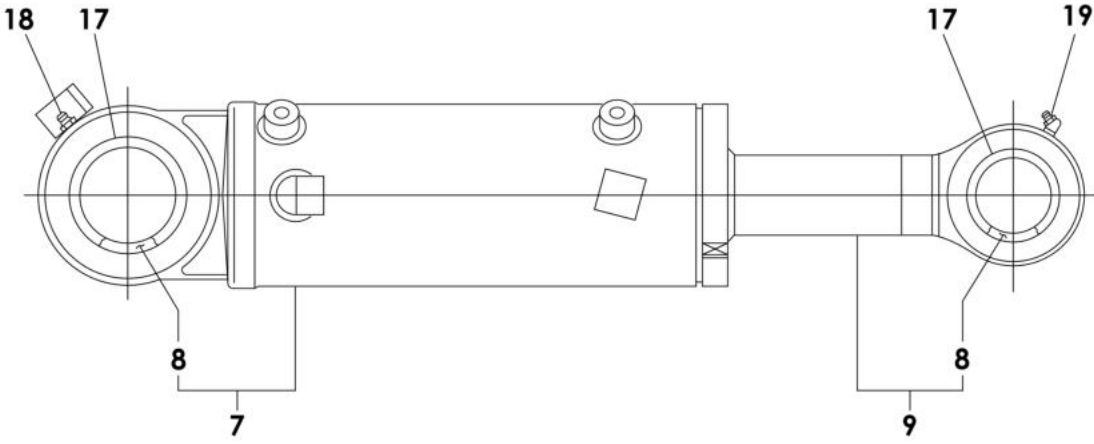
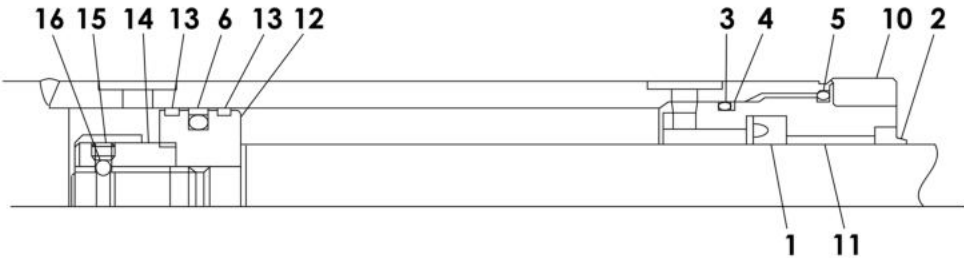


Q0H202

S=free

Item	Part No.	Name	Qty	Uom	Remarks	SERIAL NUMBER
0	1900113100	CYLINDER, swing	1	EA		
0-1	1900113199	KIT, seal (SWING CYLINDER)	1	EA		
1	1900005812	PACKING, rod	1	EA		
2	1900073933	SEAL, dust	1	EA		
3	1420110850	O-RING	2	EA		
4	1900087028	RING, back-up	1	EA		
5	1420110900	O-RING	1	EA		
6	1900081529	RING, back-up	1	EA		
7	1900047131	PACKING, piston	1	EA		
8	1900113198	TUBE ASSY	1	EA		
9	1900113119	BUSHING	2	EA		
10	1900113197	ROD ASSY	1	EA		
11	1900113103	COVER	1	EA		
12	1900113002	BUSHING	1	EA		
13	1900113155	HOLDER ASSY	1	EA		
14	1900113106	PISTON	1	EA		
15	1900087926	RING, wear	2	EA		
16	1121050808	SET-SCREW (M8 X 8 P/1.25)	1	EA		
17	1390020350	BALL, steel	1	EA		
18	1900113129	BEARING, cushion	1	EA		
19	1900047122	STOPPER	2	EA		
20	1900076335	CUSHION, seal	1	EA		
21	1900047114	RING, snap	1	EA		
22	1900113116	BEARING	1	EA		
23	1900113033	SEAL, dust	4	EA		
24	1900105028	FITTING, grease	1	EA		

HYDRAULIC DEVICE DOZER BLADE CYLINDER

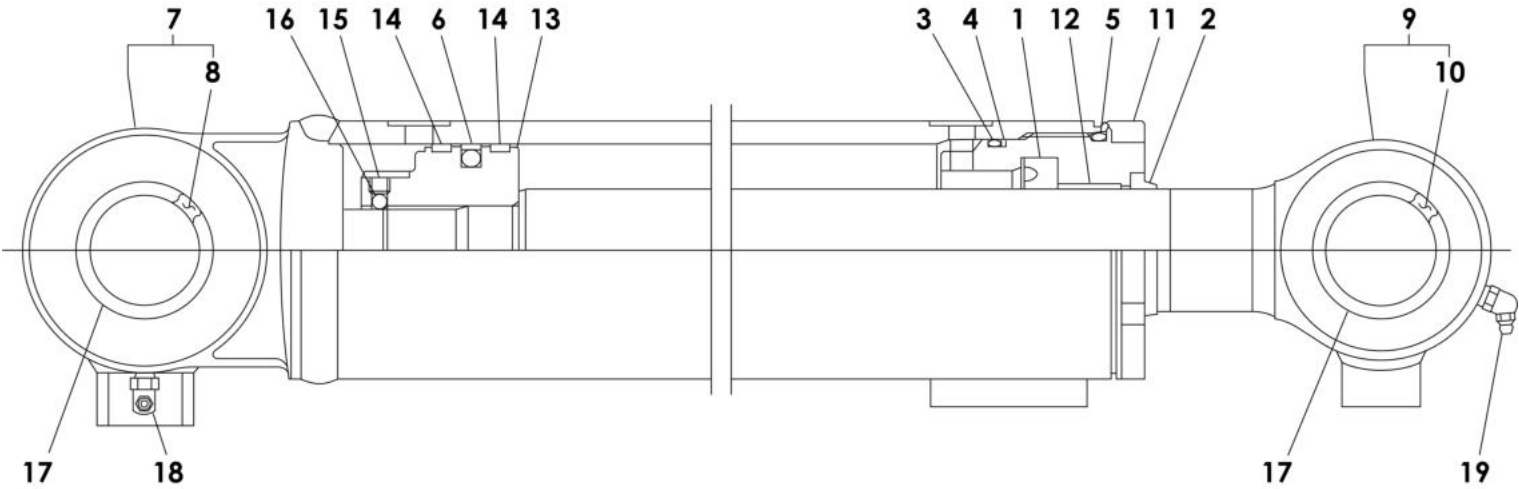


Q0H210

S=free

Item	Part No.	Name	Qty	Uom	Remarks	SERIAL NUMBER
0	1900113200	CYLINDER, dozer blade	1	EA		
0-1	1900113299	KIT, seal (DOZER BLADE CYLINDER)	1	EA		
1	1900047433	PACKING, rod	1	EA		
2	1900071532	SEAL,dust	1	EA		
3	1420111050	O-RING (G-105 1B)	1	EA		
4	1900092227	RING, back-up	1	EA		
5	1420111100	O-RING	1	EA		
6	1900047431	PACKING, piston	1	EA		
7	1900113298	TUBE ASSY	1	EA		
8	1900113219	BUSHING	2	EA		
9	1900113297	ROD ASSY	1	EA		
10	1900092203	COVER, rod	1	EA		
11	1900110202	BUSHING	1	EA		
12	1900092207	PISTON	1	EA		
13	1900091824	RING, wear	2	EA		
14	1900092209	NUT	1	EA		
15	1121051010	SET-SCREW	1	EA		
16	1390020400	BALL, steel	1	EA		
17	1900091733	SEAL, dust	4	EA		
18	1900105028	FITTING, grease	1	EA		
19	1900105228	FITTING, grease	1	EA		

HYDRAULIC DEVICE ANGLE BLADE CYLINDER

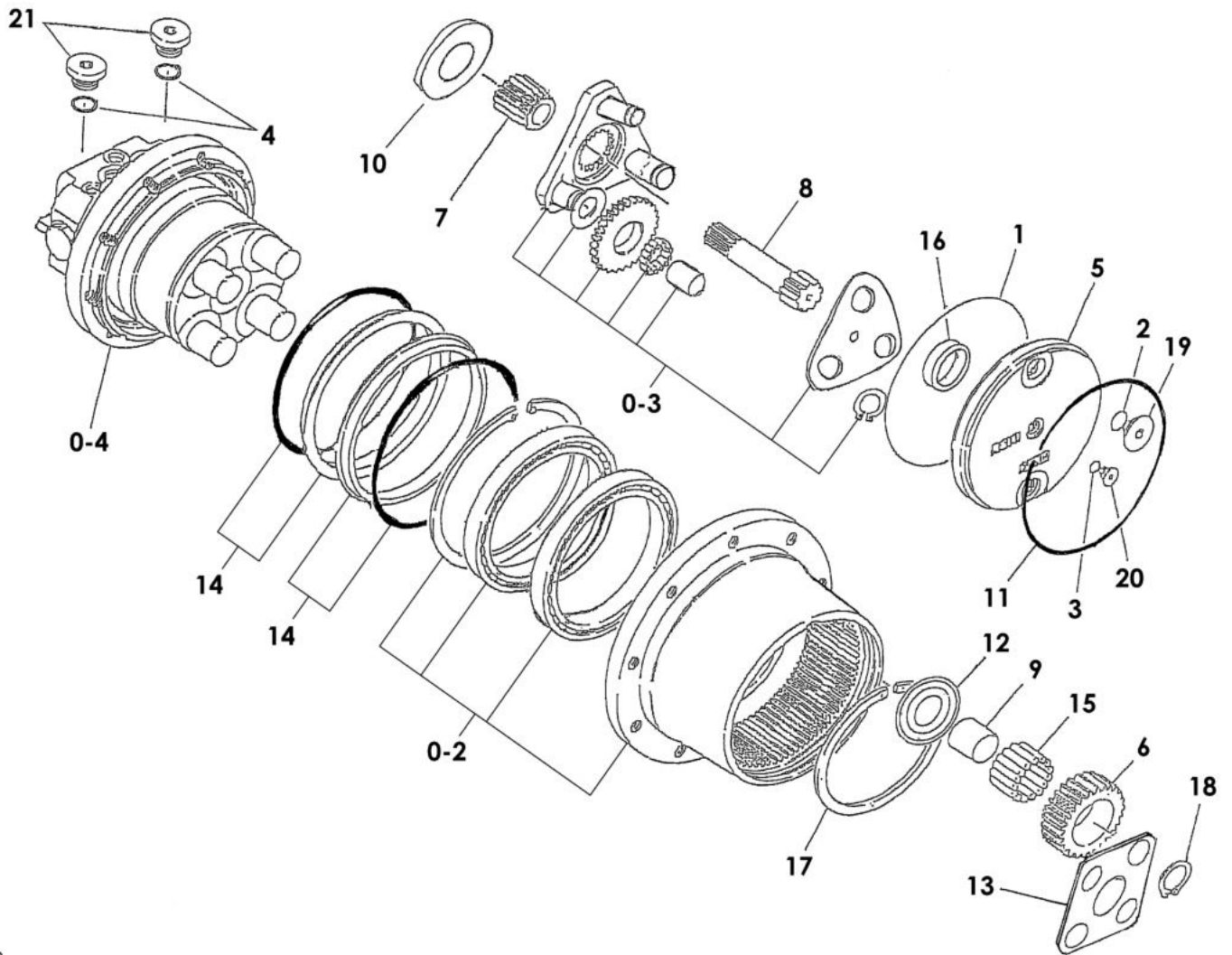


Q1H070

S=free

Item	Part No.	Name	Qty	Uom	Remarks	SERIAL NUMBER
0	1900113300	CYLINDER ASSY	1	EA	ANGLE BLADE	
0-1	1900113399	KIT, seal (ANGLE BLADE CYLINDER)	1	EA		
1	1900005612	PACKING, rod	1	EA		
2	1900073033	SEAL, dust	1	EA		
3	1420110650	O-RING (65/70 T/3.1(-+0.1))	1	EA		
4	1900088627	RING, back-up	1	EA		
5	1420110700	O-RING	1	EA		
6	1900051132	PACKING, piston	1	EA		
7	1900113398	TUBE ASSY	1	EA		
8	1900043920	BUSHING (40/50 L35)	1	EA		
9	1900113397	ROD ASSY	1	EA		
10	1900043920	BUSHING (40/50 L35)	1	EA		
11	1900102003	COVER, rod	1	EA		
12	1900102002	BUSHING	1	EA		
13	1900088606	PISTON	1	EA		
14	1900097131	RING, wear	2	EA		
15	1121050808	SET-SCREW (M8 X 8 P/1.25)	1	EA		
16	1390020350	BALL, steel	1	EA		
17	1900088633	SEAL, dust	4	EA		
18	1900105228	FITTING, grease	1	EA		
19	1900105029	FITTING, grease	1	EA		

HYDRAULIC DEVICE TRAVEL MOTOR (1/3) (reduction sec.) (126100003-126101286)

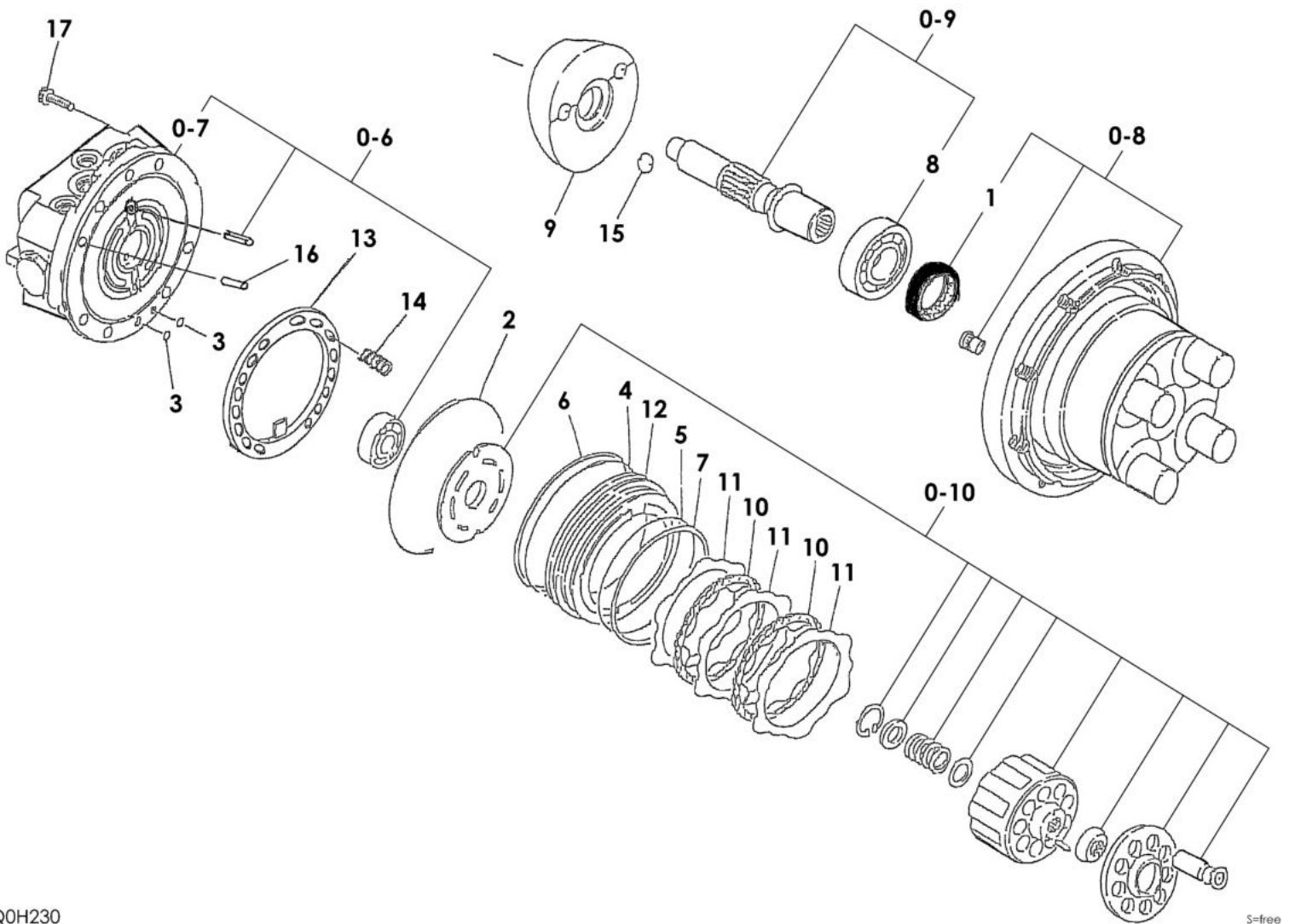


Q0H220

S=free

Item	Part No.	Name	Qty	Uom	Remarks	SERIAL NUMBER
0	1903133300	MOTOR, travel	1	EA		
0-1	1903119599	KIT, seal (DOESNT INCLUDE WEAR RINGS)	1	EA		
1	1420300264	O-RING	1	EA		
2	1420010140	O-RING	2	EA		
3	1420010080	O-RING	1	EA		
4	1420010110	O-RING	2	EA		
0-2	1903130498	SUB ASSY, body	1	EA		
0-3	1903130497	SUB ASSY, carrier	1	EA		
5	1903130404	COVER	1	EA		
6	1903130405	GEAR	4	EA		
7	1903130406	GEAR	1	EA		
8	1903130407	GEAR	1	EA		
9	1903124810	RING	4	EA		
10	1903118940	WASHER	1	EA		
11	1903119513	RING, snap	1	EA		
12	1903130411	PLATE, thrust	4	EA		
13	1903130412	PLATE, thrust	1	EA		
14	1903130413	SEAL, floating	2	EA		
15	1903124820	BEARING	136	EA		
16	1903121215	RING	1	EA		
17	1903119523	RING, snap	1	EA		
18	1220000035	RING, snap (EXTERNAL 35MM)	4	EA		
19	1903118932	PLUG	2	EA		
20	1903118933	PLUG	1	EA		
0-4	1903911200	MOTOR, hydraulic	1	EA		
21	1501750002	PLUG (FOR O-RING USE # 1420010110)	2	EA		

HYDRAULIC DEVICE TRAVEL MOTOR (2/3) (motor sec.) (126100003-126101286)

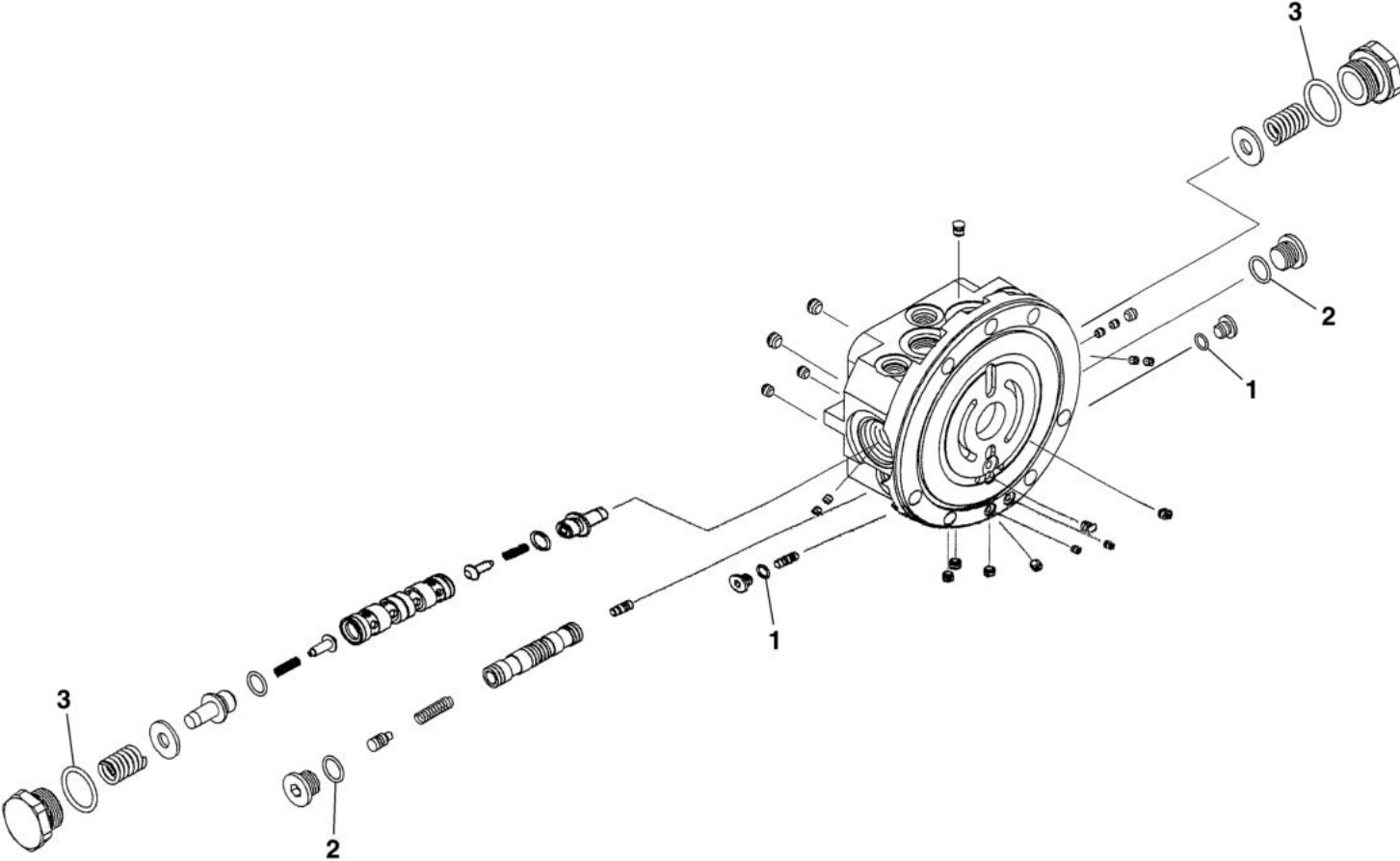


Q0H230

S=free

Item	Part No.	Name	Qty	Uom	Remarks	SERIAL NUMBER
0	1903133300	MOTOR, travel	1	EA		
0-4	1903911200	MOTOR, hydraulic	1	EA		
0-5	1903911299	KIT, seal	1	EA		
1	1903902020	SEAL	1	EA		
2	1903911202	O-RING	1	EA		
3	1420010070	O-RING	2	EA		
4	1420111250	O-RING (G-125)	1	EA		
5	1420111150	O-RING (G-150)	1	EA		
6	1421131250	RING, back-up	1	EA		
7	1421131150	RING, back-up	1	EA		
0-6	1903911298	SUB ASSY, body	1	EA		
0-7	*****	BODY ASSY	1	EA		
0-8	1903911297	SUB ASSY, body	1	EA		
0-9	1903907396	SHAFT ASSY	1	EA		
8	1300006206	BEARING	1	EA		
0-10	1903911296	SUB ASSY, cylinder barrel	1	EA		
9	1903911206	PLATE	1	EA		
10	1903904615	PLATE	2	EA		
11	1903907316	PLATE	3	EA		
12	1903907317	PISTON	1	EA		
13	1903908720	RETAINER	1	EA		
14	1903907319	SPRING	6	EA		
15	1390021000	BALL, steel	2	EA		
16	1212010815	PIN	1	EA		
17	1110021025	SCREW, socket head	7	EA		

HYDRAULIC DEVICE TRAVEL MOTOR (3/3) (valve sec.) (126100003-126101286)

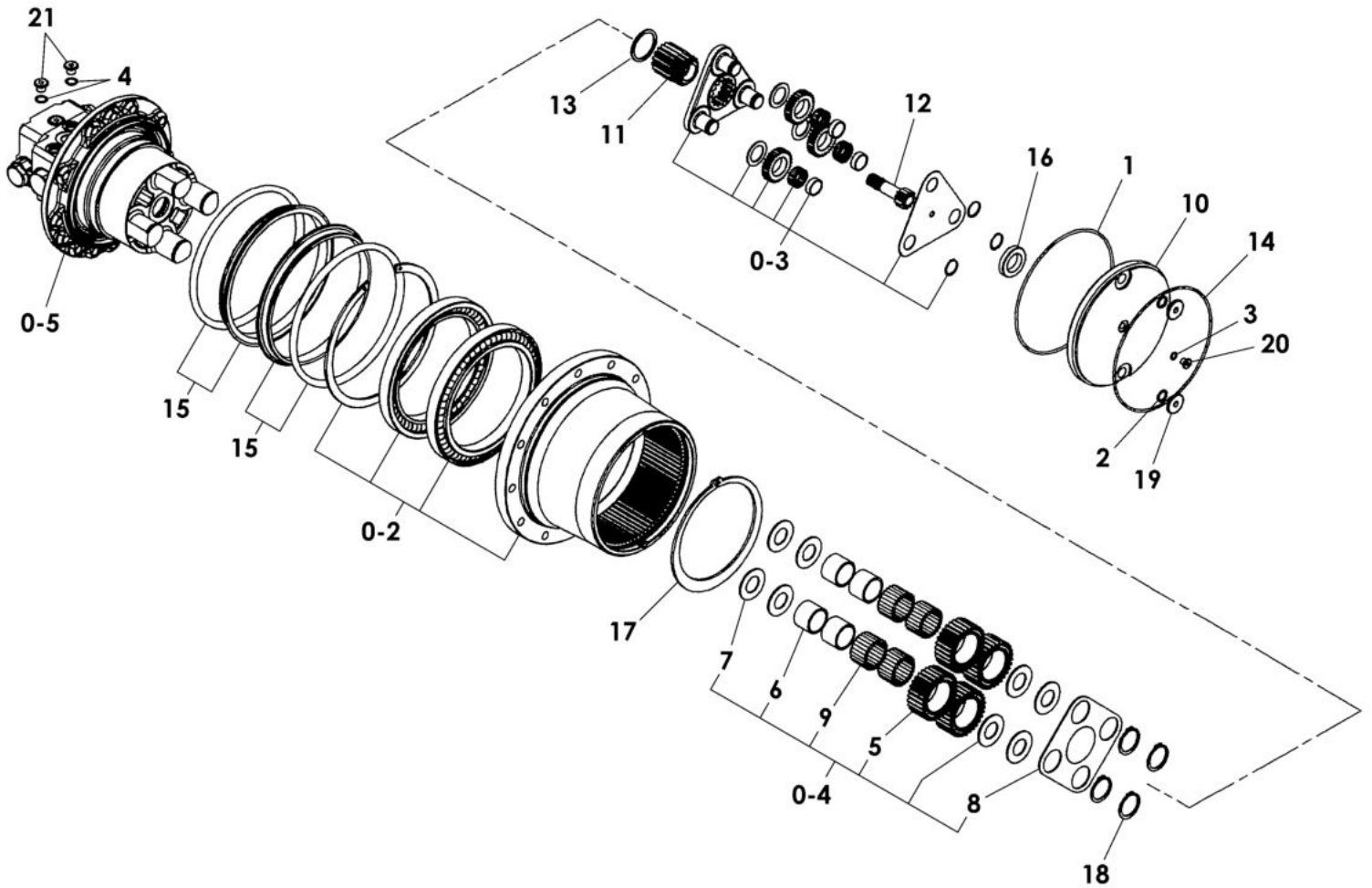


H0H180

S=free

Item	Part No.	Name	Qty	Uom	Remarks	SERIAL NUMBER
0	1903133300	MOTOR, travel	1	EA		
0-7	*****	BODY ASSY	1	EA		
0-11	1903907393	KIT, seal (DOESNT INCLUDE WEAR RINGS)	1	EA		
1	1420010080	O-RING	2	EA		
2	1420010140	O-RING	2	EA		
3	1420010250	O-RING	2	EA		

HYDRAULIC DEVICE TRAVEL MOTOR (1/3) (reduction sec.) (126101287-)

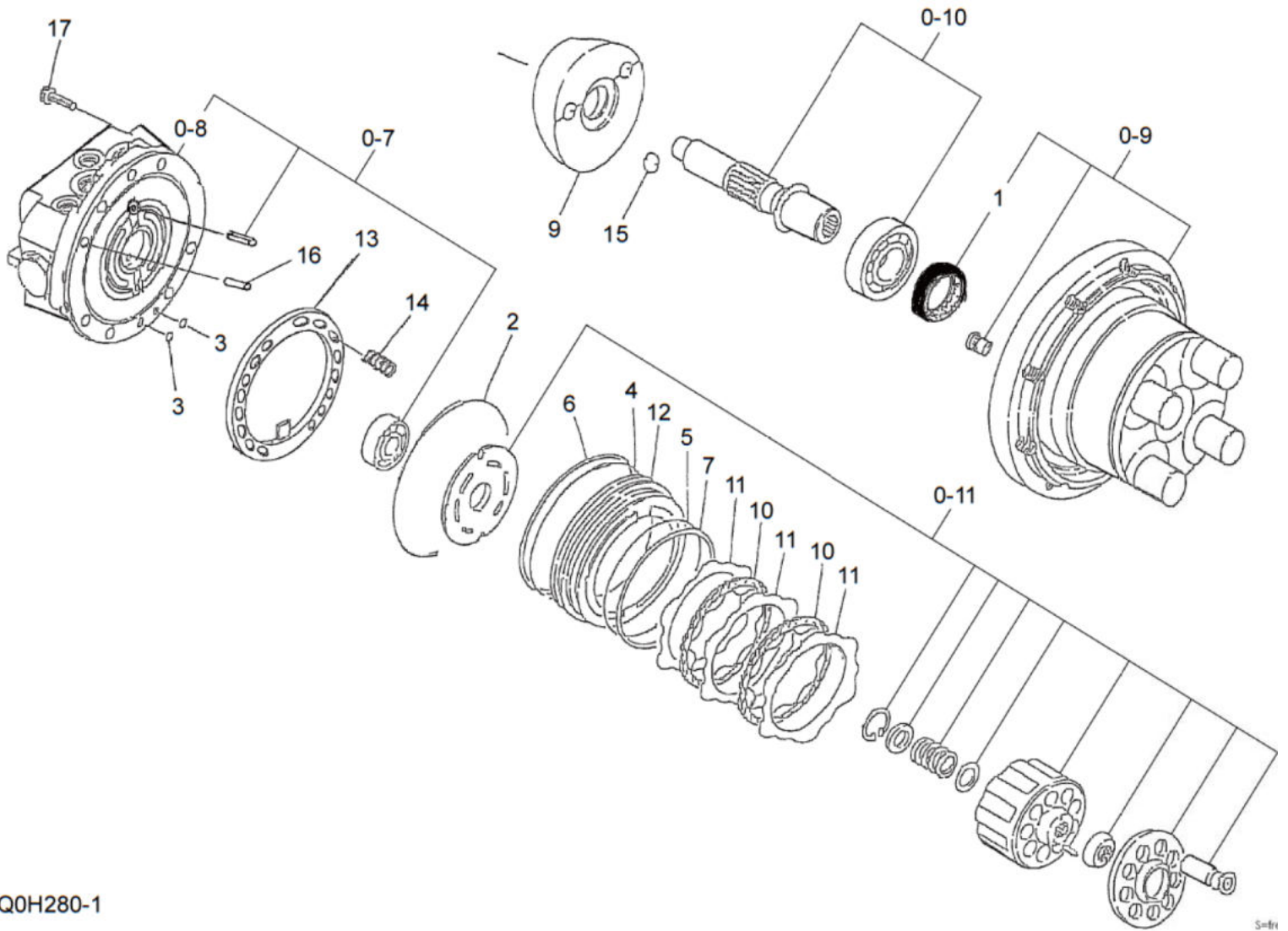


Q0H270

S=free

Item	Part No.	Name	Qty	Uom	Remarks	SERIAL NUMBER
0	1903132400	MOTOR, travel	1	EA		126101692-
0	1903133300	MOTOR, travel	1	EA		126101287~126101691
0-1	1903119599	KIT, seal (DOESNT INCLUDE WEAR RINGS)	1	EA		
1	1420300264	O-RING	1	EA		
2	1420010140	O-RING	2	EA		
3	1420010080	O-RING	1	EA		
4	1420010110	O-RING	2	EA		
0-2	1903130498	SUB ASSY, body	1	EA		
0-3	1903130497	SUB ASSY, carrier	1	EA		
0-4	1903133304	GEAR KIT	1	EA		126101287-126101691
5	1903133306	GEAR	4	EA		
6	1903133309	RING	4	EA		
7	1903133312	WASHER, thrust	4	EA		
8	1903133313	PLATE, thrust	1	EA		
9	1903133315	NEEDLE	136	EA		
10	1903130404	COVER	1	EA		
11	1903130406	GEAR	1	EA		
12	1903130407	GEAR	1	EA		
13	1903118940	WASHER	1	EA		
14	1903119513	RING, snap	1	EA		
15	1903130413	SEAL, floating	2	EA		
16	1903121215	RING	1	EA		
17	1903119523	RING, snap	1	EA		
18	1220000035	RING, snap (EXTERNAL 35MM)	4	EA		
19	1903118932	PLUG	2	EA		
20	1903118933	PLUG	1	EA		
0-5	1903912100	MOTOR, hydraulic	1	EA		126101287~126101691
0-5	1903912400	MOTOR, hydraulic	1	EA		126101692~
21	1901808206	PLUG	2	EA		126101692-

HYDRAULIC DEVICE TRAVEL MOTOR (2/3) (motor sec.) (126101287-)

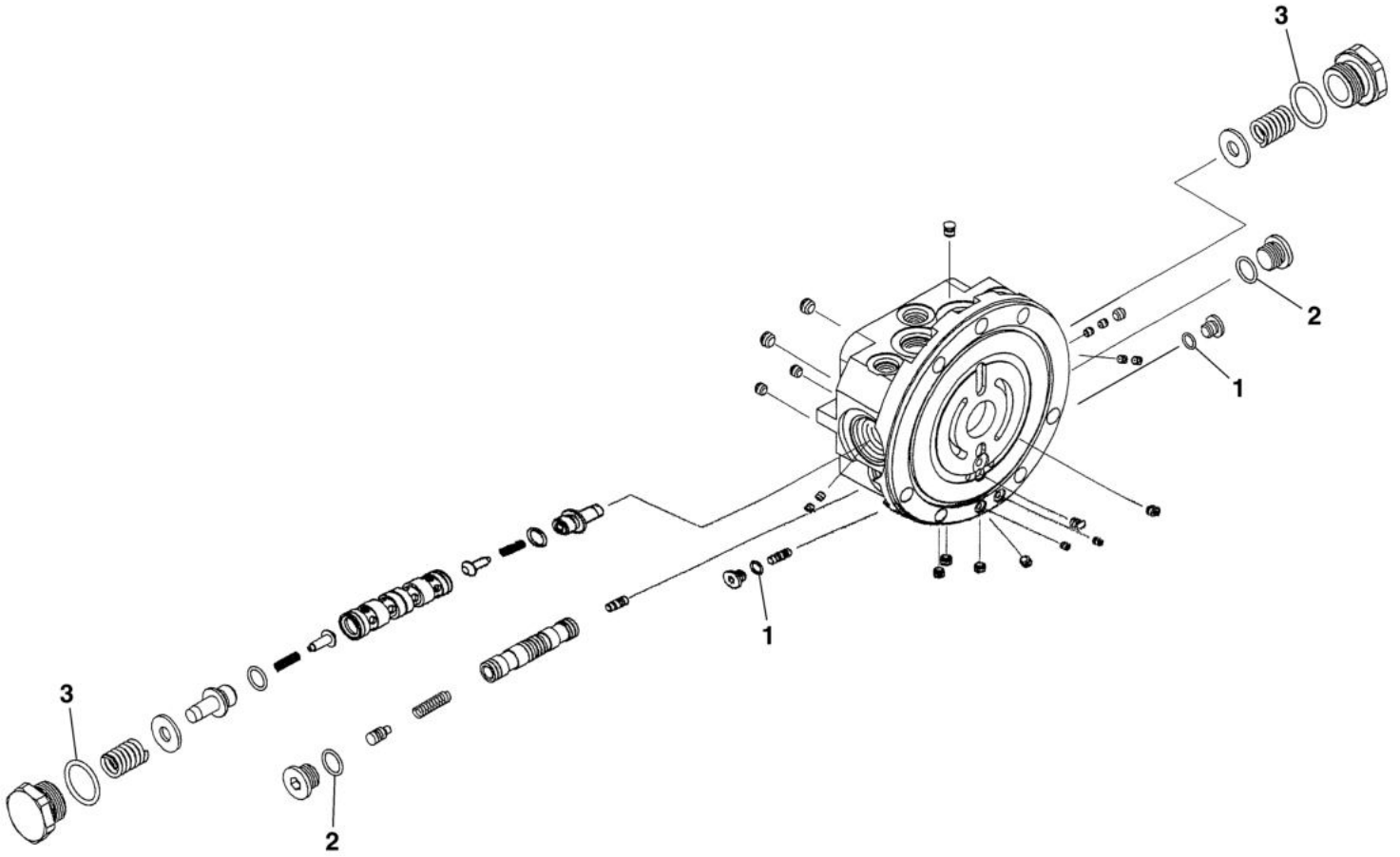


Q0H280-1

S=fr

Item	Part No.	Name	Qty	Uom	Remarks	SERIAL NUMBER
0	1903133300	MOTOR, travel	1	EA		126101287~126101691
0	1903132400	MOTOR, travel	1	EA		126101692~
0-5	1903912100	MOTOR, hydraulic	1	EA		126101287~126101691
0-5	1903912400	MOTOR, hydraulic	1	EA		126101692~
0-6	1903911299	KIT, seal	1	EA		126101287~126101691
0-6	1903912499	KIT, seal	1	EA		126101692~
1	1903902020	SEAL	1	EA		
2	1903911202	O-RING	1	EA		126101287~126101691
2	1903912402	O-RING	1	EA		126101692~
3	1420010070	O-RING	2	EA		
4	1420111250	O-RING (G-125)	1	EA		
5	1420111150	O-RING (G-150)	1	EA		
6	1421131250	RING, back-up	1	EA		
7	1421131150	RING, back-up	1	EA		
0-7	1903911298	SUB ASSY, body	1	EA		
0-8	×*****	BRACKET	1	EA	incl. (2/3)	
0-9	1903911297	SUB ASSY, body	1	EA		126101287~126101691
0-9	1903912498	SUB ASSY, body	1	EA		126101692~
0-10	1903907396	SHAFT ASSY	1	EA		
0-11	1903911296	SUB ASSY, cylinder barrel	1	EA		
9	1903912106	PLATE	1	EA		126101287~126101691
9	1903912401	PLATE	1	EA		126101692~
10	1903904615	PLATE	2	EA		
11	1903907316	PLATE	3	EA		
12	1903907317	PISTON	1	EA		
13	1903908720	RETAINER	1	EA		
14	1903907319	SPRING	6	EA		
15	1390021000	BALL, steel	2	EA		
16	1212010815	PIN	1	EA		
17	1110021025	SCREW, socket head	7	EA		

HYDRAULIC DEVICE TRAVEL MOTOR (3/3) (valve sec.) (126101287-)

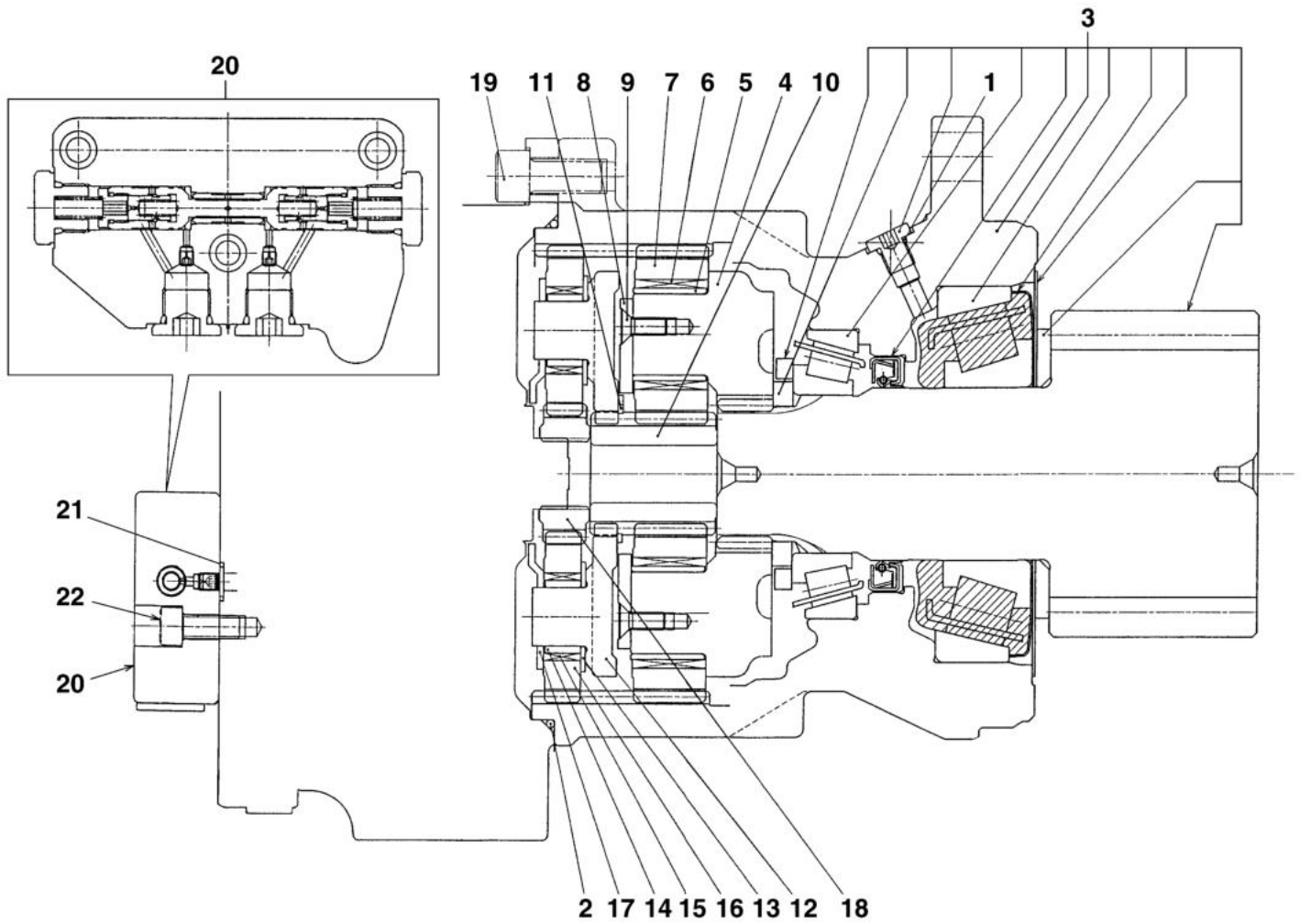


H0H180

S=free

Item	Part No.	Name	Qty	Uom	Remarks	SERIAL NUMBER
0	1903132400	MOTOR, travel	1	EA		126101692~
0	1903133300	MOTOR, travel	1	EA		126101287~126101691
0-8	*****	BODY ASSY	1	EA		
0-12	1903907393	KIT, seal (DOESNT INCLUDE WEAR RINGS)	1	EA		
1	1420010080	O-RING	2	EA		
2	1420010140	O-RING	2	EA		
3	1420010250	O-RING	2	EA		

HYDRAULIC DEVICE SLEW MOTOR (1/2) (reduction sec.)



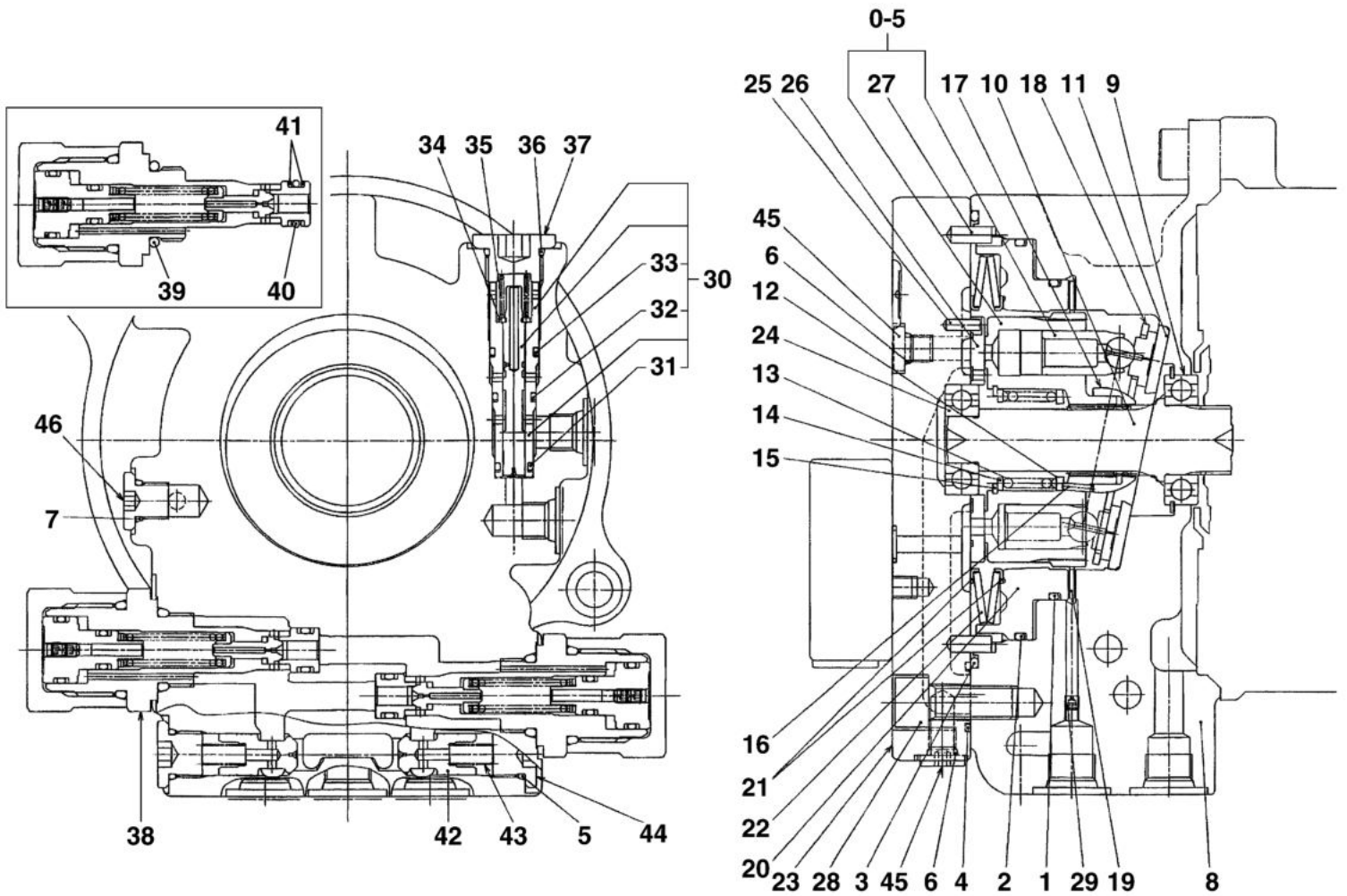
K3H263

S-free

675
MACHINE MODEL: TB260

Item	Part No.	Name	Qty	Uom	Remarks	SERIAL NUMBER
0	1903130500	MOTOR, slew	1	EA		
0-1	*****	GEAR, REDUCTION	1	EA		
0-2	1912907799	KIT, seal (DOESNT INCLUDE WEAR RINGS)	1	EA		
1	1420010080	O-RING	1	EA		
2	1420300260	O-RING	1	EA		
3	1912911998	HOUSING ASSY	1	EA		
4	1912907011	HOLDER	1	EA		
5	1912905415	LACE, inner	4	EA		
6	1912905416	BEARING	4	EA		
7	1912904517	GEAR	4	EA		
8	1912907015	PLATE, thrust	1	EA		
9	1120800616	SCREW	4	EA		
10	1912906009	GEAR	1	EA		
11	1220000042	RING, snap	1	EA		
12	1912907019	HOLDER	1	EA		
13	1912907020	WASHER, thrust	3	EA		
14	1912900720	RACE, inner	3	EA		
15	1912905422	CAGE & ROLLER	3	EA		
16	1912907023	GEAR	3	EA		
17	1912907097	PLATE, thrust	1	EA		
18	1912907025	GEAR	1	EA		
19	1903128003	BOLT	2	EA		
20	1903119920	VALVE ASSY	1	EA		
21	1420010100	O-RING (PUMP)	3	EA		
22	1110050820	SCREW, cap (10TM8 X 20 P/1.25)	3	EA		

HYDRAULIC DEVICE SLEW MOTOR (2/2) (motor sec.)



H0H200

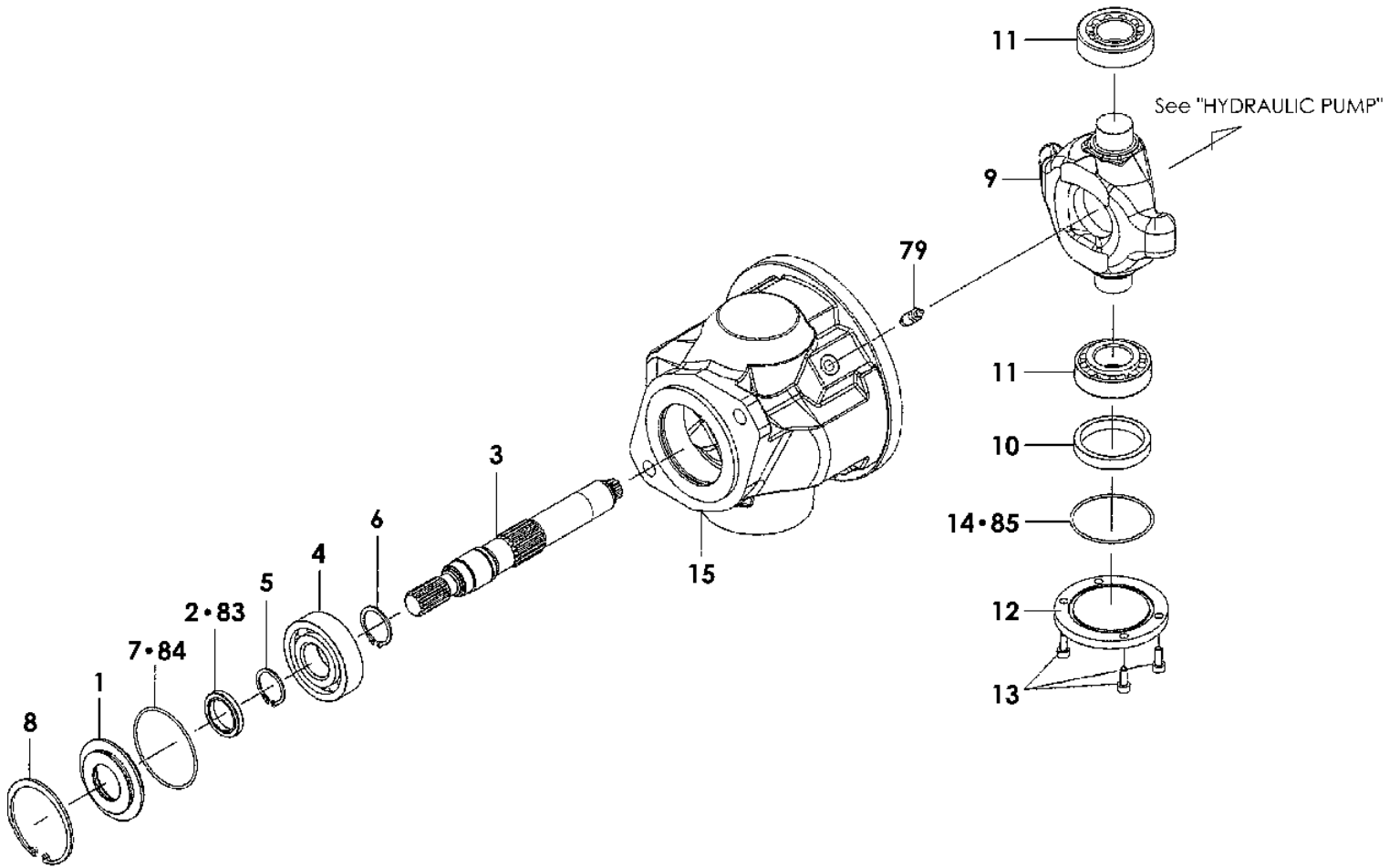
S=FREE

Item	Part No.	Name	Qty	Uom	Remarks	SERIAL NUMBER
0	1903130500	MOTOR, slew	1	EA		
0-3	*****	MOTOR, PISTON	1	EA		
0-4	1903911199	KIT, seal	1	EA		
1	1420111100	O-RING	1	EA		
2	1420111350	O-RING	1	EA		
3	1420310259	O-RING	1	EA		
4	1420010210	O-RING	2	EA		
5	1420010140	O-RING	2	EA		
6	1420010080	O-RING	2	EA		
7	1420010110	O-RING	1	EA		
8	1903911101	CASE	1	EA		
9	1903904502	BEARING, ball	1	EA		
10	1903904503	SHAFT	1	EA		
11	1903904504	PLATE, thrust	1	EA		
0-5	1903120698	BLOCK, cylinder	1	EA		
12	1903106808	COLLAR	1	EA		
13	1903904507	SPRING	1	EA		
14	1903904508	WASHER	1	EA		
15	1221000037	RING, snap	1	EA		
16	1903904510	PIN	3	EA		
17	1903106813	HOLDER, retainer	1	EA		
18	1903904511	PLATE	1	EA		
19	1903904514	DISK	1	EA		
20	1903904515	PISTON	1	EA		
21	1903904518	SPRING SHEET	2	EA		
22	1903904519	SPRING	1	EA		
23	1903904521	COVER	1	EA		
24	1903107927	BEARING	1	EA		
25	1903005224	PIN	1	EA		
26	1903904524	PLATE, valve	1	EA		
27	1903904525	PIN	2	EA		
28	1110041230	SCREW, cap	5	EA		
29	1901802713	ORIFICE	1	EA		
30	1901809200	VALVE ASSY	1	EA		
31	1420010101	O-RING (P-10A 90B)	1	EA		
32	1420010120	O-RING	1	EA		
33	1420010140	O-RING	1	EA		
34	1141110008	WASHER	1	EA		

This page intentionally left blank

Item	Part No.	Name	Qty	Uom	Remarks	SERIAL NUMBER
35	1903904535	SPRING	1	EA		
36	1420010180	O-RING	1	EA		
37	1903904537	PLUG	1	EA		
38	1903908298	VALVE	2	EA		
39	1420010240	O-RING	1	EA		
40	1420010120	O-RING	1	EA		
41	1421030120	RING, back-up	2	EA		
42	1903904539	VALVE, check	2	EA		
43	1903904540	SPRING	2	EA		
44	1903106843	PLUG	2	EA		
45	1912905325	PLUG	2	EA		
46	1903108655	PLUG	1	EA		

HYDRAULIC DEVICE HYDRAULIC PUMP (1/3) 1

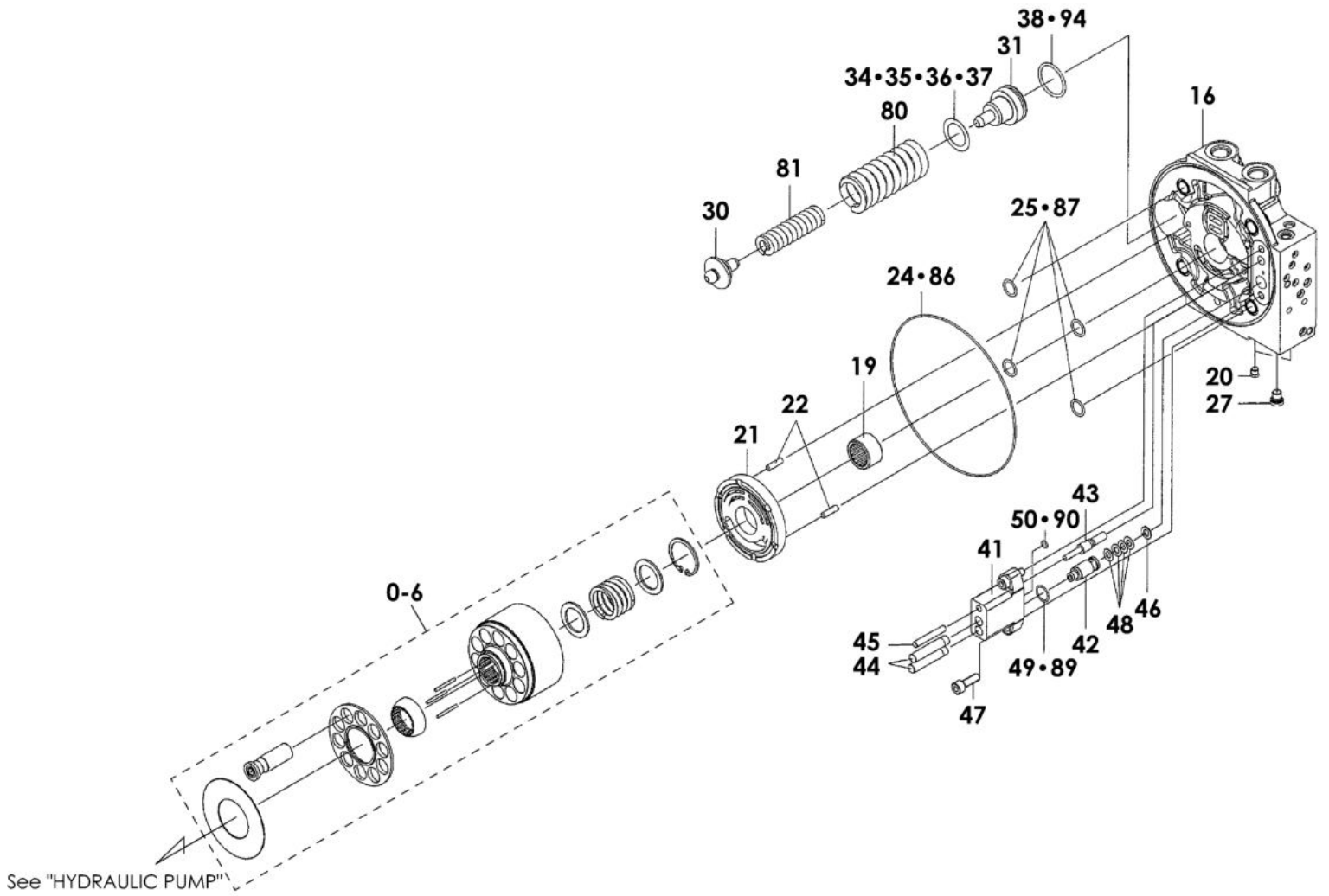


Q0H240a

S-free

Item	Part No.	Name	Qty	Uom	Remarks	SERIAL NUMBER
1	*****	CASE, seal	1	EA		
2	1902913302	SEAL, oil	1	EA		
3	1902903401	SHAFT	1	EA		
4	1902903403	BEARING	1	EA		
5	1220000028	RING, snap	1	EA		
6	1220000030	RING, snap	1	EA		
7	1420310147	O-RING	1	EA		
8	1221000072	RING, snap	1	EA		
9	*****	HANGER	1	EA		
10	*****	PIECE, distance	1	EA		
11	*****	BEARING	2	EA		
12	1902903501	PLATE	1	EA		
13	1110020616	SCREW, cap	4	EA		
14	1420310144	O-RING	1	EA		
15	*****	HOUSING	1	EA		
79	1902017011	VALVE	1	EA		
83	1902913302	SEAL, oil	1	EA		
84	1420310147	O-RING	1	EA		
85	1420310144	O-RING	1	EA		

HYDRAULIC DEVICE HYDRAULIC PUMP (2/3) 2



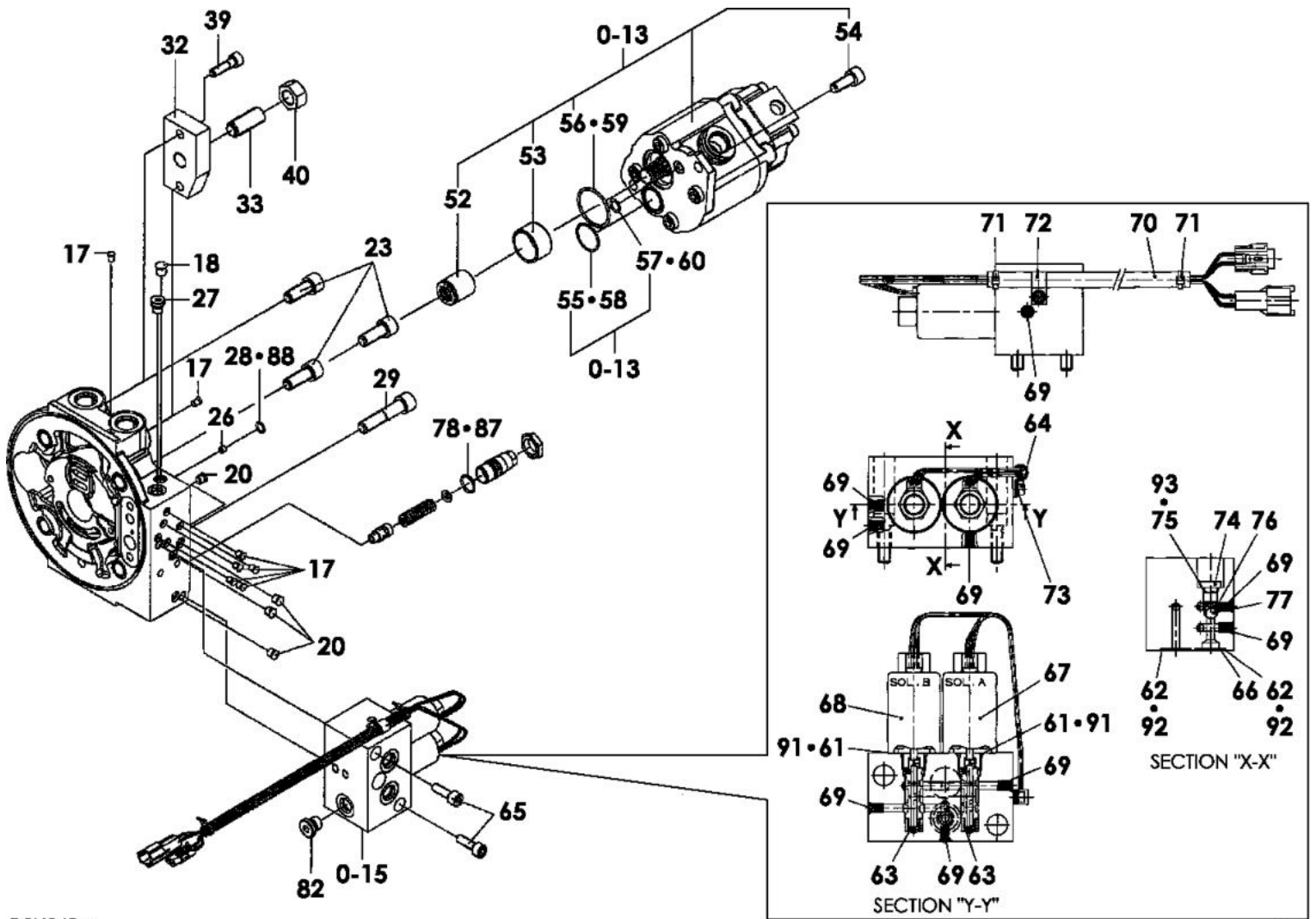
See "HYDRAULIC PUMP"

Q0H240b

S=free

Item	Part No.	Name	Qty	Uom	Remarks	SERIAL NUMBER
0-6	1902906800	ROTARY ASSY	1	EA		
16	*****	COVER	1	EA		
19	*****	BEARING	1	EA		
20	*****	UNIT ASSY, relay	4	EA		
21	1902906902	PLATE	1	EA		
22	1212000620	PIN	2	EA		
24	1420310168	O-RING	1	EA		
25	1902903602	O-RING	4	EA		
27	1902905703	PLUG	2	EA		
36	1902903510	SHIM (t=1.0)	1	EA	t=1.0mm	
30	1902903502	HOLDER, spring	1	EA		
31	1902913501	HOLDER, spring	1	EA		
34	1902911334	SHIM (t=0.3)	1	EA	t=0.3mm	
35	1902911344	SHIM (t=0.5)	1	EA	t=0.5mm	
37	1902903511	SHIM (t=2.0)	1	EA	t=2.0mm	
38	1420010340	O-RING (P-34 1B)	1	EA		
41	1902913601	CYLINDER	1	EA		
42	1902915102	PISTON	1	EA		
43	1902915111	PISTON	1	EA		
44	1902907103	PIN	2	EA		
45	1902915004	PIN	1	EA		
46	1902907105	HOLDER, spring	1	EA		
47	1110020825	SCREW, socket head	2	EA		
48	1902903608	WASHER, conical	4	EA		
49	1420310016	O-RING	1	EA		
50	1420310009	O-RING	1	EA		
80	1902029813	SPRING	1	EA		
81	1902026601	SPRING	1	EA		
86	1420310168	O-RING	1	EA		
87	1902903602	O-RING	5	EA		
89	1420310016	O-RING	1	EA		
90	1420310009	O-RING	1	EA		
94	1420010340	O-RING (P-34 1B)	1	EA		

HYDRAULIC DEVICE HYDRAULIC PUMP (3/3) 3



Q0H240c

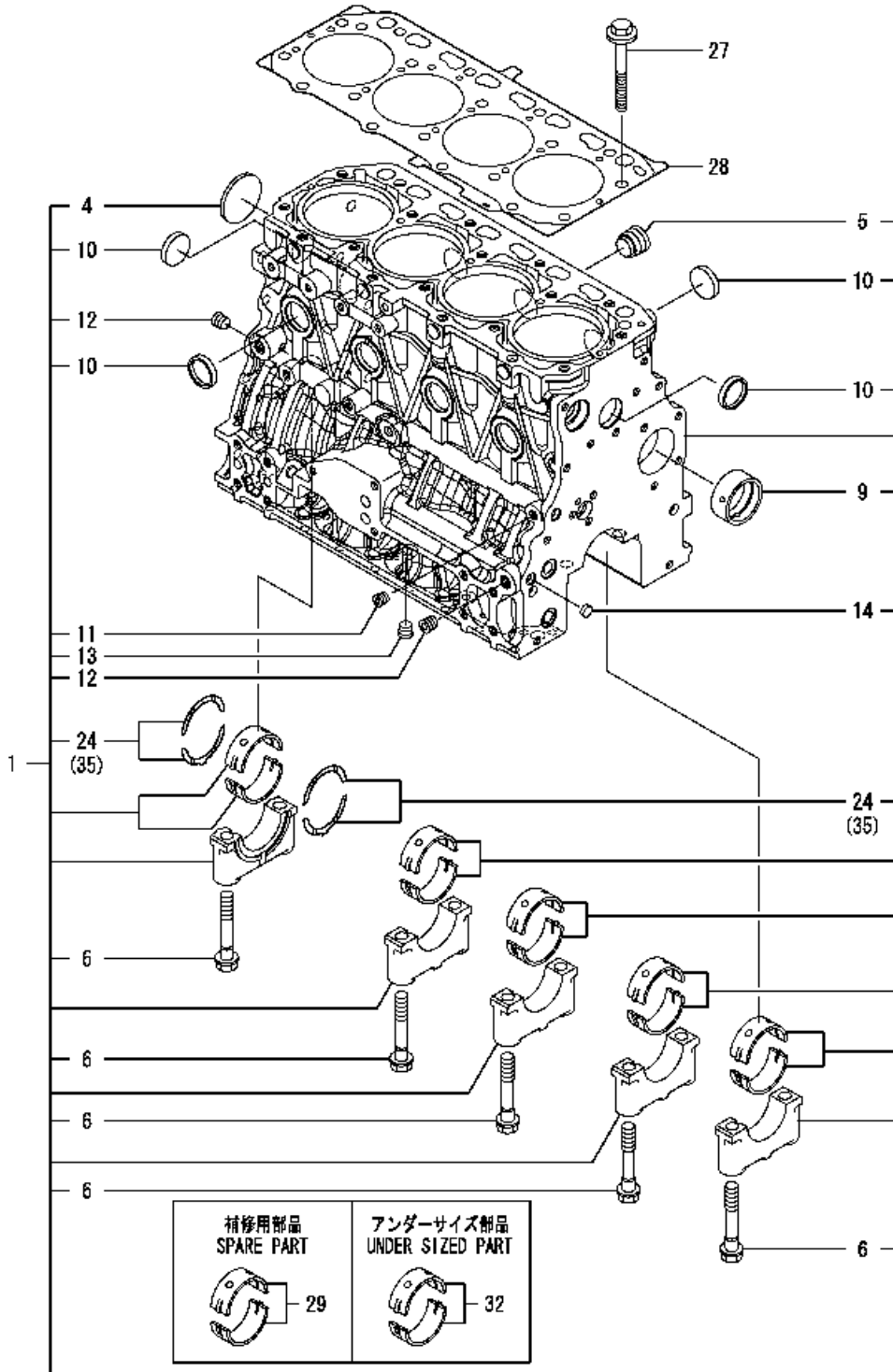
S=free

Item	Part No.	Name	Qty	Uom	Remarks	SERIAL NUMBER
17	*****	UNIT ASSY, relay	7	EA		
18	*****	PIN	1	EA		
20	*****	UNIT ASSY, relay	4	EA		
23	1110021230	SCREW, cap (SOCKET HEAD)	3	EA		
26	1902903603	ORIFICE	2	EA		
27	1902905703	PLUG	2	EA		
28	1420010080	O-RING	1	EA		
29	1110021255	SCREW, cap	1	EA		
32	1902909203	COVER	1	EA		
33	1902903505	SCREW	1	EA		
39	1110050830	BOLT (10T8 X 30 P/1.25)	2	EA		
40	1130050016	NUT	1	EA		
0-13	1902915201	PUMP ASSY, gear	1	EA		
52	1902907212	COUPLING	1	EA		
53	1902907213	BUSHING	1	EA		
54	1110021025	SCREW, socket head	2	EA		
55	1420310023	O-RING	1	EA		
56	1420310128	O-RING	1	EA		
57	1420010100	O-RING (PUMP)	1	EA		
58	1420310023	O-RING	1	EA		
59	1420310128	O-RING	1	EA		
60	1420010100	O-RING (PUMP)	1	EA		
0-15	1902912500	VALVE ASSY	1	EA		
0-16	1902911698	SUB ASSY, body	1	EA		
61	1420010140	O-RING	2	EA		
62	1420300017	O-RING	2	EA		
63	1902911606	SPRING	2	EA		
64	1110020410	SCREW, socket head	1	EA		
65	1110020825	SCREW, socket head	2	EA		
66	1902907309	ELEMENT, filter	1	EA		
67	1902911610	SOLENOID	1	EA		
68	1902911611	SOLENOID	1	EA		
69	1902900727	PLUG	9	EA		
70	1902912513	COVER	1	EA		
71	1652200003	BAND	2	EA		
72	1902907315	CLAMP	1	EA		
73	1141110004	WASHER	1	EA		
74	1901729103	PLUG	1	EA		

This page intentionally left blank

Item	Part No.	Name	Qty	Uom	Remarks	SERIAL NUMBER
75	1420010080	O-RING	1	EA		
76	1901729105	SPRING	1	EA		
77	1390010450	BALL, steel	1	EA		
78	1902903602	O-RING	1	EA		
82	1901034371	PLUG ASSY	1	EA		
87	1902903602	O-RING	5	EA		
88	1420010080	O-RING	3	EA		
91	1420010140	O-RING	2	EA		
92	1420300017	O-RING	2	EA		
93	1420010080	O-RING	1	EA		

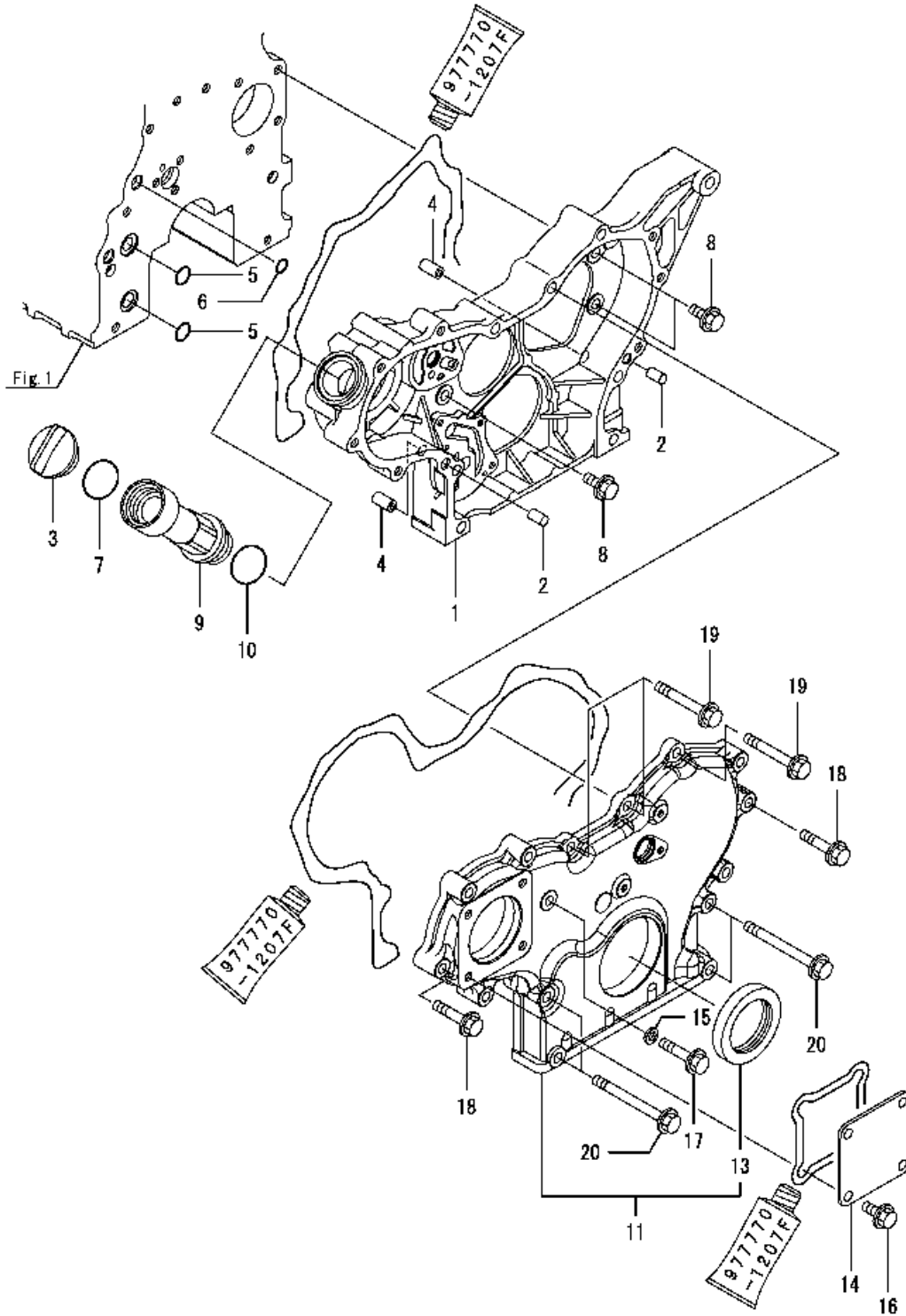
CYLINDER BLOCK ASSY Fig.1 CYLINDER BLOCK



OCD71-077700	1. CYLINDER BLOCK		
4TNV86CT-PTB	1: 2012, 12 2:	3:	4:

Item	Part No.	Name	Qty	Uom	Remarks	SERIAL NUMBER
1	Y129C01-01560	BLOCK ASSY, cylinder	1	EA		
4	Y129001-01250	PLUG (50 N)	1	EA		
5	Y171051-01921	PLUG	1	EA		
6	Y129150-02020	BOLT, metal cap	10	EA		
9	Y129795-02412	BUSH, camshaft	1	EA		
10	Y27243-300000	PLUG (30)	8	EA		
11	1501820001	PLUG	1	EA		
12	Y119600-01050	PLUG (PT1/4)	2	EA		
13	Y119600-01050	PLUG (PT1/4)	1	EA		
14	Y27241-120000	PLUG (12)	1	EA		
24	Y129150-02931	BEARING ASSY, thrust	2	EA		
27	Y129150-01200	BOLT, cylinder head	18	EA		
28	Y129C01-01331	GASKET, cylinder head	1	EA		
29	Y129001-02931	BEARING ASSY, main	5	EA	Spare parts.	
32	Y129150-02871	BEARING ASSY, main	5	EA	Under-sized(U.S.=0.25)part	
35	Y129150-02941	BEARING, thrust (0.25)	1	EA	Over-sized(O.S.=0.25)part.	

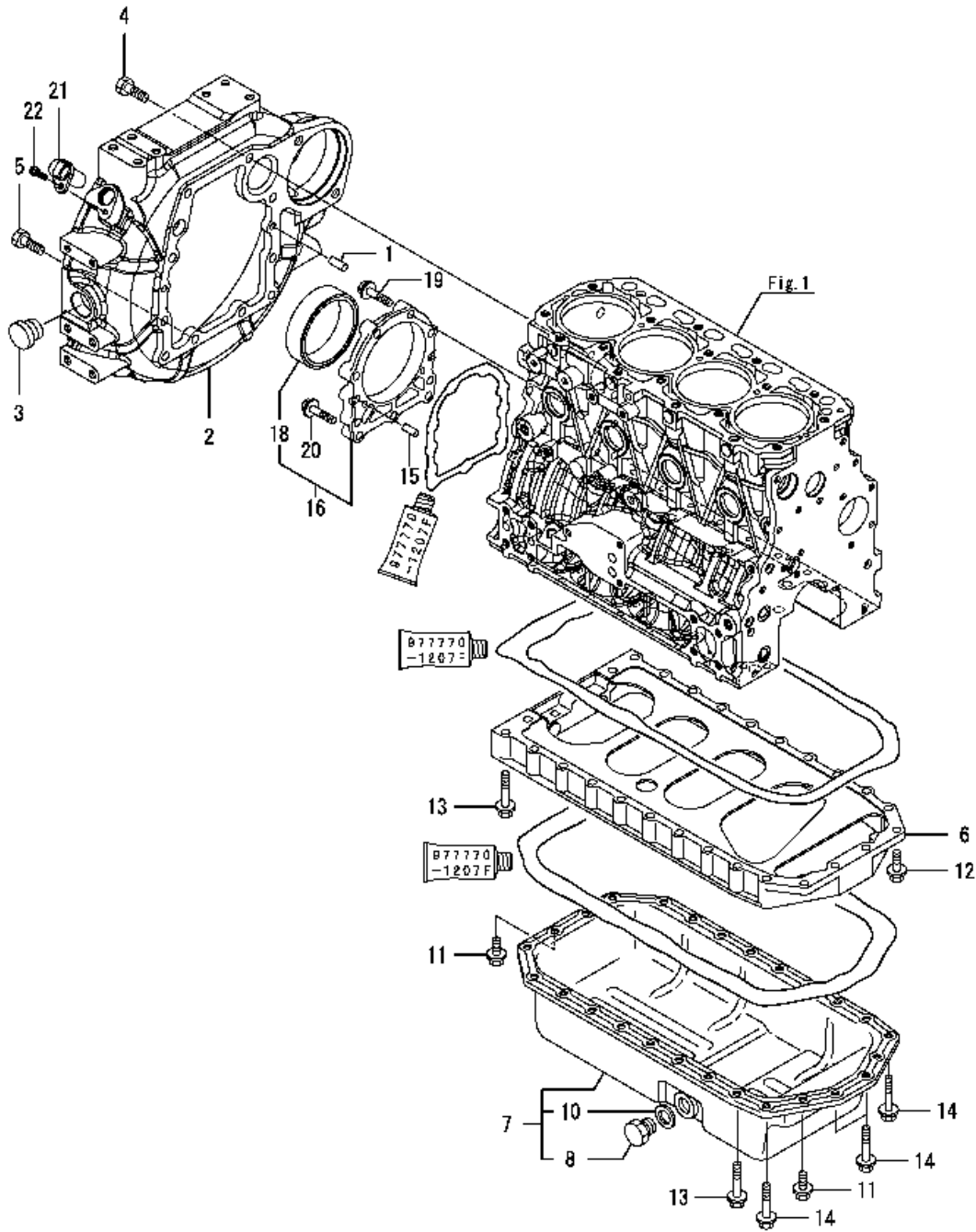
GEAR HOUSING Fig.2 GEAR HOUSING



0CD11-@17700	2. GEAR HOUSING		
4TNV06CT-PTB	1: 2012, 12 2:	3:	4:

Item	Part No.	Name	Qty	Uom	Remarks	SERIAL NUMBER
1	Y129A23-01500	CASE, gear	1	EA		
2	Y129100-01580	PIN, parallel (8X16)	2	EA		
3	Y124160-01751	CAP, filler	1	EA		
4	Y129795-01950	PIPE, dowel (L=18)	2	EA		
5	Y119609-32040	O-RING (P16)	2	EA		
6	Y119624-32040	O-RING P 12.0	1	EA		
7	Y121420-01760	O-RING	1	EA		
8	Y26106-080162	BOLT, plated (M8X16)	3	EA		
9	Y121027-11743	PIPE	1	EA		
10	Y121420-01760	O-RING	1	EA		
11	Y129A00-01550	COVER ASSY, gearcase	1	EA		
13	Y119934-01800	SEAL, oil	1	EA		
14	Y124240-01871	COVER, pump	1	EA		
15	Y22190-080002	WASHER, seal (8S)	1	EA		
16	Y26106-080162	BOLT, plated (M8X16)	4	EA		
17	Y26106-080352	BOLT, plated (M8X35)	1	EA		
18	Y26106-080402	BOLT, plated (M8X40)	7	EA		
19	Y26106-080602	BOLT, plated (M8X60)	3	EA		
20	Y26106-080852	BOLT (8X85)	4	EA		

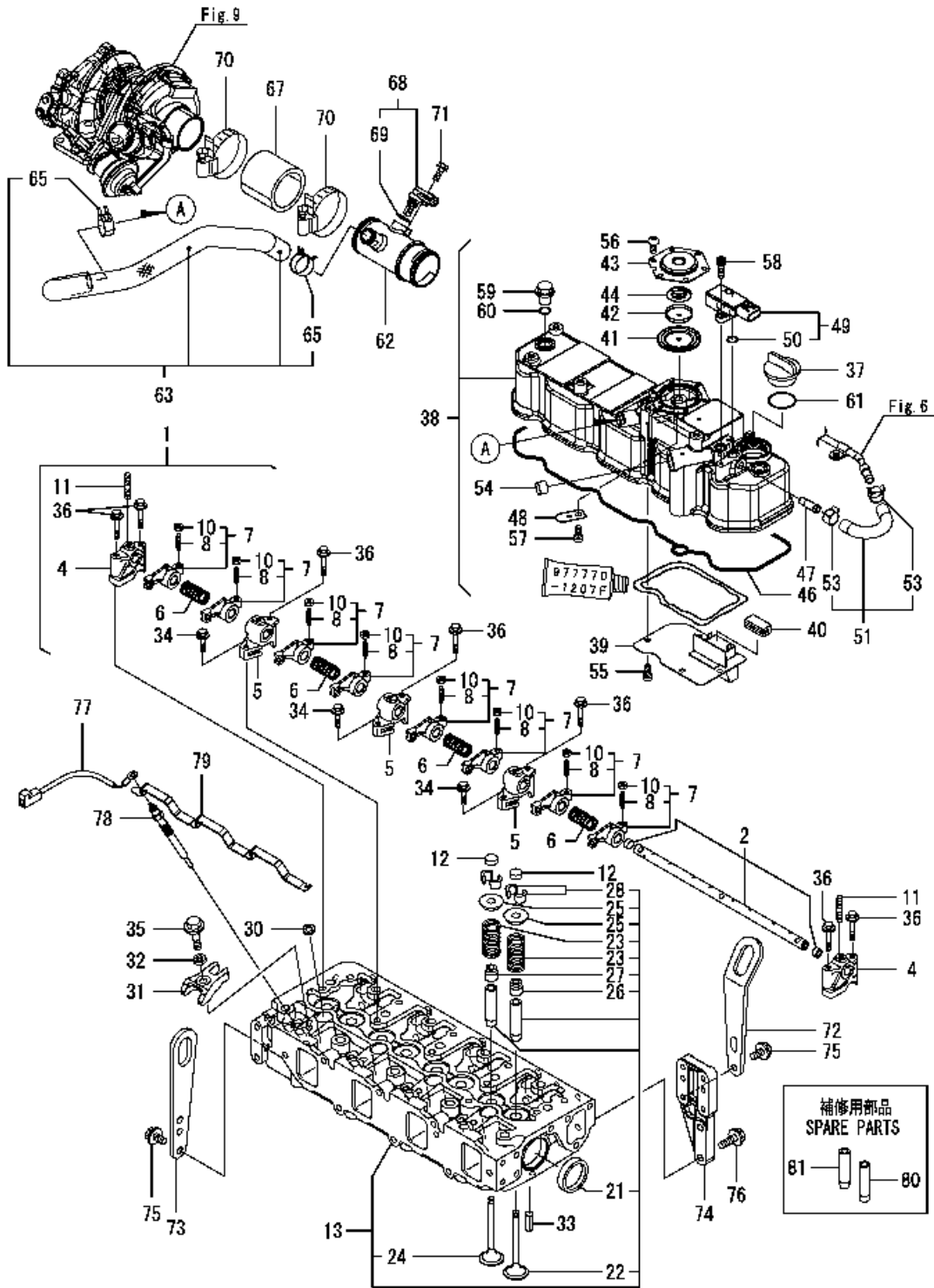
FLYWHEEL HOUSING & OIL SUMP Fig.3 FLYWHEEL HOUSING & OIL SUMP



0CD11-@17700	3. FLYWHEEL HOUSING & OIL SUMP			
4TNV06CT-PTB	1: 2012, 12	2:	3:	4:

Item	Part No.	Name	Qty	Uom	Remarks	SERIAL NUMBER
1	Y129100-01580	PIN, parallel (8X16)	2	EA		
2	Y129A00-01602	HOUSING, flywheel	1	EA		
3	Y119620-01750	CAP	1	EA		
4	1100051025	BOLT (10TM10 X 25 P/1.5)	6	EA		
5	Y26206-100302	BOLT, plated (M10X30)	4	EA		
6	Y129400-01730	SPACER, oil sump	1	EA		
7	Y129400-01770	SUMP ASSY, lube oil	1	EA		
8	Y119640-01640	PLUG, drain	1	EA		
10	Y22190-220002	WASHER, seal (22)	1	EA		
11	Y26106-080162	BOLT, plated (M8X16)	4	EA		
12	Y26106-080252	BOLT, plated (M8X25)	2	EA		
13	Y26106-080452	BOLT, plated (M8X45)	20	EA		
14	Y26106-080502	BOLT, plated (M8X50)	4	EA		
15	Y129100-01580	PIN, parallel (8X16)	2	EA		
16	Y729402-01650	SEAL, oil	1	EA		
18	Y129120-01780	SEAL, oil	1	EA		
19	Y129486-01670	BOLT, plated (M8X30)	6	EA		
20	Y26106-080352	BOLT, plated (M8X35)	3	EA		
21	Y129A00-21710	SENSOR, flywheel	1	EA	When replacing this part, it is necessary to update the software of the ECU using the designated service tool. Please refer to the Service Manual for details.	
22	Y26450-060162	BOLT (M6X16)	1	EA		

CYLINDER HEAD & BONNET Fig.4 CYLINDER HEAD & BONNET



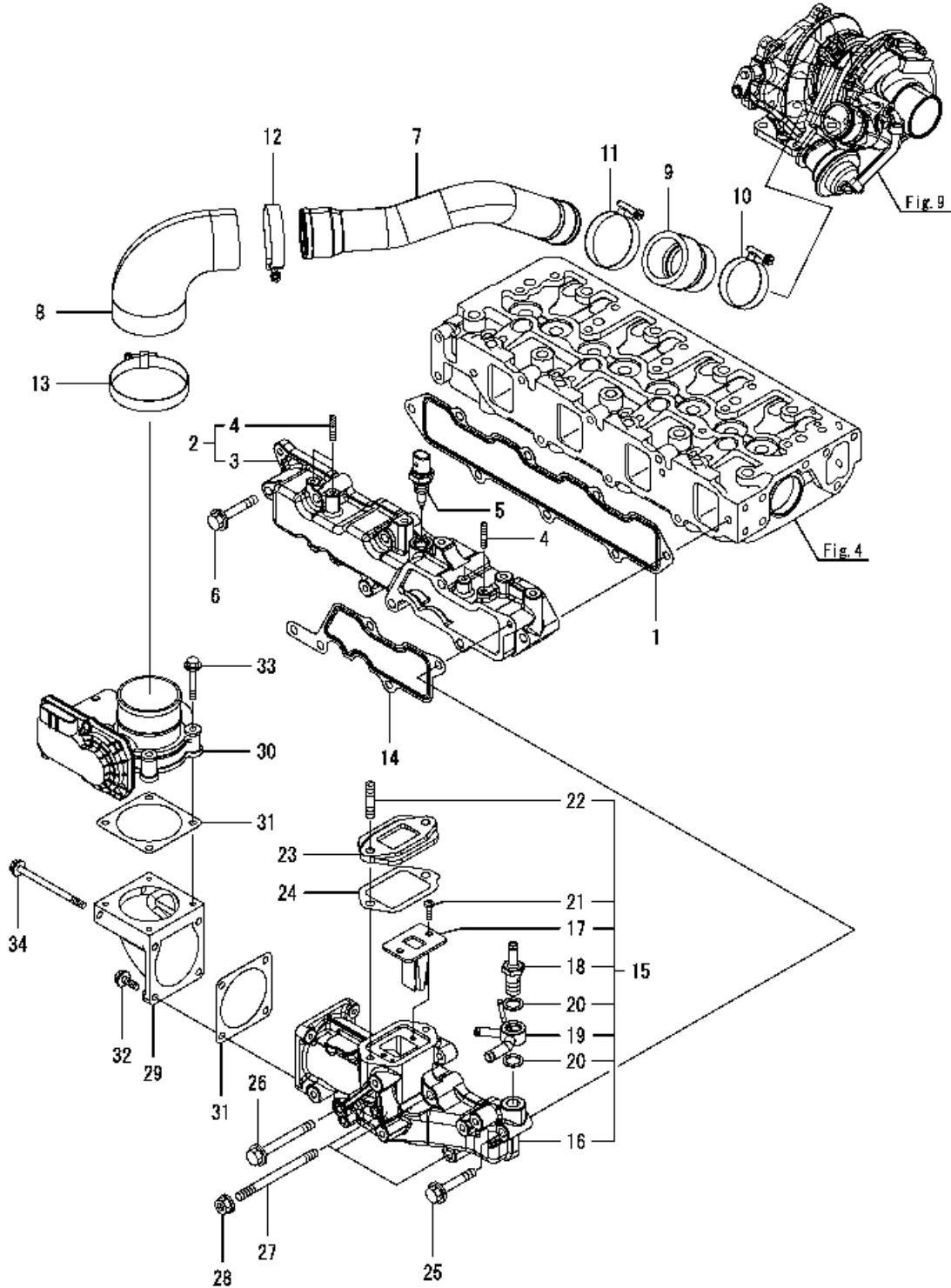
OCD71-@77700	4. CYLINDER HEAD & BONNET		
4TNV86CT-PTB	1: 2012. 12 2:	3:	4:

Item	Part No.	Name	Qty	Uom	Remarks	SERIAL NUMBER
1	Y129601-11241	SHAFT ASSY, rocker	1	EA		
2	Y129601-11251	SHAFT, rocker arm	1	EA		
4	Y119802-11260	SUPPORT, rocker arm	2	EA		
5	Y119802-11270	SUPPORT, rocker arm	3	EA		
6	Y129150-11280	SPRING, rocker	4	EA		
7	Y129004-11650	ARM ASSY, rocker	8	EA		
8	Y129150-11230	SCREW, valve	8	EA		
10	Y129150-11750	NUT, M8	8	EA		
11	Y26226-080182	STUD, plated (M8X18)	3	EA		
12	Y129150-11370	CAP, valve	8	EA		
13	Y129C01-11700	HEAD ASSY, cylinder	1	EA		
21	Y27241-400000	PLUG 40	2	EA		
22	Y129005-11100	VALVE, intake	4	EA		
23	Y129795-11120	SPRING, valve	8	EA		
24	Y129100-11130	VALVE, exhaust	4	EA		
25	Y129795-11180	SPRING, retainer	8	EA		
26	Y124460-11340	SEAL, valve stem	4	EA		
27	Y129A00-11340	SEAL, valve stem	4	EA		
28	Y27310-080001	COTTER, 8	8	EA		
30	Y129978-11871	GASKET, injector	4	EA		
31	Y129A00-11900	RETAINER, injector	4	EA		
32	Y120270-54410	WASHER	4	EA		
33	Y22351-060012	PIN, spring (6X12)	2	EA		
34	Y26106-080252	BOLT, plated (M8X25)	3	EA		
35	Y26106-080352	BOLT, plated (M8X35)	4	EA		
36	Y26106-080502	BOLT, plated (M8X50)	7	EA		
37	Y124160-01751	CAP, filler	1	EA		
38	Y129C01-11351	BONNET ASSY	1	EA		
39	Y129004-03010	PLATE, baffle	1	EA		
40	Y129150-03070	BAFFLE, breather	1	EA		
41	Y123907-03100	BREATHER, diaphragm	1	EA		
42	Y123907-03110	PLATE, center	1	EA		
43	Y123907-03120	PLATE, breather	1	EA		
44	Y123907-03140	SPRING, diaphragm	1	EA		
46	Y129C00-11310	GASKET, cover	1	EA		
47	Y129A00-11330	JOINT	1	EA		
48	Y129009-11340	PLATE, spring	1	EA		

This page intentionally left blank

Item	Part No.	Name	Qty	Uom	Remarks	SERIAL NUMBER
49	x*****.*****	SENSOR, pressure	1	EA	When replacing this part, it is necessary to update the software of the ECU using the designated service tool. Please refer to the Service Manual for details.	
50	Y129A00-12780	O-RING, pressure sensor	2	EA		
51	Y129A00-13360	HOSE ASSY, pressure exhaust	1	EA		
53	Y129A00-13380	CLIP, hose	2	EA		
54	Y119640-61400	CAP	1	EA		
55	Y22857-500100	SCREW, tapping (5X10)	4	EA		
56	Y22857-500100	SCREW, tapping (5X10)	6	EA		
57	Y22857-500100	SCREW, tapping (5X10)	1	EA		
58	Y26450-060162	BOLT (M6X16)	2	EA		
59	Y124160-11360	KNOB (LOOKS LIKE BOLT)	3	EA		
60	Y24311-000120	O-RING (1A P 12.0)	3	EA		
61	Y121420-01760	O-RING	1	EA		
62	Y129C01-03050	JOINT, breather	1	EA		
63	Y129C01-03080	HOSE ASSY, breather	1	EA		
65	Y129410-03990	CLAMP, hose (21.5)	2	EA		
67	Y129C01-12060	HOSE, intake	1	EA		
68	Y129A00-12711	SENSOR, air temp	1	EA		
69	Y129A00-12790	O-RING, temp sensor	1	EA		
70	Y23000-060000	CLAMP	2	EA		
71	Y26106-060162	BOLT, plated (M6X16)	1	EA		
72	Y119226-07900	LIFTER	1	EA		
73	Y129900-07900	LIFTER, engine	1	EA		
74	Y129C01-07910	SPACER, lifter	1	EA		
75	Y26106-080162	BOLT, plated (M8X16)	4	EA		
76	Y26106-080252	BOLT, plated (M8X25)	2	EA		
77	Y119803-77830	HARNESS	1	EA		
78	Y129008-77800	PLUG, glow	4	EA		
79	Y129C00-77820	CONNECTOR, glow plug	1	EA		
80	Y120130-11860	GUIDE	4	EA	Spare parts.	
81	Y129150-11810	VALVE, guide	4	EA	Spare parts.	

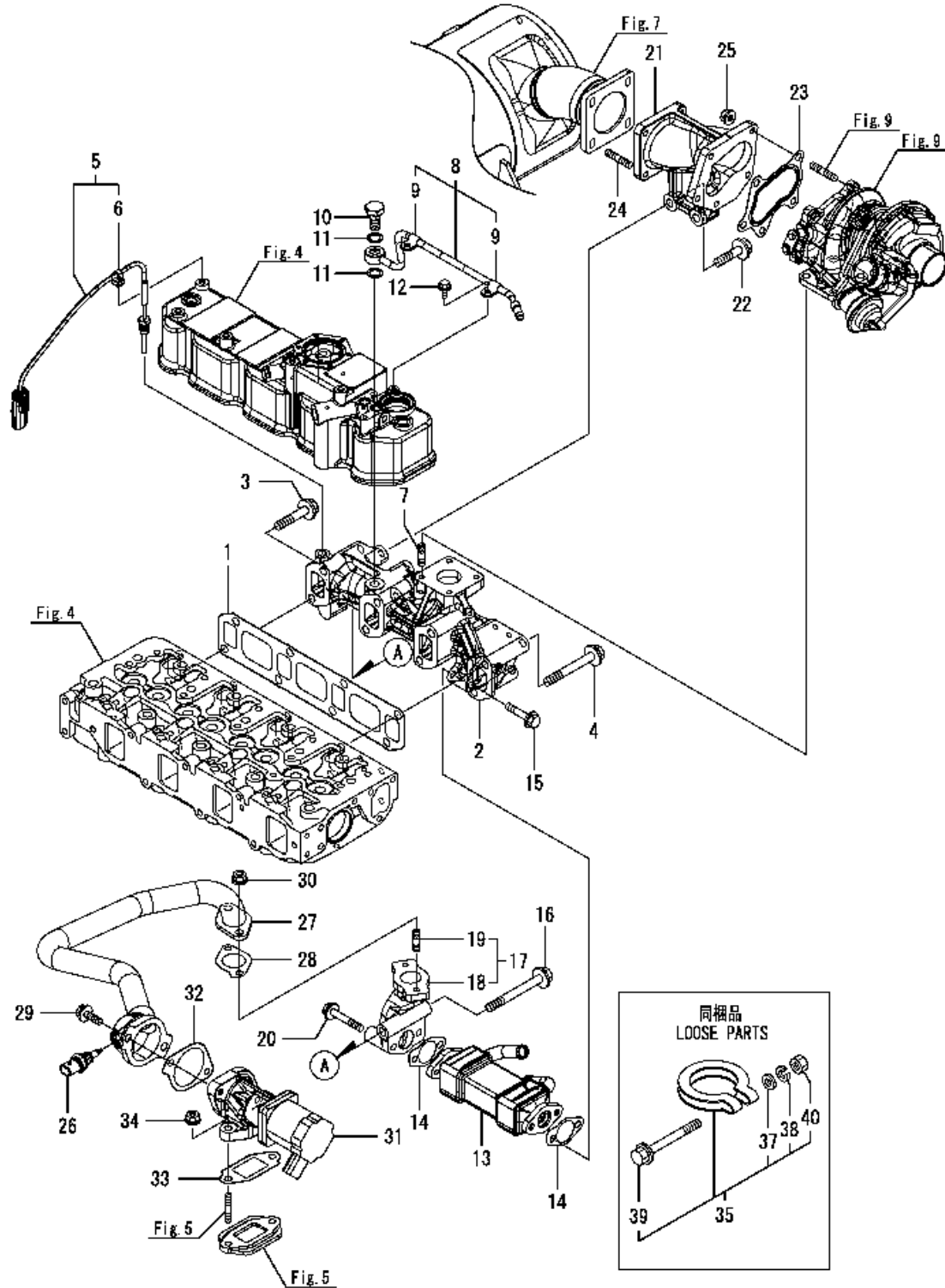
SUCTION MANIFOLD Fig.5 SUCTION MANIFOLD



OCD71-@77700 5. SUCTION MANIFOLD			
4TNV86CT-PTB	1: 2012. 12 2:	3:	4:

Item	Part No.	Name	Qty	Uom	Remarks	SERIAL NUMBER
1	Y129C00-12110	GUIDE	1	EA		
2	Y129C01-12150	MANIFOLD, intake (COMPLETE)	1	EA		
3	Y129C01-12100	MANIFOLD, intake	1	EA		
4	Y26216-060202	STUD, plated (M6X20)	4	EA		
5	Y129A00-12720	SENSOR, air temp	1	EA	When replacing this part, it is necessary to update the software of the ECU using the designated service tool. Please refer to the Service Manual for details.	
6	Y26106-080502	BOLT, plated (M8X50)	5	EA		
7	Y129C01-18200	SUCTION, duct	1	EA		
8	Y129A01-18210	JOINT, rubber	1	EA		
9	Y129C01-18220	JOINT, rubber	1	EA		
10	Y23000-048000	CLAMP, hose	1	EA		
11	Y23000-054000	CLAMP (54)	1	EA		
12	Y23000-060000	CLAMP	1	EA		
13	Y23000-075000	CLAMP	1	EA		
14	Y129A00-12810	GASKET, collector	1	EA		
15	Y129A01-12851	COLLECTOR, INT CMP	1	EA		
16	Y129A01-12800	COLLECTOR, INT	1	EA		
17	Y129C01-13700	VALVE, reed	1	EA		
18	Y129A00-59110	JOINT, hose	1	EA		
19	Y129A00-59120	JOINT, hose	1	EA		
20	Y22190-140002	WASHER, seal (14S)	2	EA		
21	Y22857-500160	SCREW (5X16)	2	EA		
22	Y26216-080352	STUD, M8X 35	2	EA		
23	Y129A00-13710	SPACER (EGR VALVE)	1	EA		
24	Y129A00-13720	GASKET (EGR-V SPACER)	1	EA		
25	Y26106-080502	BOLT, plated (M8X50)	1	EA		
26	Y26106-080752	BOLT (8X75)	1	EA		
27	Y26216-081052	STUD	3	EA		
28	Y26306-080002	NUT	3	EA		
29	Y129A00-12820	BEND, inlet	1	EA		
30	Y129A00-12900	BODY, throttle	1	EA	When replacing this part, it is necessary to update the software of the ECU using the designated service tool. Please refer to the Service Manual for details.	
31	Y129A00-12910	GASKET, throttle	2	EA		
32	Y26106-060202	BOLT, plated (M6X20)	2	EA		
33	Y26106-060402	BOLT, plated (M6X40)	4	EA		
34	Y26106-060902	BOLT	2	EA		

EXHAUST MANIFOLD Fig.6 EXHAUST MANIFOLD



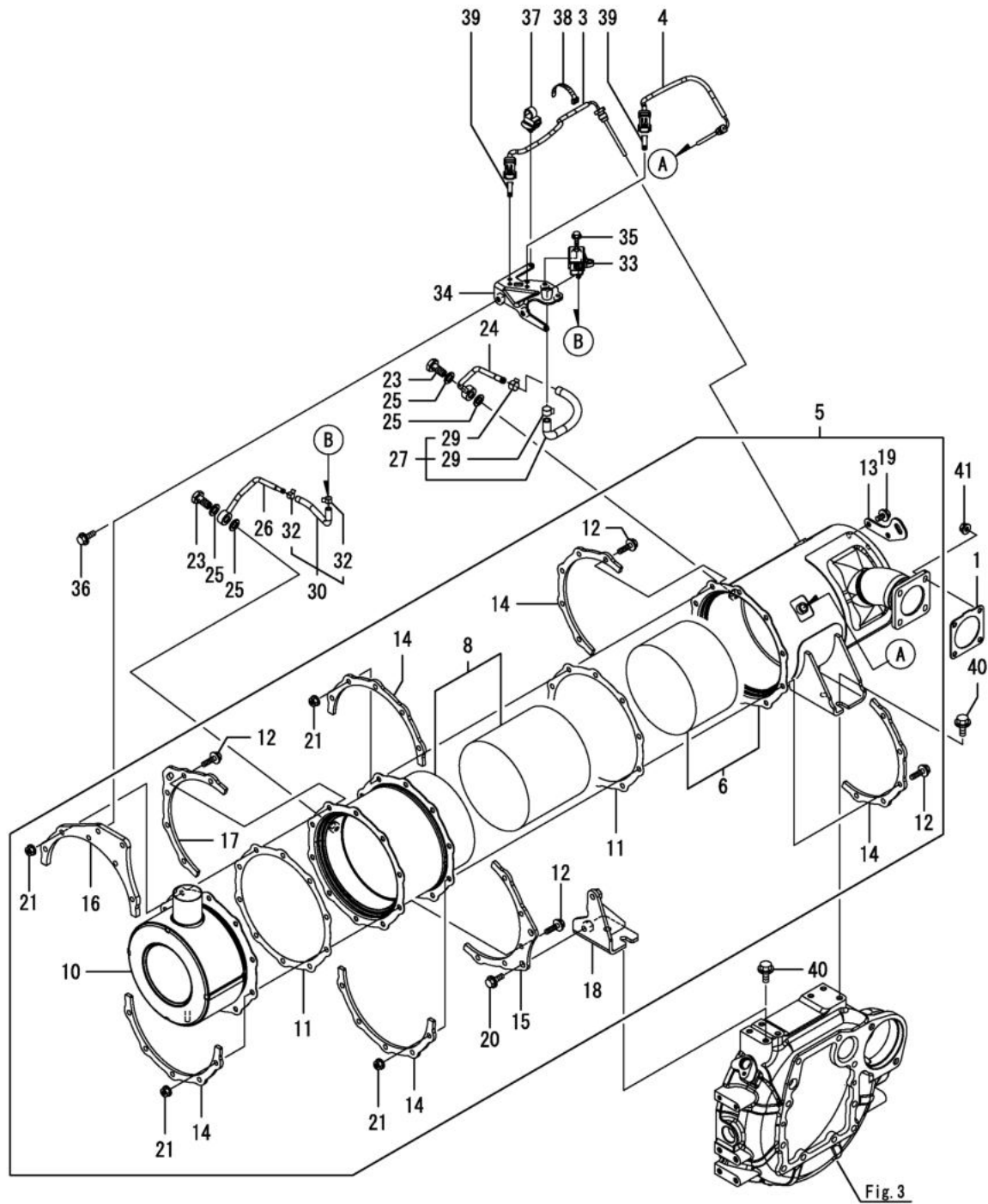
OCD11-@17700	8. EXHAUST MANIFOLD		
4TNV06CT-PTB	1: 2012, 12 2:	3:	4:

Item	Part No.	Name	Qty	Uom	Remarks	SERIAL NUMBER
1	Y129C00-13110	GASKET, exhaust manifold	1	EA		
2	Y129C01-13110	MANIFOLD, exhaust	1	EA		
3	Y129A01-13601	BOLT (M10X50) (10.9T)	1	EA		
4	Y129F01-13630	BOLT (M10X80) (10.9T)	7	EA		
5	Y129C01-13770	SENSOR, exhaust temperature	1	EA	When replacing this part, it is necessary to update the software of the ECU using the designated service tool. Please refer to the Service Manual for details.	
6	Y129A00-91200	BAND, clip	1	EA		
7	Y129418-18320	BOLT, stud (M 8 X 20)	4	EA		
8	Y129A00-13300	PIPE ASSY, exhaust	1	EA		
9	Y23297-080061	CLAMP	2	EA		
10	Y129A00-13350	BOLT, pipe joint	1	EA		
11	Y23414-120000	GASKET 12, round	2	EA		
12	Y26106-060122	BOLT, plated (M6X12)	2	EA		
13	Y129A00-13400	COOLER, EGR	1	EA		
14	Y129A00-13410	GASKET (EGR COOLER)	2	EA		
15	Y129E00-13620	BOLT (M8X40) (10.9T)	2	EA		
16	Y129F01-13600	BOLT (M10X90) (10.9T)	1	EA		
17	Y129A00-13851	PIPE, EGR (OUT) (COMPLETE)	1	EA		
18	Y129A00-13861	PIPE, EGR (OUT)	1	EA		
19	Y129418-18320	BOLT, stud (M 8 X 20)	2	EA		
20	Y26106-080502	BOLT, plated (M8X50)	2	EA		
21	Y129C01-13350	PIPE, exhaust	1	EA		
22	Y129F01-13650	BOLT (M10X40) (10.9T)	2	EA		
23	Y129508-18090	GASKET, turbocharger	1	EA		
24	Y119131-18320	BOLT (M8X22)	4	EA		
25	Y26306-080002	NUT	5	EA		
26	Y129A00-13751	SENSOR, EGR (GAS TEMP)	1	EA	When replacing this part, it is necessary to update the software of the ECU using the designated service tool. Please refer to the Service Manual for details.	
27	Y129C00-13800	PIPE, EGR (COMPLETE)	1	EA		
28	Y129927-13810	GASKET (EGR PIPE)	1	EA		
29	Y26106-080252	BOLT, plated (M8X25)	2	EA		
30	Y26306-080002	NUT	2	EA		
31	Y129C00-13901	VALVE, EGR	1	EA	When replacing this part, it is necessary to update the software of the ECU using the designated service tool. Please refer to the Service Manual for details.	

This page intentionally left blank

Item	Part No.	Name	Qty	Uom	Remarks	SERIAL NUMBER
32	Y129A00-13910	GASKET, EGR-V (IN)	1	EA		
33	Y129A00-13920	GASKET, EGR-V (OUT)	1	EA		
34	Y26306-080002	NUT	2	EA		
35	Y129640-13590	CLAMP ASSY, silencer	1	EA		
37	Y22117-100000	WASHER 10	1	EA		
38	Y22217-100000	WASHER, spring (10)	1	EA		
39	Y26106-100652	BOLT (M10X65) (PLATED)	1	EA		
40	Y26706-100002	NUT (M10)	1	EA		

DIESEL PARTICULATE FILTER (DPF) Fig.7 DIESEL PARTICULATE FILTER (DPF)



OCD11-M17701	7. DIESEL PARTICULATE FILTER (DPF)			
4TNV86CT-PTB/-PTB1	1: 2015. 09	2:	3:	4:

Item	Part No.	Name	Qty	Uom	Remarks	SERIAL NUMBER
1	Y129930-13201	GASKET, silencer	1	EA		
3	Y129C00-13940	SENSOR, exhaust temperature	1	EA	When replacing this part, it is necessary to update the software of the ECU using the designated service tool. Please refer to the Service Manual for details., When exhaust temperature sensor or pressure sensor are replaced. Although there is no need to rewrite the ECU, it is necessary to perform DPF regeneration processing	
4	Y129C00-13950	SENSOR, exhaust temperature	1	EA	When replacing this part, it is necessary to update the software of the ECU using the designated service tool. Please refer to the Service Manual for details., When exhaust temperature sensor or pressure sensor are replaced. Although there is no need to rewrite the ECU, it is necessary to perform DPF regeneration processing	
5	Y129C30-16020	DPF UNIT	1	EA	When replacing this part, it is necessary to update the software of the ECU using the designated service tool. Please refer to the Service Manual for details.	
6	Y129C01-16200	CASE, DOC	1	EA	When replacing this part, it is necessary to update the software of the ECU using the designated service tool. Please refer to the Service Manual for details.	
8	Y129C01-16400	CASE, soot filter (DOESNT INCLUDE GASKETS)	1	EA	When replacing this part, it is necessary to update the software of the ECU using the designated service tool. Please refer to the Service Manual for details.	
10	Y129E20-16550	SILENCER, DPF	1	EA		
11	Y129E00-16600	GASKET, DPF	2	EA		
12	Y129A00-16610	BOLT	20	EA		
13	Y129C01-16680	LIFTER, DPF	1	EA		
14	Y129C01-16700	STIFFENER, DPF A	5	EA		
15	Y129C01-16710	STIFFENER, DPF B	1	EA		
16	Y129C01-16730	STIFFENER, DPF C	1	EA		
17	Y129C01-16740	STIFFENER, DPF C	1	EA		
18	Y129C01-16800	STAY, DPF	1	EA		
19	Y26106-080142	BOLT, plated (M8X14)	2	EA		
20	Y26106-100222	BOLT, plated (M10X22)	2	EA		
21	Y26306-080002	NUT	20	EA		
23	Y129A00-13350	BOLT, pipe joint	2	EA		
24	Y129E00-17300	PIPE ASSY, pressure exhaust	1	EA		
25	Y129A00-17311	GASKET, sensor	4	EA		
26	Y129E00-17350	PIPE ASSY, pressure exhaust	1	EA		

This page intentionally left blank

Item	Part No.	Name	Qty	Uom	Remarks	SERIAL NUMBER
27	Y129C00-17600	HOSE ASSY, pressure exhaust	1	EA		
29	Y129A00-17520	CLIP, hose	2	EA		
30	Y129A00-17650	HOSE ASSY, pressure exhaust	1	EA		
32	Y129A00-17570	CLIP, hose	2	EA		
33	x*****_*****	SENSOR, pressure	1	EA		
34	Y129A00-17760	BRACKET, pressure sensor	1	EA		
35	Y26106-060162	BOLT, plated (M6X16)	2	EA		
36	Y26106-080202	BOLT, plated (M8X20)	2	EA		
37	Y129A00-91200	BAND, clip	1	EA		
38	Y129C00-91200	BAND	1	EA		
39	Y129A00-91430	CLIP, connector	2	EA		
40	Y26106-100202	BOLT, plated (M10X20)	4	EA		
41	Y26306-080002	NUT	4	EA		

Takeuchi DPF Cleaning Program

Takeuchi is pleased to provide an economical alternative to costly filter replacement. The Takeuchi DPF Cleaning Program provides dealers the ability to send in dirty diesel particulate filters and have them professionally cleaned of ash buildup. The cleaning process will remove approximately 98% of the ash deposits, allowing customers to reuse filters in a cost effective manner. DPFs must be cleaned at 3,000 hours or less per manufacturer recommendations. No exchanges or swap outs, your filters will be returned to you.

Step-by-Step Instructions:

Fill out DPF Cleaning Order Form: The Takeuchi DPF Cleaning Order Form is attached and should be completed and included with the returned DPF filter. Information on the form includes: dealer return shipment address, return shipment method, PO number, dealer representative contact information, and signature authorization. This form can also be downloaded from the Takeuchi Parts Portal Document Library.

Shipping: Dealer is responsible for shipping the dirty DPF to Takeuchi utilizing pre-paid freight. DPFs shipped to Takeuchi freight collect will be refused and sent back to the dealer. DPF shipment should be addressed as follows:

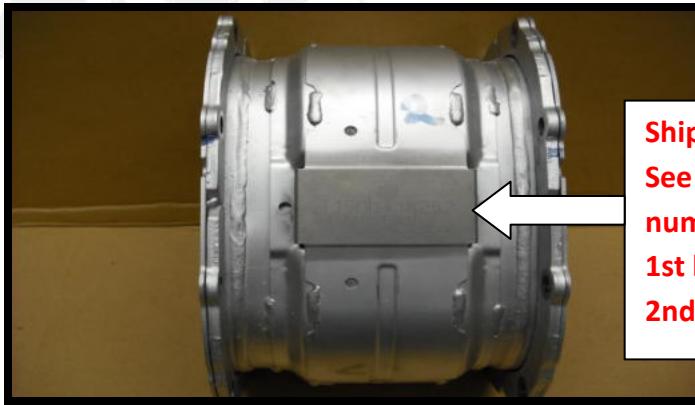
DPF Cleaning Technologies, Inc.
ATTN: Takeuchi DPF Cleaning Program
140A Auburn Park Drive
Auburn, GA 30011

Inspection and Cleaning: The DPF will be visually inspected for any cracks or damage. If damage is found, the dealer will be contacted for further guidance. If no damage is found, DPF will be thoroughly cleaned using a professional baking process. Once cleaning is complete, the DPF will be tested to ensure proper function. We will provide a quick turn-a-round, with product being cleaned and shipped within one (2) standard business days from receipt.

Pricing and Return Shipping: DPF Cleaning is **\$250** per filter. Takeuchi will ship the cleaned DPF back to the dealer via UPS Next Day Air, 2nd Day Air, or Ground Service based on the shipping method selected by the dealer on the Takeuchi DPF Cleaning Order Form. Return freight charges will be pre-paid and added to the invoice charged to the dealer's open parts account.

Price does not include any hardware, gaskets, clamps, or shop supplies utilized for removal and replacement of the DPF in the machine. Price does not include our standard \$7.50 per package shipping fee, fuel surcharges, or special delivery fees and charges that may apply.

Please note that the entire assembly should not be sent to Takeuchi for cleaning. It is the dealer's responsibility to disassemble and ship ONLY the DPF section as shown below.



**Ship DPF Core Section Only.
See Plate for part and serial
number information.
1st line is part #.
2nd line is serial #.**

The used DPF should be properly packaged by the dealer for shipment to Takeuchi. Please see example packaging below.

It is recommended that package is insured for full replacement value in case of loss or damage by the carrier. Takeuchi is not responsible for any loss or damage caused by the carrier or any loss or damage due to improper shipping or packaging by the dealer. Please see example packaging below.



- Seal the removed DPF filter comp with a plastic bag as shown in the photograph, so the ash will not escape during shipment.
- Put a cushioning material in the bottom, sides, and top of the cardboard box.
- Put "FRAGILE" sticker on the cardboard box.
- Ship Prepaid Freight to the address on the DPF cleaning form.
- Recommend insuring package with carrier for full replacement value in case of loss or damage to package.

If you have any questions, please contact the Takeuchi Service Department at 706-693-3600.

DPF Cleaning Order Form

Please fill out this form completely and return with the DPF filter to:

DPF Cleaning Technologies, Inc.
ATTN: Takeuchi DPF Cleaning Program
140A Auburn Park Drive
Auburn, GA 30011

Note: Disassemble and send the center section of the DPF assembly only. Sending the complete DPF assembly will result in additional charges for disassembly.

<i>DEALERSHIP CONTACT INFORMATION</i>	
Dealer Name	
Dealer Account Number (Parts)	
Dealer Contact Name / Phone Number	
Ship to Address	
City, State, Zip	
Purchase Order Number	

<i>MACHINE INFORMATION</i>	
Model Number	
Serial Number	
Machine Hours	
DPF Serial Number (side of DPF)	

Return Freight will be pre-paid and added to the final invoice.

Return Freight Options:

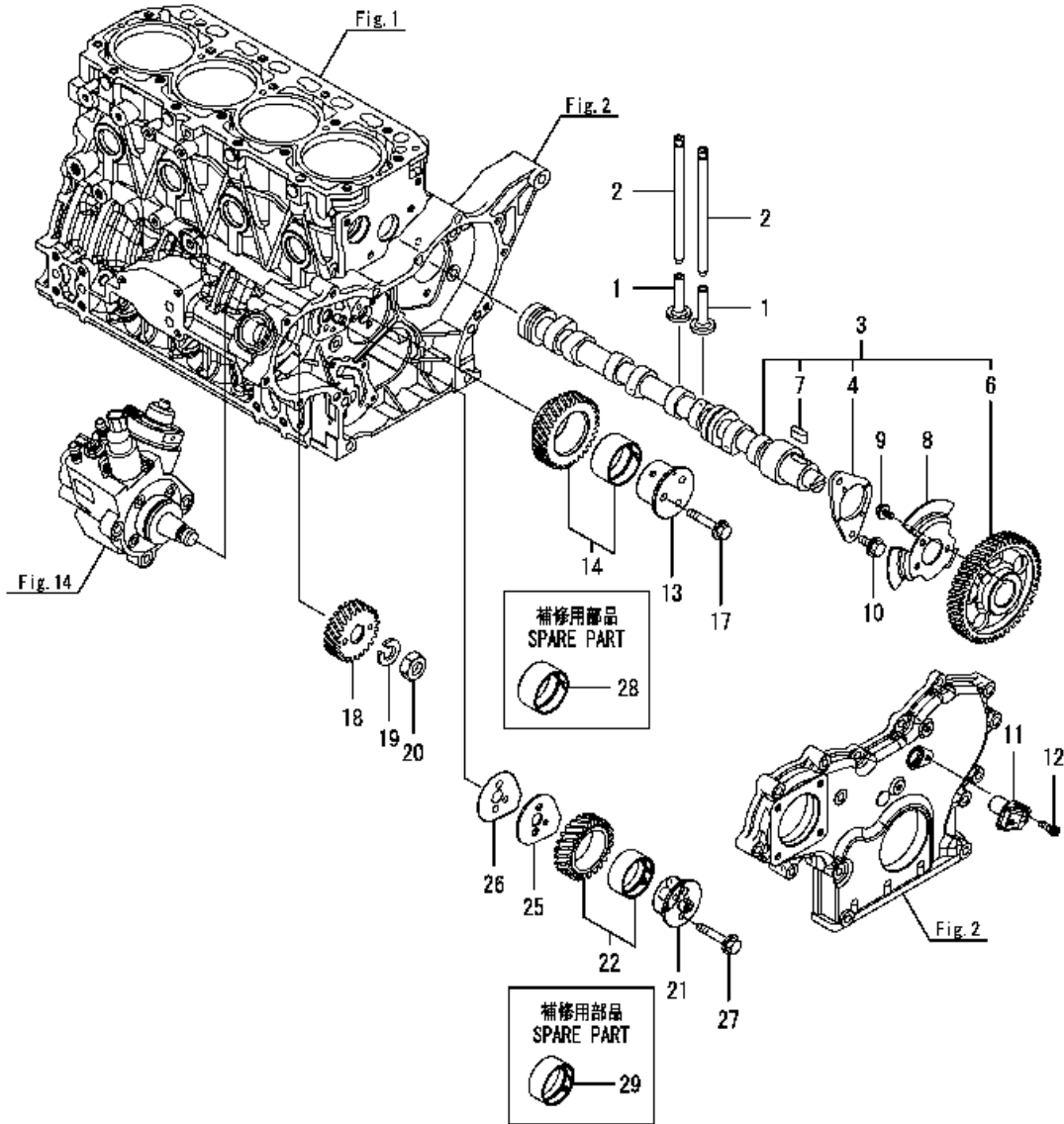
- UPS Next Day Air
- UPS 2nd Day Air
- UPS Ground

Date: _____

Authorized Signature: _____

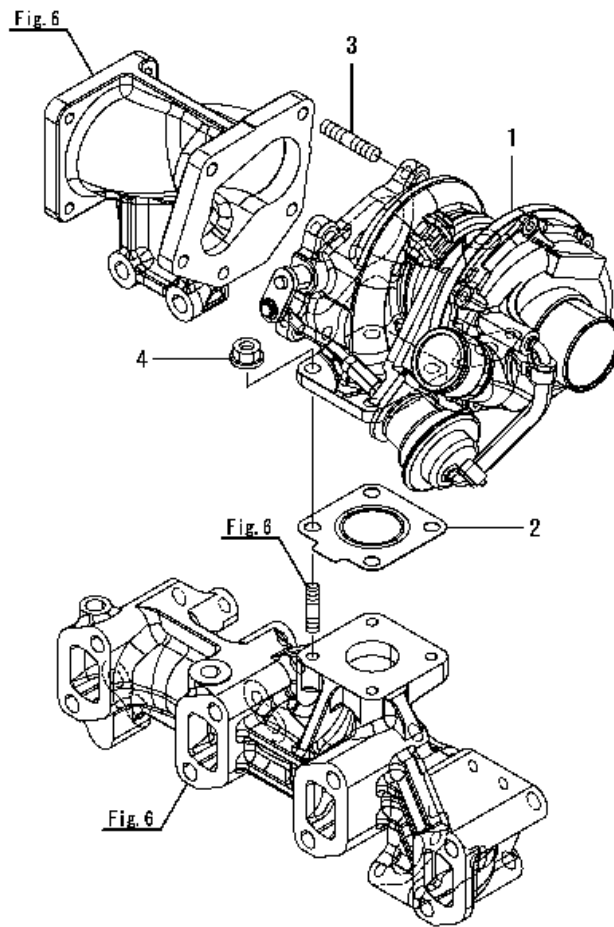
This page intentionally left blank

CAMSHAFT & DRIVING GEAR Fig.8 CAMSHAFT & DRIVING GEAR



OCD71-@77700 8. CAMSHAFT & DRIVING GEAR			
4TNV86CT-PTB	1: 2012, 12 2:	3:	4:

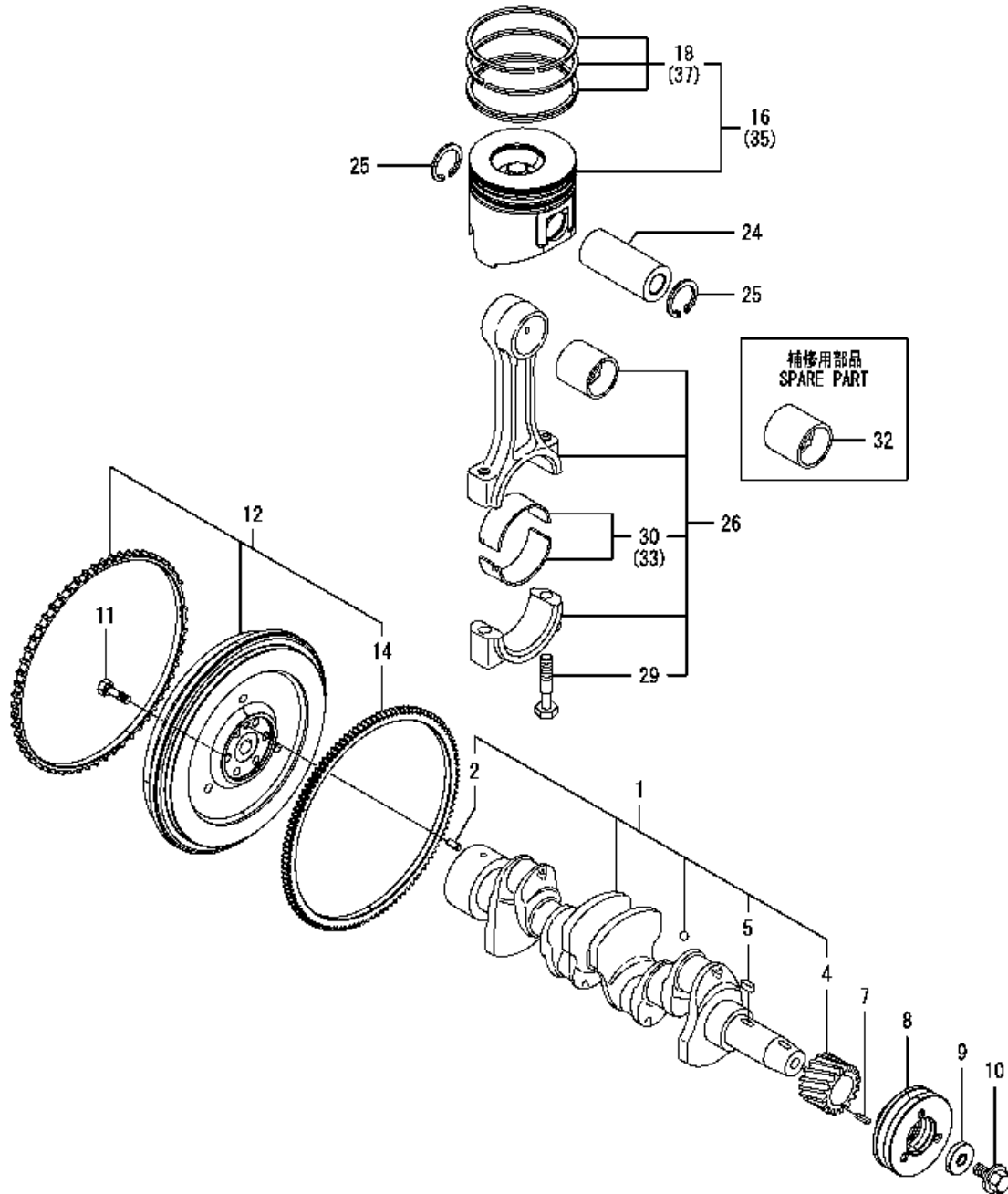
Item	Part No.	Name	Qty	Uom	Remarks	SERIAL NUMBER
1	Y129150-14200	TAPPET	8	EA		
2	Y129150-14400	ROD, push	8	EA		
3	Y129C00-14580	CAMSHAFT ASSY	1	EA		
4	Y129150-02450	BEARING, thrust	1	EA		
6	Y129A00-14100	GEAR, camshaft	1	EA		
7	Y22512-070140	KEY (7X14)	1	EA		
8	Y129A00-14700	PULSER, camshaft	1	EA		
9	Y26106-060102	BOLT, plated (6X10)	3	EA		
10	Y26106-080142	BOLT, plated (M8X14)	2	EA		
11	Y129A00-14710	SENSOR, gear	1	EA		
12	Y26450-060162	BOLT (M6X16)	1	EA		
13	Y129A00-25050	SHAFT, idle gear	1	EA		
14	Y129A00-25110	GEAR ASSY, idle	1	EA		
17	Y26106-080452	BOLT, plated (M8X45)	3	EA		
18	Y129A00-25900	GEAR, supply pump	1	EA		
19	Y22217-180000	WASHER, spring	1	EA		
20	Y26776-180002	NUT, lock	1	EA		
21	Y129A00-25060	SHAFT, idle gear	1	EA		
22	Y129A00-25120	GEAR ASSY, idle	1	EA		
25	Y129A00-25200	PLATE, idle shaft	1	EA		
26	Y129A00-25210	GASKET, idle shaft	1	EA		
27	Y26106-080402	BOLT, plated (M8X40)	2	EA		
28	Y119802-25071	BUSH, idle gear	1	EA	Spare parts.	
29	Y129A00-25080	BUSH	1	EA	Spare parts.	



0CD11-@17700	9. TURBINE			
4TNV06CT-PTB	1: 2012. 12	2:	3:	4:

Item	Part No.	Name	Qty	Uom	Remarks	SERIAL NUMBER
1	Y129C01-18010	TURBINE ASSY (RHF4)	1	EA		
2	Y129508-18080	GASKET	1	EA		
3	Y119131-18320	BOLT (M8X22)	5	EA		
4	Y26306-080002	NUT	4	EA		

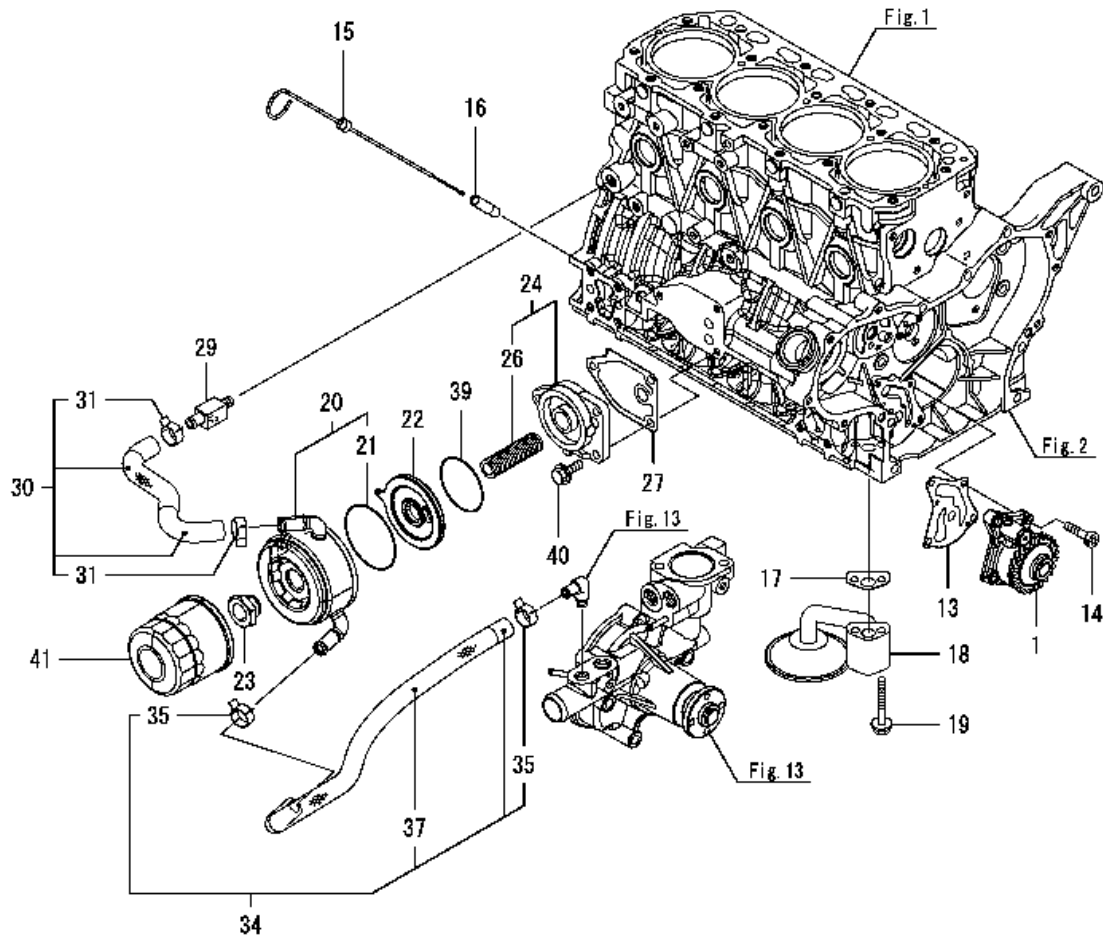
CRANKSHAFT & PISTON Fig.10 CRANKSHAFT & PISTON



OCD11-@17700	10. CRANKSHAFT & PISTON		
47NV88CT-PTB	1: 2012. 12 2:	3:	4:

Item	Part No.	Name	Qty	Uom	Remarks	SERIAL NUMBER
1	Y129509-21000	CRANKSHAFT ASSY	1	EA		
2	Y129100-01580	PIN, parallel (8X16)	1	EA		
4	Y119803-21200	GEAR, crankshaft	1	EA		
5	Y22512-070140	KEY (7X14)	1	EA		
7	Y22351-030010	PIN, spring (3X10)	1	EA		
8	Y119802-21650	V-PULLEY, crankshaft	1	EA		
9	Y129795-21661	WASHER	1	EA		
10	Y121850-21680	BOLT, V-PULLEY	1	EA		
11	Y121111-21501	BOLT, flywheel	6	EA		
12	Y129C30-21580	FLYWHEEL ASSY	1	EA		
14	Y119865-21600	GEAR, ring	1	EA		
16	Y129A01-22080	PISTON ASSY	4	EA		
18	Y129A01-22500	RING ASSY, piston	4	EA		
24	Y129202-22300	PIN, piston	4	EA		
25	Y22252-000260	RING, snap	8	EA		
26	Y729402-23100	ROD ASSY, connecting	4	EA		
29	Y121550-23200	BOLT, rod	8	EA		
30	Y129150-23601	BEARING, crank pin	4	EA		
32	Y129100-23910	PIN, bushing piston (3T84)	4	EA	Spare parts.	
33	Y129150-23611	METAL PIN US-.25	4	EA	Under-sized(U.S.=0.25)part	
35	Y129A01-22900	PISTON ASSY (OS=0.25)	4	EA	Over-sized(O.S.=0.25)part.	
37	Y129A01-22950	RING ASSY, 0.25OS	4	EA	Over-sized(O.S.=0.25)part.	

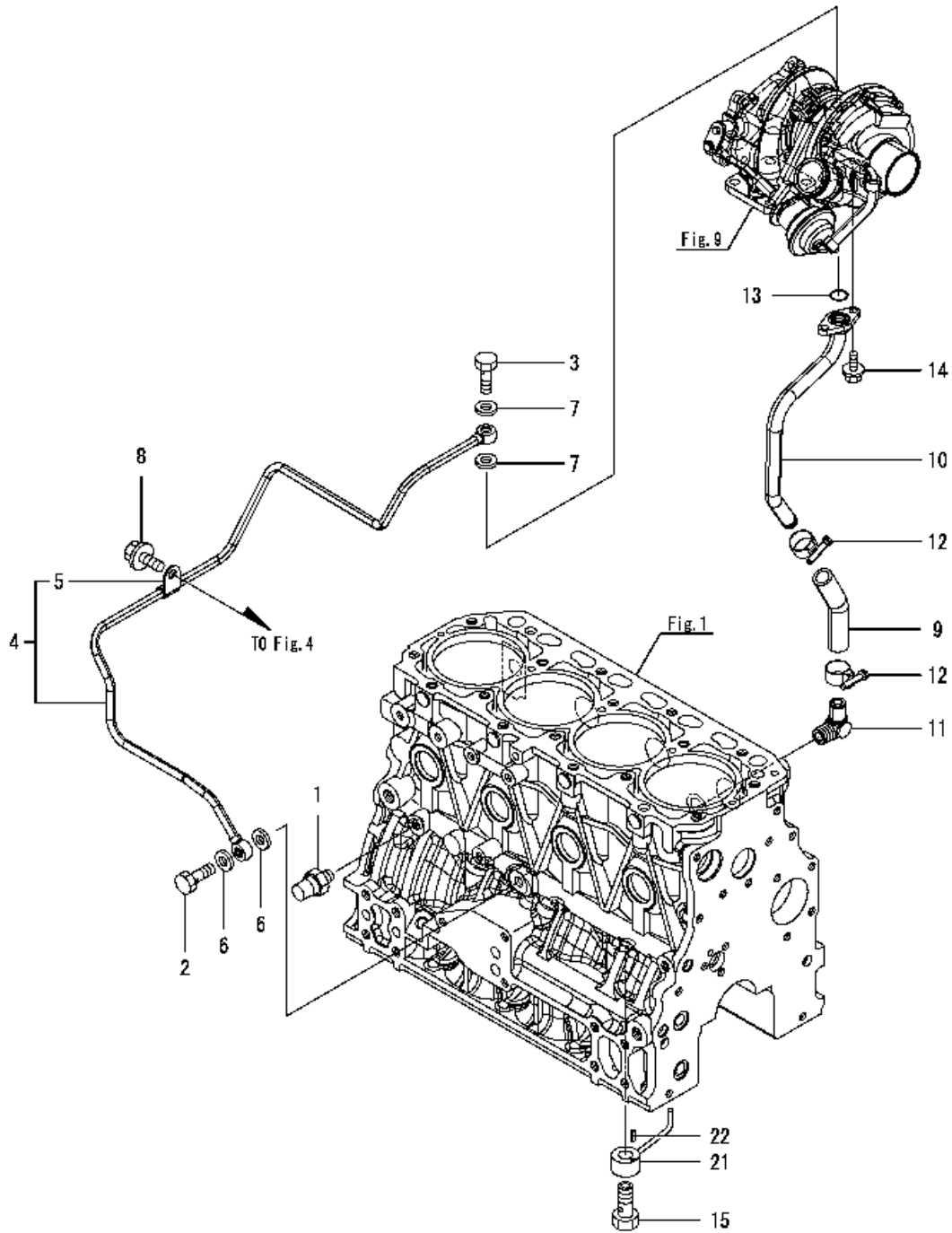
LUBE OIL SYSTEM Fig.11 LUB.OIL SYSTEM



OCD11-M17701	17. LUB. OIL SYSTEM			
4TNV86CT-PTB/-PTB1	1: 2015. 09	2:	3:	4:

Item	Part No.	Name	Qty	Uom	Remarks	SERIAL NUMBER
1	Y129A01-32000	PUMP ASSY, lub oil	1	EA		
13	Y129486-32020	GASKET	1	EA		
14	Y26450-060252	BOLT (M6X25)	4	EA		
15	Y129004-34802	DIPSTICK	1	EA		
16	Y121520-34810	GUIDE, dipstick	1	EA		
17	Y129150-35042	GASKET	1	EA		
18	Y129436-35070	PIPE	1	EA		
19	Y26106-080552	BOLT, plated (M8X55)	2	EA		
20	Y129908-33010	COOLER ASSY, oil	1	EA		
21	Y123912-33050	O-RING	1	EA		
22	Y129973-33110	BRACKET, oil cooler	1	EA		
23	Y129417-33111	NUT, oil cooler	1	EA		
24	Y129648-35100	BRACKET ASSY	1	EA		
26	Y129648-35150	STUD	1	EA		
27	Y129150-35111	GASKET	1	EA		
29	Y129006-44480	JOINT	1	EA		
30	Y129A01-49030	PIPE, cooling water	1	EA		
31	Y171008-03990	CLAMP (25)	2	EA		
34	Y129A01-49040	HOSE, cooling water	1	EA		
35	Y171008-03990	CLAMP (25)	2	EA		
37	Y129608-49090	TUBE	1	EA		
39	Y24321-000600	O-RING 1A G60.0	1	EA		
40	Y26106-080202	BOLT, plated (M8X20)	3	EA		
41	Y129150-35153	FILTER ASSY, oil	1	EA	Spare parts.	

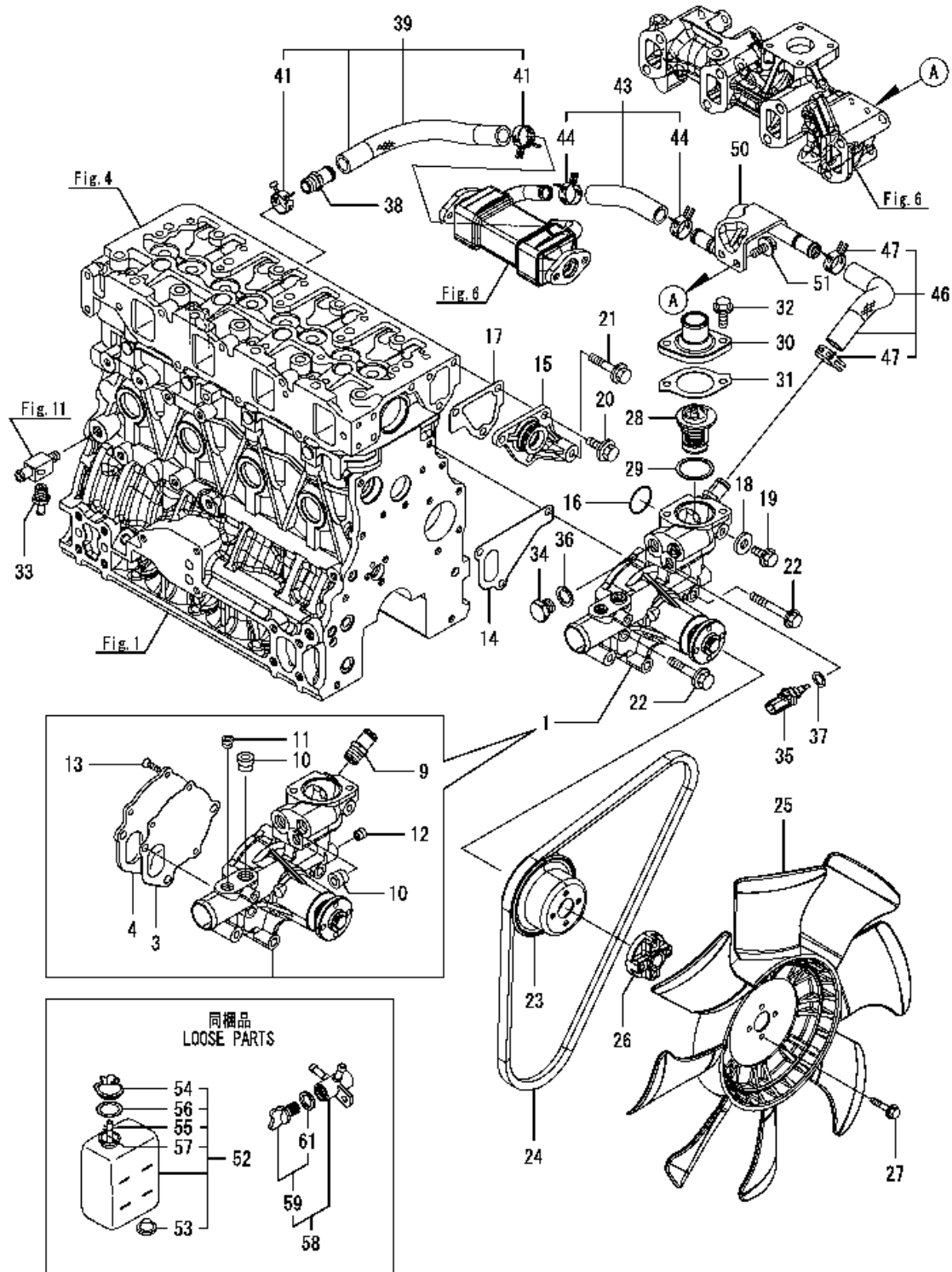
LUB OIL PIPE Fig.12 LUB.OIL PIPE



OCD71-@77700	T2. LUB. OIL LINE			
4TNV86CT-PTB	1: 2012, 12	2:	3:	4:

Item	Part No.	Name	Qty	Uom	Remarks	SERIAL NUMBER
1	Y124298-39450	SWITCH, oil pressure	1	EA		
2	Y124160-39140	BOLT, joint	1	EA		
3	Y121252-39150	BOLT, pipe joint	1	EA		
4	Y129C01-39450	PIPE ASSY, lub oil	1	EA		
5	Y124223-39900	RETAINER	1	EA		
6	Y22190-100002	WASHER, seal (10S)	2	EA		
7	Y23414-100000	PACKING	2	EA		
8	Y26106-080122	BOLT, plated (M8X12)	1	EA		
9	Y129044-39610	JOINT	1	EA		
10	Y129C01-39610	PIPE, lub oil	1	EA		
11	Y129466-49300	ELBOW PT 3/8	1	EA		
12	Y23000-022000	CLAMP (22)	2	EA		
13	Y24316-000160	O-RING (4D P-16.0)	1	EA		
14	Y26106-060122	BOLT, plated (M6X12)	2	EA		
15	Y129792-39410	VALVE ASSY, check	4	EA		
21	Y129553-39650	NOZZLE	4	EA		
22	Y22351-030010	PIN, spring (3X10)	4	EA		

COOLING WATER SYSTEM Fig.13 COOLING WATER SYSTEM



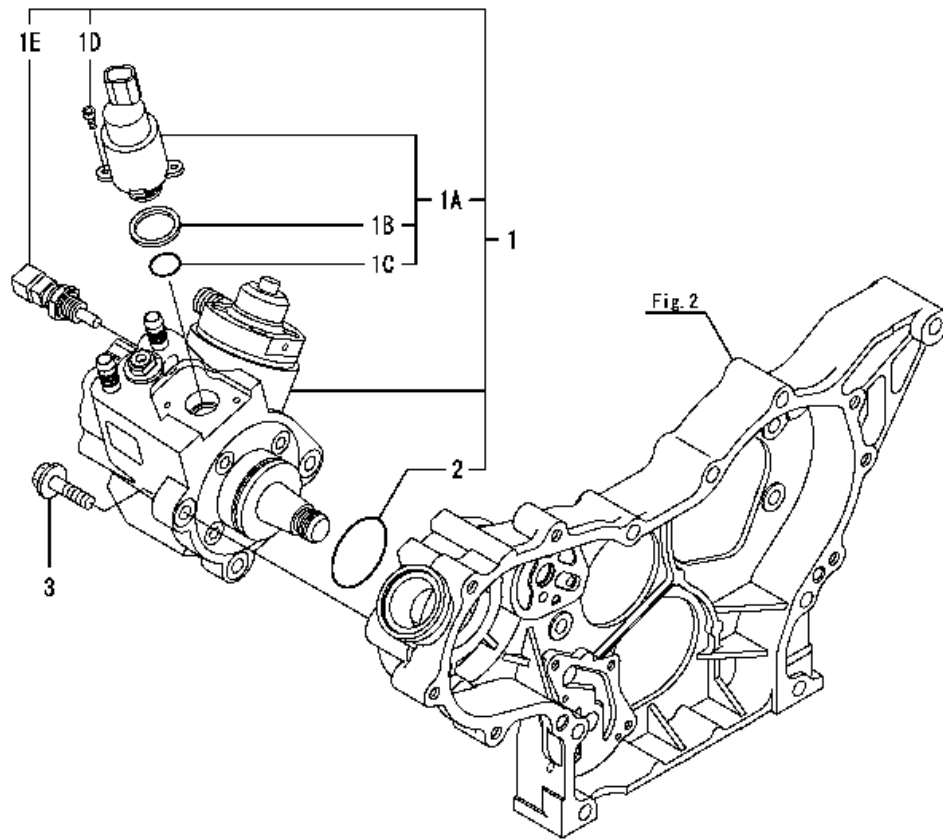
OCD71-@77700 13. COOLING WATER SYSTEM			
4TNV86CT-PTB	1: 2012, 12 2:	3:	4:

Item	Part No.	Name	Qty	Uom	Remarks	SERIAL NUMBER
1	Y129A01-42000	PUMP ASSY, water	1	EA		
3	Y129100-42051	GASKET (NON ASB)	1	EA		
4	Y129100-42121	PLATE	1	EA		
9	Y129928-49420	JOINT	1	EA		
10	Y129916-49740	PLUG, drain (RO3)	2	EA		
11	Y129103-49301	ELBOW, PT1/4	1	EA		
12	Y23876-010000	PLUG (PT1/8, SCREW)	1	EA		
13	Y26577-060142	SCREW (M6x14)	3	EA		
14	Y129486-42021	GASKET, water pump	1	EA		
15	Y129004-42040	JOINT	1	EA		
16	Y129486-42140	O-RING (CW-P)	1	EA		
17	Y124395-49840	GASKET, thermostat	1	EA		
18	Y23414-080000	GASKET (8 ROUND)	1	EA		
19	Y26106-080122	BOLT, plated (M8X12)	1	EA		
20	Y26106-080162	BOLT, plated (M8X16)	3	EA		
21	Y26106-080452	BOLT, plated (M8X45)	1	EA		
22	Y26106-080602	BOLT, plated (M8X60)	3	EA		
23	Y129155-42350	PULLEY 90	1	EA		
24	Y129612-42330	BELT, fan	1	EA		
25	Y129436-44740	FAN, cooling	1	EA		
26	Y121267-44760	SPACER, fan	1	EA		
27	Y26106-060302	BOLT, plated (M6X30)	4	EA		
28	Y129457-49801	THERMOSTAT	1	EA		
29	Y129150-49811	GASKET, thermostat	1	EA		
30	Y129350-49530	COVER, thermostat	1	EA		
31	Y129795-49551	GASKET	1	EA		
32	Y26106-080222	BOLT, plated (M8X22)	2	EA		
33	Y121550-49111	JOINT (PT1/4)	1	EA		
34	Y121450-42450	PLUG, M16	1	EA		
35	Y129927-44900	THERMOMETER	1	EA	When replacing this part, it is necessary to update the software of the ECU using the designated service tool. Please refer to the Service Manual for details.	
36	Y124465-44950	GASKET (16)	1	EA		
37	Y22190-120002	WASHER, seal (12)	1	EA		
38	Y129928-49420	JOINT	1	EA		
39	Y129A00-49610	PIPE ASSY, water in	1	EA		
41	Y129960-03990	CLAMP, hose	2	EA		
43	Y129C00-49610	PIPE ASSY, water out	1	EA		

This page intentionally left blank

Item	Part No.	Name	Qty	Uom	Remarks	SERIAL NUMBER
44	Y129960-03990	CLAMP, hose	2	EA		
46	Y129C00-49620	PIPE ASSY, water out	1	EA		
47	Y129960-03990	CLAMP, hose	2	EA		
50	Y129C00-49700	PIPE, C.W (OUT)	1	EA		
51	Y26106-080162	BOLT, plated (M8X16)	2	EA		
52	Y129466-44510	TANK, sub	1	EA		
53	Y121468-44540	PLUG, sub-tank	1	EA		
54	Y121450-44531	CAP (RESERVOIR)	1	EA		
55	Y124450-44560	CLAMP, hose	1	EA		
56	Y121470-44581	GASKET	1	EA		
57	Y121267-44590	PIPE	1	EA		
58	Y129150-49100	VALVE, drain	1	EA		
59	Y129150-49080	COCK, drain	1	EA		
61	Y119629-49080	GASKET	1	EA		

FUEL SUPPLY PUMP Fig.14 FUEL SUPPLY PUMP

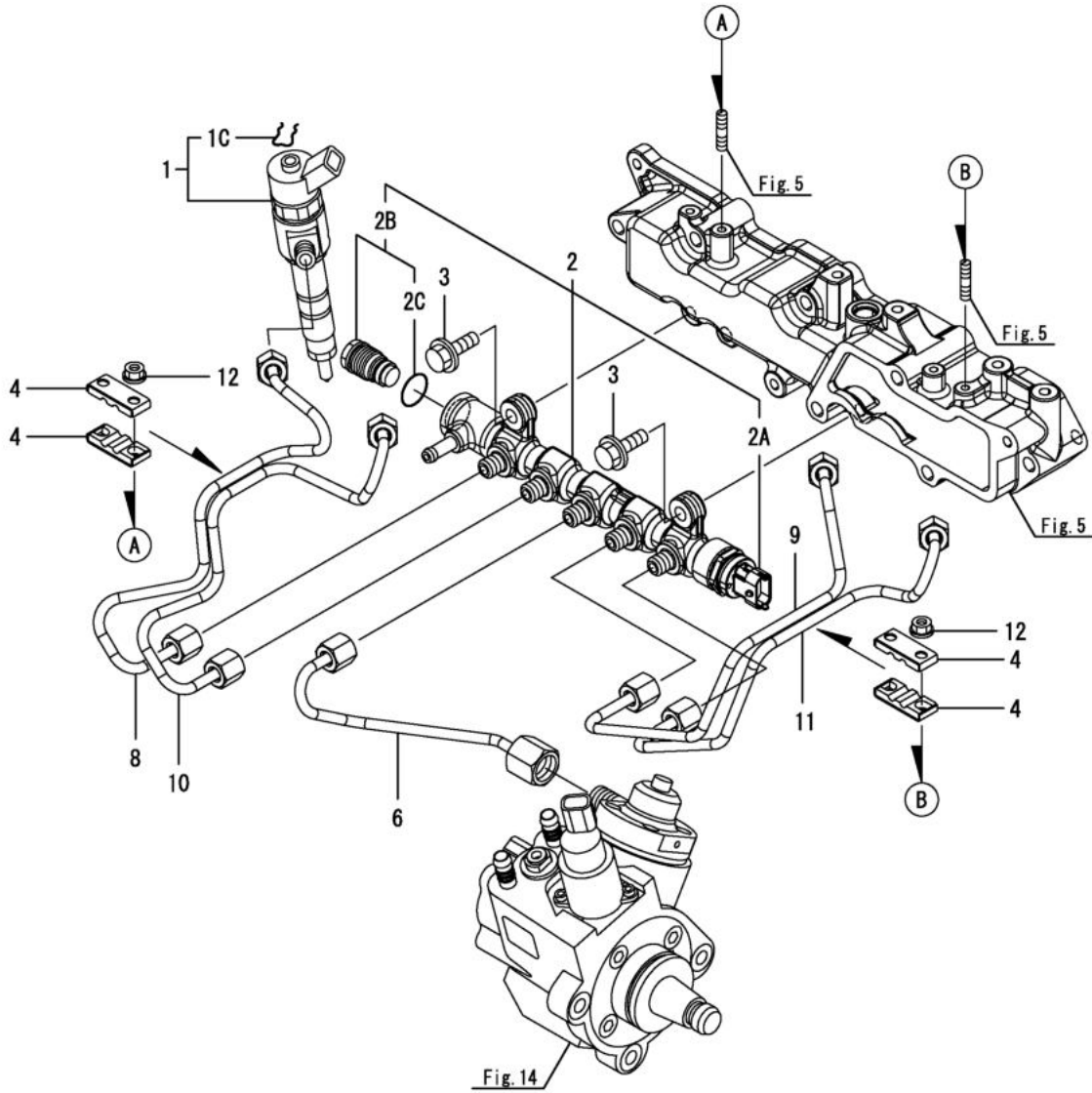


0CD71-M17701	14. FUEL SUPPLY PUMP			
4TNV86CT-PTB/-PTB1	1: 2015. 09	2:	3:	4:

Fig.14

Item	Part No.	Name	Qty	Uom	Remarks	SERIAL NUMBER
1	Y129A00-51000	PUMP ASSY, injection	1	EA	When replacing this part, it is necessary to update the software of the ECU using the designated service tool. Please refer to the Service Manual for details.	
1A	Y129A00-51100	VALVE ASSY, MPROP	1	EA	When replacing this part, it is necessary to update the software of the ECU using the designated service tool. Please refer to the Service Manual for details.	
1B	Y129A00-51110	RING, sealing	1	EA		
1C	Y129A00-51120	O-RING, MPROP	1	EA		
1D	Y129A00-51130	BOLT, MPROP	2	EA		
1E	Y129A00-51200	SENSOR, temperature	1	EA	When replacing this part, it is necessary to update the software of the ECU using the designated service tool. Please refer to the Service Manual for details.	
2	Y129A00-51900	O-RING, fuel pump	1	EA		
3	Y26106-080302	BOLT, plated (M8X30)	3	EA		

FUEL INJECTION VALVE Fig.15 FUEL INJECTION VALVE

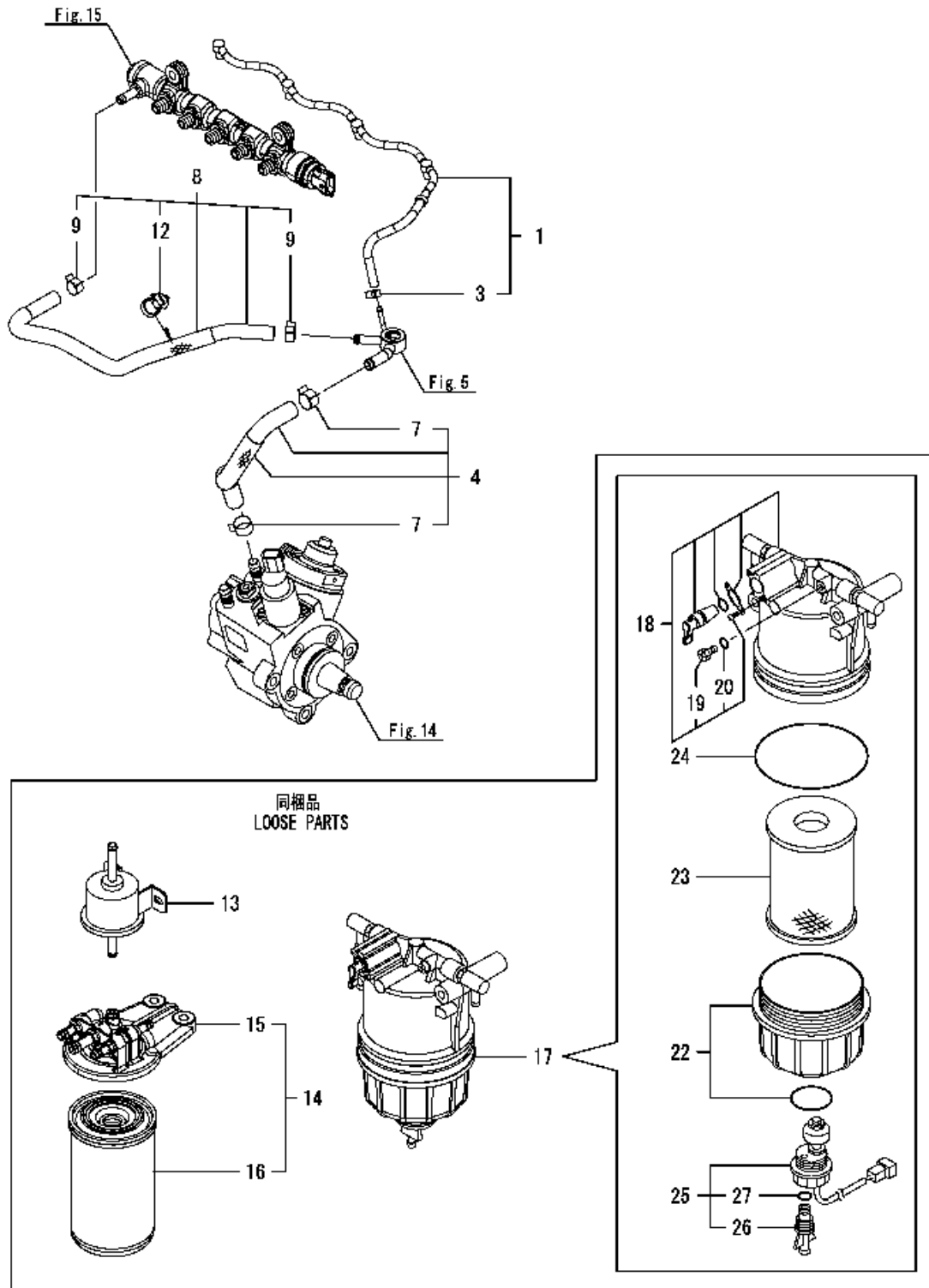


OCD11-M17701	15. FUEL INJECTION VALVE			
4TNV86CT-PTB/-PTB1	1: 2015. 09	2:	3:	4:

Fig.15

Item	Part No.	Name	Qty	Uom	Remarks	SERIAL NUMBER
1	Y129A01-53100	INJECTOR, CR	4	EA	When replacing this part, it is necessary to update the software of the ECU using the designated service tool. Please refer to the Service Manual for details.	
1C	Y129A00-53200	RING, retaining	4	EA		
2	Y129C00-57000	RAIL ASSY	1	EA	When replacing this part, it is necessary to update the software of the ECU using the designated service tool. Please refer to the Service Manual for details.	
2A	Y129A00-57100	PRESSURE, sensor rail	1	EA	When replacing this part, it is necessary to update the software of the ECU using the designated service tool. Please refer to the Service Manual for details.	
2B	Y129A00-57200	VALVE ASSY, PLV4	1	EA	When replacing this part, it is necessary to update the software of the ECU using the designated service tool. Please refer to the Service Manual for details.	
2C	Y129A00-57210	O-RING (PLV4)	1	EA		
3	Y26106-080252	BOLT, plated (M8X25)	2	EA		
4	Y127620-59080	RETAINER	4	EA		
6	Y129A00-59700	PIPE ASSY, rail in	1	EA		
8	Y129C00-59810	PIPE ASSY, injection	1	EA		
9	Y129A00-59820	PIPE ASSY, injection	1	EA		
10	Y129C00-59820	PIPE ASSY, injection	1	EA		
11	Y129A00-59830	PIPE ASSY, injection	1	EA		
12	Y26366-060002	NUT (M 6)	4	EA		

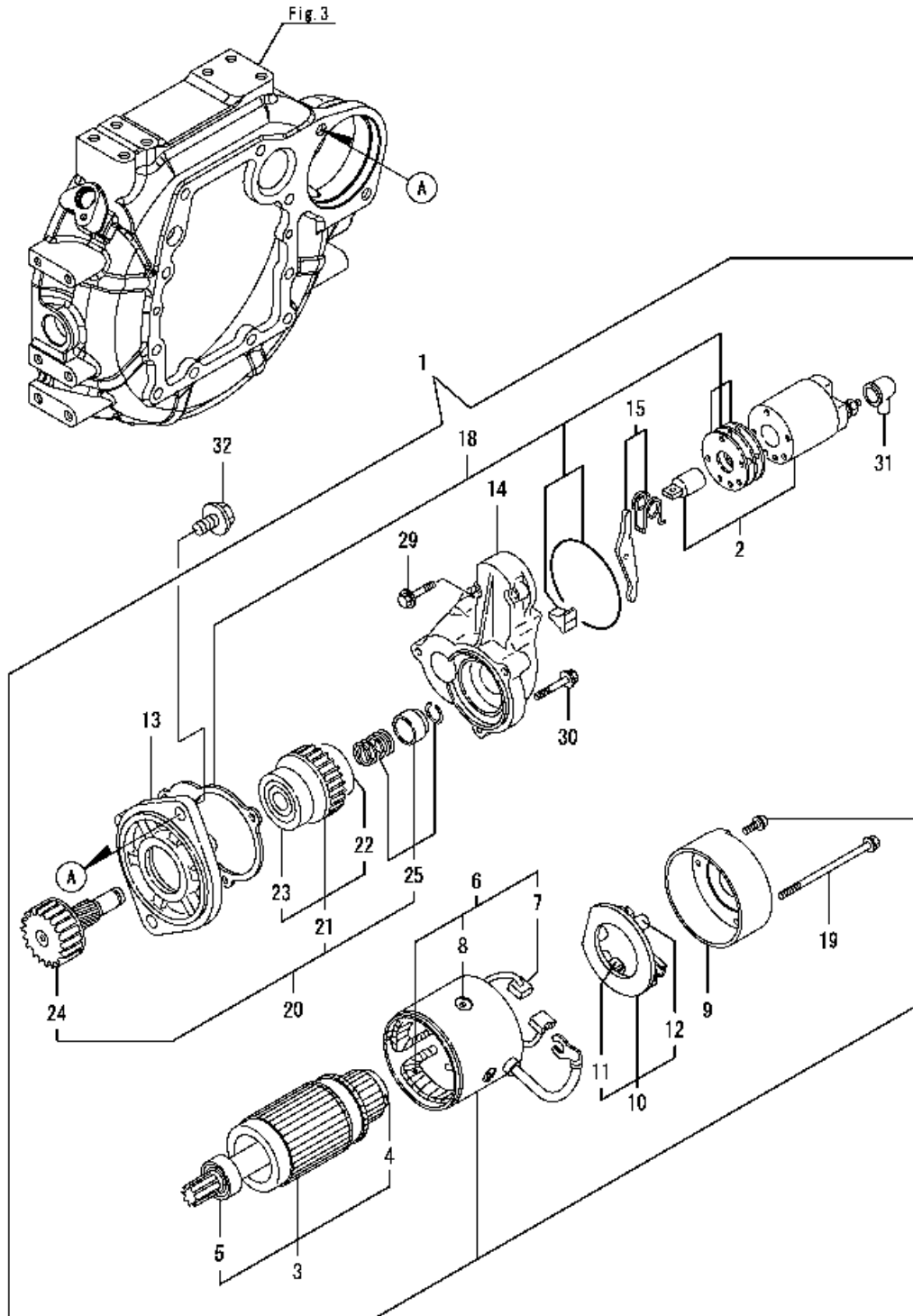
FUEL PIPE Fig.16 FUEL PIPE



DCD11-M17701	16. FUEL PIPE			
4TNV86CT-PTB/-PTB1	1: 2015. 09	2:	3:	4:

Item	Part No.	Name	Qty	Uom	Remarks	SERIAL NUMBER
1	Y129C00-59500	PIPE ASSY, fuel	1	EA		
3	Y23080-007000	CLAMP (7)	1	EA		
4	Y129A00-59020	PIPE ASSY, fuel	1	EA		
7	Y23080-015000	CLAMP (15)	2	EA		
8	Y129C00-59030	PIPE ASSY, fuel	1	EA		
9	Y114270-59010	CLIP	2	EA		
12	Y129A00-91200	BAND, clip	1	EA		
13	Y129612-52100	PUMP, feed	1	EA		
14	Y129A00-55600	FILTER, fuel	1	EA		
15	Y129A00-55610	BRACKET ASSY, fuel oil filter	1	EA		
16	Y129A00-55800	FILTER, fuel oil	1	EA		
17	Y129E00-55700	FILTER, fuel	1	EA		
18	Y129E00-55710	BODY ASSY	1	EA		
19	Y129A00-55751	PLUG, air vent	1	EA		
20	Y129A00-55760	O-RING	1	EA		
22	Y129C01-55720	CUP, fuel filter	1	EA		
23	Y129A00-55730	ELEMENT, sediment strainer	1	EA		
24	Y129A00-55740	O-RING	1	EA		
25	Y129917-55821	SENSOR ASSY, level	1	EA		
26	Y129917-55830	PLUG, drain	1	EA		
27	Y129917-55840	O-RING	1	EA		

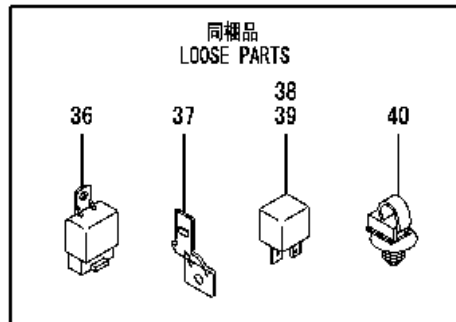
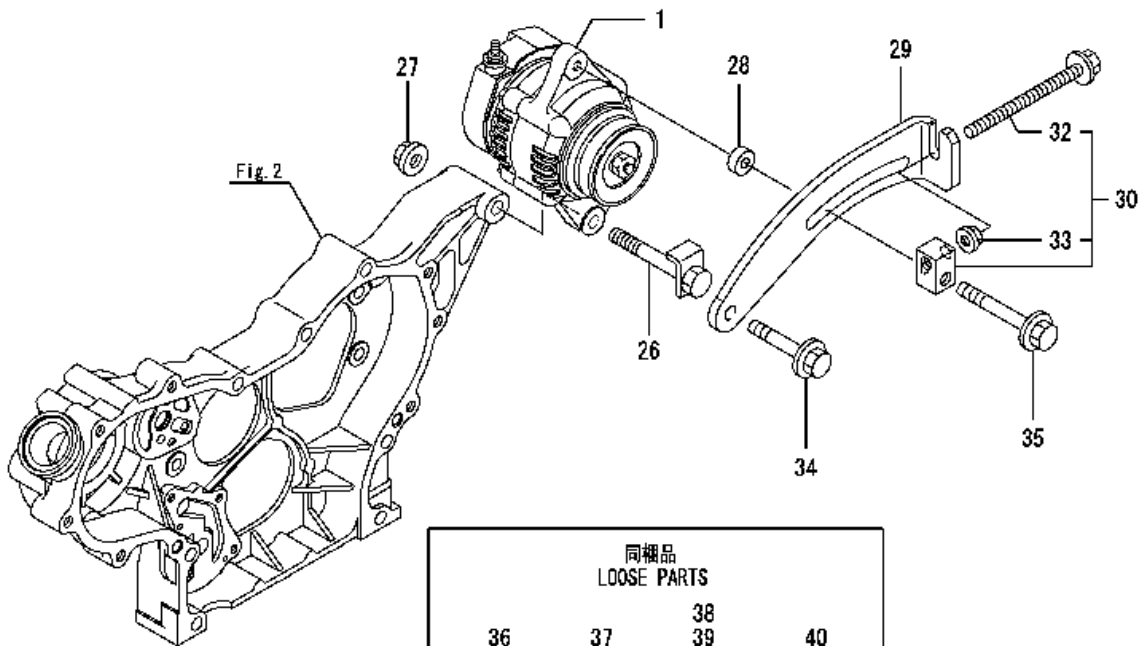
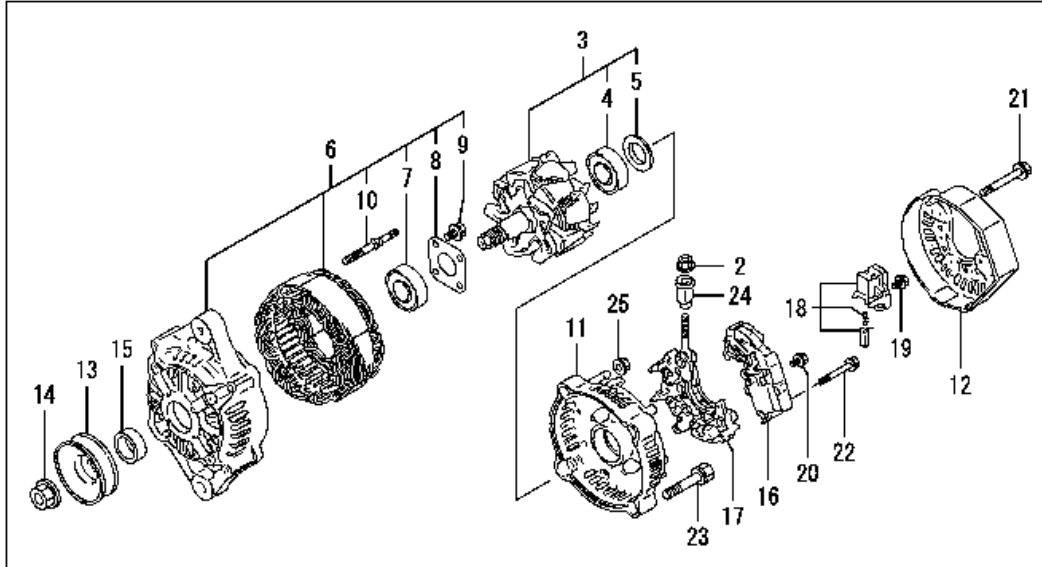
STARTING MOTOR Fig.17 STARTING MOTOR



0CD11-@17700	17. STARTING MOTOR			
47NV86CT-PTB	1: 2012. 12	2:	3:	4:

Item	Part No.	Name	Qty	Uom	Remarks	SERIAL NUMBER
1	17100877010DN	STARTER ASSY (NEW/OEM REPLACEMENT)	1	EA		
2	Y129136-77310	SHAFT, pinion	1	EA		
3	Y129900-77400	ARMATURE ASSY	1	EA		
4	YX2130350900	BEARING, ball	1	EA		
5	YX2114255110	BEARING, ball	1	EA		
6	Y129900-77440	COIL ASSY, field	1	EA		
7	Y129900-77450	BRUSH	2	EA		
8	Y171008-77450	SET-SCREW, pole core	4	EA		
9	Y129900-77460	COVER, rear	1	EA		
10	Y129900-77480	HOLDER ASSY, brush	1	EA		
11	Y129900-77450	BRUSH	2	EA		
12	Y129400-77490	SPRING, brush	4	EA		
13	Y171008-77510	CASE, gear	1	EA		
14	Y129136-77520	HOUSING, center	1	EA		
15	Y171008-77540	LEVER SET	1	EA		
18	Y129400-77571	COVER, dust	1	EA		
19	Y129900-77640	BOLT, through	2	EA		
20	Y171008-77650	PINION ASSY	1	EA		
21	YX2114555500	CLUTCH ASSY	1	EA		
22	YX2114955020	BEARING, ball	1	EA		
23	YX2240410100	BEARING, ball	1	EA		
24	Y171008-77660	SHAFT, pinion	1	EA		
25	Y171008-77670	STOPPER, pinion (SET)	1	EA		
29	Y26106-060322	BOLT, plated (M6X32)	2	EA		
30	Y26106-060402	BOLT, plated (M6X40)	3	EA		
31	Y171008-77750	COVER, terminal	1	EA		
32	Y26106-120252	BOLT, plated (M12X25)	2	EA		

GENERATOR Fig.18 GENERATOR



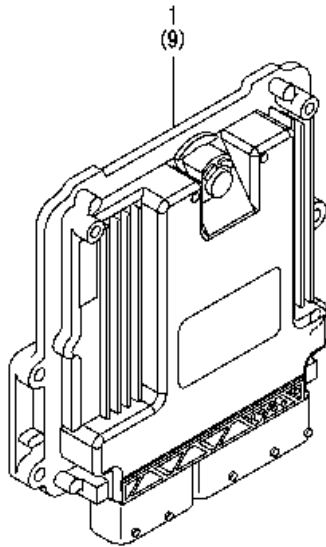
0CD71-M17701	18. GENERATOR			
4TNV86CT-PTB/-PTB1	1: 2015. 09	2:	3:	4:

Item	Part No.	Name	Qty	Uom	Remarks	SERIAL NUMBER
1	Y129961-77200	ALTERNATOR	1	EA		
2	YX9490561001	NUT	1	EA		
3	Y129052-77380	ROTOR ASSY	1	EA		
4	Y123501-79240	BEARING, ball	1	EA		
5	Y119620-79250	BEARING, cover	1	EA		
6	Y129961-77421	FRAME ASSY	1	EA		
7	Y119620-79200	BEARING, ball	1	EA		
8	Y119620-79210	RETAINER	1	EA		
9	Y119620-79220	SCREW	4	EA		
10	Y119620-79230	BOLT, stud	2	EA		
11	Y128401-77440	FRAME	1	EA		
12	Y128401-77450	COVER, generator	1	EA		
13	Y119620-77461	PULLEY, generator	1	EA		
14	Y119620-77471	NUT	1	EA		
15	Y119620-77490	COLLAR	1	EA		
16	Y119620-77710	REGULATOR ASSY	1	EA		
17	Y129052-79260	HOLDER, sub rectifier	1	EA		
18	Y129052-79270	HOLDER, brush	1	EA		
19	Y119620-79290	SCREW	6	EA		
20	Y119620-79300	SCREW	1	EA		
21	Y119620-79310	BOLT	3	EA		
22	Y119620-79320	SCREW (W/WASHER)	2	EA		
23	Y119620-79330	BOLT	2	EA		
24	Y119620-79340	BUSH, insulation	1	EA		
25	Y119620-79350	NUT	2	EA		
26	Y129A00-77250	BOLT, stopper (M10)	1	EA		
27	Y26306-100002	NUT	1	EA		
28	Y119940-77270	ADJUSTER, belt	1	EA		
29	Y119940-77310	ADJUSTER, belt	1	EA		
30	Y119624-77351	BLOCK ASSY, adjuster	1	EA		
32	Y26106-081004	BOLT (M8 X 100)	1	EA		
33	Y26306-080002	NUT	1	EA		
34	Y26106-080452	BOLT, plated (M8X45)	1	EA		
35	Y26106-080552	BOLT, plated (M8X55)	1	EA		
36	Y198461-52950	RELAY, main (ORDER # 0564251020 FOR HARNESS)	1	EA		
37	Y129927-77910	BRACKET	2	EA		
38	Y129927-77920	RELAY, starter	2	EA		
39	Y129927-77930	RELAY, grow	1	EA		

This page intentionally left blank

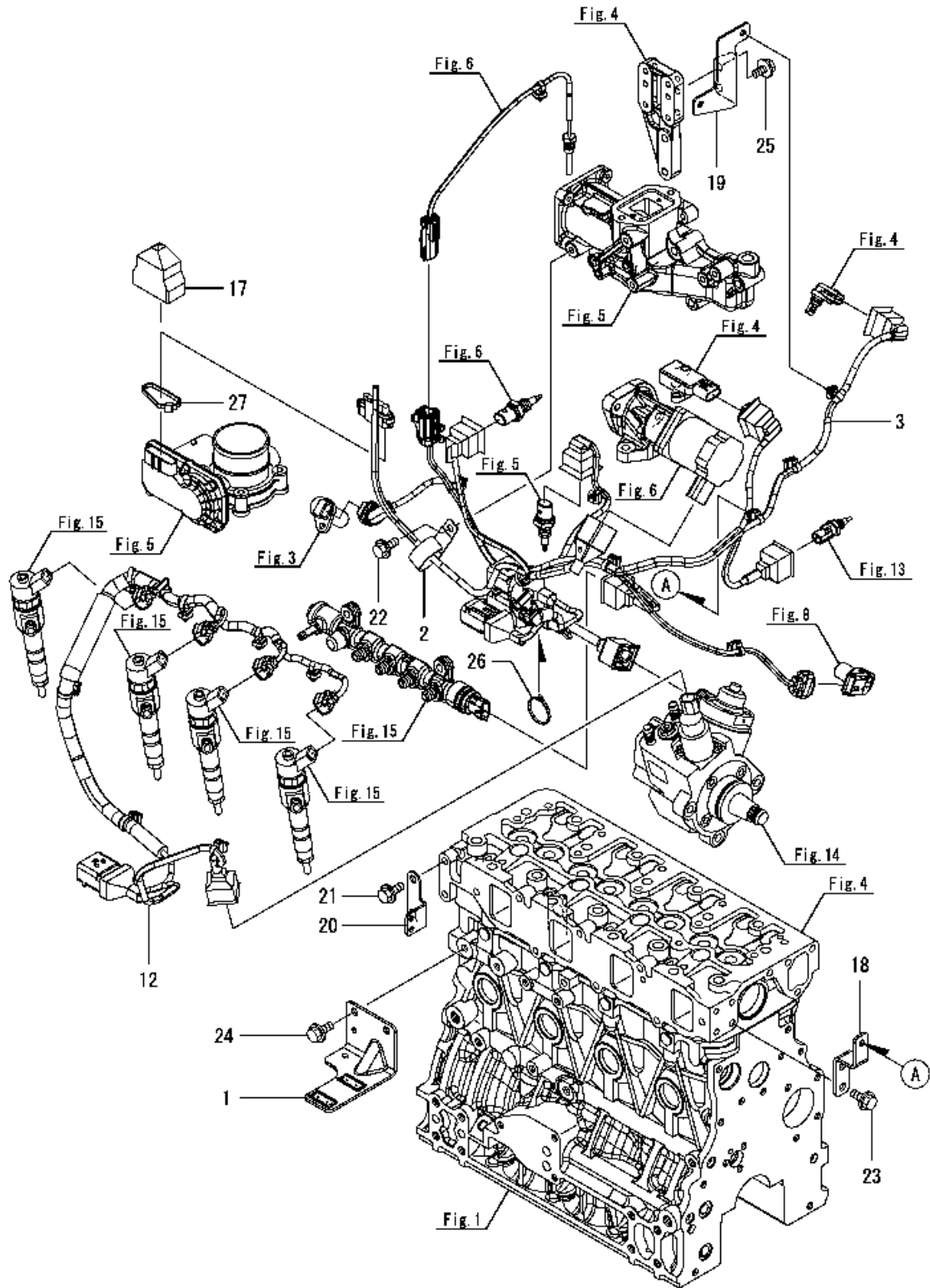
Item	Part No.	Name	Qty	Uom	Remarks	SERIAL NUMBER
40	Y129A00-91200	BAND, clip	1	EA		

ELECTRONIC CONTROL UNIT (ECU) Fig.19 ELECTRONIC CONTROL UNIT (ECU)



0CD11-@17700	T9. ELECTRONIC CONTROL UNIT (ECU)			
47NV06CT-PTB	1: 2012. Y2	2:	3:	4:

Item	Part No.	Name	Qty	Uom	Remarks	SERIAL NUMBER
1	Y129A00-75910	ECU ASSY, service (YANMAR)	1	EA	Service ECU When replacing this part, it is necessary to update the software of the ECU using the designated service tool. Please refer to the Service Manual for details.	

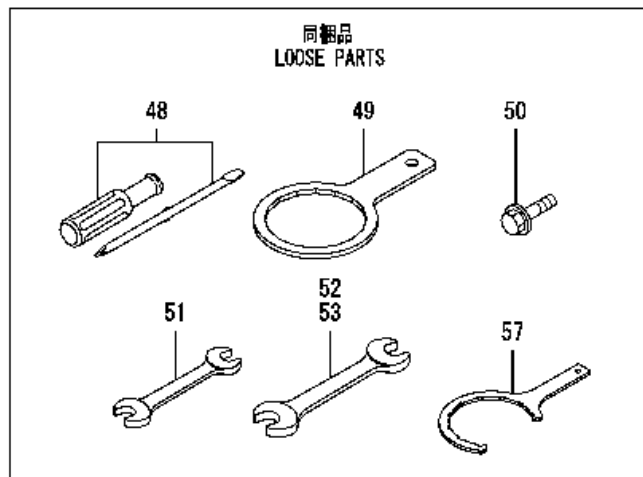
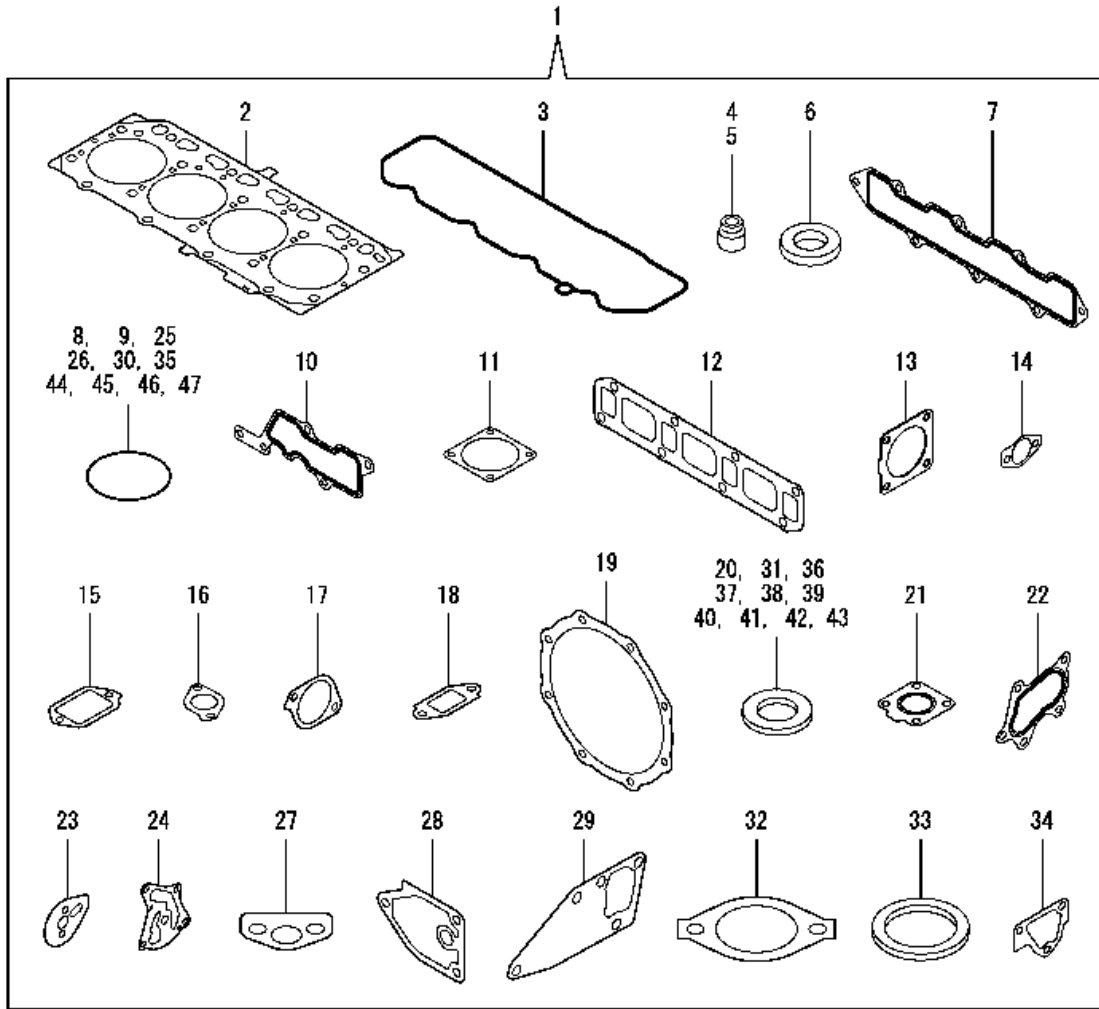


OCD11-M17701	20. ELECTRIC PARTS			
4TNV86CT-PTB/-PTB1	1: 2015. 09	2:	3:	4:

Fig.20

Item	Part No.	Name	Qty	Uom	Remarks	SERIAL NUMBER
1	Y129A00-77930	BRACKET, connector	1	EA		
2	Y129928-79700	CLAMP, 150-M8	1	EA		
3	Y129C01-91220	HARNESS, engine (B)	1	EA		
12	Y129C00-91232	HARNESS C, eco engine	1	EA		
17	Y129A00-91451	BOOT, cap type	1	EA		
18	Y129A01-91500	BRACKET, harness	1	EA		
19	Y129C01-91500	BRACKET, harness	1	EA		
20	Y129A00-91600	BRACKET, harness	1	EA		
21	Y26106-080122	BOLT, plated (M8X12)	2	EA		
22	Y26106-080122	BOLT, plated (M8X12)	1	EA		
23	Y26106-080122	BOLT, plated (M8X12)	2	EA		
24	Y26106-080122	BOLT, plated (M8X12)	2	EA		
25	Y26106-080142	BOLT, plated (M8X14)	2	EA		
26	Y29621-100000	BAND	1	EA		
27	Y29621-200000	BAND	1	EA		

GASKET SET Fig.21 GASKET SET



0CD71-M17701	21. GASKET SET			
4TNV86CT-PTB	1: 2015. 09	2:	3:	4:

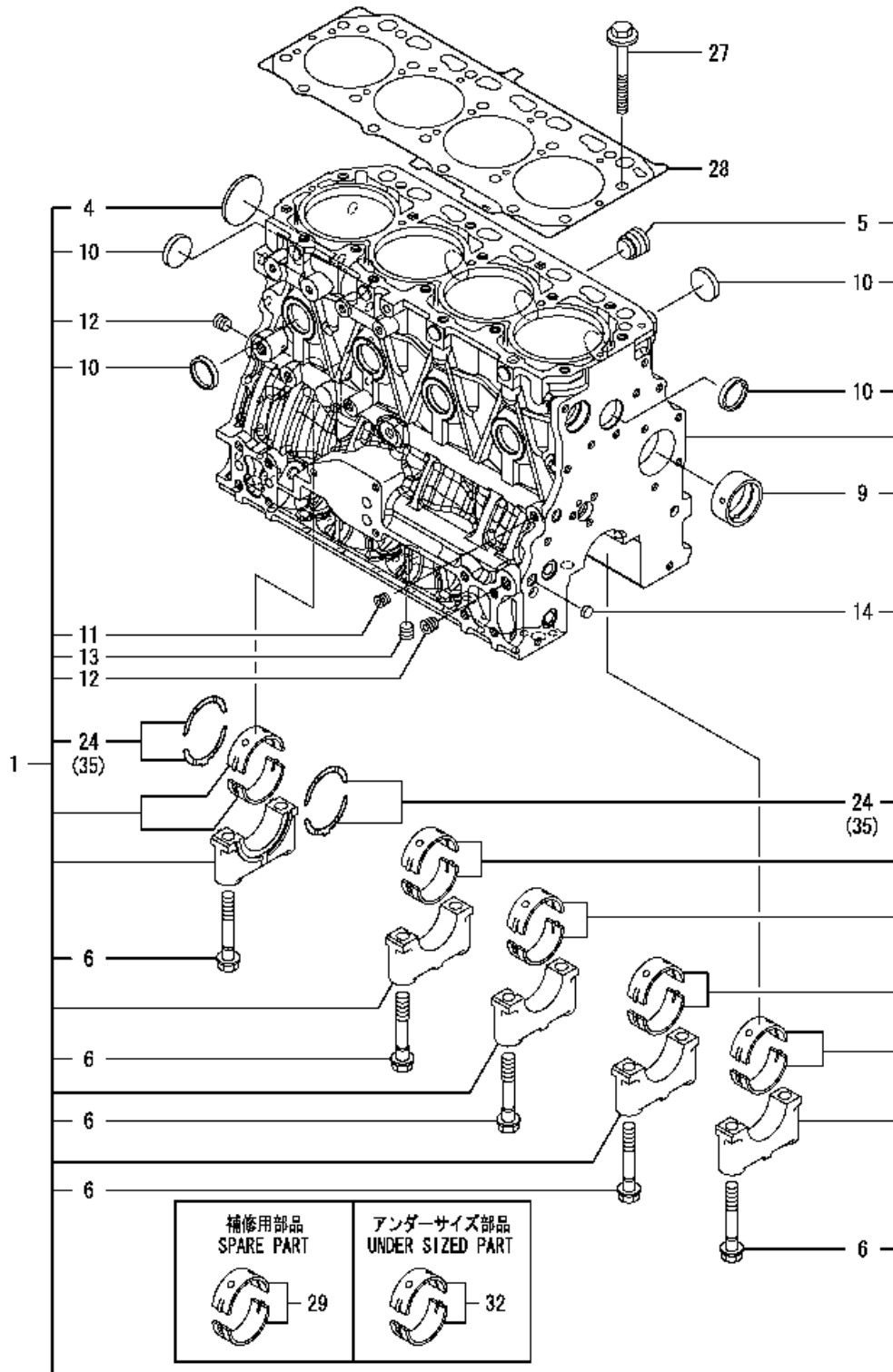
Fig.21

Item	Part No.	Name	Qty	Uom	Remarks	SERIAL NUMBER
1	Y129C30-92600	GASKET SET	1	EA	Optional parts.	
2	Y129C01-01331	GASKET, cylinder head	1	EA		
3	Y129C00-11310	GASKET, cover	1	EA		
4	Y124460-11340	SEAL, valve stem	4	EA		
5	Y129A00-11340	SEAL, valve stem	4	EA		
6	Y129978-11871	GASKET, injector	4	EA		
7	Y129C00-12110	GUIDE	1	EA		
8	Y129A00-12780	O-RING, pressure sensor	2	EA		
9	Y129A00-12790	O-RING, temp sensor	1	EA		
10	Y129A00-12810	GASKET, collector	1	EA		
11	Y129A00-12910	GASKET, throttle	2	EA		
12	Y129C00-13110	GASKET, exhaust manifold	1	EA		
13	Y129930-13201	GASKET, silencer	1	EA		
14	Y129A00-13410	GASKET (EGR COOLER)	2	EA		
15	Y129A00-13720	GASKET (EGR-V SPACER)	1	EA		
16	Y129927-13810	GASKET (EGR PIPE)	1	EA		
17	Y129A00-13910	GASKET, EGR-V (IN)	1	EA		
18	Y129A00-13920	GASKET, EGR-V (OUT)	1	EA		
19	Y129E00-16600	GASKET, DPF	2	EA		
20	Y129A00-17311	GASKET, sensor	4	EA		
21	Y129508-18080	GASKET	1	EA		
22	Y129508-18090	GASKET, turbocharger	1	EA		
23	Y129A00-25210	GASKET, idle shaft	1	EA		
24	Y129486-32020	GASKET	1	EA		
25	Y119609-32040	O-RING (P16)	2	EA		
26	Y119624-32040	O-RING P 12.0	1	EA		
27	Y129150-35042	GASKET	1	EA		
28	Y129150-35111	GASKET	1	EA		
29	Y129486-42021	GASKET, water pump	1	EA		
30	Y129486-42140	O-RING (CW-P)	1	EA		
31	Y124465-44950	GASKET (16)	1	EA		
32	Y129795-49551	GASKET	1	EA		
33	Y129150-49811	GASKET, thermostat	1	EA		
34	Y124395-49840	GASKET, thermostat	1	EA		
35	Y129A00-51900	O-RING, fuel pump	1	EA		
36	Y22190-080002	WASHER, seal (8S)	1	EA		
37	Y22190-100002	WASHER, seal (10S)	2	EA		
38	Y22190-120002	WASHER, seal (12)	1	EA		

This page intentionally left blank

Item	Part No.	Name	Qty	Uom	Remarks	SERIAL NUMBER
39	Y22190-140002	WASHER, seal (14S)	2	EA		
40	Y22190-220002	WASHER, seal (22)	1	EA		
41	Y23414-080000	GASKET (8 ROUND)	1	EA		
42	Y23414-100000	PACKING	2	EA		
43	Y23414-120000	GASKET 12, round	2	EA		
44	Y24311-000120	O-RING (1A P 12.0)	3	EA		
45	Y121420-01760	O-RING	3	EA		
46	Y24316-000160	O-RING (4D P-16.0)	1	EA		
47	Y24321-000600	O-RING 1A G60.0	1	EA		
48	Y104200-92350	SCREWDRIVER	1	EA		
49	Y119640-92750	WRENCH, filter	1	EA		
50	Y26106-080302	BOLT, plated (M8X30)	2	EA		
51	Y28110-100120	WRENCH (10 X 12)	1	EA		
52	Y28110-140170	WRENCH (14 X 17)	1	EA		
53	Y28110-140170	WRENCH (14 X 17)	1	EA		
57	Y129A00-92750	WRENCH, filter	1	EA		

CYLINDER BLOCK ASSY Fig.1 CYLINDER BLOCK

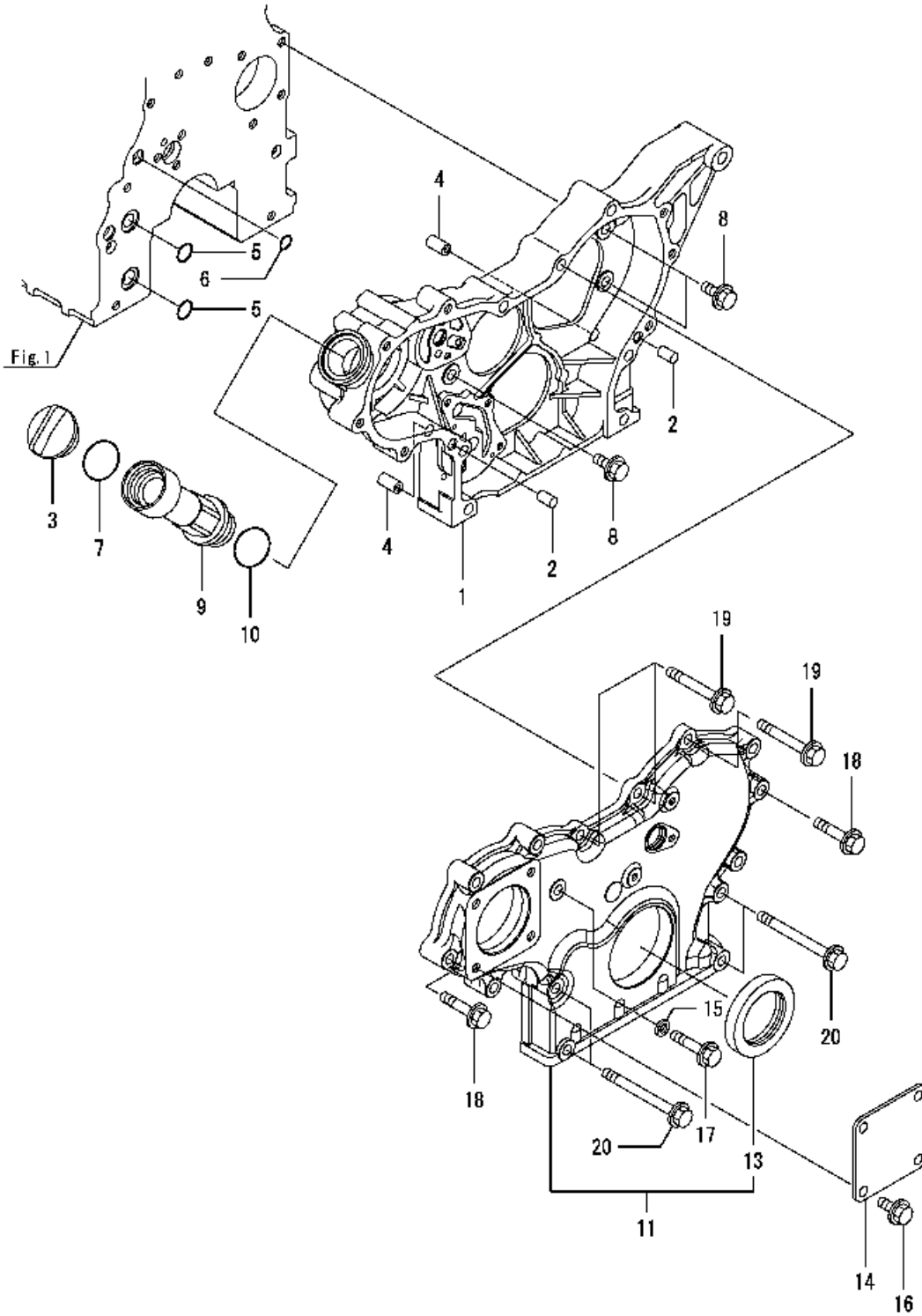


0CD71-M17701	1. CYLINDER BLOCK			
4TNV86CT-PTB/-PTB1	1: 2015. 09	2:	3:	4:

Fig.1

Item	Part No.	Name	Qty	Uom	Remarks	SERIAL NUMBER
1	Y129C01-01560	BLOCK ASSY, cylinder	1	EA		
4	Y129001-01250	PLUG (50 N)	1	EA		
5	Y171051-01921	PLUG	1	EA		
6	Y129150-02020	BOLT, metal cap	10	EA		
9	Y129795-02412	BUSH, camshaft	1	EA		
10	Y27243-300000	PLUG (30)	8	EA		
11	1501820001	PLUG	1	EA		
12	Y119600-01050	PLUG (PT1/4)	2	EA		
13	Y119600-01050	PLUG (PT1/4)	1	EA		
14	Y27241-120000	PLUG (12)	1	EA		
24	Y129150-02931	BEARING ASSY, thrust	2	EA		
27	Y129150-01200	BOLT, cylinder head	18	EA		
28	Y129C01-01331	GASKET, cylinder head	1	EA		
29	Y129001-02931	BEARING ASSY, main	5	EA	Spare parts.	
32	Y129150-02871	BEARING ASSY, main	5	EA	Under-sized(U.S.=0.25)part	
35	Y129150-02941	BEARING, thrust (0.25)	1	EA	Over-sized(O.S.=0.25)part.	

GEAR HOUSING Fig.2 GEAR HOUSING

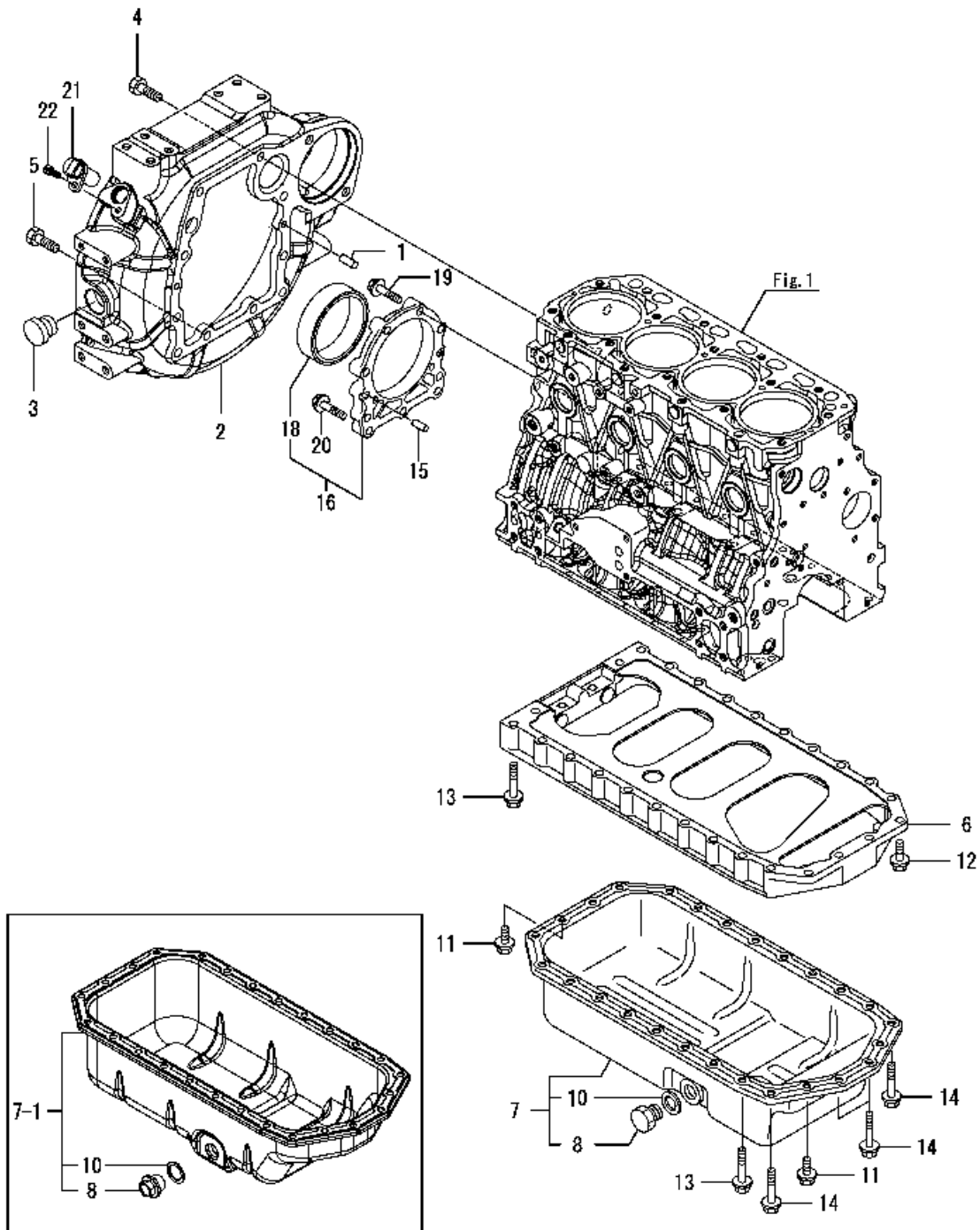


OCD11-M17701 2. GEAR HOUSING				
4TNV86CT-PTB/-PTB1	1: 2015. 09 2:	3:	4:	

Fig.2

Item	Part No.	Name	Qty	Uom	Remarks	SERIAL NUMBER
1	Y129A23-01500	CASE, gear	1	EA		
2	Y129100-01580	PIN, parallel (8X16)	2	EA		
3	Y124160-01751	CAP, filler	1	EA		
4	Y129795-01950	PIPE, dowel (L=18)	2	EA		
5	Y119609-32040	O-RING (P16)	2	EA		
6	Y119624-32040	O-RING P 12.0	1	EA		
7	Y121420-01760	O-RING	1	EA		
8	Y26106-080162	BOLT, plated (M8X16)	3	EA		
9	Y121027-11743	PIPE	1	EA		
10	Y121420-01760	O-RING	1	EA		
11	Y129A00-01550	COVER ASSY, gearcase	1	EA		
13	Y119934-01800	SEAL, oil	1	EA		
14	Y124240-01871	COVER, pump	1	EA		
15	Y22190-080002	WASHER, seal (8S)	1	EA		
16	Y26106-080162	BOLT, plated (M8X16)	4	EA		
17	Y26106-080352	BOLT, plated (M8X35)	1	EA		
18	Y26106-080402	BOLT, plated (M8X40)	7	EA		
19	Y26106-080602	BOLT, plated (M8X60)	3	EA		
20	Y26106-080852	BOLT (8X85)	4	EA		

FLYWHEEL HOUSING & OIL SUMP Fig.3 FLYWHEEL HOUSING & OIL SUMP

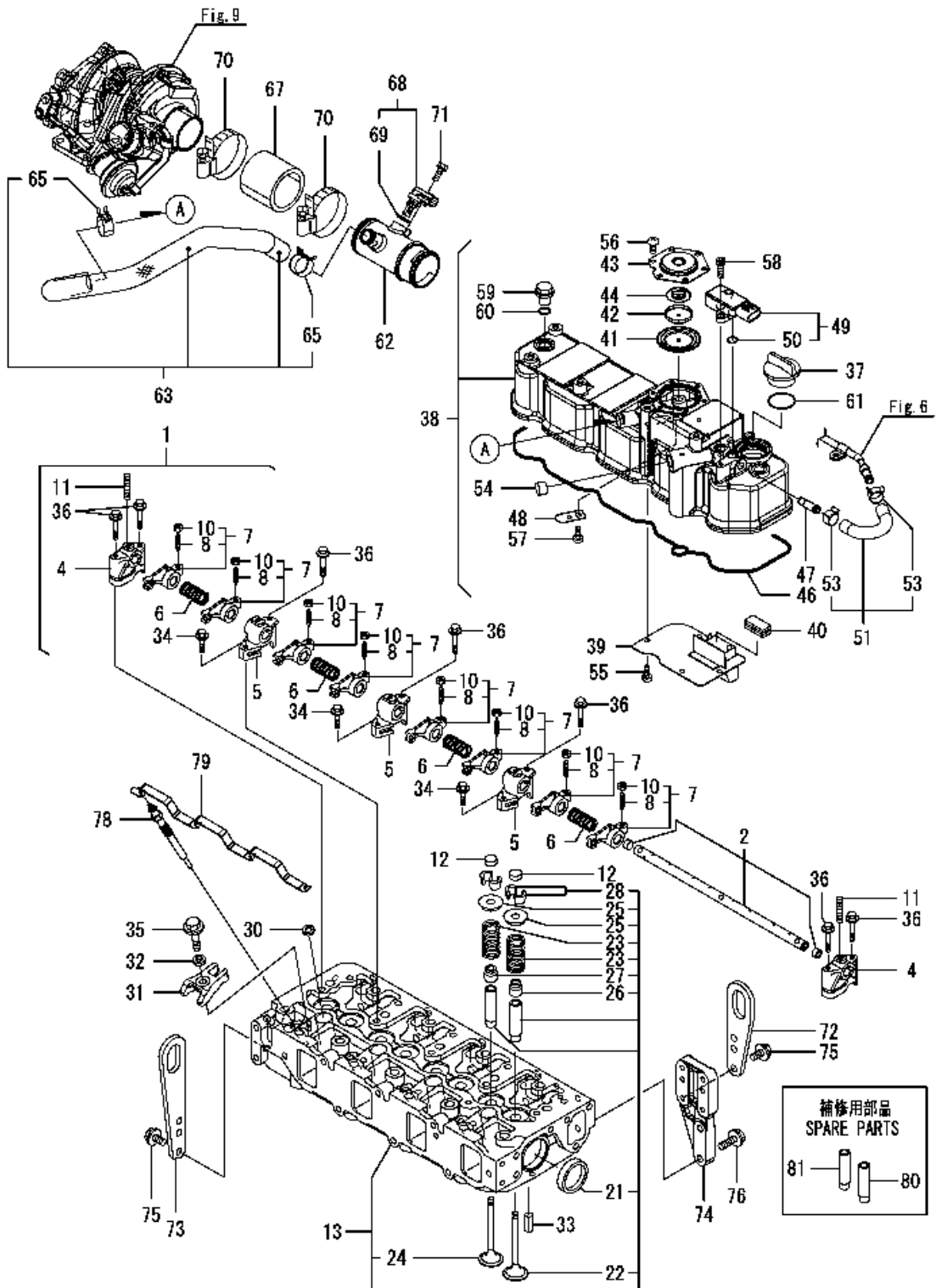


0CD71-M17701	3. FLYWHEEL HOUSING & OIL SUMP			
4TNV86CT-PTB/-PTB1	1: 2015. 09	2:	3:	4:

Fig.3

Item	Part No.	Name	Qty	Uom	Remarks	SERIAL NUMBER
1	Y129100-01580	PIN, parallel (8X16)	2	EA		
2	Y129A00-01602	HOUSING, flywheel	1	EA		
3	Y119620-01750	CAP	1	EA		
4	1100051025	BOLT (10TM10 X 25 P/1.5)	6	EA		
5	Y26206-100302	BOLT, plated (M10X30)	4	EA		
6	Y129400-01730	SPACER, oil sump	1	EA		
7	Y129400-01770	SUMP ASSY, lube oil	1	EA		
7-1	Y129688-01780	PAN ASSY, deep oil	1	EA		
8	Y119640-01640	PLUG, drain	1	EA		
10	Y22190-220002	WASHER, seal (22)	1	EA		
11	Y26106-080162	BOLT, plated (M8X16)	4	EA		
12	Y26106-080252	BOLT, plated (M8X25)	2	EA		
13	Y26106-080452	BOLT, plated (M8X45)	20	EA		
14	Y26106-080502	BOLT, plated (M8X50)	4	EA		
15	Y129100-01580	PIN, parallel (8X16)	2	EA		
16	Y729402-01650	SEAL, oil	1	EA		
18	Y129120-01780	SEAL, oil	1	EA		
19	Y129486-01670	BOLT, plated (M8X30)	6	EA		
20	Y26106-080352	BOLT, plated (M8X35)	3	EA		
21	Y129A00-21710	SENSOR, flywheel	1	EA	When replacing this part, it is necessary to update the software of the ECU using the designated service tool. Please refer to the Service Manual for details.	
22	Y26450-060162	BOLT (M6X16)	1	EA		

CYLINDER HEAD & BONNET Fig.4 CYLINDER HEAD & BONNET



OCD11-M17701	4. CYLINDER HEAD & BONNET	1: 2015. 09	2:	3:	4:
4TNV86CT-PTB1					

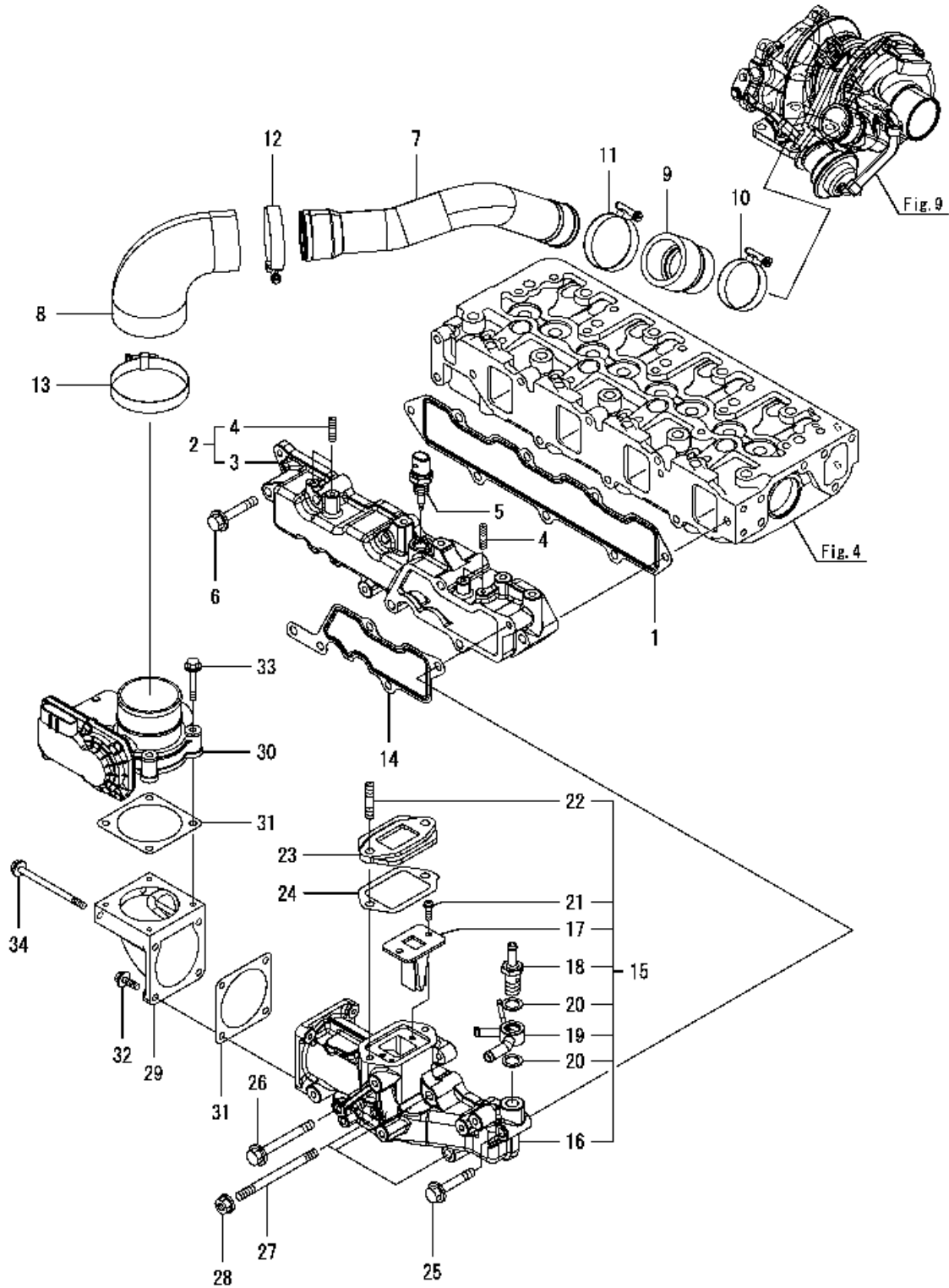
Fig.4

Item	Part No.	Name	Qty	Uom	Remarks	SERIAL NUMBER
1	Y129601-11241	SHAFT ASSY, rocker	1	EA		
2	Y129601-11251	SHAFT, rocker arm	1	EA		
4	Y119802-11260	SUPPORT, rocker arm	2	EA		
5	Y119802-11270	SUPPORT, rocker arm	3	EA		
6	Y129150-11280	SPRING, rocker	4	EA		
7	Y129004-11650	ARM ASSY, rocker	8	EA		
8	Y129150-11230	SCREW, valve	8	EA		
10	Y129150-11750	NUT, M8	8	EA		
11	Y26226-080182	STUD, plated (M8X18)	3	EA		
12	Y129150-11370	CAP, valve	8	EA		
13	Y129C01-11700	HEAD ASSY, cylinder	1	EA		
21	Y27241-400000	PLUG 40	2	EA		
22	Y129005-11100	VALVE, intake	4	EA		
23	Y129795-11120	SPRING, valve	8	EA		
24	Y129100-11130	VALVE, exhaust	4	EA		
25	Y129795-11180	SPRING, retainer	8	EA		
26	Y124460-11340	SEAL, valve stem	4	EA		
27	Y129A00-11340	SEAL, valve stem	4	EA		
28	Y27310-080001	COTTER, 8	8	EA		
30	Y129978-11871	GASKET, injector	4	EA		
31	Y129A00-11900	RETAINER, injector	4	EA		
32	Y120270-54410	WASHER	4	EA		
33	Y22351-060012	PIN, spring (6X12)	2	EA		
34	Y26106-080252	BOLT, plated (M8X25)	3	EA		
35	Y26106-080352	BOLT, plated (M8X35)	4	EA		
36	Y26106-080502	BOLT, plated (M8X50)	7	EA		
37	Y124160-01751	CAP, filler	1	EA		
38	Y129C01-11351	BONNET ASSY	1	EA		
39	Y129004-03010	PLATE, baffle	1	EA		
40	Y129150-03070	BAFFLE, breather	1	EA		
41	Y123907-03100	BREATHER, diaphragm	1	EA		
42	Y123907-03110	PLATE, center	1	EA		
43	Y123907-03120	PLATE, breather	1	EA		
44	Y123907-03140	SPRING, diaphragm	1	EA		
46	Y129C00-11310	GASKET, cover	1	EA		
47	Y129A00-11330	JOINT	1	EA		
48	Y129009-11340	PLATE, spring	1	EA		

This page intentionally left blank

Item	Part No.	Name	Qty	Uom	Remarks	SERIAL NUMBER
49	x*****.*****	SENSOR, pressure	1	EA	When replacing this part, it is necessary to update the software of the ECU using the designated service tool. Please refer to the Service Manual for details.	
50	Y129A00-12780	O-RING, pressure sensor	2	EA		
51	Y129A00-13360	HOSE ASSY, pressure exhaust	1	EA		
53	Y129A00-13380	CLIP, hose	2	EA		
54	Y119640-61400	CAP	1	EA		
55	Y22857-500100	SCREW, tapping (5X10)	4	EA		
56	Y22857-500100	SCREW, tapping (5X10)	6	EA		
57	Y22857-500100	SCREW, tapping (5X10)	1	EA		
58	Y26450-060162	BOLT (M6X16)	2	EA		
59	Y124160-11360	KNOB (LOOKS LIKE BOLT)	3	EA		
60	Y24311-000120	O-RING (1A P 12.0)	3	EA		
61	Y121420-01760	O-RING	1	EA		
62	Y129C01-03050	JOINT, breather	1	EA		
63	Y129C01-03080	HOSE ASSY, breather	1	EA		
65	Y129410-03990	CLAMP, hose (21.5)	2	EA		
67	Y129C01-12060	HOSE, intake	1	EA		
68	Y129A00-12711	SENSOR, air temp	1	EA		
69	Y129A00-12790	O-RING, temp sensor	1	EA		
70	Y23000-060000	CLAMP	2	EA		
71	Y26106-060162	BOLT, plated (M6X16)	1	EA		
72	Y119226-07900	LIFTER	1	EA		
73	Y129900-07900	LIFTER, engine	1	EA		
74	Y129C01-07910	SPACER, lifter	1	EA		
75	Y26106-080162	BOLT, plated (M8X16)	4	EA		
76	Y26106-080252	BOLT, plated (M8X25)	2	EA		
78	Y129008-77800	PLUG, glow	4	EA		
79	Y129C00-77820	CONNECTOR, glow plug	1	EA		
80	Y120130-11860	GUIDE	4	EA	Spare parts.	
81	Y129150-11810	VALVE, guide	4	EA	Spare parts.	

SUCTION MANIFOLD Fig.5 SUCTION MANIFOLD

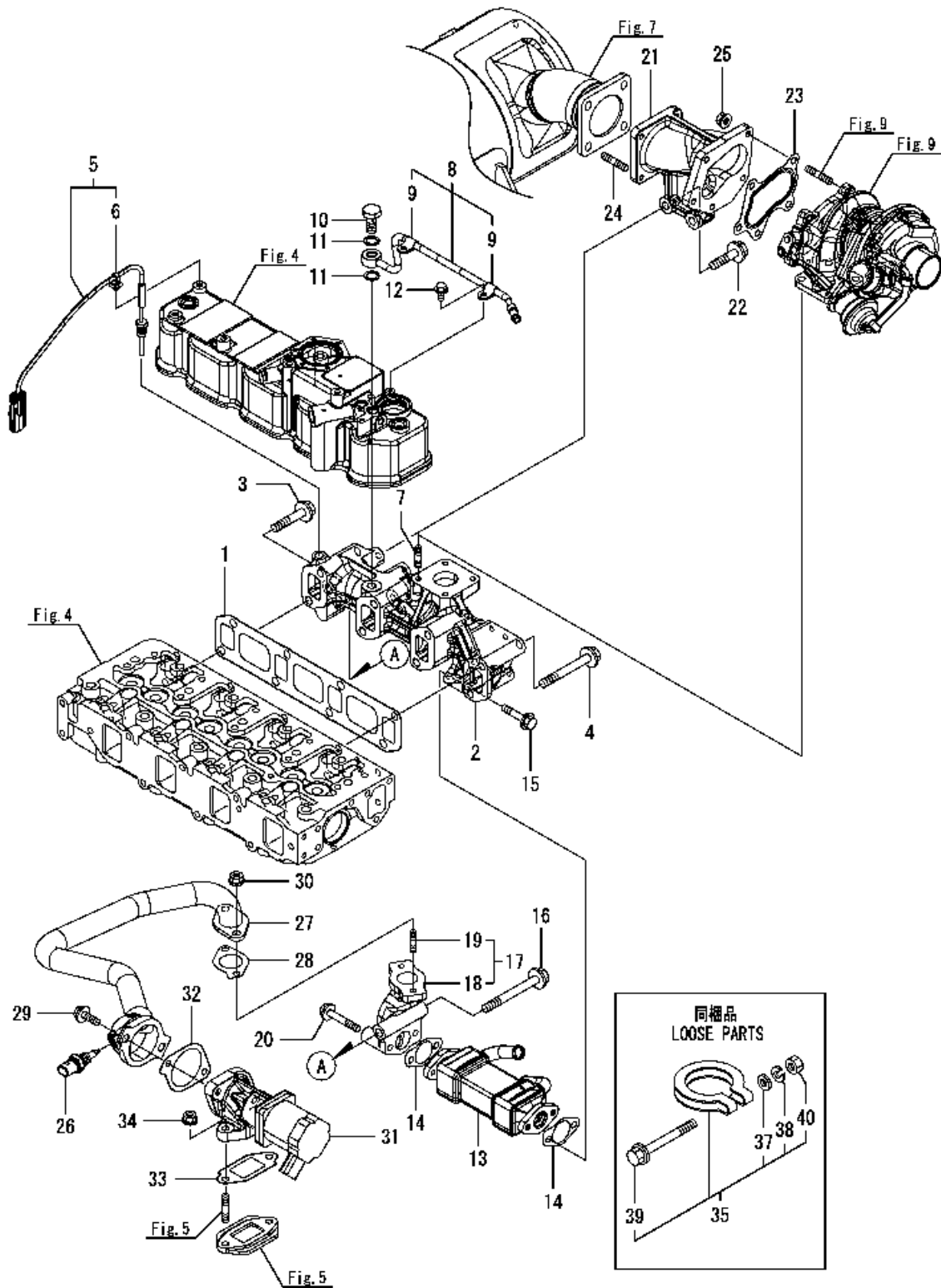


0CD11-M17701	5. SUCTION MANIFOLD			
4TNV86CT-PTB/-PTB1	1: 2015. 09	2:	3:	4:

Fig.5

Item	Part No.	Name	Qty	Uom	Remarks	SERIAL NUMBER
1	Y129C00-12110	GUIDE	1	EA		
2	Y129C01-12150	MANIFOLD, intake (COMPLETE)	1	EA		
3	Y129C01-12100	MANIFOLD, intake	1	EA		
4	Y26216-060202	STUD, plated (M6X20)	4	EA		
5	Y129A00-12720	SENSOR, air temp	1	EA	When replacing this part, it is necessary to update the software of the ECU using the designated service tool. Please refer to the Service Manual for details.	
6	Y26106-080502	BOLT, plated (M8X50)	5	EA		
7	Y129C01-18200	SUCTION, duct	1	EA		
8	Y129A01-18210	JOINT, rubber	1	EA		
9	Y129C01-18220	JOINT, rubber	1	EA		
10	Y23000-048000	CLAMP, hose	1	EA		
11	Y23000-054000	CLAMP (54)	1	EA		
12	Y23000-060000	CLAMP	1	EA		
13	Y23000-075000	CLAMP	1	EA		
14	Y129A00-12810	GASKET, collector	1	EA		
15	Y129A01-12851	COLLECTOR, INT CMP	1	EA		
16	Y129A01-12800	COLLECTOR, INT	1	EA		
17	Y129C01-13700	VALVE, reed	1	EA		
18	Y129A00-59110	JOINT, hose	1	EA		
19	Y129A00-59120	JOINT, hose	1	EA		
20	Y22190-140002	WASHER, seal (14S)	2	EA		
21	Y22857-500160	SCREW (5X16)	2	EA		
22	Y26216-080352	STUD, M8X 35	2	EA		
23	Y129A00-13710	SPACER (EGR VALVE)	1	EA		
24	Y129A00-13720	GASKET (EGR-V SPACER)	1	EA		
25	Y26106-080502	BOLT, plated (M8X50)	1	EA		
26	Y26106-080752	BOLT (8X75)	1	EA		
27	Y26216-081052	STUD	3	EA		
28	Y26306-080002	NUT	3	EA		
29	Y129A00-12820	BEND, inlet	1	EA		
30	Y129A00-12900	BODY, throttle	1	EA	When replacing this part, it is necessary to update the software of the ECU using the designated service tool. Please refer to the Service Manual for details.	
31	Y129A00-12910	GASKET, throttle	2	EA		
32	Y26106-060202	BOLT, plated (M6X20)	2	EA		
33	Y26106-060402	BOLT, plated (M6X40)	4	EA		
34	Y26106-060902	BOLT	2	EA		

EXHAUST MANIFOLD Fig.6 EXHAUST MANIFOLD



0CD11-M17701	6. EXHAUST MANIFOLD			
4TNV86CT-PTB/-PTB1	1: 2015. 09	2:	3:	4:

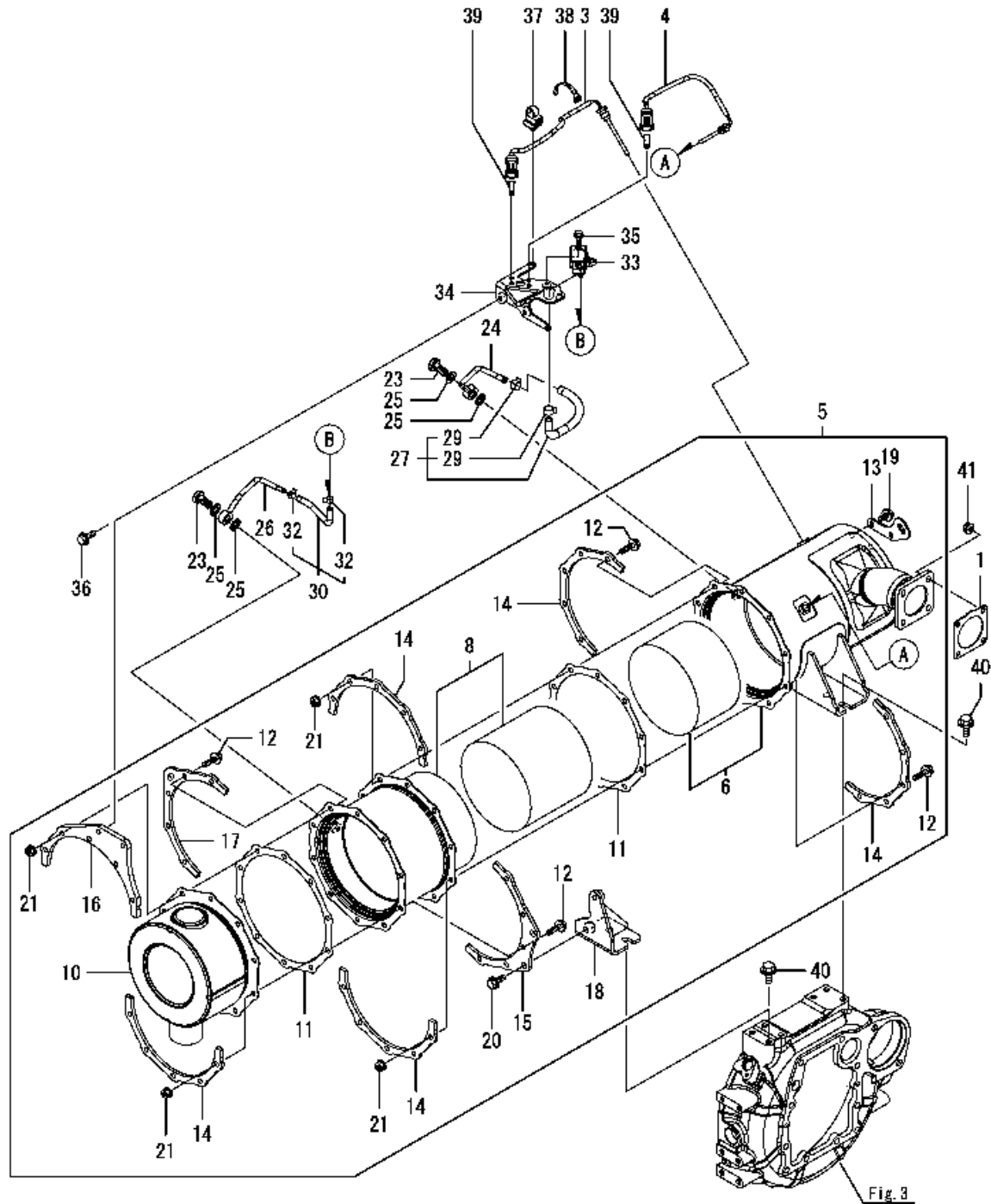
Fig.6

Item	Part No.	Name	Qty	Uom	Remarks	SERIAL NUMBER
1	Y129C00-13110	GASKET, exhaust manifold	1	EA		
2	Y129C01-13110	MANIFOLD, exhaust	1	EA		
3	Y129A01-13601	BOLT (M10X50) (10.9T)	1	EA		
4	Y129F01-13630	BOLT (M10X80) (10.9T)	7	EA		
5	Y129C01-13770	SENSOR, exhaust temperature	1	EA	When replacing this part, it is necessary to update the software of the ECU using the designated service tool. Please refer to the Service Manual for details.	
6	Y129A00-91200	BAND, clip	1	EA		
7	Y129418-18320	BOLT, stud (M 8 X 20)	4	EA		
8	Y129A00-13300	PIPE ASSY, exhaust	1	EA		
9	Y23297-080061	CLAMP	2	EA		
10	Y129A00-13350	BOLT, pipe joint	1	EA		
11	Y23414-120000	GASKET 12, round	2	EA		
12	Y26106-060122	BOLT, plated (M6X12)	2	EA		
13	Y129A00-13400	COOLER, EGR	1	EA		
14	Y129A00-13410	GASKET (EGR COOLER)	2	EA		
15	Y129E00-13620	BOLT (M8X40) (10.9T)	2	EA		
16	Y129F01-13600	BOLT (M10X90) (10.9T)	1	EA		
17	Y129A00-13851	PIPE, EGR (OUT) (COMPLETE)	1	EA		
18	Y129A00-13861	PIPE, EGR (OUT)	1	EA		
19	Y129418-18320	BOLT, stud (M 8 X 20)	2	EA		
20	Y26106-080502	BOLT, plated (M8X50)	2	EA		
21	Y129C01-13350	PIPE, exhaust	1	EA		
22	Y129F01-13650	BOLT (M10X40) (10.9T)	2	EA		
23	Y129508-18090	GASKET, turbocharger	1	EA		
24	Y119131-18320	BOLT (M8X22)	4	EA		
25	Y26306-080002	NUT	5	EA		
26	Y129A00-13751	SENSOR, EGR (GAS TEMP)	1	EA	When replacing this part, it is necessary to update the software of the ECU using the designated service tool. Please refer to the Service Manual for details.	
27	Y129C00-13800	PIPE, EGR (COMPLETE)	1	EA		
28	Y129927-13810	GASKET (EGR PIPE)	1	EA		
29	Y26106-080252	BOLT, plated (M8X25)	2	EA		
30	Y26306-080002	NUT	2	EA		
31	Y129C00-13901	VALVE, EGR	1	EA	When replacing this part, it is necessary to update the software of the ECU using the designated service tool. Please refer to the Service Manual for details.	

This page intentionally left blank

Item	Part No.	Name	Qty	Uom	Remarks	SERIAL NUMBER
32	Y129A00-13910	GASKET, EGR-V (IN)	1	EA		
33	Y129A00-13920	GASKET, EGR-V (OUT)	1	EA		
34	Y26306-080002	NUT	2	EA		
35	Y129640-13590	CLAMP ASSY, silencer	1	EA		
37	Y22117-100000	WASHER 10	1	EA		
38	Y22217-100000	WASHER, spring (10)	1	EA		
39	Y26106-100652	BOLT (M10X65) (PLATED)	1	EA		
40	Y26706-100002	NUT (M10)	1	EA		

DIESEL PARTICULATE FILTER (DPF) Fig.7 DIESEL PARTICULATE FILTER (DPF)



OCD11-M17701	7. DIESEL PARTICULATE FILTER (DPF)			
4TNV86CT-PTB†	1: 2015. 09	2:	3:	4:

Fig.7

Item	Part No.	Name	Qty	Uom	Remarks	SERIAL NUMBER
1	Y129930-13201	GASKET, silencer	1	EA		
3	Y129C00-13940	SENSOR, exhaust temperature	1	EA	When replacing this part, it is necessary to update the software of the ECU using the designated service tool. Please refer to the Service Manual for details., When exhaust temperature sensor or pressure sensor are replaced. Although there is no need to rewrite the ECU, it is necessary to perform DPF regeneration processing	
4	Y129C00-13950	SENSOR, exhaust temperature	1	EA	When replacing this part, it is necessary to update the software of the ECU using the designated service tool. Please refer to the Service Manual for details., When exhaust temperature sensor or pressure sensor are replaced. Although there is no need to rewrite the ECU, it is necessary to perform DPF regeneration processing	
5	Y129C30-16030	DPF ASSY	1	EA	When replacing this part, it is necessary to update the software of the ECU using the designated service tool. Please refer to the Service Manual for details.	
6	Y129C01-16200	CASE, DOC	1	EA	When replacing this part, it is necessary to update the software of the ECU using the designated service tool. Please refer to the Service Manual for details.	
8	Y129C01-16400	CASE, soot filter (DOESNT INCLUDE GASKETS)	1	EA	When replacing this part, it is necessary to update the software of the ECU using the designated service tool. Please refer to the Service Manual for details.	
10	Y129E00-16500	SILENCER, DPF	1	EA		
11	Y129E00-16600	GASKET, DPF	2	EA		
12	Y129A00-16610	BOLT	20	EA		
13	Y129C01-16680	LIFTER, DPF	1	EA		
14	Y129C01-16700	STIFFENER, DPF A	5	EA		
15	Y129C01-16710	STIFFENER, DPF B	1	EA		
16	Y129C01-16730	STIFFENER, DPF C	1	EA		
17	Y129C01-16740	STIFFENER, DPF C	1	EA		
18	Y129C01-16800	STAY, DPF	1	EA		
19	Y26106-080142	BOLT, plated (M8X14)	2	EA		
20	Y26106-100222	BOLT, plated (M10X22)	2	EA		
21	Y26306-080002	NUT	20	EA		
23	Y129A00-13350	BOLT, pipe joint	2	EA		
24	Y129E00-17300	PIPE ASSY, pressure exhaust	1	EA		
25	Y129A00-17311	GASKET, sensor	4	EA		
26	Y129E00-17350	PIPE ASSY, pressure exhaust	1	EA		

This page intentionally left blank

Item	Part No.	Name	Qty	Uom	Remarks	SERIAL NUMBER
27	Y129C00-17600	HOSE ASSY, pressure exhaust	1	EA		
29	Y129A00-17520	CLIP, hose	2	EA		
30	Y129A00-17650	HOSE ASSY, pressure exhaust	1	EA		
32	Y129A00-17570	CLIP, hose	2	EA		
33	x*****_*****	SENSOR, pressure	1	EA	When replacing this part, it is necessary to update the software of the ECU using the designated service tool. Please refer to the Service Manual for details.	
34	Y129A00-17760	BRACKET, pressure sensor	1	EA		
35	Y26106-060162	BOLT, plated (M6X16)	2	EA		
36	Y26106-080202	BOLT, plated (M8X20)	2	EA		
37	Y129A00-91200	BAND, clip	1	EA		
38	Y129C00-91200	BAND	1	EA		
39	Y129A00-91430	CLIP, connector	2	EA		
40	Y26106-100202	BOLT, plated (M10X20)	4	EA		
41	Y26306-080002	NUT	4	EA		

Takeuchi DPF Cleaning Program

Takeuchi is pleased to provide an economical alternative to costly filter replacement. The Takeuchi DPF Cleaning Program provides dealers the ability to send in dirty diesel particulate filters and have them professionally cleaned of ash buildup. The cleaning process will remove approximately 98% of the ash deposits, allowing customers to reuse filters in a cost effective manner. DPFs must be cleaned at 3,000 hours or less per manufacturer recommendations. No exchanges or swap outs, your filters will be returned to you.

Step-by-Step Instructions:

Fill out DPF Cleaning Order Form: The Takeuchi DPF Cleaning Order Form is attached and should be completed and included with the returned DPF filter. Information on the form includes: dealer return shipment address, return shipment method, PO number, dealer representative contact information, and signature authorization. This form can also be downloaded from the Takeuchi Parts Portal Document Library.

Shipping: Dealer is responsible for shipping the dirty DPF to Takeuchi utilizing pre-paid freight. DPFs shipped to Takeuchi freight collect will be refused and sent back to the dealer. DPF shipment should be addressed as follows:

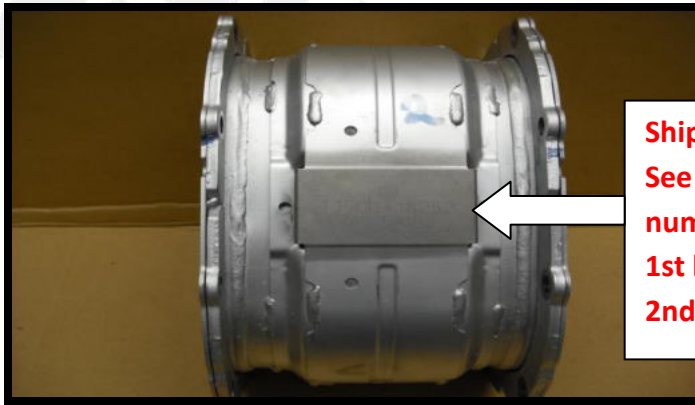
DPF Cleaning Technologies, Inc.
ATTN: Takeuchi DPF Cleaning Program
140A Auburn Park Drive
Auburn, GA 30011

Inspection and Cleaning: The DPF will be visually inspected for any cracks or damage. If damage is found, the dealer will be contacted for further guidance. If no damage is found, DPF will be thoroughly cleaned using a professional baking process. Once cleaning is complete, the DPF will be tested to ensure proper function. We will provide a quick turn-a-round, with product being cleaned and shipped within one (2) standard business days from receipt.

Pricing and Return Shipping: DPF Cleaning is **\$250** per filter. Takeuchi will ship the cleaned DPF back to the dealer via UPS Next Day Air, 2nd Day Air, or Ground Service based on the shipping method selected by the dealer on the Takeuchi DPF Cleaning Order Form. Return freight charges will be pre-paid and added to the invoice charged to the dealer's open parts account.

Price does not include any hardware, gaskets, clamps, or shop supplies utilized for removal and replacement of the DPF in the machine. Price does not include our standard \$7.50 per package shipping fee, fuel surcharges, or special delivery fees and charges that may apply.

Please note that the entire assembly should not be sent to Takeuchi for cleaning. It is the dealer's responsibility to disassemble and ship ONLY the DPF section as shown below.



**Ship DPF Core Section Only.
See Plate for part and serial
number information.
1st line is part #.
2nd line is serial #.**

The used DPF should be properly packaged by the dealer for shipment to Takeuchi. Please see example packaging below.

It is recommended that package is insured for full replacement value in case of loss or damage by the carrier. Takeuchi is not responsible for any loss or damage caused by the carrier or any loss or damage due to improper shipping or packaging by the dealer. Please see example packaging below.



- Seal the removed DPF filter comp with a plastic bag as shown in the photograph, so the ash will not escape during shipment.
- Put a cushioning material in the bottom, sides, and top of the cardboard box.
- Put "FRAGILE" sticker on the cardboard box.
- Ship Prepaid Freight to the address on the DPF cleaning form.
- Recommend insuring package with carrier for full replacement value in case of loss or damage to package.

If you have any questions, please contact the Takeuchi Service Department at 706-693-3600.

DPF Cleaning Order Form

Please fill out this form completely and return with the DPF filter to:

DPF Cleaning Technologies, Inc.
ATTN: Takeuchi DPF Cleaning Program
140A Auburn Park Drive
Auburn, GA 30011

Note: Disassemble and send the center section of the DPF assembly only. Sending the complete DPF assembly will result in additional charges for disassembly.

<i>DEALERSHIP CONTACT INFORMATION</i>	
Dealer Name	
Dealer Account Number (Parts)	
Dealer Contact Name / Phone Number	
Ship to Address	
City, State, Zip	
Purchase Order Number	

<i>MACHINE INFORMATION</i>	
Model Number	
Serial Number	
Machine Hours	
DPF Serial Number (side of DPF)	

Return Freight will be pre-paid and added to the final invoice.

Return Freight Options:

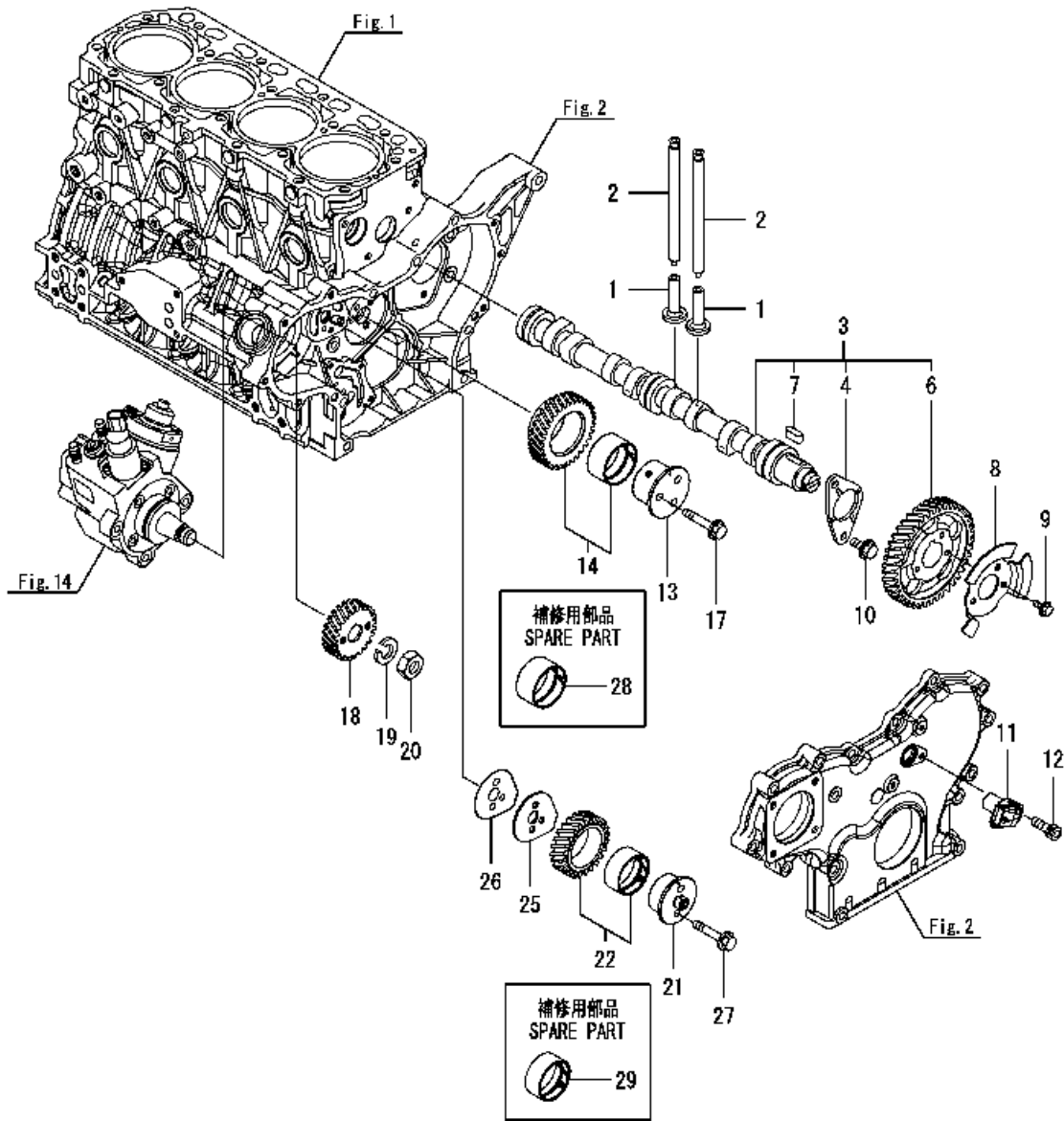
UPS Next Day Air
UPS 2nd Day Air
UPS Ground

Date: _____

Authorized Signature: _____

This page intentionally left blank

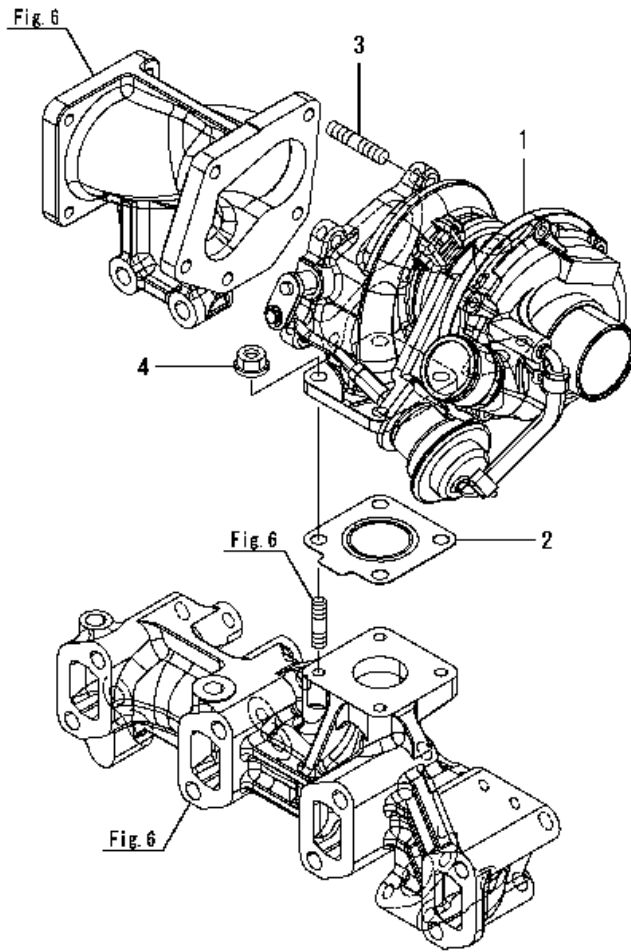
CAMSHAFT & DRIVING GEAR Fig.8 CAMSHAFT & DRIVING GEAR



DCD11-M17701	8. CAMSHAFT & DRIVING GEAR			
4TNV86CT-PTB/-PTB1	1: 2015. 09 2:	3:	4:	

Fig.8

Item	Part No.	Name	Qty	Uom	Remarks	SERIAL NUMBER
1	Y129150-14200	TAPPET	8	EA		
2	Y129150-14400	ROD, push	8	EA		
3	Y129C00-14580	CAMSHAFT ASSY	1	EA		
4	Y129150-02450	BEARING, thrust	1	EA		
6	Y129A00-14100	GEAR, camshaft	1	EA		
7	Y22512-070140	KEY (7X14)	1	EA		
8	Y129A00-14700	PULSER, camshaft	1	EA		
9	Y26106-060102	BOLT, plated (6X10)	3	EA		
10	Y26106-080142	BOLT, plated (M8X14)	2	EA		
11	Y129A00-14710	SENSOR, gear	1	EA		
12	Y26450-060162	BOLT (M6X16)	1	EA		
13	Y129A00-25050	SHAFT, idle gear	1	EA		
14	Y129A00-25110	GEAR ASSY, idle	1	EA		
17	Y26106-080452	BOLT, plated (M8X45)	3	EA		
18	Y129A00-25900	GEAR, supply pump	1	EA		
19	Y22217-180000	WASHER, spring	1	EA		
20	Y26776-180002	NUT, lock	1	EA		
21	Y129A00-25060	SHAFT, idle gear	1	EA		
22	Y129A00-25120	GEAR ASSY, idle	1	EA		
25	Y129A00-25200	PLATE, idle shaft	1	EA		
26	Y129A00-25210	GASKET, idle shaft	1	EA		
27	Y26106-080402	BOLT, plated (M8X40)	2	EA		
28	Y119802-25071	BUSH, idle gear	1	EA	Spare parts.	
29	Y129A00-25080	BUSH	1	EA	Spare parts.	

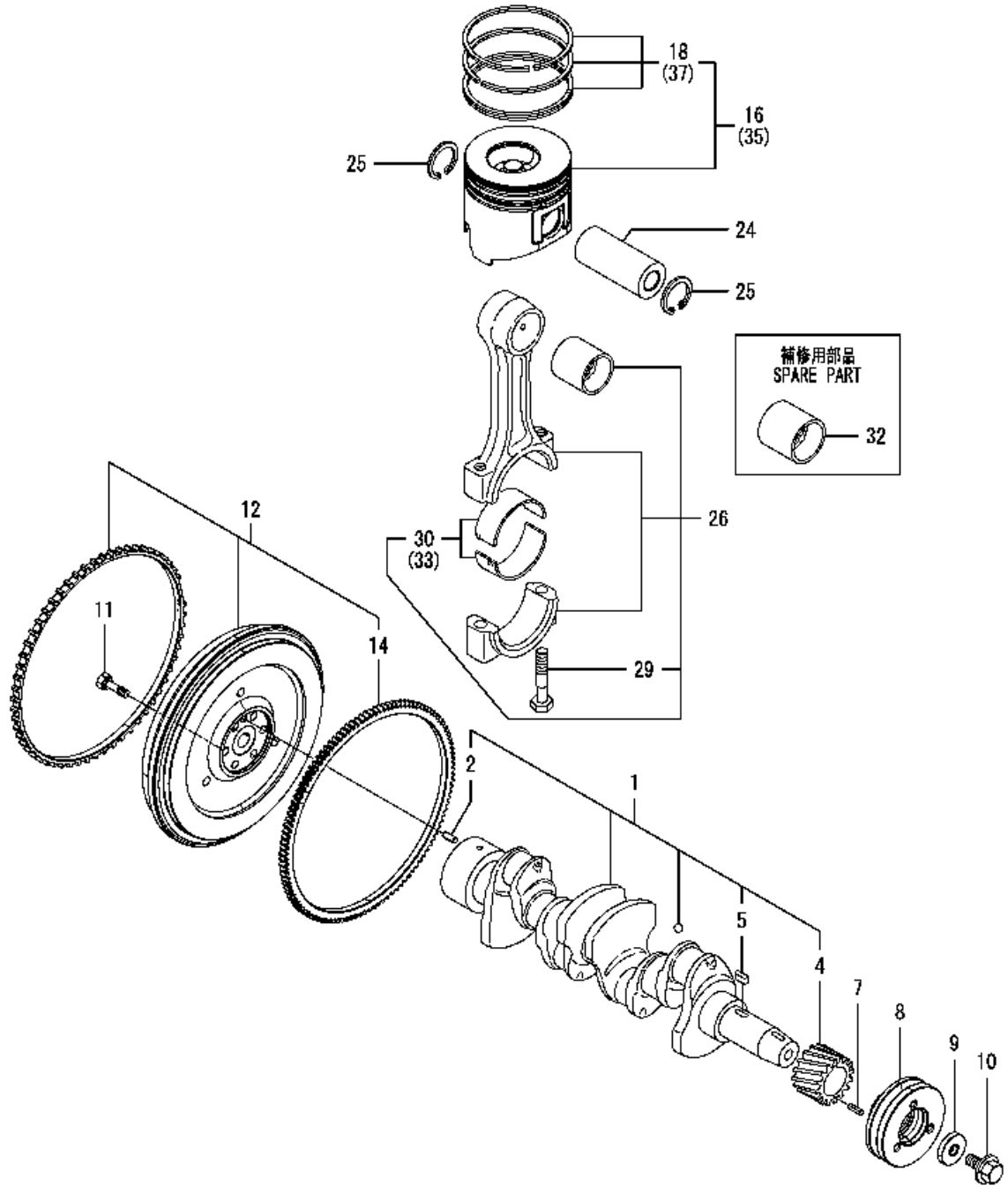


0CD71-M17701	9. TURBINE			
4TNV86CT-PTB/-PTB1	1: 2015. 09	2:	3:	4:

Fig.9

Item	Part No.	Name	Qty	Uom	Remarks	SERIAL NUMBER
1	Y129C01-18010	TURBINE ASSY (RHF4)	1	EA		
2	Y129508-18080	GASKET	1	EA		
3	Y119131-18320	BOLT (M8X22)	5	EA		
4	Y26306-080002	NUT	4	EA		

CRANKSHAFT & PISTON Fig.10 CRANKSHAFT & PISTON

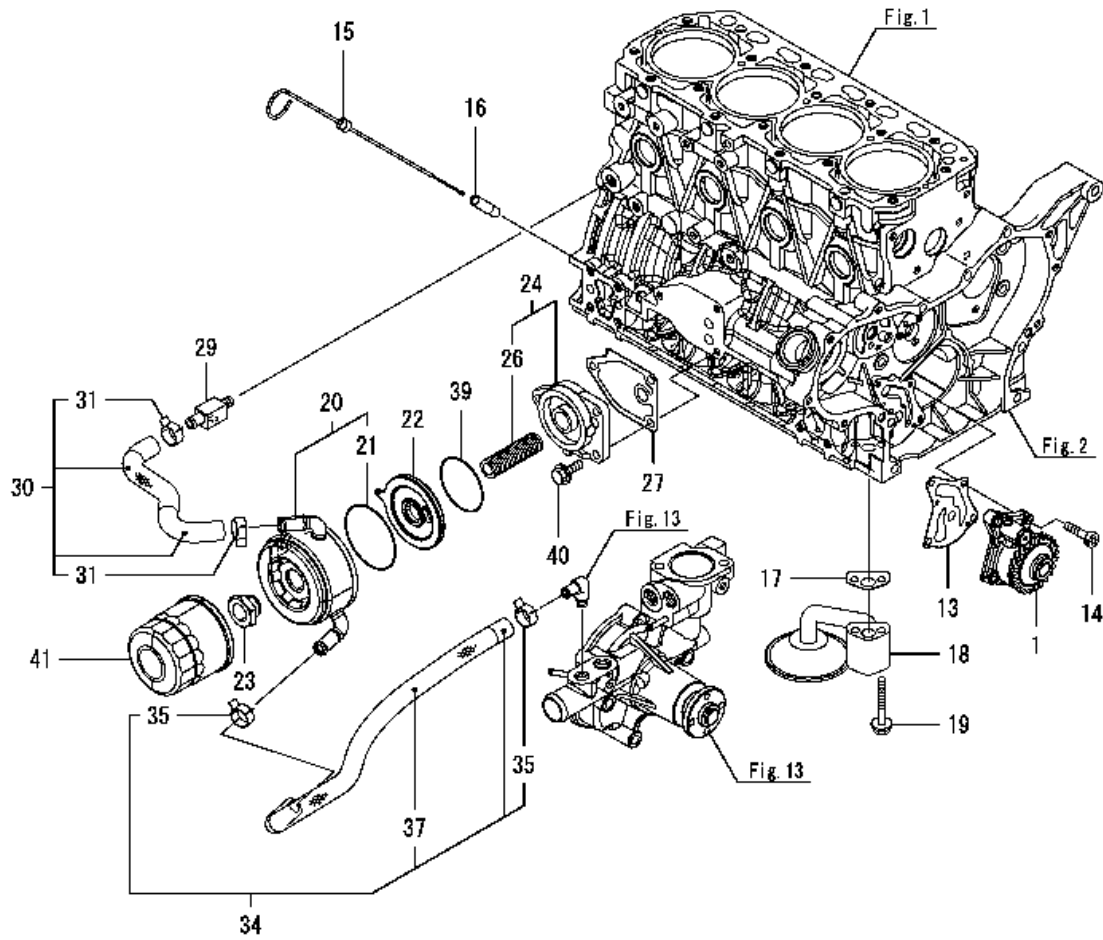


0CD11-M17701	10. CRANKSHAFT & PISTON			
4TNV86CT-PTB/-PTB1	1: 2015. 09	2:	3:	4:

Fig.10

Item	Part No.	Name	Qty	Uom	Remarks	SERIAL NUMBER
1	Y129509-21000	CRANKSHAFT ASSY	1	EA		
2	Y129100-01580	PIN, parallel (8X16)	1	EA		
4	Y119803-21200	GEAR, crankshaft	1	EA		
5	Y22512-070140	KEY (7X14)	1	EA		
7	Y22351-030010	PIN, spring (3X10)	1	EA		
8	Y119802-21650	V-PULLEY, crankshaft	1	EA		
9	Y129795-21661	WASHER	1	EA		
10	Y121850-21680	BOLT, V-PULLEY	1	EA		
11	Y121111-21501	BOLT, flywheel	6	EA		
12	Y129C30-21580	FLYWHEEL ASSY	1	EA		
14	Y119865-21600	GEAR, ring	1	EA		
16	Y129A01-22080	PISTON ASSY	4	EA		
18	Y129A01-22500	RING ASSY, piston	4	EA		
24	Y129202-22300	PIN, piston	4	EA		
25	Y22252-000260	RING, snap	8	EA		
26	Y729402-23100	ROD ASSY, connecting	4	EA		
29	Y121550-23200	BOLT, rod	8	EA		
30	Y129150-23601	BEARING, crank pin	4	EA		
32	Y129100-23910	PIN, bushing piston (3T84)	4	EA	Spare parts.	
33	Y129150-23611	METAL PIN US-.25	4	EA	Under-sized(U.S.=0.25)part	
35	Y129A01-22900	PISTON ASSY (OS=0.25)	4	EA	Over-sized(O.S.=0.25)part.	
37	Y129A01-22950	RING ASSY, 0.25OS	4	EA	Over-sized(O.S.=0.25)part.	

LUBE OIL SYSTEM Fig.11 LUB.OIL SYSTEM

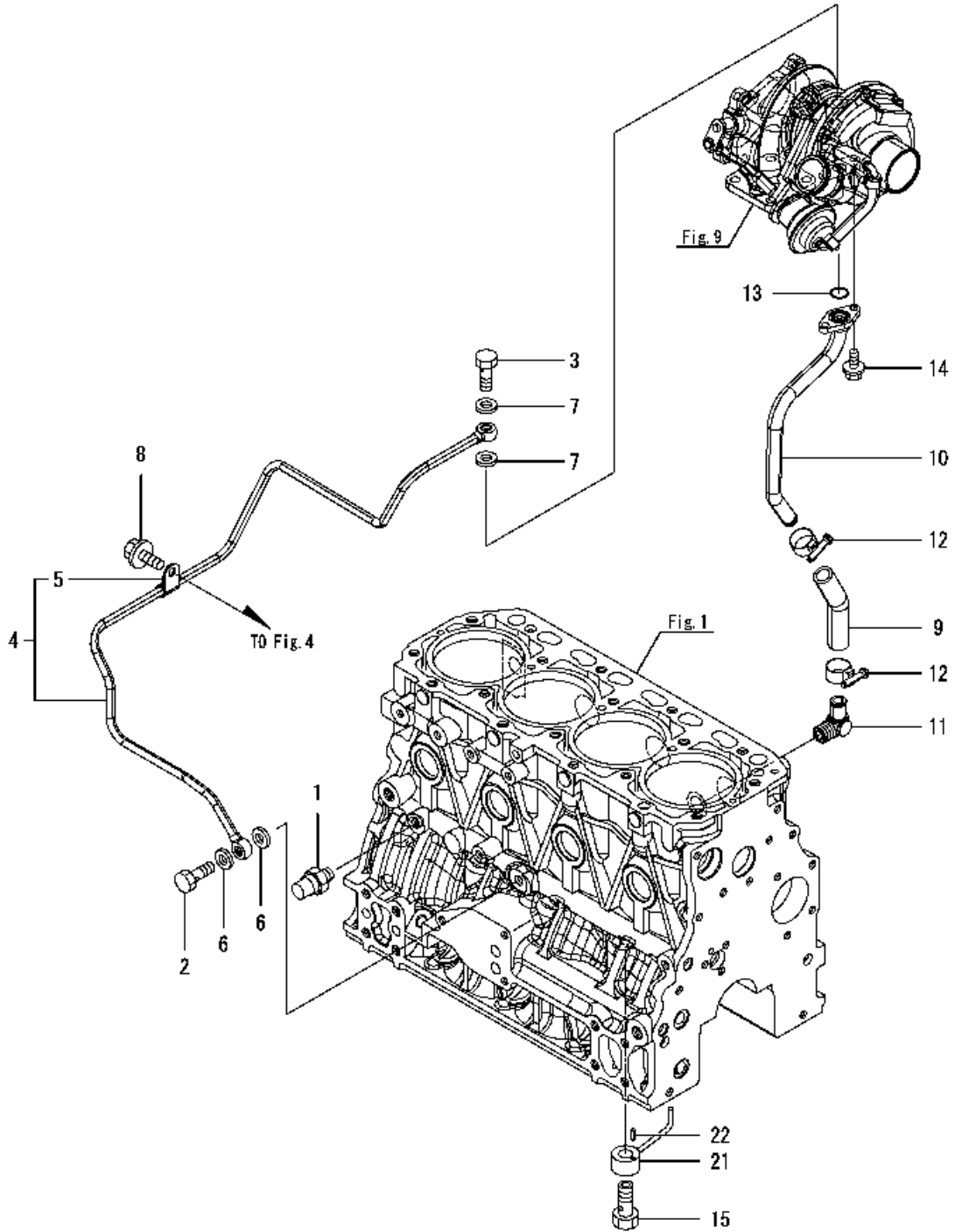


OCD11-M17701	17. LUB. OIL SYSTEM			
4TNV86CT-PTB/-PTB1	1: 2015. 09	2:	3:	4:

Fig.11

Item	Part No.	Name	Qty	Uom	Remarks	SERIAL NUMBER
1	Y129A01-32000	PUMP ASSY, lub oil	1	EA		
13	Y129486-32020	GASKET	1	EA		
14	Y26450-060252	BOLT (M6X25)	4	EA		
15	Y129004-34802	DIPSTICK	1	EA		
16	Y121520-34810	GUIDE, dipstick	1	EA		
17	Y129150-35042	GASKET	1	EA		
18	Y129436-35070	PIPE	1	EA		
19	Y26106-080552	BOLT, plated (M8X55)	2	EA		
20	Y129908-33010	COOLER ASSY, oil	1	EA		
21	Y123912-33050	O-RING	1	EA		
22	Y129C01-33100	BRACKET, lub oil cooler	1	EA		
23	Y129417-33111	NUT, oil cooler	1	EA		
24	Y129648-35100	BRACKET ASSY	1	EA		
26	Y129648-35150	STUD	1	EA		
27	Y129150-35111	GASKET	1	EA		
29	Y129006-44480	JOINT	1	EA		
30	Y129A01-49030	PIPE, cooling water	1	EA		
31	Y171008-03990	CLAMP (25)	2	EA		
34	Y129A01-49040	HOSE, cooling water	1	EA		
35	Y171008-03990	CLAMP (25)	2	EA		
37	Y129608-49090	TUBE	1	EA		
39	Y24321-000600	O-RING 1A G60.0	1	EA		
40	Y26106-080202	BOLT, plated (M8X20)	3	EA		
41	Y129150-35153	FILTER ASSY, oil	1	EA	Spare parts.	

LUB OIL PIPE Fig.12 LUB.OIL PIPE

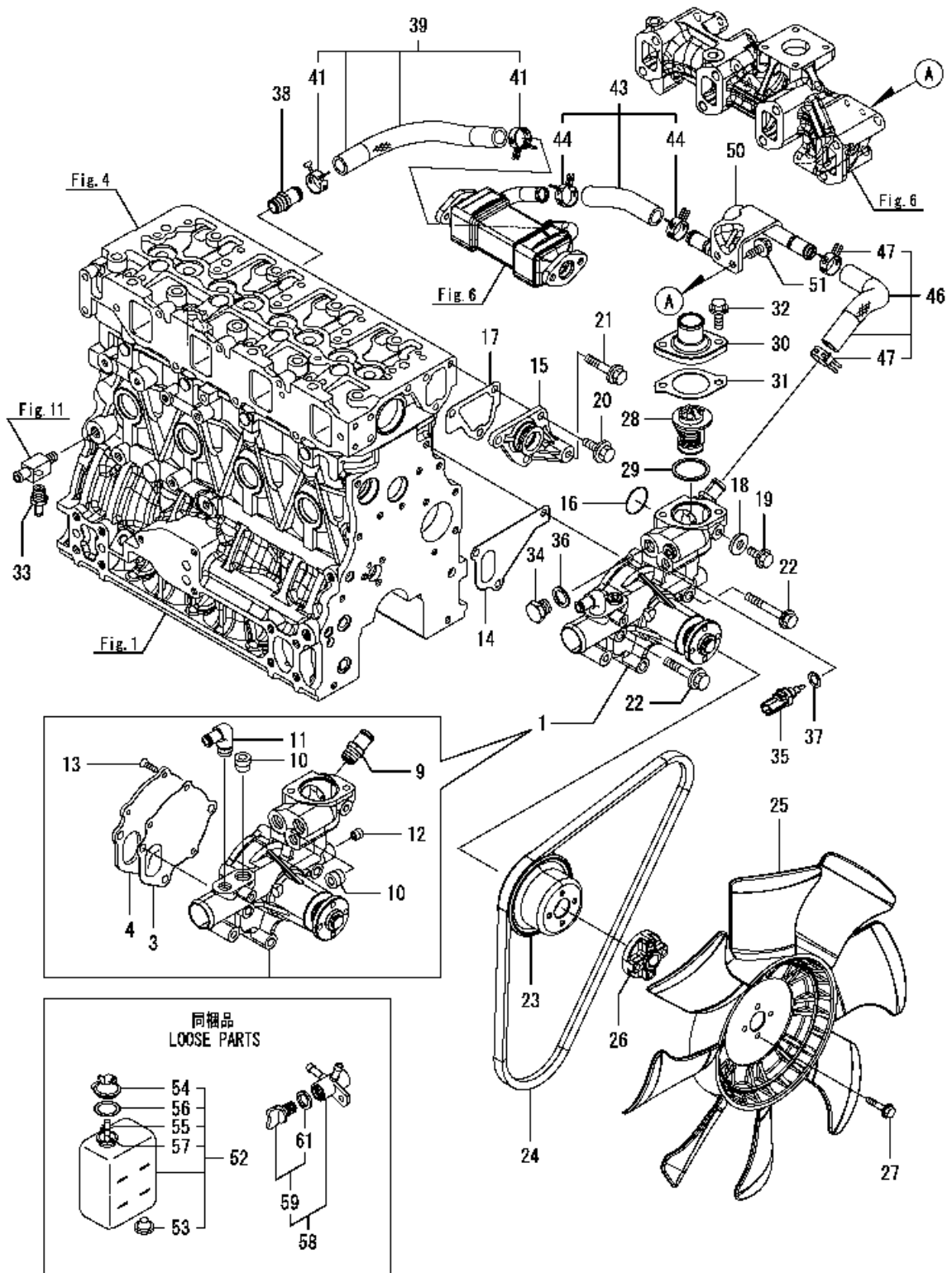


DCD11-M17701	12. LUB. OIL PIPE			
4TNV86CT-PTB/-PTB1	1: 2015. 09	2:	3:	4:

Fig.12

Item	Part No.	Name	Qty	Uom	Remarks	SERIAL NUMBER
1	Y124298-39450	SWITCH, oil pressure	1	EA		
2	Y124160-39140	BOLT, joint	1	EA		
3	Y121252-39150	BOLT, pipe joint	1	EA		
4	Y129C01-39450	PIPE ASSY, lub oil	1	EA		
5	Y124223-39900	RETAINER	1	EA		
6	Y22190-100002	WASHER, seal (10S)	2	EA		
7	Y23414-100000	PACKING	2	EA		
8	Y26106-080122	BOLT, plated (M8X12)	1	EA		
9	Y129044-39610	JOINT	1	EA		
10	Y129C01-39610	PIPE, lub oil	1	EA		
11	Y129466-49300	ELBOW PT 3/8	1	EA		
12	Y23000-022000	CLAMP (22)	2	EA		
13	Y24316-000160	O-RING (4D P-16.0)	1	EA		
14	Y26106-060122	BOLT, plated (M6X12)	2	EA		
15	Y129792-39410	VALVE ASSY, check	4	EA		
21	Y129553-39650	NOZZLE	4	EA		
22	Y22351-030010	PIN, spring (3X10)	4	EA		

COOLING WATER SYSTEM Fig.13 COOLING WATER SYSTEM



DCD11-M17701	13. COOLING WATER SYSTEM		
4TNV86CT-PTB/-PTB1	1: 2015. 09 2:	3:	4:

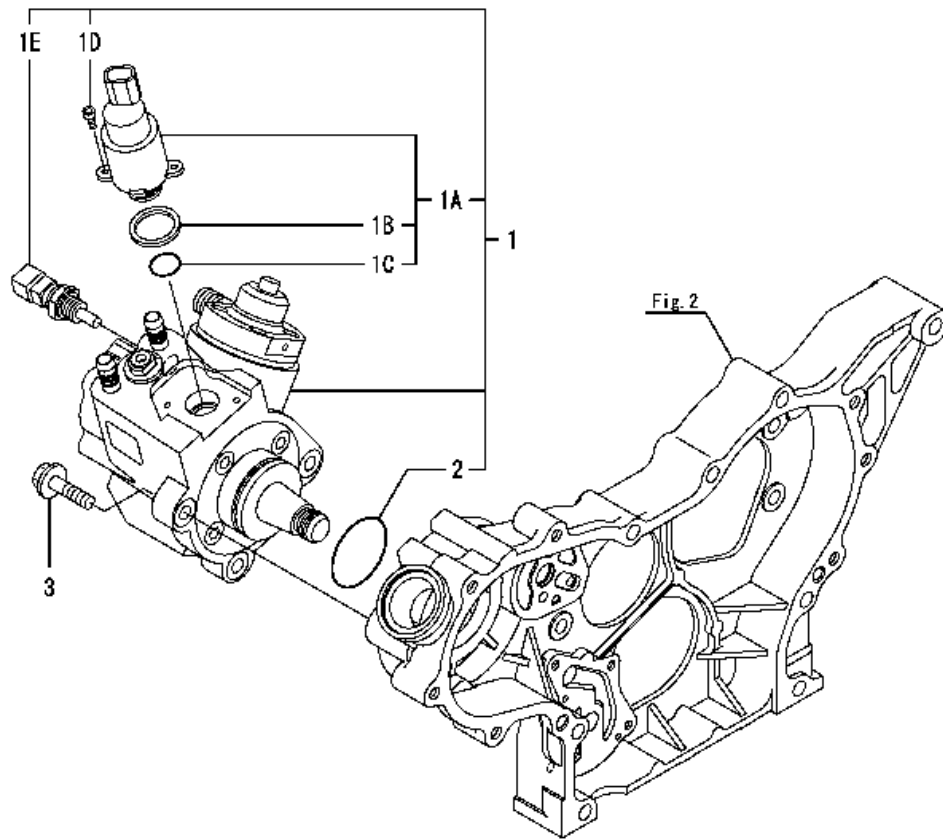
Fig.13

Item	Part No.	Name	Qty	Uom	Remarks	SERIAL NUMBER
1	Y129A01-42000	PUMP ASSY, water	1	EA		
3	Y129100-42051	GASKET (NON ASB)	1	EA		
4	Y129100-42121	PLATE	1	EA		
9	Y129928-49420	JOINT	1	EA		
10	Y129916-49740	PLUG, drain (RO3)	2	EA		
11	Y129103-49301	ELBOW, PT1/4	1	EA		
12	Y23876-010000	PLUG (PT1/8, SCREW)	1	EA		
13	Y26577-060142	SCREW (M6x14)	3	EA		
14	Y129486-42021	GASKET, water pump	1	EA		
15	Y129004-42040	JOINT	1	EA		
16	Y129486-42140	O-RING (CW-P)	1	EA		
17	Y124395-49840	GASKET, thermostat	1	EA		
18	Y23414-080000	GASKET (8 ROUND)	1	EA		
19	Y26106-080122	BOLT, plated (M8X12)	1	EA		
20	Y26106-080162	BOLT, plated (M8X16)	3	EA		
21	Y26106-080452	BOLT, plated (M8X45)	1	EA		
22	Y26106-080602	BOLT, plated (M8X60)	3	EA		
23	Y129155-42350	PULLEY 90	1	EA		
24	Y129612-42330	BELT, fan	1	EA		
25	Y129436-44740	FAN, cooling	1	EA		
26	Y121267-44760	SPACER, fan	1	EA		
27	Y26106-060302	BOLT, plated (M6X30)	4	EA		
28	Y129457-49801	THERMOSTAT	1	EA		
29	Y129150-49811	GASKET, thermostat	1	EA		
30	Y129350-49530	COVER, thermostat	1	EA		
31	Y129795-49551	GASKET	1	EA		
32	Y26106-080222	BOLT, plated (M8X22)	2	EA		
33	Y121550-49111	JOINT (PT1/4)	1	EA		
34	Y121450-42450	PLUG, M16	1	EA		
35	Y129927-44900	THERMOMETER	1	EA	When replacing this part, it is necessary to update the software of the ECU using the designated service tool. Please refer to the Service Manual for details.	
36	Y124465-44950	GASKET (16)	1	EA		
37	Y22190-120002	WASHER, seal (12)	1	EA		
38	Y129928-49420	JOINT	1	EA		
39	Y129A00-49610	PIPE ASSY, water in	1	EA		
41	Y129960-03990	CLAMP, hose	2	EA		
43	Y129C00-49610	PIPE ASSY, water out	1	EA		

This page intentionally left blank

Item	Part No.	Name	Qty	Uom	Remarks	SERIAL NUMBER
44	Y129960-03990	CLAMP, hose	2	EA		
46	Y129C00-49620	PIPE ASSY, water out	1	EA		
47	Y129960-03990	CLAMP, hose	2	EA		
50	Y129C00-49700	PIPE, C.W (OUT)	1	EA		
51	Y26106-080162	BOLT, plated (M8X16)	2	EA		
52	Y129466-44510	TANK, sub	1	EA		
53	Y121468-44540	PLUG, sub-tank	1	EA		
54	Y121450-44531	CAP (RESERVOIR)	1	EA		
55	Y124450-44560	CLAMP, hose	1	EA		
56	Y121470-44581	GASKET	1	EA		
57	Y121267-44590	PIPE	1	EA		
58	Y129150-49100	VALVE, drain	1	EA		
59	Y129150-49080	COCK, drain	1	EA		
61	Y119629-49080	GASKET	1	EA		

FUEL SUPPLY PUMP Fig.14 FUEL SUPPLY PUMP

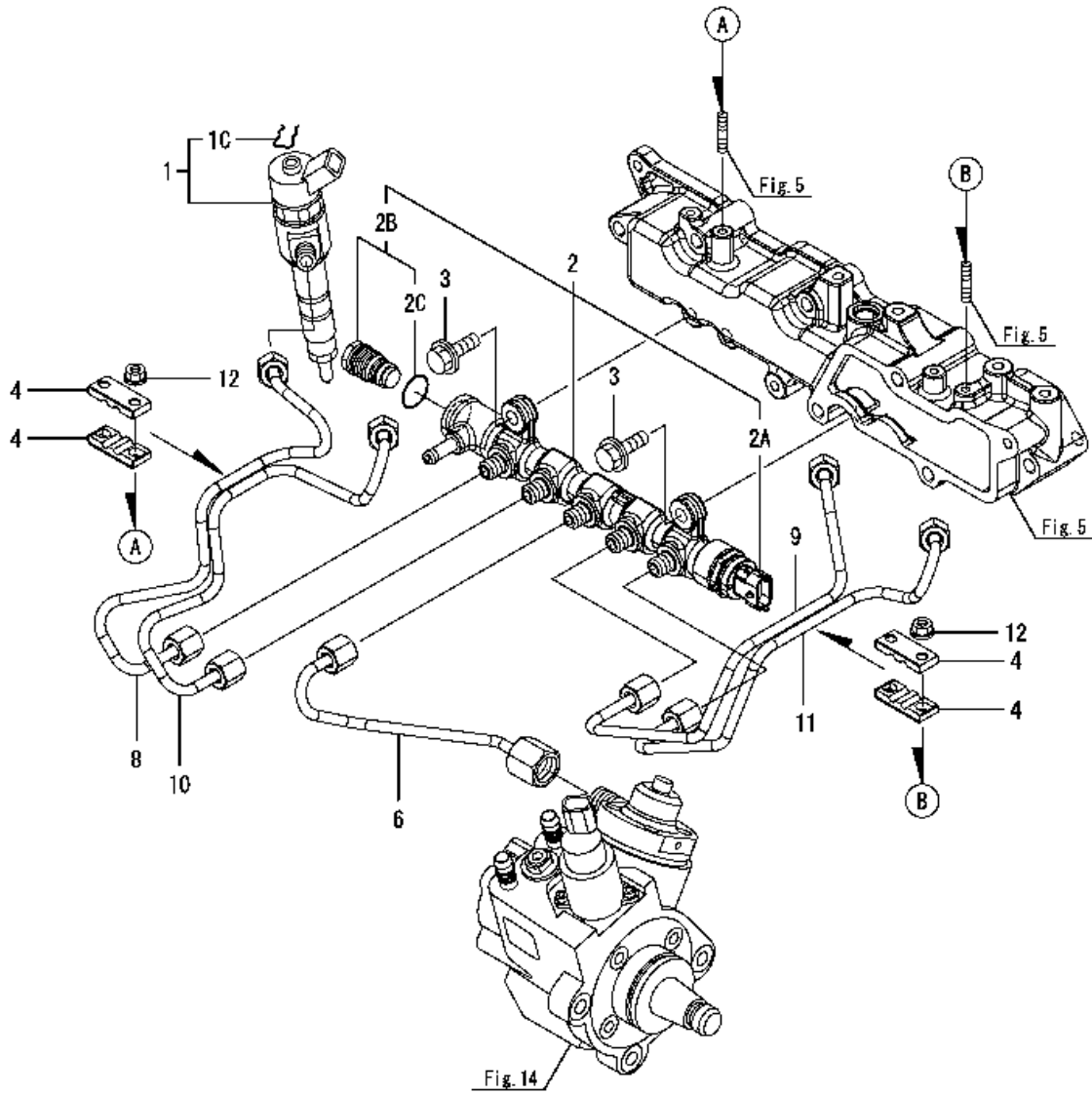


0CD71-M17701	14. FUEL SUPPLY PUMP			
4TNV86CT-PTB/-PTB1	1: 2015. 09	2:	3:	4:

Fig.14

Item	Part No.	Name	Qty	Uom	Remarks	SERIAL NUMBER
1	Y129A00-51000	PUMP ASSY, injection	1	EA	When replacing this part, it is necessary to update the software of the ECU using the designated service tool. Please refer to the Service Manual for details.	
1A	Y129A00-51100	VALVE ASSY, MPROP	1	EA	When replacing this part, it is necessary to update the software of the ECU using the designated service tool. Please refer to the Service Manual for details.	
1B	Y129A00-51110	RING, sealing	1	EA		
1C	Y129A00-51120	O-RING, MPROP	1	EA		
1D	Y129A00-51130	BOLT, MPROP	2	EA		
1E	Y129A00-51200	SENSOR, temperature	1	EA	When replacing this part, it is necessary to update the software of the ECU using the designated service tool. Please refer to the Service Manual for details.	
2	Y129A00-51900	O-RING, fuel pump	1	EA		
3	Y26106-080302	BOLT, plated (M8X30)	3	EA		

FUEL INJECTION VALVE Fig.15 FUEL INJECTION VALVE

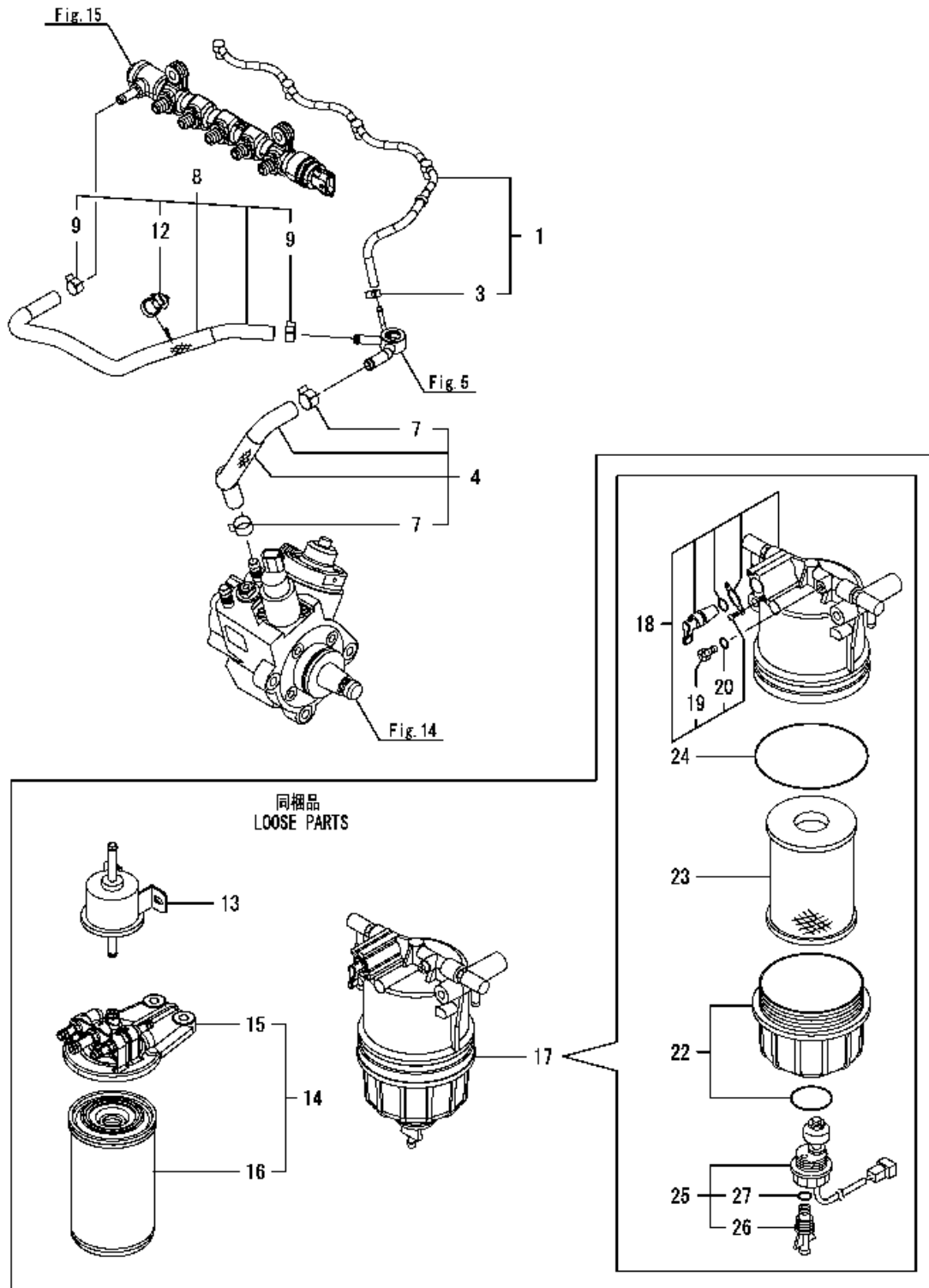


DCD11-M17701	15. FUEL INJECTION VALVE			
4TNV86CT-PTB/-PTB1	1: 2015. 09	2:	3:	4:

Fig.15

Item	Part No.	Name	Qty	Uom	Remarks	SERIAL NUMBER
1	Y129A01-53100	INJECTOR, CR	4	EA	When replacing this part, it is necessary to update the software of the ECU using the designated service tool. Please refer to the Service Manual for details.	
1C	Y129A00-53200	RING, retaining	4	EA		
2	Y129C00-57000	RAIL ASSY	1	EA	When replacing this part, it is necessary to update the software of the ECU using the designated service tool. Please refer to the Service Manual for details.	
2A	Y129A00-57100	PRESSURE, sensor rail	1	EA	When replacing this part, it is necessary to update the software of the ECU using the designated service tool. Please refer to the Service Manual for details.	
2B	Y129A00-57200	VALVE ASSY, PLV4	1	EA	When replacing this part, it is necessary to update the software of the ECU using the designated service tool. Please refer to the Service Manual for details.	
2C	Y129A00-57210	O-RING (PLV4)	1	EA		
3	Y26106-080252	BOLT, plated (M8X25)	2	EA		
4	Y127620-59080	RETAINER	4	EA		
6	Y129A00-59700	PIPE ASSY, rail in	1	EA		
8	Y129C00-59810	PIPE ASSY, injection	1	EA		
9	Y129A00-59820	PIPE ASSY, injection	1	EA		
10	Y129C00-59820	PIPE ASSY, injection	1	EA		
11	Y129A00-59830	PIPE ASSY, injection	1	EA		
12	Y26366-060002	NUT (M 6)	4	EA		

FUEL LINE Fig.16 FUEL PIPE

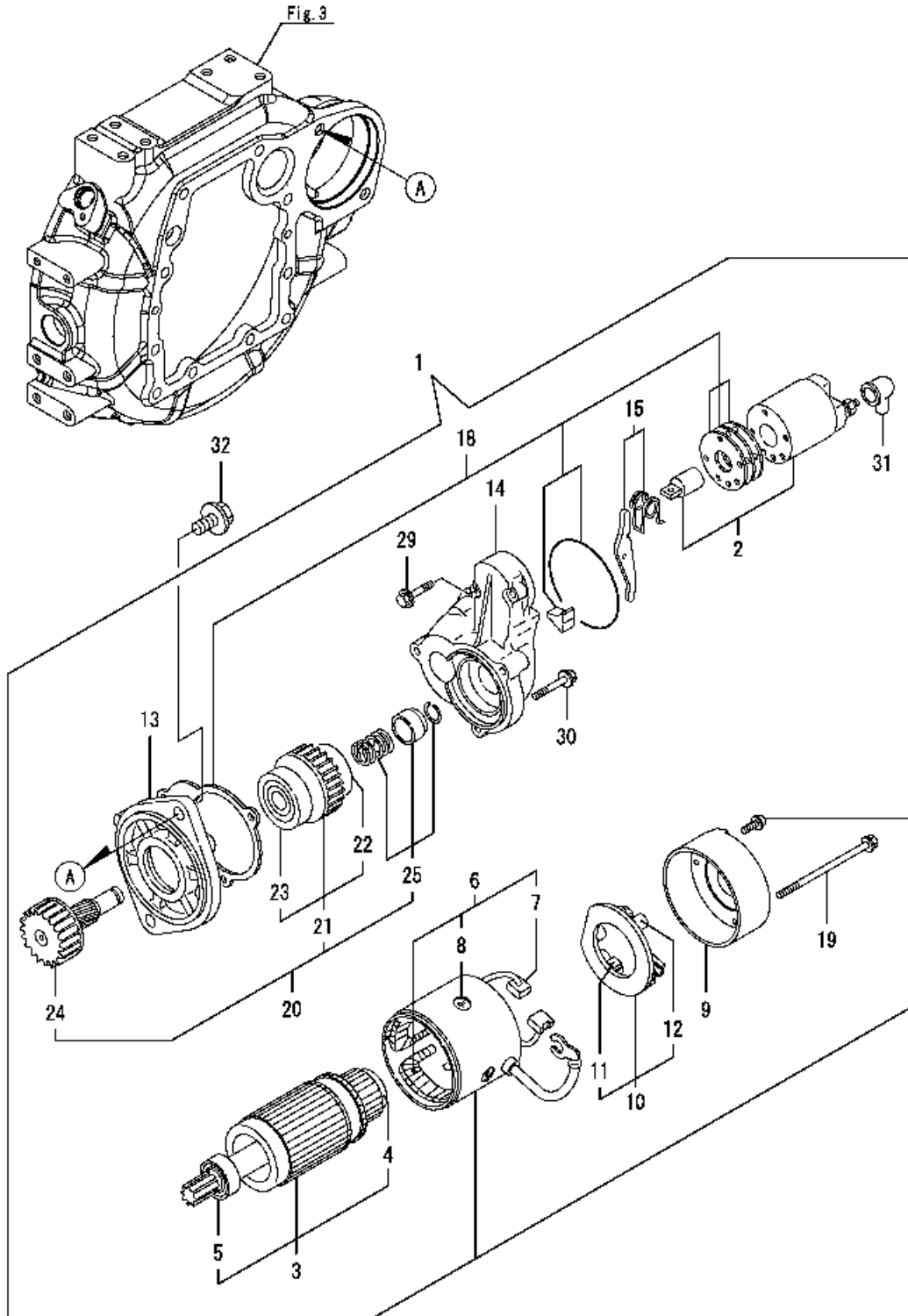


DCD11-M17701	16. FUEL PIPE			
4TNV86CT-PTB/-PTB1	1: 2015. 09	2:	3:	4:

Fig.16

Item	Part No.	Name	Qty	Uom	Remarks	SERIAL NUMBER
1	Y129C00-59500	PIPE ASSY, fuel	1	EA		
3	Y23080-007000	CLAMP (7)	1	EA		
4	Y129A00-59020	PIPE ASSY, fuel	1	EA		
7	Y23080-015000	CLAMP (15)	2	EA		
8	Y129C00-59030	PIPE ASSY, fuel	1	EA		
9	Y114270-59010	CLIP	2	EA		
12	Y129A00-91200	BAND, clip	1	EA		
13	Y129612-52100	PUMP, feed	1	EA		
14	Y129A00-55600	FILTER, fuel	1	EA		
15	Y129A00-55610	BRACKET ASSY, fuel oil filter	1	EA		
16	Y129A00-55800	FILTER, fuel oil	1	EA		
17	Y129E00-55700	FILTER, fuel	1	EA		
18	Y129E00-55710	BODY ASSY	1	EA		
19	Y129A00-55751	PLUG, air vent	1	EA		
20	Y129A00-55760	O-RING	1	EA		
22	Y129C01-55720	CUP, fuel filter	1	EA		
23	Y129A00-55730	ELEMENT, sediment strainer	1	EA		
24	Y129A00-55740	O-RING	1	EA		
25	Y129917-55821	SENSOR ASSY, level	1	EA		
26	Y129917-55830	PLUG, drain	1	EA		
27	Y129917-55840	O-RING	1	EA		

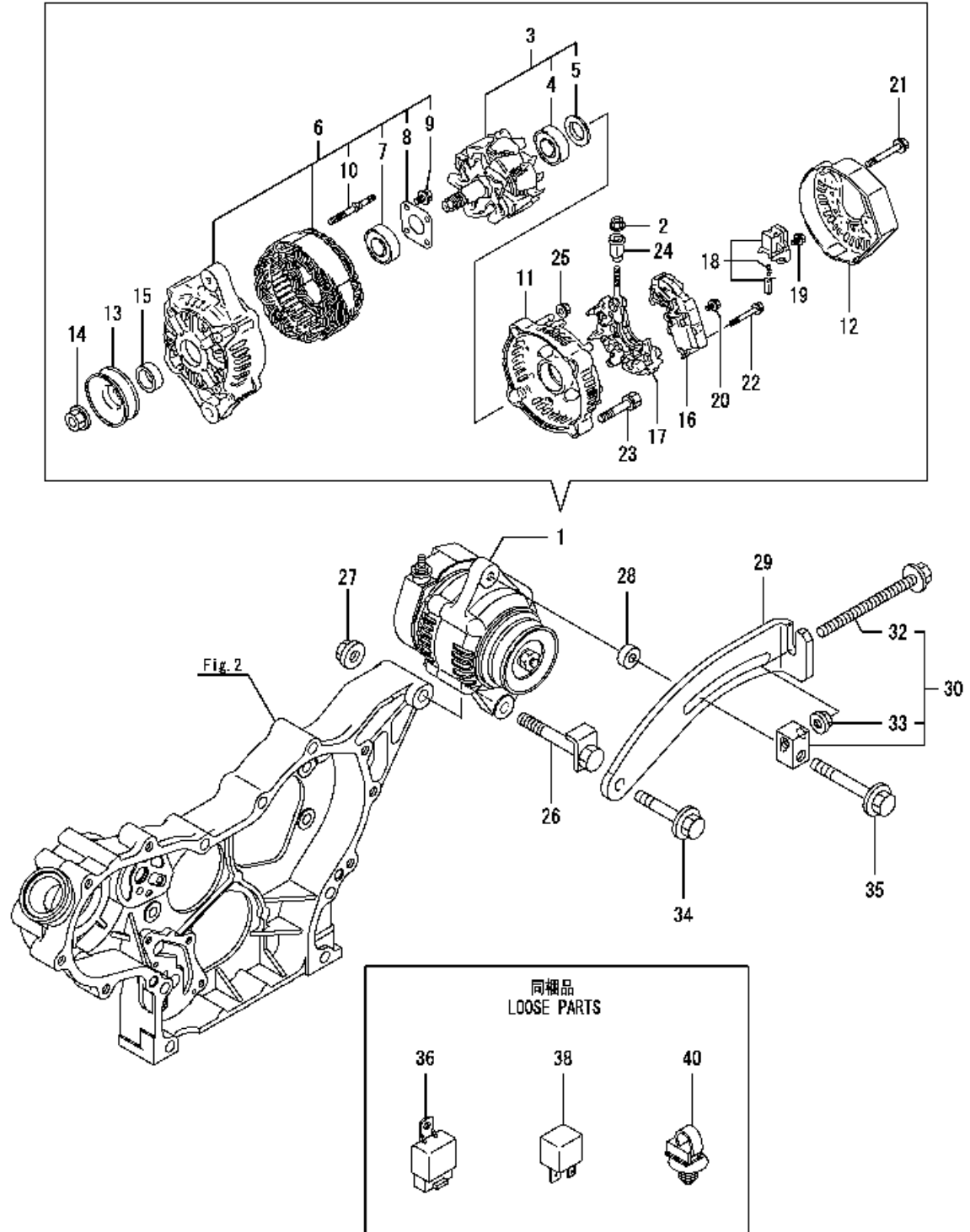
STARTING MOTOR Fig.17 STARTING MOTOR



DCD11-M17701	17. STARTER MOTOR			
4TNV86CT-PTB/-PTB1	1: 2015. 09	2:	3:	4:

Fig.17

Item	Part No.	Name	Qty	Uom	Remarks	SERIAL NUMBER
1	17100877010DN	STARTER ASSY (NEW/OEM REPLACEMENT)	1	EA		
2	Y129136-77310	SHAFT, pinion	1	EA		
3	Y129900-77400	ARMATURE ASSY	1	EA		
4	YX2130350900	BEARING, ball	1	EA		
5	YX2114255110	BEARING, ball	1	EA		
6	Y129900-77440	COIL ASSY, field	1	EA		
7	Y129900-77450	BRUSH	2	EA		
8	Y171008-77450	SET-SCREW, pole core	4	EA		
9	Y129900-77460	COVER, rear	1	EA		
10	Y129900-77480	HOLDER ASSY, brush	1	EA		
11	Y129900-77450	BRUSH	2	EA		
12	Y129400-77490	SPRING, brush	4	EA		
13	Y171008-77510	CASE, gear	1	EA		
14	Y129136-77520	HOUSING, center	1	EA		
15	Y171008-77540	LEVER SET	1	EA		
18	Y129400-77571	COVER, dust	1	EA		
19	Y129900-77640	BOLT, through	2	EA		
20	Y171008-77650	PINION ASSY	1	EA		
21	YX2114555500	CLUTCH ASSY	1	EA		
22	YX2114955020	BEARING, ball	1	EA		
23	YX2240410100	BEARING, ball	1	EA		
24	Y171008-77660	SHAFT, pinion	1	EA		
25	Y171008-77670	STOPPER, pinion (SET)	1	EA		
29	Y26106-060322	BOLT, plated (M6X32)	2	EA		
30	Y26106-060402	BOLT, plated (M6X40)	3	EA		
31	Y171008-77750	COVER, terminal	1	EA		
32	Y26106-120252	BOLT, plated (M12X25)	2	EA		

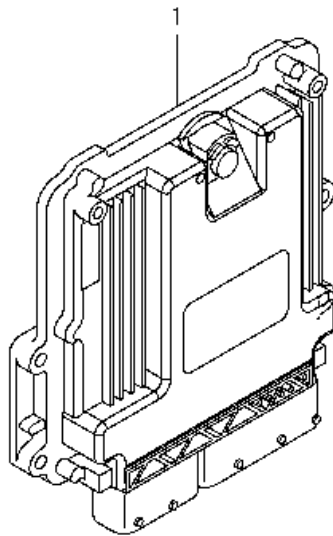


0CD71-M17701	18. GENERATOR			
4TNV86CT-PTB1	1: 2015. 09	2:	3:	4:

Fig.18

Item	Part No.	Name	Qty	Uom	Remarks	SERIAL NUMBER
1	Y129961-77200	ALTERNATOR	1	EA		
2	YX9490561001	NUT	1	EA		
3	Y129052-77380	ROTOR ASSY	1	EA		
4	Y123501-79240	BEARING, ball	1	EA		
5	Y119620-79250	BEARING, cover	1	EA		
6	Y129961-77421	FRAME ASSY	1	EA		
7	Y119620-79200	BEARING, ball	1	EA		
8	Y119620-79210	RETAINER	1	EA		
9	Y119620-79220	SCREW	4	EA		
10	Y119620-79230	BOLT, stud	2	EA		
11	Y128401-77440	FRAME	1	EA		
12	Y128401-77450	COVER, generator	1	EA		
13	Y119620-77461	PULLEY, generator	1	EA		
14	Y119620-77471	NUT	1	EA		
15	Y119620-77490	COLLAR	1	EA		
16	Y119620-77710	REGULATOR ASSY	1	EA		
17	Y129052-79260	HOLDER, sub rectifier	1	EA		
18	Y129052-79270	HOLDER, brush	1	EA		
19	Y119620-79290	SCREW	6	EA		
20	Y119620-79300	SCREW	1	EA		
21	Y119620-79310	BOLT	3	EA		
22	Y119620-79320	SCREW (W/WASHER)	2	EA		
23	Y119620-79330	BOLT	2	EA		
24	Y119620-79340	BUSH, insulation	1	EA		
25	Y119620-79350	NUT	2	EA		
26	Y129A00-77250	BOLT, stopper (M10)	1	EA		
27	Y26306-100002	NUT	1	EA		
28	Y119940-77270	ADJUSTER, belt	1	EA		
29	Y119940-77310	ADJUSTER, belt	1	EA		
30	Y119624-77351	BLOCK ASSY, adjuster	1	EA		
32	Y26106-081004	BOLT (M8 X 100)	1	EA		
33	Y26306-080002	NUT	1	EA		
34	Y26106-080452	BOLT, plated (M8X45)	1	EA		
35	Y26106-080552	BOLT, plated (M8X55)	1	EA		
36	Y198461-52950	RELAY, main (ORDER # 0564251020 FOR HARNESS)	1	EA		
38	Y129927-77920	RELAY, starter	2	EA		
40	Y129A00-91200	BAND, clip	1	EA		

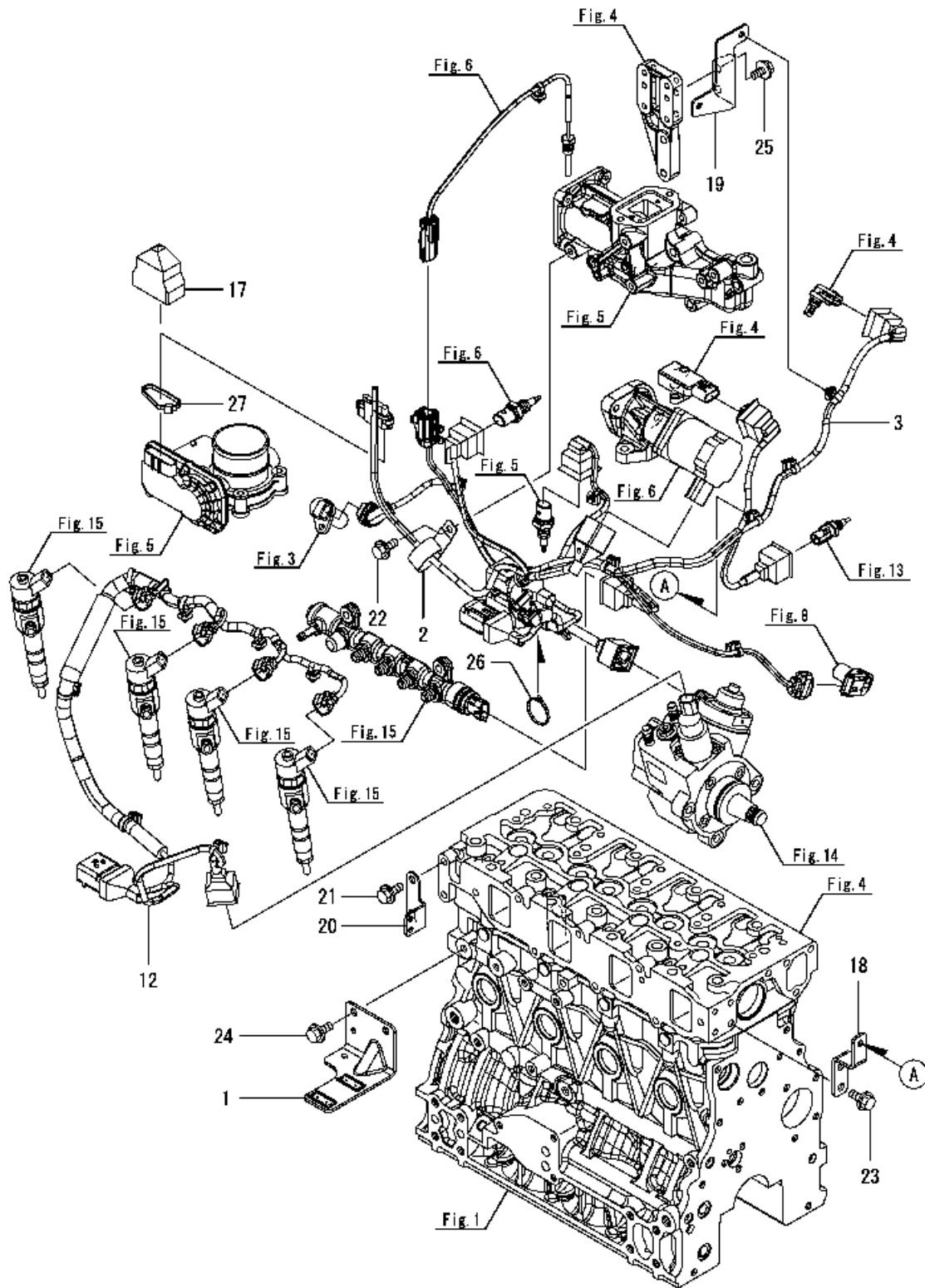
ELECTRONIC CONTROL UNIT (ECU) Fig.19 ELECTRONIC CONTROL UNIT (ECU)



0CD71-M17701	19. ELECTRONIC CONTROL UNIT (ECU)			
4TNV86CT-PTB/-PTB1	1: 2015. 09	2:	3:	4:

Fig.19

Item	Part No.	Name	Qty	Uom	Remarks	SERIAL NUMBER
1	Y129A00-75910	ECU ASSY, service (YANMAR)	1	EA	Service ECU When replacing this part, it is necessary to update the software of the ECU using the designated service tool. Please refer to the Service Manual for details.	

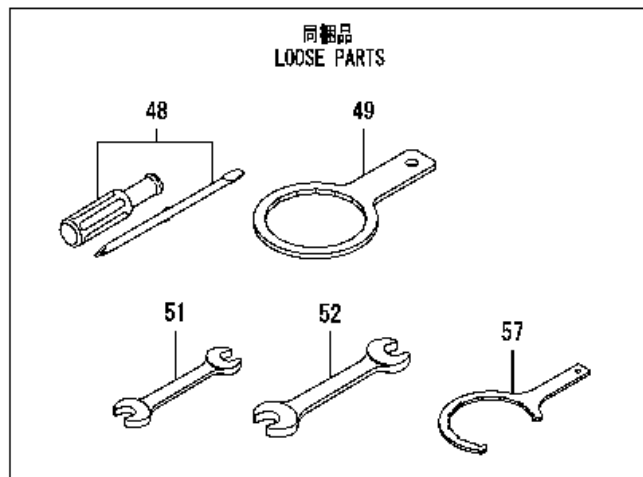
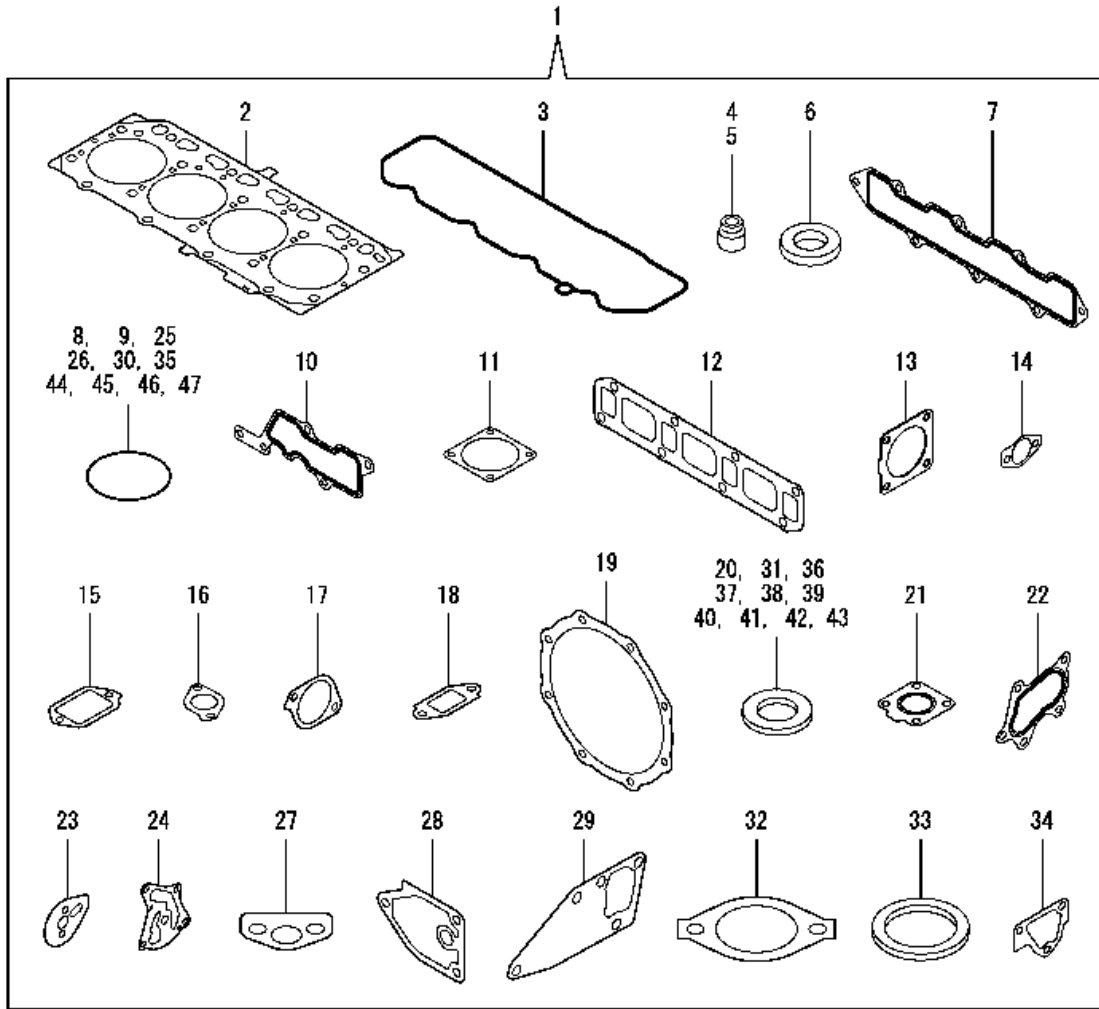


OCD11-M17701	20. ELECTRIC PARTS			
4TNV86CT-PTB/-PTB1	1: 2015. 09	2:	3:	4:

Fig.20

Item	Part No.	Name	Qty	Uom	Remarks	SERIAL NUMBER
1	Y129A00-77930	BRACKET, connector	1	EA		
2	Y129928-79700	CLAMP, 150-M8	1	EA		
3	Y129C01-91221	HARNESS,B ECO ENGINE	1	EA		
12	Y129C00-91232	HARNESS C, eco engine	1	EA		
17	Y129A00-91451	BOOT, cap type	1	EA		
18	Y129A01-91500	BRACKET, harness	1	EA		
19	Y129C01-91500	BRACKET, harness	1	EA		
20	Y129A00-91600	BRACKET, harness	1	EA		
21	Y26106-080122	BOLT, plated (M8X12)	2	EA		
22	Y26106-080122	BOLT, plated (M8X12)	1	EA		
23	Y26106-080122	BOLT, plated (M8X12)	2	EA		
24	Y26106-080122	BOLT, plated (M8X12)	2	EA		
25	Y26106-080142	BOLT, plated (M8X14)	2	EA		
26	Y29621-100000	BAND	1	EA		
27	Y29621-200000	BAND	1	EA		

GASKET SET Fig.21 GASKET SET



OCD11-M17701	21. GASKET SET			
4TNV86CT-PTB1	1: 2015. 09	2:	3:	4:

Fig.21

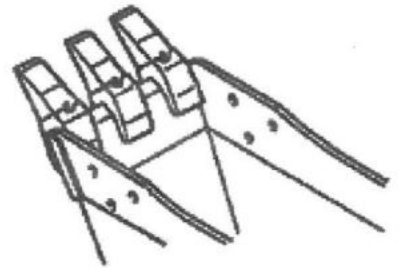
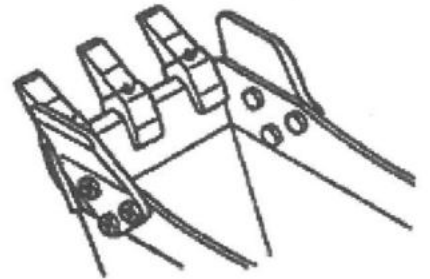
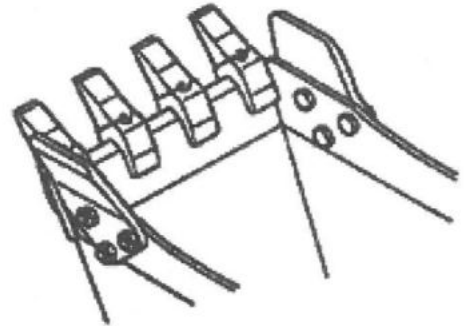
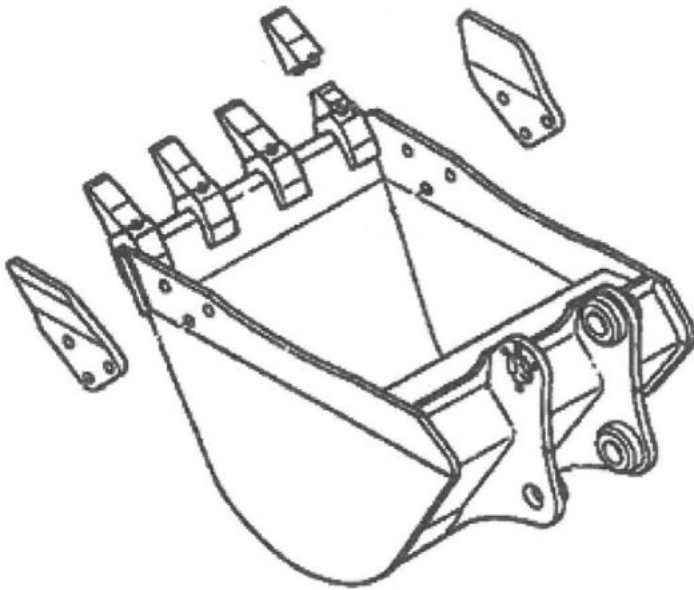
Item	Part No.	Name	Qty	Uom	Remarks	SERIAL NUMBER
1	Y129C30-92600	GASKET SET	1	EA	Optional parts.	
2	Y129C01-01331	GASKET, cylinder head	1	EA		
3	Y129C00-11310	GASKET, cover	1	EA		
4	Y124460-11340	SEAL, valve stem	4	EA		
5	Y129A00-11340	SEAL, valve stem	4	EA		
6	Y129978-11871	GASKET, injector	4	EA		
7	Y129C00-12110	GUIDE	1	EA		
8	Y129A00-12780	O-RING, pressure sensor	2	EA		
9	Y129A00-12790	O-RING, temp sensor	1	EA		
10	Y129A00-12810	GASKET, collector	1	EA		
11	Y129A00-12910	GASKET, throttle	2	EA		
12	Y129C00-13110	GASKET, exhaust manifold	1	EA		
13	Y129930-13201	GASKET, silencer	1	EA		
14	Y129A00-13410	GASKET (EGR COOLER)	2	EA		
15	Y129A00-13720	GASKET (EGR-V SPACER)	1	EA		
16	Y129927-13810	GASKET (EGR PIPE)	1	EA		
17	Y129A00-13910	GASKET, EGR-V (IN)	1	EA		
18	Y129A00-13920	GASKET, EGR-V (OUT)	1	EA		
19	Y129E00-16600	GASKET, DPF	2	EA		
20	Y129A00-17311	GASKET, sensor	4	EA		
21	Y129508-18080	GASKET	1	EA		
22	Y129508-18090	GASKET, turbocharger	1	EA		
23	Y129A00-25210	GASKET, idle shaft	1	EA		
24	Y129486-32020	GASKET	1	EA		
25	Y119609-32040	O-RING (P16)	2	EA		
26	Y119624-32040	O-RING P 12.0	1	EA		
27	Y129150-35042	GASKET	1	EA		
28	Y129150-35111	GASKET	1	EA		
29	Y129486-42021	GASKET, water pump	1	EA		
30	Y129486-42140	O-RING (CW-P)	1	EA		
31	Y124465-44950	GASKET (16)	1	EA		
32	Y129795-49551	GASKET	1	EA		
33	Y129150-49811	GASKET, thermostat	1	EA		
34	Y124395-49840	GASKET, thermostat	1	EA		
35	Y129A00-51900	O-RING, fuel pump	1	EA		
36	Y22190-080002	WASHER, seal (8S)	1	EA		
37	Y22190-100002	WASHER, seal (10S)	2	EA		
38	Y22190-120002	WASHER, seal (12)	1	EA		

This page intentionally left blank

Item	Part No.	Name	Qty	Uom	Remarks	SERIAL NUMBER
39	Y22190-140002	WASHER, seal (14S)	2	EA		
40	Y22190-220002	WASHER, seal (22)	1	EA		
41	Y23414-080000	GASKET (8 ROUND)	1	EA		
42	Y23414-100000	PACKING	2	EA		
43	Y23414-120000	GASKET 12, round	2	EA		
44	Y24311-000120	O-RING (1A P 12.0)	3	EA		
45	Y121420-01760	O-RING	3	EA		
46	Y24316-000160	O-RING (4D P-16.0)	1	EA		
47	Y24321-000600	O-RING 1A G60.0	1	EA		
48	Y104200-92350	SCREWDRIVER	1	EA		
49	Y119640-92750	WRENCH, filter	1	EA		
51	Y28110-100120	WRENCH (10 X 12)	1	EA		
52	Y28110-140170	WRENCH (14 X 17)	1	EA		
57	Y129A00-92750	WRENCH, filter	1	EA		

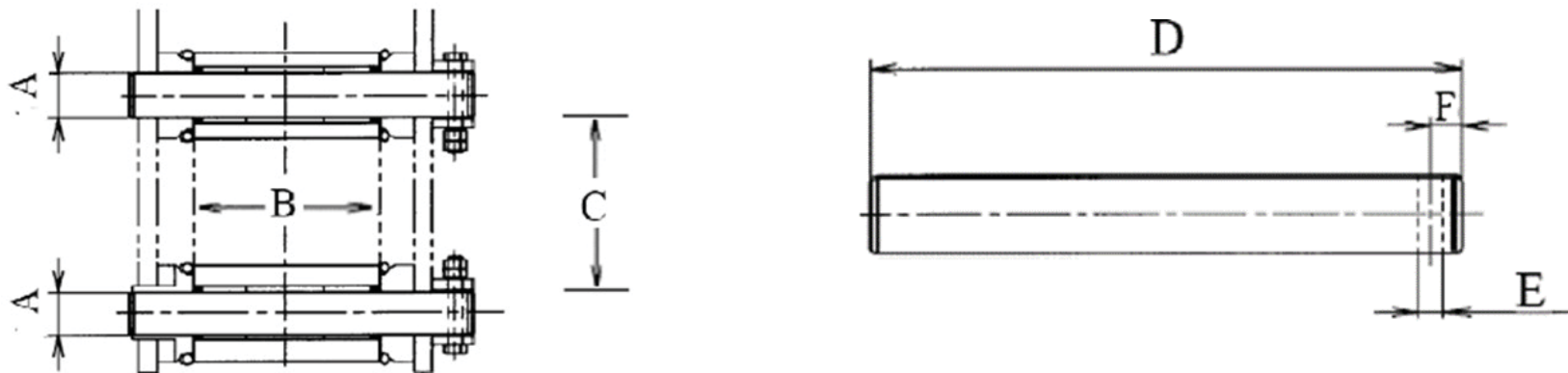


Item	Part No.	Name	Qty	Uom	Remarks	SERIAL NUMBER
-	3100003	CORD, 4' (W/ELEMENT) (#3600023 IS CORD ONLY)		EA		

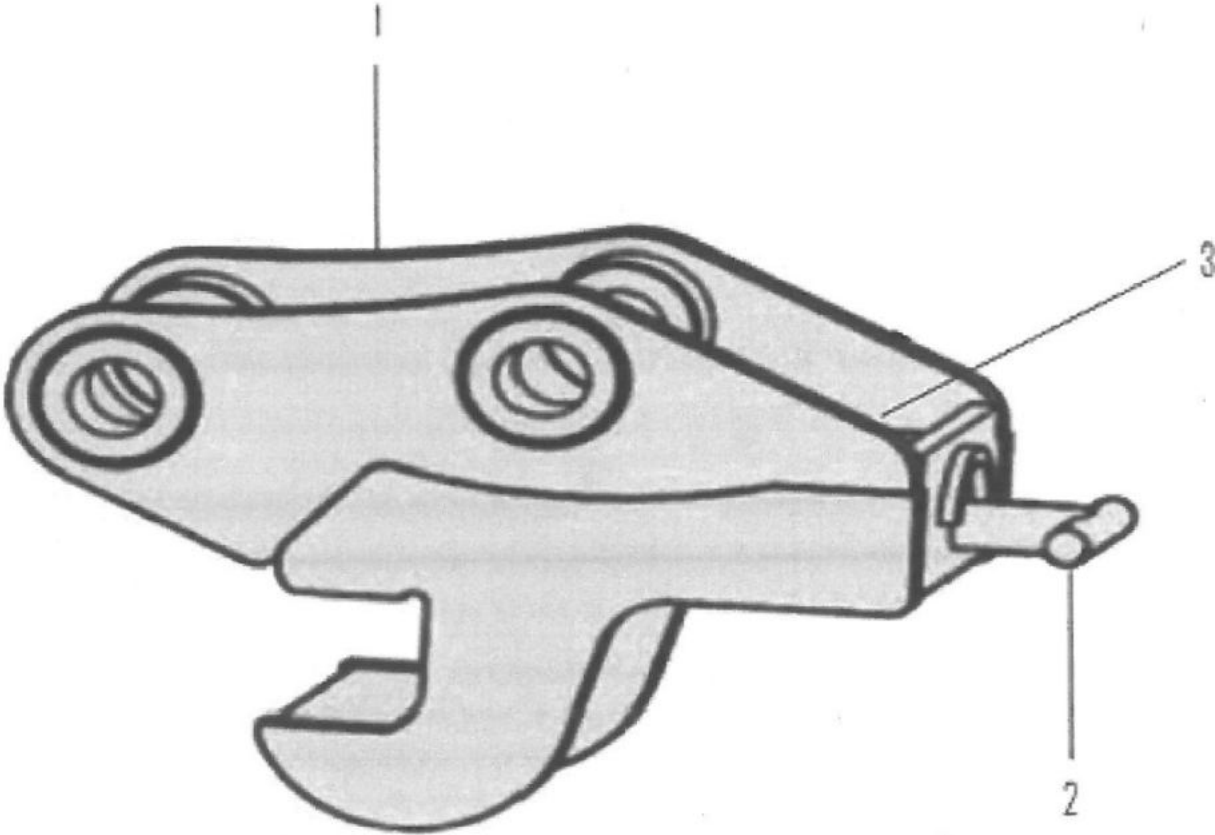


Item	Part No.	Name	Qty	Uom	Remarks	SERIAL NUMBER
-	PNNA	TB260 BUCKETS-BLADES- ATTACHMENTS		EA		
-	BTB26012	BUCKET (12" PIN-ON) (TB260)	1	EA		
-	BTB26018	BUCKET (18" PIN-ON) (TB260)	1	EA		
-	BTB26024	BUCKET (24" PIN-ON) (TB260)	1	EA		
-	BTB26036	BUCKET (36" PIN-ON) (TB260)	1	EA		
-	BTB26036D	BUCKET (36" PIN-ON DITCH CLEANING)	1	EA		
-	BQC26000	COUPLER, quick (TB260)	1	EA		
-	BQC14512	BUCKET (12" COUPLE) (TB53, TB145, TB260)	1	EA		
-	BQC14512D	BUCKET (12" COUPLE DITCH CLEANING)	1	EA		
-	BQC14518	BUCKET (18" COUPLE) (TB53, TB145, TB260)	1	EA		
-	BQC14524	BUCKET (24" COUPLE) (TB53, TB145, TB260)	1	EA		
-	BQC14536	BUCKET (36" COUPLE) (TB53, TB145, TB260)	1	EA		
-	1914210182	TOOTH	1	EA		
-	1914210183	PIN	1	EA		
-	19142181-1	SHANK, adapter (550X156) (NEW STYLE)	1	EA		

CURRENT MODEL		TB210	TB216	TB230	TB235-2 TB240		TB260	TB280FR TB290	TB2150
Interchangeability		TB108	TB016	TB125 TB228	TB135 TB235	TB145 TB250 TB153FR		TB180FR TB175 TB285	TB1140 S2 TB1140
Pin Diameter	A.	25 mm	30 mm	35 mm	40 mm	45 mm	45 mm	50 mm	65 mm
Arm Width	B.	105 mm	105 mm	122 mm	125 mm	150 mm	165 mm	165 mm	254 mm
Pin Spacing	C.	91.2 mm	132.1 mm	180.7 mm	191.6 mm	233.5 mm	248.5 mm	292.8 mm	362 mm
Pin Length	D.	170 mm	202 mm	227 mm	230 mm	260 mm	260 mm	315 mm	410 mm
Retaining Bore	E.	10 mm	9 mm	11 mm	11 mm	12 mm	12 mm	13 mm	17 mm
Bore Setback	F.	10 mm	10 mm	12 mm	12 mm	12 mm	12 mm	39 mm	20 mm
HYDRAULIC DETAIL		TB210	TB216	TB230	TB235-2 TB240*		TB260	TB280FR TB290*	TB2150
Max Flow 1st Aux.		5.9 gpm	8.9 gpm	13.4 gpm	15.8 gpm 17.1 gpm*	25.6	27 gpm	39 gpm 26.4 gpm*	59 gpm
Primary Port Size		G 1/2	G 1/2	G 1/2	G 1/2	G 1/2	G 3/4	G 3/4	G 1
Max Flow 2nd Aux.		NA	NA	NA	NA	NA	11.6 gpm	15 gpm 14.5 gpm*	14.5 gpm
Secondary Port Size		NA	NA	NA	NA	NA	G 1/2	G 1/2	G 1/2



This page intentionally left blank



Item	Part No.	Name	Qty	Uom	Remarks	SERIAL NUMBER
Not Shown	PNNA	TB260 COUPLERS		EA		
1	BQC26000	COUPLER, quick (TB260)		EA		
2	BQC12501	T-PIN (FOR TB125, TB135,TB145,TB235-2 COUPLER)		EA		
3	BQCCLEVIS	PIN, clevis (FOR ALL BQC T- PINS)		EA		



TB260 RECOMMENDED STOCK LIST

FILTERS			
QUANTITY	PART NUMBER	DESCRIPTION	SERIAL BREAK (if applicable)
2	1551103900	FILTER (HYDRAULIC)	
2	Y129A00-55730	ELEMENT, SEDIMENT STRAINER	
4	1911112001	AIR FILTER (OUTER)	
4	1911112002	AIR FILTER (INNER)	
4	Y129150-35153	FILTER ASSY	
2	Y129A00-55800	FILTER, FUEL OIL	
2	1551103900	FILTER (HYDRAULIC)	
SEAL KITS			
QUANTITY	PART NUMBER	DESCRIPTION	SERIAL BREAK (if applicable)
1	1900113199	KIT, seal (SWING CYLINDER)	
1	1900113299	KIT, seal (DOZER BLADE CYLINDER)	
1	1900079799	KIT, seal (BLADE CYLINDER)	
1	1900113399	KIT, seal (ANGLE BLADE CYLINDER)	
1	1900113099	KIT, seal (BUCKET CYLINDER)	
1	1900112999	KIT, seal (ARM CYLINDER)	
1	1900112899	KIT, seal (BOOM CYLINDER)	
BUCKET TEETH			
QUANTITY	PART NUMBER	DESCRIPTION	SERIAL BREAK (if applicable)
4	1914210182	TOOTH	
4	1914210183	PIN	
4	19142181-1	SHANK, ADAPTER (550X156) (NEW STYLE)	

519 Bonnie Valentine Way, Pendergrass GA 30567 | 706.693.3600 | www.takeuchi-us.com

Item	Part No.	Name	Qty	Uom	Remarks	SERIAL NUMBER
1	1551103900	FILTER (HYDRAULIC)	2	EA		
2	Y129A00-55730	ELEMENT, sediment strainer	2	EA		
3	1911112001	FILTER, air (OUTER)	4	EA	SEE # AFY129939-12621 FOR AFTERMARKET	
4	1911112002	FILTER, air (INNER)	4	EA	SEE #AFY129939-12630 FOR AFTERMARKET	
5	Y129150-35153	FILTER ASSY, oil	4	EA		
6	Y129A00-55800	FILTER, fuel oil	2	EA		
7	1551103900	FILTER (HYDRAULIC)	2	EA		
8	1900113199	KIT, seal (SWING CYLINDER)	1	EA		
9	1900113299	KIT, seal (DOZER BLADE CYLINDER)	1	EA		
10	1900079799	KIT, seal (BLADE CYLINDER)	1	EA	DOESNT INCLUDE WEAR RINGS	
11	1900113399	KIT, seal (ANGLE BLADE CYLINDER)	1	EA		
12	1900113099	KIT, seal (BUCKET CYLINDER)	1	EA	DOESNT INCLUDE WEAR RINGS	
13	1900112999	KIT, seal (ARM CYLINDER)	1	EA		
14	1900112899	KIT, seal (BOOM CYLINDER)	1	EA		
15	1914210182	TOOTH	4	EA		
16	1914210183	PIN	4	EA		
17	19142181-1	SHANK, adapter (550X156) (NEW STYLE)	4	EA		
18	1703002700	LAMP ASSY (BOOM/REAR)	2	EA		
19	1700100098	SWITCH, starter (KEY)	2	EA		
20	1700100019	KEY (QTY 2 = 1 KEYS)**KEYS ONLY**	12	EA		
21	1703007000	LAMP, tail	2	EA		
22	1911260305	SWITCH, service	1	EA		
23	1552005000	BREATHING, air (FILTER)	1	EA		
24	Y129612-42330	BELT, fan	1	EA		
25	0554002001	HOSE, radiator (UPPER)	1	EA		
26	0554000345	HOSE, radiator (LOWER)	1	EA		

TB260 RECOMMENDED STOCK LIST

MISC			
QUANTITY	PART NUMBER	DESCRIPTION	SERIAL BREAK (if applicable)
2	1703002700	LAMP ASSY (BOOM/REAR)	
2	1700100098	SWITCH, starter (KEY)	
12	1700100019	KEY (QTY 2 = 1 KEYS)	
2	1703007000	LAMP, tail	
1	1911260305	SWITCH, service	
1	1552005000	BREATHER, air	
1	Y129612-42330	BELT (FAN)	
1	0554002001	HOSE, radiator (UPPER)	
1	0554002002	HOSE, radiator (LOWER)	

TAKEUCHI®

Those in the know, know Takeuchi



Takeuchi Fleet Management Component Guide

Version: 1

Release Date 08/01/2016

Components

Monitoring Unit: M8HBI



Antenna Excavators: Dome Antenna

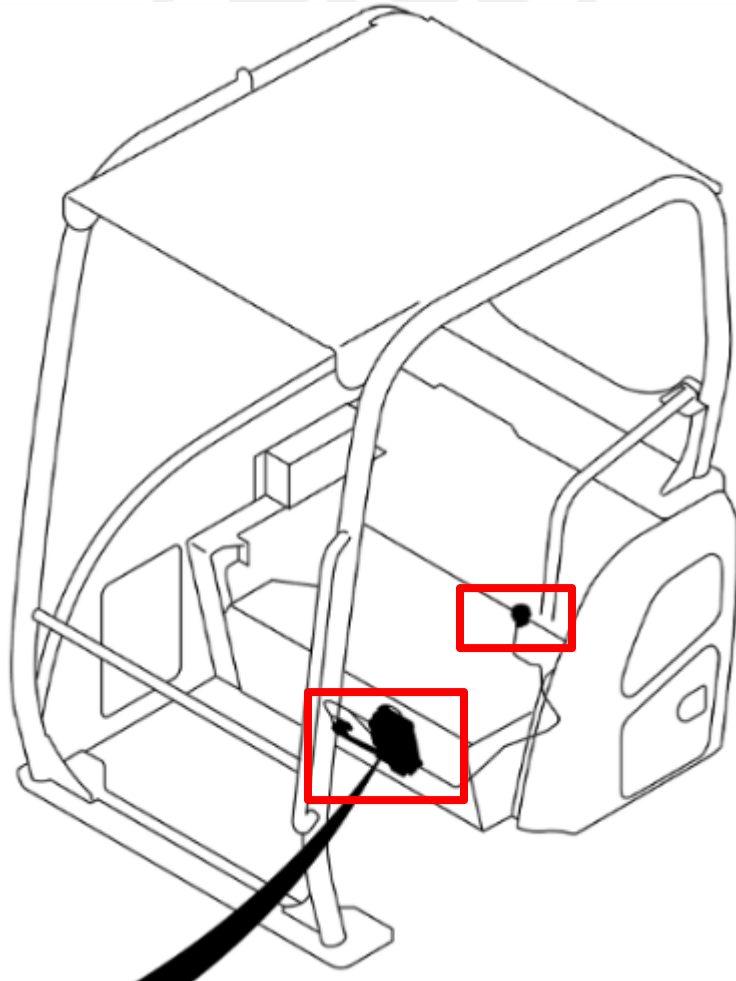


Antenna Track Loaders: Chocolate Bar Style Antenna

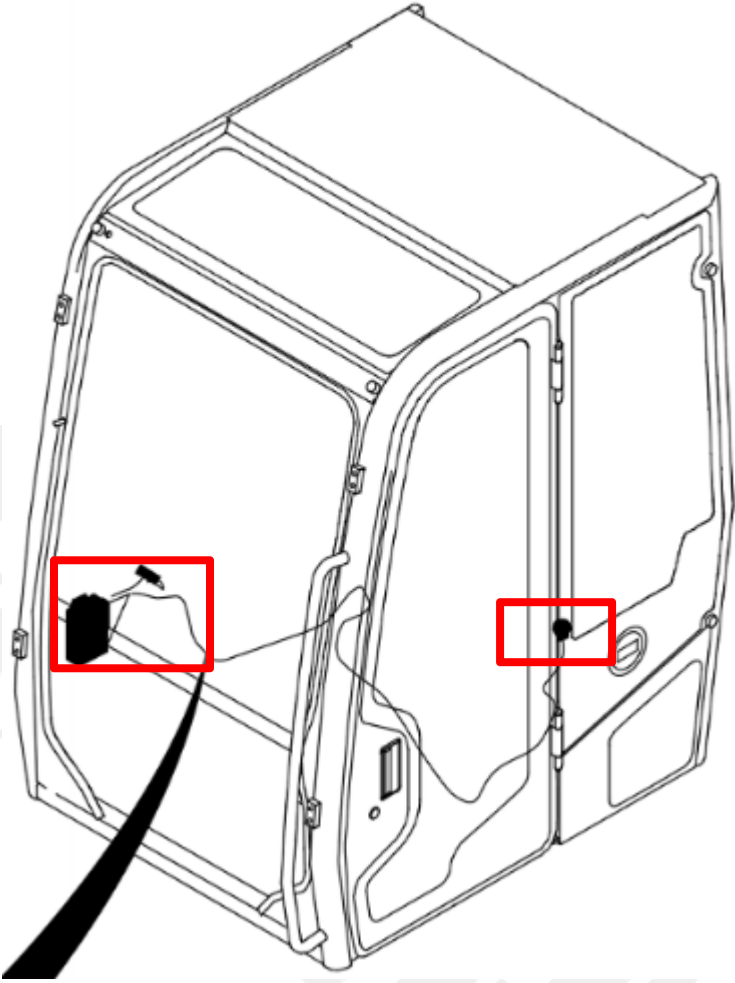


Components Location Excavators

The monitoring unit is located behind the steel access panel under the operator's seat. The antenna is located in the plastic panel in the safety lever lock. (TB230, TB240 Canopy, TB260 Canopy)

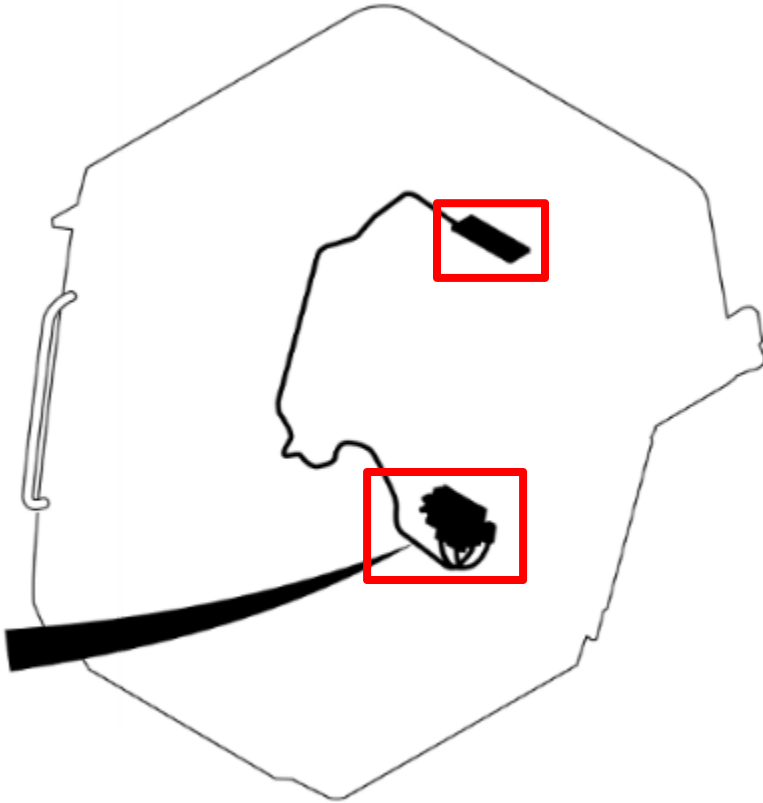


The monitoring unit is located behind the plastic panel in the operator's station. The antenna is located in the plastic panel in the safety lever lock.
(TB260 Cab, TB290, TB280FR)

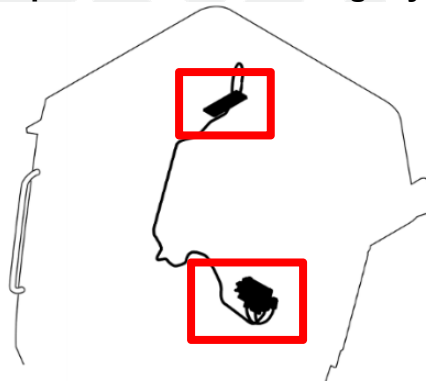


Components Location Track Loaders

The monitoring unit is located under the cab in the engine room (tilting the cab is required to gain access). The antenna is located inside the cab behind the operator's seat. (TL8 Canopy, TL10 Canopy, TL12 Canopy, TL12V2 Canopy)



The monitoring unit is located in the same location for cab units. The antenna on the cab is located inside the cab behind the operator's seat in a slightly different location.



Troubleshooting

Monitoring Unit Troubleshooting Guide		
Problem/Symptom	Probable Cause	Correct Action Required
Monitoring Unit Does not Power On	Pin Connector Loose	Ensure pin connector is full inserted and latch engaged.
	Power Connection Incorrectly Wired	Monitoring unit must have a continuous power connection. Observe monitoring unit LEDs - *Refer to LED Status Indicator.*
	Faulty Harness	Inspect harness for pinched or shorted wires
Monitoring Unit Does Not Check In/Not Available on Map	M8 is Not Powering On	Refer to probable cause above.
	Unit is not Activated	Contact Jonathan Martinez to confirm the monitoring unit is activated. Email: jmartinez@takeuchi-us.com Cell: (706)-429-7061
	Monitoring Unit is Damaged	Contact Jonathan Martinez to confirm the warranty process. Email: jmartinez@takeuchi-us.com Cell: (706)-429-7061
	Antenna Cables Faulty or Damaged Connections	Inspect for damage and proceed with warranty process as mentioned above.
	Antenna Cables Swapped	Ensure antenna cables are installed in the designated connectors

The monitoring unit is equipped with two Status LEDs*, one for COM (cellular network status) and one for GPS. The LEDs use the following blink patterns to indicate service:

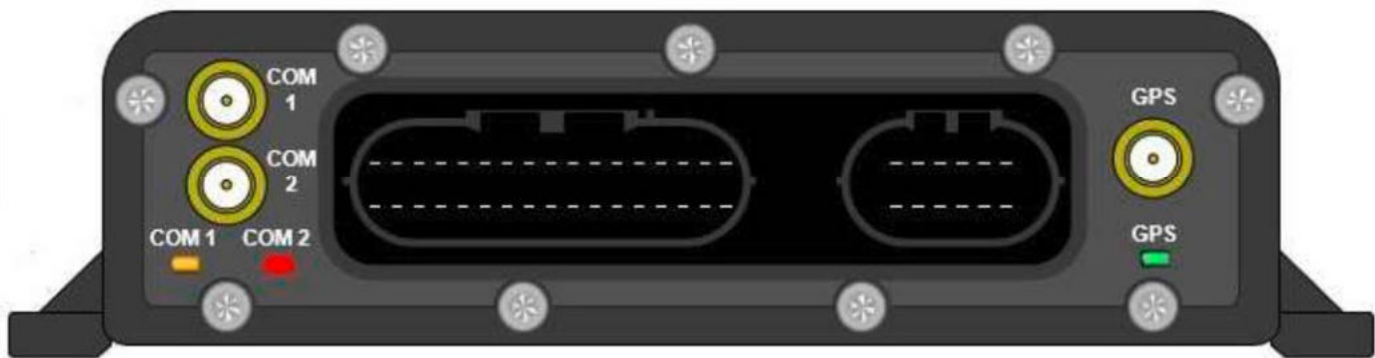
COM 1 “Cellular” LED (Orange) Definitions

Condition	LED
Modem Off	Off
Com On – Searching	Slow Blinking
Network Available	Fast Blinking
Registered but no Inbound Acknowledgement	Alternates from Solid to Fast Blink every 1 second
Registered and Received Inbound Acknowledgement (Properly Activated)	Solid

GPS LED (Green) Definitions

Condition	LED
GPS Off	Off
GPS On	Slow Blinking
GPS Time Sync	Fast Blinking
GPS Fix (Properly Activated)	Solid

LED Status Indicators



Antenna Connections



Should you have any further questions outside of this guide please contact Jonathan Martinez at:

Email: jmartinez@takeuchi-us.com

Cell: (706)-429-7061

TFM Fuse Details

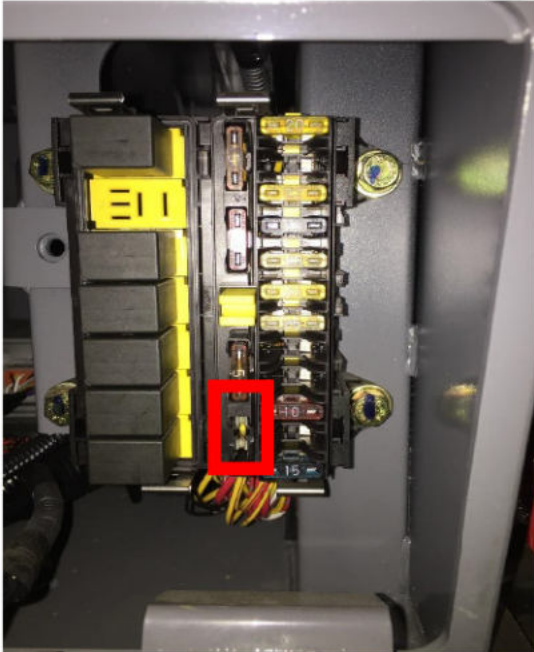
TB230 TB240 TB260 Uninstalled Fuse Example



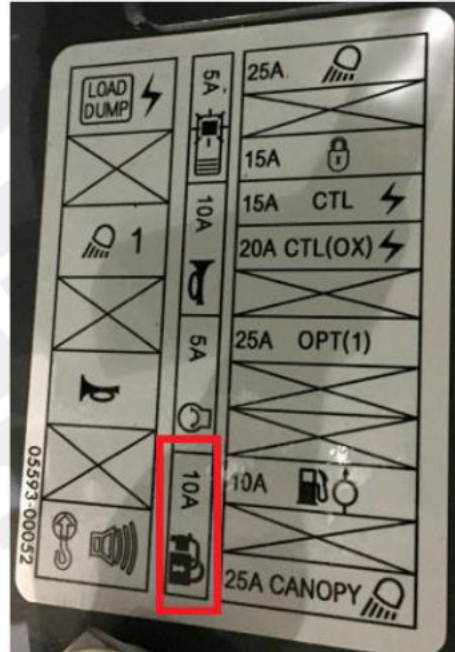
TB230 TB240 TB260 Uninstalled Fuse Example Cover Open



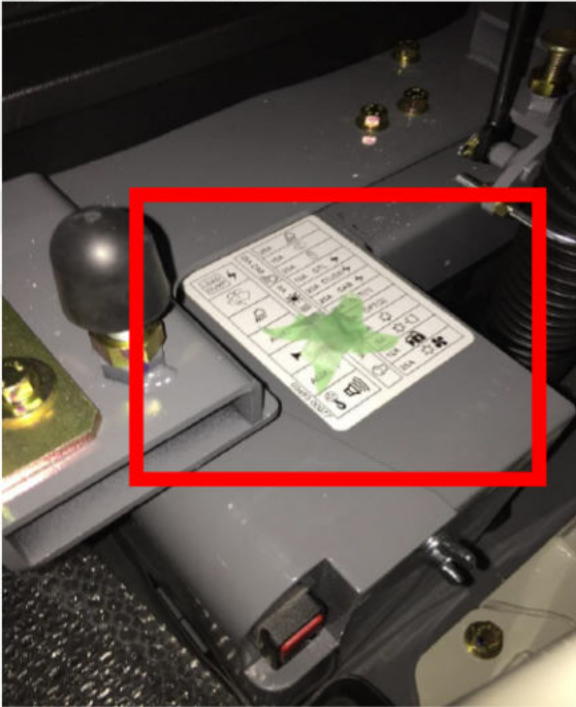
TB230 TB240 TB260 Uninstalled Fuse Example 2 Cover Open



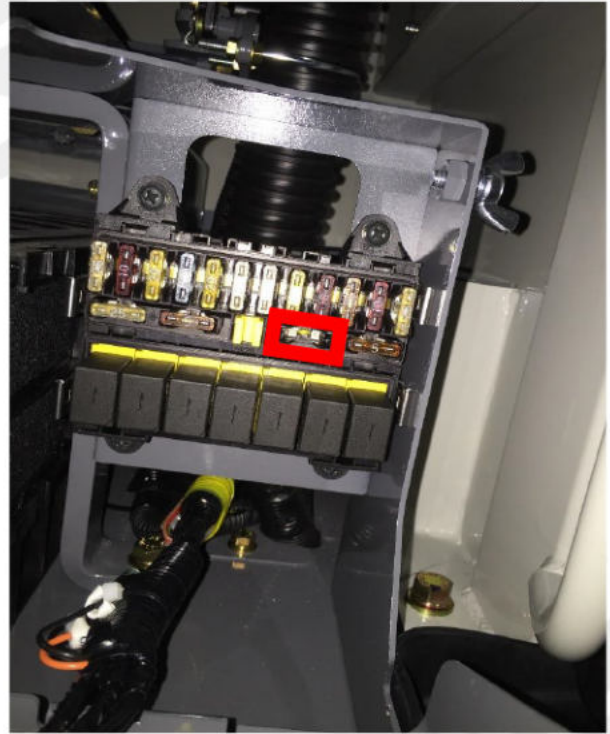
TB230 TB240 TB260 Fuse Detail



TB290 Uninstalled Fuse Example



TB290 Uninstalled Fuse Example Cover Open



TB290 Fuse Detail



TB2150 Uninstalled Fuse Example



TB2150 Uninstall Fuse Example Cover Open



TB2150 Fuse Detail

25A				10A OPT(12V)
10A			10A	
15A OPT(2)			10A	
10A OPT(1)			3A 	
25A CAB			25A	
10A			30A	
10A	5A OPT(12V)	20A		
20A		15A	30A	
10A		5A	10A	
20A		3A	10A	

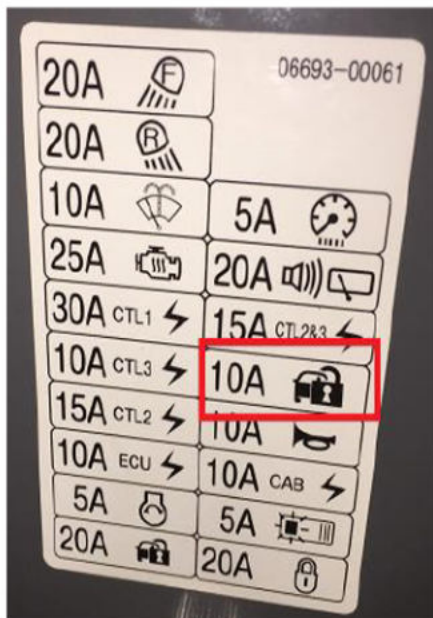
TL8 Uninstalled Fuse Example



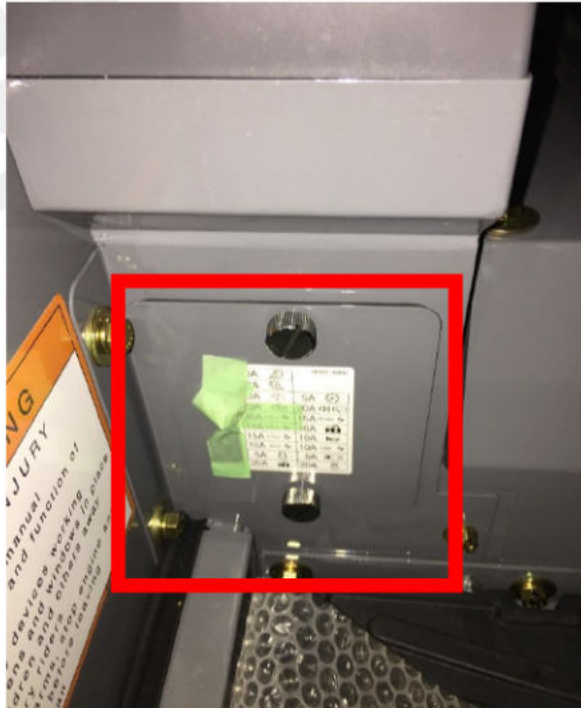
TL8 Uninstalled Fuse Example Cover Open



TL8 Fuse Detail



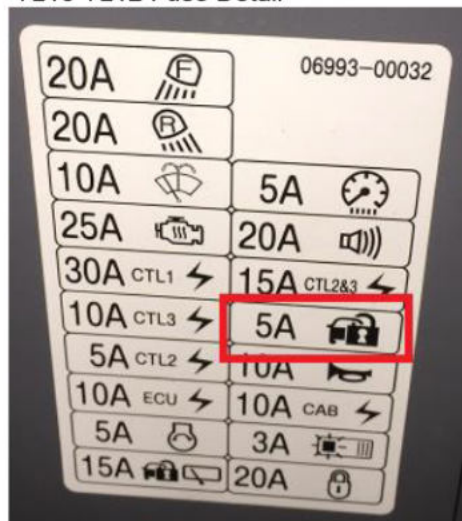
TL10 TL12 Uninstalled Fuse Example



TL10 TL12 Uninstalled Fuse Example Cover Open



TL10 TL12 Fuse Detail














TL10V2 TL12R2 TL12V2 Uninstalled Fuse Example



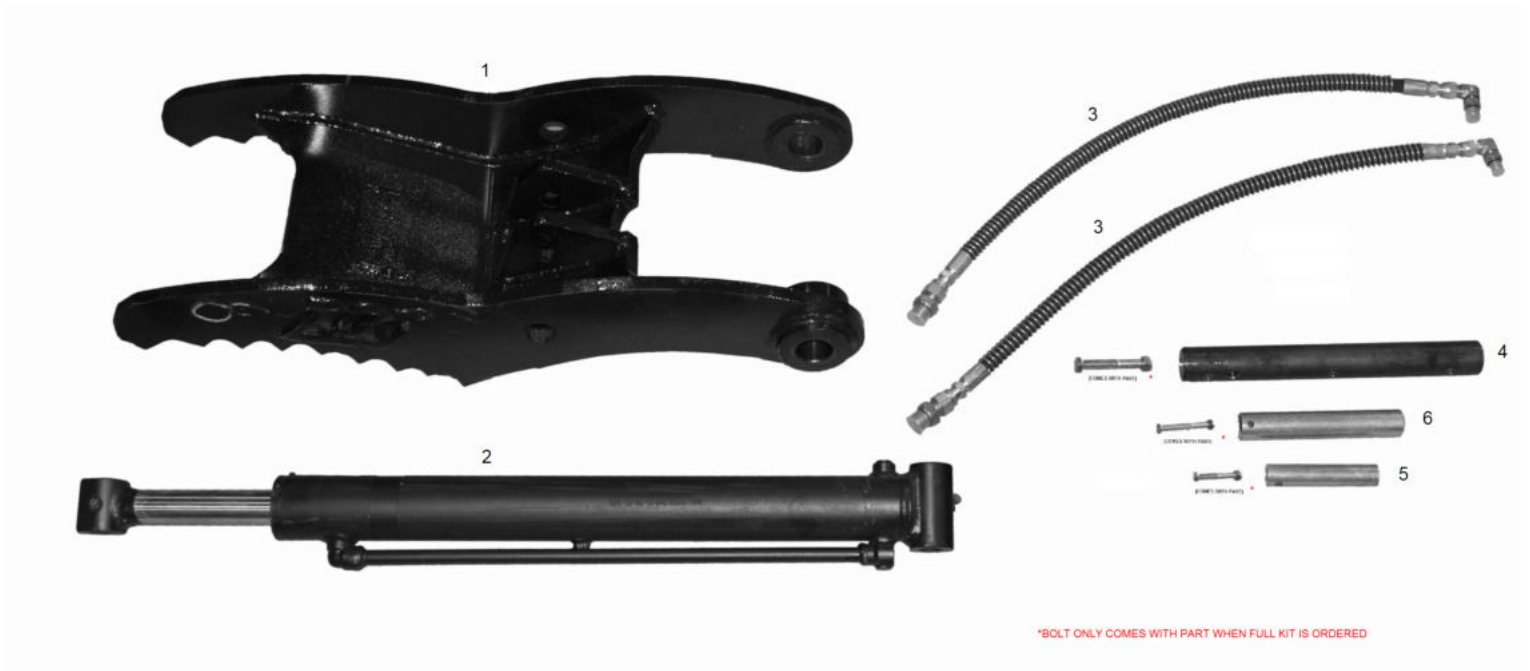
TL10V2 TL12R2 TL12V2 Uninstall Fuse Example Cover Open



TL10V2 TL12R2 TL12V2 Fuse Detail

			ECU	MAIN RELAY (ECU)					DEF HEATER		
25A	25A	5A	30A	5A	25A	10A	20A	10A	30A	20A	5A
30A	OPT	3A					3A				

KITS, ATTACHMENTS & QUICK REFERENCE THUMBS (TB260)



Item	Part No.	Name	Qty	Uom	Remarks	SERIAL NUMBER
-	PNNA	TB260 THUMB		EA		
-	ATH260K	HYDRAULIC THUMB KIT (INSTALLED)	1	EA	ITEM NOT PICTURED	
1	02600260TA	BODY (THUMB)	1	EA		
2	1900000260	CYLINDER (HYDRAULIC THUMB)	1	EA	**PLEASE CONFIRM IF THIS IS FOR AN OLD STYLE OR NEW STYLE CYLINDER**	
2	1900000260S	KIT, seal (THUMB CYLINDER) (TB260)	1	EA	ITEM NOT PICTURED	
3	ATHTHUMBHOSE	HOSE (THUMB) (NEW STYLE)	2	EA		
4	00260026PA	PIN (MAIN THUMB)	1	EA	**BOLT ONLY COMES WITH PART WHEN FULL KIT IS ORDERED**	
5	01350135PC	PIN (CYLINDER HEAD)	1	EA	**BOLT ONLY COMES WITH PART WHEN FULL KIT IS ORDERED**	
6	01350135P2	PIN (CYLINDER ROD)	1	EA	**BOLT ONLY COMES WITH PART WHEN FULL KIT IS ORDERED**	
7	1900000260S	KIT, seal (THUMB CYLINDER) (TB260)	1	EA	ITEM NOT SHOWN	

Appendix A:Pages Index	
ACCUMULATOR	261
AIR CONDITIONER (1/4) (compressor)	475
AIR CONDITIONER (2/4) (condenser)	477
AIR CONDITIONER (3/4) (air-conditioner unit-1) 1	479
AIR CONDITIONER (3/4) (air-conditioner unit-1) 2	481
AIR CONDITIONER (4/4) (air-conditioner unit-2)	483
ANGLE BLADE CYLINDER	661
ARM (1/2) (for U.S.) (long arm) (with 2nd aux. line)	515
ARM (2/2) (for U.S.) (long arm) (with 2nd aux. line)	519
ARM CYLINDER	653
AUTO DECEL	259
BATTERY	179
BLOCK ASSY; No. 1	577
BLOCK ASSY; No. 10	593
BLOCK ASSY; No. 10 (with 3rd aux. line)	595
BLOCK ASSY; No. 11 (angle blade type)	597
BLOCK ASSY; No. 11 (with 3rd aux. line)	599
BLOCK ASSY; No. 12 (angle blade type)	601
BLOCK ASSY; No. 12 (with 3rd aux. line)	603
BLOCK ASSY; No. 13 (with 3rd aux. line)	605
BLOCK ASSY; No. 14	607
BLOCK ASSY; No. 2	579
BLOCK ASSY; No. 3	581
BLOCK ASSY; No. 5	583
BLOCK ASSY; No. 6	585
BLOCK ASSY; No. 7	587
BLOCK ASSY; No. 8	589
BLOCK ASSY; No. 9	591
BLOCK HEATERS	803
BOOM (1/4) (with boom shut-off valve + 2nd aux. line)	491
BOOM (1/4) (with shut-off valve + 2nd aux. line)	485
BOOM (1/4) (with shut-off valve + 3rd aux. line)	497
BOOM (1/4) (with shut-off valve + 4th aux. line)	503
BOOM (2/4) (with boom shut-off valve + 2nd aux. line)	495
BOOM (2/4) (with shut-off valve + 2nd aux. line)	489
BOOM (2/4) (with shut-off valve + 3rd aux. line)	501
BOOM (2/4) (with shut-off valve + 4th aux. line)	507
BOOM (3/4) (boom cylinder) (with shut-off valve)	509
BOOM (4/4) (arm cylinder)	513
BOOM (4/4) (arm cylinder) (with shut-off valve)	511
BOOM CYLINDER	651
BOOM SWING	53
BUCKET CYLINDER	655
BUCKETS-BLADES-ATTACHMENTS (TB260)	805
CAB (1/4) 1	423
CAB (1/4) 2	427
CAB (1/4) 3	429
CAB (1/4) 4	431
CAB (2/4) (door)	435
CAB (3/4) (front sash) (126100003-126100061)	437
CAB (3/4) (front sash) (126100062-)	439
CAB (4/4) (side sash)	441
CAB INTERIOR (with auto tank switch) 1	451
CAB INTERIOR (with auto tank switch) 2	455
CAB INTERIOR 1	443
CAB INTERIOR 2	447
CAB LIGHT	181
CAB MOUNT	421
CANOPY	461
CARRIER ROLLER	15
CENTER GUIDE (option)	3
CONTROL BOX (L.H.) (cab)	151
CONTROL BOX (L.H.) (canopy)	153
CONTROL BOX (R.H.) (cab)	145
CONTROL BOX (R.H.) (canopy)	147
CONTROL VALVE	573
CONTROL VALVE (with 3rd aux. line)	575
COVER (1/3) (cab)	353
COVER (1/3) (canopy)	361
COVER (2/3) (cab) (engine hood)	357
COVER (2/3) (canopy) (engine hood)	365
COVER (3/3) (side cover)	369
CRAWLER BELT (rubber)	5
CRAWLER BELT (segment rubber crawler)	9
CRAWLER BELT (steel)	7
CRAWLER GUIDE (for steel crawler)	13
DECAL (angle blade) (cab)	551
DECAL (angle blade) (canopy)	553
DECAL (breaker)	543
DECAL (cab) (English, for U.S.) 1	521
DECAL (cab) (English, for U.S.) 2	525
DECAL (canopy) (English, for U.S.) 1	529
DECAL (canopy) (English, for U.S.) 2	533
DECAL (foot switch)	537
DECAL (grip button) (cab)	539
DECAL (grip button) (canopy)	541
DECAL (selector valve) (A-B pattern)	549
DECAL (selector valve) (cab)	545
DECAL (selector valve) (canopy)	547
DOZER BLADE	31
DOZER BLADE (angle blade type)	33
DOZER BLADE CYLINDER	659
DOZER BLADE LEVER	65
DOZER BLADE LEVER (angle blade type) (cab)	67
DOZER BLADE LEVER (angle blade type) (canopy)	69
DPF CLEANING ORDER FORM - REV 021418	711, 769
DPF CLEANING PROGRAM REV 021418	709, 767
ELECTRICAL (canopy) 1	167
ELECTRICAL (canopy) 2	169
ELECTRICAL (canopy) 3	171
ELECTRICAL (canopy) 4	173
ELECTRICAL (with travel alarm) 1	155
ELECTRICAL (with travel alarm) 2	157
ELECTRICAL (with travel alarm) 3	159
ELECTRICAL (with travel alarm) 4	163
ENGINE & ACCESSORIES (1/3) (cab) (126100076-) 1	119
ENGINE & ACCESSORIES (1/3) (cab) (126100076-) 2	123
ENGINE & ACCESSORIES (1/3) (cab) 126100003-126100075) 1	111
ENGINE & ACCESSORIES (1/3) (cab; 126100003-126100075) 2	115

ENGINE & ACCESSORIES (1/3) (canopy) 1	131	GPS DEVICE (cab)	175
ENGINE & ACCESSORIES (1/3) (canopy) 2	135	GPS DEVICE (canopy)	177
ENGINE & ACCESSORIES (2/3) (cab)	127	GREASE PIPING	189
ENGINE & ACCESSORIES (2/3) (canopy)	139	GRIP PATTERN CHANGE KIT	567
ENGINE & ACCESSORIES (3/3) (air cleaner)	143	HANDLE (3-switch type)	615
EXCAVATOR ATTACHMENT MOUNT QUICK REFERENCE GUIDE	807	HANDLE (4-switch type)	617
FLOOR FRAME (1/2) (cab) (126100003-126100081)	371	HYDRAULIC PUMP (1/3) 1	681
FLOOR FRAME (1/2) (cab) (126100082-)	377	HYDRAULIC PUMP (2/3) 2	683
FLOOR FRAME (1/2) (canopy) (126100003-126100097)	383	HYDRAULIC PUMP (3/3) 3	685
FLOOR FRAME (1/2) (canopy) (126100098-)	389	HYDRAULIC TANK (1/2)	317
FLOOR FRAME (2/2) (cab) (126100003-126100081)	375	HYDRAULIC TANK (2/2)	319
FLOOR FRAME (2/2) (cab) (126100082-)	381	LOWER FRAME	1
FLOOR FRAME (2/2) (canopy) (126100003-126100097)	387	MAINTENANCE TOOL KIT	565
FLOOR FRAME (2/2) (canopy) (126100098-)	393	OPERATION LEVER & STAND (L.H.) (cab)	71
FLOOR MAT (cab)	395	OPERATION LEVER & STAND (L.H.) (canopy) (126100003-126100563)	77
FLOOR MAT (cab) (with foot switch)	397	OPERATION LEVER & STAND (L.H.) (canopy) (126100564-)	81
FLOOR MAT (canopy)	399	OPERATION LEVER & STAND (R.H.) (cab)	75
FRONT GUARD	465	OPERATION LEVER & STAND (R.H.) (canopy) (126100003-126100563)	85
FRONT IDLER	19	OPERATION LEVER & STAND (R.H.) (canopy) (126100564-)	87
FRONT STAY	469	PAINTED COLOR (cab)	557
FUEL TANK & FUEL PIPING (1/2) (126100003-126100031) 1	321	PAINTED COLOR (cab) (for Sunbelt Rentals)	559
FUEL TANK & FUEL PIPING (1/2) (126100003-126100031) 2	323	PAINTED COLOR (canopy)	561
FUEL TANK & FUEL PIPING (1/2) (126100032-) 1	329	PAINTED COLOR (canopy) (for Sunbelt Rentals)	563
FUEL TANK & FUEL PIPING (1/2) (126100032-) 2	331	PILOT VALVE (L.H.) (3-switch type)	613
FUEL TANK & FUEL PIPING (1/3) (with fuel supply pump) 1	339	PILOT VALVE (R.H.) (3-switch type)	609
FUEL TANK & FUEL PIPING (1/3) (with fuel supply pump) 2	343	PILOT VALVE (R.H.) (4-switch type)	611
FUEL TANK & FUEL PIPING (2/2) (126100003-126100031)	327	PIPING; LOWER	37
FUEL TANK & FUEL PIPING (2/2) (126100032-126100940)	335	PIPING; LOWER (angle blade type)	39
FUEL TANK & FUEL PIPING (2/2) (126100941-)	337	PIPING; LOWER (with aux. line)	41
FUEL TANK & FUEL PIPING (2/3) (with fuel supply pump) (126100003-126100940)	347	PIPING; OPERATION LEVER (A-G pattern) (without shut-off valve) 2	109
FUEL TANK & FUEL PIPING (2/3) (with fuel supply pump) (126100941-)	349	PIPING; OPERATION LEVER (A-G pattern) (cab) 1	93
FUEL TANK & FUEL PIPING (3/3) (with fuel supply pump)	351	PIPING; OPERATION LEVER (A-G pattern) (cab) 2	97
Fig.1 CYLINDER BLOCK	689, 747	PIPING; OPERATION LEVER (A-G pattern) (canopy) 1	99
Fig.10 CRANKSHAFT & PISTON	717, 775	PIPING; OPERATION LEVER (A-G pattern) (canopy) 2	103
Fig.11 LUB.OIL SYSTEM	719, 777	PIPING; OPERATION LEVER (A-G pattern) (without shut-off valve) 1	105
Fig.12 LUB.OIL PIPE	721, 779	PIPING; OPERATION LEVER 1	89
Fig.13 COOLING WATER SYSTEM	723, 781	PIPING; OPERATION LEVER 2	91
Fig.14 FUEL SUPPLY PUMP	727, 785	PIPING; UPPER (with blade float) 3	295
Fig.15 FUEL INJECTION VALVE	729, 787	PIPING; UPPER (with blade float) 4	297
Fig.16 FUEL PIPE	731, 789	PIPING; UPPER (3rd aux. line plug type & with auto tank) 1	269
Fig.17 STARTING MOTOR	733, 791	PIPING; UPPER (3rd aux. line plug type & with auto tank) 2	271
Fig.18 GENERATOR	735, 793	PIPING; UPPER (3rd aux. line plug type & with auto tank) 3	273
Fig.19 ELECTRONIC CONTROL UNIT (ECU)	739, 795	PIPING; UPPER (3rd aux. line plug type) 1	263
Fig.2 GEAR HOUSING	691, 749	PIPING; UPPER (3rd aux. line plug type) 2	265
Fig.20 ELECTRIC PARTS	741, 797	PIPING; UPPER (3rd aux. line plug type) 3	267
Fig.21 GASKET SET	743, 799	PIPING; UPPER (angle blade type) (without shut-off valve) 1	307
Fig.3 FLYWHEEL HOUSING & OIL SUMP	693, 751	PIPING; UPPER (angle blade type) (without shut-off valve) 2	309
Fig.4 CYLINDER HEAD & BONNET	695, 753	PIPING; UPPER (angle blade type) (without shut-off valve) 3	311
Fig.5 SUCTION MANIFOLD	699, 757	PIPING; UPPER (angle blade type) (without shut-off valve) 4	313
Fig.6 EXHAUST MANIFOLD	701, 759	PIPING; UPPER (angle blade type) 1	299
Fig.7 DIESEL PARTICULATE FILTER (DPF)	705, 763	PIPING; UPPER (angle blade type) 2	301
Fig.8 CAMSHAFT & DRIVING GEAR	712, 770	PIPING; UPPER (angle blade type) 3	303
Fig.9 TURBINE	715, 773	PIPING; UPPER (angle blade type) 4	305
		PIPING; UPPER (with 3rd aux. line) 1	275
		PIPING; UPPER (with 3rd aux. line) 2	277

PIPING; UPPER (with 3rd aux. line) 3	279	TFM-FUSE DETAIL 11-18-16	821
PIPING; UPPER (with 3rd aux. line) 4	281	THUMBS (TB260)	827
PIPING; UPPER (with 4th aux. line, auto tank & auto pressure release) 1	283	TOOL & ACCESSORIES	555
PIPING; UPPER (with 4th aux. line, auto tank & auto pressure release) 2	285	TRACK ADJUSTER	21
PIPING; UPPER (with 4th aux. line, auto tank & auto pressure release) 3	287	TRACK ROLLER	17
PIPING; UPPER (with 4th aux. line, auto tank & auto pressure release) 4	289	TRAVEL DEVICE	23
PIPING; UPPER (with blade float) 1	291	TRAVEL LEVER & SWING PEDAL	57
PIPING; UPPER (with blade float) 2	293	TRAVEL LEVER & SWING PEDAL (with travel alarm)	61
PUMP DRIVE	315	TRAVEL MOTOR (1/3) (reduction sec.) (126100003-126101286)	663
QUICK COUPLER (TB260)	808	TRAVEL MOTOR (1/3) (reduction sec.) (126101287-)	669
RADIO	187	TRAVEL MOTOR (2/3) (motor sec.) (126100003-126101286)	665
RAIN GUARD	467	TRAVEL MOTOR (2/3) (motor sec.) (126101287-)	671
REAR LIGHT	183	TRAVEL MOTOR (3/3) (valve sec.) (126100003-126101286)	667
REAR STAY	471	TRAVEL MOTOR (3/3) (valve sec.) (126101287-)	673
RECOMMENDED STOCK LIST (TB260)	811	TURNTABLE (cab)	45
REMOTE CONTROL VALVE (angle blade)	639	TURNTABLE (canopy)	49
REMOTE CONTROL VALVE (dozer blade)	637	VALVE & ACCESSORIES (1/2) (with blade float) 1	229
REMOTE CONTROL VALVE (swing)	635	VALVE & ACCESSORIES (1/2) (with blade float) 2	231
REMOTE CONTROL VALVE (travel)	633	VALVE & ACCESSORIES (1/2) (3rd aux. line plug type & with auto tank) 1	197
ROOF GUARD	473	VALVE & ACCESSORIES (1/2) (3rd aux. line plug type & with auto tank) 2	199
RUBBER PADS	11	VALVE & ACCESSORIES (1/2) (3rd aux. line plug type) 1	191
SEAT (1/2) (cab)	401	VALVE & ACCESSORIES (1/2) (3rd aux. line plug type) 2	193
SEAT (1/2) (canopy)	403	VALVE & ACCESSORIES (1/2) (angle blade type) (without shut-off valve) 1	249
SEAT (2/2) (cab) (126100003-126101887)	405	VALVE & ACCESSORIES (1/2) (angle blade type) (without shut-off valve) 2	251
SEAT (2/2) (cab) (126101888-)	409	VALVE & ACCESSORIES (1/2) (for angle blade) 1	239
SEAT (2/2) (canopy) (126100003-126101926)	407	VALVE & ACCESSORIES (1/2) (for angle blade) 2	241
SEAT (2/2) (canopy) (126101927-)	415	VALVE & ACCESSORIES (1/2) (with 3rd aux. line) 1	207
SELECTOR VALVE (A-G pattern)	641	VALVE & ACCESSORIES (1/2) (with 3rd aux. line) 2	209
SHUT-OFF VALVE (arm) (126100003-126101991)	647	VALVE & ACCESSORIES (1/2) (with 4th aux. line, auto tank & auto pressure release) 1	217
SHUT-OFF VALVE (arm) (126101992-)	649	VALVE & ACCESSORIES (1/2) (with 4th aux. line, auto tank & auto pressure release) 2	219
SHUT-OFF VALVE (boom) (126100003-126102002)	643	VALVE & ACCESSORIES (2/2) (3rd aux. line plug type)	203
SHUT-OFF VALVE (boom) (126102003-)	645	VALVE & ACCESSORIES (2/2) (angle blade type)	245
SLEW BEARING	25	VALVE & ACCESSORIES (2/2) (angle blade type) (without shut-off valve)	255
SLEW MOTOR (1/2) (reduction sec.)	675	VALVE & ACCESSORIES (2/2) (with 3rd aux. line)	213
SLEW MOTOR (2/2) (motor sec.)	677	VALVE & ACCESSORIES (2/2) (with 4th aux. line, auto tank & auto pressure release)	225
SLEWING DEVICE	43	VALVE & ACCESSORIES (2/2) (with blade float)	235
SOLENOID VALVE; 1 BLOCK	623	WINDOW WASHER	185
SOLENOID VALVE; 1 BLOCK (with 3rd aux. line)	625		
SOLENOID VALVE; 1 BLOCK (with 4th aux. line)	627		
SOLENOID VALVE; 1 BLOCK (with auto pressure release)	619		
SOLENOID VALVE; 1 BLOCK (with auto tank)	621		
SOLENOID VALVE; 2 BLOCKS (for angle blade)	629		
SOLENOID VALVE; 4 BLOCKS	631		
SWING CYLINDER	657		
SWING STOPPER	55		
SWITCH	459		
SWIVEL JOINT	569		
SWIVEL JOINT & ACCESSORIES	27		
SWIVEL JOINT & ACCESSORIES (angle blade type)	29		
SWIVEL JOINT (angle blade type)	571		
TAKEUCHI FLEET MANAGEMENT COMPONENT GUIDE	814		

Appendix B:Parts Index

-	210	0003608252	46, 50, 70, 74, 80, 86, 112, 116, 120, 124, 132, 136, 354, 354, 356, 362, 362, 364, 402, 404, 446, 454, 462
0001524503	516, 516	0003609003	74, 78, 82, 130, 140
0001613012	34	0003610002	34
0001614009	32, 34	0003900020	516
0001614010	516	0003900035	422, 424, 464, 510
0001614190	54	0003900054	354, 362
0001616001	32, 34	0003900055	354, 362
0001616004	516	0003900056	354, 362
0001616005	486, 492, 498, 504	0003900072	462
0001618004	34	0003900073	462
0001618170	486, 492, 498, 504	0003900074	462
0001675003	486, 492, 498, 504	0003900081	54
0001694012	54	0003900085	486, 492, 498, 504
0001794015	516	0003900092	54
0001794016	516	0007000031	320
0001900168	34	0007000070	72
0002100032	516	0007000096	432
0002200014	32, 34	0007000123	444, 452
0002400038	34	0007200154	38, 40, 42, 262
0002400075	520	0007200222	262
0002706500	490, 496, 502, 508	0007203025	316
0003048002	520	0007203034	196, 202, 234
0003600020	116, 124, 136	0007203048	190
0003600024	46, 50	0007203057	28
0003600025	84, 88, 192, 198, 208, 218, 230, 240, 250, 354, 362	0007203059	44, 206, 216, 228, 238, 248, 258, 316
0003600026	354, 362, 372, 378, 384, 390	0007203063	44
0003600043	446, 454	0007210028	28
0003600055	54, 518	0007213010	204, 214, 226, 236, 246, 266, 278, 286, 294, 300, 302, 316, 316
0003600056	54, 518	0007213011	204, 214, 222, 226, 236, 246, 256
0003600057	486, 492, 498, 504	0007213013	204, 214, 226, 236, 246, 256
0003600079	116, 124, 128, 132, 136, 140	0007213014	216, 228
0003600108	488, 494, 500, 506, 518	0007213016	30, 44
0003600109	488, 494, 500, 506, 518	0007213023	216, 228
0003600110	178, 446, 454	0007213025	204, 214, 226, 236, 246, 256
0003600156	488, 494, 500, 506, 518	0007213038	28, 30
0003600159	486, 492, 498, 504	0007213073	204, 214, 226, 236, 246, 256
0003600209	488, 494, 500, 506	0007213083	128, 140
0003600210	488, 494, 500, 506	0007223005	194, 200, 212, 222, 232, 242, 252
0003600211	488, 494, 500, 506	0007224015	128, 140
0003600214	36, 488, 494, 500, 506	0007300003	40
0003600215	36, 488, 494, 500, 506	0007300018	480
0003600222	476	0007300019	480
0003600223	476	0007300030	512
0003600235	46, 50	0007300050	488, 494, 500, 506
0003600240	112, 120, 132	0007300058	514, 516
0003600241	112, 120, 132	0007300065	480
0003600244	64	0007990091	222, 228
0003600251	36	0008500060	522, 522, 526, 526, 530, 534
0003600305	46, 52	0008500332	522, 526, 530, 534
0003600306	46, 52	0008503004	522, 526, 530, 534
0003600307	48, 50	0008503005	522, 526, 530, 534
0003600308	34	0008503022	522, 526
0003606202	162, 172, 478	0008503030	524, 528, 532, 534
0003608003	146, 150	0008503031	524, 528, 532, 534

0008505006	522, 526, 530, 534	0359332200	546, 548
0008505022	522, 526	0359332300	546, 548
0008505024	522, 526	0359347020	524, 528, 530, 534
0011577006	486, 492, 498, 504	0373200004	64
0011905006	486, 492, 498, 504	0373200005	64
00260026PA	828	0373500224	400
0068620400	436	0374200006	170
0083252100	72, 428, 428, 428	0374508140	372, 378
0093208300	72, 80, 84	0374508155	372, 378
0097022400	38, 40, 42	0375100008	86, 88
01350135P2	828	0375100021	78, 82
01350135PC	828	0375100025	78, 82
0189311800	522, 526	0375100045	88
02600260PA	516, 518	0375100054	148
02600260TA	828	0375100064	82
0329360060	522, 526, 530, 534	0375100069	82, 88
0329360100	522, 526, 530, 534	0375100071	88
0333234260	58, 62	0375100072	82, 88
0333241250	58, 62	0375100076	82, 88
0334300016	154	0375100077	82, 88
0334300017	154	0375100083	82
0334300019	148	0375109110	72, 76, 610, 612, 614
0334300020	148	0376006282	486, 492, 498, 504
0334300022	148	0378100100	336, 348
0334300024	148	0378219330	424, 462
0334300031	148	0378400019	462
0334300037	148	0378400033	462
0334300039	148	0378400072	462
0334300040	148	0378600055	426
0334340191	148	0378606131	146
0335100027	78, 82	0378606134	444, 452
0335100031	78, 82	0378606250	444, 452
0335100053	78, 82	0378606280	444, 452
0335120970	72, 78, 82	0378607980	432
0338100002	328, 336, 338, 348, 350	0379207010	556
0339354100	550	0379366006	522, 526, 530, 534
0339375040	524, 528, 532, 534	0379368902	550
0339376240	524, 528, 532, 536	0379369110	552, 554
0343503200	354, 362	0379369120	552, 554
0348103450	328, 336, 338, 348, 350	0379369130	552, 554
0348103490	328, 336, 338, 348, 350	0391004003	2
0353500203	396	0391013002	2
0354200020	160, 172	0392000100	26
0358600101	442	0393113155	54
0358600102	442	0393114021	54
0358600107	442	0393114022	54
0358600108	442	0393114023	54
0358600114	442	0393517250	374, 378, 384, 390
0359300052	524, 528, 530, 534	0394021028	112, 120, 132
0359306600	522, 526, 530, 534	0394021050	112, 120, 132
0359306700	522, 526, 530, 534	0394026070	128, 140
0359313700	522, 526, 530, 534	0394032691	128, 140
0359313900	522, 526, 530, 534	0394203100	148, 164, 174
0359325190	522, 526, 530, 534	0394617670	482
0359325220	544	0395012150	488, 494, 500, 506

0395206100	316	0553000012	50
0395209710	316	0553000013	46
0395209712	316	0553000017	46, 50
0399300400	522, 526, 530, 534	0553000020	46, 50
0399300500	524, 524, 526, 526, 530, 534	0553000022	46, 50
0433105700	34, 54	0553000052	46, 50
0433503100	372, 378, 384, 390	0553000056	46, 50
0433503200	372, 378, 384, 390	0553000063	46, 50
0434200600	488, 494, 500, 506	0553000084	46, 50
043623-000	374, 380, 386, 392	0553000086	46, 50
0437200100	38, 40, 42	0553000115	52
0442100100	28	0553000118	46, 50
0456008600	54, 518	0553000123	48, 52
0550100016	568	0553000124	46, 50
0550100017	568	0553003093	46, 50
0551100002	8	0553100006	54
0551200700	16	0553100130	54
0551200701	16	0553100220	54
0551200702	16, 20	0553100300	54
0551200703	16	0553200007	64
0551200704	16	0553200015	64
0551200705	16	0553200016	64
0551300900	18	0553300006	66
0551300901	18	0553300020	70
0551300902	18	0553400001	402
0551300903	18	0553400005	404
0551300904	18	0553500098	374, 380, 384, 390
0551300905	18	0553500118	372, 380, 386
0551300906	18	0553500129	376, 382, 388, 394
0551300908	18	0553500131	376, 382, 388, 394
0551300909	18	0553500133	372, 380, 386, 390
0551401100	20	0553500135	386
0551401101	20	0553500136	376, 382, 388, 394
0551401102	20	0553500138	376, 382, 388, 394
0551401103	20	0553500149	372, 378
0551401104	20	0553500158	372, 378
0551401106	20	0553500178	376, 382, 388, 394
0551401107	20	0553500179	376, 382, 388, 394
0551501500	22	0553500180	376, 382, 388, 394
0551501501	22	0553500182	376, 382, 388, 394
0551501502	22	0553500183	376, 382, 388, 394
0551501503	22	0553500184	376, 382, 388, 394
0551501504	22	0553500185	376, 382, 388, 394
0551501505	22	0553500186	376, 382, 388, 394
0551501600	22	0553500187	376, 382, 388, 394
0551501601	22	0553500188	376, 382, 388, 394
0551501602	22	0553500191	376, 382, 388, 394
0551501603	22	0553500192	376, 382, 388, 394
0551600120	24	0553500193	376, 382, 388, 394
0551700009	14	0553500194	376, 382, 388, 394
0551700010	14	0553500195	376, 382, 388, 394
0551700012	4	0553500197	372, 378, 384, 390
0552100110	30	0553500198	372, 378, 384, 390
0552400002	190	0553500199	376, 382, 388, 394
0553000006	46, 50	0553500203	372, 378, 384, 390

0553500219	398	0554000261	136
0553500227	372, 378	0554000265	124, 136
0553500228	372, 378	0554000266	124, 136
0553500238	372	0554000281	122, 134
0553500273	372, 378	0554000284	128, 140
0553500276	372, 378	0554000316	128, 140
0553500278	374, 380	0554000318	462
0553500279	396	0554000319	462
0553500281	376	0554000345	116, 124, 136, 812
0553500302	376, 382, 388, 394	0554002001	116, 124, 136, 812
0553500314	376, 382, 388, 394	0554002003	112, 120, 132
0553500315	372, 378	0554002006	128, 140
0553500319	378, 384	0554002010	112, 120, 132
0553500326	382, 388	0554002020	112, 120, 132
0553500345	384	0554003005	112
0553500346	384, 390	0554003006	128, 140
0553500353	400	0554200025	160, 172
0553500357	390	0554200039	164, 174
0553500362	394	0554200042	160
0553500374	390	0554200046	158
0553500376	400	0554200057	158
0553500383	400	0554200058	160, 172
0553500387	390	0554200059	160
0553503004	372, 378, 384, 390	0554200060	160, 172
0554000103	116	0554200061	156, 168
0554000105	116	0554200063	158
0554000108	116	0554200064	162, 172
0554000112	128	0554200065	170
0554000115	128, 140	0554200067	160, 172
0554000118	116	0554200068	164, 174
0554000128	116, 124, 136	0554200080	174
0554000134	128, 140	0554200097	170
0554000135	116, 124, 136	0554200104	158
0554000136	116, 124, 136	0554200117	158
0554000137	128	0554200139	158
0554000139	116, 124, 136	0554204027	160, 172
0554000141	128, 140	0554300005	148
0554000154	112, 120, 132	0554400005	180
0554000155	112, 120, 132	0554400009	180
0554000157	112, 120, 132	0554400014	180
0554000172	128, 140	0554400015	180
0554000185	116	0554401050	180
0554000196	112, 120, 356, 360	0554600017	478
0554000203	124, 136	0554600025	482
0554000215	134	0554600028	478
0554000223	116	0554600029	480
0554000224	116	0554600030	482
0554000225	116	0554600036	480
0554000227	134	0554600042	480
0554000239	140	0554600043	480
0554000243	140	0554600044	476
0554000247	134	0554600049	476
0554000251	124, 136	0554600054	478
0554000254	124, 136	0554600057	478
0554000257	124, 136	0554600058	476

0554600060	476	0556112300	516
0554600062	480	0556113030	516
0554600075	478	0556113040	516
0554600081	476	0556300005	34
0554602240	478	0556300048	34
0554602350	480	0556300049	34
0554603101	482	0556300050	32, 34
0555002220	204, 214, 226, 236, 246, 256	0556300061	34
0555002270	200, 222	0556300063	36
0555002370	194, 212, 232, 242, 252	0556300100	32
0555003010	262	0557000007	266, 272, 278, 286, 294, 300, 302, 310, 314
0555100006	76	0557000008	266, 272, 278, 286, 294, 302, 310
0555100018	80, 84	0557000009	268, 274, 280, 288, 296, 304, 312
0555100025	86	0557000015	268, 274, 280, 288, 296, 304, 312
0555100028	86, 88	0557000016	268, 274, 280, 288, 296, 304, 312
0555100036	78, 86	0557000017	268, 274, 280, 288, 296, 304, 312
0555200002	316	0557000018	268, 274, 280, 288, 296, 304, 312
0555201020	316	0557000019	268, 274, 280, 288, 296, 304, 312
0556000000	490, 496, 502, 508	0557000021	268, 274, 280, 288, 296, 304, 312
0556000001	486, 492, 498, 504	0557000022	268, 274, 280, 288, 296, 304, 312, 314
0556000002	486, 492, 498, 504	0557000023	282, 290
0556000007	490, 496, 502, 508	0557000024	282, 290
0556000019	510	0557000025	266, 272, 278, 286, 294, 302, 310
0556000024	488, 500, 506	0557000026	290
0556000025	488, 500, 506	0557000027	290
0556000031	512	0557000028	290
0556024300	488, 494, 500, 506	0557000029	290
0556025001	486, 492, 498, 504	0557000031	288
0556025002	500, 506	0557000032	268, 274, 280, 288, 296, 304
0556025010	490, 496, 502, 508	0557000033	268, 274, 280, 288, 296, 304
0556025020	490, 496, 502, 508	0557000034	266, 272, 278, 286, 294, 302, 310
0556025030	490, 502, 508	0557000035	268, 274, 280, 288, 296, 304
0556025040	490, 496, 502, 508	0557000036	282, 290
0556025050	490, 496, 502, 508	0557000037	278, 286, 294, 302, 310
0556025060	490, 496, 502, 508	0557000038	264, 276, 292, 300, 308
0556025070	490, 496, 502, 508	0557000039	270, 284
0556025080	502, 508	0557000041	290
0556025090	502, 508	0557000042	290
0556025220	510	0557000043	290
0556025360	512	0557000044	290
0556025370	512	0557000045	288
0556025410	508	0557000046	268, 274, 280, 296, 304
0556025420	508	0557000047	268, 274, 280, 296, 304
0556025430	486, 498, 504	0557000048	264, 270, 276, 284, 292, 300, 308
0556025440	486, 498, 504	0557000052	266, 272, 278, 286, 294, 302, 310
0556025450	486, 498, 504	0557000056	266, 272, 278, 286, 294, 302, 310
0556026001	488, 492	0557000057	266, 272, 278, 286, 294, 302, 310
0556026010	492	0557000062	266, 272
0556026020	486, 492, 498, 504	0557000063	298, 306, 314
0556100013	520	0557000064	298, 306, 314
0556100035	520	0557000065	298, 306, 314
0556100041	520	0557000073	264, 270, 276, 284, 292, 300, 308
0556100042	518, 520	0557000074	264, 270, 276, 284, 292, 300, 308
0556111400	516	0557000078	266, 272, 278, 286, 294, 302, 310
0556111500	516	0557003010	266, 272, 278, 286, 294, 302, 310

0557003020	266, 278, 286, 294, 302	0557102150	92, 98, 104, 110
0557003030	266, 272, 278, 286, 294, 302, 310	0557102160	90, 94, 100, 106
0557003050	266, 272, 278, 286, 294, 302, 310	0557102180	90, 94, 100, 106
0557003080	266, 272, 278, 286, 294, 302, 310	0557102190	90, 94, 100, 106
0557003090	266, 272, 278, 286, 294, 302, 310	0557102210	90, 94, 100, 106
0557003120	266, 272, 278, 286, 294, 302, 310	0557102220	90, 94, 100, 106
0557003170	268, 274, 280, 288, 296, 304, 312	0557102230	92, 98, 104, 110
0557003180	268, 274, 280, 288, 296, 304, 312	0557102240	92, 98, 104, 110
0557003190	268, 274, 280, 288, 296, 304, 312	0557102250	92, 98, 104, 110
0557003210	268, 274, 280, 288, 296, 304, 312	0557102260	92, 98, 104, 110
0557003220	268, 274, 280, 288, 296, 304, 312	0557102270	92, 98, 104, 110
0557003230	268, 274, 280, 288, 296, 304, 312	0557102280	92, 98, 104, 110
0557003280	268, 274, 280, 288, 296, 304, 312	0557102290	92, 98, 104, 110
0557003290	268, 274, 280, 288, 296, 304, 312	0557102310	92, 98, 104, 110
0557003310	266, 272, 278, 286, 294, 302, 310	0557102320	92, 98, 104, 110
0557003320	266, 272, 278, 286, 294, 302, 310	0557102330	92, 98, 104, 110
0557003330	290	0557102340	92, 98, 104, 110
0557003340	290	0557102350	92, 98, 104, 110
0557003350	304, 312	0557102360	92, 98, 104, 110
0557003360	304, 312	0557102370	92, 98, 104, 110
0557003420	266, 272, 278, 286, 294, 302, 310	0557102380	92, 98, 104, 110
0557003430	264, 276, 284, 300	0557102390	92, 98, 104, 110
0557003470	306, 314	0557103020	94, 100, 106
0557003480	306, 314	0557103030	96, 100, 106
0557003490	306, 314	0557103040	96, 106
0557003510	306, 314	0557103050	96, 106
0557003520	282, 290	0557103060	94, 100, 106
0557003530	282, 290	0557103070	96, 100, 106
0557003540	282, 290	0557103080	94, 100, 106
0557003710	266, 272, 278, 286, 294, 302, 310	0557103090	94, 100, 106
0557003790	264, 276, 284, 300	0557200007	38, 40, 42
0557003830	164, 266, 272, 278, 286, 294, 302, 310	0557200008	38, 40, 42
0557003840	264, 270, 276, 284, 292, 300, 308	0557200009	38, 40, 42
0557003850	264, 270, 276, 284, 292, 300, 308	0557200012	40
0557003860	264, 270, 276, 284, 292, 300, 308	0557200013	40
0557100003	92, 98, 104, 110	0557200016	40
0557100011	100	0557200017	40
0557100012	100	0558000003	320
0557100013	100	0558100020	324, 332, 344
0557100014	100	0558100024	328, 336, 338, 348, 350
0557100015	100, 104	0558100029	352
0557100016	100	0558100039	328, 336, 338, 348, 350
0557102010	90, 94, 100, 106	0558100040	322, 330
0557102020	90	0558100041	322
0557102030	90, 94, 100, 106	0558100048	322, 330, 340
0557102040	90	0558100052	322, 330, 340
0557102050	90, 94, 100, 104, 106	0558100059	322, 330, 340
0557102060	90, 94, 100, 106	0558100060	322, 330, 340
0557102070	90, 94, 106	0558100061	322, 330, 340
0557102080	90	0558100062	322, 330, 340
0557102090	90, 94, 106	0558100070	322, 330
0557102110	90	0558100071	324, 332, 344
0557102120	90, 94, 106	0558100073	328
0557102130	90, 94, 106	0558100080	340
0557102140	92, 98, 104, 110	0558100086	340

0558100088	352	0558200108	358
0558100092	322	0558200109	358, 366
0558100093	330, 340	0558200117	358, 366
0558100099	330	0558200126	362, 366
0558100112	348	0558200127	366
0558100113	336	0558200135	366
0558100114	340	0558200136	366
0558100118	352	0558200145	354, 362
0558100119	340	0558201104	360, 366
0558100131	350	0558201105	360, 366
0558100134	338	0558201108	360, 368
0558100135	338, 350	0558201170	358, 366
0558101006	328, 336, 338, 348, 350	0558201180	358, 366
0558101009	322, 330, 340	0558201196	360, 368
0558101010	322, 330, 340	0558201198	358
0558101011	322, 330, 340	0558201352	354, 362
0558101060	322, 330	0558201353	354, 362
0558101120	328	0558201410	354, 362
0558101140	336, 338, 348, 350	0558201420	354, 362
0558200003	354, 362	0558201430	354, 354, 362, 362
0558200004	358	0558201440	354, 354, 362, 362
0558200005	358, 366	0558201460	354, 362
0558200008	370	0558201470	354, 362
0558200025	370	0558400057	462
0558200039	370	0558400075	462
0558200040	354, 362, 370	0558400078	462
0558200041	370	0558400081	462
0558200042	370	0558400083	462
0558200044	370	0558400085	462
0558200045	370	0558400100	462
0558200046	354, 358	0558400102	462
0558200047	358	0558400112	462
0558200053	354, 362	0558400126	462
0558200063	358, 366	0558600040	448, 456
0558200064	358, 366	0558600046	444, 452
0558200065	358, 366	0558600059	422
0558200066	358, 366	0558600060	422
0558200067	358, 366	0558600069	444, 452
0558200068	358, 366	0558600071	444, 452
0558200069	358, 366	0558600072	440
0558200070	358, 366	0558600082	422
0558200071	358	0558600085	466
0558200072	358	0558600086	466
0558200073	358	0558600093	442
0558200075	354, 362	0558600094	442
0558200077	354, 362	0558600095	442
0558200078	370	0558600096	442
0558200081	370	0558600110	438, 440
0558200084	370	0558600114	438, 440
0558200088	354, 362	0558600119	424
0558200089	354, 362	0558600121	424
0558200094	114, 354, 358	0558600124	424
0558200095	358	0558600125	424
0558200103	358	0558600213	474
0558200107	358	0558600214	474

0558600218	432	0558604430	430
0558600219	432	0558604450	430
0558600221	424	0558604460	430
0558600223	424	0558604470	430
0558600225	426	0558604500	430
0558600226	426	0558604510	430
0558600227	434	0558604520	432
0558600234	430	0558604523	432
0558600235	430	0558604550	432
0558600236	430	0558604565	424, 426
0558600244	440	0558604570	424, 426
0558600245	440	0558604580	424
0558600246	440	0558604584	426
0558600247	440	0558604590	432
0558600248	426	0558604602	428
0558600252	424	0558604603	428
0558600260	444, 452	0558604604	428
0558602110	444, 452	0558604610	428
0558602210	448, 456	0558604620	428
0558602220	448, 456	0558604630	428, 428
0558602310	444, 452	0558604640	428
0558603100	422, 424	0558604650	428
0558603180	424	0558604660	428
0558603196	424	0558604670	428
0558603512	432	0558604701	432
0558603513	432	0558604702	432
0558603800	424, 436	0558604710	432
0558603810	436	0558604715	432
0558603902	436	0558604716	430
0558603910	436	0558604720	432
0558603911	436	0558604725	432
0558603912	436	0558604740	430
0558603913	436	0558604742	430
0558603914	436	0558604763	432
0558603915	436	0558604771	432
0558603916	436	0558900003	186
0558603917	436	0559300013	522, 526
0558603920	436	0559300052	530, 534
0558603921	432, 436	0559300055	530, 534
0558603940	436	0559300060	530, 534
0558603970	436	0559300062	522, 526
0558604210	424	0559300063	532, 536
0558604220	424	0559300067	524, 528
0558604230	424	0559300068	532, 536
0558604290	438, 440	0559300081	530, 534
0558604300	424, 442	0561017400	2
0558604301	442	0563053250	164, 174
0558604310	442	0563200002	58, 62
0558604311	442	0563200004	58, 62
0558604312	442	0563218500	58, 62
0558604314	442	0563219700	58, 62
0558604316	442	0563226200	60, 64
0558604317	442	0563228060	58, 62
0558604318	442	0563230850	58, 62
0558604420	432	0563230860	58, 62

0563231710	58, 62	0568662710	470
0563313620	66, 68	0568662810	184
0563314110	68	0568662820	184
0563422890	72	0568662910	472
0563517700	374, 378, 384, 390	0569300090	524, 528, 532, 536
0563900100	56	0569335060	522, 526, 530, 534
0564026340	116, 124, 136	0569349702	546, 548
0564264011	568	0569353036	540, 542
0564612250	480	0569366501	522, 526
0564612260	480	0569366526	522, 526
0565068210	196, 202, 212, 224, 234, 242	0569366537	540, 542
0565100092	72	0569366539	540
0565127510	152	0569366541	568
0565127520	152	0569366542	568
0565127522	152	0569366543	568
0565127530	146	0569366544	568
0565127750	76, 86	0569366547	568
0565128550	72	0569366548	568
0565128560	72	0569366551	568
0565128610	72	0569366552	568
0565128840	72, 76, 78, 86	0569366553	568
0565128850	76, 86	0569366554	568
0565129311	72, 78	0569366557	568
0565129340	72	0569366558	568
0565129380	72	0569368009	522, 526, 530, 534
0565129430	72	0573300610	148, 164
0567336130	538	0573500225	400
0567353607	502	0573500240	398
0568014500	320	0574300530	146
0568042040	320	0575002030	194, 200, 210, 220, 232, 242, 252, 510
0568135030	352	0578208070	358, 366
0568266185	358	0578600039	438, 440
0568266902	354, 362	0578600050	432
0568266903	356, 362	0578600084	438, 440
0568266904	356, 364	0578600085	438
0568266905	356, 364	0578600089	428, 428, 428
0568268180	358, 366, 370	0578600093	424, 432
0568268710	354, 362	0578600097	424
0568600267	438	0578600098	428
0568600329	444, 452	0578600406	438, 440
0568600381	424	0578600490	438, 440
0568626600	424	0578601010	146, 148
0568660400	428, 438, 440	0578602196	432
0568660600	432	0579300011	522, 526, 530, 534
0568660620	432	0579300015	522, 526, 530, 534
0568660770	424	0579300045	522, 526
0568661120	444, 452	0579300049	522, 526, 530, 534
0568661130	444, 452	0579300052	524, 528, 532, 534
0568662190	468	0579303630	522, 526, 530, 534
0568662200	468	0579303643	522, 526, 530, 534
0568662210	468	0652201007	374
0568662520	468	0656000017	494
0568662530	468	0664001230	112, 120, 132
0568662610	182	0664006355	144
0568662620	182	0664006357	144

0664200089	176, 178	1100051255	490, 496, 502, 508
0669300034	524, 526, 530, 534	1100051435	24
0694205350	160, 172	1100090816	2, 66, 68, 72, 116, 124, 128, 132, 136, 142, 146, 148, 160, 164, 172, 174, 194, 200, 212, 222, 232, 242, 252, 264, 270, 276, 284, 292, 300, 308, 322, 324, 330, 332, 340, 344, 352, 358, 366, 372, 378, 384, 390, 476, 478, 480, 482, 488, 494, 500, 506, 520
0870431821	146, 148	1100141000	196, 202, 212, 222, 232, 242, 252
0871086051	524, 528	1100141220	34
0872433150	48, 50, 164, 174, 370	1100141240	486, 492, 498, 504
0881031549	524, 526, 530, 534	1100141250	488, 492, 500, 506
0881031556	524, 528, 530, 534	1100141600	384, 390
0881031557	522, 526	1100240885	476
0881811100	328, 336, 338, 348, 350	1100790820	424, 428, 428, 428, 432
1100040514	146	1101040816	162, 172
1100040516	176, 178	1101041220	54
1100040614	476, 478	1101041235	352, 422
1100040630	72, 444, 452, 478, 480	1101041245	22
1100040640	162, 172, 194, 200, 212, 222, 232, 242, 252	1101041440	28, 30
1100040650	96, 100, 106	1101041640	44
1100040660	160, 172	1101041650	18
1100040680	58, 62	1101041670	16
1100040890	224, 324, 332, 344	1101051225	34, 46, 50, 486, 492, 498, 504
1100041014	164, 174	1101051230	4, 14, 54, 318, 372, 378, 384, 390, 462
1100041020	320	1101051240	28, 30
1100041690	374, 378	1101051680	26
1100050512	632	1101141200	112, 120, 132
1100050610	444, 452	1101242470	46, 50
1100050612	160, 164, 174, 324, 332, 344	1101342420	46, 50
1100050616	162, 166, 174, 234, 244, 254, 372, 378, 384, 390	1103041085	54, 516
1100050620	146, 164, 174, 212, 224	1103141200	488, 494, 500, 506, 516
1100050625	64, 444, 452, 480	1103141205	32, 34
1100050635	478	1106640825	476
1100050814	58, 62, 164, 174	1106690612	434, 436
1100050820	46, 50, 58, 62, 66, 68, 70, 80, 84, 116, 124, 128, 136, 142, 158, 160, 170, 182, 186, 194, 212, 232, 242, 252, 322, 330, 340, 402, 404, 462, 462, 468, 476, 478, 486, 492, 498, 504	1106690616	428, 428
1100050825	58, 62, 74, 128, 134, 140, 354, 354, 356, 362, 362, 364, 370, 476, 480	1110020410	686
1100050830	324, 332, 344, 462	1110020616	636, 638, 682
1100050835	112, 120, 132, 480	1110020825	684, 686
1100050840	486, 492, 498, 504	1110021025	666, 672, 686
1100050870	200, 222, 490, 502, 508	1110021230	686
1100051016	40, 112, 120, 132, 160, 172, 180, 352, 512, 514, 516	1110021255	686
1100051020	2, 32, 34, 82, 116, 124, 136, 194, 200, 212, 222, 232, 244, 252, 266, 272, 278, 286, 294, 302, 310, 322, 324, 330, 332, 340, 344, 424, 476, 480, 502, 510	1110040430	436
1100051025	46, 50, 86, 88, 112, 120, 132, 184, 192, 198, 204, 208, 214, 218, 226, 230, 236, 240, 246, 250, 256, 324, 332, 344, 358, 366, 370, 474, 694, 752	1110040512	352
1100051030	74, 78, 112, 120, 132, 316, 356, 364, 422, 466, 570	1110040625	74, 76, 80, 84, 86, 88, 480
1100051035	76, 356, 364, 466, 512	1110040650	634
1100051040	462, 508	1110040855	510, 512
1100051090	32, 34, 112, 120, 132	1110040870	222
1100051225	466	1110041016	58, 62
1100051230	466, 470, 474, 486, 492, 498, 504	1110041230	316, 678
1100051235	116, 124, 136	1110050512	340, 626, 630
1100051240	472, 474	1110050514	642
1100051250	490, 496, 502, 508	1110050616	328, 336, 338, 348, 350, 640
		1110050618	578, 580, 582, 584, 586, 588, 590, 592, 596, 598, 600, 602, 604, 606, 608
		1110050820	80, 86, 676
		1110050830	58, 64, 686

1110050840	64	1130240010	32, 34, 54, 74, 116, 124, 136, 164, 174, 426, 516
1110051020	82, 88	1130550016	16
1110051025	74, 76, 78, 86, 356, 364	1131040012	58, 62
1110051030	84, 264, 270, 276, 284, 292, 300, 308	1131242004	436
1110051035	88, 572	1132630030	516
1110090512	148, 154	1132630039	486, 492, 498, 504
1110090816	60, 64, 66, 68, 70, 78, 82, 92, 98, 104, 110	1132712010	78, 82
1111051235	316, 356, 364	1132940819	36
1111141200	56	1134230004	74
1111820830	444, 452	1140020003	64, 148
1111850610	68, 70	1140020004	116, 124, 136, 358, 366, 482
1112340832	34	1140020005	146, 148, 152, 154, 176, 178, 340, 352, 372, 444, 454, 642
1120530314	64, 148	1140020006	74, 96, 100, 106, 146, 160, 164, 172, 174, 194, 200, 212, 222, 232, 242, 250, 252, 324, 328, 332, 336, 338, 344, 348, 350, 352, 358, 366, 370, 372, 378, 384, 390, 444, 446, 452, 454, 476, 478, 480, 480
1120530406	116, 124, 136	1140020008	2, 46, 50, 58, 62, 66, 68, 70, 72, 74, 76, 78, 78, 82, 82, 86, 86, 88, 112, 118, 120, 124, 128, 132, 136, 140, 146, 148, 158, 160, 164, 170, 172, 174, 180, 182, 186, 194, 194, 200, 200, 212, 212, 222, 222, 232, 232, 242, 242, 252, 252, 264, 270, 276, 284, 292, 300, 308, 322, 324, 330, 332, 340, 344, 352, 354, 354, 356, 358, 362, 362, 364, 366, 370, 372, 378, 384, 390, 402, 404, 462, 462, 462, 468, 476, 478, 480, 482, 486, 490, 492, 498, 502, 504, 508, 520
1120530512	152, 444, 452	1140020010	2, 32, 34, 40, 46, 50, 74, 76, 78, 82, 86, 88, 112, 118, 120, 124, 132, 136, 160, 164, 172, 174, 180, 184, 192, 194, 198, 200, 204, 208, 212, 214, 218, 224, 226, 230, 232, 236, 240, 244, 246, 250, 252, 256, 264, 266, 270, 272, 276, 278, 284, 286, 292, 294, 300, 302, 308, 310, 316, 320, 322, 324, 330, 332, 340, 344, 352, 356, 358, 364, 366, 370, 422, 464, 466, 474, 476, 502, 508, 510, 512, 514, 516, 570
1120530812	72, 76, 78, 82, 86	1140020012	4, 12, 14, 22, 28, 30, 34, 46, 50, 54, 112, 118, 120, 124, 132, 138, 318, 352, 372, 378, 384, 390, 422, 464, 466, 470, 472, 474, 486, 490, 492, 496, 498, 502, 504, 508
1120530814	88	1140020014	28, 30
1120530816	148	1140020016	372, 378, 384, 390
1120590410	482	1140020020	262
1120590412	434	1140210008	36
1120630412	448, 456	1140330008	162, 164, 172, 174
1120630516	152	1140330010	112, 120, 132, 164, 174, 180, 352, 434
1120790412	434	1140330012	486, 492, 498, 504
1120790614	448, 456	1140420008	60, 64, 92, 98, 104, 110, 222, 510, 512
1120790620	446, 448, 454, 456	1140420010	58, 62, 356, 364
1120800610	78	1140420012	316, 356, 364
1120800614	82	1141110003	148, 164
1120800616	676	1141110004	436, 482, 686
1120890616	438, 440	1141110005	146, 148, 152, 154, 176, 178, 352, 446, 454
1120891025	434	1141110006	74, 76, 78, 82, 86, 88, 96, 100, 106, 146, 160, 164, 172, 174, 194, 200, 212, 222, 232, 242, 252, 324, 332, 344, 352, 358, 366, 370, 372, 378, 384, 390, 444, 452, 476, 478, 480
1120990816	424	1141110008	2, 46, 50, 58, 62, 66, 68, 74, 80, 84, 118, 124, 128, 134, 138, 140, 148, 158, 160, 164, 170, 172, 174, 180, 182, 186, 194, 194, 200, 200, 212, 212, 222, 222, 232, 232, 242, 242, 252, 252, 264, 270, 276, 284, 292, 300, 308, 322, 330, 340, 352, 356, 360, 364, 366, 370, 374, 380, 384, 390, 402, 404, 462, 462, 464, 468, 476, 478, 480, 482, 486, 492, 498, 504, 678
1121040606	636, 638	1141110010	2, 32, 34, 40, 46, 50, 74, 76, 78, 82, 86, 88, 112, 118, 120, 126, 132, 138, 160, 164, 172, 174, 180, 184, 194, 200, 206, 212, 216, 224, 228, 232, 238, 240, 244, 248, 254, 258, 264, 266, 270, 272, 276, 278, 284, 286, 292, 294, 300, 302, 308, 310, 320, 322, 324, 330, 332, 340, 344, 352, 356, 360, 364, 366,
1121050808	656, 658, 662		
1121051010	652, 654, 660		
1121530816	478		
1122400306	616, 618		
1122400308	616, 618		
1122400316	616, 618		
1122400512	438, 440		
1122410304	466		
1122410412	466		
1122500416	434		
1122513512	430		
1130030003	64		
1130030004	358, 366		
1130030005	78, 82, 178, 356, 364, 444, 452, 462		
1130040006	58, 62, 160, 172, 352, 370, 444, 452		
1130050006	358, 366, 424		
1130050008	574, 576, 644, 646, 648, 650		
1130050012	12, 32, 34, 74, 78, 82, 488, 494, 500, 506, 516		
1130050016	372, 378, 384, 390, 422, 424, 426, 462, 686		
1130090010	434, 436, 438, 440		
1130140008	112, 116, 120, 124, 128, 132, 136, 140, 160, 164, 172, 180, 322, 330, 340, 462		
1130190008	444, 452		

370, 426, 466, 474, 480, 512	1225120018	34
1141110012 . 4, 14, 28, 30, 46, 50, 78, 118, 126, 138, 318, 352, 422, 464, 466, 470, 472, 474, 486, 492, 498, 504	1225120022	486, 492, 498, 504
1141110014 28, 30	1300006206	666
1141110016 262, 374, 384	1314000812	78, 84
1141110020 78, 82	1333002010	78, 82
1141550010 204, 214, 226, 236, 246, 256	1333002015	72, 78, 78, 82, 82
1141550016 18, 26, 44, 380, 390, 422, 464	1333002025	72
1150010312 616, 618	1390010030	634
1150020635 444, 452	1390010450	688
1150110510 328, 336, 338, 348, 350	1390010500	640
1150110516 328, 336, 338, 348, 350	1390020350	656, 658, 662
1150110612 328, 336, 348	1390020400	652, 654, 660
1150110616 338, 350	1390021000	666, 672
1150120412 74	1411510600	22
1150410416 432	1420000290	320
1150410612 186, 432, 436	1420010060	644, 646, 648, 650
1150410616 430, 432, 436	1420010070	666, 672
1150410620 432	1420010080 . . 44, 206, 216, 228, 238, 248, 258, 316, 634, 664, 668, 670, 674, 676, 678, 686, 688, 688, 688	
1150410625 468	1420010100	646, 650, 676, 686, 686
1150410630 468	1420010101	678
1150420310 164	1420010110 . . 24, 28, 28, 30, 30, 44, 44, 44, 58, 58, 58, 58, 58, 58, 60, 62, 62, 62, 62, 62, 64, 66, 66, 66, 68, 68, 68, 70, 70, 70, 70, 72, 72, 76, 76, 80, 80, 84, 84, 86, 86, 88, 88, 90, 90, 90, 92, 92, 94, 94, 94, 94, 94, 94, 98, 98, 100, 100, 100, 100, 102, 104, 104, 106, 106, 106, 106, 106, 110, 110, 194, 194, 194, 196, 196, 196, 196, 196, 196, 196, 200, 200, 200, 202, 202, 202, 202, 202, 202, 204, 204, 204, 204, 204, 206, 206, 206, 210, 210, 210, 210, 210, 210, 210, 210, 210, 210, 212, 214, 214, 214, 214, 214, 216, 216, 216, 220, 220, 220, 220, 220, 220, 222, 222, 222, 222, 222, 224, 226, 226, 226, 226, 226, 226, 228, 228, 228, 232, 232, 232, 234, 234, 234, 234, 234, 234, 234, 234, 234, 236, 236, 236, 236, 236, 238, 238, 238, 238, 238, 242, 242, 242, 244, 244, 244, 244, 244, 244, 244, 244, 244, 246, 246, 246, 246, 248, 248, 248, 248, 248, 248, 252, 252, 252, 254, 254, 254, 254, 254, 254, 254, 254, 254, 254, 256, 256, 256, 256, 256, 256, 258, 258, 258, 258, 260, 262, 266, 266, 268, 268, 272, 272, 274, 274, 278, 278, 280, 280, 286, 286, 288, 288, 294, 294, 296, 296, 298, 302, 304, 304, 306, 310, 312, 314, 314, 316, 316, 316, 316, 316, 494, 510, 510, 510, 512, 512, 608, 626, 630, 634, 634, 634, 634, 636, 636, 638, 638, 640, 646, 650, 664, 670, 678	
1150420410 444, 452	1420010120	678, 680
1150420412 448, 456	1420010140 . 28, 30, 30, 30, 30, 32, 34, 34, 44, 44, 44, 54, 204, 214, 216, 216, 216, 226, 228, 228, 228, 266, 272, 278, 286, 294, 302, 310, 606, 644, 646, 648, 650, 664, 668, 670, 674, 678, 678, 686, 688	
1150420512 432	1420010150	644, 648
1150420514 148, 154	1420010160	626, 630
1150420520 152, 372, 378	1420010180 . . 24, 28, 28, 30, 30, 194, 194, 200, 200, 204, 204, 204, 204, 204, 204, 204, 206, 206, 206, 210, 210, 214, 214, 214, 214, 214, 214, 216, 216, 216, 216, 220, 220, 222, 222, 222, 222, 226, 226, 226, 226, 226, 228, 228, 228, 228, 232, 232, 236, 236, 236, 236, 236, 236, 238, 238, 238, 238, 242, 242, 246, 246, 246, 246, 246, 246, 248, 248, 248, 252, 252, 256, 256, 256, 256, 256, 256, 256, 256, 258, 258, 258, 316, 316, 316, 316, 316, 316, 328, 336, 338, 348, 350, 486, 492, 498, 504, 510, 510, 512, 514, 516, 520, 520, 644, 646, 648, 650, 680	
1150420614 148	1420010200	328, 610, 612, 614
1150420616 374, 380	1420010210	336, 338, 348, 350, 678
1150420620 376, 382, 388, 394	1420010240 . 194, 194, 200, 200, 204, 212, 212, 214, 222, 222, 226, 232, 232, 236, 242, 242, 246, 252, 252, 256, 520, 520, 680	
1150420816 86, 88, 374, 380, 384, 390	1420010250	668, 674
1210000655 516		
1210000670 486, 492, 498, 504		
1212000620 684		
1212010815 666, 672		
1213000412 642		
1213000420 46, 50		
1213000510 316		
1213000528 610, 612, 614		
1214000004 436		
1214000006 80, 84		
1214000008 72, 356, 364		
1220000020 72, 78, 82		
1220000028 682		
1220000030 642, 682		
1220000035 664, 670		
1220000042 676		
1220000065 572		
1220000072 570		
1221000037 678		
1221000072 682		
1221010042 320		
1224000006 78, 82		
1225110006 58, 62		
1225110016 424, 426		

1420010260	652, 654, 656	1432160004	262
1420010290	128, 128, 140, 140, 320	1432200045	32, 34, 516, 520
1420010300	320	1432200055	520
1420010340	684, 684	1432200065	34, 490, 496, 502, 508
1420010380	338, 350	1432900008	518
1420010450	328, 336, 338, 348, 350	1432900046	518
1420010800	570, 572	1501750002	194, 200, 204, 210, 220, 232, 242, 252, 266, 268, 272, 274, 278, 280, 286, 294, 296, 304, 312, 314, 316, 494, 634, 636, 638, 664
1420100350	18	1501750003	204
1420100400	20	1501750004	258, 520
1420100450	316	1501750006	520
1420100700	596, 600, 604, 606, 608	1501750010	320
1420100800	572	1501810000	634
1420101600	320	1501820001	690, 748
1420110650	662	1501820002	570, 572
1420110700	580, 582, 584, 586, 588, 592, 594, 598, 602, 662	1508710010	2
1420110750	656	1511150201	190
1420110800	656	1511150203	28
1420110850	654, 658	1511410002	44, 206, 216, 228, 238, 248, 258
1420110900	654, 658	1512340001	204, 214, 226, 236, 246, 256
1420110950	570, 572, 652	1512340004	206, 216, 228, 238, 248, 258, 316
1420111000	652	1512350003	194, 200, 210, 220, 232, 242, 252
1420111050	660	1512370002	58, 62
1420111100	660, 678	1512370008	58, 62, 76, 86, 88
1420111150	666, 672	1512370010	58, 62
1420111250	320, 666, 672	1512370011	44, 90, 94, 100, 106, 206, 210, 214, 220, 226, 238, 244, 248, 254, 258, 288
1420111350	678	1512370012	72, 80, 84
1420300017	636, 638, 686, 688	1512374016	204, 214, 226, 236, 246, 256
1420300020	634	1512375004	66, 68, 70, 210, 220, 234, 244, 244, 254, 254, 510, 512
1420300025	634	1513250202	58, 62, 70
1420300260	676	1513300016	206, 216, 228, 238, 248, 256
1420300264	664, 670	1513300022	196, 202, 210, 220, 234, 244, 254
1420310009	684, 684	1513350005	204, 214, 226, 236, 246, 256
1420310014	644, 646, 648, 650	1513350006	204, 216, 228, 238, 246, 256
1420310015	646, 650	1513350027	128, 140
1420310016	684, 684	1513370046	196, 202, 210, 220, 234, 244, 254
1420310017	640	1513390014	316
1420310023	686, 686	1513390015	44, 214, 226, 234, 244, 254
1420310118	644, 646, 648, 650	1513390038	236, 256
1420310128	686, 686	1513390039	510
1420310144	682, 682	1513390043	222
1420310147	682, 682	1513390046	214, 226
1420310168	684, 684	1513900003	42
1420310259	678	1513940003	312
1420310910	574, 574, 574, 574, 574, 574, 574, 574, 574, 574, 576, 576, 576, 576, 576, 576, 576, 576	1513940004	312
1420500240	578, 580, 582, 584, 586, 588, 590, 592, 594, 596, 598, 600, 602, 604, 606, 608	1513940006	312
1421020600	22	1515010041	28, 30, 54, 266, 272, 278, 286, 294, 302, 310
1421030120	680	1515010043	200, 222
1421030800	570, 572	1515010050	30, 214, 226
1421131150	666, 672	1515010051	194, 200, 204, 210, 214, 220, 222, 226, 232, 236, 242, 246, 252, 258
1421131250	666, 672	1515010130	92, 98, 104, 110, 316
1422010600	22	1515010131	44
1431203062	16	1515010132	204, 214, 226, 236, 246, 256
1432122302	112, 120, 132, 320, 324, 332, 344		

1515012040 . . . 28, 30, 60, 64, 66, 68, 70, 90, 92, 92, 94, 94, 98, 98, 100, 100, 104, 104, 106, 106, 110, 110, 194, 196, 196, 200, 202, 202, 204, 210, 210, 210, 212, 214, 220, 220, 220, 222, 222, 222, 224, 228, 232, 234, 234, 234, 236, 242, 242, 244, 244, 248, 252, 254, 254, 258, 266, 272, 278, 286, 294, 302, 310, 316, 510, 512	1531350050 290
1515012042 . . . 28, 30, 204, 214, 226, 236, 246, 256, 510, 512, 514, 516	1531360000 108
1515012510 66, 68, 204, 214, 226, 236, 246, 256, 298, 306, 314	1531360024 90, 94, 102
1515012511 34	1531407000 118, 126, 138
1515100047 222	1531645000 90, 90, 94, 94, 102, 108, 108
1515100110 28, 30	1531645075 102
1515100112 520	1531645085 482
1515100113 520	1531650030 90, 94, 102, 108
1515100136 262	1531650043 92, 98, 104, 110
1515102110 58, 62, 70, 72, 80, 84, 94, 100, 106, 206, 216, 228, 238, 248, 258, 268, 274, 280, 288, 296, 304	1532212020 190
1515102111 30	1532215000 40
1515102112 28, 30	1533001065 444, 446, 450, 452, 454, 456
1515102540 72, 80, 84	1533120009 332, 344
1515600200 . . 24, 58, 62, 76, 86, 88, 90, 94, 94, 100, 102, 106, 196, 202, 210, 220, 222, 234, 236, 236, 244, 244, 246, 246, 254, 254, 256, 256, 316	1533120010 118, 126, 138
1515600201 32, 34, 44	1533120012 332, 344
1515600202 24, 204, 214, 226, 236, 246, 256, 486, 492, 498, 504	1533120015 322, 324, 330, 332, 340, 344
1515600203 194, 212, 232, 242, 252	1533120020 482
1530525000 . 264, 264, 264, 270, 270, 270, 276, 276, 276, 284, 284, 284, 292, 292, 300, 300, 308, 308	1533120508 326
1530525011 264, 270, 276, 284, 292, 300, 308	1533120511 352
1530525042 292, 300, 308	1533120512 118, 126, 138
1530547000 264, 270, 276, 284, 292, 300, 308	1533201020 134
1530619023 330, 340	1533700022 322
1530808100 118, 118, 126, 126, 138, 138	1533700035 330, 340
1531007068 326, 332, 344	1533700041 264, 270, 276, 284, 292, 300, 308
1531115000 118, 118, 126, 126, 324, 324, 324	1533700045 118, 126, 138
1531115050 138	1533700051 118, 126, 138
1531115055 332, 344	1533700060 322, 330, 340
1531115058 118, 126	1533700061 112, 120, 132
1531115115 324, 332, 344	1533700071 112, 120, 132, 264, 270, 276, 284, 292, 300, 308, 478
1531115140 332, 344	1533700081 112, 120, 132
1531115205 326, 332, 344	1533701075 122, 134
1531115220 332, 344	1534000012 490, 502, 508
1531115245 324, 332, 344	1534000016 508
1531118022 138	1534000023 490, 496, 502, 508
1531118035 330, 342	1534100219 490, 496, 502, 508
1531118056 324, 332, 344	1534100274 490, 496, 502, 508
1531118058 138	1534413060 324, 332, 344
1531118190 324, 332, 344	1534413145 324, 332, 344
1531207000 352	1534413210 324, 332, 344
1531209000 324, 332, 344	1534413250 324, 332, 344
1531209060 322, 330, 340	1534416195 324, 332, 344
1531312000 488, 494, 500, 506	1534513120 324, 332, 344
1531325000 180, 482, 482	1534513225 324, 332, 344
1531345014 40	1540140815 128, 140
1531345055 266, 272, 278, 286, 294, 302, 310	1540141040 320
1531350000 38, 38, 40, 40, 42, 42, 110	1550100140 320
1531350027 266, 272, 278, 286, 294, 302, 310	1551100300 320
1531350040 92, 98, 104	1551103900 320, 812, 812
	1551200600 194, 200, 210, 220, 232, 242, 252
	1551200601 194, 200, 210, 220, 232, 242, 252
	1551200602 194, 200, 210, 220, 232, 242, 252
	1551200603 194, 200, 210, 220, 232, 242, 252
	1551200604 194, 200, 210, 220, 232, 242, 252
	1552002700 320
	1552002715 320

1552002800	322, 330, 340	1652231250	118, 126, 138, 160, 164, 174, 176, 176, 178, 324, 332, 344, 352, 476, 480, 482
1552002802	322, 330, 340	1652515000	46, 50
1552005000	320, 812	1652515100	80, 84, 356, 364, 462
1552005002	320	1652520006	160, 172, 468
1552101400	322, 330, 340	1652520008	464
1552101402	340	1652533002	400
1552101410	322, 330, 340	1652533013	400
1552200020	262	1652533016	496
1553020685	320	1652533017	490, 496
1553200800	340	1652533018	54
1553202100	328, 336, 338, 348, 350	1652533021	46, 50
1554502250	112, 120, 132, 320, 324, 332, 344	1652900006	164, 174
1554512601	112, 120, 132, 556	1652900014	430
1560001000	46, 50, 190, 486, 492, 498, 504, 516	1652900016	446, 448, 454, 456
1560001675	32, 34, 516	1652900210	164, 174
1560001900	22, 34	1652900513	180, 180
1566165009	450, 456	1653303010	474
1566165012	444, 448, 452, 456	1653303012	426
1566165045	448, 456	1653601395	48, 52
1566165070	448, 448, 456, 456	1653611527	436
1566165090	446, 454	1653611836	376, 382, 388, 394, 462
1602000250	316	1653900057	72
1602031440	316	1653900075	428
1621075061	476	1653900080	78, 82
1650100415	432	1653900087	354, 362
1650200510	66	1653916000	374, 380, 386, 392
1650202300	72, 78, 82	1653916008	352
1650204850	68, 70	1653916010	162, 172
1650205400	58, 62	1653916023	352
1651014003	128, 140	1653916068	462
1651024007	128, 140	1653916089	46, 50
1651030015	112, 120, 132	1654008800	436, 444, 452
1651030016	112, 120, 132	1654010500	448, 456
1651101225	72, 78, 82	1654010800	432
1652030012	46, 50	1654011330	72
1652051400	360, 366	1654011708	432
1652051800	464	1654011812	436
1652052200	464	1654011920	466
1652052800	376, 382, 388, 394	1654011930	432
1652053800	374, 380, 384, 390	1654319000	148
1652060031	86, 88	1654341008	380
1652060045	374, 380, 384, 390	1654341014	128, 140
1652102410	72	1654341016	116
1652200003	686	1654341027	116
1652200004	488, 494, 500, 506	1654341031	116, 124, 136
1652200005	438	1654342005	374, 380, 384, 392
1652200010	176, 176	1654342014	128, 140
1652201004	64	1654342049	128, 140
1652201005	358, 366, 488, 494, 500, 506, 516	1654343015	372, 378, 384, 390
1652201007	90, 94, 102, 108	1654343025	128, 140
1652201010	74, 84	1654343068	422
1652201021	176	1654343102	422
1652221050	432, 438, 440	1654345017	128, 140
1652231100	74, 84	1654349020	48, 52
1652231140	164, 164, 174, 176, 176, 180, 186, 352		

1654349080	46, 50	1700008220	448, 456, 460
1654401006	376, 382, 388, 394	1700008232	448, 456, 460
1654401016	376, 382, 388, 394	1700008234	448, 456, 460
1654401024	376, 382, 388, 394	1700008250	448, 456, 460
1654401036	376, 382, 388, 394	1700008255	456
1654401055	376, 382, 388, 394	1700008260	158, 166, 448, 456, 460
1654401062	376, 382, 388, 394	1700008262	158, 166, 448, 456
1654605000	436, 462	1700008263	158, 166, 448, 456
1654605185	370	1700008270	448, 456, 460
1654606000	116, 124, 124, 124, 128, 128, 128, 136, 136, 136, 140, 140, 140, 164, 174, 360, 360, 366, 366, 372, 374, 374, 374, 374, 378, 378, 380, 380, 380, 384, 384, 384, 386, 390, 390, 392, 392, 392, 422	1700008272	164, 174
1654606004	374, 380, 384, 392	1700008280	448, 456
1654606066	116	1700009010	62
1654606069	136	1700100019	146, 148, 812
1654606097	116, 124, 136	1700100041	238, 248, 258
1654606195	130, 140	1700100065	216, 226, 260
1654606196	116	1700100072	148
1654606209	360, 366	1700100092	72, 352
1654615300	424	1700100098	146, 812
1654619079	468	1700100126	196, 202, 212, 224, 234, 242
1654624015	266, 272, 278, 286, 294, 302, 310	1700100166	146
1654625042	374, 380, 386, 392	1700100167	146
1654628003	182, 184	1701310005	158, 170
1654629005	78, 84, 164, 174	1701310010	158, 170
1654629008	374, 380, 386, 392	1701310015	158, 170
1654643000	436	1701310020	156, 158, 168, 170
1654649153	424	1701310025	156, 158, 168, 170
1656500120	356, 364	1701310030	158
1690001922	556	1701330045	156, 168
1690002427	556	1701330075	156, 168
1690100013	556	1702051531	180
1690100041	556	1702108160	180
1690300330	556	1702108260	180
1690400250	556	1702260035	180
1690500200	556	1702330000	180
1690600400	556	1702430400	112, 120, 132
1690600500	556	1702901283	180, 180
1690600600	556	1702920002	180
1690600800	556	1702920060	180
1690601000	556	1703002700	182, 182, 486, 492, 498, 504, 812
1690601400	556	1703002706	370, 486, 492, 498, 504
1690900026	556	1703005500	184
1691060610	556	1703005506	184
1691400005	556	1703006200	370
1691900001	556	1703007000	360, 366, 812
1700000033	72, 78, 82	1703007300	432
1700000039	352	1703009000	160, 172
1700000059	146, 148	1703009001	160, 172
1700000060	146, 148	1703009200	160, 172
1700000066	148	1703009405	160, 172
1700008035	448	1703068001	160
1700008129	148, 448, 456, 460	1703210727	340
1700008200	158, 166, 448, 456	1703210760	186
1700008210	448, 456	1703500712	164, 174
		1703500714	164, 174
		1703700013	164, 174

1704000100	438	1900063728	652
1704051212	438	1900070831	654
1704200530	438	1900071532	652, 660
1705004820	188	1900073033	662
17100877010DN	734, 792	1900073933	656, 658
1711900066	432	1900076335	654, 658
1711900071	174	1900079799	812
1711900072	174	1900081505	654
1711900076	164, 174	1900081529	654, 658
1711900105	164, 174	1900086917	652, 654, 656
1711900123	352	1900086928	652
1711900124	352	1900086958	652, 654
1711900127	164, 174	1900087028	654, 658
1711900160	158, 170	1900087926	654, 658
1711900161	160, 172	1900088606	662
1711900172	352	1900088627	662
1711900179	160, 172	1900088633	662
1711900520	448, 456	1900088727	656
1711910290	186	1900089525	652
1711910291	186	1900091406	656
1711910350	352	1900091433	656
1711919000	430	1900091733	660
1730140992	148	1900091824	660
1730140995	148	1900092203	660
1730141810	566	1900092207	660
1730141820	566	1900092209	660
1730143341	160, 172	1900092227	660
1730143423	176, 176, 178, 178	1900097131	662
1730143430	176, 176, 178, 178	1900101726	656
1730143650	444, 452	1900102002	662
1730143652	444, 452	1900102003	662
1730143660	444, 452	1900105028	652, 656, 658, 660
1730143920	176, 178	1900105029	652, 656, 662
1730500008	156, 158, 158, 168, 170	1900105228	654, 660, 662
1801022124	38, 40, 42	1900110202	660
1801627058	38, 40, 42	1900112800	510, 652
1801627084	38, 40, 42	1900112802	652
1801640118	516	1900112806	652
1801650130	516	1900112810	652
1804540128	38, 40, 42	1900112816	652
1900000260	828	1900112820	652
1900000260S	828, 828	1900112830	652
1900005612	662	1900112833	652
1900005812	656, 658	1900112838	652, 654
1900010602	516, 520, 656	1900112851	652
1900043920	662, 662	1900112855	652
1900047031	652	1900112897	652
1900047033	654	1900112898	652
1900047114	658	1900112899	652, 812
1900047122	654, 658	1900112900	512, 514, 654
1900047131	654, 658	1900112902	654
1900047231	656	1900112903	654
1900047431	660	1900112906	654
1900047433	652, 660	1900112908	654
1900051132	662	1900112910	654

1900112914	654	1901043259	608
1900112916	654	1901043266	578, 580, 582, 584, 586, 588, 590, 592, 594, 596, 598, 600, 602
1900112920	654	1901043267	604, 606
1900112929	654	1901043270	604
1900112997	654	1901043271	578, 580, 582, 586, 588, 590, 592, 594, 596, 598, 600, 602, 604, 608
1900112998	654	1901043282	578, 580, 584, 586, 588, 590, 592, 594, 596, 598, 600, 602, 604, 606, 608
1900112999	654, 812	1901044619	626, 630
1900113000	516, 656	1901046215	574, 576, 582
1900113002	656, 658	1901046271	582, 584, 594, 606
1900113003	656	1901046319	574, 598
1900113010	656	1901046919	574, 576, 588
1900113019	656	1901048011	574, 576, 580
1900113033	658	1901051700	204, 214, 226, 576
1900113097	656	1901051703	574, 576
1900113098	656	1901051707	576
1900113099	656, 812	1901051712	574, 576, 590
1900113100	54, 658	1901051713	574, 576, 578
1900113103	658	1901051714	574, 576, 592
1900113106	658	1901051716	574, 576, 584
1900113116	658	1901051717	576, 596
1900113119	658	1901051718	574, 576, 586
1900113129	658	1901051719	574, 576, 600, 602
1900113155	658	1901051721	574, 576
1900113197	658	1901051722	574, 576
1900113198	658	1901051723	574, 574, 576
1900113199	658, 812	1901051724	574, 576
1900113200	32, 34, 660	1901051725	574, 576
1900113219	660	1901051768	608
1900113297	660	1901051769	608
1900113298	660	1901051770	606
1900113299	660, 812	1901051794	576, 604
1900113300	34, 662	1901051795	574, 576
1900113397	662	1901051796	574, 576, 608
1900113398	662	1901051797	576, 606
1900113399	662, 812	1901051800	238, 574
1900117819	652, 654, 656	1901051817	574, 594
1901029754	578, 580, 582, 584, 586, 588, 590, 592, 594, 596, 598, 600, 602, 604, 608	1901051856	594
1901034239	582, 584, 592	1901051889	594
1901034371	688	1901051897	594
1901036528	582, 584, 592	1901051898	594
1901036573	608	1901051900	246, 256, 574
1901036678	606	1901051907	574
1901042625	574, 576	1901051925	574
1901042626	574	1901710912	610, 612, 614
1901043207	574	1901710914	610, 612, 614
1901043226	578, 580, 586, 588, 590, 592, 594, 596, 598, 600, 602, 604, 608	1901710917	610, 612, 614
1901043227	578	1901719011	610, 612, 614
1901043231	578, 580, 582, 584, 586, 588, 590, 592, 594, 596, 598, 600, 602, 604	1901719012	610, 612, 614
1901043256	578, 580, 582, 584, 586, 588, 590, 592, 594, 596, 598, 600, 602, 604	1901719800	520
1901043257	578, 580, 586, 588, 590, 592, 594, 596, 598, 600, 602, 604, 608	1901720232	610, 612, 614
		1901723700	194, 212, 232, 242, 252, 520
		1901729103	686
		1901729105	688

1901730500	94, 100, 106, 642	1901745417	636, 638, 640
1901730501	642	1901745420	640
1901730502	642	1901745499	636, 638
1901730503	642	1901745612	610, 612, 614
1901730504	642	1901745709	610, 612, 614
1901730505	642	1901745710	610, 612, 614
1901730506	642	1901748306	628
1901730507	642	1901748307	628
1901730508	642	1901748309	628
1901734404	626	1901748310	628
1901735000	58, 62, 636	1901748320	628
1901735001	636, 638, 640	1901748321	628
1901735015	636	1901748322	628
1901735016	636, 638	1901748323	628
1901735018	636, 638	1901748816	630
1901735511	630	1901749100	222, 628
1901735625	610, 612, 614	1901749101	628
1901735626	610, 612, 614	1901750500	58, 62, 634
1901738251	634	1901750501	634
1901738298	634	1901750502	634
1901738312	626, 630	1901750503	634
1901740401	616, 618	1901750504	634
1901740402	616	1901750509	634
1901740404	616	1901750511	634
1901740405	616, 618	1901750512	634
1901740406	616, 618	1901750519	634
1901740407	616, 618	1901750521	634
1901740408	616, 618	1901750522	634
1901740412	616, 618	1901750523	634
1901740413	616, 618	1901750524	634
1901740414	616, 618	1901750525	634
1901740432	610, 612, 614	1901750528	634
1901740446	616, 618	1901750805	626
1901740447	616, 618	1901751000	244, 254, 630
1901741216	616, 618	1901751405	616, 618
1901741263	616	1901751472	616
1901741312	616, 618	1901751489	616, 618
1901742602	610, 612, 614	1901751492	616, 618
1901742614	610, 612, 614	1901751495	616, 618
1901742615	610, 612, 614	1901752103	632
1901742619	610, 612, 614	1901753602	622
1901743620	610, 612, 614	1901755402	616, 618
1901743915	618	1901755403	616, 618
1901745400	66, 638	1901756100	210, 220, 234, 244, 254, 626
1901745402	636, 638, 640	1901758000	76, 86, 88, 610
1901745403	636, 638, 640	1901758018	610, 614, 616
1901745404	634, 636, 638, 640	1901758100	72, 80, 84, 614
1901745406	636, 638, 640	1901758902	644, 648
1901745407	634, 636, 638, 640	1901758903	644, 646, 648, 650
1901745408	640	1901758904	644, 646, 648, 650
1901745412	636, 638, 640	1901758905	644, 646, 648, 650
1901745413	634, 636, 638, 640	1901758906	644, 646, 648, 650
1901745414	636, 638, 640	1901758907	644, 646, 648, 650
1901745415	638, 640	1901758908	644, 646, 648, 650
1901745416	640	1901758910	644, 646, 648, 650

1901758912	644, 646, 648, 650	1902906902	684
1901758913	644, 646, 648, 650	1902907103	684
1901758916	644, 646	1902907105	684
1901758917	644, 646, 648, 650	1902907212	686
1901758999	644, 648	1902907213	686
1901759000	76, 612	1902907309	686
1901759018	612, 618	1902907315	686
1901762100	220	1902909203	686
1901762102	620	1902911334	684
1901762103	620	1902911344	684
1901762104	620	1902911606	686
1901762400	196, 202, 210, 220, 234, 244, 254, 632	1902911610	686
1901762500	510	1902911611	686
1901762511	644, 646	1902911698	686
1901762600	512	1902912500	686
1901762611	648, 650	1902912513	686
1901762616	648, 650	1902913302	682, 682
1901763700	200, 222, 622	1902913501	684
1901763702	622	1902913601	684
1901763703	622	1902915004	684
1901764100	68, 70, 640	1902915102	684
1901764105	640	1902915111	684
1901764113	640	1902915201	686
1901764118	640	1903005224	678
1901764200	194, 200, 210, 220, 232, 242, 252, 624	1903106808	678
1901764201	624	1903106813	678
1901764202	624	1903106843	680
1901767101	646, 650	1903107927	678
1901767102	646, 650	1903108655	680
1901767103	646, 650	1903118932	664, 670
1901767105	646, 650	1903118933	664, 670
1901767700	510, 644, 646, 648	1903118940	664, 670
1901767799	646, 650	1903119513	664, 670
1901767800	512, 650	1903119523	664, 670
1901768700	44, 204, 214, 226, 236, 246, 256	1903119599	664, 670
1901802713	678	1903119920	676
1901808206	670	1903120698	678
1901809200	678	1903121215	664, 670
1902017011	682	1903124810	664
1902026601	684	1903124820	664
1902029813	684	1903128003	676
1902032200	316	1903130404	664, 670
1902900727	686	1903130405	664
1902903401	682	1903130406	664, 670
1902903403	682	1903130407	664, 670
1902903501	682	1903130411	664
1902903502	684	1903130412	664
1902903505	686	1903130413	664, 670
1902903510	684	1903130497	664, 670
1902903511	684	1903130498	664, 670
1902903602	684, 684, 688, 688	1903130500	44, 676, 678
1902903603	686	1903132400	24, 670, 672, 674
1902903608	684	1903133300	24, 664, 666, 668, 670, 672, 674
1902905703	684, 686	1903133304	670
1902906800	684	1903133306	670

1903133309	670	1904006311	570
1903133312	670	1904006399	570
1903133313	670	1904008992	572
1903133315	670	1904009500	30, 572
1903900244	156, 158, 158, 168, 170	1904009501	572
1903902020	666, 672	1904009511	572
1903904502	678	1904009591	572
1903904503	678	1904009592	572
1903904504	678	1904009599	572
1903904507	678	1910347081	556
1903904508	678	1910385001	112, 120, 132
1903904510	678	1911112001	144, 812
1903904511	678	1911112002	144, 812
1903904514	678	1911260305	144, 812
1903904515	678	1911260900	114, 120, 132, 144
1903904518	678	1911260901	144
1903904519	678	1911260906	144
1903904521	678	1911260908	144
1903904524	678	1911300851	128, 140
1903904525	678	1911300920	324, 334, 346
1903904535	680	1911300940	128, 140
1903904537	680	1911501800	482, 482
1903904539	680	1911502200	482
1903904540	680	1911505128	482
1903904615	666, 672	1911505155	482
1903907316	666, 672	1911505160	482
1903907317	666, 672	1911510001	374, 380, 444, 452
1903907319	666, 672	1911510003	444, 448, 448, 452, 456, 456
1903907393	668, 674	1911513010	476
1903907396	666, 672	1911513020	478
1903908298	680	1911513021	478
1903908720	666, 672	1911513022	478
1903911101	678	1911513025	478
1903911199	678	1911513026	160
1903911200	664, 666	1911513040	476
1903911202	666, 672	1911513055	480
1903911206	666	1911513085	480
1903911296	666, 672	1911513120	482
1903911297	666, 672	1911513130	480
1903911298	666, 672	1911513413	484
1903911299	666, 672	1911513414	484
1903912100	670, 672	1911513416	484
1903912106	672	1911513424	448, 456
1903912400	670, 672	1911513425	448, 456
1903912401	672	1911513426	448, 456
1903912402	672	1911513429	448, 456
1903912498	672	1911513430	482
1903912499	672	1911513447	480, 480
1904000494	570	1911513452	480
1904002391	570, 572	1911514504	480
1904003621	570	1911514505	480
1904003691	570	1911514506	480
1904004506	570, 570	1911514507	480
1904006300	28, 570	1911514508	480, 484
1904006301	570	1911514509	484

1911514511	484	1914106128	410, 416
1911514512	484	1914106147	410, 416
1911514513	478	1914107072	406, 408
1911514516	448	1914107147	410, 416
1911514517	482	1914108072	406, 408
1911514518	482	1914108109	410, 416
1911514519	484	1914108147	410, 416
1911514521	448, 456	1914109072	406, 408
1912900720	676	1914109109	410, 416
1912904517	676	1914109147	418
1912905325	680	1914110072	406, 408
1912905415	676	1914110109	410, 416
1912905416	676	1914110147	412, 418
1912905422	676	1914111072	406, 408
1912906009	676	1914111147	414, 420
1912907011	676	1914112072	406, 408
1912907015	676	1914112096	410, 416
1912907019	676	1914112128	410, 416
1912907020	676	1914112147	414, 420
1912907023	676	1914113072	406, 408
1912907025	676	1914113096	410, 416
1912907097	676	1914113128	410, 416
1912907799	676	1914114072	406, 408
1912911998	676	1914115072	406, 408
1913005650	26	1914115096	410, 416
1913005658	26	1914115109	410, 416
1913005659	26	1914115128	410, 416
1914091210	6	1914116072	406, 408, 410, 416
1914091230	6	1914116096	410, 416
1914100071	402	1914116128	412, 418
1914100112	404	1914117128	412, 418
1914100146	402, 406, 410	1914118072	406, 408
1914100147	404, 406, 408, 416	1914119072	406, 408, 410, 416
1914101071	406	1914119128	412, 418
1914101072	406, 408	1914120072	406, 408, 410, 416
1914101146	410	1914120128	412, 418
1914101147	416	1914121072	406, 408, 410, 416
1914102071	406	1914121109	410, 416
1914102072	406, 408	1914121128	412, 418
1914102109	410, 416	1914122072	406, 408, 410, 416
1914102146	410	1914122128	410, 416
1914102147	416	1914123072	406, 408
1914103071	406	1914123128	410, 416
1914103072	406, 408	1914124128	410, 416
1914103096	410, 416	1914127128	410, 416
1914103147	410, 416	1914128128	410, 416
1914104072	406, 408	1914129128	410, 416
1914104128	410, 416	1914130128	410, 416
1914104147	410, 416	1914138128	412, 418
1914105072	406, 408	1914139128	412, 418
1914105096	410, 416	1914140128	412, 418
1914105113	402	1914141096	412, 418
1914105147	410, 416	1914141128	412, 418
1914106072	406, 408	1914142128	412, 418
1914106097	412, 418	1914143128	414, 420

1914144128	414, 420	1919060105	558, 562
1914145128	414, 420	1919060140	558, 560, 562, 564
1914146128	412, 418	1919060141	558, 562
1914147128	412, 418	1919060231	558
1914148128	414, 420	1919060240	558, 560, 562, 564
1914149128	414, 420	1919901730	352
1914150128	414, 420	1934722095	190
1914151128	414, 420	1934752145	190
1914152128	414, 420	3100003	804
1914153128	412, 418	ATH260K	828
1914154128	412, 418	ATHTHUMBHOSE	828
1914155128	412, 418	BQC12501	810
1914156128	412, 418	BQC14512	806
1914157128	412, 418	BQC14512D	806
1914158128	412, 418	BQC14518	806
1914159128	412, 418	BQC14524	806
1914160128	412, 418	BQC14536	806
1914161128	412, 418	BQC26000	806, 810
1914162128	412, 418	BQCCELVIS	810
1914163128	412, 418	BTB26012	806
1914164128	412, 418	BTB26018	806
1914165128	412, 418	BTB26024	806
1914166128	414, 420	BTB26036	806
1914168128	412, 418	BTB26036D	806
1914169128	412, 418	Y104200-92350	556, 746, 802
1914171128	412, 418	Y114270-59010	732, 790
1914172128	412, 418	Y119131-18320	702, 716, 760, 774
1914173128	412, 418	Y119226-07900	698, 756
1914174128	412, 418	Y119600-01050	690, 690, 748, 748
1914175128	412, 418	Y119609-32040	692, 744, 750, 800
1914176128	412, 418	Y119620-01750	694, 752
1914177128	412, 418	Y119620-77461	736, 794
1914178128	412	Y119620-77471	736, 794
1914210182	806, 812	Y119620-77490	736, 794
1914210183	806, 812	Y119620-77710	736, 794
19142181-1	806, 812	Y119620-79200	736, 794
1914306009	10	Y119620-79210	736, 794
1914306010	10	Y119620-79220	736, 794
1914309000	8	Y119620-79230	736, 794
1914309001	8, 10	Y119620-79250	736, 794
1914309002	8, 10	Y119620-79290	736, 794
1914309003	8, 10	Y119620-79300	736, 794
1914309004	8, 10	Y119620-79310	736, 794
1914309005	8, 10	Y119620-79320	736, 794
1914309006	8, 10	Y119620-79330	736, 794
1914309007	8, 10	Y119620-79340	736, 794
1914309008	8, 10	Y119620-79350	736, 794
1914309012	8	Y119624-32040	692, 744, 750, 800
1914309013	8	Y119624-77351	736, 794
1914309014	8	Y119629-49080	726, 784
1914309098	8, 10	Y119640-01640	694, 752
1914400500	12	Y119640-61400	698, 756
1914401300	10	Y119640-92750	556, 746, 802
1919060103	558, 560, 562, 564	Y119802-11260	696, 754
1919060104	558, 562	Y119802-11270	696, 754

Y119802-21650	718, 776	Y129044-39610	722, 780
Y119802-25071	714, 772	Y129052-77380	736, 794
Y119803-21200	718, 776	Y129052-79260	736, 794
Y119803-77830	698	Y129052-79270	736, 794
Y119865-21600	718, 776	Y129100-01580	692, 694, 694, 718, 750, 752, 752, 776
Y119934-01800	692, 750	Y129100-11130	696, 754
Y119940-77270	736, 794	Y129100-23910	718, 776
Y119940-77310	736, 794	Y129100-42051	724, 782
Y120130-11860	698, 756	Y129100-42121	724, 782
Y120270-54410	696, 754	Y129103-49301	724, 782
Y121027-11743	692, 750	Y129120-01780	694, 752
Y121111-21501	718, 776	Y129136-77310	734, 792
Y121250-44590	324	Y129136-77520	734, 792
Y121252-39150	722, 780	Y129150-01200	690, 748
Y121267-44510	118, 126	Y129150-02020	690, 748
Y121267-44590	726, 784	Y129150-02450	714, 772
Y121267-44760	724, 782	Y129150-02871	690, 748
Y121420-01760	692, 692, 698, 746, 750, 750, 756, 802	Y129150-02931	690, 748
Y121450-42450	724, 782	Y129150-02941	690, 748
Y121450-44531	726, 784	Y129150-03070	696, 754
Y121468-44540	726, 784	Y129150-11230	696, 754
Y121470-44581	726, 784	Y129150-11280	696, 754
Y121520-34810	720, 778	Y129150-11370	696, 754
Y121550-23200	718, 776	Y129150-11750	696, 754
Y121550-49111	724, 782	Y129150-11810	698, 756
Y121850-21680	718, 776	Y129150-14200	714, 772
Y123501-79240	736, 794	Y129150-14400	714, 772
Y123907-03100	696, 754	Y129150-23601	718, 776
Y123907-03110	696, 754	Y129150-23611	718, 776
Y123907-03120	696, 754	Y129150-35042	720, 744, 778, 800
Y123907-03140	696, 754	Y129150-35111	720, 744, 778, 800
Y123912-33050	720, 778	Y129150-35153	720, 778, 812
Y124160-01751	692, 696, 750, 754	Y129150-49080	726, 784
Y124160-11360	698, 756	Y129150-49100	118, 126, 138, 726, 784
Y124160-39140	722, 780	Y129150-49811	724, 744, 782, 800
Y124223-39900	722, 780	Y129155-42350	724, 782
Y124240-01871	692, 750	Y129202-22300	718, 776
Y124298-39450	722, 780	Y129350-49530	724, 782
Y124395-49840	724, 744, 782, 800	Y129400-01730	694, 752
Y124450-44560	726, 784	Y129400-01770	694, 752
Y124460-11340	696, 744, 754, 800	Y129400-77490	734, 792
Y124465-44950	724, 744, 782, 800	Y129400-77571	734, 792
Y127620-59080	730, 788	Y129410-03990	698, 756
Y128401-77440	736, 794	Y129417-33111	720, 778
Y128401-77450	736, 794	Y129418-18320	702, 702, 760, 760
Y129001-01250	690, 748	Y129436-35070	720, 778
Y129001-02931	690, 748	Y129436-44740	724, 782
Y129004-03010	696, 754	Y129457-49801	724, 782
Y129004-11650	696, 754	Y129466-44510	138, 726, 784
Y129004-34802	720, 778	Y129466-49300	722, 780
Y129004-42040	724, 782	Y129486-01670	694, 752
Y129005-11100	696, 754	Y129486-32020	720, 744, 778, 800
Y129006-44480	720, 778	Y129486-42021	724, 744, 782, 800
Y129008-77800	698, 756	Y129486-42140	724, 744, 782, 800
Y129009-11340	696, 754	Y129508-18080	716, 744, 774, 800

Y129508-18090	702, 744, 760, 800	Y129A00-12900	700, 758
Y129509-21000	718, 776	Y129A00-12910	700, 744, 758, 800
Y129553-39650	722, 780	Y129A00-13300	702, 760
Y129601-11241	696, 754	Y129A00-13350	702, 706, 760, 764
Y129601-11251	696, 754	Y129A00-13360	698, 756
Y129608-49090	720, 778	Y129A00-13380	698, 756
Y129612-42330	724, 782, 812	Y129A00-13400	702, 760
Y129612-52100	324, 332, 344, 732, 790	Y129A00-13410	702, 744, 760, 800
Y129640-13590	112, 120, 134, 704, 762	Y129A00-13710	700, 758
Y129648-35100	720, 778	Y129A00-13720	700, 744, 758, 800
Y129648-35150	720, 778	Y129A00-13751	702, 760
Y129688-01780	752	Y129A00-13851	702, 760
Y129792-39410	722, 780	Y129A00-13861	702, 760
Y129795-01950	692, 750	Y129A00-13910	704, 744, 762, 800
Y129795-02412	690, 748	Y129A00-13920	704, 744, 762, 800
Y129795-11120	696, 754	Y129A00-14100	714, 772
Y129795-11180	696, 754	Y129A00-14700	714, 772
Y129795-21661	718, 776	Y129A00-14710	714, 772
Y129795-49551	724, 744, 782, 800	Y129A00-16610	706, 764
Y129900-07900	698, 756	Y129A00-17311	706, 744, 764, 800
Y129900-77400	734, 792	Y129A00-17520	708, 766
Y129900-77440	734, 792	Y129A00-17570	708, 766
Y129900-77450	734, 734, 792, 792	Y129A00-17650	708, 766
Y129900-77460	734, 792	Y129A00-17760	708, 766
Y129900-77480	734, 792	Y129A00-21710	694, 752
Y129900-77640	734, 792	Y129A00-25050	714, 772
Y129908-33010	720, 778	Y129A00-25060	714, 772
Y129916-49740	724, 782	Y129A00-25080	714, 772
Y129917-55821	732, 790	Y129A00-25110	714, 772
Y129917-55830	732, 790	Y129A00-25120	714, 772
Y129917-55840	732, 790	Y129A00-25200	714, 772
Y129927-13810	702, 744, 760, 800	Y129A00-25210	714, 744, 772, 800
Y129927-44900	724, 782	Y129A00-25900	714, 772
Y129927-77910	736	Y129A00-49610	724, 782
Y129927-77920	160, 172, 736, 794	Y129A00-51000	728, 786
Y129927-77930	736	Y129A00-51100	728, 786
Y129928-49420	724, 724, 782, 782	Y129A00-51110	728, 786
Y129928-79700	742, 798	Y129A00-51120	728, 786
Y129930-13201	706, 744, 764, 800	Y129A00-51130	728, 786
Y129960-03990	724, 726, 726, 782, 784, 784	Y129A00-51200	728, 786
Y129961-77200	736, 794	Y129A00-51900	728, 744, 786, 800
Y129961-77421	736, 794	Y129A00-53200	730, 788
Y129973-33110	720	Y129A00-55600	324, 334, 346, 732, 790
Y129978-11871	696, 744, 754, 800	Y129A00-55610	732, 790
Y129A00-01550	692, 750	Y129A00-55730	732, 790, 812
Y129A00-01602	694, 752	Y129A00-55740	732, 790
Y129A00-11330	696, 754	Y129A00-55751	732, 790
Y129A00-11340	696, 744, 754, 800	Y129A00-55760	732, 790
Y129A00-11900	696, 754	Y129A00-55800	732, 790, 812
Y129A00-12711	698, 756	Y129A00-57100	730, 788
Y129A00-12720	700, 758	Y129A00-57200	730, 788
Y129A00-12780	698, 744, 756, 800	Y129A00-57210	730, 788
Y129A00-12790	698, 744, 756, 800	Y129A00-59020	732, 790
Y129A00-12810	700, 744, 758, 800	Y129A00-59110	700, 758
Y129A00-12820	700, 758	Y129A00-59120	700, 758

Y129A00-59700	730, 788	Y129C01-12150	700, 758
Y129A00-59820	730, 788	Y129C01-13110	702, 760
Y129A00-59830	730, 788	Y129C01-13350	702, 760
Y129A00-75910	160, 172, 740, 796	Y129C01-13700	700, 758
Y129A00-77250	736, 794	Y129C01-13770	702, 760
Y129A00-77930	742, 798	Y129C01-16200	706, 764
Y129A00-91200	702, 708, 732, 738, 760, 766, 790, 794	Y129C01-16400	706, 764
Y129A00-91430	708, 766	Y129C01-16680	706, 764
Y129A00-91451	742, 798	Y129C01-16700	706, 764
Y129A00-91600	742, 798	Y129C01-16710	706, 764
Y129A00-92750	746, 802	Y129C01-16730	706, 764
Y129A01-12800	700, 758	Y129C01-16740	706, 764
Y129A01-12851	700, 758	Y129C01-16800	706, 764
Y129A01-13601	702, 760	Y129C01-18010	716, 774
Y129A01-18210	700, 758	Y129C01-18200	700, 758
Y129A01-22080	718, 776	Y129C01-18220	700, 758
Y129A01-22500	718, 776	Y129C01-33100	778
Y129A01-22900	718, 776	Y129C01-39450	722, 780
Y129A01-22950	718, 776	Y129C01-39610	722, 780
Y129A01-32000	720, 778	Y129C01-55720	732, 790
Y129A01-42000	724, 782	Y129C01-91220	742
Y129A01-49030	720, 778	Y129C01-91221	798
Y129A01-49040	720, 778	Y129C01-91500	742, 798
Y129A01-53100	730, 788	Y129C30-16020	706
Y129A01-91500	742, 798	Y129C30-16030	764
Y129A23-01500	692, 750	Y129C30-21580	718, 776
Y129C00-11310	696, 744, 754, 800	Y129C30-92600	744, 800
Y129C00-12110	700, 744, 758, 800	Y129E00-13620	702, 760
Y129C00-13110	702, 744, 760, 800	Y129E00-16500	764
Y129C00-13800	702, 760	Y129E00-16600	706, 744, 764, 800
Y129C00-13901	702, 760	Y129E00-17300	706, 764
Y129C00-13940	706, 764	Y129E00-17350	706, 764
Y129C00-13950	706, 764	Y129E00-55700	324, 332, 344, 732, 790
Y129C00-14580	714, 772	Y129E00-55710	732, 790
Y129C00-17600	708, 766	Y129E20-16550	706
Y129C00-49610	724, 782	Y129F01-13600	702, 760
Y129C00-49620	726, 784	Y129F01-13630	702, 760
Y129C00-49700	726, 784	Y129F01-13650	702, 760
Y129C00-57000	730, 788	Y171008-03990	720, 720, 778, 778
Y129C00-59030	732, 790	Y171008-77450	734, 792
Y129C00-59500	732, 790	Y171008-77510	734, 792
Y129C00-59810	730, 788	Y171008-77540	734, 792
Y129C00-59820	730, 788	Y171008-77650	734, 792
Y129C00-77820	698, 756	Y171008-77660	734, 792
Y129C00-91200	708, 766	Y171008-77670	734, 792
Y129C00-91232	742, 798	Y171008-77750	734, 792
Y129C01-01331	690, 744, 748, 800	Y171051-01921	690, 748
Y129C01-01560	690, 748	Y198461-52950	160, 172, 736, 794
Y129C01-03050	698, 756	Y22117-100000	704, 762
Y129C01-03080	698, 756	Y22190-080002	692, 744, 750, 800
Y129C01-07910	698, 756	Y22190-100002	722, 744, 780, 800
Y129C01-11351	696, 754	Y22190-120002	724, 744, 782, 800
Y129C01-11700	696, 754	Y22190-140002	700, 746, 758, 802
Y129C01-12060	698, 756	Y22190-220002	694, 746, 752, 802
Y129C01-12100	700, 758	Y22217-100000	704, 762

Y22217-180000	714, 772	Y26216-081052	700, 758
Y22252-000260	718, 776	Y26226-080182	696, 754
Y22351-030010	718, 722, 776, 780	Y26306-080002	700, 702, 702, 704, 706, 708, 716, 736, 758, 760, 760, 762, 764, 766, 774, 794
Y22351-060012	696, 754	Y26306-100002	736, 794
Y22512-070140	714, 718, 772, 776	Y26366-060002	730, 788
Y22857-500100	698, 698, 698, 756, 756, 756	Y26450-060162	694, 698, 714, 752, 756, 772
Y22857-500160	700, 758	Y26450-060252	720, 778
Y23000-022000	722, 780	Y26577-060142	724, 782
Y23000-048000	700, 758	Y26706-100002	704, 762
Y23000-054000	700, 758	Y26776-180002	714, 772
Y23000-060000	698, 700, 756, 758	Y27241-120000	690, 748
Y23000-075000	700, 758	Y27241-400000	696, 754
Y23080-007000	732, 790	Y27243-300000	690, 748
Y23080-015000	732, 790	Y27310-080001	696, 754
Y23297-080061	702, 760	Y28110-100120	556, 746, 802
Y23414-080000	724, 746, 782, 802	Y28110-140170	556, 746, 746, 802
Y23414-100000	722, 746, 780, 802	Y29621-100000	742, 798
Y23414-120000	702, 746, 760, 802	Y29621-200000	742, 798
Y23876-010000	724, 782	Y729402-01650	694, 752
Y24311-000120	698, 746, 756, 802	Y729402-23100	718, 776
Y24316-000160	722, 746, 780, 802	YX2114255110	734, 792
Y24321-000600	720, 746, 778, 802	YX2114555500	734, 792
Y26106-060102	714, 772	YX2114955020	734, 792
Y26106-060122	702, 722, 760, 780	YX2130350900	734, 792
Y26106-060162	698, 708, 756, 766	YX2240410100	734, 792
Y26106-060202	700, 758	YX9490561001	736, 794
Y26106-060302	724, 782	x*****_*****	698, 708, 756, 766
Y26106-060322	734, 792	x*****	672
Y26106-060402	700, 734, 758, 792		
Y26106-060902	700, 758		
Y26106-080122	722, 724, 742, 742, 742, 742, 780, 782, 798, 798, 798, 798		
Y26106-080142	706, 714, 742, 764, 772, 798		
Y26106-080162	692, 692, 694, 698, 724, 726, 750, 750, 752, 756, 782, 784		
Y26106-080202	708, 720, 766, 778		
Y26106-080222	724, 782		
Y26106-080252	694, 696, 698, 702, 730, 752, 754, 756, 760, 788		
Y26106-080302	728, 746, 786		
Y26106-080352	692, 694, 696, 750, 752, 754		
Y26106-080402	692, 714, 750, 772		
Y26106-080452	694, 714, 724, 736, 752, 772, 782, 794		
Y26106-080502	694, 696, 700, 700, 702, 752, 754, 758, 758, 760		
Y26106-080552	720, 736, 778, 794		
Y26106-080602	692, 724, 750, 782		
Y26106-080752	700, 758		
Y26106-080852	692, 750		
Y26106-081004	736, 794		
Y26106-100202	708, 766		
Y26106-100222	706, 764		
Y26106-100652	704, 762		
Y26106-120252	734, 792		
Y26206-100302	694, 752		
Y26216-060202	700, 758		
Y26216-080352	700, 758		