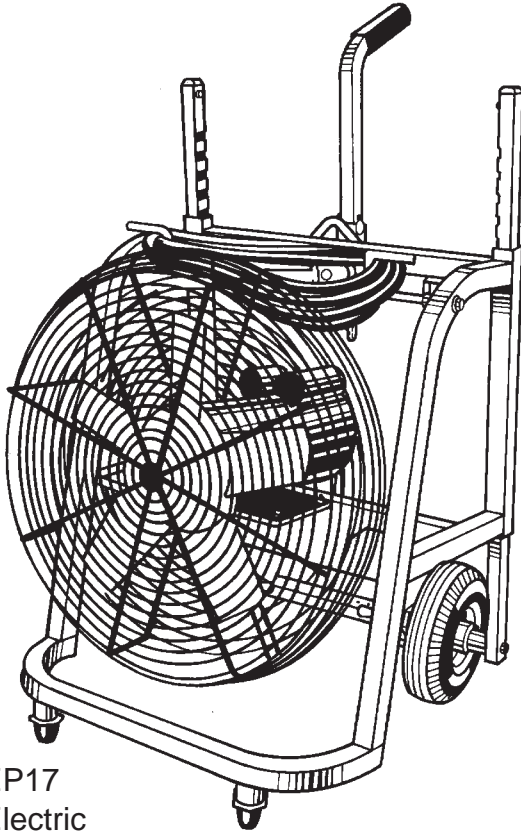
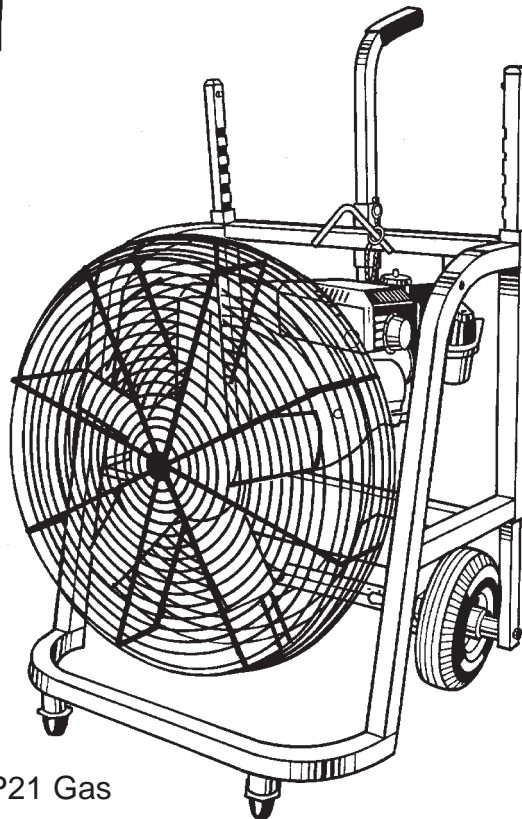


# Service Parts Section EP17 and GP21 Series

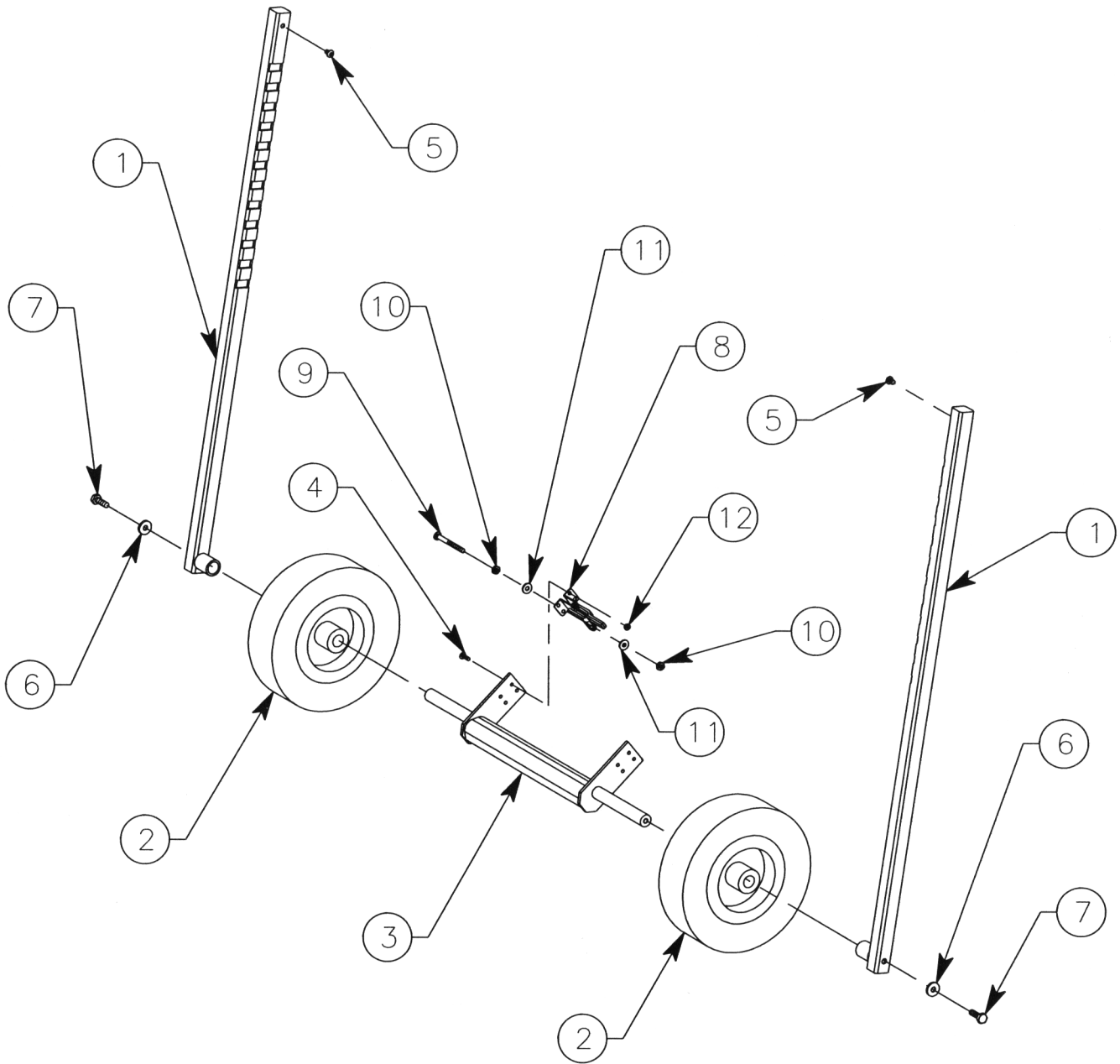


EP17  
Electric



GP21 Gas

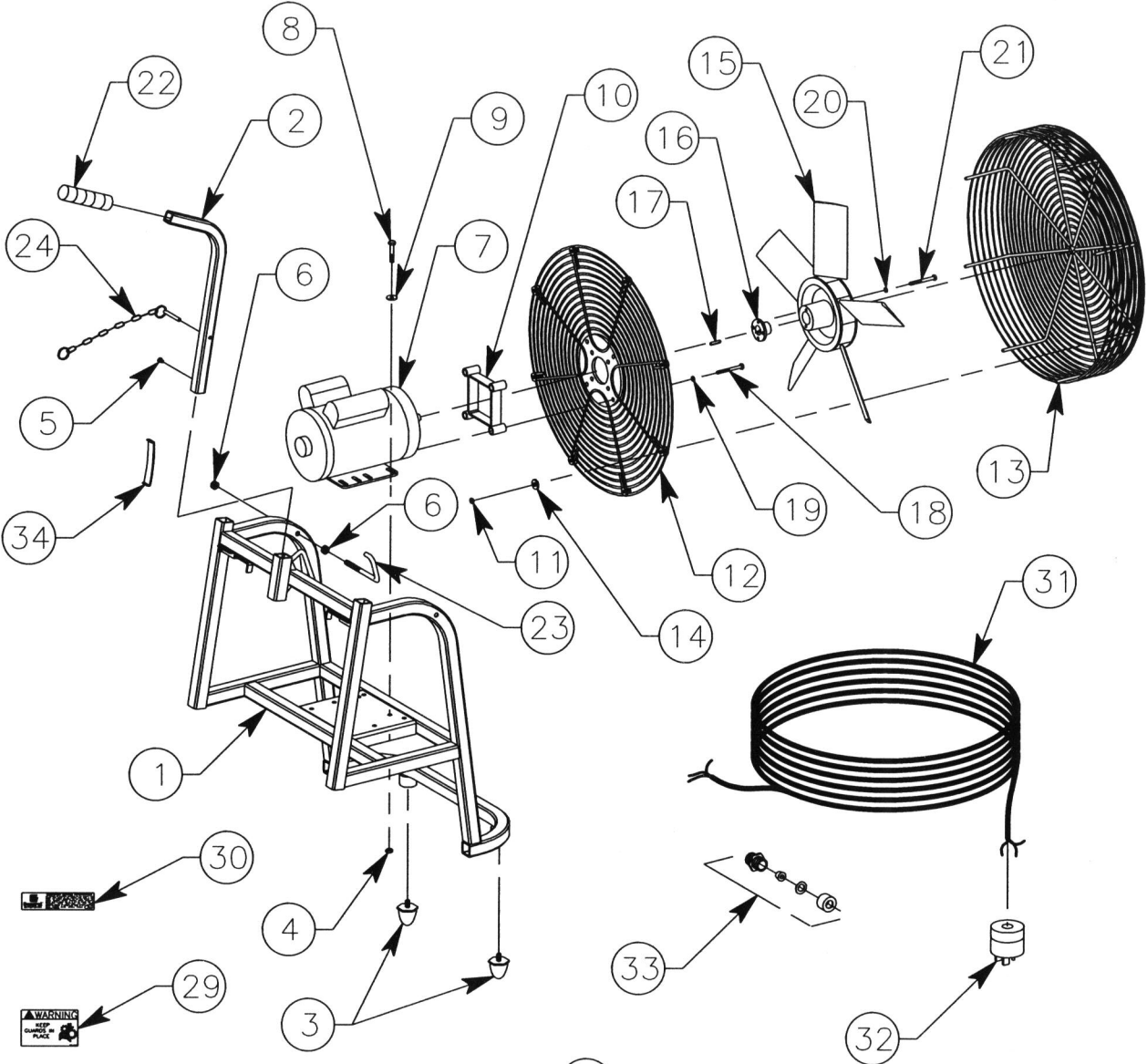
# Axle Assembly EP17 And GP21 Blowers



# Axle Assembly EP17 And GP21 Blowers

| Reference Number | PART NUMBER  | DESCRIPTION  | QTY |
|------------------|--------------|--|-----|
| 1                | GP21-0120    | Leg, Adjustable                                    | 2   |
| 2                | GP21-0070    | Wheel (8")   | 2   |
| 3                | GP21-0050    | Axle   | 1   |
| 4                | 37030500     | Screw, Pan Head, #10 UNC x 5/8", Plated            | 8   |
| 5                | 37040200     | Screw, Pan Head, 1/4-20 UNC x 1/4", Plated         | 2   |
| 6                | 17060000     | Washer, Flat, 3/8", Plated                         | 2   |
| 7                | 15060800     | Screw, Cap, 3/8-16 UNC x 1", Plated                | 2   |
| 8                | CS8-0050-080 | Clamp, Hold-Down                                   | 2   |
| 9                | 34041800     | Screw, Machine, Rd Hd, 1/4-20 UNC x 2-1/4", Plated | 2   |
| 10               | 18040000     | Nut, Hex, 1/4-20 UNC, Plated                       | 4   |
| 11               | 17040000     | Washer, Flat, 1/4", Plated                         | 4   |
| 12               | 53030000     | Nut, Hex, Nylock®, #10 UNC                         | 8   |

# Frame Assembly EP17 Blower



**WARNING** DEPLOY BOTH PARKING BRAKES AS REQUIRED BY PREVAILING JOBSITE AND ENVIRONMENTALLY RELATED CONDITIONS TO KEEP MACHINE FROM PRODUCING UNEXPECTED MOVEMENT IN ANY SPECIFIC DIRECTION.

**WARNING** FOR HEIGHT ADJUSTMENT, SLIDE THE LATCHES TO THE CENTER OF THE UNIT, RAISE OR LOWER THE FRAME TO ALLOW THE CATCH MECHANISM TO PROPERLY REPOSITION AND/OR OPERATIONAL PROCEDURES CAN RESULT IN PROPERTY DAMAGE AND/OR PERSONAL INJURY.

**WARNING** KEEP BODY PARTS AND FOREIGN OBJECTS CLEAR OF THE ROTATING PROPELLER. DO NOT ALLOW FOREIGN MATERIAL ACCUMULATIONS ON THE SURFACES OF THE PROTECTIVE SCREENS. IMPROPER MAINTENANCE AND/OR OPERATIONAL PROCEDURES CAN RESULT IN PROPERTY DAMAGE AND/OR PERSONAL INJURY.

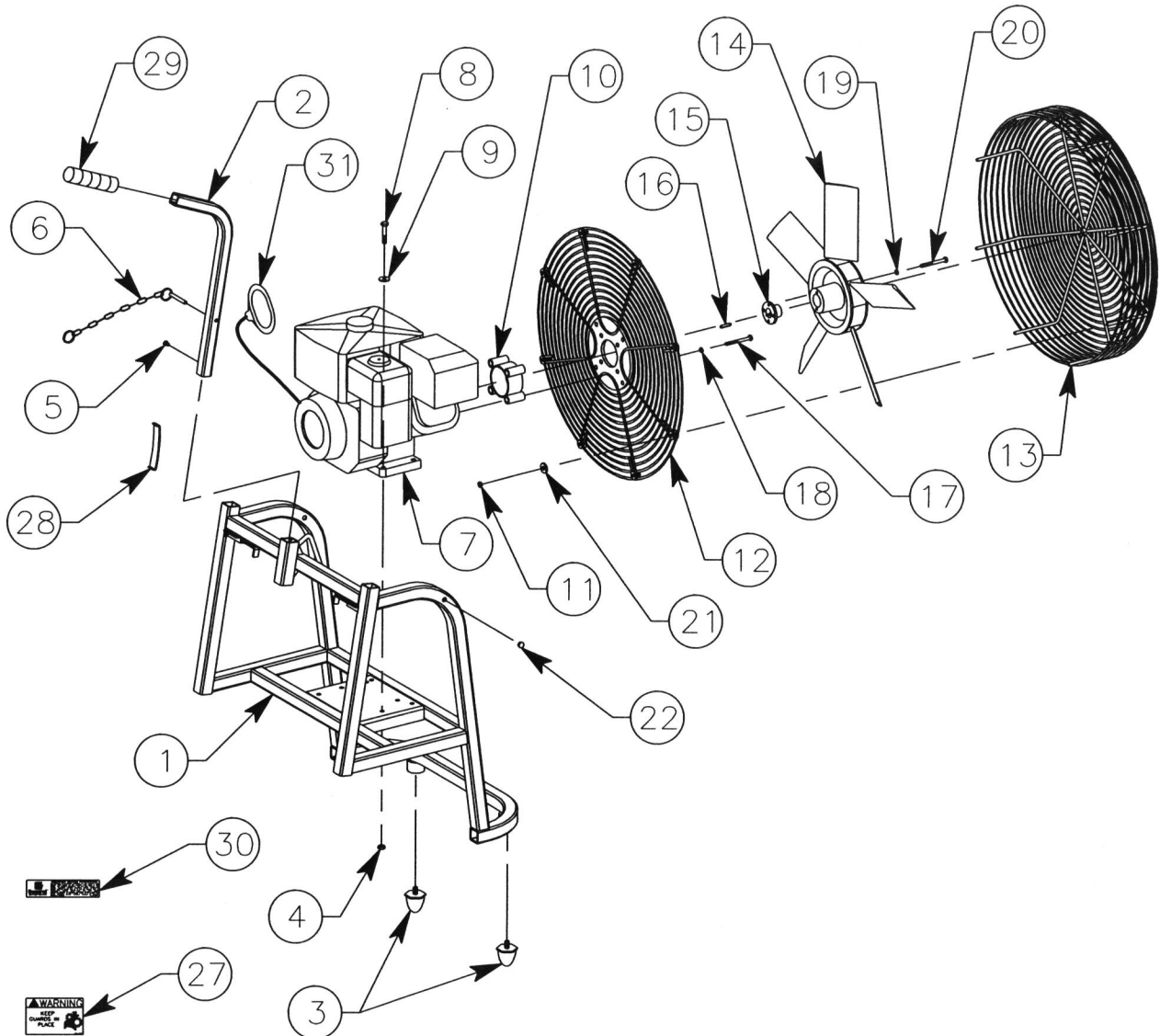
**WARNING** DO NOT CHANGE AIRFLOW DIRECTION, ADJUST HEIGHT OR MOVE THIS UNIT WITH THE POWER SOURCE PLUGGED INTO THE DISCONNECT SWITCH. IMPROPER MAINTENANCE AND/OR OPERATIONAL PROCEDURES CAN RESULT IN PROPERTY DAMAGE AND/OR PERSONAL INJURY.



# Frame Assembly EP17 Blowers

| Reference Number | PART NUMBER   | DESCRIPTION                                | QTY |
|------------------|---------------|--|-----|
| 1                | GP21-0100     | Frame Weldment                             | 1   |
| 2                | GP21-0080     | Handle                                     | 1   |
| 3                | GP21-0040     | Bumper, Rubber                             | 2   |
| 4                | 53050000      | Nut, Hex, Nylock®, 5/16-18 UNC, Plated     | 4   |
| 5                | 37040200      | Screw, Pan Head, 1/4-20 UNC x 1/4", Plated | 1   |
| 6                | 86060000      | Nut, Hex, Flange, 3/8-16 UNC, Plated       | 4   |
| 7                | EP17-0030     | Motor, Electric (1-1/2 HP)                 | 1   |
| 8                | 15050600      | Screw, Cap, 5/16-18 UNC x 1-3/4", Plated   | 4   |
| 9                | 17040000      | Washer, Flat, 1/4", Plated                 | 4   |
| 10               | EP17-0130     | Spacer, Shroud                             | 1   |
| 11               | 53040000      | Nut, Hex, Nylock®, 1/4-20 UNC, Plated      | 8   |
| 12               | GP21-0030     | Shroud, Back                               | 1   |
| 13               | GP21-0020     | Shroud, Front                              | 1   |
| 14               | 49040000      | Washer, Fender, 1/4", Plated               | 1   |
| 15               | EP17-0090     | Fan, 17" Diameter                          | 1   |
| 16               | SP8-0360      | Hub, Center                                | 1   |
| 17               | 63031200      | Key, Square, 3/16" x 3/16" x 1-1/2"        | 1   |
| 18               | 15062400      | Screw, Cap, 3/8-16 UNC x 3", Plated        | 4   |
| 19               | 16060000      | Washer, Lock, 3/8", Plated                 | 4   |
| 20               | 16040000      | Washer, Lock, 1/4", Plated                 | 2   |
| 21               | 15042400      | Screw, Cap, 1/4-20 UNC x 3", Plated        | 2   |
| 22               | GP21-0150     | Grip, Handle                               | 1   |
| 23               | EP17-0150     | Holder, Cord                               | 2   |
| 24               | GP21-0140     | Pin and Lanyard                            | 1   |
| 25               | EP17-5010     | Decal, General, EP21                       | 1   |
| 26               | GP21-5020     | Decal, Warning                             | 1   |
| 27               | GP21-5030     | Decal, Warning                             | 1   |
| 28               | GP21-5040     | Decal, Warning                             | 1   |
| 29               | SP8-5050      | Decal, Warning                             | 1   |
| 30               | SG24-5072     | Decal, Assistance                          | 1   |
| 31               | EP17-0180     | Cord, Electric                             | 1   |
| 32               | 5266-C HUBBEL | Plug, Electrical, Male                     | 1   |
| 33               | CG-5050       | Fitting, Bulkhead                          | 1   |
| 34               | GP21-0170     | Spring, Handle                             | 1   |
| 35               | GP21-5050     | Decal, Warning                             | 1   |

# Frame Assembly GP21 Blower



**WARNING** DEPLOY BOTH PARKING BRAKES AS REQUIRED BY PREVAILING JOBSITE AND ENVIRONMENTALLY RELATED CONDITIONS TO KEEP MACHINE FROM PRODUCING UNEXPECTED MOVEMENT IN ANY SPECIFIC DIRECTION.

**WARNING** FOR HEIGHT ADJUSTMENT SLIDE THE LADDER TO THE CENTER OF THE UNIT. RAISE OR LOWER THE FRAME TO ALLOW THE CATCH MECHANISM TO PROPERLY RESURFON ITSELF INTO THE DESIRED SLOT. IMPROPER MAINTENANCE AND/OR OPERATIONAL PROCEDURES CAN RESULT IN PROPERTY DAMAGE AND/OR PERSONAL INJURY.

**WARNING** KEEP BODY PARTS AND FOREIGN OBJECTS CLEAR OF THE ROTATING PROPELLER. DO NOT ALLOW FOREIGN MATERIAL ACCUMULATIONS ON THE SURFACES OF THE PROTECTIVE SCREENS. IMPROPER MAINTENANCE AND/OR OPERATIONAL PROCEDURES CAN RESULT IN PROPERTY DAMAGE AND/OR PERSONAL INJURY.

**WARNING** DO NOT CHANGE AIRFLOW DIRECTION. ADJUST HEIGHT OR MOVE THIS UNIT WITH THE POWER SOURCE IN OPERATION. DYNAMIC FORCES CREATED BY THE PROPELLER CAN REDUCE PROPER CONTROL, RESULTING IN PROPERTY DAMAGE AND/OR PERSONAL INJURY.

**General® GP21**  
POSITIVE PRESSURE VENTILATOR

# Frame Assembly GP21 Blower

| Reference Number | PART NUMBER | DESCRIPTION                                | QTY |
|------------------|-------------|--|-----|
| 1                | GP21-0100   | Frame Weldment                             | 1   |
| 2                | GP21-0080   | Handle                                     | 1   |
| 3                | GP21-0040   | Bumper, Rubber                             | 2   |
| 4                | 53050000    | Nut, Hex, Nylock®, 5/16-18 UNC, Plated     | 4   |
| 5                | 37040200    | Screw, Pan Head, 1/4-20 UNC x 1/4", Plated | 1   |
| 6                | GP21-0140   | Pin and Lanyard                            | 1   |
| 7                | GX160K1QXC9 | Engine, Honda (5.5 HP)                     | 1   |
| 8                | 15051400    | Screw, Cap, 5/16-18 UNC x 1-3/4", Plated   | 4   |
| 9                | 17040000    | Washer, Flat, 1/4", Plated                 | 4   |
| 10               | GP21-0130   | Spacer, Shroud                             | 1   |
| 11               | 53040000    | Nut, Hex, Nylock®, 1/4-20 UNC, Plated      | 8   |
| 12               | GP21-0030   | Shroud, Back                               | 1   |
| 13               | GP21-0020   | Shroud, Front                              | 1   |
| 14               | GP21-0090   | Fan, Gas                                   | 1   |
| 15               | GP21-0570   | Hub, Center                                | 1   |
| 16               | 63031200    | Key, Square, 3/16" x 3/16" x 1-1/2"        | 1   |
| 17               | GP21-0110   | Screw, Cap, 5/16-24 UNF x 2-1/2", Plated   | 4   |
| 18               | 16050000    | Washer, Lock, 5/16", Plated                | 4   |
| 19               | 16040000    | Washer, Lock, 1/4", Plated                 | 2   |
| 20               | GP21-0060   | Screw, Cap, 1/4-20 UNC x 3", Plated        | 2   |
| 21               | 49040000    | Washer, Fender, 1/4", Plated               | 8   |
| 22               | 2633        | Plug, Hole (7/16" Diameter)                | 4   |
| 23               | GP21-5010   | Decal, General GP21                        | 1   |
| 24               | GP21-5020   | Decal, Warning                             | 1   |
| 25               | GP21-5030   | Decal, Warning                             | 1   |
| 26               | GP21-5040   | Decal, Warning                             | 1   |
| 27               | SP8-5050    | Decal, Warning                             | 1   |
| 28               | GP21-0170   | Spring, Handle                             | 1   |
| 29               | GP21-0150   | Grip, Handle                               | 1   |
| 30               | SG24-5070   | Decal, Assistance                          | 1   |
| 31               | GP21-0160   | Rope, Pull (Mitten Style)                  | 1   |
| 32               | GP21-5050   | Decal, Warning                             | 1   |