

TLB-425 **ESL**

SPECIFICATIONS
ALLMAND TLB-425 *ESL*

SPECIFICATIONS

Engine	Diesel: Kubota D1105, 25 hp, liquid-cooled
Transmission	Heavy-duty servo-controlled hydrostatic (65 hp rated)
Drive Motor	Axial piston motor
Power Steering	Load-sensing hydraulic steering with balanced steering cylinder
Differential	Off-highway, planetary, limited slip
Speed Range	0 to 5.5 mph (0 to 8.8 km/h)
Aux. Hyd. Output	8 gpm @ 2,400 psi
Tires	Front: 23 x 10.5 - 12 Rear: 31 x 15.5 - 15
Capacities	Fuel: 12 gal. (45.5 L) Hydraulic oil: 12 gal. (45.5 L)
Loader	Single-lever joystick with bucket float Bucket capacity: 1/2 cu. yd. (.4 cu. m) Breakout force: 3,400 lbs. (1,542 kg) Lift capacity: 2,100 lbs. (952 kg)
Brakes	Hydrostatic service brake Internal drum parking brake
Backhoe	<i>ESL™</i> design Digging force: 4,611 lbs. (2,092 kg) at bucket 2,424 lbs. (1,099 kg) at dipper Digging depth: 8 ft. 8 in. (2.7 m) (8 ft. 4 in. [2.5 m] 2 ft. flat bottom) Buckets: 10 in. (25.4 cm), 12 in. (30.5 cm), 16 in. (std.) (40.6 cm), 18 in. (45.7 cm), 24 in. (61 cm), 36 in. (91.4 cm) 180-degree swing arc with cushioned swing cylinders Steel grouser pads Stabilizers extend to 10 in. (25.4 cm) below grade
Transportation Length	13 ft. 7 in. (4.1 m)
Weight	4,320 lbs. (1,960 kg)



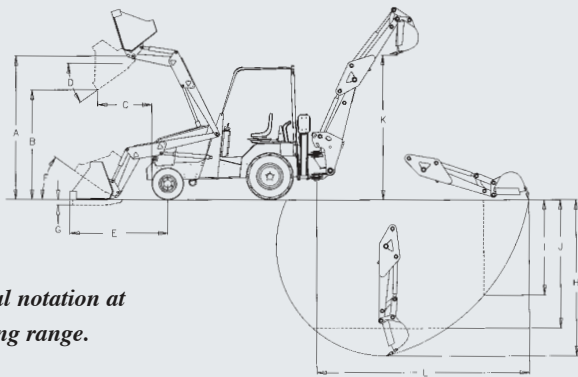
WORKING RANGE

- A. Maximum lift height (bucket pivot): 90 in. (2.3 m)
- B. Clearance with bucket dumped: 71 in. (1.8 m)
- C. Reach @ maximum height: 30 in. (76.2 cm)
- D. Bucket dump angle: 30 degrees
- E. Reach @ grade: 49.5 in. (1.3 m)
- F. Bucket rollback angle: 30 degrees
- G. Loader digging depth: 3.3 in. (8.3 cm)
- H. Backhoe digging depth: 8 ft. 8 in. (2.7 m)
(8 ft. 4 in. [2.5 m] 2 ft. flat bottom)
- I. Straight wall digging depth: 3 ft. 2 in. (96.5 cm)
- J. Digging depth (8 ft. flat bottom): 6 ft. 7 in. (2 m)
- K. Maximum loading height: 7 ft. 7 in. (2.3 m)
- L. Reach from swing post: 11 ft. 3 in. (3.4 m)

DIMENSIONS

Length	16 ft. 10 in. (5.1 m)
Height	84.5 in. (2.2 m) (ROPS)
Width	56 in. (1.4 m)
Wheelbase	65 in. (1.7 m)
Bucket width	56 in. (1.4 m)
Ground clearance	11 in. (28 cm)

Photos shown may include non-standard equipment. Specifications are subject to change without prior notice.



See alphabetical notation at right for working range.

Sold and serviced by:



Reliability,
performance,
and integrity
since 1938.

Made in USA

056KN2.5

Allmand™

Allmand Bros. Inc.
P.O. Box 888
Holdrege, NE 68949
800-562-1373
308-995-4495
Fax: 308-995-5887
www.allmand.com